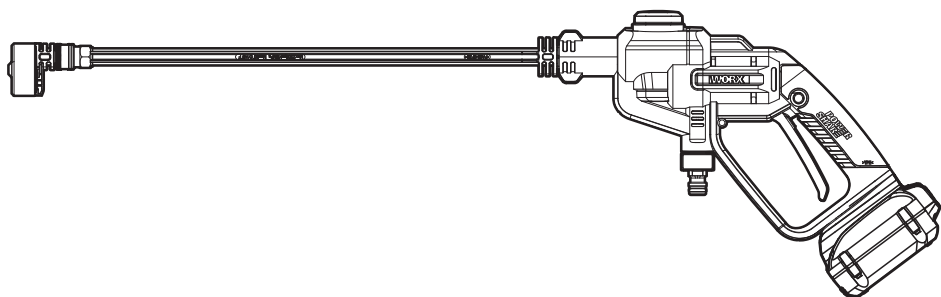


WORX®



HYDROSHOT™

Cordless Portable Power Cleaner	EN	P02
Nettoyant Electrique Portable Sans Fil	F	P16
Lavador A Presión Portátil Inalámbrico	ES	P24

**Cordless Portable Power
Cleaner**

**WG620 WG620.1 WG620.3
WG620.9**

PRODUCT SAFETY



WARNING: Read all safety warnings and all instructions. Failure to follow the warnings and instructions may result in electric shock, fire and/or serious injury.

Save all warnings and instructions for future reference.



WARNING: This product can expose you to chemicals including lead and Di(2-ethylhexyl)phthalate (DEHP) which are known to the State of California to cause cancer and birth defects or other reproductive harm. For more information go to www.P65Warnings.ca.gov.

IMPORTANT SAFETY INSTRUCTIONS

WARNING – When using this product basic precautions should always be followed, including the following:

1. Read all the instructions before using the product.
2. To reduce the risk of injury, close supervision is necessary when a product is used near children.
3. Know how to stop the product and bleed pressures quickly. Be thoroughly familiar with the controls.
4. Stay alert – watch what you are doing.
5. Do not operate the product when fatigued or under the influence of alcohol or drugs.
6. Keep operating area clear of all persons
7. Do not overreach or stand on unstable support. Keep good footing and balance at all times.
8. Follow the maintenance instructions specified in the manual.
9. **WARNING** – Risk of injection or injury– do not direct discharge stream at persons.
10. Do not spray electrical apparatus and wiring.

SAVE THESE INSTRUCTIONS

FOR ALL BATTERY – OPERATED GARDENING APPLIANCES

1. Prevent unintentional starting. Ensure the switch is in the off-position before connecting to battery pack, picking up or carrying the appliance. Carrying the appliance with your finger on the switch or energizing appliance that have the switch on invites accidents.
2. Disconnect the battery pack from the appliance before making any adjustments, changing accessories, or storing appliance. Such preventive safety measures reduce the risk of starting the appliance accidentally.
3. Recharge only with the charger specified by the manufacturer .A charger that is suitable for one type of battery pack may create a risk of fire when used with another battery pack.
4. Use appliances only with specifically designated battery packs. Use of any other battery packs may create a risk of injury and fire.
5. When battery pack is not in use, keep it away




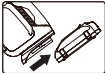


from other metal objects, like paper clips, coins, keys, nails, screws or other small metal objects, that can make a connection from one terminal to another. Shorting the battery terminals together may cause burns or a fire.

6. Under abusive conditions, liquid may be ejected from the battery; avoid contact. If contact accidentally occurs, flush with water. If liquid contacts eyes, additionally seek medical help. Liquid ejected from the battery may cause irritation or burns.
7. Do not use a battery pack or appliance that is damaged or modified. Damaged or modified batteries may exhibit unpredictable behavior resulting in fire, explosion or risk of injury.
8. Do not expose a battery pack or appliance to fire or excessive temperature. Exposure to fire or temperature above 130°C (265°F) may cause explosion.
9. Follow all charging instructions and do not charge the battery pack or appliance outside of the temperature range specified in the instructions. Charging improperly or at temperatures outside of the specified range may damage the battery and increase the risk of fire.
10. Have servicing performed by a qualified repair person using only identical replacement parts. This will ensure that the safety of the product is maintained.
11. Do not modify or attempt to repair the appliance or the battery pack (as applicable) except as indicated in the instructions for use and care.




SAFETY WARNINGS FOR BATTERY PACK

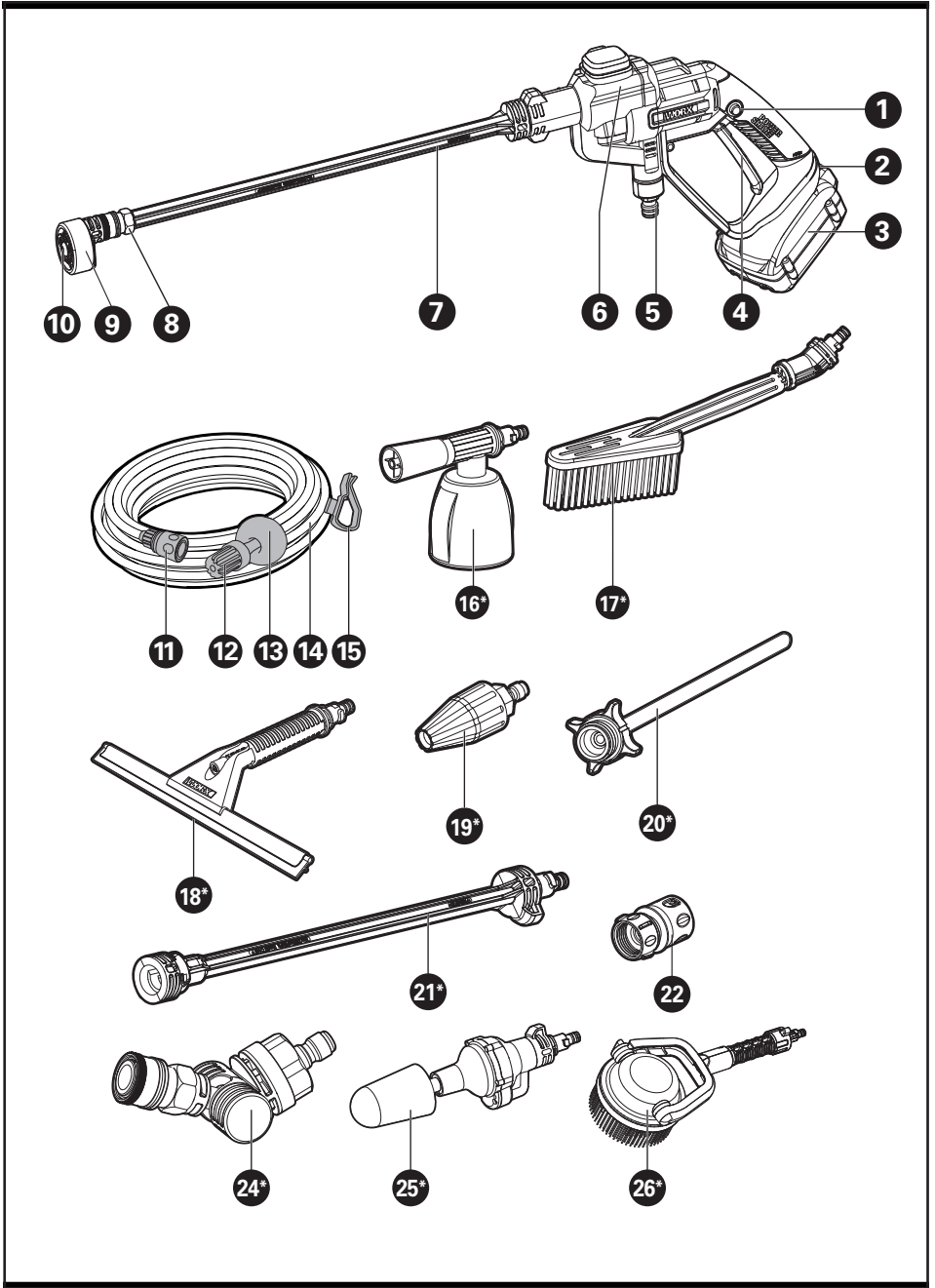
- a) **Do not dismantle, open or shred battery pack.**
- b) **Do not expose battery pack to heat or fire. Avoid storage in direct sunlight.**
- c) **Do not short-circuit a battery pack. Do not store battery packs haphazardly in a box or drawer where they may short-circuit each other or be short-circuited by other metal objects.** When battery pack is not in use, keep it away from other metal objects, like paper clips, coins, keys, nails, screws or other small metal objects, that can make a connection from one terminal to another. Shorting the battery terminals together may cause burns or fire.
- d) **Do not remove battery pack from its original packaging until required for use.**
- e) **Do not subject battery pack to mechanical shock.**
- f) **In the event of battery leaking, do not allow the liquid to come in contact with the skin or eyes. If contact has been made, wash the affected area with copious amounts of water and seek medical advice.**

- g) **Observe the plus (+) and minus (-) marks on the battery back and equipment and ensure correct use.**
- h) **Do not use any battery pack which is not designed for use with the equipment.**
- i) **Keep battery pack out of the reach of children.**
- j) **Seek medical advice immediately if a cell or battery has been swallowed.**
- k) **Always purchase the battery pack recommended by the device manufacturer for the equipment.**
- l) **Keep battery pack clean and dry.**
- m) **Wipe the battery pack terminals with a clean dry cloth if they become dirty.**
- n) **Battery pack needs to be charged before use. Always use the correct charger and refer to the manufacturer's instructions or equipment manual for proper charging instructions.**
- o) **Do not leave battery pack on prolonged charge when not in use.**
- p) **After extended periods of storage, it may be necessary to charge and discharge the battery pack several times to obtain maximum performance.**
- q) **Battery pack gives its best performance when it is operated at normal room temperature (20 °C ± 5 °C).**
- r) **When disposing of battery packs, keep battery packs of different electrochemical systems separate from each other.**
- s) **Recharge only with the charger specified by Worx. Do not use any charger other than that specifically provided for use with the equipment.** A charger that is suitable for one type of battery pack may create a risk of fire when used with another battery pack.
- t) **Retain the original product literature for future reference.**
- u) **Use only the battery pack in the application for which it was intended.**
- v) **Remove the battery pack from the equipment when not in use.**
- w) **Dispose of properly.**

	<p>call2recycle®</p> <p>POSITEC Inc. has established a partnership with the RBRC Corporation to recycle any Positec batteries with the RBRC-call2recycle seal. For environmental protection, please do not discard batteries in the trash. After the batteries' life cycle is ended, then please call 1-800-822-8837 for a free service that will properly dispose of the battery.</p>
	<p>Do not burn</p>
	<p>Batteries may enter water cycle if disposed improperly, which can be hazardous for ecosystem. Do not dispose of waste batteries as unsorted municipal waste.</p>
	<p>Remove battery from the socket before carrying out any adjustment, servicing or maintenance.</p>
	<p>Unlock</p>
	<p>Lock</p>

SYMBOLS

	<p>To reduce the risk of injury, user must read instruction manual.</p>
	<p>Warning</p>
 Li-Ion	<p>Li-Ion battery, battery must be recycled.</p>



COMPONENT LIST

1. LOCK-OFF SWITCH
2. BATTERY PACK RELEASE BUTTON
3. BATTERY PACK *
4. ON/OFF SWITCH LEVER
5. HOSE ADAPTER
6. POWER NOZZLE
7. PRESSURE CLEANING LANCE
8. NOZZLE ADAPTER
9. MULTI-SPRAY NOZZLE
10. FIXING NAIL
11. HOSE CONNECTOR
12. HOSE FILTER
13. FLOATER
14. DRAW HOSE
15. HOSE CLIP
16. SOAP BOTTLE*
17. BRUSH*
18. WINDOW SQUEEGEE WITH WATER SPRAYER *
19. TURBO NOZZLE*
20. BOTTLE CAP CONNECTOR
21. EXTENSION LANCE*
22. QUICK CONNECT ADAPTER
23. FILTER SCREEN (SEE FIG. P2)
24. PIVOTING QUICK CONNECT ADAPTER*
25. ROTARY CLEANING BRUSH*
26. AUTO/BOAT POWER SCRUBBER*/ HARD SURFACE POWER SCRUBBER*

*Not all the accessories illustrated or described are included in standard delivery. Refer to the ACCESSORIES chart to review the options that are included with various product models. Visit worx.com to learn more about these available accessory options.

TECHNICAL DATA

	WG620	WG620.1	WG620.3	WG620.9
Voltage	20 V \equiv Max.**			
Cleaning mode	max. 320 psi (garden hose connected)			
Max. water flow rate	0.5 gpm			
Max. inlet water pressure	87 psi (0.6 MPa)			
Suction height	max. 5 ft.			
Water temperature	max. 122 degrees Fahrenheit			
Weight (with lance)	4.2 lbs(1.9 kg)	4.2 lbs(1.9 kg)	4.2 lbs(1.9 kg)	2.7 lbs(1.2 kg)

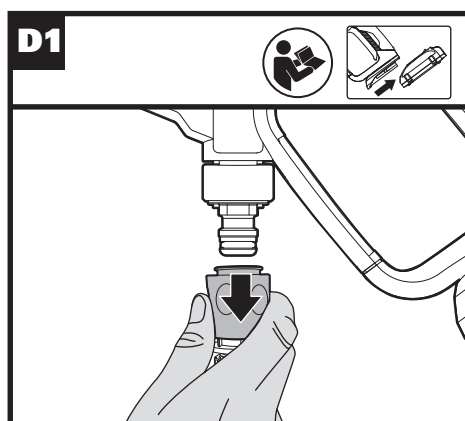
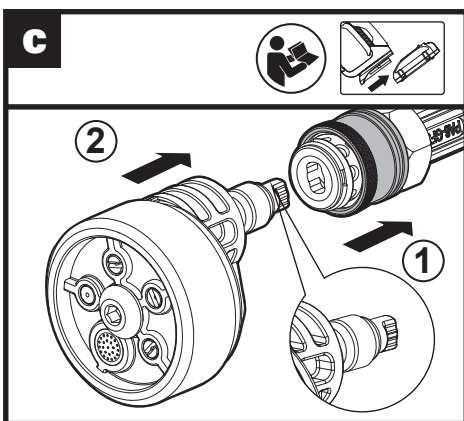
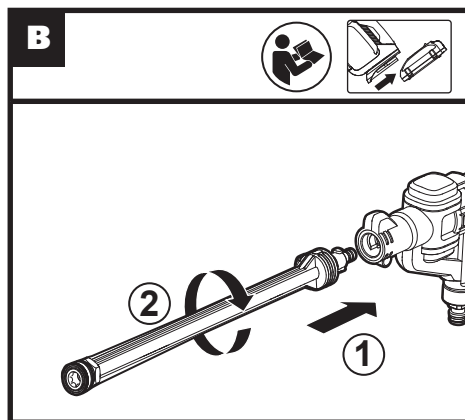
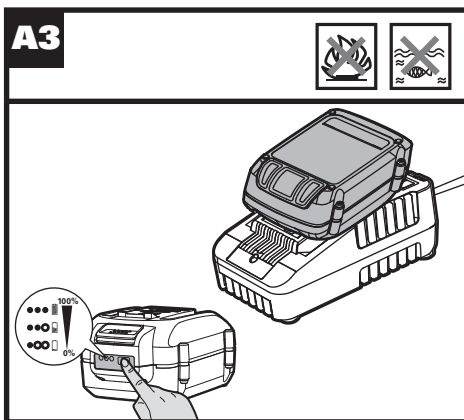
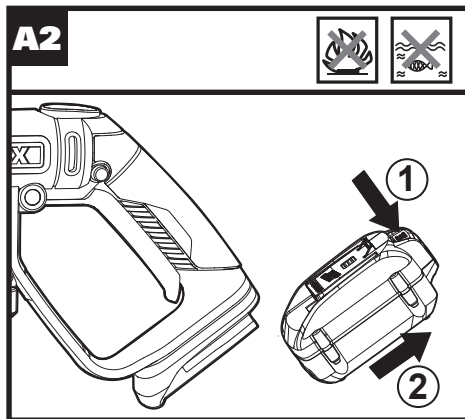
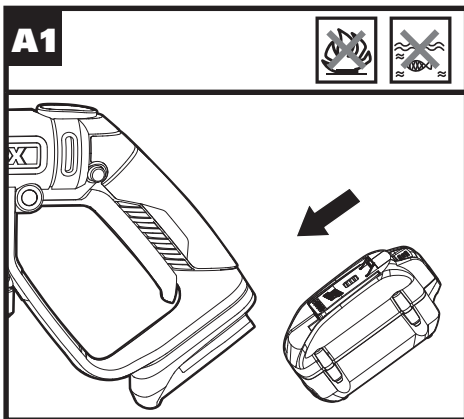
**Voltage measured without workload. Initial battery voltage reaches maximum of 20 volts. Nominal voltage is 18 volts.

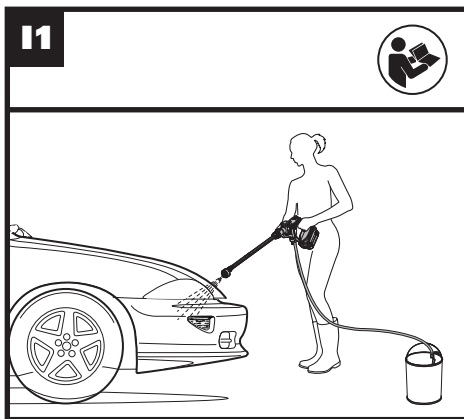
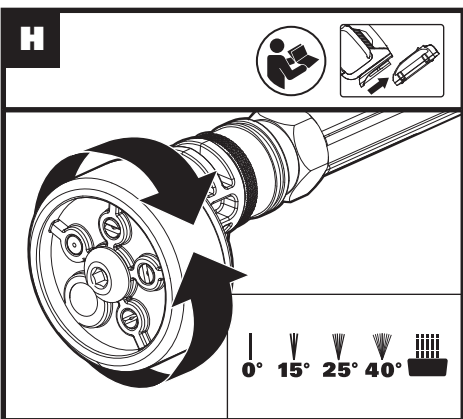
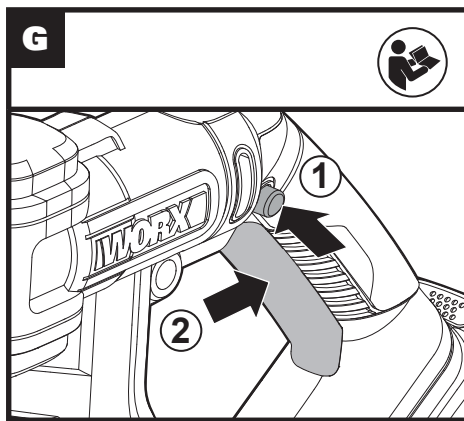
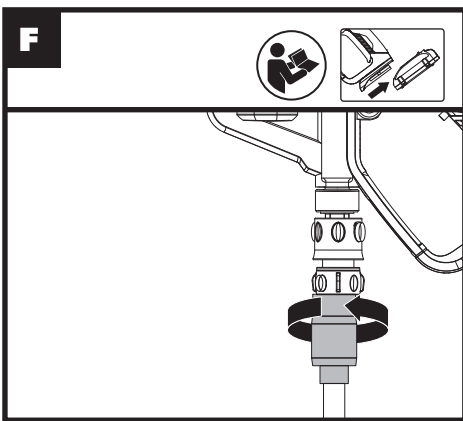
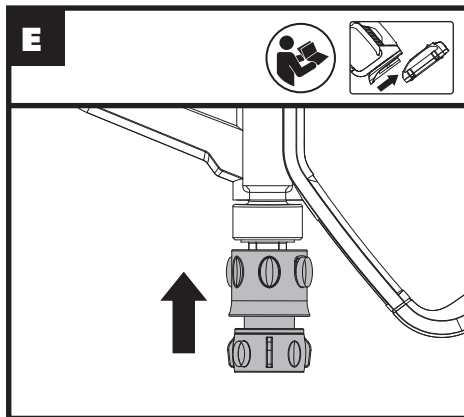
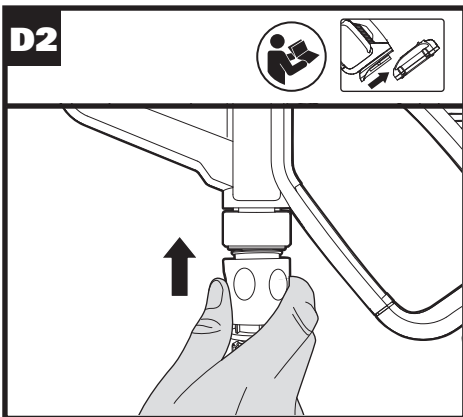
ACCESSORIES

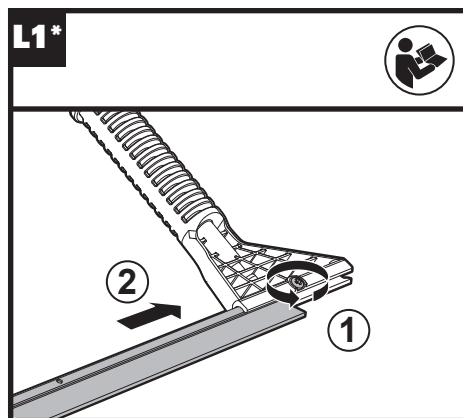
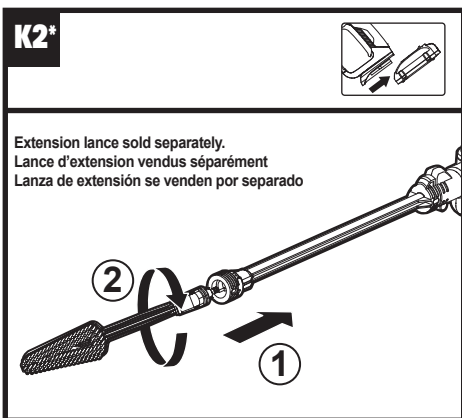
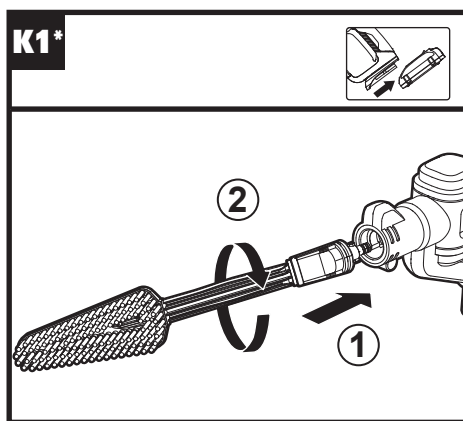
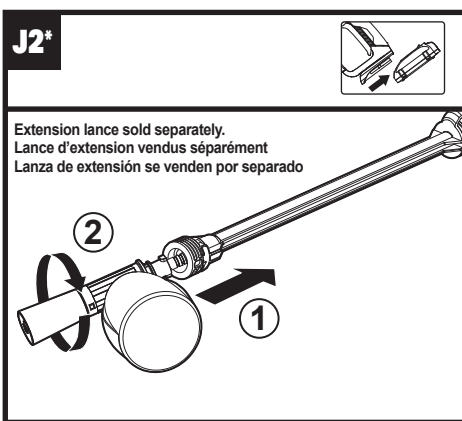
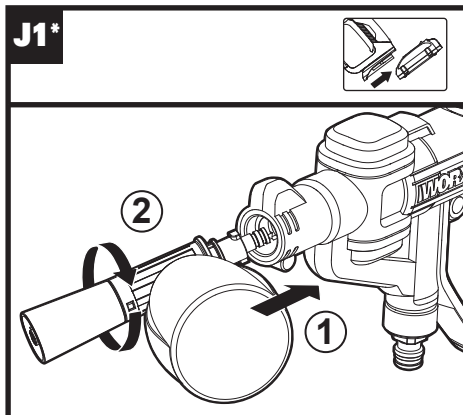
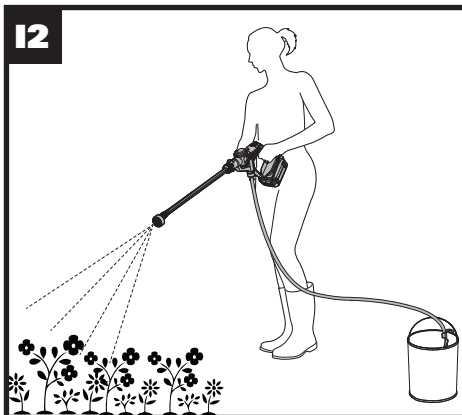
	WG620	WG620.1	WG620.3	WG620.9
Draw hose 20 ft. (6 m)	1	1	1	1
Pressure cleaning lance	1	1	1	1
Multi-spray nozzle	1	1	1	1
Window squeegee with water sprayer (WA4050)	/	1	/	/
Brush (WA4048)	/	1	/	/
Soap bottle (WA4036)	/	1	1	/
Bottle cap connector (WA4038)	1	1	1	1
Quick connect adapter (WA4017)	1	1	1	1
Battery pack(WA3578)	1	1	1	/
Charger(WA3881)	1	1	1	/
Extension lance (WA4012)	/	/	/	/
Turbo nozzle (WA4037)	/	/	/	/
Pivoting quick connect adapter (WA4039)	/	/	/	/
Rotary cleaning brush (WA4042)	/	/	1	/
Auto/Boat power scrubber (WA1820)	/	/	1	/
Hard Surface power scrubber (WA1821)	/	/	/	/

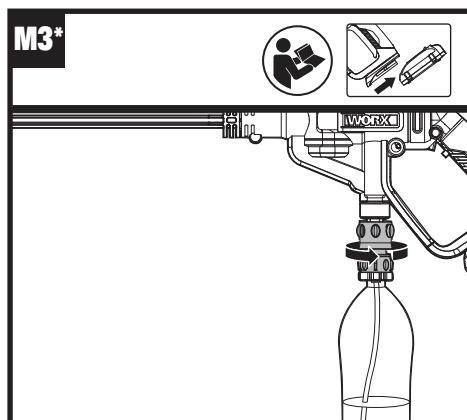
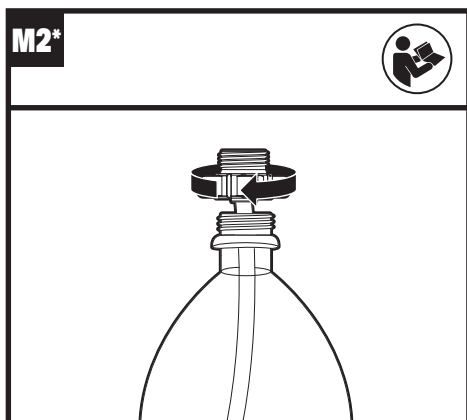
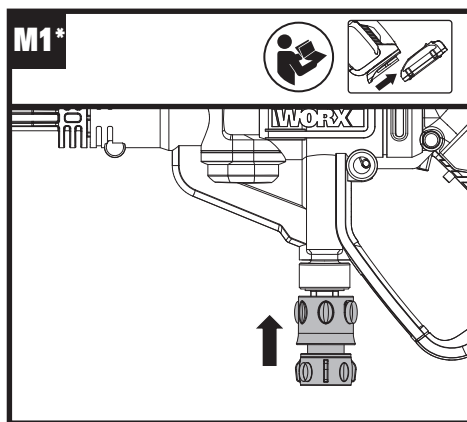
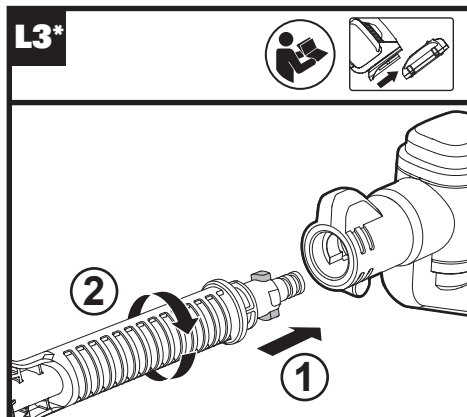
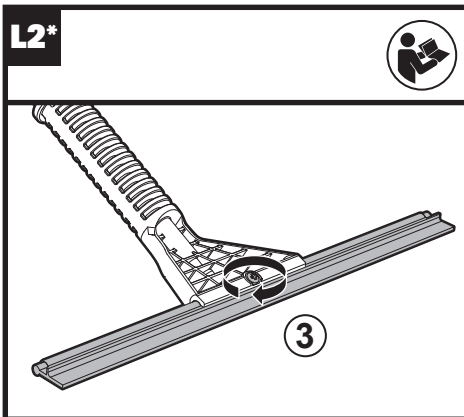
Only use the appropriate accessories intended for this tool. Accessory information can be found on the product packaging, at a Worx dealer or on our website at www.worx.com.

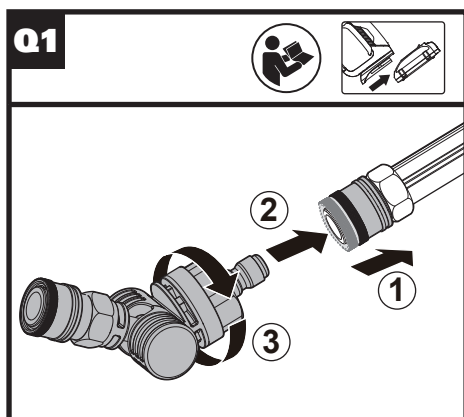
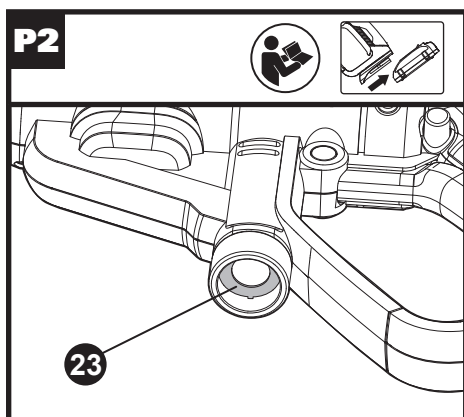
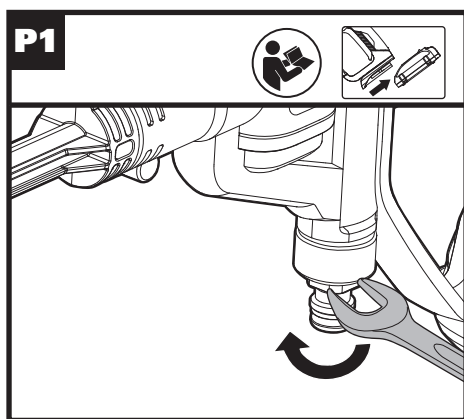
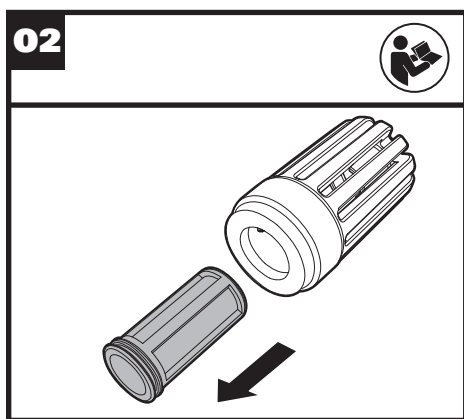
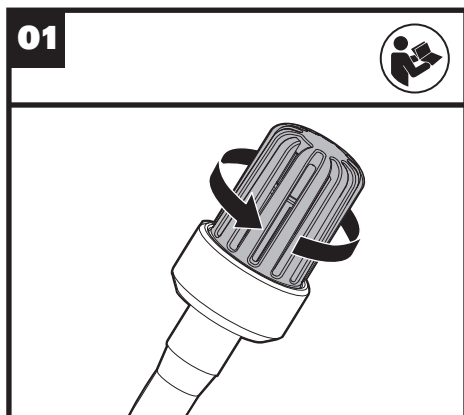
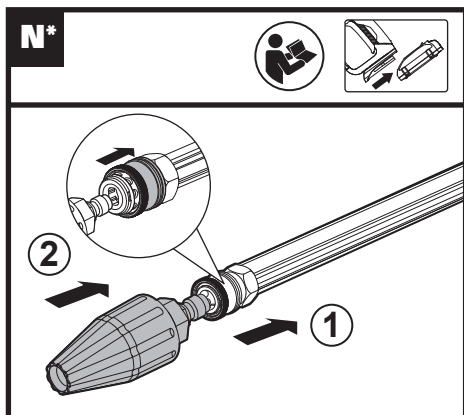
We recommend that you purchase your accessories listed in the above list from the same store that sold you the tool. Refer to the accessory packaging for further details. Store personnel can assist you and offer advice.

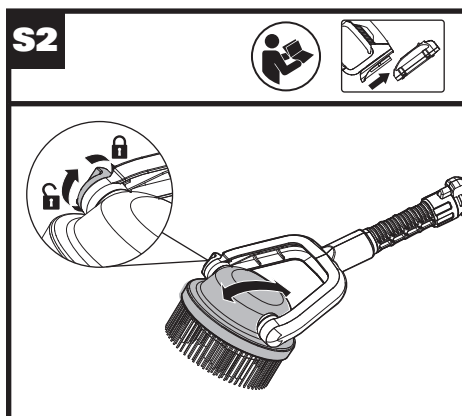
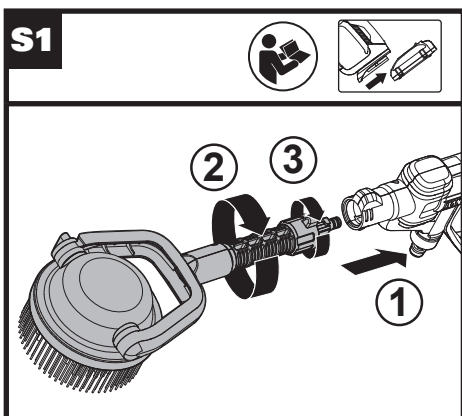
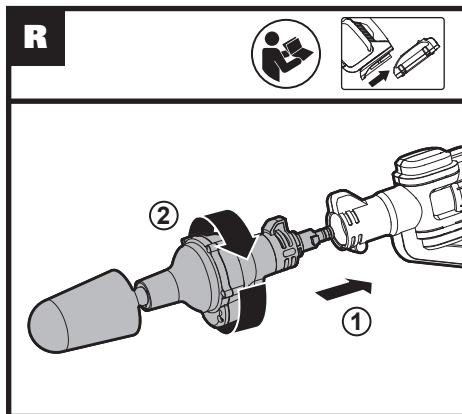
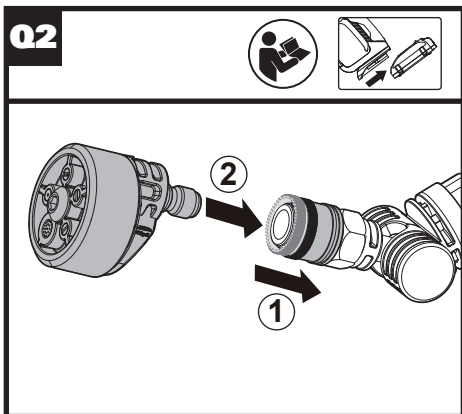













OPERATING INSTRUCTIONS



NOTE: Before using the tool, read the instruction book carefully.

ASSEMBLY & OPERATION

ACTION	FIGURE
BEFORE OPERATION	
Installing the battery pack	See Fig. A1
Removing the battery pack	See Fig. A2
Charging the battery pack More details can be found in WA3578 manual	See Fig. A3
OPERATION	
Attaching pressure cleaning lance to the power nozzle NOTE: When attaching, align the two projections on the lance with the grooves of the power nozzle as shown in Fig. B. NOTE: The highest pressure is 320 psi. It is suitable for removing strong stains.	See Fig. B
Attaching the multi-spray nozzle NOTE: when attaching, rotating the nozzle left and right to make sure the nozzle fully seated into position and gently pulling it to make sure it is locked into position securely.	See Fig. C
Attaching the draw hose to the power nozzle NOTE: After the draw hose is attached, check the connection by gently pulling upon the draw hose. It should not be pulled off.	See Fig. D1, D2
Attaching your own water hose (optional) 1. Attach the quick connect adapter 2. Attach the home garden hose with suitable connectors NOTE: Except for the draw hose supplied, you can also connect the power nozzle to your own water hose with suitable connectors. NOTE: Check whether the filter screen is missing before retightening the hose adapter. (Fig. P1, P2) When retightening the hose adapter, please tighten securely. Otherwise, it may not draw any water for proper operation. WARNING: It is not recommended to connect the draw hose to your garden hose or your home tap.	See Fig. E, F
Start NOTE: At the first use, you need to empty the air in hose, place the power nozzle below waist level (<5 ft/1.5 m), then attach the extension lance and set it at high pressure. Do not start working until the water goes up along the hose and sprays out. This could take up to 30 seconds or more depending on the fresh water source.	See Fig. G
Selecting the nozzle pattern NOTE: Choose a suitable nozzle pattern according to your work. Spray patterns 0°, 15°, 25° and 40° are applicable for cleaning, and the spray pattern with the symbol  is best suitable for watering. WARNING: Do not shift the nozzle pattern when the tool is powered on.	See Fig. H
Cleaning WARNING: Do not connect the machine to water supplies that are dirty, rusty, muddy, or corrosive. (Including window cleaning liquids, plant foods, or fertilizers etc.) NOTE: Not recommended for use with salt water, immediately rinse with fresh water for proper maintenance.	See Fig. I1
Watering	See Fig. I2

ATTACHMENT OF ACCESSORIES

A number of accessories have been supplied with this product and are required for use in different applications. **Do not attempt to use the cleaner with no lance or accessories attached.**

1. Soap bottle (WA4036, sold separately)

Soap bottle provides detergent suds for deeper cleaning of dirt. It is used in conjunction with power nozzle or extension lance (WA4012). (See Fig. J1, J2)

2. Brush (WA4048, sold separately)


Brush is for cleaning cars, boats, motorcycles etc. It is used in conjunction with power nozzle or extension lance (WA4012). (See Fig. K1, K2)

3. Window squeegee with water sprayer (WA4050, sold separately)

The window squeegees quick connection easily snaps into the tool to spray water or wipe off water from glass or tiled surfaces. Suitable for the HYDROSHOT™ power cleaner or extension lance (WA4012). (See Fig. L1, L2, L3, L4)

4. Bottle cap connector (WA4038, sold separately)

The bottle cap connector accessory allows the tool to directly connect with most 2 Liter bottles with approximately 1" openings. (NOTE: May not fit all consumable soda and water bottles) (See Fig. M1, M2, M3)

 **WARNING: Do not install the bottle cap connector accessory until it is ready to be used. The accessories vents will leak liquid, if a bottle is installed, with the machine lying on a surface.**

5. Turbo nozzle (WA4037, sold separately)

The turbo nozzle delivers 360° of rotating water, which cleans a larger area than the 0° water pattern during the same time period. Suitable with the pressure cleaning lance installed on the HYDROSHOT™. Recommend to use it with high pressure setting. (See Fig. N)

6. Pivoting Quick Connect Adapter (WA4039, sold separately)

The Pivoting Quick Connect Adapter allows power cleaning tips to be fully adjusted up to 180° in any direction. Ideal for cleaning around hard-to-reach areas. Suitable for the HYDROSHOT™ power cleaner and multi-spray nozzle (See Fig. Q1, Q2)

7. Rotary Cleaning Brush (WA4042, sold separately)

The rotary cleaning brush accessory easily snaps into the tool for cleaning sensitive surfaces and around tight spaces. Suitable for the HYDROSHOT™ power cleaner with/without the extension lance installed. (See Fig. R)

8. Auto/Boat Power Scrubber (WA1820, sold separately)

The water-powered rotary scrubber easily snaps into the tool for cleaning surfaces. Suitable for the HYDROSHOT™ Portable Power Cleaner without lance installed. (See Fig. S1, S2) The soft bristle scrubber head is applicable for sensitive surfaces.

9. Hard Surface Power Scrubber (WA1821, sold separately)

The water-powered rotary scrubber easily snaps into the tool for cleaning surfaces. Suitable for the HYDROSHOT™ Portable Power Cleaner without lance installed. (See Fig. S1, S2) The hard bristle scrubber is applicable for cleaning hard surfaces (not recommended for cars).

MAINTENANCE

Remove the battery pack from the tool before carrying out any adjustment, servicing or maintenance.

Inspect the product for damaged or worn parts before each use. Do not operate it if you find damaged or worn parts. Contact your supplier or the manufacturer for replacement parts.


Hose filter maintenance

Remove the hose filter from the hose and get out the strainer. Rinse the parts with clean water before reassembling. (See Fig. O1, O2)

Filter screen maintenance

Remove the hose adapter to get the filter screen. (See Fig. P1, P2) Rinse it with clean water before reassembling.

NOTE: When retightening the hose adapter, please tighten securely. Otherwise, it may not draw any water for proper operation.

 **WARNING: Any other servicing should be performed by an authorized service representative.**

CLEANING/STORAGE

Before storage, completely drain all the water from the machine and hose.

Clean the moulded plastic housing of the machine using a soft brush and clean cloth. Do not use water, solvents or polishes. Store in a secure and dry place out of the reach of children. Do not place other objects on the product.

Store the machine and the accessories in a frost free place.

TROUBLESHOOTING

Symptom	Possible causes	Solution
Machine turns on but it does not draw any water or there is not sufficient pressure.	Power nozzle is too high from the water source surface.	Lower the machine below 5ft/1.5m.
	Hose filter is blocked.	Take out the hose filter and rinse the parts with clean water. (See Fig. O1, O2)
	The users' garden hose is not well connected to the machine.	Check and reattach the garden hose tightly. (See Fig. F)
	Hose adapter looses.	Tighten the hose adapter securely with a spanner.
	The filter screen is missing. (See Fig. P1, P2)	Contact Worx service agent to get a filter screen.
	The filter screen is blocked. (See Fig. P1, P2)	Clean the filter screen regularly.
	Pump, hose, or other parts are frozen due to outside temperatures.	Wait for the pump, hose or other parts to thaw.
	Hose kinks.	Straighten out the hose.
Multi-spray nozzle leaks.	The nozzle pattern does not spray correctly.	Make sure the nozzle pattern symbol aligns with the indicator mark on tool.
	Fixing nail of the multi-spray nozzle loosens.	Tighten it with a hex key.
Outlet pressure increases suddenly.	Multi-spray nozzle is blocked.	Replace with a new multi-spray nozzle.
Machine drains out water after stopping.	There is water remaining in the lance and pump after stopping.	Drain all the water completely before storage.
Soap accessory cannot spray out any detergent.	Blockage in the soap bottle.	Clean it with fresh water.
Machine does not start.	The battery pack is not attached well.	Reinstall the battery pack.
	Battery pack is empty.	Replace with a new battery pack or recharge the battery pack.
	Defective battery.	Replace with a new battery pack.
Machine pressure is not consistent.	Additional air could be sucked into the machine.	Check connection between the hose adapter and the draw hose.
	It is at low pressure setting.	No action need.
Machine stops automatically.	Battery pack is empty.	Replace with a new battery pack or recharge the battery pack.
	The multi-spray nozzle is blocked. The current protection is activated.	Remove the multi-spray nozzle and turn on the machine. If the machine works normally, replace with a new multi-spray nozzle.
Machine does not draw any water after long time storage.	Additional air could be sucked into the machine.	Connect the machine to the water source and then turns it on.

CONSIGNES DE SÉCURITÉ



AVERTISSEMENT! Lisez et assimilez toutes les instructions. Le non-respect des instructions ci-après peut entraîner un risque de choc électrique, d'incendie et/ou de blessures graves.

Conservez tous les avertissements et instructions pour pouvoir les consulter ultérieurement.



AVERTISSEMENT : Ce dispositif peut vous exposer aux produits chimiques notamment le plomb et le di-phtalate (de 2-éthylhexyle) (DEHP) qui sont reconnus dans l'État de Californie comme causant des cancers et des anomalies congénitales ou d'autres anomalies de la reproduction. Pour en savoir plus, veuillez consulter le site www.P65Warnings.ca.gov.

CONSIGNES DE SÉCURITÉ IMPORTANTES



AVERTISSEMENT—En utilisant ce produit, toujours observer une certaine prudence élémentaire, incluant notamment:

1. Lire toutes les instructions de service avant d'utiliser l'appareil.
2. Afin de minimiser les risques de blessure, ne jamais laisser l'appareil sans surveillance lorsque celui-ci est utilisé à proximité d'enfants.
3. Il est impératif de savoir arrêter et mettre l'appareil hors pression rapidement. Une connaissance approfondie des commandes est nécessaire.
4. Rester attentif – se concentrer sur la tâche en cours.
5. L'utilisateur ne doit jamais faire usage de l'appareil lorsqu'il est fatigué ou sous l'emprise d'alcool ou de drogues.
6. Veiller à ce qu'aucun individu ne se trouve dans la zone de travail.
7. Ne jamais passer ou monter sur des supports instables. Toujours rester stable et équilibré.
8. Respecter les consignes d'entretien figurant dans le manuel.
9. **AVERTISSEMENT** - Risque de projection ou de blessure - Ne pas diriger le jet de vapeur en direction d'individus.
10. Ne pas asperger des appareils ou câblages électriques.

CONSERVEZ CE MODE D'EMPLOI

CONSIGNES DE SECURITE POUR TOUS LES APPAREILS DE JARDINAGE FONCTIONNANT AVEC UNE BATTERIE

1. Pour éviter le démarrage non intentionnel, s'assurer que le bouton de démarrage est en position d'arrêt avant de brancher l'appareil au chargeur ou de le prendre ou de le transporter. Un accident pourrait arriver si vous vous promenez avec l'appareil avec le doigt sur

l'interrupteur ou sur le dispositif de charge dont l'interrupteur est en position de charge.







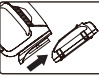


2. Débranchez le bloc de batterie de l'appareil avant de faire des réglages, de remplacer des accessoires ou de ranger l'appareil. De telles mesures de sécurité réduisent les risques de démarrer l'appareil accidentellement.
3. Rechargez le bloc batterie uniquement avec le chargeur spécifié par Worx. Un chargeur adapté à un type de batterie peut entraîner un risque d'incendie lorsqu'il est utilisé avec une autre batterie.
4. Utilisez les appareils uniquement avec les batteries spécifiquement indiquées. L'utilisation de toute autre batterie pourrait créer un risque de lésions et d'incendie.
5. Lorsque la batterie n'est pas utilisée, tenez la à l'écart d'autres objets métalliques, tels que les trombones, les pièces de monnaie, les clefs, les clous, les vis ou d'autres petits objets métalliques, qui peuvent établir la connexion d'une borne à l'autre. Court-circuiter les bornes de la batterie peut provoquer des brûlures ou un incendie.
6. Dans des conditions d'utilisation abusive, du liquide pourrait s'éjecter de la batterie; évitez tout contact. Si vous entrez accidentellement en contact avec le liquide, passez la partie du corps touchée sous le robinet. Si vos yeux entrent en contact avec le liquide, vous devez consulter immédiatement un médecin. Le liquide expulsé de la batterie peut causer des irritations ou des brûlures.
7. Ne pas utiliser une batterie ou un appareil qui est endommagé ou modifié. Les batteries endommagées ou modifiées peuvent présenter des comportements imprévisibles entraînant un incendie, une explosion ou le risque de blessures.
8. Ne pas exposer une batterie ou un appareil au feu ou à une température excessive. L'exposition au feu ou à une température au-dessus de 130°C (265°F) pourrait causer une explosion.
9. Respecter toutes les consignes de charge et ne pas charger la batterie ou l'appareil en dehors de la plage de température indiquée dans les consignes. Mal charger ou à des températures en dehors de la plage indiquée peut endommager la batterie et accroître le risque d'incendie.
10. Faites faire le service par un technicien de réparation compétent qui ne doit utiliser que des pièces de rechange identiques. Ceci maintiendra la sécurité du produit.
11. Ne pas modifier ou essayer de réparer l'appareil ou la batterie (selon le cas) sauf comme indiqué dans les consignes d'utilisation et d'entretien.

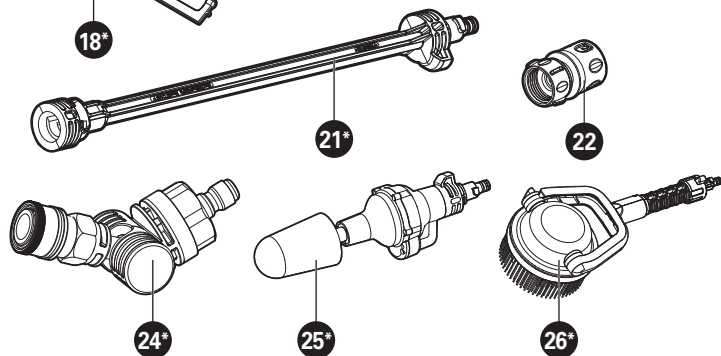
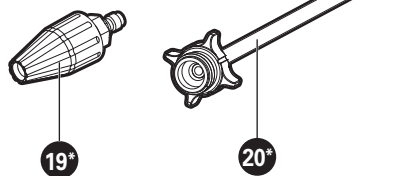
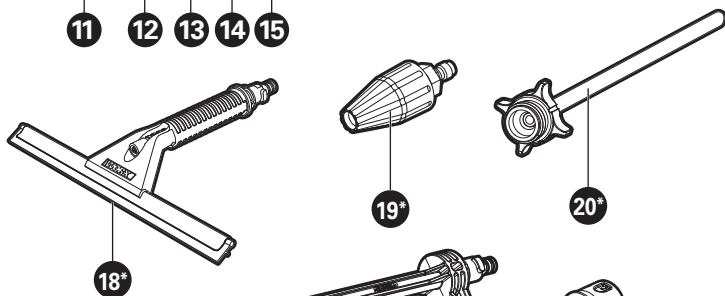
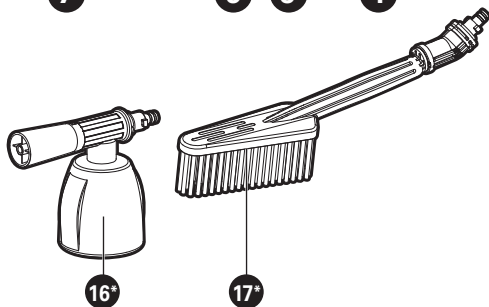
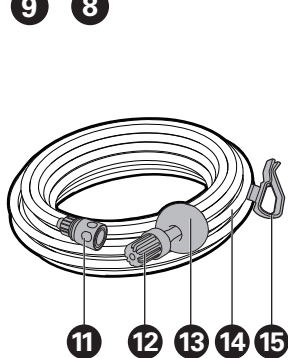
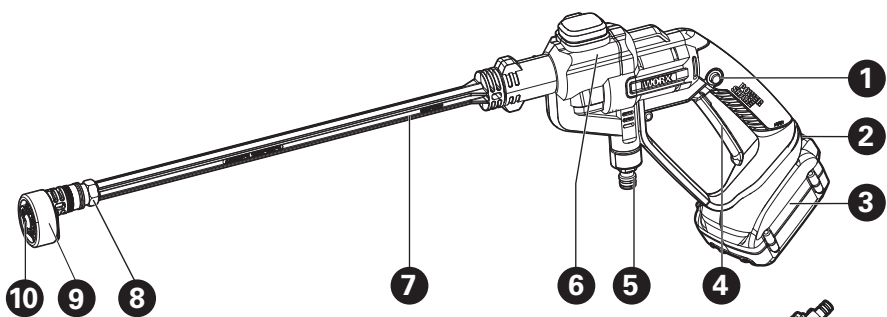
CONSIGNES GÉNÉRALES DE SECURITE CONCERNANT LA BATTERIE

- a) Ne pas démonter, ouvrir ou déchiqueter le bloc batterie.
- b) Ne pas exposer le bloc batterie à la chaleur ou au feu. Evitez de ranger la batterie dans un endroit exposé à la lumière directe du soleil.
- c) Ne pas court-circuiter une batterie. Ne stockez pas les blocs batterie en vrac dans une boîte ou un tiroir où ils peuvent se court-circuiter ou être court-circuités par d'autres objets métalliques. Lorsque le bloc batterie n'est pas utilisé, conservez-le loin d'autres objets métalliques, tels que des trombones, des pièces de monnaie, des clés, des clous, des vis ou d'autres objets métalliques de petite taille, qui pourraient établir une connexion d'un terminal à l'autre. Le fait de créer un court-circuit entre les bornes de la batterie peut causer des brûlures ou des incendies.
- d) Ne pas retirer la batterie de son emballage d'origine avant utilisation dans l'appareil.
- e) Ne pas soumettre la batterie à des chocs mécaniques.
- f) En cas de fuite de la batterie, ne pas laisser le liquide entrer en contact avec la peau ou les yeux. Si un contact a été effectué, laver la zone touchée avec beaucoup d'eau et consulter un médecin.
- g) Respecter les marques plus (+) et moins (-) sur le bloc batterie et sur l'appareil et veiller à bien le positionner.
- h) Ne pas utiliser de batterie qui n'a pas été conçue pour être utilisée avec cet appareil.
- i) Maintenez la batterie hors de portée des enfants.
- j) Consultez immédiatement un médecin si une cellule ou une batterie a été avalée.
- k) Achetez toujours une batterie recommandée par le fabricant de l'appareil.
- l) Conservez le bloc batterie propre et sec.
- m) Essuyez les bornes de la batterie avec un chiffon propre et sec si elles deviennent sales.
- n) La batterie doit être chargée avant son utilisation. Utilisez toujours le chargeur adapté et reportez-vous aux instructions du fabricant ou au manuel de l'équipement pour suivre les instructions concernant la procédure de charge.
- o) Ne laissez pas le bloc batterie en charge prolongée lorsqu'il n'est pas utilisé.
- p) Après de longues périodes de stockage, il peut être nécessaire de charger et de décharger la batterie plusieurs fois pour obtenir des performances optimales.
- q) La batterie offre de meilleures performances lorsqu'elle est utilisée à température ambiante normale (68 °F ± 9 °F).
- r) Lors de l'élimination des batteries, conservez les blocs batteries de différents systèmes électrochimiques séparés les uns des autres.
- s) Rechargez le bloc batterie uniquement avec le chargeur spécifié par Worx. N'utilisez pas un chargeur autre que celui spécifiquement conçu pour être utilisé avec l'équipement. Un chargeur adapté à un type de batterie peut entraîner un risque d'incendie lorsqu'il est utilisé avec une autre batterie.
- t) Conservez la documentation originale du produit pour référence ultérieure.
- u) Utilisez uniquement la batterie dans l'application pour laquelle elle a été prévue.

- v) Retirez la batterie de l'équipement lorsqu'il n'est pas utilisé.
- w) Éliminez la batterie de façon adéquate.

SYMBOLES

	Afin de réduire les risques de blessure, l'utilisateur doit lire ce mode d'emploi.
	Avertissement
	Batterie Li-Ion. Les batteries doivent être recyclées en collecte sélective.
	call2recycle® POSITEC Inc. a formé un partenariat avec RBRC Corporation pour le recyclage des batteries Positec portant le sceau RBRC-call2recycle. Pour la protection de l'environnement, veillez à ne pas jeter les batteries aux poubelles. À la fin du cycle de vie de la batterie, appelez 1-800-822-8837 pour un service gratuit qui mettra la batterie au rebut selon les règles de l'art.
	Ne pas jeter au feu
	Les batteries peuvent s'introduire dans le cycle de l'eau si elles sont éliminées de manière inappropriée, ce qui peut être dangereux pour l'écosystème. Ne pas éliminer les batteries usagées avec les déchets municipaux non triés.
	Retirer le bloc-piles de l'outil avant d'effectuer tout ajustement, entretien ou maintenance.
	Déverrouiller
	Verrouiller



LISTE DES ÉLÉMENTS

1.	BOUTON DE VERROUILLAGE
2.	CRAN DE DÉGAGEMENT DU BLOC-PILES
3.	BLOC-PILES *
4.	LEVIER INTERRUPTEUR MARCHÉ/ARRÊT
5.	ADAPTATEUR TUYAU
6.	BUSE DE PRESSION
7.	LANCE D'AMÉLIORATION DE LA PRESSION
8.	ADAPTATEUR DE BUSE
9.	BUSE MULTI TYPES DE PULVÉRISATION
10.	CLOU DE FIXATION
11.	CONNECTEUR DE TUYAU
12.	FILTER DU TUYAU
13.	FLOTTEUR
14.	TUYAU D'ASPIRATION
15.	CLIP DE FIXATION DU TUYAU
16.	BOUTEILLE DE SAVON*
17.	BROSSE*
18.	RACLETTE À VITRES AVEC PULVÉRISATEUR D'EAU*
19.	BUSE TURBO*
20.	CONNECTEUR DE BOUCHON DE BOUTEILLE
21.	LANCE D'EXTENSION*
22.	ADAPTATEUR À CONNEXION RAPIDE
23.	CRÉPINE DE FILTRATION (VOIR FIG. P2)
24.	ADAPTATEUR PIVOTANT À RACCORD RAPIDE*
25.	BROSSE DE NETTOYAGE ROTATIF *
26.	LAVEUSE PUISSANTE D'AUTO/DE BATEAU*/ LAVEUSE PUISSANTE À SURFACE DURE*

* Les accessoires illustrés ou décrits ne sont pas tous compris dans le cadre de la livraison standard. Se référer au diagramme des ACCESSOIRES pour examiner les options qui sont incluses aux différents modèles de produits. Visiter worx.com pour en savoir plus sur ces options des accessoires disponibles.

DONNÉES TECHNIQUES

	WG620	WG620.1	WG620.3	WG620.9
Tension	20 V== Maxi**			
Mode de nettoyage	maxi 320 psi (raccordement au tuyau d'arrosage)			
Débit d'eau maximal	120 L/h (0.5 gpm)			

Pression maximum d'arrivée d'eau	0.6 MPa (87 psi)			
Hauteur d'aspiration	maxi 1.5 m (5 ft.)			
Température de l'eau	maxi 50 °C (122 °F)			
Poids (avec lance)	1.9 kg (4.2 lbs)	1.9 kg (4.2 lbs)	1.9 kg (4.2 lbs)	1.2 kg (2.7 lbs)

** Tension mesurée hors fonctionnement. La tension initiale de la batterie atteint le maximum de 20 volts. La tension nominale est de 18 V.

ACCESSOIRES

	WG620	WG620.1	WG620.3	WG620.9
Tuyau d'aspiration 20 ft. (6 m)	1	1	1	1
Lance d'amélioration de la pression	1	1	1	1
Buse multi types de pulvérisation	1	1	1	1
Raclette à vitres avec pulvérisateur d'eau (WA4050)	/	1	/	/
Brosse (WA4048)	/	1	/	/
Bouteille de savon (WA4036)	/	1	1	/
Connecteur de bouchon de bouteille (WA4038)	1	1	1	1
20 Adaptateur à connexion rapide (WA4017)	1	1	1	1
Bloc-piles (WA3578)	1	1	1	/
Chargeur(WA3881)	1	1	1	/
Lance d'extension (WA4012)	/	/	/	/
Buse turbo (WA4037)	/	/	/	/
Adaptateur pivotant à raccord rapide (WA4039)	/	/	/	/
Brosse de nettoyage rotatif (WA4042)	/	/	1	/
Laveuse puissante d'auto/de bateau (WA1820)	/	/	1	/
Laveuse puissante à surface dure (WA1821)	/	/	/	/

N'utilisez que les accessoires compatibles à cet outil. Les informations des accessoires peuvent être trouvées sur l'emballage du produit, chez un détaillant Worx ou sur notre site Web www.worx.com.


Nous vous recommandons d'acheter tous vos accessoires au même magasin où vous avez acheté l'outil. Choisissez le type d'outil approprié au travail que vous désirez entreprendre. Pour de plus amples renseignements, consultez l'emballage de l'accessoire. Le personnel du magasin peut également vous conseiller.

INSTRUCTIONS D'UTILISATION



REMARQUE: Avant d'utiliser cet outil, assurez-vous de lire attentivement le manuel d'utilisation.

ASSEMBLAGE & FONCTIONNEMENT

ACTION	SCHÉMA
AVANT LE FONCTIONNEMENT	
Installation du bloc de batterie	Voir Fig. A1
Retrait du bloc de batterie	Voir Fig. A2
Recharge de la batterie Pour plus d'informations, se référer au manuel WA3578	Voir Fig. A3
FONCTIONNEMENT	
Fixation de l'extension de lance à la buse de pression REMARQUE : lorsque vous fixez l'extension, veillez à aligner les deux saillies situées sur la lance avec les rainures de la buse de pression, comme illustré sur la Fig. B. REMARQUE: la pression maximale atteinte est de 320 psi. Cette puissance est adaptée au nettoyage de tâches tenaces.	Voir Fig. B
Fixation de la buse multi types de pulvérisation REMARQUE : lorsque vous fixez la buse, effectuez une rotation de la gauche à droite pour vous assurer que la buse soit correctement positionnée et tirez doucement dessus pour vous assurer qu'elle soit correctement verrouillée en place.	Voir Fig. C
Fixation du tuyau à la buse de pression REMARQUE : Après avoir fixé le tuyau, vérifiez la connexion en tirant doucement sur le tuyau. Celui-ci ne doit pas être se détacher.	Voir Fig. D1, D2
Fixation de votre propre tuyau d'eau (option) 1. Fixez l'adaptateur à connexion rapide 2. Connectez votre propre tuyau d'arrosage en utilisant des connecteurs appropriés REMARQUE : À l'exception du tuyau fourni, vous pouvez également connecter la buse de pression à votre propre tuyau d'eau en utilisant des connecteurs appropriés. REMARQUE : Vérifiez si la crépine de filtration est présente avant de resserrer l'adaptateur de tuyau. (Fig. P1, P2) Lorsque vous serrez le raccord d'arrosage rapide, serrez-le fermement. Autrement, il est possible que l'eau ne sorte pas. ⚠ AVERTISSEMENT : Il est déconseillé de connecter le tuyau d'aspiration à votre tuyau d'arrosage ou à votre robinet de maison.	Voir Fig. E, F
Première utilisation REMARQUE: Lors de la première utilisation, vous devez vider l'air présente dans le tuyau, placer la buse de pression plus bas que votre taille (< 5ft / 1,5 m), puis fixer l'extension de lance et régler l'appareil sur haute pression. Assurez-vous de ne pas commencer à travailler tant que le tuyau ne soit complètement rempli et que l'eau commence à être pulvérisée. Cette opération peut prendre jusqu'à 30 secondes ou plus en fonction de la source d'eau douce.	Voir Fig. G
Sélection du type de pulvérisation REMARQUE: Sélectionnez un style de pulvérisation approprié au travail à réaliser. Les styles de pulvérisation 0°, 15°, 25° and 40° sont adaptés aux opérations de nettoyage. Le style de pulvérisation portant le symbole  correspond au mode le plus adapté pour l'arrosage. ⚠ AVERTISSEMENT: Ne modifiez pas le style de pulvérisation pendant que l'appareil est sous tension.	Voir Fig. H
Nettoyage ⚠ AVERTISSEMENT: Ne raccordez pas la machine à des arrivées d'eau sales, rouillées, boueuses ou rouillées. (Y compris des liquides de nettoyage de vitres, des aliments végétaux ou des engrais, etc.) REMARQUE: Utilisation non recommandée avec de l'eau salée, rincer immédiatement avec de l'eau douce pour un entretien correct.	Voir Fig. I1
Arrosage	Voir Fig. I2

FIXATION DES ACCESSOIRES

Un certain nombre d'accessoires ont été fournis avec ce produit et sont nécessaires pour diverses utilisations. **N'essayez pas d'utiliser l'appareil avoir préalablement fixé une lance ou un quelconque autre accessoire.**

1. Bouteille de savon (WA4036, vendus séparément)

La bouteille de savon génère une mousse de détergent pour un nettoyage en profondeur de la saleté. Celle-ci est utilisée conjointement à la buse de pression ou l'extension de lance (WA4012). (Voir Fig. J1, J2)

2. Brosse (WA4048, vendus séparément)

La brosse est utilisée pour le nettoyage des voitures, des bateaux, des motos, etc. Celle-ci est utilisée conjointement à la buse de pression ou l'extension de lance (WA4012). (Voir Fig. K1, K2)

3. Raclette à vitres avec pulvérisateur d'eau (WA4050, vendus séparément)

Le système de branchement de la raclette à vitres permet de l'enclencher facilement dans l'outil pour pulvériser de l'eau ou essuyer l'eau présente sur les vitres ou les surfaces carrelées. Convient pour le nettoyeur à pression HYDROSHOT™ ou la lance d'extension (WA4012). (Voir Fig. L1, L2, L3, L4)

4. Connecteur de bouchon de bouteille (WA4038, vendus séparément)

L'accessoire bouchon de bouteille permet à l'outil d'être directement raccordé à la plupart des bouteilles de 2 litres disposant d'un goulot d'environ 1 po (REMARQUE : Il est possible que cet accessoire ne s'adapte pas à toutes les bouteilles de produits consommables comme des sodas ou de l'eau) (Voir Fig. M1, M2, M3)

⚠ AVERTISSEMENT: N'installez pas l'accessoire bouchon de bouteille avant qu'il ne soit prêt à l'utilisation. Si vous fixez une bouteille pendant que la machine repose sur une surface, un liquide s'écoule des équipements de ventilation.

5. Buse turbo (WA4037, vendus séparément)

La buse turbo fournit de l'eau en rotation à 360°, ce qui permet de nettoyer une plus grande surface qu'avec le modèle de distribution d'eau à 0° sur une même période de temps. Fonctionne avec la lance d'extension installée sur l'HYDROSHOT™. Il est recommandé d'appliquer un réglage à haute pression lors de l'utilisation (Voir Fig. N)

6. Adaptateur pivotant à raccord rapide (WA4039, vendus séparément)

L'adaptateur pivotant à raccord rapide permet que les trucs de la puissance de nettoyage soient totalement réglés jusqu'à 180° dans n'importe quelle direction. Idéal pour nettoyer autour des zones difficiles à atteindre. Approprié pour le nettoyeur puissant HYDROSHOT™ et la buse multi types de pulvérisation. (Voir la Figure. Q1, Q2).

7. Brosse de nettoyage rotatif (WA4042, vendus séparément)

L'accessoire de la brosse de nettoyage rotative s'installe facilement dans l'instrument pour nettoyer les surfaces sensibles et autour des espaces exigus. Approprié pour le nettoyeur puissant HYDROSHOT™ avec/sans la lance de prolongation d'extension installée. (Voir Fig. R)

8. Laveuse puissante d'auto/de bateau (WA1820, vendus séparément)

L'accessoire de l'épurateur rotatif alimenté à l'eau s'installe facilement dans l'instrument pour le nettoyage de surfaces solides. Convient pour le nettoyeur portable puissant HYDROSHOT™ sans lance installée. (Voir la Figure. S1, S2) La tête souple de l'épurateur est applicable pour les surfaces sensibles.

9. Laveuse puissante à surface dure (WA1821, vendus séparément)

L'accessoire de l'épurateur rotatif alimenté à l'eau s'installe facilement dans l'instrument pour le nettoyage de surfaces solides. Convient pour le nettoyeur portable puissant HYDROSHOT™ sans lance installée. (Voir la Figure. S1, S2) L'épurateur à poils durs est applicable pour le nettoyage des surfaces solides (déconseillé pour les véhicules).

ENTRETIEN

Retirer le bloc-piles de l'outil avant d'effectuer tout ajustement, entretien ou maintenance.

Inspectez l'appareil pour détecter d'éventuelles pièces endommagées ou usées avant chaque utilisation. Assurez-vous de ne pas utiliser l'appareil des pièces endommagées ou usées ont été trouvées. Contactez votre fournisseur ou le fabricant pour commander des pièces de rechange.

Entretien du filtre du tuyau

Retirez le filtre du tuyau et sortez la crépine. Rincez les pièces à l'eau propre avant de les assembler à nouveau. (Voir Fig. O1, O2)

Entretien de l'écran du filtre

Retirez l'adaptateur du tuyau pour obtenir l'écran du filtre. (Voir Fig. P1, P2) Rincez les pièces à l'eau propre avant de les assembler à nouveau.

REMARQUE: Lorsque vous serrez le raccord d'arrosage rapide, serrez-le fermement. Autrement, il est possible que l'eau ne sorte pas.

⚠ AVERTISSEMENT: Toute autre opération d'entretien doit être effectuée par un représentant autorisé du service.

NETTOYAGE/ ENTREPOSAGE

Avant de stocker l'appareil, assurez-vous de totalement vider toute l'eau présente dans la machine et dans le tuyau.

Nettoyez le boîtier en plastique moulé de la machine à l'aide d'une brosse douce et d'un chiffon propre. Assurez-vous de ne pas utiliser d'eau, des solvants ou des vernis. Entrez la machine dans un endroit sec - hors de la portée des enfants. Ne placez pas d'autres objets sur la machine.

Stockez la machine et ses accessoires dans un endroit à l'abri du gel.

DÉPANNAGE

Problème	Causes possibles	Mesures
La machine s'allume, mais elle n'aspire pas d'eau ou la pression est insuffisante.	La buse est trop haute par rapport à la surface de la source d'eau.	Placez la machine à une hauteur inférieure à 5 pi / 1,5 m.
	Le filtre du tuyau est bouché.	Retirez le filtre du tuyau et rincez les pièces avec de l'eau propre. (Voir Fig. O1, O2)
	tuyau d'arrosage de l'utilisateur n'est pas bien raccordé à la machine.	Vérifiez et resserrez le raccord du tuyau d'arrosage. (Voir Fig. F)
	L'adaptateur du tuyau est desserré.	Serrez fermement l'adaptateur de tuyau à l'aide d'une clé.
	La crépine de filtration n'est pas présente. (Voir Fig. P1, P2)	Contactez un agent d'entretien Worx pour obtenir une nouvelle crépine de filtration.
	L'écran du filtre est bloqué. (Voir Fig. P1, P2)	Nettoyez régulièrement l'écran du filtre.
	La pompe, le tuyau ou d'autres pièces sont gelés à cause de la température extérieure.	Attendez que la pompe, le tuyau ou les autres pièces soient dégelés.
	Le tuyau est plié.	Redressez le tuyau.
La buse multi-pulvérisation fuit.	L'embout de la buse ne pulvérise pas correctement.	Assurez-vous que le symbole de la forme de buse soit aligné avec le repère sur l'outil.
	Le clou de fixation de la buse multi-pulvérisation se desserre.	Serrez-le avec une clé hexagonale.
La pression de sortie augmente brusquement.	La buse multi-pulvérisation est bouchée.	Remplacez la buse par une nouvelle buse multi-pulvérisation.
De l'eau s'écoule de la machine après qu'elle soit arrêtée.	Il reste de l'eau dans la lance et dans la pompe après l'arrêt de la machine.	Vidangez complètement l'eau avant de d'entreposer la machine.
L'accessoire de savonnage ne vaporise aucun détergent.	Obstruction dans le réservoir à savon.	Nettoyez-le avec de l'eau propre.
La machine ne démarre pas.	La batterie n'est pas correctement fixée.	Réinstallez la batterie.
	La batterie est vide.	Remplacez-la par une nouvelle batterie ou rechargez la batterie.
	Batterie défectueuse.	Remplacer la batterie.
Le niveau de pression de la machine n'est pas constant.	De l'air supplémentaire pourrait être aspirée dans la machine.	Vérifiez le raccord entre l'adaptateur du tuyau et le tuyau.
	Le réglage de la machine est sur basse pression.	Aucune action requise.
La machine s'arrête automatiquement.	La batterie est vide.	Remplacez-la par une nouvelle batterie ou rechargez la batterie.
	La buse multi-pulvérisation est bouchée. Le système de protection électrique a été activé.	Retirez la buse multi-pulvérisation et allumez la machine. Si la machine fonctionne normalement, remplacez la buse par une nouvelle buse multi-pulvérisation.
La machine ne puise pas de l'eau après un stockage prolongé.	De l'air supplémentaire pourrait être aspiré dans la machine.	Connectez la machine à la source d'eau puis allumez-la.

SEGURIDAD DEL PRODUCTO



¡ADVERTENCIA! Lea y comprenda todas las instrucciones. El no seguir todas las instrucciones a continuación puede ocasionar descargas eléctricas, incendios y/o heridas graves.

Conserve todas las advertencias e instrucciones para consulta futura.



ADVERTENCIA: Este producto puede exponerlo a sustancias químicas, como plomo y di (2-etilhexilo) ftalato (DEHP), que el estado de California reconoce como causantes de cáncer y defectos de nacimiento u otros daños reproductivos. Para más información visite www.P65Warnings.ca.gov.

INSTRUCCIONES IMPORTANTES DE SEGURIDAD



ADVERTENCIA –Al utilizar este producto, tome siempre las precauciones básicas, incluidas las siguientes:

1. Lea todas las instrucciones antes de usar el producto.
2. Para reducir el riesgo de lesiones, es preciso vigilar atentamente si se usa el producto cerca de niños.
3. Es necesario saber cómo parar rápidamente el producto y parar hemorragias. Estar familiarizado con los mandos.
4. Estar atento, prestar atención a lo que se está haciendo.
5. No ponga en funcionamiento el producto si está cansado o está bajo la influencia de alcohol o drogas.
6. Mantenga la zona de trabajo libre de personas.
7. No sobrecargar o colocar sobre un soporte inestable. Mantener el equilibrio en todo momento.
8. Seguir las instrucciones de mantenimiento especificadas en el manual.
9. **ADVERTENCIA** - Riesgo de inyección o lesiones – no dirigir el chorro directamente sobre personas.
10. No rocíe el aparato y cableado eléctrico.

CONSERVE ESTAS INSTRUCCIONES.

ADVERTENCIAS DE SEGURIDAD PARA LAS HERRAMIENTAS DE JARDINERÍA A BATERÍA

1. Evite el encendido inadvertido. Asegúrese que el interruptor esté en la posición de apagado antes de conectar el paquete de batería, al levantar o transportar el aparato. Transportar el aparato con su dedo sobre el interruptor o energizar el aparato que tenga el interruptor encendido provoca accidentes.
2. Desconecte el paquete de batería del aparato antes de realizar cualquier ajuste, cambiar los accesorios, o guardar el aparato. Tales medidas preventivas de seguridad reducen el riesgo de encender el aparato por accidente.
3. Recargue únicamente con el cargador especificado por Worx. Un cargador que es

adecuado para un tipo de paquete de batería puede crear un riesgo de incendio cuando se usa con otro paquete de batería.

4. Use los electrodomésticos sólo con paquetes de baterías específicamente diseñados. El uso de cualquier otro paquete de baterías puede crear un riesgo de lesiones e incendios.
5. Cuando la batería no esté en uso, manténgala alejada de otros objetos metálicos, como sujetadores de papel, monedas, llaves, clavos, tornillos u otros objetos metálicos pequeños, que puedan establecer una conexión de una terminal a otra. Poner en corto las terminales de la batería puede causar quemaduras o un incendio.
6. Bajo condiciones de abuso, puede expulsarse líquido de la batería; evite el contacto. Si ocurre contacto accidentalmente, lave con agua. Si el líquido entra en contacto con los ojos, busque ayuda médica adicional. El líquido expulsado de la batería puede causar irritación o quemaduras.
7. No use un paquete de batería o aparato dañado o modificado. Las baterías dañadas o modificadas pueden presentar un comportamiento impredecible que puede provocar un incendio, una explosión o un riesgo de lesiones.
8. No exponga la batería o el artefacto al fuego ni a temperaturas excesivas. La exposición al fuego o la temperatura por encima de 130°C (265°F) pueden causar una explosión.
9. Siga todas las instrucciones de carga y no cargue la batería o el dispositivo fuera del rango de temperatura especificado en las instrucciones. La carga incorrecta o a temperaturas fuera del rango especificado puede dañar la batería y aumentar el riesgo de incendio.
10. Pida que una persona de reparación calificada dé servicio usando únicamente partes de reemplazo idénticas. Esto garantizará que se mantenga la seguridad del producto.
11. No modifique ni intente reparar el aparato o el paquete de baterías (conforme sea aplicable), excepto como se indica en las instrucciones de uso y cuidado.

ADVERTENCIAS GENERALES DE SEGURIDAD PARA LA BATERÍA










- a) **No desensamble, abra o triture el paquete de batería.**
- b) **No exponga el paquete de batería a calor o fuego. Evite guardar a la luz directa del sol.**
- c) **No ponga en corto circuito el paquete de batería. No guarde el paquete de batería de forma aleatoria en una caja o cajón donde puedan ponerse en corto circuito entre sí o ponerse en corto circuito por otros objetos metálicos.** Cuando el paquete de batería no esté en uso, manténgalo alejado de otros

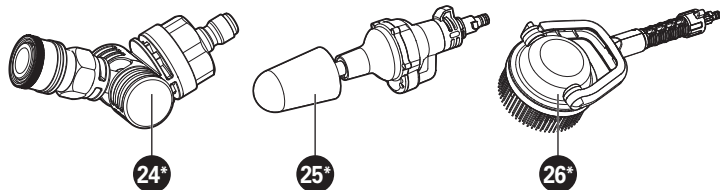
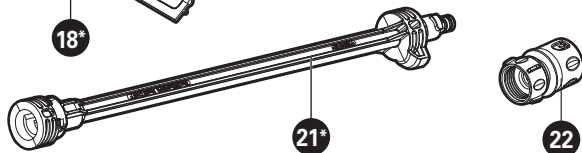
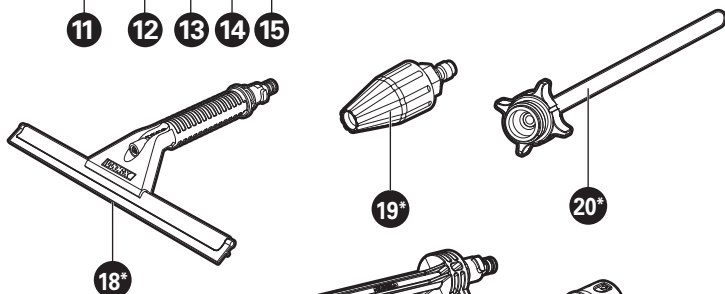
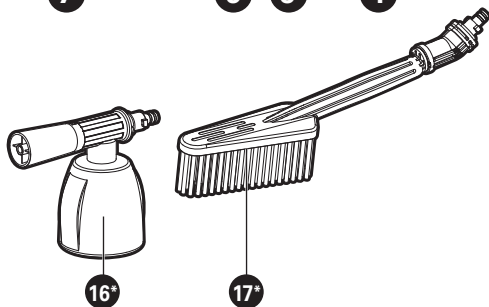
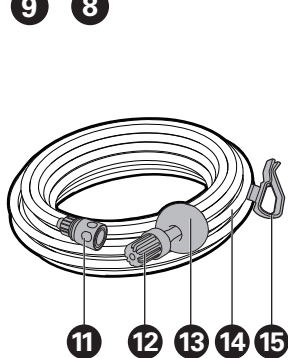
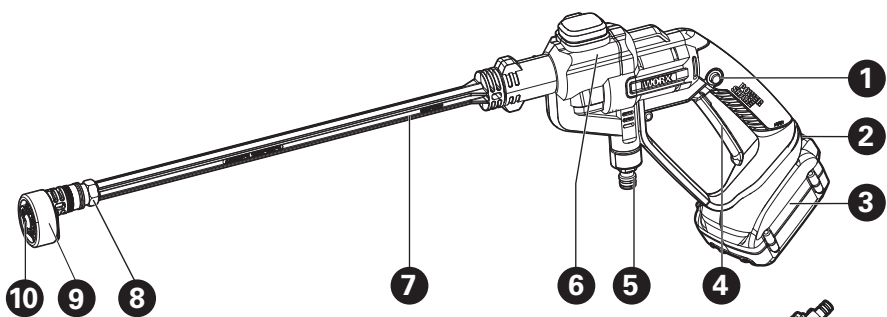
objetos metálicos, como sujetadores de papel, monedas, llaves, clavos, tornillos u otros objetos metálicos pequeños que puedan establecer una conexión de una terminal a otra. El corto circuito de las terminales de la batería puede causar quemaduras o incendios.

- d) **No retire el paquete de la batería de su empaque original hasta que se requiera para el uso.**
- e) **No someta el paquete de batería a impacto mecánico.**
- f) **En el caso de fuga de la batería, no permita que el líquido entre en contacto con la piel o los ojos.** Si hay contacto, lave el área afectada con bastante agua y busque atención médica.
- g) **Observe las marcas positiva (+) y negativa (-) en la parte posterior de la batería y el equipo para asegurar su uso correcto.**
- h) **No use ningún paquete de batería que no esté diseñado para uso con el equipo.**
- i) **Mantenga el paquete de batería fuera del alcance de los niños.**
- j) **Busque atención médica de inmediato si se ingiere una celda o una batería.**
- k) **Siempre adquiera el paquete de batería recomendado por el fabricante del dispositivo para el equipo.**
- l) **Mantenga el paquete de batería limpio y seco.**
- m) **Limpie las terminales del paquete de batería con una tela seca limpia su se ensucian.**
- n) **El paquete de batería se necesita cargar antes del uso.** Siempre use el cargador correcto y consulte las instrucciones del fabricante o el manual del equipo para saber las instrucciones correctas de carga.
- o) **No deje el paquete de batería en carga prolongada cuando no esté en uso.**
- p) **Después de periodos prolongados de almacenamiento, puede ser necesario cargar y descargar el paquete de batería varias veces para obtener el desempeño máximo.**
- q) **El paquete de batería proporciona su mejor desempeño cuando se opera en temperatura ambiente normal (68°F ± 9°F).**
- r) **Cuando deseche los paquetes de batería, mantenga los paquetes de batería de diferentes sistemas electromecánicos separados entre sí.**
- s) **Recargue únicamente con el cargador especificado por Worx. No use cargadores que no sean los específicamente suministrados para uso con el equipo.**
Un cargador que es adecuado para un tipo de paquete de batería puede crear un riesgo de incendio cuando se usa con otro paquete de batería.
- t) **Conserve la literatura el producto original para referencia futura.**
- u) **Sólo use el paquete de batería en la**

- aplicación para la que está diseñado.**
- v) **Retire el paquete de batería del equipo cuando no esté en uso.**
- w) **Deséchelo adecuadamente.**

SYMBOLES

	Para reducir el riesgo de lesiones, el usuario deberá leer el manual de instrucciones.
	Advertencia
	Batería de iones de litio. La batería deberá reciclarse.
	<p>POSITEC Inc. ha establecido una asociación con la empresa RBRC para el reciclaje de todas las baterías Positec que posean el sello RBRC-call2recycle. Para contribuir con la protección del medio ambiente, no deseche las baterías como residuos normales. Después de que haya finalizado el ciclo de vida útil de la batería, comuníquese al 1.800-822-8837 para acceder al servicio gratuito que realizará el desecho correcto de la batería.</p>
	No arrojar al fuego
	Las baterías pueden entrar al ciclo de agua si se desechan incorrectamente, lo que puede ser peligroso para el ecosistema. No deseche las baterías de desperdicio como desperdicio municipal sin clasificar
	Retire el Paquete de la batería de la herramienta antes de realizar cualquier ajuste, servicio o mantenimiento.
	Desbloqueo
	Bloqueo



LISTA DE PARTES

1.	INTERRUPTOR DE DESTRABADO
2.	LENGÜETAS DE LIBERACIÓN DE LAS BATERÍAS
3.	PAQUETE DE BATERÍAS *
4.	PALANCA DE INTERRUPTOR DE ENCENDIDO/APAGADO
5.	ADAPTADOR DE MANGUERA
6.	BOQUILLA DE PRESIÓN
7.	LANZA DE MEJORA DE PRESIÓN
8.	ADAPTADOR DE BOQUILLA
9.	BOQUILLA DE ROCÍO MÚLTIPLE
10.	CLAVO DE FIJACIÓN
11.	CONECTOR DE MANGUERA
12.	FILTRO DE MANGUERA
13.	FLOTADOR
14.	MANGUERA EXTRAÍBLE
15.	SUJETADOR DE MANGUERA
16.	BOTELLA DE JABÓN*
17.	CEPILLO*
18.	LIMPIADOR DE VENTANAS CON ROCIADOR DE AGUA*
19.	BOQUILLA DE TURBO*
20.	CONECTOR DE TAPA DE BOTELLA
21.	LANZA DE EXTENSIÓN*
22.	ADAPTADOR DE CONEXIÓN RÁPIDA
23.	PANTALLA DE FILTRO (VEA LA FIG. P2)
24.	ADAPTADOR DE CONEXIÓN RÁPIDA DE PIVOTE*
25.	CEPILLO DE LIMPIEZA GIRATORIO *
26.	DEPURADOR DE AUTOMÓVIL/BARCO */ DEPURAADOR DE SUPERFICIES DURAS *

* No todos los accesorios ilustrados o descritos se incluyen junto con el producto estándar. Consulte la tabla de ACCESORIOS para revisar las opciones incluidas con varios modelos del producto. Visite worx.com para aprender más sobre estas opciones de accesorios disponibles.

DATOS TÉCNICOS

	WG620	WG620.1	WG620.3	WG620.9
Tensión	20 V $\overline{\text{---}}$ Máx.**			
Modo de limpieza	máx. 320 psi (manguera de jardín conectada)			
Velocidad máxima de flujo de agua	0.5 gpm (120 L/h)			

**Lavador A Presión Portátil
Inalámbrico**

ES

Presión máxima de agua de entrada	87 psi (0.6 MPa)			
Altura de succión	máx. 5 ft.			
Temperatura de agua	máx. 122 °F (50 °C)			
Peso (con lanza)	4.2 lbs(1.9 kg)	4.2 lbs(1.9 kg)	4.2 lbs(1.9 kg)	2.7 lbs(1.2 kg)

** Voltaje medido sin carga de trabajo. El voltaje inicial de la batería alcanza un máximo de 20 V. El voltaje nominal es 18 V.

ACCESORIOS

	WG620	WG620.1	WG620.3	WG620.9
Manguera extraíble 20 pies (6 m)	1	1	1	1
Lanza de mejora de presión	1	1	1	1
Boquilla de rocío múltiple	1	1	1	1
Limpiador de ventanas con rociador de agua (WA4050)	/	1	/	/
Cepillo (WA4048)	/	1	/	/
Botella de jabón (WA4036)	/	1	1	/
Conector de tapa de botella (WA4038)	1	1	1	1
Adaptador de conexión rápida (WA4017)	1	1	1	1
Paquete de baterías (WA3578)	1	1	1	/
Cargador (WA3881)	1	1	1	/
Lanza de extensión (WA4012)	/	/	/	/
Boquilla de turbo (WA4037)	/	/	/	/
Adaptador de conexión rápida de pivote (WA4039)	/	/	/	/
Cepillo de limpieza giratorio (WA4042)	/	/	1	/
Depurador de automóvil/barco (WA1820)	/	/	1	/
Depurador de superficies duras (WA1821)	/	/	/	/

Sólo utilice los accesorios apropiados diseñados para esta herramienta. Puede encontrar información sobre los accesorios en el embalaje del producto, consultando a un distribuidor de Worx o en nuestro sitio Web: www.worx.com.





Le recomendamos que compre todos los accesorios en la tienda donde adquirió la herramienta. Seleccione los que más convengan al trabajo que intenta hacer. Consulte el empaque de los accesorios para obtener más detalles. El personal de la tienda también puede ayudarle y aconsejarle.

INSTRUCCIONES DE USO



NOTA: Antes de usar la herramienta, lea atentamente el manual de instrucciones.

ENSAMBLE & FUNCIONAMIENTO

ACCIÓN	FIGURA
ANTES DE LA OPERACIÓN	
Instalación de paquete de batería	Vea la Fig. A1
Extracción de paquete de batería	Vea la Fig. A2
Cargando la batería Se pueden encontrar más detalles en el manual del WA3578	Vea la Fig. A3
OPERACIÓN	
Conexión de lanza de extensión a la boquilla de presión NOTA: Cuando la conecte, alinee las dos proyecciones sobre la lanza con las ranuras de la boquilla de presión como se muestra en la Fig. B. NOTA: la presión máxima es 320 psi. Es adecuado para retirar manchas fuertes.	Vea la Fig. B
Conexión de boquilla de rocío múltiple NOTA: Cuando conecte, gire la boquilla a la izquierda y la derecha para asegurar que la boquilla esté completamente asentada en posición y jale suavemente para asegurar que esté bloqueada en su posición firmemente.	Vea la Fig. C
Conexión de la manguera a la boquilla de presión NOTA: Después que se conecte la manguera, revise la conexión jalando suavemente sobre la manguera. No se debe desconectar.	Vea la Fig. D1, D2
Conexión de su propia manguera de agua (opcional) 1. Conecte el adaptador de conexión rápida 2. Conecte la manguera para jardín con los conectores adecuados NOTA: Excepto para la manguera suministrada, también puede conectar la boquilla de presión a su propia manguera de agua con conectores adecuados. NOTA: Revise si falta la pantalla de filtro antes de volver a apretar el adaptador de manguera. (Fig. P1, P2) Cuando vuelva a apretar el adaptador rápido de manguera, por favor apriételo firmemente. De otra manera, puede no succionar agua para una operación adecuada.	Vea la Fig. E, F
 ADVERTENCIA: No se recomienda conectar la manguera extraíble a su manguera de jardín o a la llave de su casa.	
Inicio NOTA: Durante el primer uso, necesita vaciar el aire de la manguera, colocar la boquilla de presión debajo del nivel de la cintura (<5pies / 1.5m), y después conectar la lanza de extensión y ajustarla en alta presión. No comience a trabajar hasta que el agua suba a lo largo de la manguera y rocíe hacia afuera. Esto podría tomar hasta 30 segundos o más dependiendo de la fuente de agua fresca.	Vea la Fig. G
Selección de patrón de boquilla NOTA: Elija un patrón de boquilla adecuado de acuerdo con su trabajo. Patrones de rocío de 0°, 15°, 25° y 40° son aplicables para limpieza y el patrón de rocío con el símbolo  es el más adecuado para riego.  ADVERTENCIA: No cambie el patrón de boquilla cuando la herramienta esté encendida.	Vea la Fig. H
Limpieza  ADVERTENCIA: No conecte la máquina a suministros de agua que estén sucios, oxidados, lodosos, o corrosivos. (Incluyendo líquidos de limpieza de ventanas, alimentos para plantas, o fertilizantes, etc.) NOTA: No se recomienda para uso con agua salada, enjuague de inmediato con agua fresca para el mantenimiento apropiado.	Vea la Fig. I1
Riego	Vea la Fig. I2

CONEXIÓN DE ACCESORIOS

Varios accesorios se suministraron con este producto y se requieren para uso en diferentes aplicaciones. **No intente usar la limpiador sin una lanza o ningún accesorio conectado.**

1. Botella de jabón (WA4036, se venden por separado)

La botella de jabón proporciona espuma detergente para limpieza más profunda de suciedad. Se usa junto con la boquilla de presión o la lanza de extensión (WA4012). (Vea la Fig. J1, J2)

2. Cepillo (WA4048, se venden por separado)

El cepillo es para limpieza de automóviles, botes, motocicletas, etc. Se usa junto con la boquilla de presión o la lanza de extensión (WA4012). (Vea la Fig. K1, K2)

3. Limpiador de ventanas con rociador de agua (WA4050, se venden por separado)

La conexión rápida del limpiador de ventanas se conecta fácilmente en la herramienta para rociar agua y limpiar superficies de vidrio o azulejo. Adecuada para la lavadora a presión HYDROSHOT™ o la lanza de extensión (WA4012). (Vea la Fig. L1, L2, L3, L4)

4. Conector de tapa de botella (WA4038, se venden por separado)

El accesorio de tapa de botella permite que la herramienta se conecte directamente a la mayoría de las botellas de 2 litros con aberturas de aproximadamente 1" (NOTA: Puede no adaptarse a todas las botellas de refresco y agua consumibles) (Vea la Fig. M1, M2, M3)

⚠️ ADVERTENCIA: No instale el accesorio de la tapa de la botella hasta que esté listo para usar. Las ventilas de los accesorios fugarán líquido, si una botella está instalada, con la máquina acostada sobre una superficie.

5. Boquilla de turbo (WA4037, se venden por separado)

La boquilla de turbo descarga 360° de agua giratoria, que limpia una mayor área que el patrón de agua de 0° durante el mismo periodo de tiempo. Adecuada con la lanza de extensión instalada en la HYDROSHOT™. Se recomienda usarla con el ajuste de alta presión (Vea la Fig. N)

6. Adaptador de conexión rápida de pivote (WA4039, se venden por separado)

El Adaptador de conexión rápida de pivote permite que las puntas de limpieza a presión se ajusten completamente hasta 180° en cualquier dirección. Ideal para limpiar alrededor de áreas difíciles de alcanzar. Adecuada para el limpiador a presión HYDROSHOT™ y boquilla de rocío múltiple. (Vea la Fig. Q1, Q2)

7. Cepillo de limpieza giratorio (WA4042, se venden por separado)

El accesorio de cepillo de limpieza giratorio se conecta fácilmente en la herramienta para limpiar superficies

sensibles y alrededor de espacios estrechos. Adecuado para el limpiador a presión HYDROSHOT™ con/sin la lanza de extensión instalada. (Vea la Fig. R)

8. Depurador de automóvil/barco (WA1820, se venden por separado)

El accesorio de trapeador giratorio impulsado por agua se ajusta fácilmente a la herramienta para limpiar superficies. Adaptado para el limpiador portátil HYDROSHOT™ sin lanzas instaladas. (Ver la Fig. S1, S2) El cabezal de trapeador suave es aplicable para superficies sensibles.

9. Depurador de superficies duras (WA1821, se venden por separado)

El accesorio de trapeador giratorio impulsado por agua se ajusta fácilmente a la herramienta para limpiar superficies. Adaptado para el limpiador portátil HYDROSHOT™ sin lanzas instaladas. (Ver la Fig. S1, S2) El trapeador de cerdas duras es aplicable para limpiar superficies duras (no recomendado para automóviles).

MANTENIMIENTO

Retire el Paquete de la batería de la herramienta antes de realizar cualquier ajuste, servicio o mantenimiento.

Revise el producto respecto a partes dañadas o desgastadas antes de cada uso. No lo opere si encuentra partes dañadas o desgastadas. Póngase en contacto con su proveedor o fabricante respecto a partes de reemplazo.

Mantenimiento de filtro de manguera

Retire el filtro de manguera de ésta y retire el colador. Enjuague las partes con agua limpia antes de volver a ensamblar. (Vea la Fig. O1, O2)

Mantenimiento de pantalla de filtro

Retire el adaptador de manguera para llegar a la pantalla de filtro. (Vea la Fig. P1, P2) Enjuague las partes con agua limpia antes de volver a ensamblar.

NOTA: Cuando vuelva a apretar el adaptador rápido de manguera, por favor apriételo firmemente. De otra manera, puede no succionar agua para una operación adecuada.

⚠️ ADVERTENCIA: Cualquier otro servicio debe ser realizado por un representante de servicio autorizado.

LIMPIEZA/ ALMACENAMIENTO

Antes de almacenar, drene completamente toda el agua de la máquina y la manguera.

Limpie el alojamiento de plástico moldeado de la máquina con un cepillo suave y tela limpia. No use agua, solventes o pulidores. Guarde la máquina en un lugar seco - fuera del alcance de los niños. No coloque objetos encima de la máquina.

Guarde la máquina y los accesorios en un lugar libre de escarcha.

SOLUCIÓN DE PROBLEMAS

Problemas	Posibles causas	Acción
La máquina se apaga, pero no succiona agua o no hay suficiente presión.	La boquilla de presión está demasiado arriba de la superficie de la fuente de agua.	Baje la máquina a menos de 5pies/1.5m.
	El filtro de la manguera está bloqueado.	Retire el filtro de manguera y enjuague las partes con agua limpia. (Vea la Fig. O1, O2)
	La manguera de jardín del usuario no está bien conectada a la máquina.	Revise y vuelva a conectar la manguera de jardín firmemente. (Vea la Fig. F)
	Se afloja el adaptador de la manguera.	Apriete el adaptador de manguera firmemente con una llave.
	Falta la pantalla del filtro. (Vea la Fig. P1, P2)	Póngase en contacto con el agente de servicio Worx para obtener una pantalla de filtro.
	La pantalla de filtro está bloqueada. (Vea la Fig. P1, P2)	Limpie la pantalla de filtro regularmente.
	La bomba, manguera, u otras partes están congeladas debido a las temperaturas externas.	Espere que la bomba, la manguera u otras partes se descongelen.
	Torcedura de manguera.	Enderece la manguera.
Fugas de boquilla de rocío múltiple.	El patrón de la boquilla no rocía correctamente.	Asegúrese que el símbolo del patrón de la boquilla se alinee con la marca del indicador en la herramienta.
	El clavo de fijación de la boquilla de rocío múltiple se afloja.	Apriétela con una llave hexagonal.
La presión de salida se incrementa repentinamente.	La boquilla de rocío múltiple está bloqueada.	Reemplace con una boquilla de rocío múltiple nueva.
La máquina drena el agua después de detenerse.	Hay agua restante en la lanza y la bomba después de detenerse.	Drene toda el agua completamente antes de almacenar.
El accesorio de jabón no puede rociar el detergente.	Bloqueo en la botella de jabón.	Límpiala con agua limpia.
La máquina no arranca.	El paquete de batería no está bien conectado.	Vuelva a instalar el paquete de batería.
	El paquete de batería está vacío.	Reemplace con un paquete de batería nuevo o recargue el paquete de batería.
	Batería defectuosa.	Reemplace la batería.
La presión de la máquina no es consistente.	Se podría succionar aire adicional dentro de la máquina.	Revise la conexión entre el adaptador de la manguera y la manguera.
	Está en un ajuste de baja presión.	No se necesita ninguna acción.
La máquina se detiene automáticamente.	El paquete de la batería está vacío.	Reemplace con un paquete de batería nuevo o recargue el paquete de batería.
	La boquilla de rocío múltiple está bloqueada. Se activa la protección de corriente.	Retire la boquilla de rocío múltiple y encienda la máquina. Si la máquina funciona normalmente, reemplace con una boquilla de rocío múltiple nueva.

La máquina no extraerá agua después de mucho tiempo de almacenamiento.

Se podría aspirar aire adicional en la máquina.

Conecte la máquina a la fuente de agua y, a continuación, enciéndala.

WORX
©
it's your nature

www.worx.com

Copyright © 2020, Positec. All Rights Reserved.

Copyright © 2020, Positec. Tous droits réservés.

© Derechos reservados 2020, Positec. Todos los derechos reservados.

AR01498901