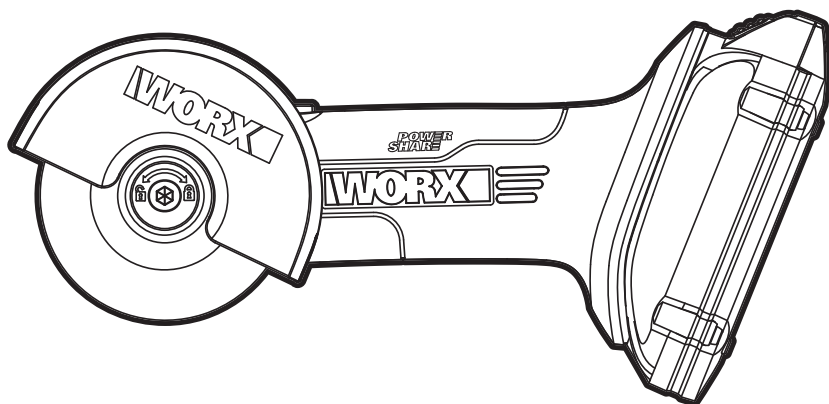


WORX®

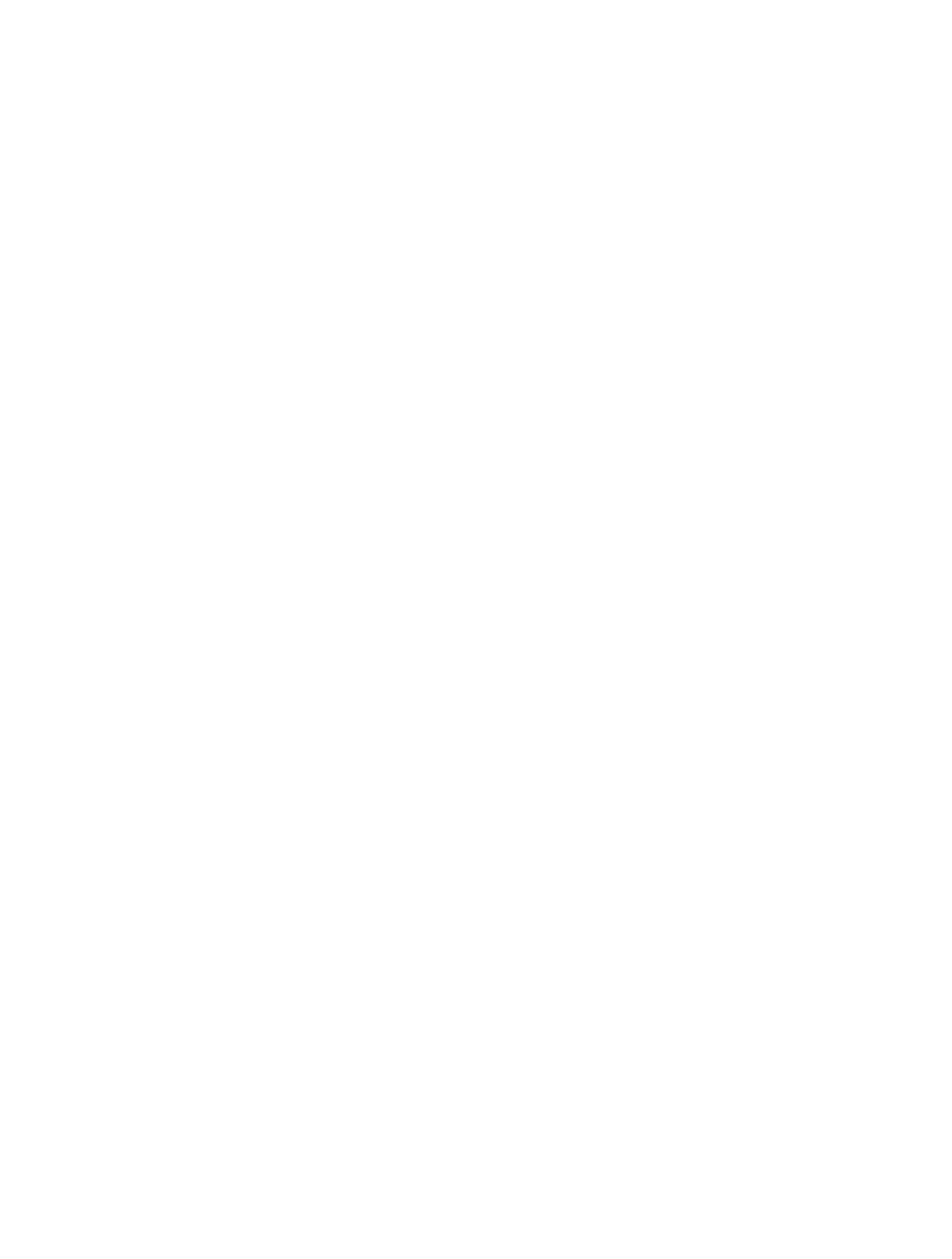


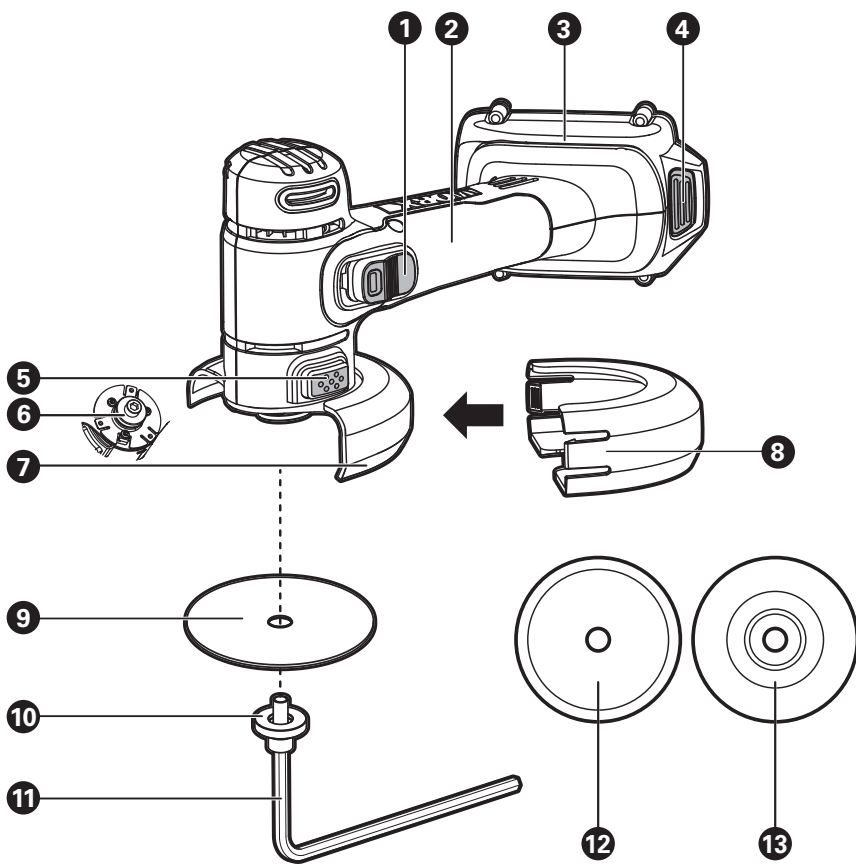
Cordless Mini Cutter	EN	P06
Mini Découpeur Sans Fil	F	P15
Mini Cortador Inalámbrico	ES	P25

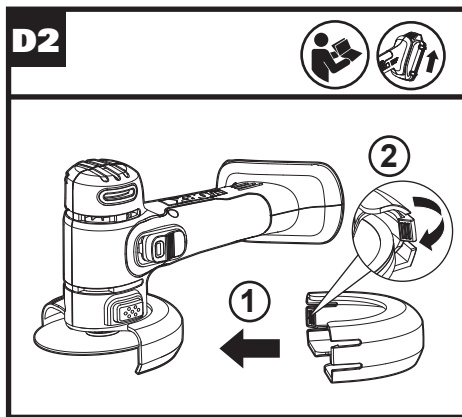
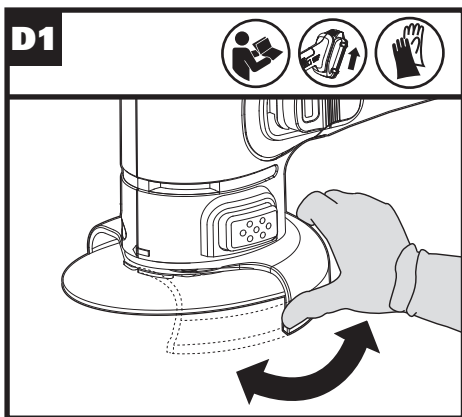
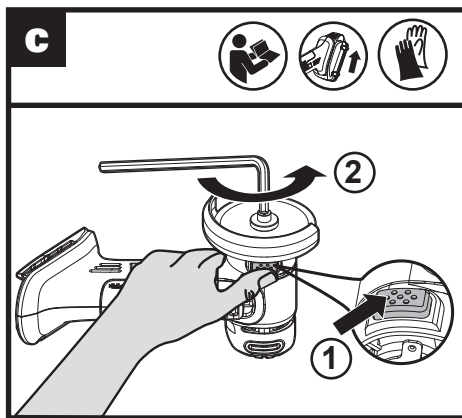
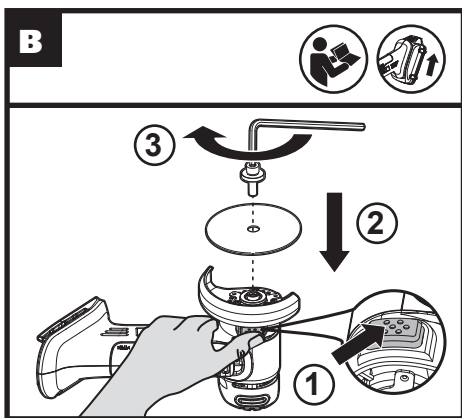
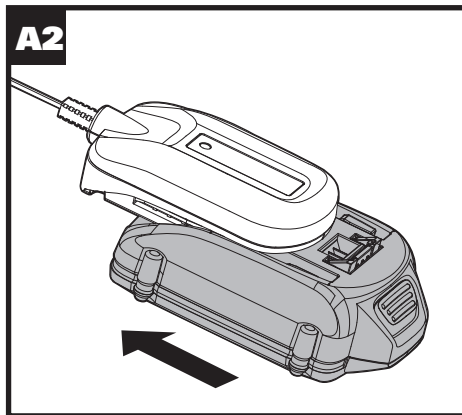
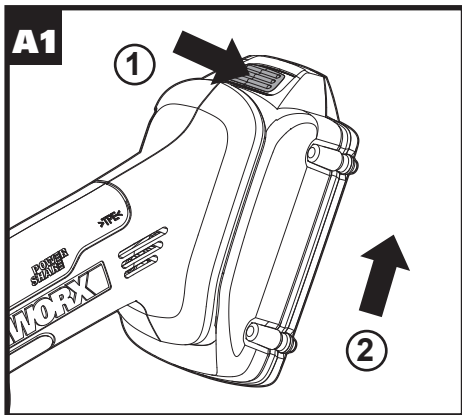


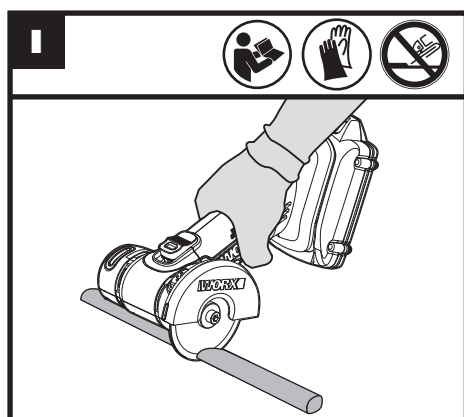
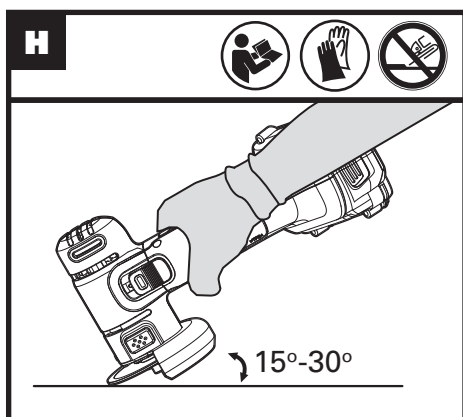
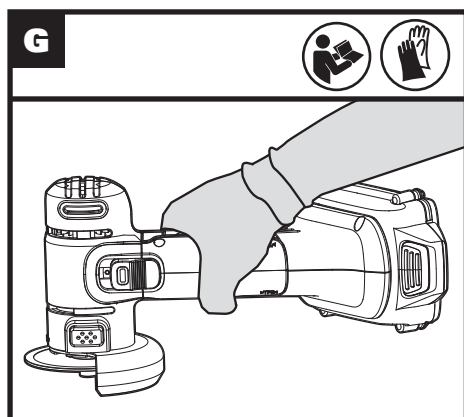
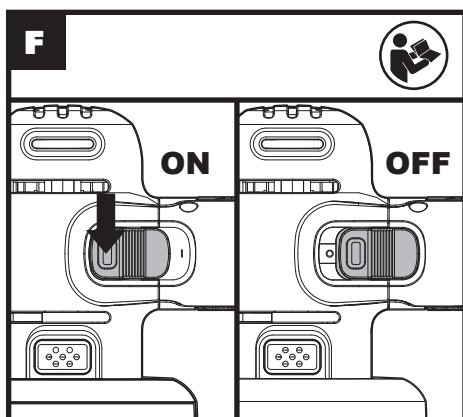
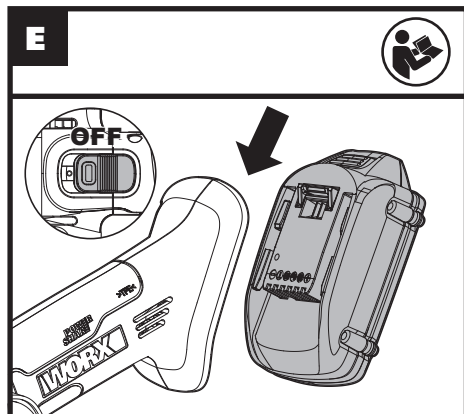
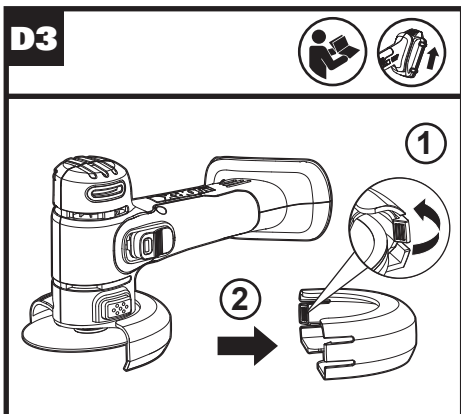
HELPLINE NUMBER
NUMERO DU SERVICE D'ASSISTANCE
NUMERO DE LINEA DE AYUDA
1-866-354-WORX (9679)

WX801L WX801L.9









PRODUCT SAFETY

WARNING: Some dust created by power sanding, sawing, grinding, drilling and other construction activities contains chemicals known to the state of California to cause cancer, birth defects or other reproductive harm. Some examples of these chemicals are:

- Lead from lead-based paints;
- Crystalline silica from bricks and cement and other masonry products;
- Arsenic and chromium from chemically-treated lumber.

Your risk from these exposures varies, depending on how often you do this type of work. To reduce your exposure to these chemical: work in a well ventilated area, and work with approved safety equipment, such as those dust masks that are specially designed to filter out microscopic particles.

WARNING: This product can expose you to chemicals including lead and Di (2-ethylhexyl) phthalate (DEHP) which are known to the State of California to cause cancer and birth defects or other reproductive harm. For more information go to www.P65Warnings.ca.gov.

GENERAL POWER TOOL SAFETY WARNINGS

WARNING: Read all safety warnings and instructions. Failure to follow the warnings and instructions may result in electric shock, fire and/or serious injury.

Save all warnings and instructions for future reference.

The term "power tool" in the warnings refers to your mains-operated (corded) power tool or battery-operated (cordless) power tool.

1. WORK AREA SAFETY

- Keep work area clean and well lit.** Cluttered or dark areas invite accidents.
- Do not operate power tools in explosive atmospheres, such as in the presence of flammable liquids,**

gases or dust. Power tools create sparks which may ignite the dust or fumes.

- Keep children and bystanders away while operating a power tool.** Distractions can cause you to lose control.

2. ELECTRICAL SAFETY

- Power tool plugs must match the outlet. Never modify the plug in any way. Do not use any adapter plugs with earthed (grounded) power tools.** Unmodified plugs and matching outlets will reduce risk of electric shock.
- Avoid body contact with earthed or grounded surfaces, such as pipes, radiators, ranges and refrigerators.** There is an increased risk of electric shock if your body is earthed or grounded.
- Do not expose power tools to rain or wet conditions.** Water entering a power tool will increase the risk of electric shock.
- Do not abuse the cord. Never use the cord for carrying, pulling or unplugging the power tool. Keep cord away from heat, oil, sharp edges or moving parts.** Damaged or entangled cords increase the risk of electric shock.
- When operating a power tool outdoors, use an extension cord suitable for outdoor use.** Use of a cord suitable for outdoor use reduces the risk of electric shock.
- If operating a power tool in a damp location is unavoidable, use a residual current device (RCD) protected supply.** Use of an RCD reduces the risk of electric shock.

3) PERSONAL SAFETY

- Stay alert, watch what you are doing and use common sense when operating a power tool. Do not use a power tool while you are tired or under the influence of drugs, alcohol or medication.** A moment of inattention while operating power tools may result in serious personal injury.
- Use personal protective equipment. Always wear eye protection.** Protective equipment such as dust mask, non-skid safety shoes, hard hat, or

hearing protection used for appropriate conditions will reduce personal injuries.

- c) Prevent unintentional starting. Ensure the switch is in the off-position before connecting to power source and/or battery pack, picking up or carrying the tool.** Carrying power tools with your finger on the switch or energising power tools that have the switch on invites accidents.
 - d) Remove any adjusting key or wrench before turning the power tool on.** A wrench or a key left attached to a rotating part of the power tool may result in personal injury.
 - e) Do not overreach. Keep proper footing and balance at all times.** This enables better control of the power tool in unexpected situations.
 - f) Dress properly. Do not wear loose clothing or jewellery. Keep your hair and clothing away from moving parts.** Loose clothes, jewellery or long hair can be caught in moving parts.
 - g) If devices are provided for the connection of dust extraction and collection facilities, ensure these are connected and properly used.** Use of dust collection can reduce dust-related hazards.
- 4) Power tool use and care**
- a) Do not force the power tool. Use the correct power tool for your application.** The correct power tool will do the job better and safer at the rate for which it was designed.
 - b) Do not use the power tool if the switch does not turn it on and off.** Any power tool that cannot be controlled with the switch is dangerous and must be repaired.
 - c) Disconnect the plug from the power source and/or remove the battery pack, if detachable, from the power tool before making any adjustments, changing accessories, or storing power tools.** Such preventive safety measures reduce the risk of starting the power tool accidentally.
 - d) Store idle power tools out of the reach of children and do not allow persons unfamiliar with the power tool or these instructions to operate the power tool.** Power tools are dangerous in the hands of untrained users.

- e) Maintain power tools and accessories. Check for misalignment or binding of moving parts, breakage of parts and any other condition that may affect the power tool's operation. If damaged, have the power tool repaired before use.** Many accidents are caused by poorly maintained power tools.
 - f) Keep cutting tools sharp and clean.** Properly maintained cutting tools with sharp cutting edges are less likely to bind and are easier to control.
 - g) Use the power tool, accessories and tool bits etc. in accordance with these instructions, taking into account the working conditions and the work to be performed.** Use of the power tool for operations different from those intended could result in a hazardous situation.
- 5) Battery tool use and care**
- a) Recharge only with the charger specified by the manufacturer.** A charger that is suitable for one type of battery pack may create a risk of fire when used with another battery pack.
 - b) Use power tools only with specifically designated battery packs.** Use of any other battery packs may create a risk of injury and fire.
 - c) When battery pack is not in use, keep it away from other metal objects, like paper clips, coins, keys, nails, screws or other small metal objects, that can make a connection from one terminal to another.** Shorting the battery terminals together may cause burns or a fire.
 - d) Under abusive conditions, liquid may be ejected from the battery; avoid contact. If contact accidentally occurs, flush with water. If liquid contacts eyes, additionally seek medical help.** Liquid ejected from the battery may cause irritation or burns.
- 6) Service**
- a) Have your power tool serviced by a qualified repair person using only identical replacement parts.** This will ensure that the safety of the power tool is maintained.

SAFETY INSTRUCTIONS FOR ALL OPERATIONS

Safety Warnings Common for Grinding, Abrasive Cutting-Off

Operations:

- a) **This power tool is intended to function as a grinder, cut-off tool. Read all safety warnings, instructions, illustrations and specifications provided with this power tool.** Failure to follow all instructions listed below may result in electric shock, fire and/or serious injury.
- b) **Operations such as sanding, wire brushing, polishing are not recommended to be performed with this power tool.** Operations for which the power tool was not designed may create a hazard and cause personal injury.
- c) **Do not use accessories which are not specifically designed and recommended by the tool manufacturer.** Just because the accessory can be attached to your power tool, it does not assure safe operation.
- d) **The rated speed of the accessory must be at least equal to the maximum speed marked on the power tool.** Accessories running faster than their RATED SPEED can break and fly apart.
- e) **The outside diameter and the thickness of your accessory must be within the capacity rating of your power tool.** Incorrectly sized accessories cannot be adequately guarded or controlled.
- f) **Threaded mounting of accessories must match the GRINDER spindle thread. For accessories mounted by FLANGES, the arbour hole of the accessory must fit the locating diameter of the FLANGE.** Accessories that do not match the mounting hardware of the power tool will run out of balance, vibrate excessively and may cause loss of control.
- g) **Do not use a damaged accessory. Before each use inspect the accessory such as abrasive wheels for chips and cracks, backing pad for cracks, tear or excess wear, wire brush for loose or cracked wires. If power tool or accessory is dropped, inspect for damage or install an undamaged accessory.**
- h) **Wear personal protective equipment. Depending on application, use face shield, safety goggles or safety glasses. As appropriate, wear dust mask, hearing protectors, gloves and workshop apron capable of stopping small abrasive or workpiece fragments.** The eye protection must be capable of stopping flying debris generated by various operations. The dust mask or respirator must be capable of filtering particles generated by your operation. Prolonged exposure to high intensity noise may cause hearing loss.
- i) **Keep bystanders a safe distance away from work area. Anyone entering the work area must wear personal protective equipment.** Fragments of workpiece or of a broken accessory may fly away and cause injury beyond immediate area of operation.
- j) **Hold the power tool by insulated gripping surfaces only, when performing an operation where the cutting accessory may contact hidden wiring.** Cutting accessory contacting a "live" wire may make exposed metal parts of the power tool "live" and could give the operator an electric shock.
- k) **Never lay the power tool down until the accessory has come to a complete stop.** The spinning accessory may grab the surface and pull the power tool out of your control.
- l) **Do not run the power tool while carrying it at your side.** Accidental contact with the spinning accessory could snag your clothing, pulling the accessory into your body.
- m) **Regularly clean the power tool's air vents.** The motor's fan will draw the dust inside the housing and excessive accumulation of powdered metal may cause electrical hazards.
- n) **Do not operate the power tool near flammable materials.** Sparks could ignite these materials.

- o) Do not use accessories that require liquid coolants.** Using water or other liquid coolants may result in electrocution or shock.

FURTHER SAFETY INSTRUCTIONS FOR ALL OPERATIONS

KICKBACK AND RELATED WARNINGS

Kickback is a sudden reaction to a pinched or snagged rotating wheel, backing pad, brush or any other accessory. Pinching or snagging causes rapid stalling of the rotating accessory which in turn causes the uncontrolled power tool to be forced in the direction opposite of the accessory's rotation at the point of the binding.

For example, if an abrasive wheel is snagged or pinched by the workpiece, the edge of the wheel that is entering into the pinch point can dig into the surface of the material causing the wheel to climb out or kick out. The wheel may either jump toward or away from the operator, depending on direction of the wheel's movement at the point of pinching. Abrasive wheels may also break under these conditions. Kickback is the result of power tool misuse and/or incorrect operating procedures or conditions and can be avoided by taking proper precautions as given below.

- a) Maintain a firm grip on the power tool and position your body and arm to allow you to resist kickback forces. Always use auxiliary handle, if provided, for maximum control over kickback or torque reaction during start-up.** The operator can control torque reactions or kickback forces, if proper precautions are taken.
- b) Never place your hand near the rotating accessory.** Accessory may kickback over your hand.
- c) Do not position your body in the area where power tool will move if kickback occurs.** Kickback will propel the tool in direction opposite to the wheel's movement at the point of snagging.
- d) Use special care when working corners, sharp edges etc. Avoid bouncing and snagging the**

rotating accessory and cause loss of control or kickback.

- e) Do not attach a saw chain woodcarving blade or toothed saw blade.** Such blades create frequent kickback and loss of control.

ADDITIONAL SAFETY INSTRUCTIONS FOR GRINDING AND CUTTING-OFF OPERATIONS

Safety Warnings Specific for Grinding and Abrasive Cutting-Off Operations:

- a) Use only wheel types that are recommended for your power tool and the specific guard designed for the selected wheel.** Wheels for which the power tool was not designed cannot be adequately guarded and are unsafe.
- b) The grinding surface of centre depressed wheels must be mounted below the plane of the guard lip.** An improperly mounted wheel that projects through the plane of the guard lip cannot be adequately protected.
- c) The guard must be securely attached to the power tool and positioned for maximum safety, so the least amount of wheel is exposed towards the operator.** The guard helps to protect the operator from broken wheel fragments, accidental contact with wheel and sparks that could ignite clothing.
- d) Wheels must be used only for recommended applications. For example: do not grind with the side of cut-off wheel.** Abrasive cut-off wheels are intended for peripheral grinding, side forces applied to these wheels may cause them to shatter.
- e) Always use undamaged wheel flanges that are of correct size and shape for your selected wheel.** Proper wheel flanges support the wheel thus reducing the possibility of wheel breakage. flanges for cut-off wheels may be different from grinding wheel flanges.
- f) Do not use worn down wheels from larger power tools.** Wheel intended for larger power tool is not suitable for the higher speed of a smaller tool and may burst.

ADDITIONAL SAFETY INSTRUCTIONS FOR CUTTING-OFF OPERATIONS







Additional Safety Warnings Specific for Abrasive Cutting-Off Operations:

- a) **Do not “jam” the cut-off wheel or apply excessive pressure. Do not attempt to make an excessive depth of cut.** Overstressing the wheel increases the loading and susceptibility to twisting or binding of the wheel in the cut and the possibility of kickback or wheel breakage.
- b) **Do not position your body in line with and behind the rotating wheel.** When the wheel, at the point of operation, is moving away from your body, the possible kickback may propel the spinning wheel and the power tool directly at you.
- c) **When wheel is binding or when interrupting a cut for any reason, switch off the power tool and hold the power tool motionless until the wheel comes to a complete stop. Never attempt to remove the cut-off wheel from the cut while the wheel is in motion otherwise kickback may occur.** Investigate and take corrective action to eliminate the cause of wheel binding.
- d) **Do not restart the cutting operation in the workpiece. Let the wheel reach full speed and carefully reenter the cut.** The wheel may bind, walk up or kickback if the power tool is restarted in the workpiece.
- e) **Support panels or any oversized workpiece to minimize the risk of wheel pinching and kickback.** Large workpieces tend to sag under their own weight. Supports must be placed under the workpiece near the line of cut and near the edge of the workpiece on both sides of the wheel.
- f) **Use extra caution when making a “pocket cut” into existing walls or other blind areas.** The protruding wheel may cut gas or water pipes, electrical wiring or objects that can cause kickback.

SAFETY WARNINGS FOR BATTERY PACK

- a) **Do not dismantle, open or shred battery pack.**
- b) **Do not expose battery pack to heat or fire. Avoid storage in direct sunlight.**
- c) **Do not short-circuit a battery pack. Do not store battery packs haphazardly in a box or drawer where they may short-circuit each other or be short-circuited by other metal objects.** When battery pack is not in use, keep it away from other metal objects, like paper clips, coins, keys, nails, screws or other small metal objects, that can make a connection from one terminal to another. Shorting the battery terminals together may cause burns or fire.
- d) **Do not remove battery pack from its original packaging until required for use.**
- e) **Do not subject battery pack to mechanical shock.**
- f) **In the event of battery leaking, do not allow the liquid to come in contact with the skin or eyes. If contact has been made, wash the affected area with copious amounts of water and seek medical advice.**
- g) **Observe the plus (+) and minus (-) marks on the battery pack and equipment and ensure correct use.**
- h) **Do not use any battery pack which is not designed for use with the equipment.**
- i) **Keep battery pack out of the reach of children.**
- j) **Seek medical advice immediately if a cell or battery has been swallowed.**
- k) **Always purchase the battery pack recommended by the device manufacturer for the equipment.**
- l) **Keep battery pack clean and dry.**
- m) **Wipe the battery pack terminals with a clean dry cloth if they become dirty.**
- n) **Battery pack need to be charged before use. Always use the correct charger and refer to the manufacturer’s instructions or equipment manual for proper charging instructions.**

- o) Do not leave battery pack on prolonged charge when not in use.**
- p) After extended periods of storage, it may be necessary to charge and discharge the battery pack several times to obtain maximum performance.**
- q) Battery pack gives its best performance when it is operated at normal room temperature (20 °C ± 5 °C)/ (68 °F ± 9 °F).**
- r) When disposing of battery packs, keep battery packs of different electrochemical systems separate from each other.**
- s) Recharge only with the charger specified by WORX. Do not use any charger other than that specifically provided for use with the equipment.** A charger that is suitable for one type of battery pack may create a risk of fire when used with another battery pack.
- t) Retain the original product literature for future reference.**
- u) Use only the battery pack in the application for which it was intended.**
- v) Remove the battery pack from the equipment when not in use.**
- w) Dispose of properly.**

	Wear protective gloves.
	Not permitted for face grinding with abrasive cutting off wheels
	Make sure the battery is removed prior to changing accessories.
 Li-Ion	Li-Ion battery, battery must be recycled
	Do not burn
	Do not expose to rain or water

SYMBOLS

	To reduce the risk of injury, user must read instruction manual
	Wear ear protection
	Wear eye protection
	Wear dust mask
	Warning



call2recycle®

POSITEC Inc. has established a partnership with the RBRC Corporation to recycle any Positec batteries with the RBRC-call2recycle seal. For environmental protection, please do not discard batteries in the trash. After the batteries' life cycle is ended, then please call 1-800-822-8837 for a free service that will properly dispose of the battery.

COMPONENT LIST

1. ON / OFF SWITCH
2. HAND GRIP AREA
3. BATTERY PACK *
4. BATTERY PACK RELEASE BUTTON*
5. SPINDLE LOCK BUTTON
6. SPINDLE
7. WHEEL GUARD FOR GRINDING
8. WHEEL GUARD FOR CUTTING
9. METAL CUTTING DISC
10. CLAMPING BOLT WITH WASHER
11. HEX KEY
12. ABRASIVE CUTTING DISC
13. GRINDING DISC

*Not all the accessories illustrated or described are included in standard delivery.

TECHNICAL DATA

Type **WX801L WX801L.9 (80 - designation of machinery, representative of Mini Cutter)**

	WX801L	WX801L.9
Rated voltage	20V \equiv Max**	
Rated speed	1950rpm	
Spindle thread	M6	
Thickness of metal cutting disc	3/64" ~1/16"	
Thickness of abrasive cutting disc	1/16"	
Thickness of grinding disc	5/32"	
Disc size	3"	
Disc bore	3/8"	
Machine weight	2.4lbs	1.5lbs


**Voltage measured without workload. Initial battery voltage reaches maximum of 20 volts. Nominal voltage is 18 volts.

ACCESSORIES

	WX801L	WX801L.9
Metal cutting discs	2	2
Abrasive cutting disc	1	1
Grinding disc	1	1
Hex key	1	1
Charger (WA3742)	1	/
Battery Pack (WA3520)	1	/

Only use the appropriate accessories intended for this tool. Accessory information can be found on the product packaging, at a WORX dealer or on our website at www.worx.com

OPERATING INSTRUCTIONS

 **NOTE:** Before using the tool, read the instruction book carefully.

INTENDED USE:

The machine is intended for cutting, roughing and brushing metal and stone materials without using water. For cutting metal, a special protection guard for cutting (accessory) must be used.

ASSEMBLY AND OPERATION

ACTION	FIGURE
BEFORE OPERATION	
Removing the Battery Pack	See Fig. A1
Charging the Battery Pack	See Fig. A2
ASSEMBLY	

<p>Lock the spindle and assembling metal cutting disc/abrasive cutting disc / grinding disc</p> <p>NOTE: Press and hold the spindle lock button to lock the spindle.</p> <p>NOTE: Make sure that the metal cutting disc/abrasive cutting disc /grinding disc is assembled firmly.</p> <p>WARNING! Before any work on the machine itself, remove the battery pack.</p>	<p>See Fig. B</p>
<p>Lock the spindle and removing metal cutting disc/abrasive cutting disc / grinding disc</p>	<p>See Fig. C</p>
<p>Adjusting Wheel Guard for grinding/cutting</p> <p>Note: Remove the battery pack before making any changes to the tool. For work with grinding or cutting discs, the protection guard must be mounted. Use the correct type of disc for your application. If the power tool is intended to perform any cut-off operations, a guard specific for this operation must be installed.</p>	<p>See Fig. D1,D2,D3</p>

<p>Installing the Battery Pack</p> <p>WARNING: Before inserting the battery pack, make sure that the ON/OFF Switch is in OFF position.</p> <p>WARNING: When replacing the battery pack, do not insert the battery pack until the metal cutting disc/ abrasive cutting disc / grinding disc comes to a complete stop!</p>	<p>See Fig. E</p>
<p>OPERATION</p>	
<p>Using On/Off Switch</p> <p>Note: Depress the On/ Off switch forward to lock-on button. Your switch is now locked on for continuous use.</p>	<p>See Fig. F</p>
<p>Hand grip areas</p>	<p>See Fig. G</p>
<p>Rough Grinding</p> <p>WARNING! Never use a cutting disc for rough grinding applications. This can cause bodily damaged by using the tool for wrong applications.</p>	<p>See Fig. H</p>
<p>Cutting</p>	<p>See Fig. I</p>

WORKING WITH THE MINI CUTTER

1. Always start at no load to achieve maximum speed then start working.
2. Do not force the disc to work faster, reducing the Disc's moving speed means longer working time.
3. Always work with a 15-30 angle between disc and workpiece when grinding. Larger angles will cut ridges into the workpiece and affect the surface finish. Move the tool across and back and forth over the workpiece.
4. When using a cutting disc never change the cutting angle otherwise you will stall the disc and mini cutter motor or break the disc. When cutting, only cut in the opposite direction to the disc rotation. If you cut in the same direction as the disc rotation the disc may push itself out of the cut slot.
5. When cutting very hard material best results can be achieved with a abrasive cutting disc.
6. When using a abrasive cutting disc it will become very hot. If this happens you will see a full ring of sparks around the rotating disc. Stop cutting and allow to cool at no load speed for 2-3 minutes.
7. Always ensure the workpiece is firmly held or clamped to prevent movement.

MAINTENANCE

Remove the battery before carrying out any adjustment, servicing or maintenance.

There are no user serviceable parts in your power tool. Never use water or chemical cleaners to clean your power tool. Wipe clean with a dry cloth. Always store your power tool in a dry place. Keep the motor ventilation slots clean. Keep all working controls free of dust. Occasionally you may see sparks through the ventilation slots. This is normal and will not damage your power tool. Store the accessories in a dry place.

TROUBLESHOOTING

Although your new mini cutter is really very simple to operate, if you do experience problems, please check the following:

1. If your grinder wheel wobbles or vibrates, check that outer flange is tight; check that the wheel is correctly located on the flange plate.
2. If there is any evidence that the wheel is damaged do not use as the damaged wheel may disintegrate, remove it and replace with a new wheel. Dispose of old wheels sensibly.
3. If working on aluminum or a similar soft alloy, the wheel will soon become clogged and will not grind effectively.
4. When overloaded, the motor comes to a stop.
Relieve the load on the machine immediately and allow cooling for approx. 30 seconds at the highest no-load speed.
5. When using as intended for the power tool cannot be subject to overload. When the load is too high or the allowable battery temperature of 75°C (167°F) is exceeded, the electronic control switches off the power tool until the temperature is in the optimum temperature range again.
6. If machine is blocked, please turn it off and turn it on again after 1~2 seconds.

SÉCURITÉ DU PRODUIT

AVERTISSEMENT: Certaines des poussières produites en utilisant des outils électriques sont considérées par l'État de Californie comme susceptibles de provoquer le cancer, des anomalies congénitales et d'autres problèmes de reproduction. Voici des exemples de ces produits chimiques:

- Plomb issu de peinture à base de plomb;
- Silice cristalline issue de briques et du ciment et autres produits de maçonnerie;
- Arsenic et chrome issus de bois traité chimiquement.

Votre risque de ces expositions varie en fonction de la fréquence à laquelle vous effectuez ce travail. Pour réduire votre exposition à ces produits chimiques: travaillez dans une zone bien ventilée; portez un équipement de sécurité approuvé, tel que des masques anti poussières spécialement conçus pour éliminer les particules microscopiques par filtrage.

AVERTISSEMENT: Ce dispositif peut vous exposer aux produits chimiques notamment le plomb et le di-phthalate (de 2-éthylhexyle) (DEHP) qui sont reconnus dans l'État de Californie comme causant des cancers et des anomalies congénitales ou d'autres anomalies de la reproduction. Pour en savoir plus, veuillez consulter le site www.PG5Warnings.ca.gov.

AVERTISSEMENTS GÉNÉRAUX CONCERNANT LA SÉCURITÉ DES OUTILS ÉLECTRIQUES

AVERTISSEMENT! Lisez et assimilez toutes les instructions. Le non-respect des instructions ci-après peut entraîner un risque de choc électrique, d'incendie et/ou de blessures graves.

Conservez tous les avertissements et instructions pour pouvoir les consulter ultérieurement.

L'expression « outil électrique » dans tous

les avertissements énumérés ci-dessous se réfère à votre outil électrique fonctionnant sur secteur (branché) ou à batterie (sans-fil).

1. AIRE DE TRAVAIL

- Veillez à ce que l'aire de travail soit propre et bien éclairée.** Le désordre et le manque de lumière favorisent les accidents.
- N'utilisez pas d'outils électriques dans un milieu présentant un risque d'explosion, par exemple en présence de liquides, de gaz ou de poussières inflammables.** Les outils électriques créent des étincelles qui pourraient enflammer les poussières ou les vapeurs.
- Gardez à distance les curieux, les enfants et les visiteurs lorsque vous travaillez avec un outil électrique.** Ils pourraient vous distraire et vous faire faire une fausse manœuvre.

2. SÉCURITÉ ÉLECTRIQUE

- Les fiches des outils électriques doivent correspondre aux prises murales. Ne jamais modifier la fiche de quelque façon que ce soit. Ne pas utiliser de fiches d'adaptation avec des outils électriques mis à la terre (mis à la masse).** Des fiches non modifiées et des prises qui leur correspondent réduiront le risque de choc électrique.
- Évitez tout contact corporel avec des surfaces mises à la terre (tuyauterie, radiateurs, cuisinières, réfrigérateurs, etc.).** Le risque de choc électrique est plus grand si votre corps est en contact avec la terre.
- N'exposez pas les outils électriques à la pluie ou à l'eau.** La présence d'eau dans un outil électrique augmente le risque de choc électrique.
- Ne maltraitez pas le cordon. Ne transportez jamais l'outil par son cordon et ne débranchez jamais la fiche en tirant sur le cordon. N'exposez pas le cordon à la chaleur, à des huiles, à des arrêtes vives ou à des pièces en mouvement.** Un cordon endommagé augmente le risque de choc électrique.
- Lorsque vous utilisez un outil électrique à l'extérieur, utilisez un prolongateur adapté à une utilisation**

en extérieur. L'utilisation d'un cordon adapté à une utilisation extérieure réduit le risque de choc électrique.

- f) Si vous devez utiliser un outil électrique dans un endroit humide, utilisez un dispositif de courant résiduel (RCD) d'alimentation protégée.** L'utilisation d'un RCD réduit le risque de choc électrique.

3. SÉCURITÉ DES PERSONNES

- a) Restez alerte, concentrez-vous sur votre travail et faites preuve de bon sens. N'utilisez pas un outil électrique si vous êtes fatigué ou sous l'influence de drogues, d'alcool ou de médicaments.** Un instant d'inattention lors de l'utilisation d'outils électriques peut entraîner des blessures graves.
- b) Utilisez des accessoires de sécurité. Portez toujours une protection oculaire.** De l'équipement de sécurité tel que le masque antipoussière, les chaussures de sécurité antidérapantes, des casques durs ou des protections antibruit utilisés dans des conditions appropriées réduiront les blessures corporelles.
- c) Évitez les démarrages accidentels. Avant d'insérer la batterie dans l'outil, assurez-vous que son interrupteur est en position « OFF » (Arrêt) ou verrouillée.** Le fait de transporter un outil avec le doigt sur la détente/l'interrupteur ou d'insérer la batterie dans un outil dont la détente est en position « ON » (Marche) peut causer un accident.
- d) Retirer les clés de réglage avant de mettre l'outil sous tension.** Une clé restée attachée à une partie mobile de l'outil pourrait entraîner des blessures corporelles.
- e) Ne vous penchez pas trop en avant. Maintenez un bon appui et restez en équilibre en tout temps.** Une bonne stabilité vous permet de mieux réagir à une situation inattendue.
- f) Habillez-vous convenablement. Ne portez ni vêtements flottants ni bijoux. Gardez les cheveux, les vêtements et les gants éloignés des pièces en mouvement.** Les vêtements flottants, les bijoux ou les cheveux longs risquent d'être happés par des pièces en mouvement.

- g) Si un sac de récupération de la poussière est fourni avec un connecteur pour aspirateur, assurez-vous qu'il est correctement relié et utilisé de façon appropriée.** L'utilisation de ce système réduit les dangers physiques et physiologiques liés à la poussière.

4. UTILISATION ET ENTRETIEN DE L'OUTIL

- a) Ne forcez pas l'outil. Utilisez l'outil approprié à la tâche.** L'outil approprié fonctionne mieux et de façon plus sécuritaire. Respectez aussi la vitesse de travail qui lui est propre.
- b) N'utilisez pas un outil si l'interrupteur ne le met pas en marche ou ne peut l'arrêter.** Un outil qui ne peut être contrôlé par l'interrupteur est dangereux et doit être réparé.
- c) Débranchez la batterie de l'outil ou mettez son interrupteur en position « OFF » (Arrêt) ou « LOCKED » (Verrouillé) avant d'effectuer un réglage, de changer d'accessoire ou de ranger l'outil.** De telles mesures de sécurité préventive réduisent le risque de démarrage accidentel de l'outil.
- d) Rangez les outils hors de portée des enfants et d'autres personnes inexpérimentées.** Les outils sont dangereux dans les mains d'utilisateurs novices.
- e) Prenez soin de bien entretenir les outils. Soyez attentif à tout désalignement ou coincement des pièces en mouvement, à tout bris ou à toute autre condition préjudiciable au bon fonctionnement de l'outil.** Si vous constatez qu'un outil est endommagé, faites-le réparer avant de vous en servir. De nombreux accidents sont causés par des outils en mauvais état.
- f) Les outils de coupe doivent être toujours bien affûtés et propres.** Des outils bien entretenus, dont les arêtes sont bien tranchantes, sont moins susceptibles de se coincer et plus faciles à contrôler.
- g) Utilisez l'outil électrique, les accessoires et les forets etc., en conformité avec ces instructions et de la manière conçue pour le type particulier d'outil électrique,**

prend en compte les conditions de travail et le travail qui doit être accompli. L'emploi de l'outil électrique pour des opérations différentes de celles pour lesquelles il a été conçu pourrait entraîner une situation dangereuse.

5. UTILISATION DE LA BATTERIE ET ENTRETIEN

- a) Un outil à batterie avec batteries incorporées ou une batterie séparée doit être rechargé uniquement avec le chargeur indiqué pour la batterie.** Un chargeur qui peut être adéquat pour un type de batterie peut créer un risque d'incendie lorsqu'il est utilisé avec une autre batterie.
- b) Utiliser un outil à batterie uniquement avec la batterie désignée.** L'emploi de toute autre batterie peut créer un risque d'incendie.
- c) Lorsque la batterie n'est pas utilisée, tenez-la à l'écart d'autres objets métalliques tels que trombones, pièces de monnaie, clés, clous, vis ou autres petits objets métalliques susceptibles d'établir une connexion d'une borne à une autre.** Le court-circuitage des bornes de batterie peut causer des étincelles, des brûlures, une explosion ou un incendie.
- d) Dans le cadre de conditions d'abus, du fluide peut être éjecté de la batterie, évitez tout contact. Si un contact se produisait accidentellement, rincez abondamment avec de l'eau. Si le fluide touche les yeux, cherchez en plus de la mesure précédente de l'aide médicale.** Le fluide éjecté de la batterie peut causer des irritations ou des brûlures.

6. ENTRETIEN

- a) Ayez votre outil électrique entretenu par un réparateur agréé n'utilisant que des pièces de rechange identiques.** Cela assurera que la sécurité de l'outil électrique est maintenue.

INSTRUCTIONS SUPPLÉMENTAIRES CONCERNANT LA SÉCURITÉ DE VOTRE OUTIL

Mises en garde de sécurité pour le ponçage ou la coupe abrasive :

- a) Cet outil électrique est conçu pour fonctionner comme meuleuse, ou comme outil à tronçonner. Lisez toutes les consignes de sécurité, instructions, illustrations et spécifications fournies avec cet outil électrique.** Le fait de ne pas suivre toutes les instructions énumérées ci-dessous peut entraîner des chocs électriques et/ou de graves blessures.
- b) Il est déconseillé d'effectuer des opérations comme le ponçage, le broissage, le polissage avec cet outil électrique.** Toute utilisation non-conforme risque de provoquer une situation dangereuse et causer des blessures personnelles.
- c) N'utilisez pas des accessoires qui ne sont pas spécifiquement conçus et recommandés par le fabricant d'outils.** Le simple fait que l'accessoire puisse être fixé à votre outil électrique ne signifie pas que le fonctionnement sera sécurisé.
- d) La vitesse nominale de l'accessoire doit être au moins égale à la vitesse maximale indiquée sur l'outil électrique.** Des accessoires fonctionnant plus rapidement que leur vitesse nominale risquent de voler en éclats.
- e) Le diamètre externe et l'épaisseur de votre accessoire doivent correspondre à la puissance nominale de votre outil électrique.** Des accessoires aux dimensions inappropriées ne sont pas protégeables ou contrôlables.
- f) Lors du montage, le filetage des accessoires doit correspondre au filetage de l'axe de la meuleuse. Pour les accessoires montés avec une bride, le trou de l'arbre de l'accessoire doit correspondre au diamètre de positionnement de la bride.** Les accessoires qui ne correspondent pas au système de montage de l'outil électrique sont

déséquilibré, vibrent excessivement et peuvent entraîner une perte de contrôle.

- g) N'utilisez pas d'accessoire endommagé. Avant chaque utilisation, vérifiez que les accessoires, comme les meules à tronçonner, ne comportent pas de copeaux ni de fissures, que la plaque de renfort n'est ni fissurée ni déchirée, ni excessivement usée, et que la brosse métallique ne comporte aucun fil lâche ou cassé. Si l'outil électrique ou l'accessoire tombe, vérifiez qu'il n'est pas abîmé ou installez un accessoire en bon état. Après l'inspection et l'installation d'un accessoire, positionnez-vous ainsi que les spectateurs à distance du plan de rotation de l'accessoire et opérez l'outil électrique à la vitesse maximale à vide pendant une minute.** Normalement, tout accessoire endommagé se brisera au cours de ce temps d'essai.
- h) Portez un équipement de protection personnelle. En fonction de l'application, utilisez un écran facial ou des lunettes de sécurité ou de protection. Si nécessaire, portez un masque anti-poussières, des protège-tympans, des gants et un tablier d'atelier capable d'arrêter les petits fragments abrasifs ou des morceaux de la pièce ouvragée.** La protection pour les yeux doit pouvoir stopper les projections de débris générées par diverses opérations. **Le masque antipoussières doit pouvoir filtrer les particules générées par vos activités. Une exposition prolongée à un bruit de forte intensité est susceptible de causer des pertes auditives.**
- i) Gardez les spectateurs à une distance de sécurité de la zone de travail. Quiconque pénètre dans la zone de travail doit porter un équipement de protection corporelle.** Des fragments des pièces à travailler ou d'un accessoire cassé peuvent être projetés hors de la zone de travail immédiate et entraîner des blessures.
- j) Assurez-vous de toujours tenir l'outil électrique par des surfaces de prise isolées lorsque vous effectuez**

une opération au cours de laquelle l'accessoire de coupe pourrait entrer en contact avec un câble électrique non visible. Le fait que l'accessoire de coupe entre en contact avec un fil sous tension peut rendre les pièces métalliques exposées de l'outil électrique « sous tension » et provoquer un choc électrique pour l'utilisateur de l'appareil.

- k) Ne déposez jamais l'outil électrique à terre tant qu'il ne s'est pas complètement arrêté.** L'accessoire rotatif peut accrocher la surface et vous risquez de perdre le contrôle de l'outil électrique.
- l) Ne faites pas tourner l'outil électrique si vous le transportez à côté de vous.** Un contact accidentel avec l'accessoire rotatif pourrait accrocher vos vêtements et attirer l'accessoire vers votre corps.
- m) Nettoyez régulièrement les aérations de l'outil électrique.** Le ventilateur du moteur tirera la poussière à l'intérieur du logement et une accumulation excessive de poudre métallique peut entraîner des chocs électriques.
- n) N'opérez pas l'outil électrique à proximité de matériaux inflammables.** Les étincelles risquent d'enflammer ces matériaux.
- o) N'utilisez pas d'accessoires qui nécessitent des liquides de refroidissement.** L'utilisation d'eau ou de liquides de refroidissement peut entraîner une électrocution ou un choc électrique.

CONSIGNES DE SÉCURITÉ SUPPLÉMENTAIRES POUR TOUTES LES OPÉRATIONS

REBONDS ET AVERTISSEMENT AFFÉRENTS

Le rebond ou retour de choc est une réaction soudaine suite à un pincement ou accrochage d'une roue en rotation, d'un patin de renfort, d'une brosse ou d'un autre accessoire. Un pincement ou un accrochage peut entraîner le calage rapide de l'accessoire rotatif, ce qui peut alors forcer l'outil électrique hors de contrôle à tourner dans la direction opposée au sens de rotation de l'accessoire, jusqu'à ce qu'ils se bloquent.

Par exemple, si une meule est accrochée ou pincée par la pièce à travailler, le rebord de la meule qui entraine dans le point de pincement peut creuser dans la surface du matériau, ce qui peut faire sortir la meule. La meule risque de sauter en direction de l'opérateur ou dans la direction opposée, en fonction du sens de rotation de la meule au niveau du point de pincement.

Le rebond ou choc de retour est dû à une mauvaise utilisation de l'outil ou à des procédures ou conditions de travail inappropriées. Il peut être évité en prenant les mesures appropriées, telles que celles indiquées ci-dessous.

- a) **Maintenez une prise ferme sur l'outil électrique et positionnez votre corps et vos bras de façon à pouvoir résister aux forces du choc de retour. Utilisez toujours une poignée auxiliaire, s'il y a, pour un contrôle maximal sur les rebonds ou le couple de réaction au démarrage.** L'opérateur peut contrôler les couples de réaction ou les forces du rebond s'il prend les précautions nécessaires.
- b) **Ne placez jamais la main à proximité de l'accessoire rotatif.** L'accessoire risque de rebondir sur votre main.
- c) **Ne positionnez pas votre corps dans la zone où l'outil électrique se déplacera en cas de rebond,** le rebond propulsera l'outil dans la direction opposée au mouvement de la meule, au point d'accrochage.
- d) **Soyez particulièrement prudent lors que vous travaillez dans des recoins, sur des rebords tranchants, etc. Évitez de faire rebondir ou d'accrocher l'accessoire.** Les recoins, les rebords tranchants ou les rebonds ont tendance à accrocher l'accessoire rotatif et à provoquer une perte de contrôle ou un rebond.
- e) **Ne fixez pas de lame de tronçonneuse ou de lame de scie à dents.** Ces lames sont susceptibles de provoquer de fréquents rebonds ou une perte de contrôle.

CONSIGNES DE SÉCURITÉ SUPPLÉMENTAIRES SPÉCIFIQUES AUX OPÉRATIONS DE MEULAGE OU DE TRONÇONNAGE

Consignes de sécurité supplémentaires spécifiques aux opérations de meulage et de tronçonnage abrasives :

- a) **N'utilisez que les types de meules qui sont recommandées pour votre outil électrique et la protection spécifique conçue pour la meule sélectionnée.** Les meules pour lesquelles l'outil électrique n'a pas été conçu ne peuvent pas être protégées de manière adéquate et ne sont pas sûres.
- b) **La surface de meulage des disques doit être positionnée sous le rebord du couvercle de protection.** Un disque mal monté dépassant du rebord du couvercle de protection ne peut être protégé de manière adéquate.
- c) **Il faut fixer fermement la protection à l'outil électrique et la positionner pour une sécurité maximale, de manière à exposer la meule au minimum en direction de l'opérateur.** La protection aide à protéger l'opérateur contre les fragments de disque cassés, un contact accidentel avec le disque et les étincelles qui pourraient enflammer ses vêtements.
- d) **Il ne faut utiliser les meules que pour les applications recommandées. Par exemple : ne pas meuler avec la face latérale de la meule à tronçonner.** Les meules à tronçonner sont conçues pour un meulage périphérique, les forces latérales appliquées à ces meules peuvent les briser.
- e) **Utilisez toujours des flasques de meule en bon état dont la taille et la forme sont adaptées à la meule que vous avez sélectionnée. Des flasques de meule appropriés soutiennent la meule, réduisant ainsi la possibilité que la meule ne casse.** Les flasques pour les meules à tronçonner peuvent être différents des flasques de meule.
- f) **N'utilisez pas des meules usées issues d'outils électriques plus grands.** La meule conçue pour les outils

électriques plus grands ne convient pas à la vitesse plus élevée d'un outil plus petit et elle risque d'exploser.

CONSIGNES DE SÉCURITÉ SUPPLÉMENTAIRES SPÉCIFIQUES AUX OPÉRATIONS DE TRONÇONNAGE

Consignes de sécurité supplémentaires spécifiques aux opérations de tronçonnage abrasives :

- a) **Ne coinciez pas la meule ou n'appliquez pas de pression excessive. Ne tentez pas d'effectuer une découpe d'une profondeur excessive.** Une surcharge de la meule augmente la charge et la susceptibilité aux torsions ou coincements de la meule lors de la découpe et la possibilité d'un rebond ou que la meule se casse.
- b) **Ne positionnez pas votre corps en ligne avec et derrière la meule rotative.** Quand la meule, au niveau du point de fonctionnement, s'écarte de votre corps, le rebond éventuel peut propulser la meule en rotation et l'outil électrique directement sur vous.
- c) **Quand la meule se coince ou lors de l'interruption d'une découpe, quelle qu'en soit la raison, éteignez l'outil électrique et maintenez-le immobile jusqu'à ce que la meule s'arrête complètement.** Ne tentez jamais de retirer la meule à tronçonner de la coupe quand la meule est en mouvement, sans quoi un rebond risque de se produire. Identifiez la cause du coincement de la lame et prenez les mesures correctives pour éliminer ladite cause.
- d) **Ne redémarrez pas l'opération de découpe dans la pièce ouvragée. Laissez la meule atteindre sa vitesse pleine et rentrez à nouveau dans la coupe avec prudence.** La meule peut se coincer, retourner en arrière ou rebondir si l'outil électrique est redémarré dans la pièce à travailler.
- e) **Soutenez les panneaux ou une pièce à travailler de taille excessive pour minimiser les risques de pincement et de rebond de la meule.** Les pièces

à travailler de grande dimension ont tendance à s'affaisser sous leur propre poids. Il faut installer des dispositifs de soutien sous la pièce à travailler, à proximité de la ligne de coupe et des rebords de la pièce à travailler, de chaque côté de la meule.

- f) **Soyez extrêmement prudent lorsque vous effectuez une coupe en plongée dans un mur ou toute autre surface derrière laquelle peuvent se trouver des objets non visibles.** La meule en saillie peut couper des conduites de gaz ou d'eau, des fils électriques ou des objets qui peuvent provoquer un rebond.

CONSIGNES GÉNÉRALES DE SÉCURITÉ CONCERNANT LA BATTERIE

- a) **Ne pas démonter, ouvrir ou déchiqueter le bloc batterie.**
- b) **Ne pas exposer le bloc batterie à la chaleur ou au feu. Évitez de ranger la batterie dans un endroit exposé à la lumière directe du soleil.**
- c) **Ne pas court-circuiter une batterie. Ne stockez pas les blocs batterie en vrac dans une boîte ou un tiroir où ils peuvent se court-circuiter ou être court-circuités par d'autres objets métalliques.** Lorsque le bloc batterie n'est pas utilisé, conservez-le loin d'autres objets métalliques, tels que des trombones, des pièces de monnaie, des clés, des clous, des vis ou d'autres objets métalliques de petite taille, qui pourraient établir une connexion d'un terminal à l'autre. Le fait de créer un court-circuit entre les bornes de la batterie peut causer des brûlures ou des incendies.
- d) **Ne pas retirer la batterie de son emballage d'origine avant utilisation dans l'appareil.**
- e) **Ne pas soumettre la batterie à des chocs mécaniques.**
- f) **En cas de fuite de la batterie, ne pas laisser le liquide entrer en contact avec la peau ou les yeux. Si un contact a été effectué, laver la zone touchée avec beaucoup d'eau et consulter un médecin.**
- g) **Respecter les marques plus (+) et**

- moins (-) sur le bloc batterie et sur l'appareil et veiller à bien le positionner.
- h) **Ne pas utiliser de batterie qui n'a pas été conçue pour être utilisée avec cet appareil.**
 - i) **Maintenez la batterie hors de portée des enfants.**
 - j) **Consultez immédiatement un médecin si une cellule ou une batterie a été avalée.**
 - k) **Achetez toujours une batterie recommandée par le fabricant de l'appareil.**
 - l) **Conservez le bloc batterie propre et sec.**
 - m) **Essuyez les bornes de la batterie avec un chiffon propre et sec si elles deviennent sales.**
 - n) **La batterie doit être chargée avant son utilisation. Utilisez toujours le chargeur adapté et reportez-vous aux instructions du fabricant ou au manuel de l'équipement pour suivre les instructions concernant la procédure de charge.**
 - o) **Ne laissez pas le bloc batterie en charge prolongée lorsqu'il n'est pas utilisé.**
 - p) **Après de longues périodes de stockage, il peut être nécessaire de charger et de décharger la batterie plusieurs fois pour obtenir des performances optimales.**
 - q) **La batterie offre de meilleures performances lorsqu'elle est utilisée à température ambiante normale (68 °F ± 9 °F).**
 - r) **Lors de l'élimination des batteries, conservez les blocs batteries de différents systèmes électrochimiques séparés les uns des autres.**
 - s) **Rechargez le bloc batterie uniquement avec le chargeur spécifié par WORX. N'utilisez pas un chargeur autre que celui spécifiquement conçu pour être utilisé avec l'équipement.** Un chargeur adapté à un type de batterie peut entraîner un risque d'incendie lorsqu'il est utilisé avec une autre batterie.
 - t) **Conservez la documentation originale du produit pour référence ultérieure.**

- u) **Utilisez uniquement la batterie dans l'application pour laquelle elle a été prévue.**
- v) **Retirez la batterie de l'équipement lorsqu'il n'est pas utilisé.**
- w) **Éliminez la batterie de façon adéquate.**

SYMBOLES

	Afin de réduire les risques de blessure, l'utilisateur doit lire ce mode d'emploi
	Portez une protection auditive.
	Portez un protecteur oculaire.
	Portez un masque anti poussières.
	Avertissement
	Toujours porter des gants de protection.
	Non autorisé pour le meulage de surfaces avec des disques abrasifs.
	Par mesure de sécurité, enlevez la batterie avant de remplacer des accessoires.
	Batterie Li-Ion. Les batteries doivent être recyclées en collecte sélective.
	Ne pas jeter au feu
	Ne pas exposer pas à la pluie et à l'eau



call2recycle®

POSITEC Inc. a formé un partenariat avec RBRC Corporation pour le recyclage des batteries Positec portant le sceau RBRC-call2recycle. Pour la protection de l'environnement, veuillez à ne pas jeter les batteries aux poubelles. À la fin du cycle de vie de la batterie, appelez 1-800-822-8837 pour un service gratuit qui mettra la batterie au rebut selon les règles de l'art.

LISTE DES ÉLÉMENTS

1. **INTERRUPTEUR MARCHÉ/ARRÊT**
2. **POIGNÉE**
3. **PAQUETE DE BATERÍAS ***
4. **LENGÜETAS DE LIBERACIÓN DE LAS BATERÍAS***
5. **BOUTON DE VERROUILLAGE DE BROCHE**
6. **BROCHE**
7. **PROTECTION DE DISQUE POUR MEULER**
8. **PROTECTION DE DISQUE POUR COUPER**
9. **DISQUE DE COUPE POUR MÉTAUX**
10. **BOULON DE SERRAGE AVEC RONDELLE**
11. **CLÉ**
12. **DISQUE DE COUPE ABRASIF**
13. **DISQUE DE MEULAGE**

* Les accessoires illustrés ou décrits ne sont pas tous compris dans le cadre de la livraison standard.

DONNÉES TECHNIQUES

Type **WX801L WX801L.9(80 - modèle et éléments de la Mini Découpeur sans fil)**

	WX801L	WX801L.9
Tension nominale	20V \equiv Max**	
Vitesse nominale	19500rpm	
Filetage de la broche	M6	
Épaisseur du disque de coupe pour métaux	1.2mm-1.6mm (3/64 po ~1/16 po)	
Épaisseur du disque de coupe abrasif	1.6mm (1/16 po)	
Épaisseur du disque de meulage	4mm (5/32 po)	
Taille du disque	76mm (3 po)	
Trou du disque	9.5mm (3/8 po)	
Poids	1.1kg (2.4lbs)	0.7kg (1.5lbs)


**** Tension mesurée hors fonctionnement. La tension initiale de la batterie atteint le maximum de 20 volts. La tension nominale est de 18 volts.**

ACCESSOIRES

	WX801L	WX801L.9
Disque de coupe pour métaux	2	2
Disque de coupe abrasif	1	1
Disque de meulage	1	1
Clé	1	1
Chargeur (WA3742)	1	/
Blocs-piles (WA3520)	1	/

N'utilisez que les accessoires compatibles à cet outil. Les informations des accessoires peuvent être trouvées sur l'emballage du produit, chez un détaillant WORX ou sur notre site web www.worx.com.




INSTRUCTIONS D'UTILISATION

 **REMARQUE:** Avant d'utiliser cet outil, assurez-vous de lire attentivement le manuel d'utilisation.

UTILISATION PRÉVUE

Cet outil est conçu pour couper, dégrossir et broser le métal et la pierre sans utiliser d'eau. Un accessoire de protection spécial doit être utilisé pour la coupe des métaux.

ASSEMBLAGE & FONCTIONNEMENT


ACTION	SCHÉMA
AVANT LE FONCTIONNEMENT	
Retrait du bloc de batterie	Voir Fig. A1
Chargement de la batterie	Voir Fig. A2
ASSEMBLAGE	
Verrouillez la broche et montez un disque de coupe pour métaux/un disque de coupe abrasif/un disque de meulage.  REMARQUE: Appuyez sur le bouton de verrouillage de la broche et maintenez-le enfoncé pour verrouiller la broche.  REMARQUE: Assurez-vous que le disque de coupe pour métaux/disque e coupe abrasif/disque de meulage soit bien serré.  AVERTISSEMENT: Avant d'effectuer un quelconque travail sur la machine elle-même, retirez la batterie.	Voir Fig. B
Verrouiller la broche et retirer le disque de coupe pour métaux/ le disque de coupe abrasif/le disque de meulage	Voir Fig. C

Réglage du couvercle de protection pour le meulage/ la coupe

REMARQUE: Retirez la batterie avant d'effectuer une quelconque opération sur l'outil. Pour travailler avec des disques de meulage ou de coupe, la protection doit être installée. Assurez-vous d'utiliser un type de disque approprié pour le type de travail à effectuer.
Si vous prévoyez d'utiliser l'outil pour effectuer des opérations de coupe, une protection spécifique pour ce type de travaux doit être installée.

Voir Fig. D1,D2,D3

Installation du bloc de batterie

 **AVERTISSEMENT:** Avant d'insérer la batterie, assurez-vous que l'interrupteur MARCHE/ARRÊT soit sur la position ARRÊT.

 **AVERTISSEMENT:** Lorsque vous remplacez la batterie, n'insérez pas la batterie avant que le disque de coupe pour métaux/ disque de coupe abrasif/ disque de meulage ne soit complètement arrêté !


Voir Fig. E

FONCTIONNEMENT

Utilisation de l'interrupteur Marche/Arrêt

REMARQUE: Poussez l'interrupteur Marche/ Arrêt vers l'avant pour le placer en position verrouillée. Votre interrupteur est maintenant verrouillé pour une utilisation continue.

Voir Fig. F

Poignées	Voir Fig. G
Meulage grossier  AVERTISSEMENT: Assurez-vous de ne jamais utiliser un disque de coupe pour des opérations de meulage grossier. Une utilisation incorrecte de l'outil peut causer des dommages corporels.	Voir Fig. H
Coupe	Voir Fig. I

CONSEILS D'UTILISATION POUR VOTRE MEULEUSE ANGULAIRE

1. Attendez toujours que la machine ait atteint sa vitesse maximale avant de commencer le travail.
2. N'appliquez pas de force sur le disque pour accélérer votre travail. Sa réduction de vitesse résultante aurait un effet contraire.
3. Assurez-vous de toujours positionner le disque à un angle de 15 à 30 degrés par rapport à la pièce à meuler. De plus grands angles peuvent faire des stries sur la pièce à travailler et affecter la finition de la surface.
4. Lors de l'utilisation d'un disque de coupe, ne changez jamais l'angle de coupe sinon le disque et le moteur de la meuleuse angulaire risquent de caler et le disque de se casser. Pour couper, ne travaillez que dans la direction opposée à la rotation du disque. Si la coupe est effectuée dans la même direction que la rotation du disque, le disque pourrait être projeté hors de la fente.
5. Lors de la coupe de matériaux très durs, pour obtenir de meilleurs résultats, il est conseillé d'utiliser un disque de coupe abrasif.
6. Lorsque vous utilisez un disque de coupe abrasif, celui-ci deviendra très chaud. Si cela se produit, un anneau d'étincelles sera visible autour du disque rotatif. Arrêtez alors la coupe et faites refroidir en laissant tourner l'outil à vide durant 2 à 3 minutes.
7. Assurez-vous toujours que l'ouvrage est fermement maintenu pour empêcher tout mouvement.

ENTRETIEN

Retirer le bloc-piles de l'outil avant d'effectuer tout ajustement, entretien ou maintenance

Il ne comporte aucune pièce à réparer ou à entretenir par l'utilisateur. N'utilisez jamais de l'eau ou des nettoyants chimiques pour nettoyer l'outil. Essuyez-le avec un chiffon sec. Rangez toujours votre outil dans un endroit sec. Gardez propres les ouvertures de ventilation du moteur. Assurez-vous que les commandes soient exemptes de poussière. Si vous remarquez des étincelles dans les ouvertures de ventilation, ceci est normal et n'endommagera pas votre outil. Entreposez les accessoires dans un endroit sec.

DÉPANNAGE

Quoique que votre nouvelle meuleuse angulaire soit vraiment très simple à utiliser, si vous rencontrez des problèmes, veuillez vérifier ce qui suit:

1. Si les disques de votre meuleuse oscillent ou vibrent, vérifiez que la flasque extérieur est bien serrée, vérifiez que le disque est correctement situé sur la plaque de la flasque.
2. S'il n'y a aucune preuve que le disque est endommagé ne l'utilisez pas car il peut se désintégrer, retirez-le et remplacez-le par un nouveau disque . Mettez correctement au rebut les vieux disques.
3. Si vous travaillez sur de l'aluminium ou sur un alliage doux identique, le disque deviendra rapidement encrassé et ne meulera plus avec efficacité
4. Lorsque le moteur est en surcharge, il s'arrête. Retirez immédiatement la charge exercée sur l'appareil, puis laissez refroidir pendant environ 30 secondes à la plus haute vitesse sans charge.
5. Lorsque l'outil électrique est utilisé correctement, il ne devrait pas y avoir de surcharge. Lorsque la charge est trop grande ou que la température prescrite de 75° C (167° F) est dépassée, le contrôle électronique éteindra l'outil électrique jusqu'à ce que la température revienne à un niveau optimal.
6. Si la machine est bloquée, veuillez la éteindre puis rallumer au bout de 1 à 2 secondes.

SEGURIDAD DEL PRODUCTO

⚠️ ADVERTENCIA: El polvo originado por la utilización de herramientas motorizadas contiene químicos que, según el Estado de California, causan cáncer, defectos congénitos y otros daños reproductivos. Algunos ejemplos de esos productos químicos son:

- El plomo de las pinturas a base de plomo;
- La sílice cristalina de los ladrillos, del cemento y de otros productos de albañilería;
- El arsénico y el cromo de la madera tratada químicamente.

El riesgo que se corre a causa del contacto con esos productos varía según la frecuencia con que usted realice este tipo de trabajos. Con el fin de reducir su exposición a esas substancias químicas: trabaje en un área bien ventilada; utilice un equipo de seguridad adecuado, tal como una máscara contra el polvo especialmente diseñada para filtrar partículas microscópicas.

⚠️ ADVERTENCIA: Este producto puede exponerlo a sustancias químicas, como plomo y di (2-etilhexilo) ftalato (DEHP), que el estado de California reconoce como causantes de cáncer y defectos de nacimiento u otros daños reproductivos. Para más información visite www.P65Warnings.ca.gov.

ADVERTENCIAS DE SEGURIDAD GENERALES PARA LA HERRAMIENTA MOTORIZADA

⚠️ ¡ADVERTENCIA! Lea y comprenda todas las instrucciones. El no seguir todas las instrucciones a continuación puede ocasionar descargas eléctricas, incendios y/o heridas graves.

Conserve todas las advertencias e instrucciones para consulta futura. El término "herramienta eléctrica" que figura en todas las advertencias que aparecen a continuación hace referencia

a la herramienta que funciona con la red de suministro eléctrico (con cable) o a la herramienta eléctrica accionada a baterías (sin cable).

1. ÁREA DE TRABAJO

- Mantenga su lugar de trabajo limpio y bien iluminado.** Bancos de trabajo desordenados y lugares oscuros invitan a los accidentes.
- No utilice herramientas eléctricas en atmósferas explosivas, como por ejemplo en presencia de líquidos, inflamables, gases o polvo.** Las herramientas eléctricas crean chispas que pueden encender el polvo o los vapores.
- Mantenga a los espectadores, niños y visitantes a una distancia prudente cuando esté utilizando una herramienta eléctrica.** Las distracciones pueden hacerle perder el control.

2. SEGURIDAD ELÉCTRICA

- Los enchufes de las herramientas eléctricas deben coincidir con el tomacorriente. No modifique de algún modo el enchufe. No utilice enchufes adaptadores con herramientas eléctricas conectadas a tierra.** Si no se modifican los enchufes y se utilizan los tomacorrientes adecuados, se reducirá el riesgo de una descarga eléctrica.
- Evite el contacto del cuerpo con las superficies conectadas a tierra tales como tuberías, radiadores, estufas de cocina y refrigeradores.** Existe mayor riesgo de que se produzcan descargas eléctricas si su cuerpo está conectado a tierra.
- No exponga las herramientas eléctricas a la lluvia ni a los ambientes húmedos.** La entrada de agua en una herramienta eléctrica aumenta el riesgo de que se produzcan descargas eléctricas.
- No abuse del cable. Nunca use el cable para transportar las herramientas ni para sacar el enchufe de un tomacorriente. Mantenga el cable alejado del calor, el aceite, los bordes afilados o las piezas móviles.** Los cables dañados aumentan el riesgo de que se produzcan descargas eléctricas.

- e) **Cuando opere una herramienta eléctrica en exteriores, use un cable de extensión adecuado para uso en exteriores.** El uso de un cable adecuado para uso en exteriores reduce el riesgo de descargas eléctricas.
- f) **Si operar una herramienta eléctrica en un lugar húmedo es inevitable, use un elemento protegido del dispositivo de corriente residual (RCD).** El uso de un RCD reduce el riesgo de descargas eléctricas.

3. SEGURIDAD PERSONAL

- a) **Manténgase alerta, fíjese en lo que está haciendo y use el sentido común cuando utilice una herramienta eléctrica. No use la herramienta cuando esté cansado o se encuentre bajo la influencia de drogas, alcohol o medicamentos.** Un momento de distracción al utilizar herramientas eléctricas puede dar lugar a lesiones personales graves.
- b) **Utilice equipo de seguridad. Use siempre protección ocular.** La utilización del equipo de seguridad como mascarara antipolvo, zapatos de seguridad antideslizantes, casco o protección auditiva para condiciones adecuadas reducirá el riesgo de lesiones personales.
- c) **Evite el arranque accidental. Asegúrese de que el interruptor esté en la posición de trabado o de apagado antes de instalar el paquete de baterías.** Transportar herramientas con el dedo en el interruptor o instalar el paquete de batería cuando el interruptor está encendido invitan a los accidentes.
- d) **Retire las llaves o claves de ajuste antes de encender la herramienta.** Una llave o clave de ajuste dejada en una parte giratoria de la herramienta puede causar una lesión personal.
- e) **No intente alcanzar demasiado lejos. Mantenga un apoyo de los pies y un equilibrio adecuados en todo momento.** El apoyo de los pies y el equilibrio adecuados permiten un mejor control de la herramienta en situaciones inesperadas.
- f) **Vístase apropiadamente. No se ponga ropa holgada ni joyas. Mantenga su cabello, ropa y guantes alejados de las piezas móviles.** La ropa holgada, las joyas o el pelo largo

pueden quedar atrapados en las piezas móviles.

- g) **Si se proporcionan dispositivos para la extracción y recolección de polvo, asegúrese que estos estén conectados y utilizados correctamente.** El uso de estos dispositivos puede reducir peligros relacionados con el polvo.

4. USO Y CUIDADO DE LA HERRAMIENTA

- a) **No fuerce la herramienta. Emplee la herramienta correcta para la aplicación que desea.** La herramienta correcta hará el trabajo mejor y con más seguridad a la capacidad nominal para la que está diseñada.
- b) **No utilice la herramienta si el interruptor no la enciende o apaga.** Toda herramienta que no se pueda controlar con el interruptor es peligrosa y debe ser reparada.
- c) **Desconecte la batería de la herramienta o ponga el interruptor en la posición de trabado o de apagado antes de hacer cualquier ajuste, cambio de accesorios o guardar la herramienta.** Estas medidas de seguridad preventivas reducen el riesgo de encender la herramienta accidentalmente.
- d) **Guarde las herramientas que no esté usando fuera del alcance de los niños y otras personas no capacitadas.** Las herramientas son peligrosas en las manos de los usuarios no capacitados.
- e) **Mantenga las herramientas con cuidado. Compruebe la desalineación o el atasco de las piezas móviles, la ruptura de piezas y cualquier otra situación que pueda afectar el funcionamiento de las herramientas.** Si la herramienta está dañada, hágala arreglar antes de usarla. Muchos accidentes son causados por herramientas mantenidas deficientemente.
- f) **Conserve las herramientas de corte afiladas y limpias.** Las herramientas mantenidas adecuadamente, con bordes de corte afilados, tienen menos probabilidades de atascarse y son más fáciles de controlar.
- g) **Utilice la herramienta eléctrica,**

accesorios, brocas de la herramienta, etc. de acuerdo con estas instrucciones y de la manera adecuada para el tipo de herramienta eléctrica, teniendo en cuenta las condiciones de trabajo y el trabajo que se realizará. La utilización de la herramienta eléctrica para operaciones diferentes de aquellas para las que se encuentra diseñada podría dar lugar a una situación peligrosa.

5. UTILIZACIÓN Y CUIDADO DE LA HERRAMIENTA ACCIONADA A BATERÍAS

- a) **Una herramienta accionada a baterías que tenga baterías integradas o un paquete de baterías separado se debe recargar solamente con el cargador especificado para la batería.** Un cargador que puede ser adecuado para un tipo de batería puede crear un peligro de incendio cuando se usa con otra batería.
 - b) **Utilice la herramienta accionada a baterías solamente con el paquete de baterías designado específicamente.** El uso de cualquier otra batería puede crear un peligro de incendio.
 - c) **Cuando el paquete de baterías no se usa, manténgalo alejado de otros objetos metálicos como: sujetapapeles, monedas, clavos, tornillos u otros pequeños objetos de metal capaces de hacer una conexión entre los terminales.** El cortocircuito de los terminales de una batería puede causar chispas, quemaduras o incendio.
 - d) **Bajo condiciones abusivas, la batería puede expulsar líquido; evite el contacto. Si ocurre un contacto accidental, enjuagar con agua.** Si el líquido entra en contacto con los ojos, busque ayuda médica. El líquido expulsado por la batería puede causar irritación o quemaduras.
- ## **6. REPARACIÓN**
- a) **La herramienta debe ser reparada por una persona calificada de servicio técnico y se deben utilizar partes de reemplazo idénticas.**

Esto asegurará el mantenimiento de la seguridad de la herramienta eléctrica.

INSTRUCCIONES DE SEGURIDAD PARA TODAS LAS OPERACIONES

Advertencias de seguridad comunes para operaciones de amoladura o corte abrasivo:

- a) **Esta herramienta eléctrica ha sido diseñada para funcionar como amoladora, o herramienta de corte** Lea todas las advertencias de seguridad, instrucciones, ilustraciones y especificaciones incluidas con esta herramienta motorizada. No seguir todas las instrucciones que aparecen en este documento podría causar una descarga eléctrica, incendio o lesión grave.
- b) **No se recomienda realizar operaciones de lijado, cepillado metálico, pulido con esta herramienta eléctrica.** Las operaciones para las que no ha sido diseñada esta herramienta mecánica podrían representar un riesgo o provocar lesiones personales.
- c) **No utilice accesorios que no estén diseñados específicamente y recomendados por el fabricante de la herramienta motorizada.** El hecho de que se pueda colocar el accesorio en la herramienta motorizada no garantiza un funcionamiento seguro.
- d) **La velocidad especificada del accesorio deberá ser al menos igual que la velocidad máxima indicada en la herramienta motorizada.** Los accesorios que funcionen a una velocidad más rápida que la velocidad máxima de la herramienta motorizada podrían desprenderse.
- e) **El diámetro externo y el espesor del accesorio deberán estar dentro de la clasificación de capacidad de la herramienta motorizada.** No es posible controlar de forma correcta los accesorios del tamaño incorrecto.
- f) **El montaje roscado de accesorios debe coincidir con las roscas del husillo de la AMOLADORA. Para accesorios montados por BRIDAS, el orificio del eje del accesorio debe**

ajustarse al diámetro de ubicación de la BRIDA. Los accesorios que no coincidan con el hardware de montaje estarán fuera de equilibrio, vibrarán excesivamente y pueden causar la pérdida de control.

- g) No utilice un accesorio dañado. Antes de cada utilización, inspeccione los accesorios tales como ruedas abrasivas para comprobar si existen astillas o fisuras, almohadillas de respaldo para comprobar si existen fisuras, desprendimientos o desgaste excesivo, cepillos de alambre para comprobar si existen alambres sueltos o dañados, etcétera. Si se cae la herramienta o un accesorio, inspeccione si existen daños o instale un accesorio sin daños. Luego de inspeccionar e instalar un accesorio, colóquese usted y las otras personas que estén alrededor lejos del plano del accesorio de rotación y utilice la herramienta motorizada en la velocidad máxima sin carga durante un minuto.**

Generalmente, los accesorios dañados se desprenden durante este tiempo de prueba.

- h) Utilice un equipo de protección personal. En función de la aplicación, utilice un protector facial, guantes de seguridad o anteojos de seguridad. Según sea apropiado, utilice una máscara antipolvo, protectores auditivos, guantes y un delante capaz de detener a los fragmentos abrasivos pequeños o fragmentos de piezas de trabajo.**

La máscara antipolvo o la máscara respiratoria debe filtrar las partículas generadas por las operaciones. La exposición prolongada a sonidos de alta intensidad puede causar una pérdida de la audición.

- i) Mantenga a las personas que están alrededor a una distancia segura del área de trabajo. Cualquier persona que ingrese en el área de trabajo deberá utilizar el equipo de protección personal.** Los fragmentos de las piezas de trabajo o de los accesorios dañados podrían expulsarse desde la herramienta motorizada y causar una lesión más allá del área cercana a la operación.

- j) Sostenga la herramienta motorizada desde las superficies de empuñadora aisladas sólo, cuando se realiza una operación en la cual el accesorio de corte podría entrar en contacto con un cable oculto o con el propio cable de la herramienta motorizada.**

El contacto del accesorio de corte con un hilo "conductor" podría hacer que las partes metálicas expuestas actúen como conductores y causen una descarga eléctrica al operador.

- k) Nunca apoye la herramienta motorizada hasta que el accesorio no se haya detenido por completo.**

El accesorio giratorio podría entrar en contacto con la superficie y causar una pérdida de control de la herramienta motorizada.

- l) No encienda la herramienta motorizada mientras la transporta a su lado.** Un contacto accidental con el accesorio giratorio podría causar un enredo en su ropa y jalar el accesorio hacia su cuerpo.

- m) Limpie periódicamente las ranuras de ventilación de la herramienta motorizada.** El ventilador del motor absorberá el polvo hacia la parte interna de la cubierta, y una acumulación excesiva de metal con polvo podría causar peligros eléctricos.

- n) No utilice la herramienta motorizada cerca de materiales inflamables.** Las chipas podrían incendiar dichos materiales.

- o) No utilice accesorios que requieren líquidos refrigerantes.** La utilización de agua u otros líquidos refrigerantes podría causar una electrocución o descarga eléctrica.

OTRAS INSTRUCCIONES DE SEGURIDAD PARA TODAS LAS OPERACIONES

REPULSIONES Y ADVERTENCIAS RELACIONADAS

Una repulsión es una reacción repentina de una rueda giratoria, almohadilla de respaldo, cepillo o de cualquier otro accesorio atorado. Este atoramiento causa un atascamiento rápido del accesorio giratorio que a su vez causa que la herramienta motorizada sin control sea forzada hacia la dirección opuesta

del accesorio giratorio en el momento del atascamiento.

Por ejemplo, si una rueda abrasiva está atorada en la pieza de trabajo, el borde de la rueda que está ingresando en el punto de atoramiento podría atravesar la superficie del material, lo que causará una expulsión o repulsión de la rueda. La rueda podría expulsarse hacia o lejos del operador, en función del movimiento de la rueda en el momento del atoramiento. Las ruedas abrasivas también podrían desintegrarse en estas condiciones.

La repulsión es resultado de una utilización incorrecta de la herramienta motorizada o de procedimientos o condiciones de funcionamiento incorrectas. Se pueden evitar estas situaciones tomando las precauciones adecuadas que se describen a continuación.

- a) **Mantenga una empuñadura firme de la herramienta motorizada y coloque el cuerpo y brazo para resistir las fuerzas de las repulsiones. Utilice siempre el mango auxiliar, si está disponible, para lograr el máximo control de las repulsiones y de las reacciones de torque durante el arranque.** El operador puede controlar las reacciones de torque y las fuerzas de repulsión si se toman las precauciones correctas.
- b) **Nunca coloque las manos cerca del accesorio giratorio.** El accesorio podría causar una repulsión hacia las manos.
- c) **No coloque el cuerpo en el área donde se moverá la herramienta motorizada si ocurre una repulsión.** La repulsión impulsará la herramienta motorizada en la dirección opuesta al movimiento de la rueda en el momento del atascamiento.
- d) **Tenga especial cuidado al trabajar en esquinas, bordes filosos, etcétera. Evite hacer rebotar o atorar el accesorio.** Las esquinas, los bordes filosos y el rebote tienden a atascar el accesorio y causar una pérdida de control o repulsión.
- e) **No instale una hoja de labrado de madera u hoja de sierra dentada en la sierra de cadena.** Dichas hojas crean fuerzas de retroceso y pérdidas de control.

INSTRUCCIONES DE SEGURIDAD ADICIONALES PARA OPERACIONES DE AMOLADURA Y CORTE

Advertencias de seguridad específicas para las operaciones de afilado y corte abrasivo:

- a) **Utilice sólo los tipos de ruedas que estén recomendados para la herramienta motorizada y las cubiertas de protección específicas diseñadas para la rueda seleccionada.** No se podrá proteger de forma correcta a las ruedas para las cuales no se diseñó la herramienta motorizada y éstas serán inseguras.
- b) **La superficie de pulido de las ruedas hundidas centrales se debe instalar debajo del plano del labio de la protección.** Una rueda instalada inadecuadamente que sobresalga a través del plano del labio de la protección no se puede proteger adecuadamente.
- c) **Se deberá ajustar la cubierta de protección a la herramienta de forma segura y colocarla para lograr la máxima seguridad a fin de que la menor parte de la rueda esté expuesta al operador.** La cubierta de protección también ayuda a resguardar al operador de fragmentos de rueda dañados y del contacto accidental con la rueda.
- d) **Sólo se deberán utilizar las ruedas para las aplicaciones recomendadas. Por ejemplo: no afile con el lado de la rueda de corte.** Las ruedas de corte abrasivas están diseñadas para el afilado periférico. Las fuerzas laterales aplicadas a estas ruedas podrían causar daños a éstas.
- e) **Utilice siempre rebordes de rueda sin daños que sean del tamaño y la forma correcta para la rueda seleccionada. Los rebordes de rueda correctos protegen la rueda y, por lo tanto, reducen la posibilidad de daños en las ruedas.** Los rebordes para las ruedas de corte podrían ser diferentes de los rebordes para las ruedas de afilado.
- f) **No utilice ruedas desgastadas de herramientas motorizadas más grandes.** Las ruedas diseñadas para

herramientas motorizadas más grandes no son adecuadas para la velocidad más alta que posee una herramienta motorizada más pequeña y podrían explotar.

INSTRUCCIONES DE SEGURIDAD ADICIONALES PARA OPERACIONES DE CORTE

Advertencias de seguridad adicionales específicas para las operaciones de cortes abrasivos:

- a) **No "atore" la rueda de corte ni aplique presión excesiva. No intente realizar un corte de profundidad excesiva.** Al forzar en exceso la rueda, se aumenta la carga y la posibilidad de que la rueda se atasque o tuerza durante el corte. Además, podría ocurrir una repulsión o daño de la rueda.
- b) **No coloque el cuerpo alineado con ni detrás de la rueda giratoria.** Cuando la rueda, en el momento de la operación, se mueve alejada del cuerpo, la posible repulsión podría impulsar la rueda giratoria y la herramienta motorizada directamente hacia usted.
- c) **Cuando la rueda se atasca o cuando se interrumpa un corte por alguna razón, apague la herramienta y sosténgala sin moverla hasta que la rueda se detenga por completo. Nunca intente extraer una rueda de corte desde el corte cuando la rueda está en movimiento.** De lo contrario, ocurrirá una repulsión. Investigue y tome las acciones para corregir el problema a fin de eliminar la causa del atascamiento de la rueda.
- d) **No vuelva a iniciar la operación de corte sobre la pieza de trabajo. Espere a que la rueda alcance su velocidad máxima y luego vuelva a ingresar en el corte de forma cuidadosa.** La rueda podría atascarse, elevarse o causar una repulsión si se vuelve a iniciar la operación de corte con la herramienta motorizada sobre la pieza de trabajo.
- e) **Coloque apoyos en los paneles o en cualquier pieza de trabajo de gran tamaño para minimizar el riesgo de**

un atoramiento de la rueda o de una repulsión. Las piezas de trabajo grandes tienden a doblarse bajo su propio peso. Se deberán colocar apoyos debajo de la pieza de trabajo cerca de la línea de corte y cerca del borde de la pieza de trabajo en ambos lados de la rueda.

- f) **Tenga sumo cuidado al realizar un "corte de cavidad" en las paredes existentes o en otras áreas ciegas.** La rueda que sobresale podría cortar tuberías de agua o gas, cables eléctricos u objetos que podrían causar una repulsión.

ADVERTENCIAS GENERALES DE SEGURIDAD PARA LA BATERÍA

- a) **No desensamble, abra o triture el paquete de batería.**
- b) **No exponga el paquete de batería a calor o fuego. Evite guardar a la luz directa del sol.**
- c) **No ponga en corto circuito el paquete de batería. No guarde el paquete de batería de forma aleatoria en una caja o cajón donde puedan ponerse en corto circuito entre sí o ponerse en corto circuito por otros objetos metálicos.** Cuando el paquete de batería no esté en uso, manténgalo alejado de otros objetos metálicos, como sujetadores de papel, monedas, llaves, clavos, tornillos u otros objetos metálicos pequeños que puedan establecer una conexión de una terminal a otra. El corto circuito de las terminales de la batería puede causar quemaduras o incendios.
- d) **No retire el paquete de la batería de su empaque original hasta que se requiera para el uso.**
- e) **No someta el paquete de batería a impacto mecánico.**
- f) **En el caso de fuga de la batería, no permita que el líquido entre en contacto con la piel o los ojos. Si hay contacto, lave el área afectada con bastante agua y busque atención médica.**
- g) **Observe las marcas positiva (+) y negativa (-) en la parte posterior de la batería y el equipo para asegurar su uso correcto.**

SÍMBOLOS

- h) No use ningún paquete de batería que no esté diseñado para uso con el equipo.**
- i) Mantenga el paquete de batería fuera del alcance de los niños.**
- j) Busque atención médica de inmediato si se ingiere una celda o una batería.**
- k) Siempre adquiera el paquete de batería recomendado por el fabricante del dispositivo para el equipo.**
- l) Mantenga el paquete de batería limpio y seco.**
- m) Limpie las terminales del paquete de batería con una tela seca limpia su se ensucian.**
- n) El paquete de batería se necesita cargar antes del uso. Siempre use el cargador correcto y consulte las instrucciones del fabricante o el manual del equipo para saber las instrucciones correctas de carga.**
- o) No deje el paquete de batería en carga prolongada cuando no esté en uso.**
- p) Después de periodos prolongados de almacenamiento, puede ser necesario cargar y descargar el paquete de batería varias veces para obtener el desempeño máximo.**
- q) El paquete de batería proporciona su mejor desempeño cuando se opera en temperatura ambiente normal (20 °C ± 5 °C) / (68 °F ± 9 °F).**
- r) Cuando deseche los paquetes de batería de diferentes sistemas electromecánicos separados entre sí.**
- s) Recargue únicamente con el cargador especificado por WORX. No use cargadores que no sean los específicamente suministrados para uso con el equipo.** Un cargador que es adecuado para un tipo de paquete de batería puede crear un riesgo de incendio cuando se usa con otro paquete de batería.
- t) Conserve la literatura el producto original para referencia futura.**
- u) Sólo use el paquete de batería en la aplicación para la que está diseñado.**
- v) Retire el paquete de batería del equipo cuando no esté en uso.**
- w) Deséchelo adecuadamente.**

	Para reducir el riesgo de lesiones, el usuario deberá leer el manual de instrucciones
	Use protección auditiva
	Use lentes de seguridad
	Use máscara contra el polvo
	advertencia
	Use siempre unos guantes de protección
	No se permite para pulido de superficie con ruedas de corte abrasivas
	Asegúrese de extraer la batería antes de cambiar los accesorios.
	Batería de iones de litio, La batería deberá reciclarse.
	No arrojar al fuego
	No exponer a la lluvia ni al agua



call2recycle®

POSITEC Inc. ha establecido una asociación con la empresa RBRC para el reciclaje de todas las baterías Positec que posean el sello RBRC-call2recycle. Para contribuir con la protección del medio ambiente, no deseche las baterías como residuos normales. Después de que haya finalizado el ciclo de vida útil de la batería, comuníquese al 1-800-822-8837 para acceder al servicio gratuito.

LISTA DE PARTES

1. INTERRUPTOR DE ENCENDIDO/ APAGADO
2. ÁREA DE AGARRADERA
3. PAQUETE DE BATERÍAS *
4. LENGÜETAS DE LIBERACIÓN DE LAS BATERÍAS *
5. BOTÓN DE BLOQUEO DE HUSILLO
6. HUSILLO
7. PROTECCIÓN DE RUEDA PARA PULIDO
8. PROTECCIÓN DE RUEDA PARA CORTE
9. DISCO DE CORTE DE METAL
10. PERNO DE SUJECIÓN CON ARANDELA
11. LLAVE
12. DISCO DE CORTE ABRASIVO
13. DISCO DE PULIDO

* No todos los accesorios ilustrados o descritos se incluyen junto con el producto estándar.

DATOS TÉCNICOS

Type **WX801L WX801L.9(80-**
designación de maquinaria,
representante de Mini cortador
inalámbrico)

	WX801L	WX801L.9
Voltios	20V \equiv Max**	
Velocidad nominal	19500rpm	
Rosca de eje	M6	
Espesor de disco de corte de metal	3/64 pulg.~1/16 pulg. (1.2mm-1.6mm)	
Espesor de disco de corte abrasivo	1/16 pulg. (1.6mm)	
Espesor de disco de pulido	5/32 pulg. (4mm)	
Diámetro del disco	3 pulg. (76mm)	
Orificio del disco	3/8 pulg. (9.5mm)	
Peso	2.4lbs (1.1kg)	1.5lbs (0.7kg)

** Voltaje medido sin carga de trabajo. El voltaje inicial de la batería alcanza un máximo de 20V. El voltaje nominal es 18V.

ACCESORIOS

	WX801L	WX801L.9
Disco de corte de metal	2	2
Disco de corte abrasivo	1	1
Disco de pulido	1	1
Llave	1	1
Cargador (WA3742)	1	/
Batería (WA3520)	1	/

Sólo utilice los accesorios apropiados diseñados para esta herramienta. Puede encontrar información sobre los accesorios en el embalaje del producto, consultando a un distribuidor de WORX o en nuestro sitio Web: www.worx.com.

INSTRUCCIONES DE USO



NOTA: Antes de usar la herramienta, lea atentamente el manual de instrucciones.

USO PREVISTO

Esta máquina ha sido diseñada para cortar, labrar y cepillar materiales metálicos y de piedra sin utilizar agua. Para cortar metal, se debe usar una protección especial para corte (accesorio).

ENSAMBLE & FUNCIONAMIENTO

ACCIÓN	FIGURA
ANTES DE LA OPERACIÓN	
Extracción de paquete de batería	Vea la Fig. A1
Cargando la Batería	Vea la Fig. A2
ENSAMBLE	
Bloquee el husillo y ensamble de disco de corte de metal /disco de corte abrasivo /disco de pulido Nota: Presione y sostenga el botón de bloqueo del husillo para bloquear el husillo. Nota: Asegúrese que el disco de corte de metal/ disco de corte abrasivo/ disco de pulido esté ensamblado firmemente. ADVERTENCIA: Antes de cualquier trabajo en la misma máquina, retire el paquete de batería.	Vea la Fig. B
Bloquee el husillo y retire el disco de corte de metal/ disco de corte abrasivo / disco de pulido	Vea la Fig. C

Ajuste de protección de disco para pulido/corte
Nota: Retire el paquete de batería antes de realizar cualquier cambio a la herramienta. Para trabajo con discos de pulido o corte, se debe instalar la protección. Use el tipo correcto de disco para su aplicación. Si se pretende que la herramienta eléctrica realice cualquier operación de corte, se debe instalar una protección específica para esta operación.

Vea la Fig. D1,D2,D3

Instalación de paquete de batería

ADVERTENCIA: Antes de insertar el paquete de batería, asegúrese que el interruptor ON/OFF esté en la posición OFF.

ADVERTENCIA: Cuando vuelva a colocar el paquete de batería, ¡no inserte el paquete de batería hasta que el disco de corte de metal/disco de corte abrasivo / disco de pulido se detenga por completo!

Vea la Fig. E

FUNCIONAMIENTO

Uso de interruptor On/Off
Nota: Presione el interruptor On/Off hacia el frente al botón de bloqueo de encendido. Su interruptor ahora está bloqueado en encendido para uso continuo.

Vea la Fig. F

Área de agarre

Vea la Fig. G

Pulido áspero

⚠️ ADVERTENCIA:
Nunca utilice un disco de corte para realizar esta operación. Esto puede causar lesiones corporales si se usa la herramienta para aplicaciones incorrectas.

Vea la Fig. H

Corte

Vea la Fig. I

CONSEJOS DE TRABAJO PARA SU AMOLADORA ANGULAR

1. Comience siempre sin carga para alcanzar la máxima velocidad y luego comience a trabajar.
2. No fuerce el disco para trabajar más rápido; si reduce la velocidad de trabajo del disco, el trabajo le llevará más tiempo.
3. Siempre trabaje con un ángulo de 15-30 grados entre el disco y la pieza de trabajo cuando pule. Ángulos más grandes cortarían cantos en la pieza de trabajo y afectan el acabado superficial. Desplace el afilador angular a lo largo de la pieza, una y otra vez.
4. Cuando utilice un disco de corte, nunca cambie el ángulo de corte, ya que así atascaría el disco o el motor del afilador, o rompería el disco. Cuando efectúe cortes, hágalos sólo en dirección opuesta a la rotación del disco. Si corta en la misma dirección de rotación del disco, éste puede proyectarse fuera de la ranura de corte.
5. Cuando corte material muy duro, se pueden lograr mejores resultados con un disco de corte abrasivo.
6. Cuando use un disco de corte abrasivo, se calentará demasiado. Si esto sucede, verá un anillo de chispas alrededor del disco en movimiento. Suspnda el corte y deje que se enfríe usándolo sin carga durante 2-3 minutos.
7. Asegúrese siempre de sostener firmemente la pieza de trabajo para prevenir el movimiento.

MANTENIMIENTO

Retire el Paquete de la batería de la herramienta antes de realizar cualquier ajuste, servicio o mantenimiento.

No posee piezas en su interior que puedan ser reparadas por el usuario. Nunca emplee agua o productos químicos para limpiar su herramienta. Use simplemente un paño seco. Guarde siempre su herramienta en un lugar seco. Mantenga limpias las ranuras de ventilación del motor. Mantenga todos los controles de operación libres de polvo. La observación de chispas que destellan bajo las ranuras de ventilación, indica operación normal que no dañará su herramienta. Guarde los accesorios en un lugar seco.

SOLUCIÓN DE PROBLEMAS

A pesar de que el afilador angular nuevo es realmente muy simple de utilizar, si posee algún problema, consulte los puntos que aparecen a continuación:

1. Si la rueda del afilador se tambalea o vibra, compruebe que el reborde exterior esté colocado de forma segura. Compruebe que la rueda esté colocada de forma correcta sobre el reborde.
2. Si existe algún indicio de que la rueda está dañada, no la utilice, debido a que una rueda dañada podría desintegrarse. Retírela y reemplácela por una rueda nueva. Deseche las ruedas usadas de forma razonable.
3. Si está trabajando en aluminio o en otra aleación liviana similar, la rueda quedará atorada y no afilará de forma eficaz.
4. Si ocurre una sobrecarga, el motor se detendrá. Libere la carga de la herramienta de forma inmediata y espere a que se enfríe durante aproximadamente 30 segundos a la velocidad más alta sin carga.
5. Al utilizar la herramienta según las especificaciones, ésta no puede someterse a sobrecargas. Cuando la carga sea demasiado alta o cuando se exceda la temperatura de la batería permitida de 75 °C(167°F), el control electrónico apagará la herramienta hasta que la temperatura vuelva a estar dentro del margen de temperatura adecuado.
6. Si la máquina está bloqueada, por favor apáguelo y enciéndalo de nuevo después de 1 – 2 segundos.

The logo for WORX, featuring the word "WORX" in a bold, black, sans-serif font. The letter "W" is white and set against a grey rectangular background. A small registered trademark symbol (®) is located to the left of the "W".

you've got the power

www.worx.com

Copyright © 2019, Positec. All Rights Reserved.

Copyright © 2019, Positec. Tous droits réservés.

© Derechos reservados 2019, Positec. Todos los derechos reservados.

AR01422400