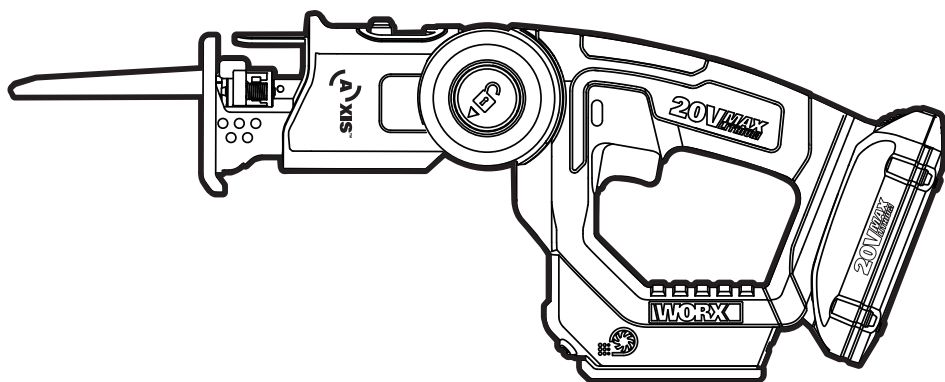


WORX®



AXIS™

**20V MAX
LITHIUM**

Multi-Purpose Saw

EN

P06

Scie polyvalente

F

P12

Sierra multiuso

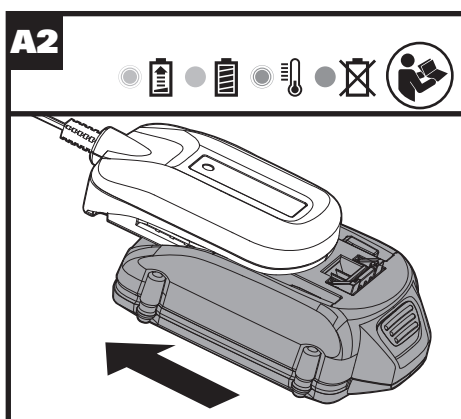
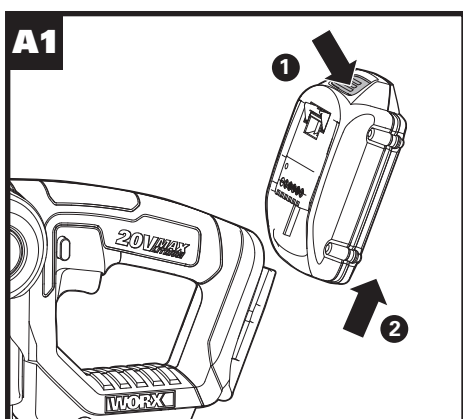
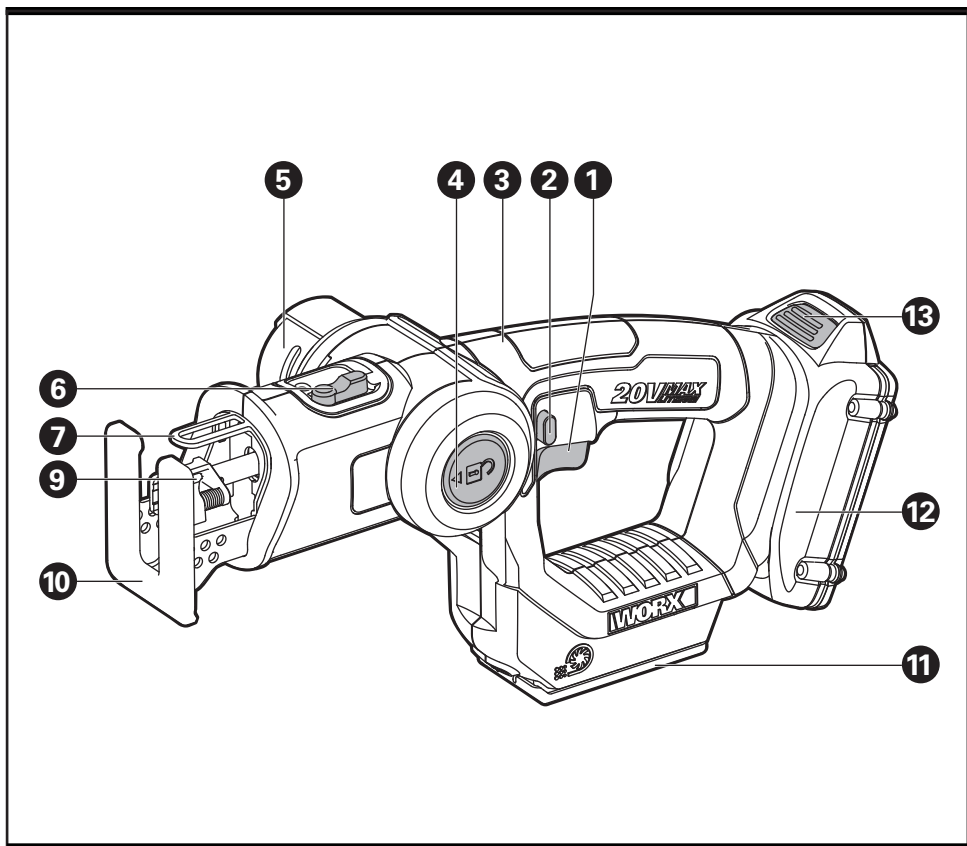
ES

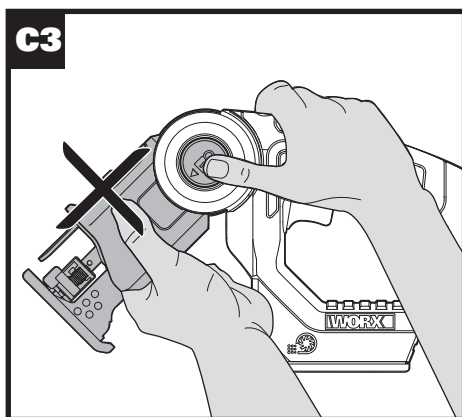
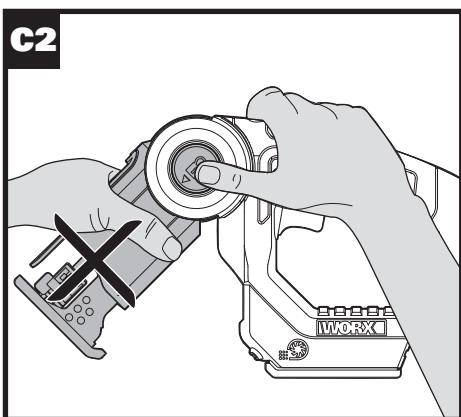
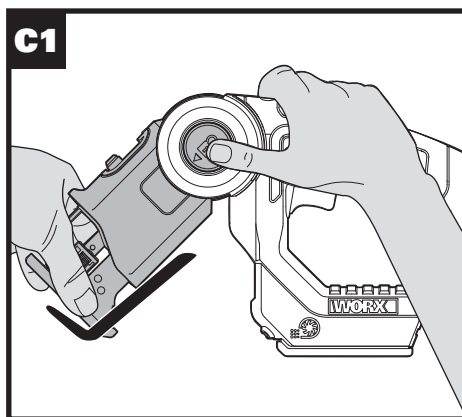
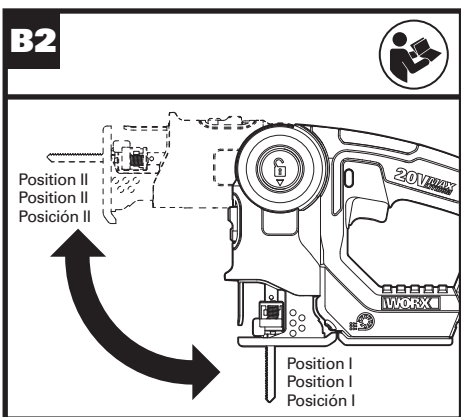
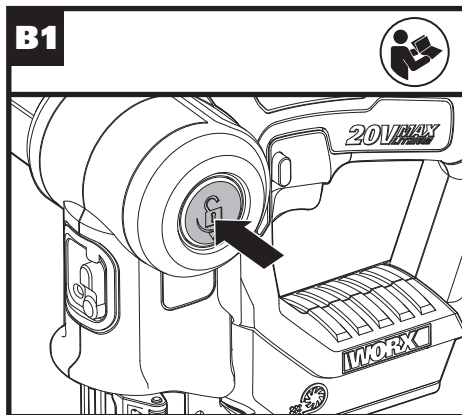
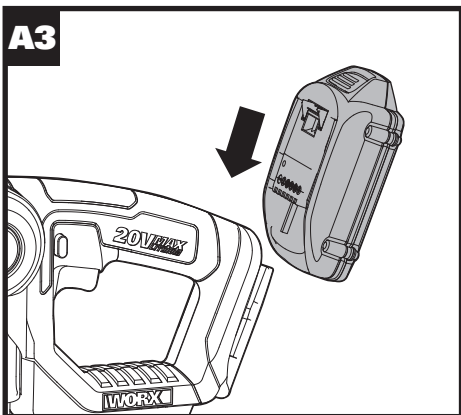
P18

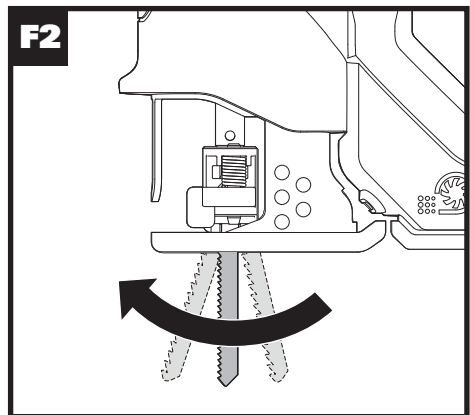
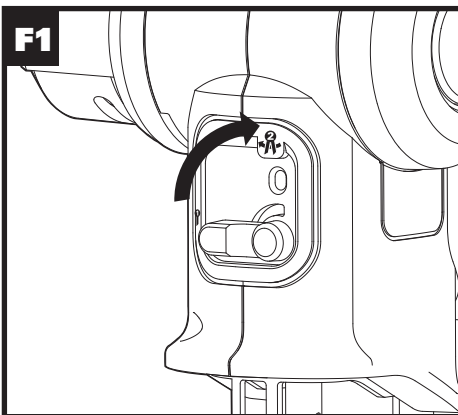
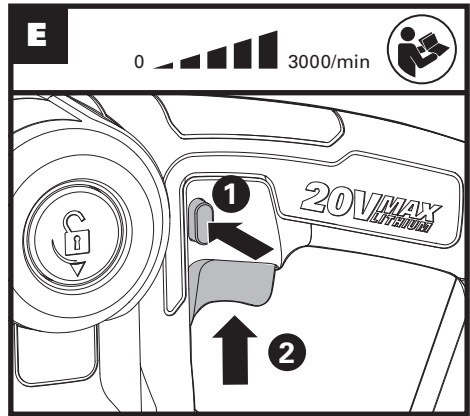
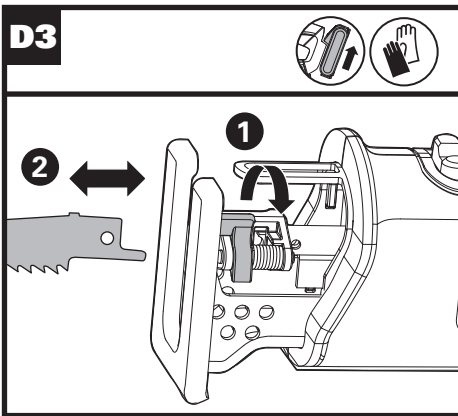
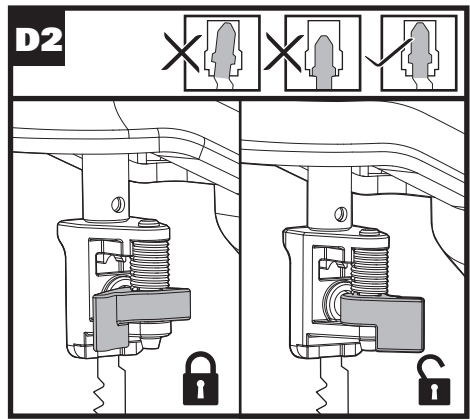
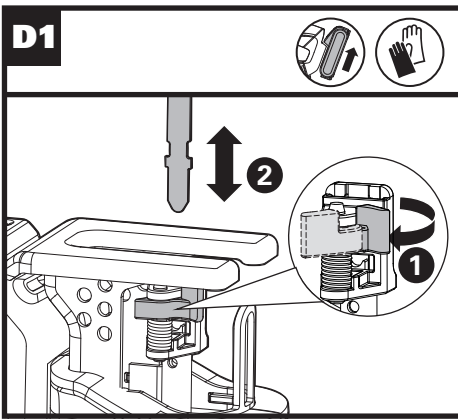


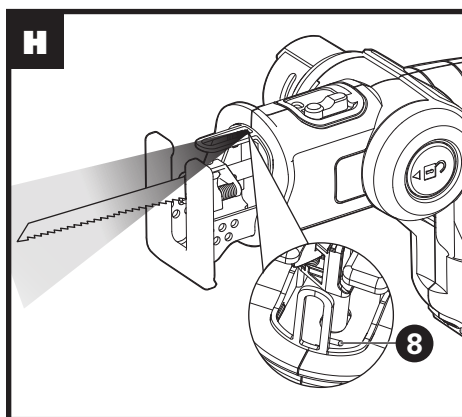
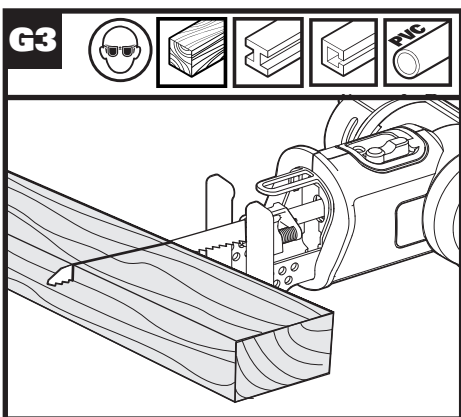
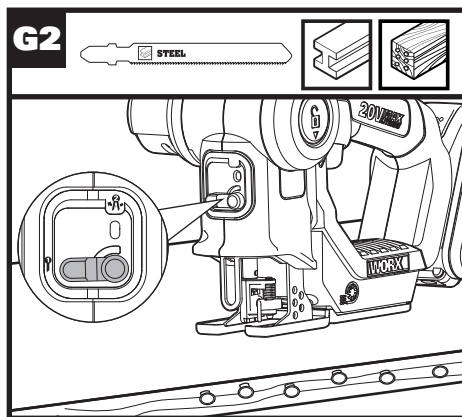
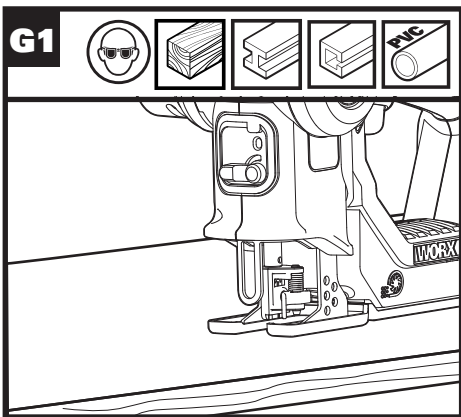
**HELPLINE NUMBER
NUMERO DU SERVICE D'ASSISTANCE
NUMERO DE LINEA DE AYUDA
1-866-354-WORX (9679)**

WX550L WX550L.9










1. ON/OFF SWITCH
2. LOCK-OFF BUTTON
3. HAND GRIP AREAS
4. PIVOT RELEASE BUTTON
5. MOTOR COVER
6. PENDULUM FUNCTION CONTROL
7. PROTECTION FINGER
8. LED WORK LIGHT (SEE FIG. H)
9. BLADE HOLDER
10. FOOT PLATE
11. BASE PLATE
12. BATTERY PACK *
13. BATTERY PACK RELEASE BUTTON

*Not all the accessories illustrated or described are included in standard delivery.

TECHNICAL DATA

Type **WX550L WX550L.9** (5-designation of machinery, representative of Saw)


		WX550L	WX550L.9	
6	Rated voltage	20V  Max**	/	
	Charger voltage	120V~60Hz	/	
	No load speed	3000/min		
	Stroke length	3/4 inch		
	Cutting capacity			
	Jigsaw mode	Wood	2 inch	
PVC pipe		2 inch		
Steel plate		5/32 inch		
Rep saw mode	Wood	2 inch		
	PVC pipe	2 inch		
	Steel pipe	2 inch		
Machine weight	4.2lbs	3.3lbs		

**Voltage measured without workload. Initial battery voltage reaches maximum of 20 volts. Nominal voltage is 18 volts.


ACCESSORIES

	WX550L	WX550L.9
5hr charger (WA3742)	1	/
1.5Ah battery pack (WA3520)	1	/
Wood cutting jig saw blade	1	1
Metal cutting jig saw blade	1	1
Aluminum cutting jig saw blade	1	1
Wood cutting rep saw blade	1	1


Only use the appropriate accessories intended for this tool. Accessory information can be found on the product packaging, at a WORX dealer or on our website at www.worx.com.

-  **WARNING:** Some dust created by power sanding, sawing, grinding, drilling and other construction activities contains chemicals known to the State of California to cause cancer, birth defects or other reproductive harm. Some examples of these chemicals are:
- Lead from lead-based paints;
 - Crystalline silica from bricks and cement and other masonry products and
 - Arsenic and chromium from chemically-treated lumber.

Your risk from these exposures varies, depending on how often you do this type of work. To reduce your exposure to these chemicals, work in a well ventilated area, and work with approved safety equipment, such as those dust masks that are specially designed to filter out microscopic particles.

-  **WARNING:** This product may contain lead, phthalate or other chemicals known to the State of California to cause cancer, birth defects and other reproductive harm. Wash your hands after use.

GENERAL POWER TOOL SAFETY WARNINGS

-  **WARNING: Read all safety warnings and instructions.** Failure to follow the warnings and instructions may result in electric shock, fire and/or serious injury.

Save all warnings and instructions for future reference.

The term power tool in the warnings refers to your electric (corded) power tool or battery-operated (cordless) power tool.

1. WORK AREA SAFETY

- a) **Keep work area clean and well lit.**

Cluttered or dark areas invite accidents.

- b) **Do not operate power tools in explosive atmospheres, such as in the presence of flammable liquids, gases or dust.** Power tools create sparks which may ignite the dust or fumes.
- c) **Keep children and bystanders away while operating a power tool.** Distractions can cause you to lose control.

2. ELECTRICAL SAFETY

- a) **Power tool plugs must match the outlet. Never modify the plug in any way. Do not use any adapter plugs with grounded power tools.** Unmodified plugs and matching outlets will reduce risk of electric shock.
- b) **Avoid body contact with grounded surfaces such as pipes, radiators, ranges and refrigerators.** There is an increased risk of electric shock if your body is grounded.
- c) **Do not expose power tools to rain or wet conditions.** Water entering a power tool will increase the risk of electric shock.
- d) **Do not abuse the cord. Never use the cord for carrying, pulling or unplugging the power tool. Keep cord away from heat, oil, sharp edges or moving parts.** Damaged or entangled cords increase the risk of electric shock.
- e) **When operating a power tool outdoors, use an extension cord suitable for outdoor use marked "W-A" or "W".** Use of a cord suitable for outdoor use reduces the risk of electric shock.
- f) **If operating a power tool in a damp location is unavoidable, use a Ground Fault Circuit Interrupter (GFCI) protected supply.** Use of a GFCI reduces the risk of electric shock.

3. PERSONAL SAFETY

- a) **Stay alert, watch what you are doing and use common sense when operating a power tool. Do not use a power tool while you are tired or under the influence of drugs, alcohol or medication.** A moment of inattention while operating power tools may result in serious personal injury.
- b) **Use personal protective equipment. Always wear eye protection.** Protective equipment such as dust mask, non-skid safety shoes, hard hat, or hearing protection used for appropriate conditions will reduce personal injuries.
- c) **Prevent unintentional starting. Ensure the switch is in the off-position before connecting to power source and/or battery pack, picking up or carrying the tool.** Carrying power tools with your finger on the switch or energizing power tools that have the switch on invites accidents.
- d) **Remove any adjusting key or wrench before turning the power tool on. A**

wrench or a key left attached to a rotating part of the power tool may result in personal injury.

- e) **Do not overreach. Keep proper footing and balance at all times.** This enables better control of the power tool in unexpected situations.
- f) **Dress properly. Do not wear loose clothing or jewelry. Keep your hair, clothing and gloves away from moving parts.** Loose clothes, jewelry or long hair can be caught in moving parts.
- g) **If devices are provided for the connection of dust extraction and collection facilities, ensure these are connected and properly used.** Use of dust collection can reduce dust-related hazards.

4. POWER TOOL USE AND CARE

- a) **Do not force the power tool. Use the correct power tool for your application.** The correct power tool will do the job better and safer at the rate for which it was designed.
 - b) **Do not use the power tool if the switch does not turn it on and off.** Any power tool that cannot be controlled with the switch is dangerous and must be repaired.
 - c) **Disconnect the plug from the power source and/or the battery pack from the power tool before making any adjustments, changing accessories, or storing power tools.** Such preventive safety measures reduce the risk of starting the power tool accidentally.
 - d) **Store idle power tools out of the reach of children and do not allow persons unfamiliar with the power tool or these instructions to operate the power tool.** Power tools are dangerous in the hands of untrained users.
 - e) **Maintain power tools. Check for misalignment or binding of moving parts, breakage of parts and any other condition that may affect the power tool's operation. If damaged, have the power tool repaired before use.** Many accidents are caused by poorly maintained power tools.
 - f) **Keep cutting tools sharp and clean.** Properly maintained cutting tools with sharp cutting edges are less likely to bind and are easier to control.
 - g) **Use the power tool, accessories and tool bits etc., in accordance with these instructions and in the manner intended for the particular type of power tool, taking into account the working conditions and the work to be performed.** Use of the power tool for operations different from those intended could result in a hazardous situation.
- ## 5. BATTERY TOOL USE AND CARE
- a) **Recharge only with the charger specified by the manufacturer.** A charger that is

suitable for one type of battery pack may create a risk of fire when used with another battery pack.

- b) **Use power tools only with specifically designated battery packs.** Use of any other battery packs may create a risk of injury and fire.
 - c) **When battery pack is not in use, keep it away from other metal objects, like paper clips, coins, keys, nails, screws or other small metal objects, that can make a connection from one terminal to another.** Shorting the battery terminals together may cause burns or a fire.
 - d) **Under abusive conditions, liquid may be ejected from the battery; avoid contact. If contact accidentally occurs, flush with water. If liquid contacts eyes, additionally seek medical help.** Liquid ejected from the battery may cause irritation or burns.
- 6. SERVICE**
- a) **Have your power tool serviced by a qualified repair person using only identical replacement parts.** This will ensure that the safety of the power tool is maintained.

disassemble, heat above 100°C (212°F), or incinerate. Do not expose cells or batteries to heat or fire. Avoid storage in direct sunlight.

- 2) **Dispose of used battery promptly. When disposing of secondary cells or batteries, keep cells or batteries of different electrochemical systems separate from each other.**
- 3) **Keep battery out of reach of children and in original package until ready to use.**
- 4) **Never put batteries in mouth. If swallowed, contact your physician or local poison control center.**
- 5) **CAUTION - The battery used in this device may present a risk of fire or chemical burn if mistreated. Replace battery with WORX only. Use of another battery may present a risk of fire or explosion.**
- 6) **Warning: Do not use a visibly damaged battery pack or appliance as applicable.**
- 7) **Warning: Do not modify or attempt to repair the appliance or the battery pack as applicable.**
- 8) **BATTERY MUST BE RECYCLED.**
- 9) **Do not short-circuit a cell or battery. Do not store cells or batteries haphazardly in a box or drawer where they may short-circuit each other or be short-circuited by conductive materials.**
- 10) **Do not subject cells or batteries to mechanical shock.**
- 11) **Keep cells and batteries clean and dry. Wipe the cell or battery terminals with a clean dry cloth if they become dirty.**
- 12) **Do not maintain secondary cells and batteries on charge when not in use.**
- 13) **Retain the original cell and battery literature for future reference.**
- 14) **Do not use any charger other than that specifically provided for use with the equipment. Secondary cells and batteries need to be charged before use.** Always use the correct charger and refer to the manufacturer's instructions or equipment manual for proper charging instructions.
- 15) When possible, remove the battery from the equipment when not in use.
- 16) Prevent unintentional starting. Ensure the switch is in the off-position before connecting to battery pack, picking up or carrying the appliance. Carrying the appliance with your finger on the switch or energizing appliance that have the switch on invites accidents.
- 17) Disconnect the battery pack from the appliance before making any adjustments, changing accessories, or storing appliance. Such preventive safety measures reduce the risk of starting the appliance accidentally.

RECIPROCATING SAW SAFETY WARNINGS

- 1. **Hold reciprocating saw by insulated gripping surfaces, when performing an operation where the cutting accessory may contact hidden wiring.** Cutting accessory contacting a "live" wire may make exposed metal parts of the power tool "live" and could give the operator an electric shock.
- 2. **Use clamps or another practical way to secure and support the workpiece to a stable platform.** Holding the work by hand or against your body leaves it unstable and may lead to loss of control.

ADDITIONAL SAFETY WARNINGS FOR RECIPROCATING SAW






- 1. Always wear a dust mask.

GENERAL SAFETY WARNINGS FOR BATTERY PACK

- 1) **WARNING: Risk of fire and burns. Do not**

SYMBOLS

	To reduce the risk of injury, user must read instruction manual
	Warning
	Wear ear protection
	Wear eye protection
	Wear dust mask
	Li-Ion battery, battery must be recycled.
	Make sure the battery is removed prior to changing accessories
	Wear protective gloves
	Wood
	Metal
	Aluminium
	Plastic

	Incorrect
	Correct
	Lock
	Unlock
	Saw with moderate pressure in order to achieve optimal and precise cutting results



call2recycle®

POSITEC Inc. has established a partnership with the RBRC Corporation to recycle any Positec batteries with the RBRC-call2recycle seal. For environmental protection, please do not discard batteries in the trash. After the batteries' life cycle is ended, then please call 1-800-822-8837 for a free service that will properly dispose of the battery.

OPERATING INSTRUCTIONS



NOTE: Before using the tool, read the instruction book carefully.

ASSEMBLY AND OPERATION

ACTION	FIGURE
BEFORE OPERATION	
Removing the battery pack	See Fig. A1
Charging the battery pack	See Fig. A2
Installing the battery pack	See Fig. A3
Working mode adjustment Position I worked as a jigsaw. Position II worked as a reciprocating saw. NOTE: Select the blade best suitable for the working mode for better cutting performance. WARNING! • To avoid being pinched, keep hands away from the hinge when changing positions. • To avoid tool being turned on accidentally, make sure keep your hands away from the lock-off button. • Before operation, make sure the pivot release button is locked into position.	See Fig. B1 - C3
ASSEMBLY	
Replacing the saw blade CAUTION: Keep your hands away from the lock-off button to prevent switch actuation before making any adjustments or removing or installing attachments or accessories.	See Fig. D1 - D3
OPERATION	
WARNING! Burn hazard. Do not touch the blade immediately after use. Contact with the blade may result in personal injury.	
Switching On and Off NOTE: For safety reasons the On/Off switch of the machine cannot be locked; it must remain pressed during the entire operation.	See Fig. E
Pendulum Function	See Fig. F1, F2

Cutting



WARNING!

- Never hold the pivot head when operating the tool.
- Never hold the motor cover when operating the tool. Always use a blade suited to the material and material thickness to be cut. Before cutting any type of material, be sure it is firmly anchored or clamped to prevent slipping. Holding the work by hand or against your body leaves it unstable and may lead to loss of control.
- Whenever possible, the saw foot plate must be held firmly against the material being cut. This will prevent the saw from jumping or vibrating and minimize blade breakage.

See Fig. G1-G3

LED Work Light

See Fig. H

WORKING HINTS FOR YOUR MULTI-PURPOSED SAW

If your power tool becomes too hot, run no-load for 2-3 minutes to cool the motor. Avoid prolonged usage at very low speeds.

Any movement of the material may affect the quality of the cut. The blade cuts on the upward stroke and may chip the uppermost surface.

Ensure your uppermost surface is a non-visible surface when your work is finished.

MAINTENANCE

Your power tool requires no additional lubrication or maintenance.

There are no user serviceable parts in your power tool. Never use water or chemical cleaners to clean your power tool. Wipe clean with a dry cloth. Always store your power tool in a dry place. Keep the motor ventilation slots clean. Keep all working controls free of dust. Occasionally you may see sparks through the ventilation slots. This is normal and will not damage your power tool.

TROUBLESHOOTING

Symptom	Possible Causes	Possible Solution
The tool suddenly stops during operation.	Over load Battery temperature too high	Relieve the load on the machine immediately and allow cooling for approx. 30 seconds by running the machine on no-load.
	Low battery capacity	Charge the battery pack.

- 1. INTERRUPTEUR MARCHÉ/ARRÊT**
- 2. BOUTON DE VERROUILLAGE**
- 3. ZONES DE PRÉHENSION**
- 4. BOUTON DE DÉVERROUILLAGE DU PIVOT**
- 5. CAPOT DU MOTEUR**
- 6. CONTRÔLE DE FONCTIONNEMENT DU PENDULE**
- 7. BARRE DE SÉCURITÉ**
- 8. TÉMOIN DEL (VOIR FIG. H)**
- 9. SERRE LAME MANUEL**
- 10. SEMELLE**
- 11. PLAQUE DE BASE**
- 12. BLOC-PILES ***
- 13. MÉCANISME DE RETENUE DU BLOC-PILES**

*Les accessoires illustrés ou décrits ne sont pas tous compris dans le cadre de la livraison standard.

DONNÉES TECHNIQUES

Type **WX550L WX550L.9** (5-Désignation de la machine, correspondant à la scie)

	WX550L	WX550L.9
Tension	20V Max**	/
Tension du chargeur	120V~60Hz	/
Vitesse à vide	3000/min	
Course	20mm (3/4po)	
Profondeur maximale de coupe		
Mode scie sauteuse	Bois	50mm (2po)
	les tuyaux en PVC	50mm (2po)
	Les plaques d'acier	4mm (5/32po)
Mode scie égoïne	Bois	50mm (2po)
	les tuyaux en PVC	50mm (2po)
	Tuyau en acier	50mm (2po)
Poids	1.9kg (4.2lbs)	1.5kg (3.3lbs)

**Tension mesurée hors fonctionnement. La tension initiale de la batterie atteint le maximum de 20 volts. La tension nominale est de 18 V.

ACCESSOIRES

	WX550L	WX550L.9
5hr chargeur (WA3742)	1	/
Batterie de 1.5Ah (WA3520)	1	/
Lame de scie sauteuse à bois	1	1
Lame de scie sauteuse pour métaux	1	1
Lame de scie sauteuse pour aluminium	1	1
Lame de scie à guichet à bois	1	1

N'utilisez que les accessoires compatibles à cet outil. Les informations des accessoires peuvent être trouvées sur l'emballage du produit, chez un détaillant WORX ou sur notre site Web www.worx.com.

⚠ AVERTISSEMENT! Certaines des poussières produites en utilisant des outils électriques sont considérées par l'État de Californie comme susceptibles de provoquer le cancer, des anomalies congénitales et d'autres problèmes de reproduction. Voici des exemples de ces produits chimiques:

- Plomb issu de peinture à base de plomb
- Silice cristalline issue de briques et du ciment et autres produits de maçonnerie
- Arsenic et chrome issus de bois traité chimiquement

Votre risque de ces expositions varie en fonction de la fréquence à laquelle vous effectuez ce travail. Pour réduire votre exposition à ces produits chimiques, travaillez dans une zone bien ventilée; portez un équipement de sécurité approuvé, tel que des masques antipoussières spécialement conçus pour éliminer les particules microscopiques par filtrage.

⚠ AVERTISSEMENT! Ce produit peut contenir du plomb, des phtalates ou d'autres agents chimiques connus dans l'État de Californie pour causer le cancer, des malformations congénitales et d'autres problèmes liés à la reproduction. Se laver les mains après utilisation.

AVERTISSEMENTS GÉNÉRAUX CONCERNANT LA SÉCURITÉ DES OUTILS ÉLECTRIQUES

⚠ AVERTISSEMENT! Lisez et assimilez toutes les instructions. Le non-respect des instructions ci-après peut entraîner un risque de choc électrique, d'incendie et/ou de blessures graves.

Conservez tous les avertissements et instructions pour pouvoir les consulter ultérieurement.

L'expression « outil électrique » dans tous les avertissements énumérés ci-dessous se réfère à votre outil électrique fonctionnant sur secteur (branché) ou à batterie (sans-fil).

1. AIRE DE TRAVAIL

- a) **Veillez à ce que l'aire de travail soit propre et bien éclairée.** Le désordre et le manque de lumière favorisent les accidents.
- b) **N'utilisez pas d'outils électriques dans un milieu présentant un risque d'explosion, par exemple en présence de liquides, de gaz ou de poussières inflammables.** Les outils électriques créent des étincelles qui pourraient enflammer les poussières ou les vapeurs.
- c) **Gardez à distance les curieux, les enfants et les visiteurs lorsque vous travaillez avec un outil électrique.** Ils pourraient vous distraire et vous faire faire une fausse manoeuvre.

2. SÉCURITÉ ÉLECTRIQUE

- a) **Les fiches des outils électriques doivent correspondre aux prises murales. Ne jamais modifier la fiche de quelque façon que ce soit. Ne pas utiliser de fiches d'adaptation avec des outils électriques mis à la terre (mis à la masse).** Des fiches non modifiées et des prises qui leur correspondent réduiront le risque de choc électrique.
- b) **Évitez tout contact corporel avec des surfaces mises à la terre (tuyauterie, radiateurs, cuisinières, réfrigérateurs, etc.).** Le risque de choc électrique est plus grand si votre corps est en contact avec la terre.
- c) **N'exposez pas les outils électriques à la pluie ou à l'eau.** La présence d'eau dans un outil électrique augmente le risque de choc électrique.
- d) **Ne maltraitez pas le cordon. Ne transportez jamais l'outil par son cordon et ne débranchez jamais la fiche en tirant sur le cordon. N'exposez pas le cordon à la chaleur, à des huiles, à des arrêtes vives ou à des pièces en mouvement.** Un cordon endommagé augmente le risque de choc électrique.
- e) **Lorsque vous utilisez un outil électrique à l'extérieur, utilisez un prolongateur adapté à une utilisation en extérieur.** L'utilisation d'un cordon adapté à une utilisation extérieure réduit le risque de choc électrique.
- f) **Si vous devez utiliser un outil électrique dans un endroit humide, utilisez un dispositif de courant résiduel (RCD) d'alimentation protégée.** L'utilisation d'un

RCD réduit le risque de choc électrique.

3. SÉCURITÉ DES PERSONNES

- a) **Restez alerte, concentrez-vous sur votre travail et faites preuve de bon sens. N'utilisez pas un outil électrique si vous êtes fatigué ou sous l'influence de drogues, d'alcool ou de médicaments.** Un instant d'inattention lors de l'utilisation d'outils électriques peut entraîner des blessures graves.
 - b) **Utilisez des accessoires de sécurité. Portez toujours une protection oculaire.** De l'équipement de sécurité tel que le masque antipoussière, les chaussures de sécurité antidérapantes, des casques durs ou des protections antibruit utilisés dans des conditions appropriées réduiront les blessures corporelles.
 - c) **Évitez les démarrages accidentels. Avant d'insérer la batterie dans l'outil, assurez-vous que son interrupteur est en position « OFF » (Arrêt) ou verrouillée.** Le fait de transporter un outil avec le doigt sur la détente/l'interrupteur ou d'insérer la batterie dans un outil dont la détente est en position « ON » (Marche) peut causer un accident.
 - d) **Retirer les clés de réglage avant de mettre l'outil sous tension.** Une clé restée attachée à une partie mobile de l'outil pourrait entraîner des blessures corporelles.
 - e) **Ne vous penchez pas trop en avant. Maintenez un bon appui et restez en équilibre en tout temps.** Une bonne stabilité vous permet de mieux réagir à une situation inattendue.
 - f) **Habillez-vous convenablement. Ne portez ni vêtements flottants ni bijoux. Gardez les cheveux, les vêtements et les gants éloignés des pièces en mouvement.** Les vêtements flottants, les bijoux ou les cheveux longs risquent d'être happés par des pièces en mouvement.
 - g) **Si un sac de récupération de la poussière est fourni avec un connecteur pour aspirateur, assurez-vous qu'il est correctement relié et utilisé de façon appropriée.** L'utilisation de ce système réduit les dangers physiques et physiologiques liés à la poussière.
- 4. UTILISATION ET ENTRETIEN DE L'OUTIL**
- a) **Ne forcez pas l'outil. Utilisez l'outil approprié à la tâche.** L'outil approprié fonctionne mieux et de façon plus sécuritaire. Respectez aussi la vitesse de travail qui lui est propre.
 - b) **N'utilisez pas un outil si l'interrupteur ne le met pas en marche ou ne peut l'arrêter.** Un outil qui ne peut être contrôlé par l'interrupteur est dangereux et doit être réparé.
 - c) **Débranchez la batterie de l'outil ou mettez son interrupteur en position**

« OFF » (Arrêt) ou « LOCKED » (Verrouillé) avant d'effectuer un réglage, de changer d'accessoire ou de ranger l'outil. De telles mesures de sécurité préventive réduisent le risque de démarrage accidentel de l'outil.

- d) Rangez les outils hors de portée des enfants et d'autres personnes inexpérimentées.** Les outils sont dangereux dans les mains d'utilisateurs novices.
- e) Prenez soin de bien entretenir les outils. Soyez attentif à tout désalignement ou coincement des pièces en mouvement, à tout bris ou à toute autre condition préjudiciable au bon fonctionnement de l'outil.** Si vous constatez qu'un outil est endommagé, faites-le réparer avant de vous en servir. De nombreux accidents sont causés par des outils en mauvais état.
- f) Les outils de coupe doivent être toujours bien affûtés et propres.** Des outils bien entretenus, dont les arêtes sont bien tranchantes, sont moins susceptibles de se coincer et plus faciles à contrôler.
- g) Utilisez l'outil électrique, les accessoires et les forets etc., en conformité avec ces instructions et de la manière conçue pour le type particulier d'outil électrique, prend en compte les conditions de travail et le travail qui doit être accompli.** L'emploi de l'outil électrique pour des opérations différentes de celles pour lesquelles il a été conçu pourrait entraîner une situation dangereuse.

5. UTILISATION DE LA BATTERIE ET ENTRETIEN

- a) Un outil à batterie avec batteries incorporées ou une batterie séparée doit être rechargé uniquement avec le chargeur indiqué pour la batterie.** Un chargeur qui peut être adéquat pour un type de batterie peut créer un risque d'incendie lorsqu'il est utilisé avec une autre batterie.
- b) Utiliser un outil à batterie uniquement avec la batterie désignée.** L'emploi de toute autre batterie peut créer un risque d'incendie.
- c) Lorsque la batterie n'est pas utilisée, tenez-la à l'écart d'autres objets métalliques tels que trombones, pièces de monnaie, clés, clous, vis ou autres petits objets métalliques susceptibles d'établir une connexion d'une borne à une autre.** Le court-circuitage des bornes de batterie peut causer des étincelles, des brûlures, une explosion ou un incendie.
- d) Dans le cadre de conditions d'abus, du fluide peut être éjecté de la batterie, évitez tout contact. Si un contact se produisait accidentellement, rincez abondamment avec de l'eau. Si le fluide touche les yeux, cherchez en plus de la mesure précédente de l'aide médicale.**

Le fluide éjecté de la batterie peut causer des irritations ou des brûlures.

6. ENTRETIEN

- a) Ayez votre outil électrique entretenu par un réparateur agréé n'utilisant que des pièces de rechange identiques.** Cela assurera que la sécurité de l'outil électrique est maintenue.

RÈGLES DE SÉCURITÉ SUPPLÉMENTAIRES - POUR LES SCIES ALTERNATIVES

- 1. Tenez l'outil électrique par ses surfaces de préhension isolées lorsque vous effectuez une opération dans le cadre de laquelle l'accessoire de coupe risque d'entrer en contact avec un fil caché.**
L'entrée en contact d'un accessoire de coupe avec un fil sous tension pourrait rendre conductrices des parties en métal exposées de l'outil électrique et causer un choc électrique à l'opérateur.
- 2. Utilisez des brides ou d'autres moyens pratiques de brider ou de supporter la pièce sur une plate-forme stable.** Tenir la pièce à la main ou contre le corps est instable et risque de résulter en une perte de contrôle.

INSTRUCTIONS SUPPLÉMENTAIRES CONCERNANT LA SÉCURITÉ DE VOTRE OUTIL

1. Toujours porter un masque anti-poussière.




CONSIGNES GÉNÉRALES DE SÉCURITÉ CONCERNANT LA BATTERIE







- 1) AVERTISSEMENT: Risque d'incendie et de brûlures. Ne démontez pas, ne chauffez pas à une température supérieure à 100°C (212°F) et n'incinerez pas l'appareil. N'exposez pas les piles cellulaires ou la batterie à la chaleur ou au feu. Évitez de ranger la batterie dans un endroit exposé à la lumière directe du soleil.**
- 2) Jetez rapidement les piles usagées. Lors de l'élimination des piles cellulaires ou des batteries, gardez les piles ou les batteries de types électrochimiques**

- différents séparés les uns des autres.
- 3) **Gardez les piles hors de portée des enfants et dans leur emballage d'origine jusqu'au moment de vous en servir.**
 - 4) **Ne mettez jamais les piles dans la bouche. En cas d'ingestion, consultez avec votre médecin ou un centre antipoison.**
 - 5) **ATTENTION - La batterie utilisée dans cet appareil peut présenter un risque d'incendie ou de brûlure chimique si elle n'est pas utilisée avec soin. Remplacez la batterie usée uniquement avec une batterie (WORX). L'utilisation de toute autre batterie peut engendrer un risque d'incendie ou d'explosion.**
 - 6) **Avertissement: N'utilisez pas la batterie ou l'appareil s'il est visiblement endommagé.**
 - 7) **Avertissement: Ne modifiez pas et n'essayez pas de réparer l'appareil ou la batterie vous-même.**
 - 8) **LA BATTERIE DOIT ÊTRE RECYCLÉE.**
 - 9) **Les bornes de contact d'une pile cellulaire ou d'une batterie ne doivent pas être mises en court-circuit. Ne placez pas en vrac les piles ou les batteries dans une boîte ou un tiroir où leurs bornes pourraient être mises en court-circuit par un matériau conducteur.**
 - 10) **N'exposez pas la pile cellulaire ou la batterie à des chocs mécaniques.**
 - 11) **Gardez les piles cellulaires et les batteries propres et sèches. Essayez les bornes de la pile cellulaire ou de la batterie avec un chiffon propre et sec si elles sont sales.**
 - 12) **Ne laissez pas la pile cellulaire ou la batterie en charge lorsqu'elles ne sont pas utilisées.**
 - 13) **Conservez les instructions originales accompagnant la pile cellulaire ou la batterie pour toute future référence.**
 - 14) **N'utilisez pas un chargeur autre que celui spécifiquement conçu pour être utilisé avec l'équipement.** Accumulateurs besoin d'être rechargée avant l'utilisation. Les piles cellulaires et les batteries doivent toujours être chargées avant l'utilisation. Utilisez toujours le chargeur adapté et reportez-vous aux instructions du fabricant ou au manuel de l'équipement pour suivre les instructions concernant la procédure de charge.
 - 15) Si possible, enlevez la batterie de l'équipement lorsqu'il n'est pas utilisé.
 - 16) Pour éviter le démarrage non intentionnel, s'assurer que le bouton de démarrage est en position d'arrêt avant de brancher l'appareil au chargeur ou de le prendre ou de le transporter. Un accident pourrait arriver si vous vous promenez avec l'appareil avec le doigt sur l'interrupteur ou sur le dispositif de charge dont l'interrupteur est en position de charge.
 - 17) Débranchez le bloc de batterie de l'appareil avant de faire des réglages, de remplacer des

accessoires ou de ranger l'appareil. De telles mesures de sécurité réduisent les risques de démarrer l'appareil accidentellement.

SYMBOLES

	Afin de réduire les risques de blessure, l'utilisateur doit lire ce mode d'emploi
	Avertissement
	Portez une protection auditive
	Portez un protecteur oculaire
	Portez un masque antipoussières
	Batterie Li-ion., Les batteries doivent être recyclées
	Par mesure de sécurité, enlevez la batterie avant de remplacer des accessoires
	Toujours porter des gants de protection
	Bois
	Métal
	Aluminium

	Plastique
	Incorrect
	Correct
	Verrouiller
	Déverrouiller
	Scier en appliquant une pression modérée afin d'obtenir des résultats optimaux et découpe précise.

INSTRUCTIONS D'UTILISATION

 **REMARQUE:** Avant d'utiliser cet outil, assurez-vous de lire attentivement le manuel d'utilisation.

ASSEMBLAGE & FONCTIONNEMENT

ACTION	SCHÉMA
AVANT LE FONCTIONNEMENT	
Retrait du bloc de batterie	Voir Fig. A1
Pile en recharge	Voir Fig. A2
Installation du bloc de batterie	Voir Fig. A3
<p>Réglage du mode de fonctionnement</p> <p>En position I, cet outil peut être utilisé comme une scie sauteuse.</p> <p>En position II, cet outil peut être utilisé comme une scie alternative.</p> <p>REMARQUE: Sélectionnez la lame la mieux adaptée au mode de fonctionnement pour une meilleure performance de coupe.</p> <p>⚠ AVERTISSEMENT!</p> <ul style="list-style-type: none"> • Pour éviter tout pincement, tenir les mains éloignées de la charnière au moment de changer de position. • Pour éviter la mise en marche accidentelle de l'outil, assurez-vous de ne pas vous approcher de la touche de verrouillage de sécurité • Avant utilisation, assurez-vous que le bouton de déverrouillage du pivot soit en position verrouillée. 	Voir Fig. B1 - C3
ASSEMBLAGE	
<p>Dépose de la lame</p> <p>⚠ ATTENTION: Gardez vos mains loin du bouton de verrouillage pour éviter une mise en marche accidentelle avant d'effectuer un réglage ou de retirer ou d'installer des accessoires.</p>	Voir Fig. D1 - D3
FONCTIONNEMENT	

16



call2recycle®

POSITEC Inc. a formé un partenariat avec RBRC Corporation pour le recyclage des batteries Positec portant le sceau RBRC-call2recycle. Pour la protection de l'environnement, veuillez à ne pas jeter les batteries aux poubelles. À la fin du cycle de vie de la batterie, appelez 1-800-822-8837 pour un service gratuit qui mettra la batterie au rebut selon les règles de l'art.

AVERTISSEMENT: Risque de brûlure. Ne pas toucher la lame immédiatement après usage. Un contact avec la lame risque de provoquer une blessure corporelle.

Interrupteur marche/arrêt
REMARQUE: Cet outil n'est doté d'aucun dispositif permettant de verrouiller l'interrupteur à la position de marche; il ne doit donc jamais être verrouillé à cette position par quelque moyen que ce soit.

Voir Fig. E

Fonctionnement du pendule

Voir Fig. F1, F2

Coupe

AVERTISSEMENT!
 • Ne tenez jamais la tête du pivot lorsque vous utilisez l'outil.

• Ne jamais tenir le couvercle du moteur lors de l'utilisation de l'outil
 Utilisez toujours une lame adaptée au matériau et à son épaisseur. Avant de couper tout matériau, s'assurer que ce dernier est bien ancré ou serré dans un étau pour éviter tout glissement. Tenir la pièce avec la main ou contre son corps n'est pas suffisamment stable et risque de provoquer une perte de maîtrise de l'outil.

• En autant que possible, la semelle de la scie doit être solidement appuyée contre le matériau à couper. Cela évite tout écart ou vibration de la scie et réduira le bris de lame.

Voir Fig. G1-G3

Témoin DEL

Voir Fig. H

PRENEZ SOIN DE VOS OUTILS ET ENTRETENEZ LES BIEN

Votre outil ne nécessite aucune lubrification ou entretien supplémentaire.

Il ne comporte aucune pièce à réparer ou à entretenir par l'utilisateur. N'utilisez jamais de l'eau ou des nettoyants chimiques pour nettoyer l'outil. Essuyez-le avec un chiffon sec. Rangez toujours votre outil dans un endroit sec. Gardez propres les ouvertures de ventilation du moteur. Assurez-vous que les commandes soient exemptes de poussière. Si vous remarquez des étincelles dans les ouvertures de ventilation, ceci est normal et n'endommagera pas votre outil.

GUIDE DE DÉPANNAGE

Symptôme	Les causes possibles	Solution possible
L'outil s'arrête soudainement en cours de fonctionnement.	Surcharge de l'outil Température de la batterie trop élevée.	Soulagez immédiatement la charge sur l'outil et laissez-le refroidir pendant environ 30 secondes en le laissant fonctionner à pleine vitesse à vide.
	Batterie faible.	Rechargez la batterie.

TRUCS POUR UTILISER VOTRE SCIE

Si votre outil motorisé devient trop chaud, opérez le à vide durant 2 à 3 minutes pour refroidir le moteur. Évitez un usage prolongé à très basse vitesse.

Tout déplacement du matériau pourrait affecter la qualité de la coupe. La lame coupe sur la course vers le haut et pourrait écailler la partie surface supérieure.


Assurez-vous que la surface supérieure ne sera pas visible lorsque le projet sera terminé.

1. GATILLO DE ENCENDIDO/APAGADO
2. INTERRUPTOR DE DESTRABADO
3. ÁREA DE AGARRE
4. BOTÓN DE LIBERACIÓN DE PIVOTE
5. CUBIERTA DEL MOTOR
6. INTERRUPTOR DE CONTROL DE ACCIÓN PÉNDULO
7. BARRA DE SEGURIDAD DE LA HOJA
8. LUZ DEL TRABAJO (VER FIG. H)
9. SOPORTE DE LA HOJA
10. ZAPATA
11. BASE
12. PAQUETE DE BATERÍAS *
13. LENGÜETAS DE LIBERACIÓN DE LAS BATERÍAS

***No todos los accesorios ilustrados o descritos se incluyen junto con el producto estándar.**

DATOS TÉCNICOS

Tipo **WX550L WX550L.9 (5- Designación de maquinaria, representante de Sierra)**

		WX550L	WX550L.9
Tensión		20V  Max**	/
Tensión de cargador		120V~60Hz	/
Velocidad sin carga		3000/min	
Longitud de carrera		3/4pulg. (20mm)	
Capacidad de corte			
Modo de caladora	Madera	2pulg.(50mm)	
	tubería de PVC	2pulg.(50mm)	
	Placa de acero	5/32pulg.(4mm)	
Modo de sierra recíproca	Madera	2pulg.(50mm)	
	tubería de PVC	2pulg.(50mm)	
	Tubo de acero	2pulg.(50mm)	
Peso		4.2lbs (1.9kg)	3.3lbs (1.5kg)

** Voltaje medido sin carga de trabajo. El voltaje inicial de la batería alcanza un máximo de 20 V. El voltaje nominal es 18 V.

ACCESORIOS

	WX550L	WX550L.9
5hr Cargador (WA3742)	1	/
1.5Ah Batería de litio (WA3520)	1	/
Aspa de caladora de corte de madera	1	1
Aspa de caladora de corte de metal	1	1
Aspa de caladora de corte de aluminio	1	1
Aspa de sierra recíproca de corte de madera	1	1

Sólo utilice los accesorios apropiados diseñados para esta herramienta. Puede encontrar información sobre los accesorios en el embalaje del producto, consultando a un distribuidor de WORX o en nuestro sitio Web: www.worx.com.

⚠ ¡ADVERTENCIA! El polvo originado por la utilización de herramientas motorizadas contiene químicos que, según el Estado de California, causan cáncer, defectos congénitos y otros daños reproductivos. Algunos ejemplos de esos productos químicos son:

- El plomo de las pinturas a base de plomo
- La sílice cristalina de los ladrillos, del cemento y de otros productos de albañilería
- El arsénico y el cromo de la madera tratada químicamente

El riesgo que se corre a causa del contacto con esos productos varía según la frecuencia con que usted realice este tipo de trabajos. Con el fin de reducir su exposición a esas substancias químicas, trabaje en un área bien ventilada; utilice un equipo de seguridad adecuado, tal como una máscara contra el polvo especialmente diseñada para filtrar partículas microscópicas.

⚠ ¡ADVERTENCIA! Este producto podría contener plomo, ftalato y otros químicos identificados por el Estado de California como causantes de cáncer, defectos congénitos y otras lesiones reproductivas. Lave sus manos después de cada uso.

ADVERTENCIAS DE SEGURIDAD GENERALES PARA LA HERRAMIENTA MOTORIZADA

⚠ ¡ADVERTENCIA! Lea y comprenda todas las instrucciones. El no seguir todas las instrucciones a continuación puede ocasionar descargas eléctricas, incendios y/o heridas graves.

Conserve todas las advertencias e instrucciones para consulta futura.

El término “herramienta eléctrica” que figura en todas las advertencias que aparecen a continuación hace referencia a la herramienta que funciona con la red de suministro eléctrico (con cable) o a la herramienta eléctrica accionada a baterías (sin cable).

1. ÁREA DE TRABAJO

- a) Mantenga su lugar de trabajo limpio y bien iluminado.** Bancos de trabajo desordenados y lugares oscuros invitan a los accidentes.
- b) No utilice herramientas eléctricas en atmósferas explosivas, como por ejemplo en presencia de líquidos, inflamables, gases o polvo.** Las herramientas eléctricas crean chispas que pueden encender el polvo o los vapores.
- c) Mantenga a los espectadores, niños y visitantes a una distancia prudente cuando esté utilizando una herramienta eléctrica.** Las distracciones pueden hacerle perder el control.

2. SEGURIDAD ELÉCTRICA

- a) Los enchufes de las herramientas eléctricas deben coincidir con el tomacorriente. No modifique de algún modo el enchufe. No utilice enchufes adaptadores con herramientas eléctricas conectadas a tierra.** Si no se modifican los enchufes y se utilizan los tomacorrientes adecuados, se reducirá el riesgo de una descarga eléctrica.
- b) Evite el contacto del cuerpo con las superficies conectadas a tierra tales como tuberías, radiadores, estufas de cocina y refrigeradores.** Existe mayor riesgo de que se produzcan descargas eléctricas si su cuerpo está conectado a tierra.
- c) No exponga las herramientas eléctricas a la lluvia ni a los ambientes húmedos.** La entrada de agua en una herramienta eléctrica aumenta el riesgo de que se produzcan descargas eléctricas.
- d) No abuse del cable. Nunca use el cable para transportar las herramientas ni para sacar el enchufe de un tomacorriente. Mantenga el cable alejado del calor, el aceite, los bordes afilados o las piezas móviles.** Los cables dañados aumentan el riesgo de que se produzcan descargas eléctricas.
- e) Cuando opere una herramienta eléctrica en exteriores, use un cable de extensión adecuado para uso en exteriores.** El uso de un cable adecuado para uso en exteriores reduce el riesgo de descargas eléctricas.
- f) Si operar una herramienta eléctrica en un lugar húmedo es inevitable, use un elemento protegido del dispositivo de**

corriente residual (RCD). El uso de un RCD reduce el riesgo de descargas eléctricas.

3. SEGURIDAD PERSONAL

- a) Manténgase alerta, fíjese en lo que está haciendo y use el sentido común cuando utilice una herramienta eléctrica. No use la herramienta cuando esté cansado o se encuentre bajo la influencia de drogas, alcohol o medicamentos.** Un momento de distracción al utilizar herramientas eléctricas puede dar lugar a lesiones personales graves.
- b) Utilice equipo de seguridad. Use siempre protección ocular.** La utilización del equipo de seguridad como mascarilla antipolvo, zapatos de seguridad antideslizantes, casco o protección auditiva para condiciones adecuadas reducirá el riesgo de lesiones personales.
- c) Evite el arranque accidental. Asegúrese de que el interruptor esté en la posición de trabado o de apagado antes de instalar el paquete de baterías.** Transportar herramientas con el dedo en el interruptor o instalar el paquete de batería cuando el interruptor está encendido invitan a los accidentes.
- d) Retire las llaves o claves de ajuste antes de encender la herramienta.** Una llave o clave de ajuste dejada en una parte giratoria de la herramienta puede causar una lesión personal.
- e) No intente alcanzar demasiado lejos. Mantenga un apoyo de los pies y un equilibrio adecuados en todo momento.** El apoyo de los pies y el equilibrio adecuados permiten un mejor control de la herramienta en situaciones inesperadas.
- f) Vístase apropiadamente. No se ponga ropa holgada ni joyas. Mantenga su cabello, ropa y guantes alejados de las piezas móviles.** La ropa holgada, las joyas o el pelo largo pueden quedar atrapados en las piezas móviles.
- g) Si se proporcionan dispositivos para la extracción y recolección de polvo, asegúrese que estos estén conectados y utilizados correctamente.** El uso de estos dispositivos puede reducir peligros relacionados con el polvo.

4. USO Y CUIDADO DE LA HERRAMIENTA

- a) No fuerce la herramienta. Emplee la herramienta correcta para la aplicación que desea.** La herramienta correcta hará el trabajo mejor y con más seguridad a la capacidad nominal para la que está diseñada.
- b) No utilice la herramienta si el interruptor no la enciende o apaga.** Toda herramienta que no se pueda controlar con el interruptor es peligrosa y debe ser reparada.
- c) Desconecte la batería de la herramienta o ponga el interruptor en la posición de**

trabado o de apagado antes de hacer cualquier ajuste, cambio de accesorios o guardar la herramienta. Estas medidas de seguridad preventivas reducen el riesgo de encender la herramienta accidentalmente.

- d) **Guarde las herramientas que no esté usando fuera del alcance de los niños y otras personas no capacitadas.** Las herramientas son peligrosas en las manos de los usuarios no capacitados.
- e) **Mantenga las herramientas con cuidado. Compruebe la desalineación o el atasco de las piezas móviles, la ruptura de piezas y cualquier otra situación que pueda afectar el funcionamiento de las herramientas.** Si la herramienta está dañada, hágala arreglar antes de usarla. Muchos accidentes son causados por herramientas mantenidas deficientemente.
- f) **Conserve las herramientas de corte afiladas y limpias.** Las herramientas mantenidas adecuadamente, con bordes de corte afilados, tienen menos probabilidades de atascarse y son más fáciles de controlar.
- g) **Utilice la herramienta eléctrica, accesorios, brocas de la herramienta, etc. de acuerdo con estas instrucciones y de la manera adecuada para el tipo de herramienta eléctrica, teniendo en cuenta las condiciones de trabajo y el trabajo que se realizará.** La utilización de la herramienta eléctrica para operaciones diferentes de aquellas para las que se encuentra diseñada podría dar lugar a una situación peligrosa.

5. UTILIZACIÓN Y CUIDADO DE LA HERRAMIENTA ACCIONADA A BATERÍAS

- a) **Una herramienta accionada a baterías que tenga baterías integradas o un paquete de baterías separado se debe recargar solamente con el cargador especificado para la batería.** Un cargador que puede ser adecuado para un tipo de batería puede crear un peligro de incendio cuando se usa con otra batería.
- b) **Utilice la herramienta accionada a baterías solamente con el paquete de baterías designado específicamente.** El uso de cualquier otra batería puede crear un peligro de incendio.
- c) **Cuando el paquete de baterías no se usa, manténgalo alejado de otros objetos metálicos como: sujetapapeles, monedas, clavos, tornillos u otros pequeños objetos de metal capaces de hacer una conexión entre los terminales.** El cortocircuito de los terminales de una batería puede causar chispas, quemaduras o incendio.
- d) **Bajo condiciones abusivas, la batería puede expulsar líquido; evite el contacto. Si ocurre un contacto accidental,**

enjuagar con agua. Si el líquido entra en contacto con los ojos, busque ayuda médica. El líquido expulsado por la batería puede causar irritación o quemaduras.

6. REPARACIÓN

- a) **La herramienta debe ser reparada por una persona calificada de servicio técnico y se deben utilizar partes de reemplazo idénticas.** Esto asegurará el mantenimiento de la seguridad de la herramienta eléctrica.

NORMAS DE SEGURIDAD PARA SIERRAS ALTERNATIVAS SIN CORDÓN

1. **Agarre la herramienta eléctrica por las superficies de agarre con aislamiento cuando realice una operación en la que el accesorio de corte pueda entrar en contacto con cableado oculto.** Si el accesorio de corte entra en contacto con un cable con corriente, puede que eso haga que las partes metálicas de la herramienta eléctrica que están al descubierto lleven corriente, lo cual podría causar una descarga eléctrica al operador.
2. **Use abrazaderas u otro modo práctico de sujetar y soportar la pieza de trabajo en una plataforma estable.** Si se sujeta la pieza de trabajo con la mano o contra el cuerpo, se crea una situación inestable que podría causar pérdida de control.

INFORMACIÓN DE SEGURIDAD ADICIONAL DE LA HERRAMIENTA

1. Use siempre una máscara anti-polvo.

ADVERTENCIAS DE SEGURIDAD GENERAL PARA EL PAQUETE DE BATERÍA

- 1) **ADVERTENCIA: Riesgo de incendio y quemaduras. No desarmar, calentar por encima de los 100 °C (212 °F), ni incinerar. No exponga las celdas o baterías al calor o fuego. Evite guardar a la luz directa del sol.**
- 2) **Deseche las baterías usadas de inmediato. Cuando deseche las celdas o baterías**

secundarias, mantenga las celdas o baterías de sistemas electroquímicos diferentes separadas entre sí.

- 3) Mantenga las baterías fuera del alcance de los niños y en el paquete original hasta que estén listas para usar.
- 4) Nunca se lleve las baterías a la boca. Si se tragan, contacte a su médico o al centro de control de envenenamiento local.
- 5) **PRECAUCIÓN** - La batería usada en este dispositivo puede presentar riesgo de incendio o quemadura química si se manipula en forma incorrecta. Reemplace la batería con (WORX) solamente. El uso de otra batería puede presentar riesgo de incendio o explosión.
- 6) **Advertencia: no use un paquete de batería o dispositivo visiblemente dañado según corresponda.**
- 7) **Advertencia: no modifique ni intente reparar el dispositivo o batería según corresponda.**
- 8) **LA BATERÍA DEBE RECICLARSE.**
- 9) Evite cortocircuitos de celda o batería. No guarde las celdas o baterías en forma peligrosa en una caja o cajón donde puedan hacer cortocircuito entre sí o con materiales conductivos.
- 10) No someta las celdas o baterías a descargas mecánicas.
- 11) Mantenga las celdas y baterías limpias y secas. Limpie las terminales de batería o celda con un paño seco y limpio si se ensucian.
- 12) No mantenga en carga las celdas y baterías secundarias cuando no estén en uso.
- 13) **Conserve la información de la batería y celda originales para referencia futura.**
- 14) **No use cargadores que no sean los específicamente suministrados para uso con el equipo. Las celdas y baterías secundarias se deben cargar antes del uso.** Siempre use el cargador correcto y consulte las instrucciones del fabricante o el manual del equipo para saber las instrucciones correctas de carga.
- 15) Cuando sea posible quite la batería del equipo cuando no esté en uso.
- 16) Evite un encendido no intencional. Asegúrese de que el interruptor se encuentre en la posición de apagado antes de realizar la conexión con la batería, recoger o transportar la herramienta. El transporte de la herramienta con el dedo sobre el interruptor o con una herramienta que está energizada y posee el interruptor en la posición de encendido puede provocar accidentes.
- 17) Desconecte la batería de la herramienta antes de realizar ajustes, cambiar accesorios o almacenar la herramienta. Dichas medidas de seguridad preventivas reducen el riesgo de encender la herramienta de forma accidental.

SÍMBOLOS

	Para reducir el riesgo de lesiones, el usuario deberá leer el manual de instrucciones
	Advertencia
	Use protección auditiva
	Use lentes de seguridad
	Use máscara contra el polvo
	Batería de iones de litio, La batería deberá reciclarse
	Asegúrese de extraer la batería antes de cambiar los accesorios
	Use siempre unos guantes de protección
	Madera
	Metal
	Aluminio
	Plástico

	Incorrecto
	Correcto
	Bloqueo
	Desbloqueo
	Corte con presión moderada para lograr resultados de corte óptimos y precisos.



call2recycle®

POSITEC Inc. ha establecido una asociación con la empresa RBRC para el reciclaje de todas las baterías Positec que posean el sello RBRC-call2recycle. Para contribuir con la protección del medio ambiente, no deseche las baterías como residuos normales. Después de que haya finalizado el ciclo de vida útil de la batería, comuníquese al 1-800-822-8837 para acceder al servicio gratuito.

INSTRUCCIONES DE USO



NOTA: Antes de usar la herramienta, lea atentamente el manual de instrucciones.

ENSAMBLE & FUNCIONAMIENTO

ACCIÓN	FIGURA
ANTES DE LA OPERACIÓN	
Extracción de paquete de batería	Consulte la Figura A1
Cargando la Batería	Consulte la Figura A2

Instalación de paquete de batería	Consulte la Figura A3
<p>Ajuste de modo de operación</p> <p>En la posición I, se puede utilizar esta herramienta como una sierra de vaivén.</p> <p>En la posición II, se puede utilizar esta herramienta como una sierra recíproca.</p> <p>NOTA: Seleccione el aspa más adecuada para el modo de operación para mejor desempeño de corte.</p> <p>⚠ ADVERTENCIA!</p> <ul style="list-style-type: none"> • Para evitar pellizcos, mantenga los dedos lejos de la bisagra al cambiar posiciones. • A fin de evitar que la herramienta se encienda de forma accidental, asegúrese de mantener sus manos lejos del botón de bloqueo de apagado. • Antes de la operación, asegúrese que el botón de liberación de pivote esté bloqueado en su posición. 	Consulte la Figura B1 - C3

ENSAMBLE

<p>Extracción de la hoja</p> <p>⚠ PRECAUCIÓN: Mantenga las manos alejadas del interruptor de destrabado para evitar una activación del gatillo antes de realizar cualquier ajuste o extraer o instalar accesorios.</p>	Consulte la Figura D1 - D3
---	----------------------------

USO

⚠ ADVERTENCIA! Riesgo de quemaduras. No toque la hoja inmediatamente después de usarla. El contacto con la hoja puede ocasionar lesiones personales.

<p>Llave de encendido/apagado</p> <p>NOTA: Esta herramienta no permite bloquear el interruptor en la posición de encendido y nunca debe bloquearse en esta posición de ninguna otra forma.</p>	Consulte la Figura E
Control de Acción Péndulo	Consulte la Figura F1, F2

Corte



ADVERTENCIA!

- Nunca sostenga la cabeza giratoria al utilizar la herramienta.
- Nunca sostenga la cubierta del motor cuando opere la herramienta.

Utilice siempre una hoja adecuada al material y al grosor del material a ser cortado. Antes de cortar cualquier tipo de material, verifique que esté firmemente anclado o sujeto con abrazaderas para evitar que se resbale. Sostener la pieza de trabajo con la mano o contra el cuerpo no brinda la estabilidad requerida y puede llevar a la pérdida del control.

- Siempre que sea posible, la zapata de la sierra debe sujetarse firmemente contra el material que se está cortando. Esto evitará que la sierra salte o vibre y minimizará el daño a la hoja.

Consulte la Figura G1-G3

Luz del trabajo

Consulte la Figura H

las ranuras de ventilación del motor. Mantenga todos los controles de operación libres de polvo. La observación de chispas que destellan bajo las ranuras de ventilación, indica operación normal que no dañará su herramienta.

SOLUCIÓN DE PROBLEMAS

Problema	Causa posible	Solución posible
La herramienta se detiene de forma repentina durante su uso.	Sobrecarga Temperatura de la batería demasiado alta.	Libere inmediatamente la carga de la herramienta y espere a que se enfríe durante aproximadamente 30 segundos a la velocidad más alta sin carga.
	Capacidad baja de la batería.	Cargando la Batería.

SUGERENCIAS DE TRABAJO PARA SU HERRAMIENTA

Si su herramienta eléctrica se calienta demasiado, hágalo funcionar sin carga por 2-3 minutos para enfriar el motor. Evite el uso prolongado a velocidades muy baja.

Para mayor control, utilice baja velocidad al comenzar a cortar y después aumentela hasta lograr la velocidad correcta. Cualquier movimiento del material puede afectar la calidad del corte. La hoja corta en movimiento ascendente y puede astillar la superficie superior.

Cerciórese de que la superficie superior no sea una superficie visible cuando el trabajo esté terminado.

MANTENGA LAS HERRAMIENTAS CON CUIDADO

Su herramienta no requiere lubricación ni mantenimiento adicional.

No posee piezas en su interior que puedan ser reparadas por el usuario. Nunca emplee agua o productos químicos para limpiar su herramienta. Use simplemente un paño seco. Guarde siempre su herramienta en un lugar seco. Mantenga limpias

CAUTION/ATTENTION/PRECAUCIÓN



**LITHIUM ION BATTERY
BATTERIE AU LITHIUM-ION
BATERÍA DE ION DE LITIO**



Do Not Load or Transport Package if Damaged
Il est interdit de charger ou de transporter le paquet s'il est endommagé
No cargue o transporte el paquete si está dañado

For more information, call / Pour plus d'informations, appelez-le / Para mayor información, llame al
Within USA and Canada / Aux États-Unis et au Canada / Dentro de EUA y Canadá: 1-800-424-9300

Outside USA and Canada /Hors des États-Unis et du Canada / Fuera de EUA y Canadá: +1-703-741-5970

Non Emergency / Hors urgence / No Emergencia: 855-694-2388

WORX

you've got the power

www.worx.com

Copyright © 2016, Positec. All Rights Reserved.

Copyright © 2016, Positec. Tous droits réservés.

© Derechos reservados 2016, Positec. Todos los derechos reservados.