

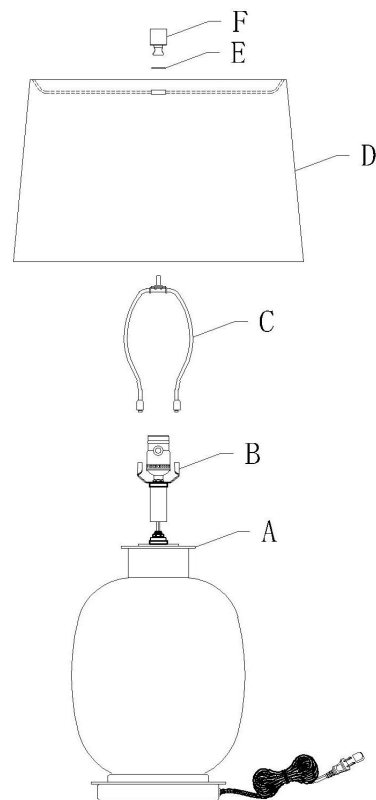
ASSEMBLY INSTRUCTIONS

PLEASE ASSEMBLE THE PRODUCT BY FOLLOWING STEPS:

1. Unpack all parts from cartons carefully.
2. Fasten the socket assembly(B) onto lamp body(A) until tight;
3. Place the harp (C) onto the socket assembly(B);
4. Place the shade (D) onto the harp(C);
5. Fasten the finial (F) onto the harp(C) until tight.

IMPORTANT SAFETY INSTRUCTIONS

This portable lamp has a polarized plug (one blade is wider than the other) as a safety feature to reduce the risk of electric shock. This plug will fit in a polarized outlet only one way. If the plug does not fit fully in the outlet, reverse the plug. If it still does not fit, contact a qualified electrician. Never use with an extension cord unless plug can be fully inserted. Do not attempt to defeat this safety feature.



ASSEMBLY INSTRUCTIONS

PLEASE ASSEMBLE THE PRODUCT BY FOLLOWING STEPS:

1. Unpack all parts from cartons carefully.
2. Fasten the socket assembly(B) onto lamp body(A) until tight;
3. Place the harp (C) onto the socket assembly(B);
4. Place the shade (D) onto the harp(C);
5. Fasten the finial (F) onto the harp(C) until tight.

IMPORTANT SAFETY INSTRUCTIONS

This portable lamp has a polarized plug (one blade is wider than the other) as a safety feature to reduce the risk of electric shock. This plug will fit in a polarized outlet only one way. If the plug does not fit fully in the outlet, reverse the plug. If it still does not fit, contact a qualified electrician. Never use with an extension cord unless plug can be fully inserted. Do not attempt to defeat this safety feature.

