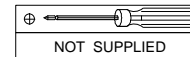




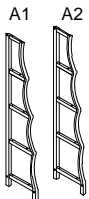
CRESTVIEW COLLECTION

# CVFVR8207 - ASSEMBLY INSTRUCTION



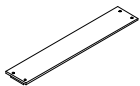
## PARTS LIST

A x 2



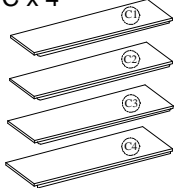
SIDE FRAME

B x 1



TOP SHELF

C x 4

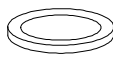


SHELVES

D x 2

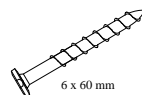


E x 25



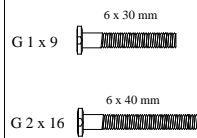
FLAT WASHER

F x 6



SCREW

G x 6



BOLT

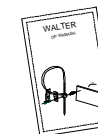
H x 2



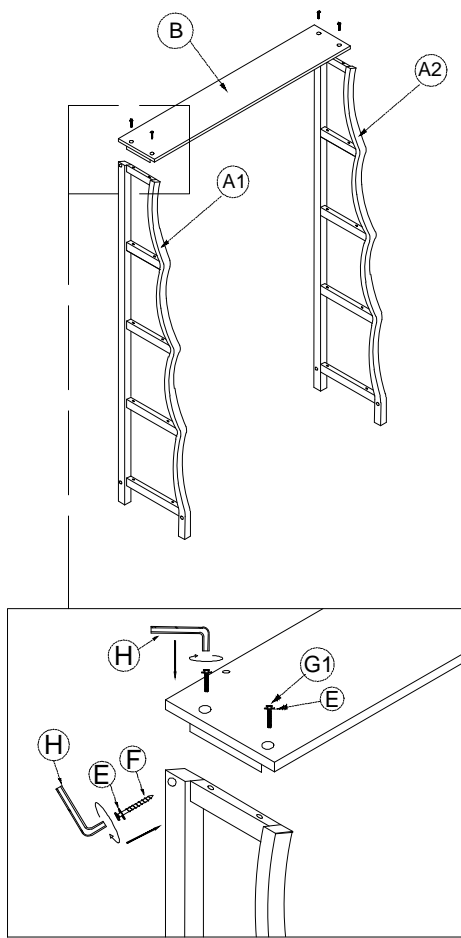
HEX KEY

TIPPING RESTRAIN

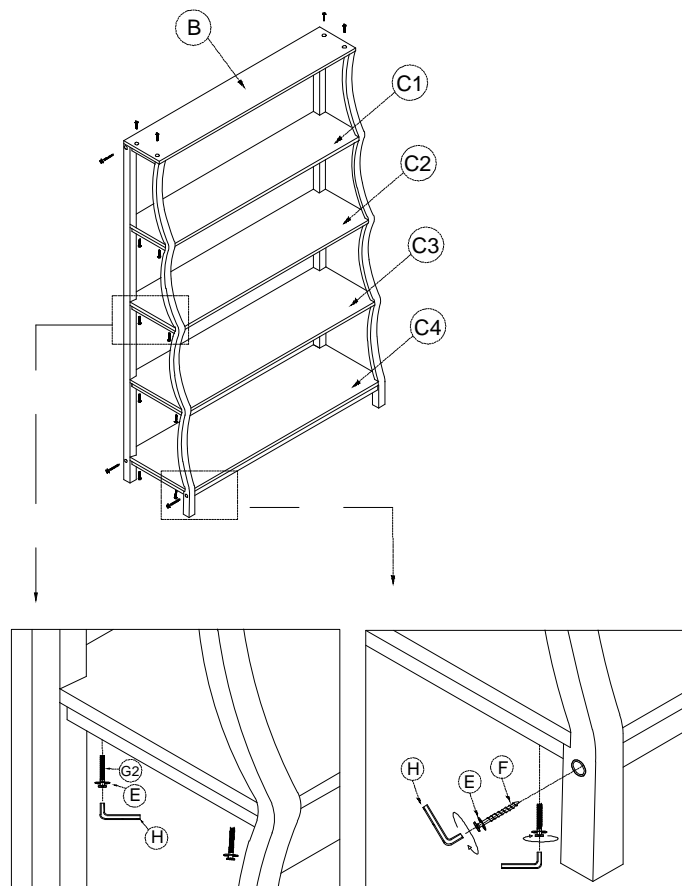
I x 2



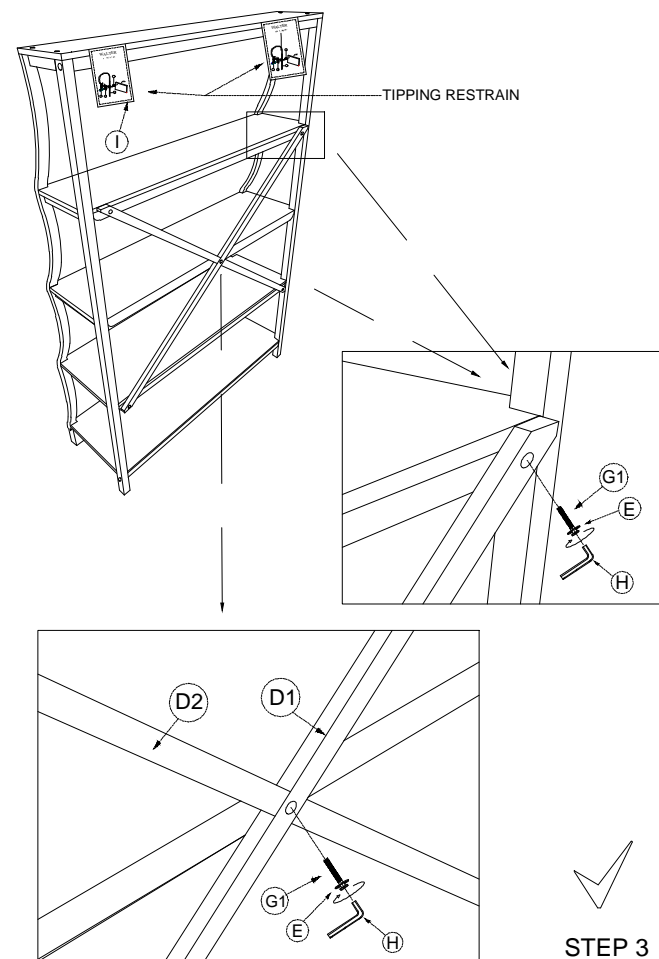
## HARDWARE LIST



STEP 1



STEP 2



STEP 3

