








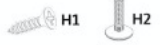


ASSEMBLY INSTRUCTION

CVFNR5041

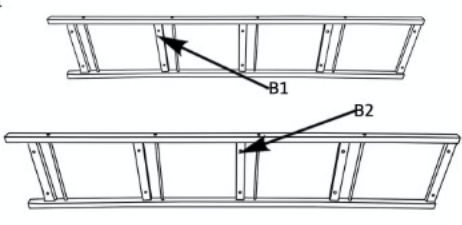
PARTS

S.NO.	DESCRIPTION	QNT
A	 WOODEN TOP A1/A2/A3/A4/A5	5
B	 WOODEN LEG B1/B2	2
C	 LEG SUPPORT C	4
D	 IRON WHEELS D	4

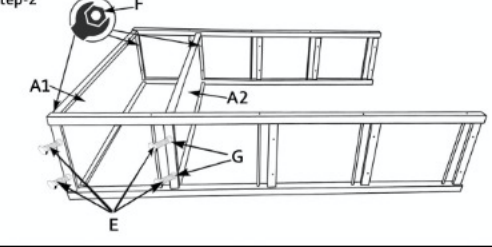
HARDWARE

S.NO.	DESCRIPTION	QNT
E	 NUT E	20
F	 BOLT F	20
G	 WASHER G	20
H	 SCREW ALLEN SCREW H1 H2	24/16
I	 SPANNER I	1
J	 SCREW DRIVER ALLEN KEY J1 J2	1/1

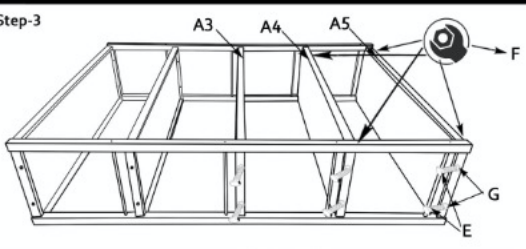
Step-1



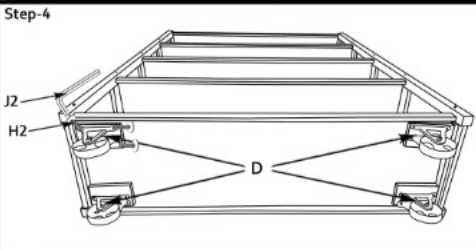
Step-2 Notice




Step-3



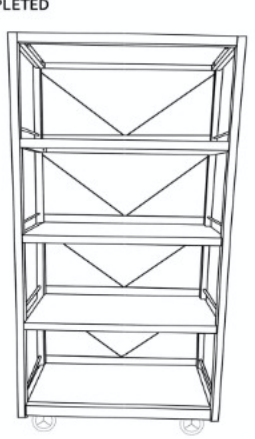
Step-4



Step-5



COMPLETED



MADE IN INDIA