

CVFNR652

A x 1



B x 2



C x 1



D x 2



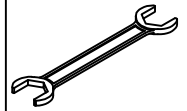
E x 4



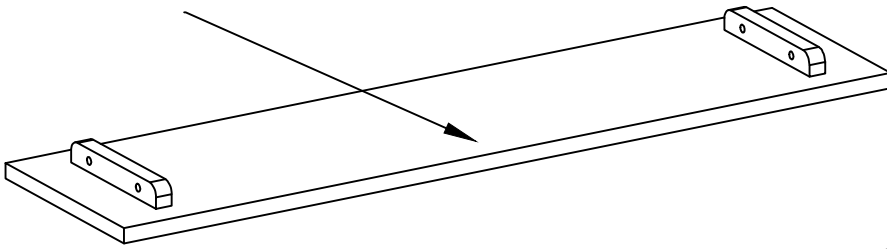
F x 4



G x 1



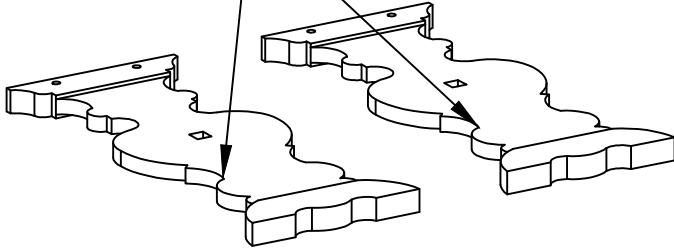
A x 1



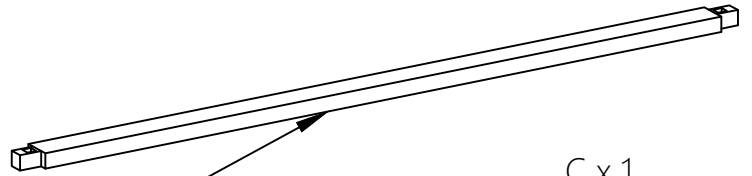
D x 2



B x 2

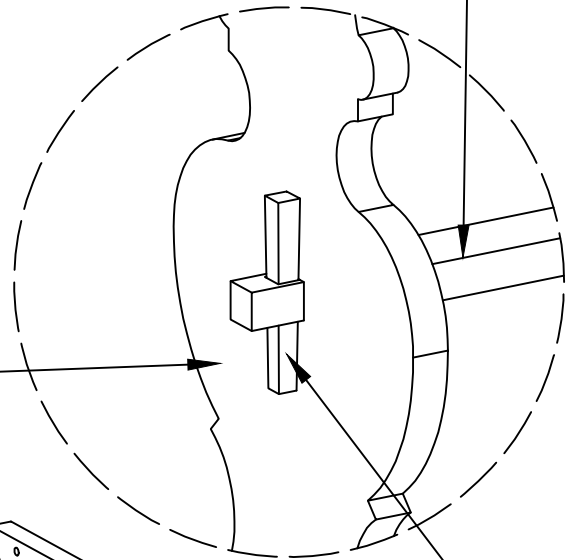


C x 1



C x 1

B x 2



D x 2

