











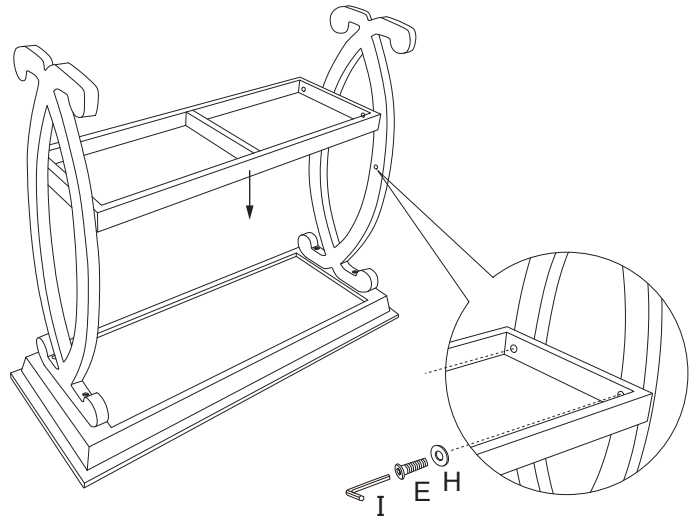
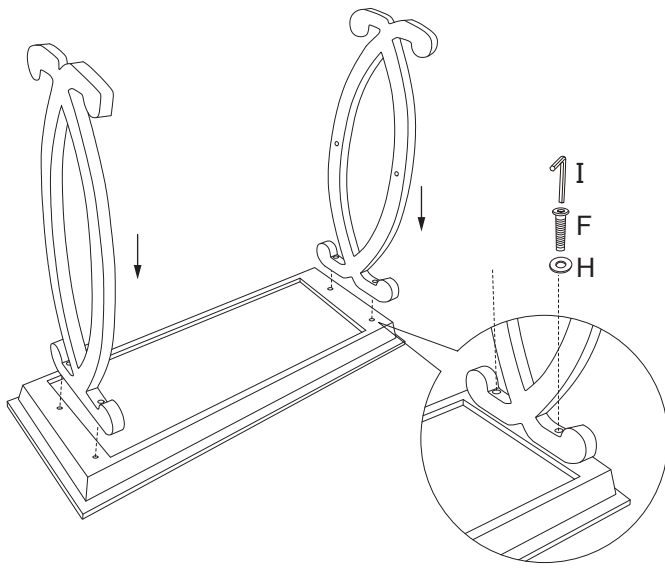
Assembly Instruction

ITEM#CVFZR1538

PARTS LIST						HARDWARE LIST					
NO.	DESCRIPTION		QTY	NO.	DESCRIPTION		QTY	NO.	DESCRIPTION		QTY
A	table tray		1	C	shelf		1	E	short bolt		4
								F	Middle bolt		4
								G	long bolt		4
B	leg		2	D	Bottom shelf		1	H	washer		12
								I	allen washer		1
								J	foot pad		4

Step 1

Step 2



Step 3

Completion

