

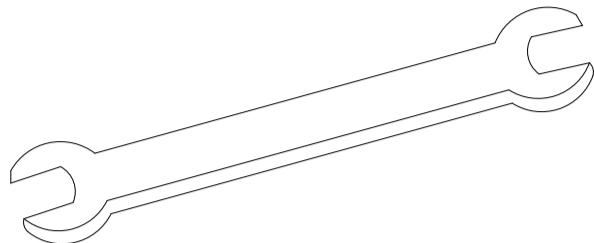
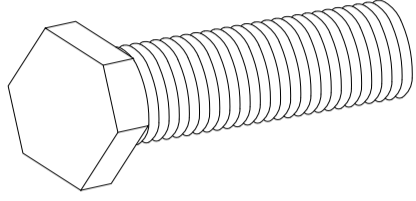
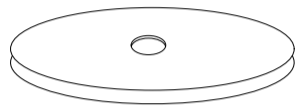
ASSEMBLY INSTRUCTIONS

CVFNR796

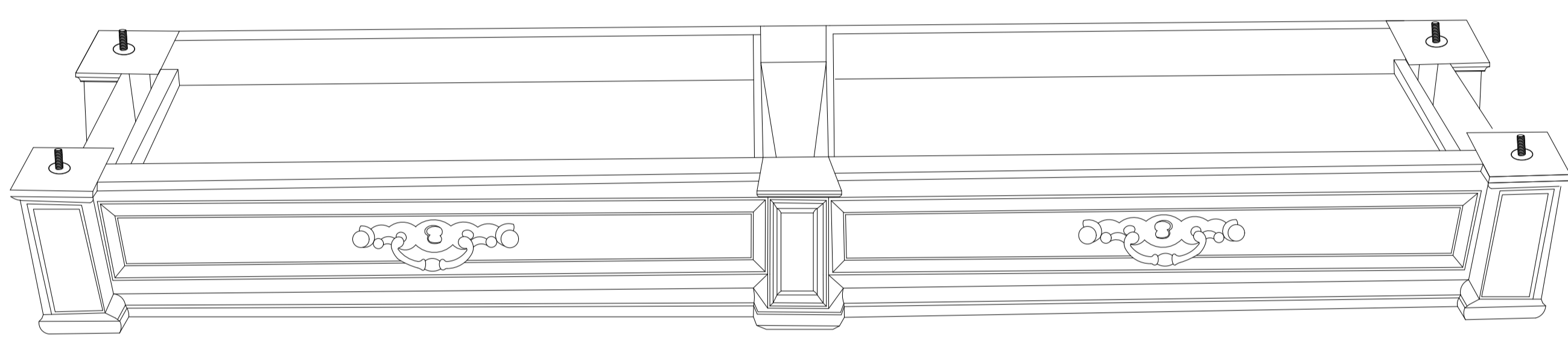
PARTS

| S.NO. | DESCRIPTION | QTY. |
|----------|---|-------|
| P |  TOP | 1 Pcs |
| Q |  LEGS R1,R2,R3,R4, R5,R6 | 6 Pcs |
| S |  BOTTOM | 1 Pcs |

HARDWARE

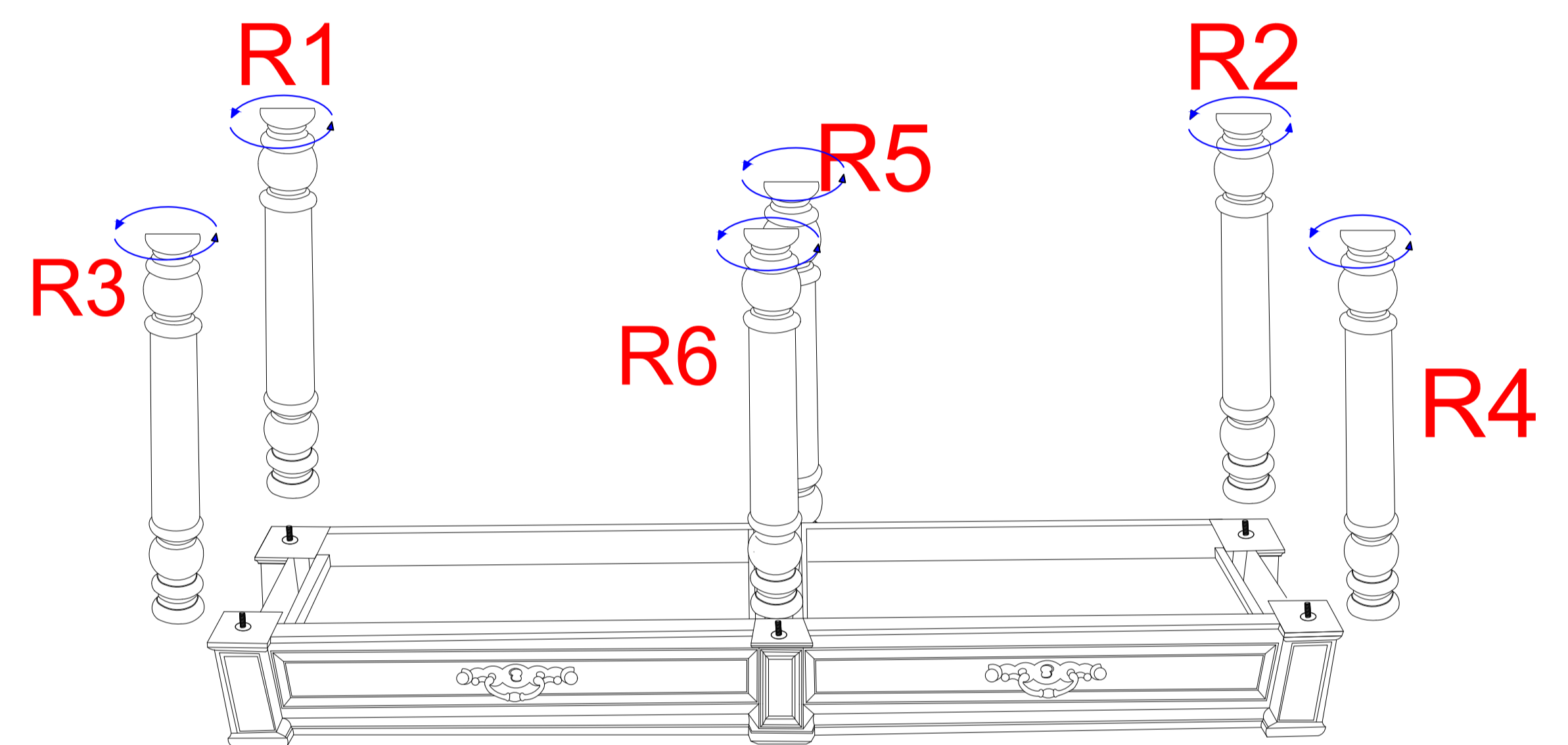
| S.NO. | DESCRIPTION | QTY. |
|----------|---|-------|
| A |  SPANNER | 1Pc |
| B |  NUT | 6 Pcs |
| C |  WASHER | 6 Pcs |

STEP-1



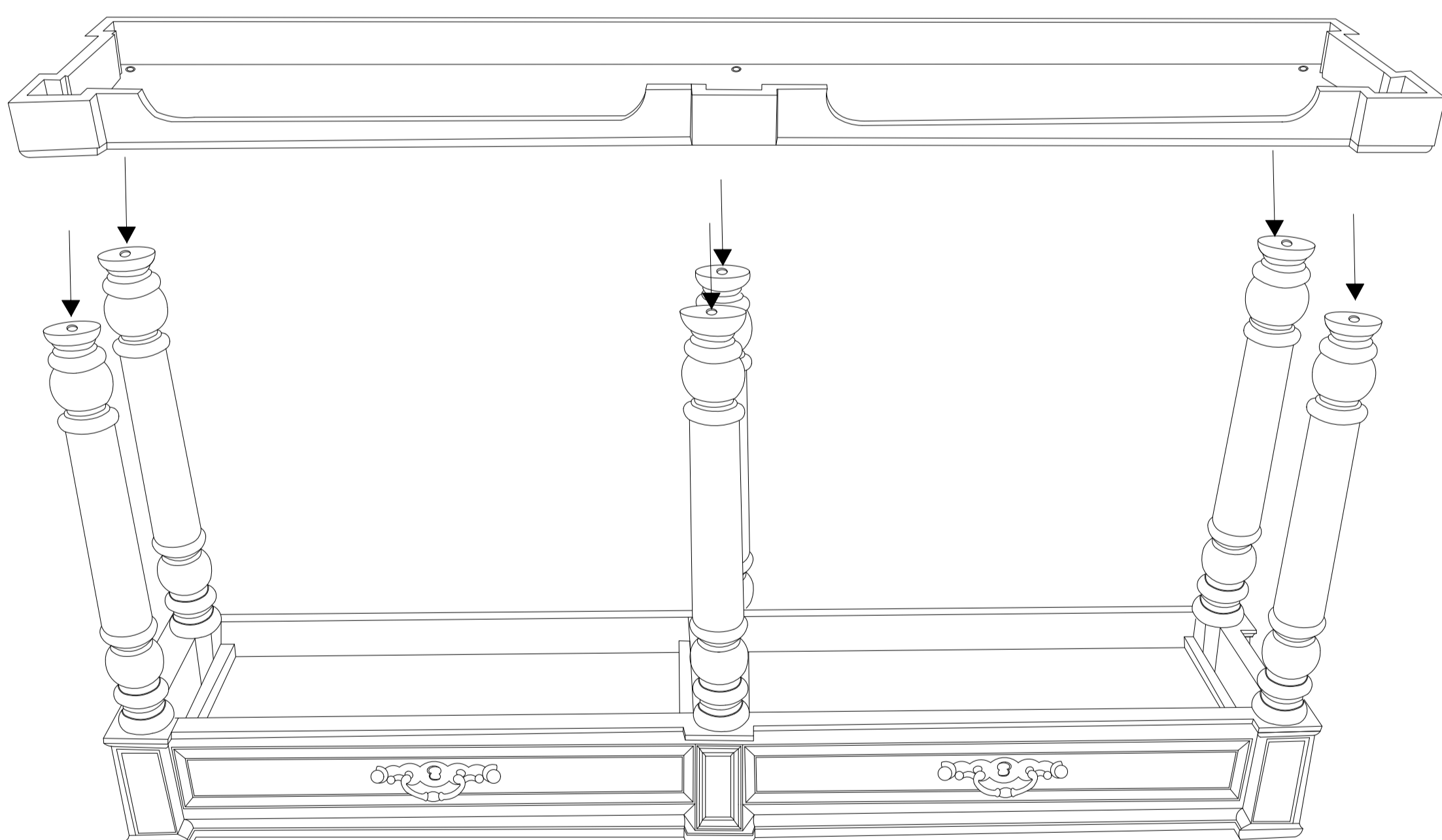
P

STEP-2



P

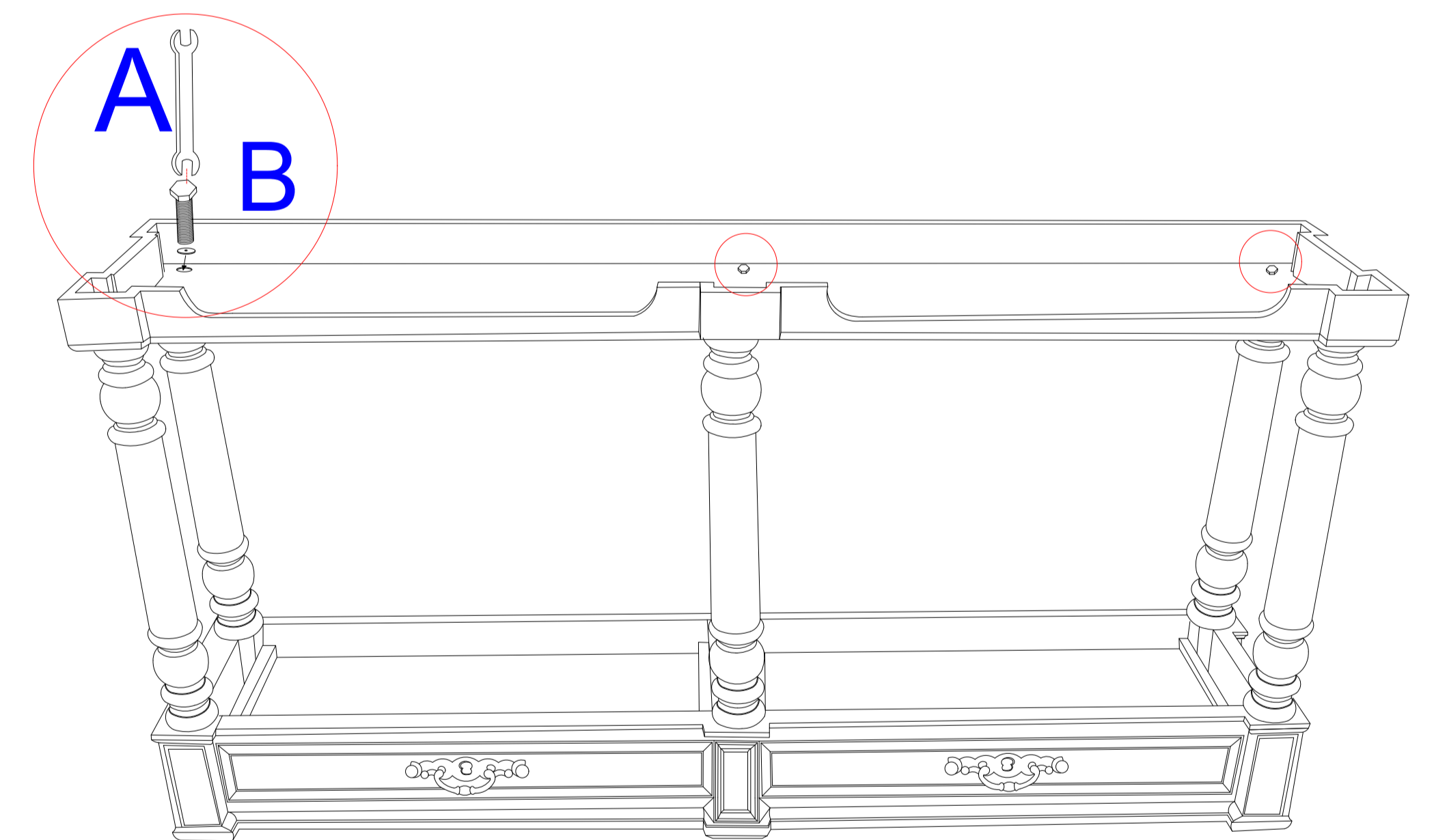
STEP-3



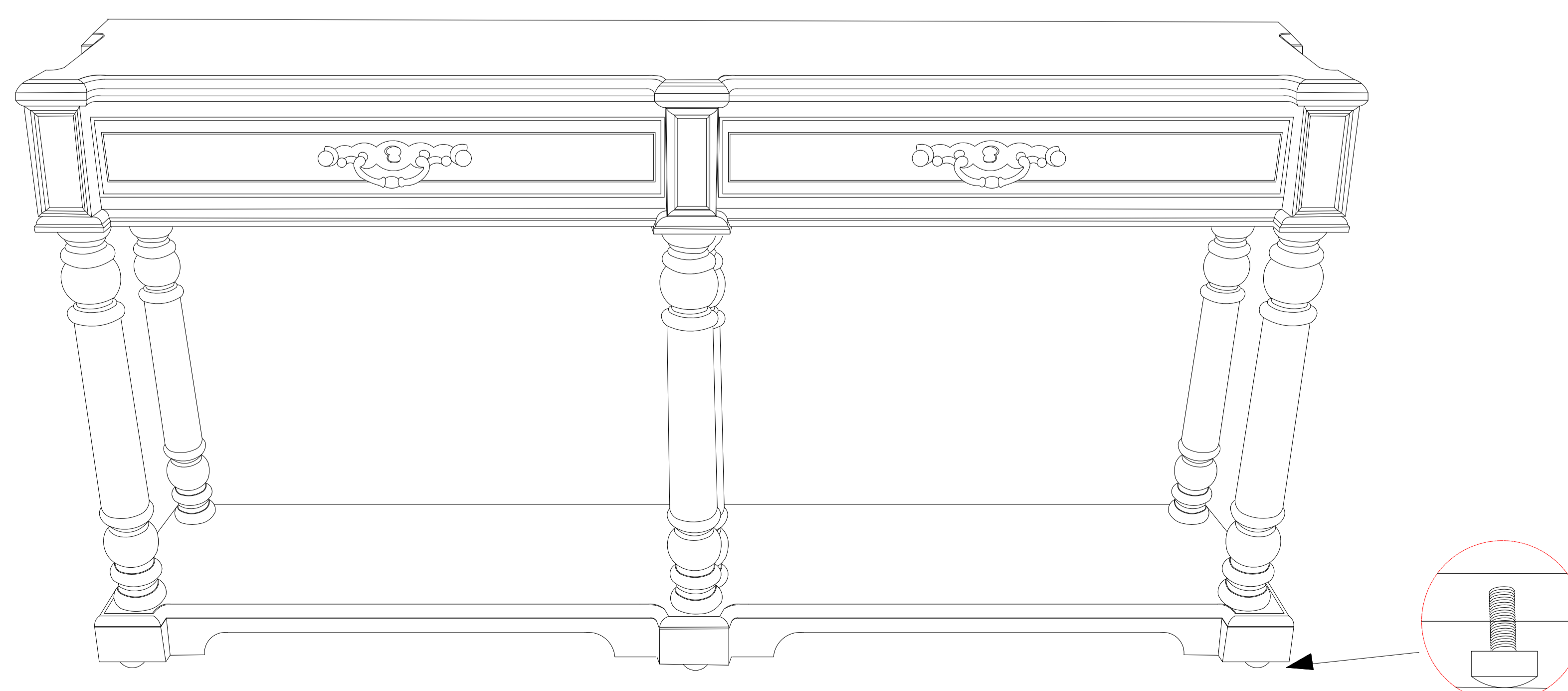
S

P

STEP-4



STEP-5



Note: Levellers are provided at bottom to balance the product on uneven surface.