

# ASSEMBLY INSTRUCTIONS

## ITEM #CVAVP996

READ AND SAVE THESE INSTRUCTIONS

READ INSTRUCTIONS ALL THE WAY THROUGH PRIOR

TO ASSEMBLY

THIS FIXTURE SHOULD TAKE APPROXIMATELY 15

MINUTES TO ASSEMBLY

MAKE SURE ALL PARTS ARE FIRMLY TIGHTENED

**TOOLS:** YOU WILL NEED THE FOLLOWING TOOLS OR

EQUIPMENT: LADDER, SCREWDRIVER, ADJUSTABLE WRENCH

WIRE CUTTERS

### UNPACK THE FIXTURE

YOU SHOULD HAVE THE FOLLOWING:

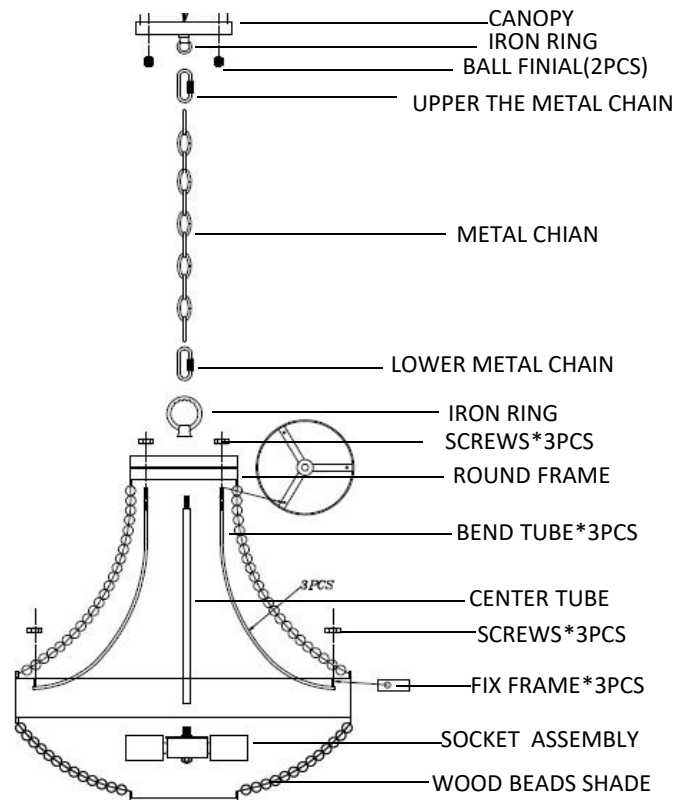
CANOPY WITH SWIVEL, WOOD BEADS SHADE, SOCKET ASSEMBLY

3PCS BEND TUBES, 1PC CENTER TUBE,

TO PROTECT THE FINISH, PLACE ALL THE PARTS ON A SOFT SURFACE.

MOUNTING HARDWARE PACKAGE:

SOME SCREWS IN A RED BAG. WIRE CONNECTORS, METAL CHAIN



### FIXTURE ASSEMBLY

1. REMOVE MOUNTING PLATE FROM TOP OF THE CANOPY BY UNSCREWING (2) BALL FINIALS

2. SECURE WITH MOUNTING BALL HAND TIGHTEN SNUG

3. PLEASE INSERT THE 3PCS BEND TUBES INTO THE ROUND FRAME AND THEN TIGHTEN THE BEND TUBES BY SCREWS

4. ADJUST THE 3PCS BEND TUBES DIRECTED AT THE 3PCS FIX FRAME AND THEN TIGHTEN BY SCREWS

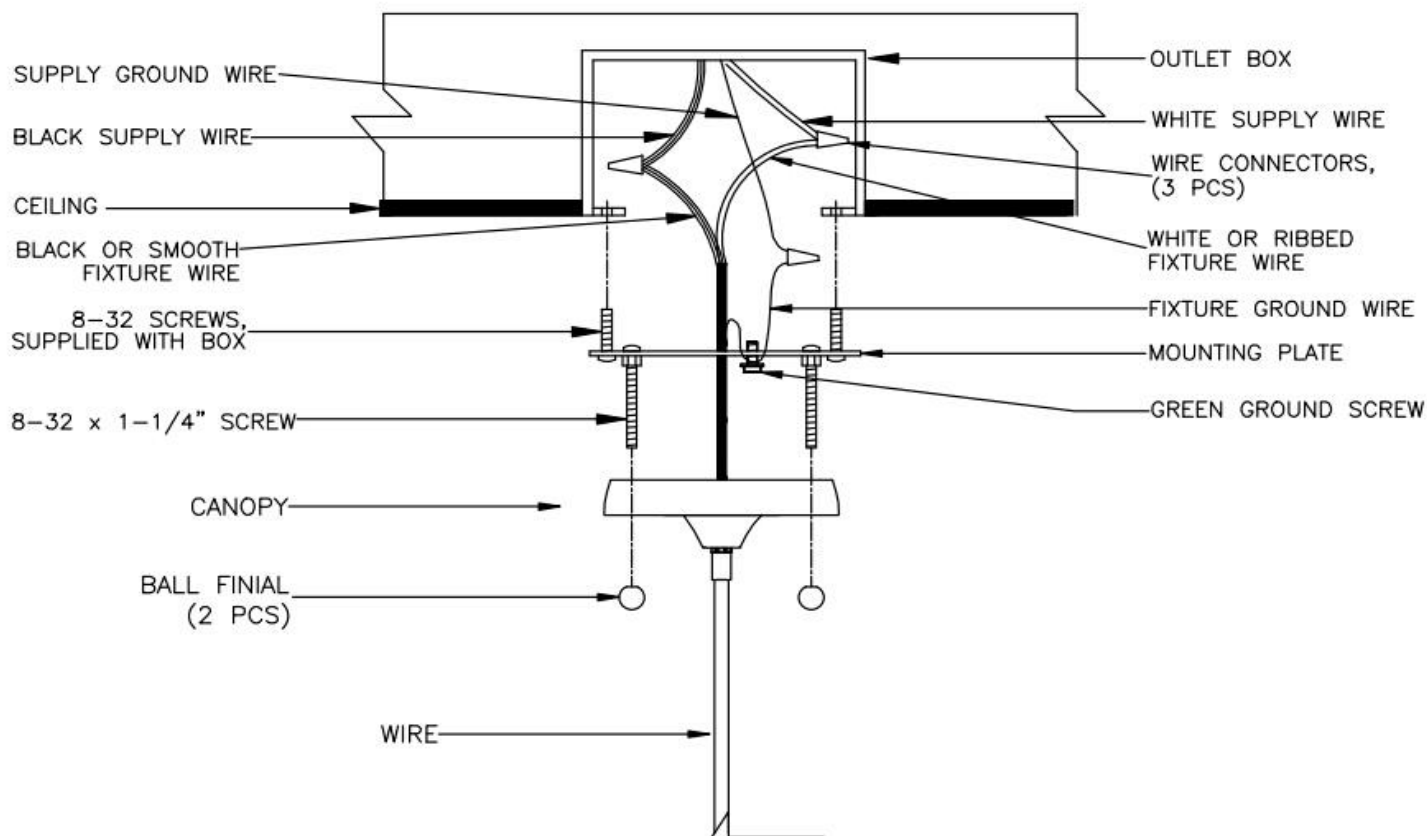
5. INSERT THE CENTER TUBE INTO THE ROUND FRAME AND THEN FASTEN THE CENTER TUBE BY THE IRON RING

6. FASTEN THE SOCKET ASSEMBLY INTO CENTER TUBE

7. SLIDE UPPER THE METAL CHAIN INTO THE IRON RING OF CANOPY AND SLIDE LOWER METAL CHAIN INTO THE IRON RING OF WOOD BEADS SHADE (YOU CAN ADJUST THE LENGTH OF METAL CHAIN BY YOURSELF)

**\*\*\*STOP\*\*\* COMPLETE INSTALLATION INSTRUCTIONS ON THE NEXT PAGE BEFORE PROCEEDING FINAL ASSEMBLY**

RESTORE POWER, YOUR NEW FIXTURE IS NOW READY FOR USE



## INSTALLATION INSTRUCTIONS

### READ AND SAVE THESE INSTRUCTIONS

#### **CAUTION**

TO AVOID POSSIBLE ELECTRIC SHOCK, MAKE SURE THE ELECTRICITY IS SHUT OFF AT THE MAIN PANEL. IF YOU ARE REPLACING AN EXISTING FIXTURE, FIRSTLY, TURN THE FIXTURE OFF. NEXT, TURN THE WALL SWITCH OFF. FINALLY, GO TO THE MAIN FUSE OR BREAKER BOX IN YOUR HOME. TURN THE FUSE OR BREAKER TO THE OFF POSITION. SOME TYPES OF FUSES MUST BE UNSCREWED TO SHUT OFF THE POWER.

\* ALL WIRING MUST BE DONE IN ACCORDANCE WITH NATIONAL AND LOCAL ELECTRIC CODES.

\*\* IF YOU ARE NOT FAMILIAR WITH WIRING, YOU SHOULD USE A QUALIFIED ELECTRICIAN.

\*\*\* THIS FIXTURE IS INTENDED TO BE MOUNTED TO A UL LISTED OUTLET BOX CAPABLE OF SUPPORTING THE FIXTURE.

#### **COMPLETE FIXTURE ASSEMBLY INSTRUCTIONS FIRST (SEE PREVIOUS).**

1. ATTACH THE MOUNTING PLATE TO THE CEILING OUTLET BOX USING THE TWO SCREWS PROVIDED WITH THE OUTLET BOX. (NOTE: IF THE SCREWS WITH THE OUTLET BOX ARE TOO SHORT, USE THE (2) 8-32 x 1-1/4" SCREWS PROVIDED IN THE MOUNTING HARDWARE PACKAGE).

2. CONNECT THE WHITE OR RIBBED FIXTURE WIRE TO THE WHITE SUPPLY WIRE IN THE OUTLET BOX USING THE TWIST-ON WIRE CONNECTORS PROVIDED. CONNECT THE BLACK OR SMOOTH FIXTURE WIRE TO THE BLACK SUPPLY WIRE IN THE SAME MANNER. INSTALL THE FIXTURE GROUND WIRE UNDER THE GREEN GROUND SCREW ON THE MOUNTING PLATE THEN CONNECT THE FIXTURE GROUND WIRE TO THE SUPPLY GROUND WIRE IN THE OUTLET BOX USING THE TWIST-ON WIRE CONNECTOR PROVIDED.

3. TUCK THE WIRES CAREFULLY INSIDE THE OUTLET BOX. SPREAD THE ELECTRICAL SPLICES SO THAT THE BLACK WIRES ARE ON ONE SIDE OF THE OUTLET BOX AND THE WHITE WIRES ARE ON THE OTHER SIDE.

4. RAISE THE FIXTURE TO THE CEILING AND SECURE IN PLACE WITH (2) BALL FINIALS.

5. SEE PREVIOUS PAGE FOR FINAL ASSEMBLY INSTRUCTIONS.