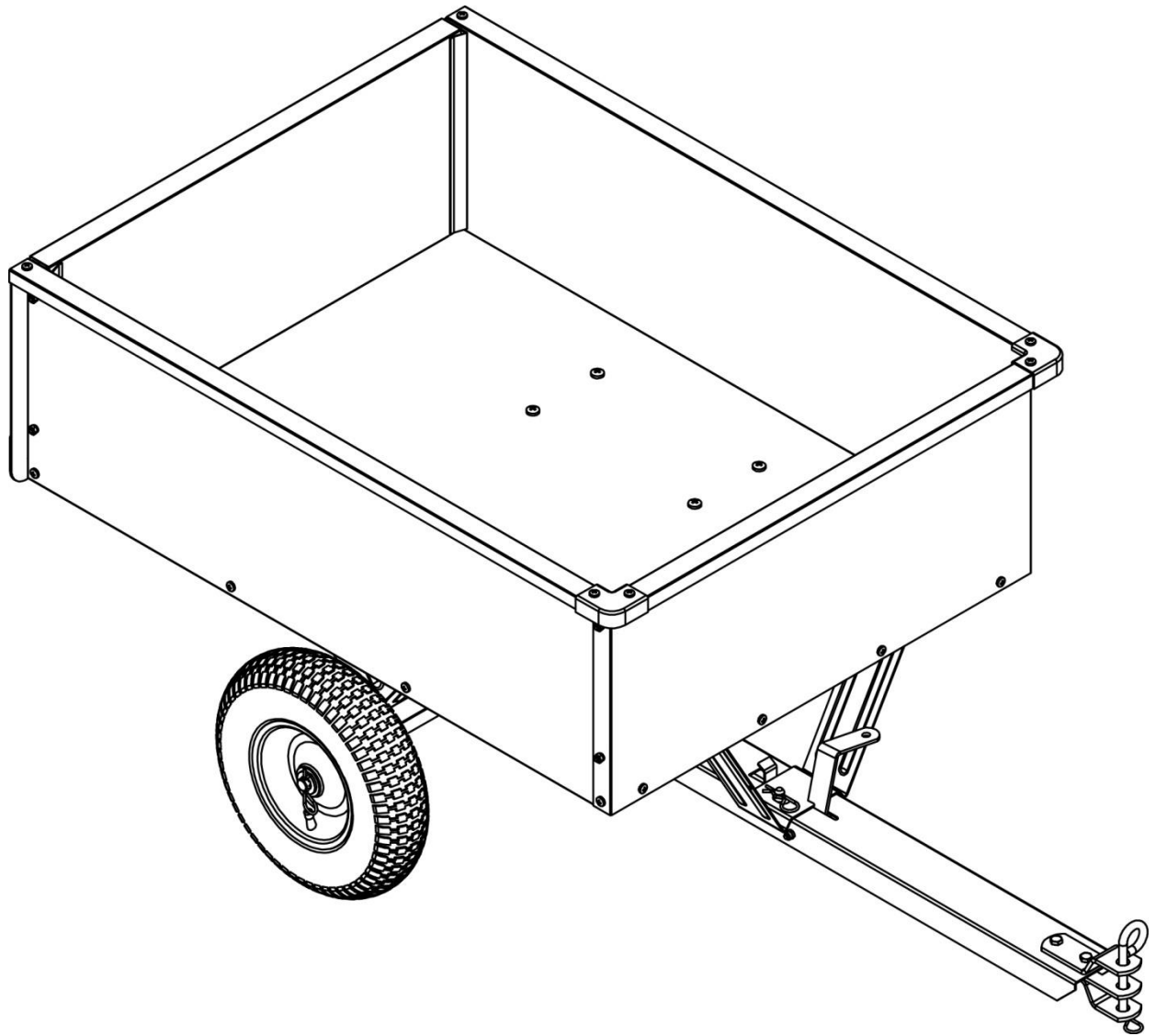


10CU.FT. CAPACITY DUMP CART



Instruction & Assembly

SAVE THESE INSTRUCTIONS FOR FUTURE REFERENCE

Table of Contents

General Warnings and Rules	3
Hazard Signal Word Definition	4
Controls and Features Identification.....	5
Component & Hardware.....	6, 7
Assembly Instructions	8, 9 10, 11, 12, 13
Operation Instructions	13
Maintenance and Storage	14
Specification.....	15
Parts Drawing & Parts List	16, 17
Limited Warranty	18

GENERAL WARNINGS

READ and UNDERSTAND this manual completely before using Utility Dump Cart.

Operator must read and understand all safety and warning information, operating instructions, maintenance and storage instructions before operating this equipment. Failure to properly operate and maintain the utility dump cart could result in serious injury to the operator or bystanders.

Operation Warnings

- Do not at any time carry passengers sit or stand on the cart.
- Do not allow children to play on, stand upon or climb in the cart.
- Always inspect the cart before using to assure it is in good working condition.
- Replace or repair damaged or worn parts immediately.
- Always check and tighten hardware and assembled parts before operation.
- Do not exceed equipment maximum load capacity of 400lb.
- Avoid large holes and ditches when transporting loads.
- Be careful when operating on steep grades (hill) the cart may tip over.
- Always operate at reduce speed in rough terrain, along creeks, ditches and on hillsides.
- Do not operate close to creeks, ditches and public highways.
- To avoid personal injury and/or equipment damage **DO NOT EXCEED 10 MPH.**
- Always use caution when loading and unloading the cart.
- Only tow with recommended vehicles (Lawn/Garden Tractors and ATVs).
- Always secure and lock dump cart to the vehicle hitch before operating.

Crush and Cut Hazards

- Always keep hands and feet clear from moving parts while operating the equipment.
- Always clear and keep work area clean when operating.
- Always wear safety gear, eye protection, gloves and work boots when operating the dump cart.

WARNING

The warnings, cautions, and instructions outlined in this instruction manual cannot cover all possible conditions or situations that may occur. It must be understood by the operator that common sense and caution are factors which cannot be built into this product and must be supplied by the operator.






PROP 65 WARNING

This product can expose you to chemicals including lead and lead compounds which are known to the State of California to cause cancer and birth defects or other reproductive harm. For more information, go to www.P65Warnings.ca.gov

Assembly Is Required

This product requires assembly before use. See "Assembly" section for instructions. Because of the weight and/or size of the utility dump cart, it is recommended that another adult be present to assist with the assembly. **INSPECT ALL COMPONENTS** closely upon receipt to make sure no components are missing or damaged.

Hazard Signal Word Definitions

	<p>This is the safety alert symbol. It is used to alert you to potential personal injury hazards. Obey all safety messages that follow this symbol to avoid possible injury or death.</p>
	<p>DANGER indicates an imminently hazardous situation which, if not avoided, will result in death or serious injury.</p>
	<p>WARNING indicates a potentially hazardous situation which, if not avoided, could result in death or serious injury.</p>
	<p>CAUTION indicates a potentially hazardous situation which, if not avoided, may result in minor or moderate injury.</p>
	<p>CAUTION used without the safety alert symbol indicates a potentially hazardous situation which, if not avoided, may result in property damage.</p>

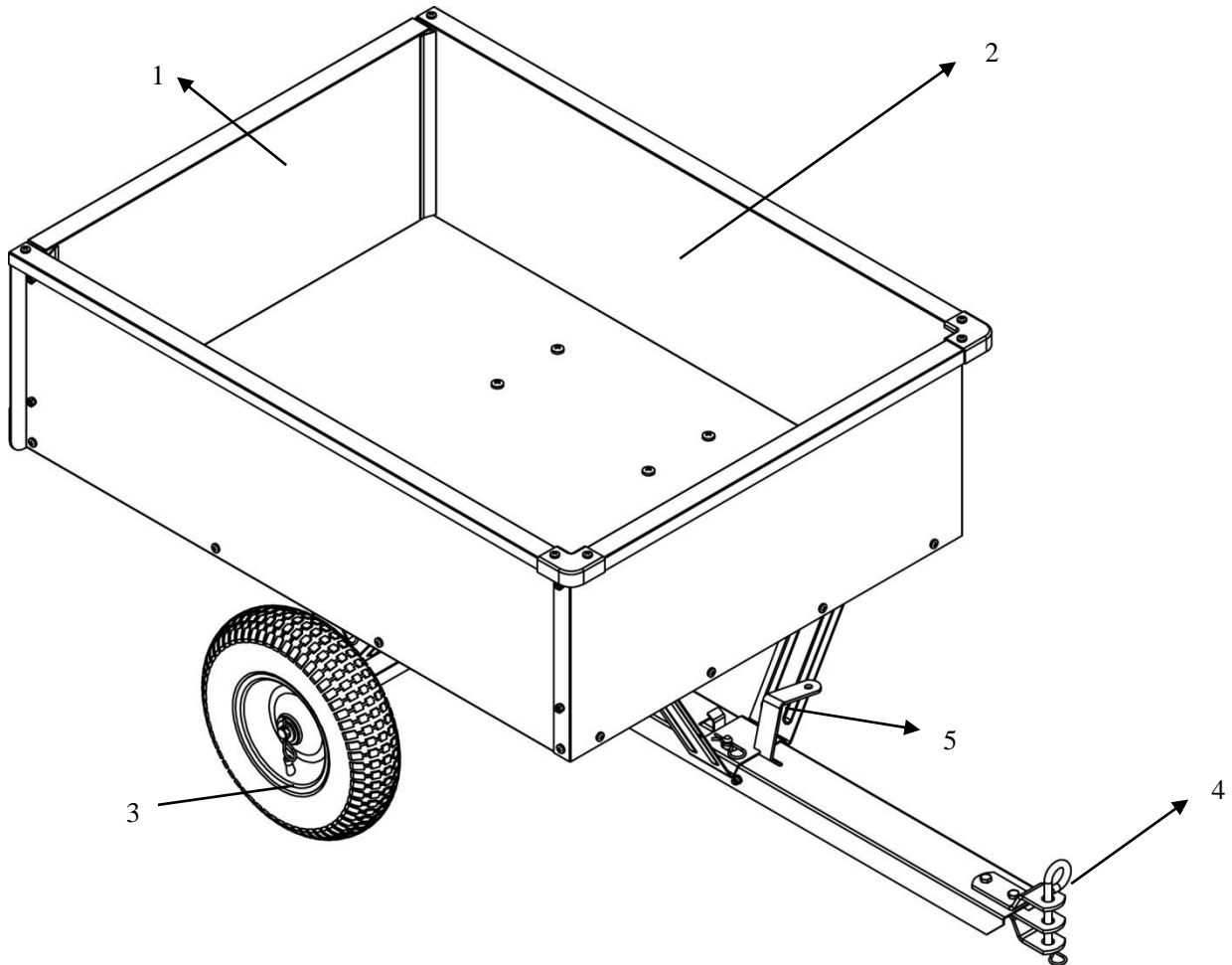
ABOUT YOUR UTILITY DUMP CART

This utility dump cart has a rugged steel construction and is designed to carry a wide range of materials. The dump cart will easily haul up to 400lbs of tools, firewood, animal feed, trash, landscaping materials, cement or anything else that needs to be moved. Easy to use removable tailgate makes loading and un-loading fast and convenient. Never exceed the rated load capacity of 400lbs when operating the utility dump cart.

Technical specifications on the utility dump cart are provided in the “Specifications” section of this manual.

Controls and Features Identification

Read this owner's manual before operating the equipment. Familiarize yourself with the location and function of the controls and features. Save this manual for future reference.



- 1) **Removable Tailgate** – Push up to remove for loading or unloading.
- 2) **Utility Cart Box** – Do not exceed rated load capacity 400lb.
- 3) **Tires / Wheel** – Do not exceed the recommended rate 25 PSI.
- 4) **Hitch** – Pin-type design use only with approve vehicles.
- 5) **Release Pedal** – Release the cart bed.



CAUTION

Read and follow all instructions for assembly and operation. Failure to properly assemble this equipment could result in serious injury to the user or bystanders, or cause equipment damage.

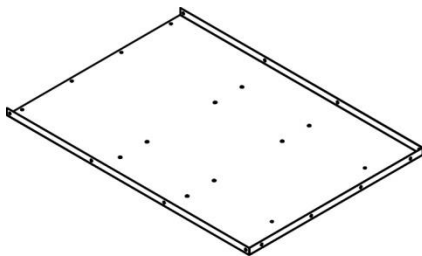
UTILITY DUMP CART COMPONENT PARTS AND ASSEMBLY

Take all parts out of the shipping crate and inspect components to ensure there are no missing pieces before starting to assemble the utility dump cart follow steps 1 through 11.

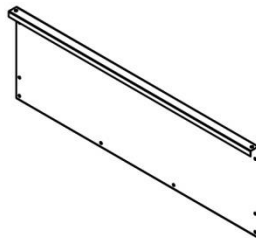
TOOLS REQUIRED

- Pliers
- Screw Driver
- 10mm & 14mm Wrench

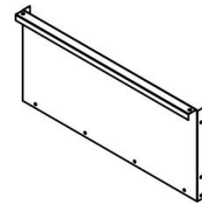
Component Parts



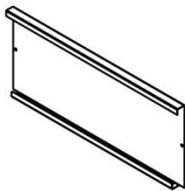
(#1) Bottom Panel
1pc



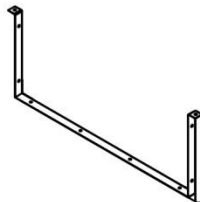
(#2) Side Panel
2pcs



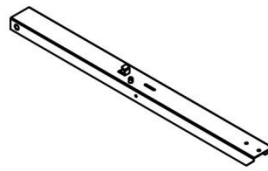
(#28) Front Panel
1pc



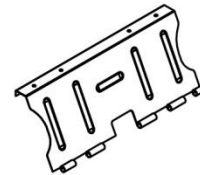
(#9) Rear Panel
1pc



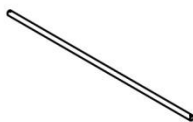
(#7) U-Frame
1pc



(#19) Hitch Tongue
1pc



(#10) Axle Support
2pcs



(#17) Wheel Axle
1pc



(#15) Wheel
2pcs



(#27) Tongue Support
1pc



(#6) Rear Card
Slot
2pcs



(#21) Release Pedal
1pc



(#23) Hitch Pin
Bracket
2pcs

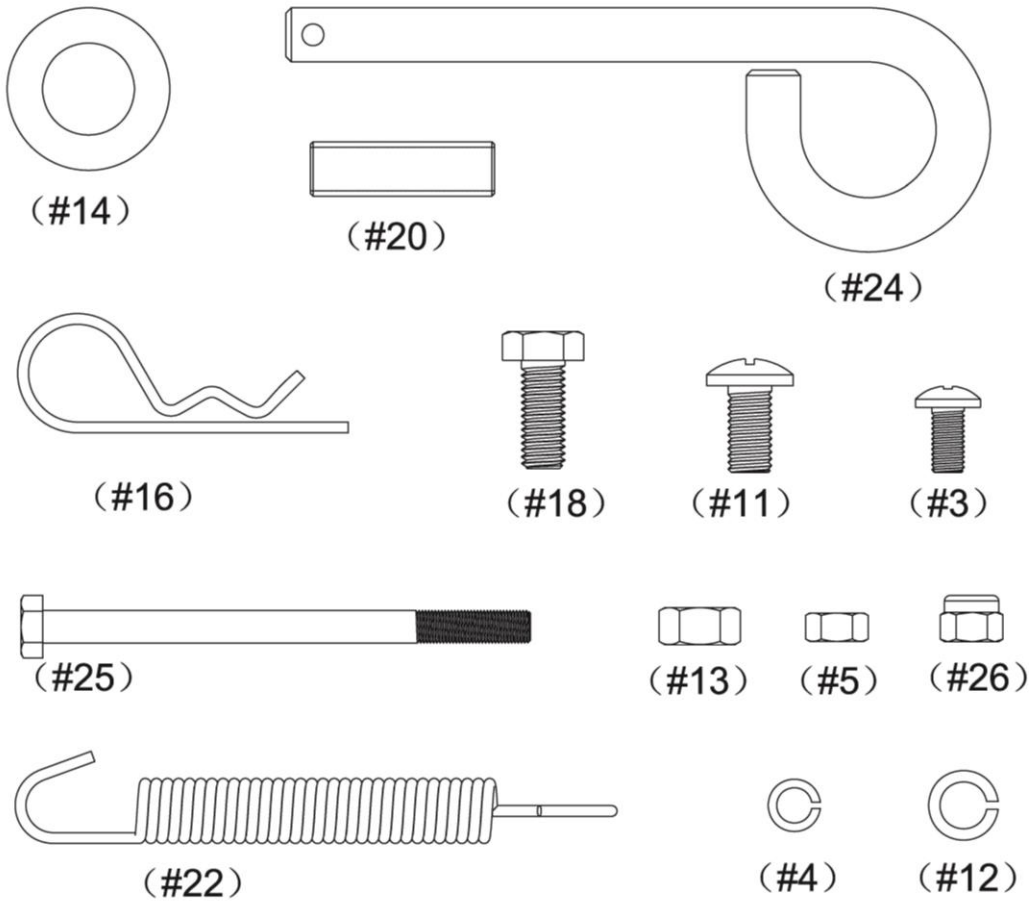


(#29) Corner Plate
2pcs



(#8) Connecting
Plate
1pc

Component Parts

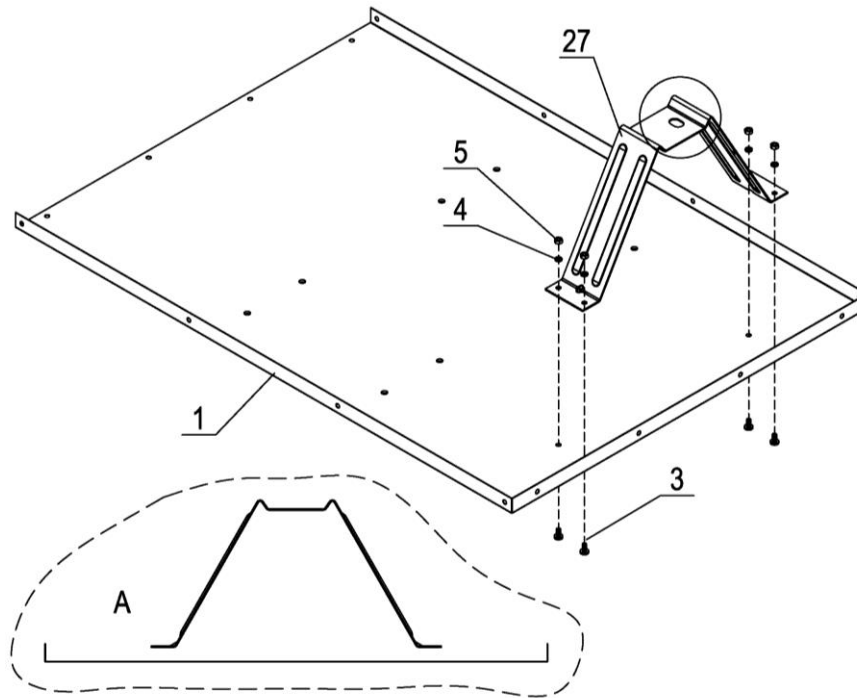


Ref#	Description	Qty
3	Screw M6x15	34
4	Lock Washer Ø6	34
5	Hex Nut M6	34
11	Screw M8x20	8
12	Lock Washer Ø8	10
13	Hex Nut M8	10
14	Flat Washer Ø16	4
16	R Pin Ø3	4
18	Hex Bolt M8x30	2
20	Spacer	2
22	Latch Spring	1
24	Hitch Pin	1
25	Hex Bolt M6x90	1
26	Lock Nut M6	1

Assembly Instructions

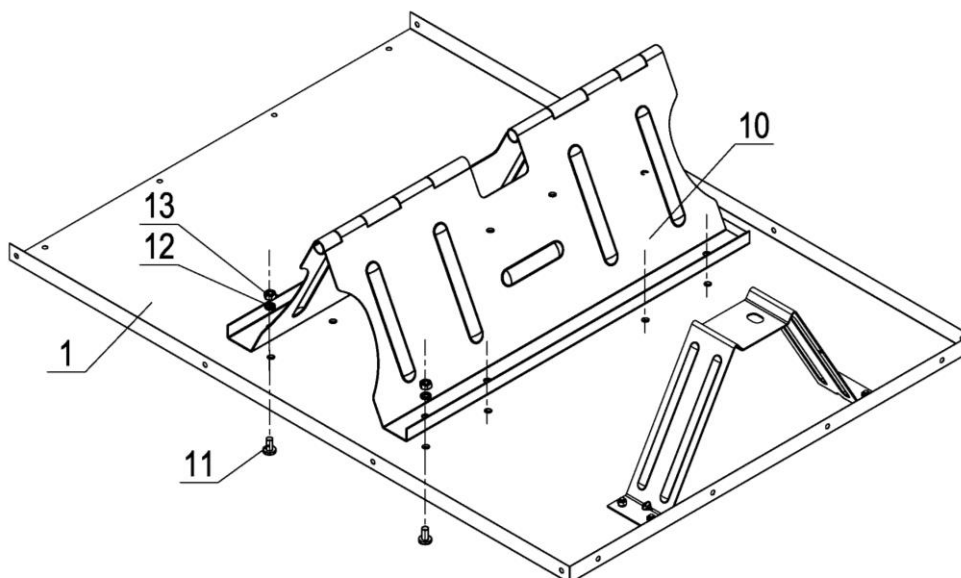
STEP 1: Attach Tongue Support

1. Attach the tongue support (#27) to the back of bottom panel (#1) using four sets of M6x15 screws (#3), $\varnothing 6$ lock washers (#4) and M6 hex nuts (#5).
Note: The hole on tongue support (#27) should be on right side.



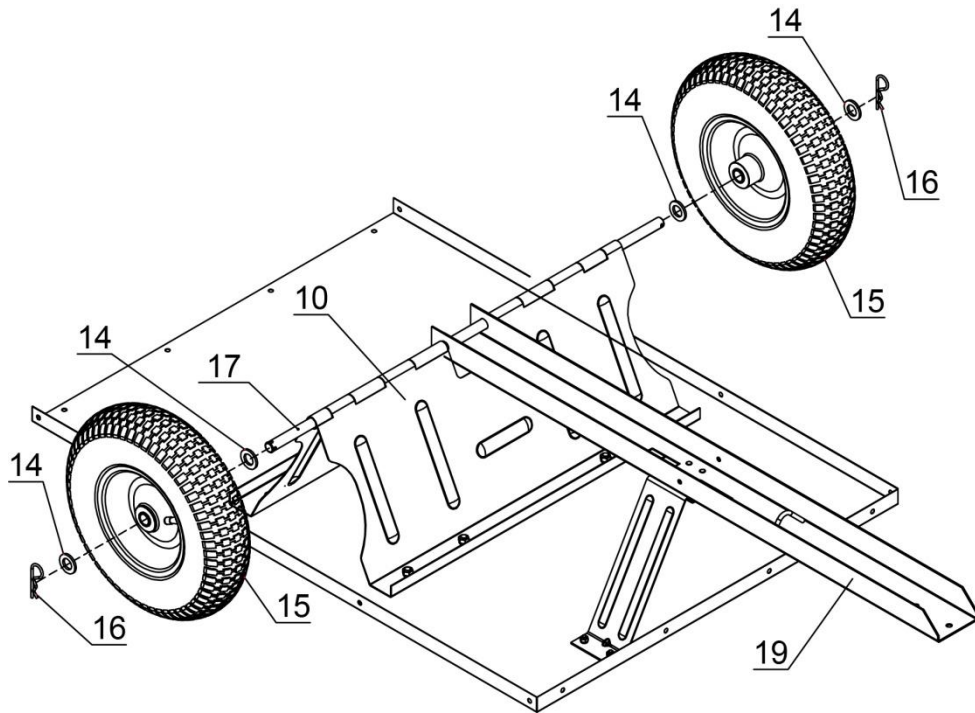
STEP 2: Attach the Axle Support

1. Put together the two axle supports (#10) and attached them to the back of bottom panel (#1) using eight sets of M8x20 screws (#11), $\varnothing 8$ lock washers (#12) and M8 hex nuts (#13).



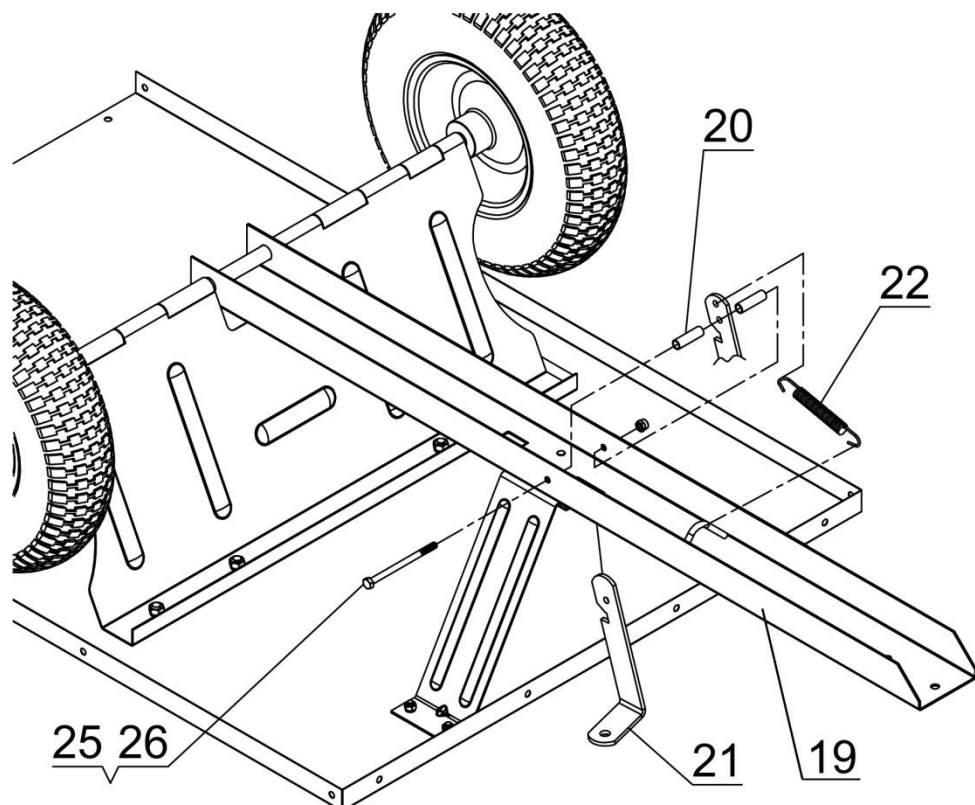
STEP 3: Attach the Wheels

1. Position the hitch tongue (#19) in the axle support (#10). Then slide the wheel axle (#17) through the axle support (10) and hitch tongue (#19).
2. Slide one Ø16 flat washer (#14) over both ends of the wheel axle (#17), then the wheels (#15), then secure with a second Ø16 flat washer (#14) and Ø3 R pin (#16).



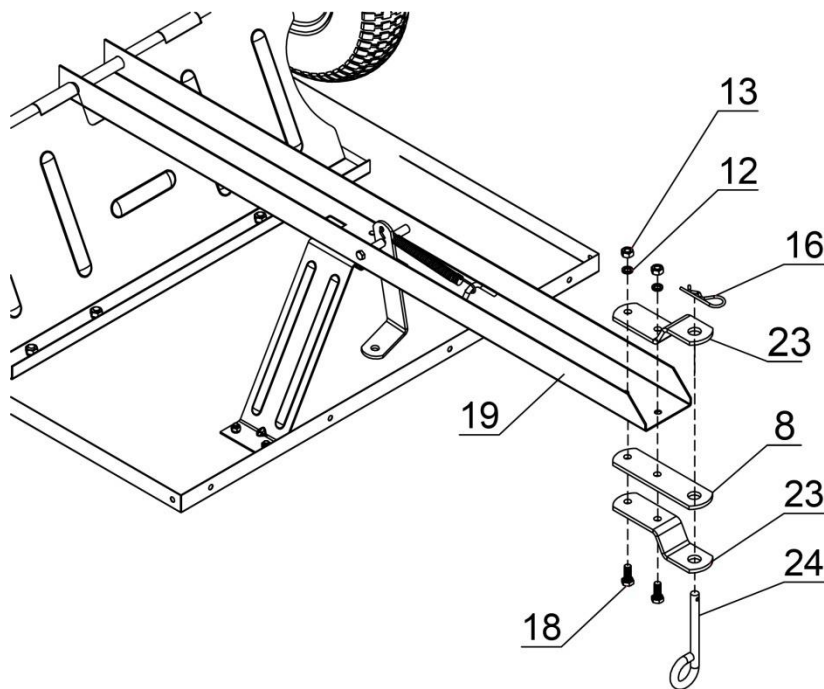
STEP 4: Attach Release Pedal

1. Insert the release pedal (#21) into the hitch tongue (#19) and secure using M6x90 hex bolt (#25) and M6 hex lock nut (#26). Put the two spacers (#20) on each side of the release pedal (#21).
2. Attach the latch spring (#22) hook on the bottom hole in the release pedal (#21) and attach the other end to the hitch tongue (#19).



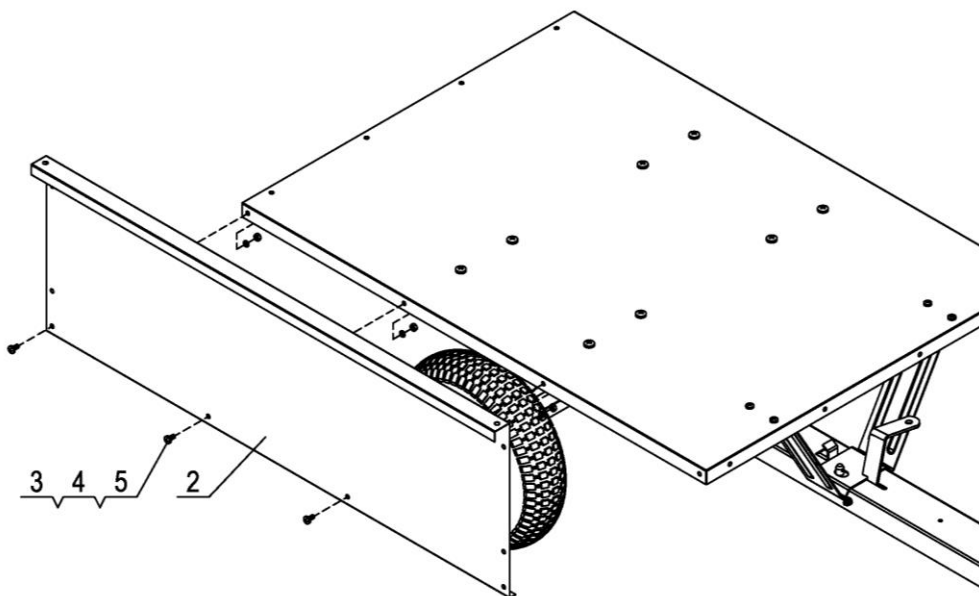
STEP 5: Attach Hitch Pin Bracket

1. Attach two hitch pin bracket (#23) and connecting plate (#8) to the hitch tongue (#19) using two sets of M8x30 hex bolts (#18), Ø8 lock washers (#12) and M8 hex nuts (#13). Insert the hitch pin (#24) through the tongue hole and secure with Ø3 R pin (#16)



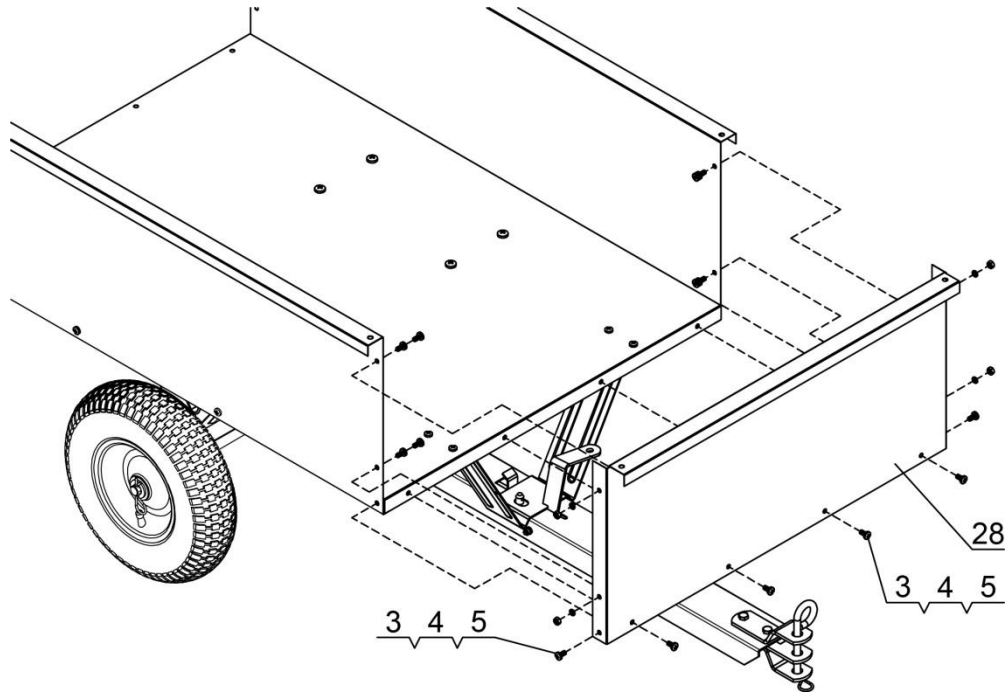
STEP 6: Attach Side Panel

1. Attach the side panels (#2) to the bottom panel using six sets of M6x15 screws (#3), Ø6 lock washers (#4) and M6 hex nuts (#5).



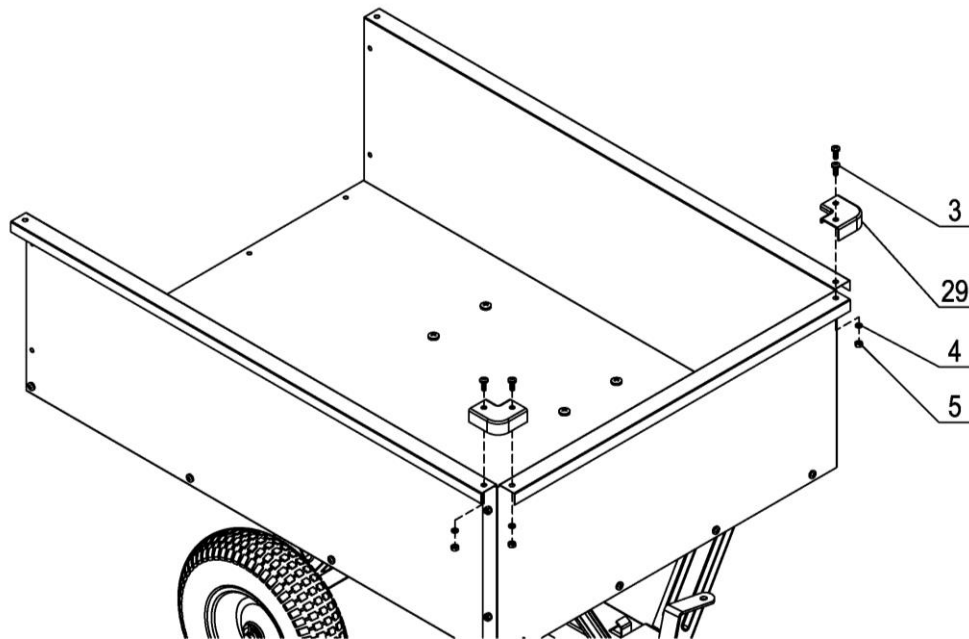
STEP 7: Attach the Front Panel

1. Attach the front panel (#28) to the bottom panel using four sets of M6x15 screws (#3), Ø6 lock washers (#4) and M6 hex nuts (#5).
2. Attach the front panel (#28) to the side panels using six sets of M6x15 screws (#3), Ø6 lock washers (#4) and M6 hex nuts (#5).



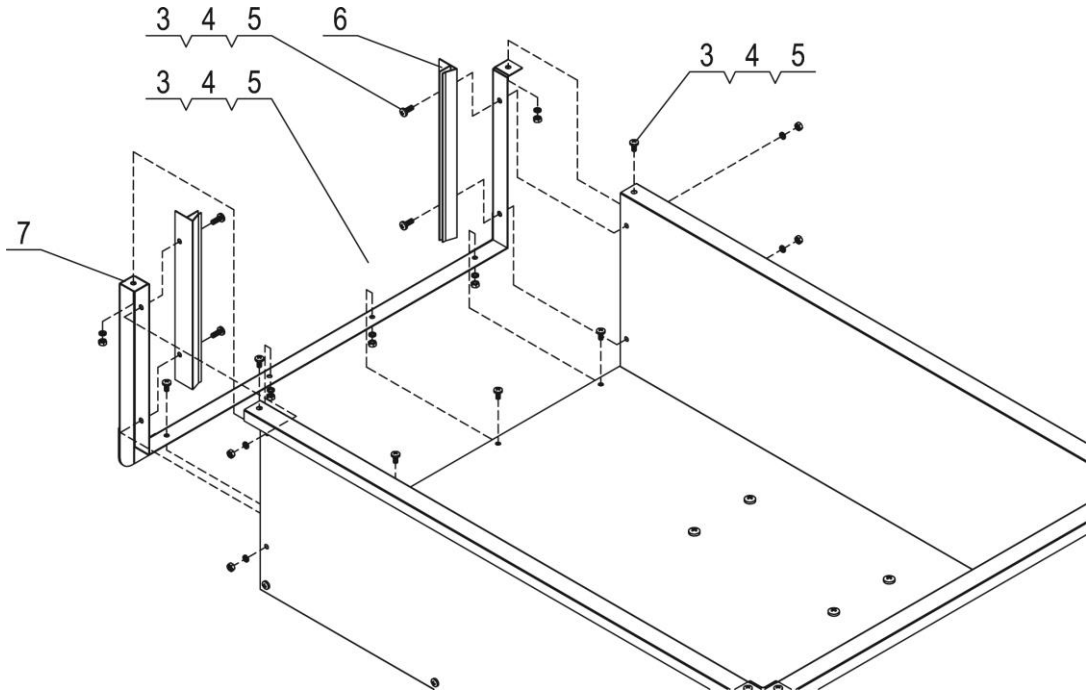
STEP 8: Attach the Corner Plate

1. Attach the two corner plates (#29) to the side panels and front panel using four sets of M6x15 screws (#3), Ø6 lock washers (#4) and M6 hex nuts (#5).



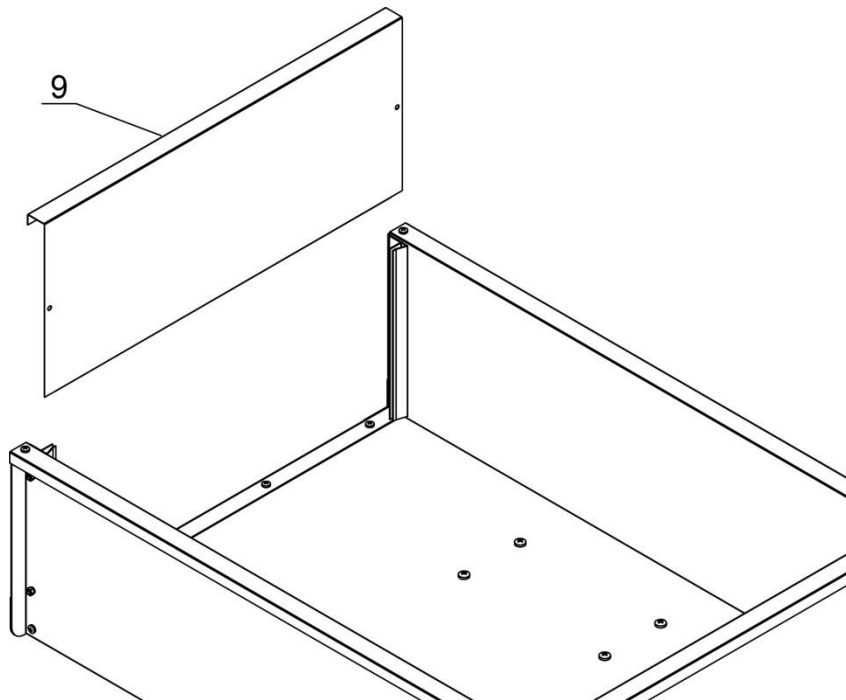
STEP 9: Attach the U-frame

1. Attach the U-frame (#7) to the bottom panel and side panels using six sets of M6x15 screws (#3), Ø6 lock washers (#4) and M6 hex nuts (#5).
2. Attach the two rear card slots (#6) to the U-frame (#7) and both side panels using four sets of M6x15 screws (#3), Ø6 lock washers (#4) and M6 hex nuts (#5).



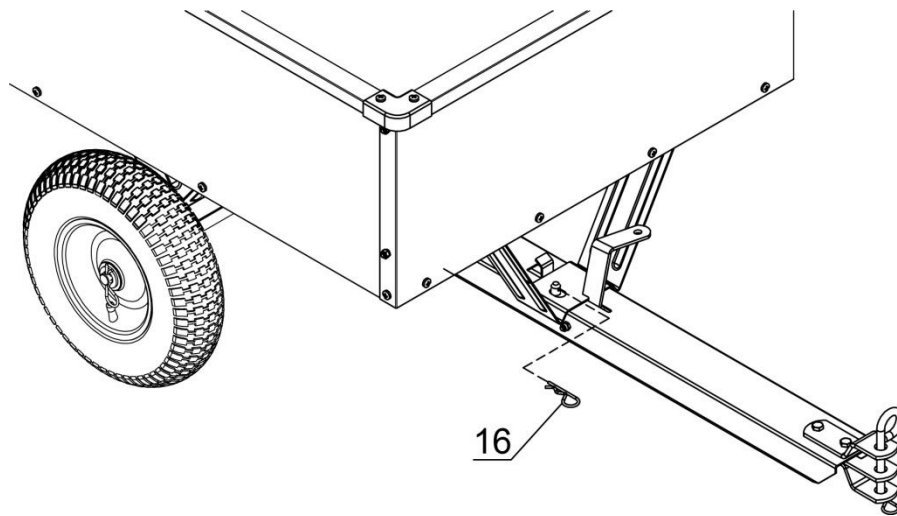
STEP 10: Attach the Rear Panel

1. Slide the rear panel (#9) through the slots on the back side panels.



STEP 11: Attach the Card Slot and Lock Support Tube

1. Insert the Ø3 R Pin (#16) into the safety pin on the hitch tongue.
2. Pull out the Ø3 R Pin (#16) before emptying the bed and then press the release pedal.



Operation Instructions

WARNING

Before using the utility dump cart, review the instructions below and safety information. Failure to follow these instructions may result in property damage or injury to the operator or bystanders.

USING YOUR UTILITY DUMP CART

1. **DO NOT** exceed rated capacity of 400lb (182kg).
2. **ALWAYS** secure and lock the utility cart to the vehicle hitch before operating.
3. **ONLY** use approved vehicles when towing the dump cart (Lawn/Garden Tractors and ATVs)
4. **NEVER** tow the utility dump cart with box raised.
5. **DO NOT** over fill the utility dump cart. Over flow loads can cause the cart and towing vehicle to lose traction and skid out of control.
6. **ONLY** fill the dump cart to a comfortable dumping load. Extremely heavy loads will be difficult to operate and dump.
7. **ALWAYS** use the dump cart for its intended purpose.
8. **ALWAYS** make sure that the tow vehicle and the combined weight of the operator **MUST BE** greater than the load of the cart weight for proper control.
9. **DO NOT** use cart on public highways or roads.
10. **NEVER** exceed 10mph when towing the dump cart.
11. **DO NOT** make sharp turns that may cause the Lawn/Garden Tractor or ATV tires to rub against the utility dump cart.
12. **ALWAYS** slow down before turning.
13. **ALWAYS** use caution when backing the utility cart. To avoid the cart from “jack-knifing” always back up in a straight line.

Maintenance and Storage



WARNING

Improper maintenance and storage of the utility dump cart may void your warranty.

MAINTENANCE

- After each use clean material out of the cart box.
- Rinse/dry inside and outside of the dump cart after each use.
- Before operating make sure the tires have the RECOMMENDED TIRE PRESSURE 25 PSI.
- Regularly grease the axle and the wheel bearing area or when needed.
- Periodically check all fasteners for tightness.
- Annually clean and lightly lubricate parts.
- Use a glossy enamel spray paint to touch up scratched or worn painted metal surfaces.
- Never exceed load capacity rating of 400lb (182kg) it will damage the utility dump cart.

IMPORTANT:

If a part needs replacement, only use parts that meet the manufacturer's specifications. Replacement parts that do not meet specifications may result in a safety hazard or poor operation.

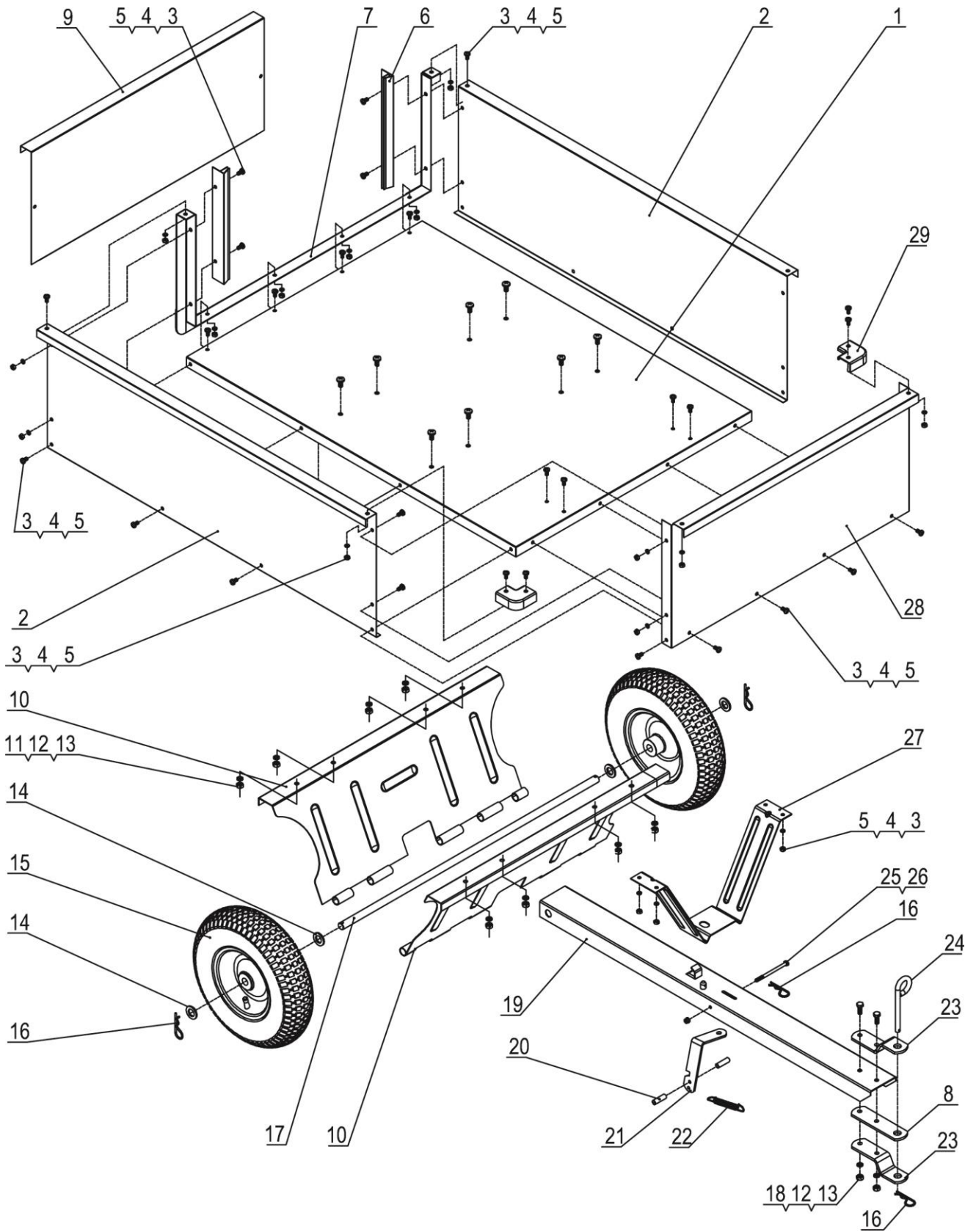
STORAGE

- Never allow material to remain in the utility dump cart for extended periods of time.
- Before storing make sure the cart is clean and dry for years of trouble free service.
- Store indoors or protected area during severe weather and winter months.
- When storing outside always keep the tongue a little higher than the back of the cart to allow the moisture to easily run out the back and will not accumulate in the box.

Specifications

Load Capacity	400lb
Box and Frame Material	Steel
Inside Box Dimensions	38" x 28.15" x 11.8"
Overall Dimensions	58.27" x 31.10" x 26.77"
Axle Dimensions	0.64" x 30.5"
Wheel Size	13" (4.00-6)
Wheel Type	Pneumatic
Hitch Type	Pin Style
Tire Pressure (PSI)	25

Parts Drawing & Parts List



Parts Drawing & Parts List

Ref#	Drawing No.	Description	Qty
1	DC400-00001	Bottom Panel	1
2	DC400-00002	Side Panel	2
3	9199-06015-DX	Screw M6x15	34
4	9306-06000-DX	Lock Washer Ø6	34
5	9201-06000-DX	Hex Nut M6	34
6	DC400-00009	Rear Card Slot	2
7	DC400-20000	U-Frame	1
8	DC400-00010	Connecting Plate	1
9	DC400-00005	Rear Panel	1
10	DC400P-00003	Axle Support	2
11	9199-08020-DX	Screw M8x20	8
12	9306-08000-DX	Lock Washer Ø8	10
13	9201-08000-DX	Hex Nut M8	10
14	9301-16000-DX	Flat Washer Ø16	4
15	DC400-30000	Wheel	2
16	N021-00004	R Pin Ø3	4
17	DC400-00008	Wheel Axle	1
18	9101-08030-DX	Hex Bolt M8x30	2
19	DC400-10000	Hitch Tongue	1
20	N390-00005	Spacer	2
21	N879-00002	Release Pedal	1
22	N390-00003	Latch Spring	1
23	N390-00002	Hitch Pin Bracket	2
24	N180-00013	Hitch Pin	1
25	9101-06090-DX	Hex Bolt M6x90	1
26	9206-06000-DX	Lock Nut M6	1
27	DC400-00007	Tongue Support	1
28	DC400-00004	Front Panel	1
29	DC400-00003	Corner Plate	2

Limited Warranty

Warranty

For one year from the date of purchase YTL International will replace for the original purchaser, or repair the utility dump cart. The warranty will not apply to any unit which was not assembled correctly, misused, overloaded or which has been used or operated contrary to our instructions, or which has been repaired or altered by anyone other than an authorized representative.

Warranty Exclusions

This warranty does not cover cosmetic defects such as paint, decals or wear items such as tires. This warranty will not cover failures or problems due to acts of God, or events or forces beyond the control of the manufacturer.

Normal Wear Exclusion

The utility dump cart needs periodic service to perform well. This warranty does not cover repair when normal use has exhausted the life of a part or the equipment as a whole.

Installation, Use and Maintenance Exclusion

This warranty will not apply to parts and/or labor if the utility dump cart has been misused, neglected, involved in an accident, abused, loaded beyond its limits, modified or assembled incorrectly. Normal maintenance is not covered under this warranty.

Limits of Implied Warranty and Consequential Damage Exclusion

YTL International disclaims any obligation to cover any loss of time, use of this product, freight, or any incidental or consequential claim by anyone from using this utility dump cart. THIS WARRANTY IS IN LIEU OF ALL OTHER WARRANTIES, EXPRESS OR IMPLIED, INCLUDING WARRANTIES OF MERCHANTABILITY OR FITNESS FOR A PARTICULAR.

An exchange unit will be subject to the original warranty. The length of the warranty governing the exchanged unit will have the date as the purchase date of the original unit. This warranty gives you certain legal rights which may change from state to state. Your state may also have other rights you may be entitled to that are not listed within this warranty.

Contact Information

17517 Fabrica Way, Suite H
Cerritos, CA 90703
Phone: (888) 723-6534
Phone: (562) 404-8016
Fax: (562) 404-8013
Email: parts@ytlinternational.com