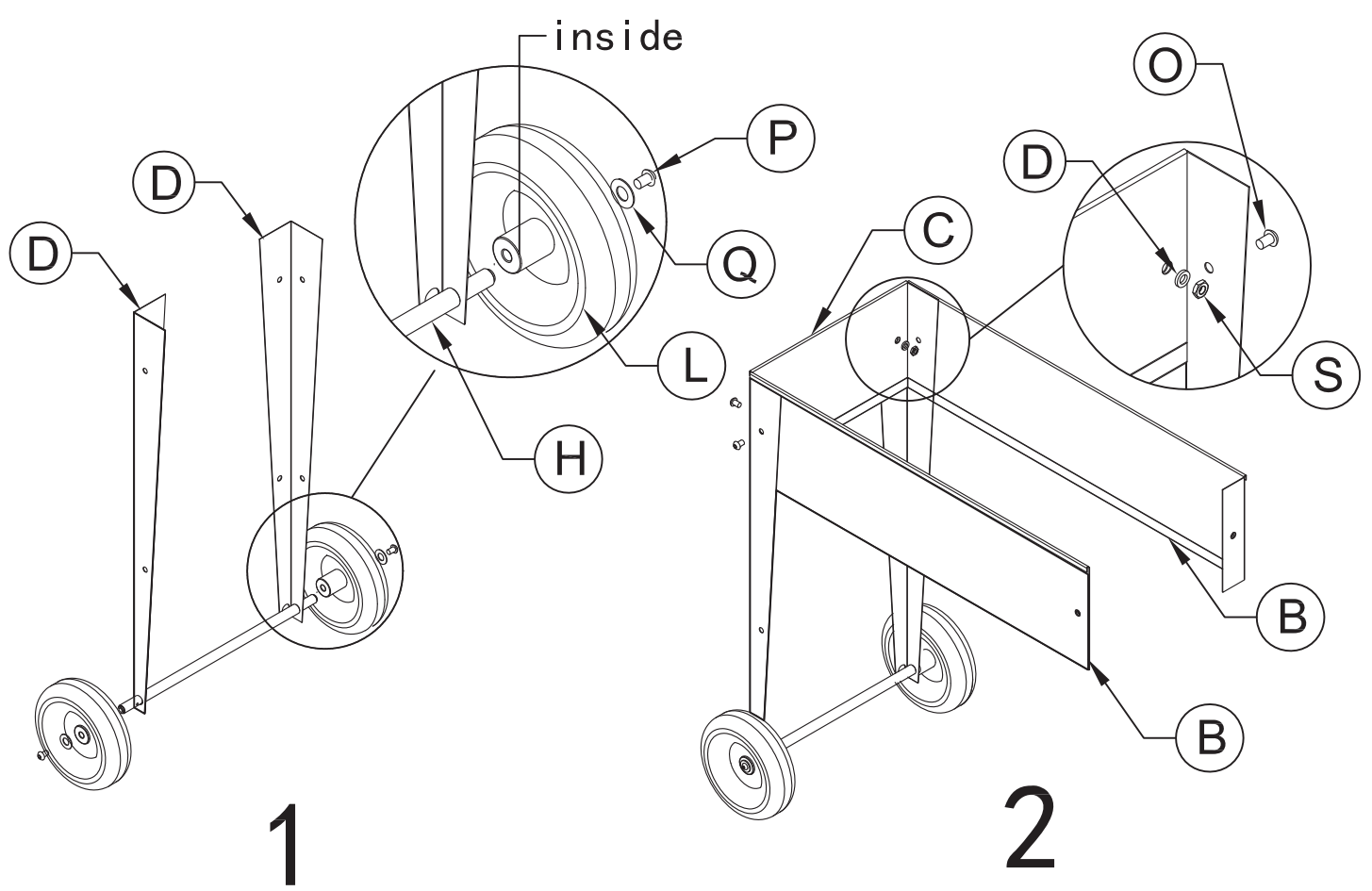
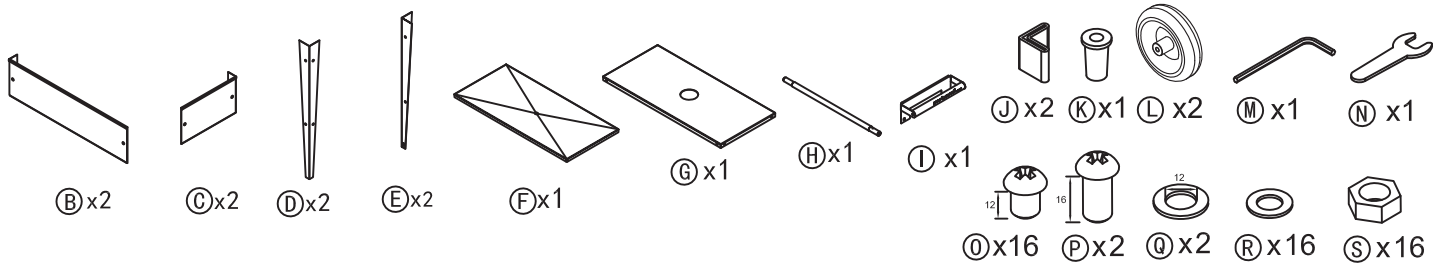
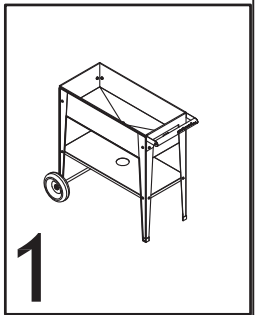
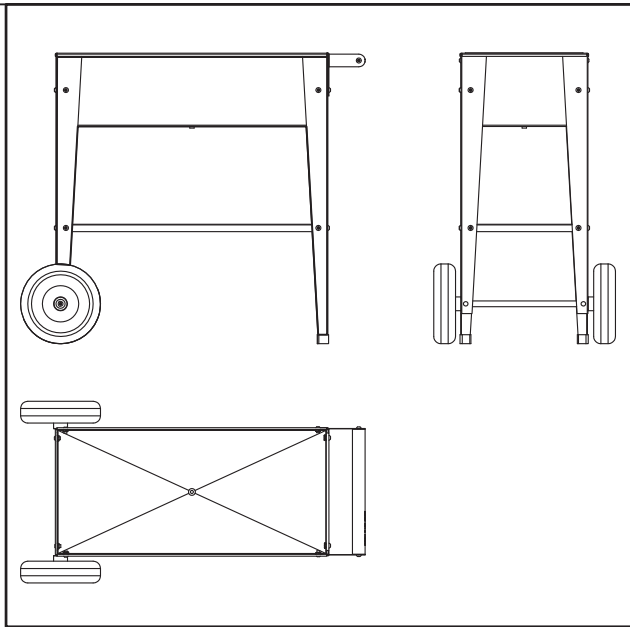


instructions

- 1、 the ① and ② are different;
- 2、 the ③ and ④ are different;



instructions

- 1, firstly, have ① inserted in ②, and then screw with ③ and ④;
- 2, the ① and ③ are different;
- 3, the ④ and ⑤ are different;



Herstera

