



# Soft-Sided 360 Blind

## Model MUD-BBB0750

**ATTENTION! WHEN YOU SEE A "⚠️ WARNING!" BE SURE TO HEED THE MESSAGE! THE INFORMATION CONTAINED IN THESE MESSAGES CAN SAVE YOUR LIFE!**



**⚠️ WARNING!** Scan this QR Code, or visit [www.standsafety.org](http://www.standsafety.org), for an important treestand safety video. You must watch this video in its entirety before using this product.

Please read and follow all instructions and warnings. Failure to follow these instructions may result in serious injury or death!

- ⚠️ WARNING!** This product is not fireproof. The fabric will burn if it comes into contact with an open flame or fuel source. Keep product away from direct flame. Failure to follow this warning may result in serious injury or death!
- ⚠️ WARNING!** This product is for hunting purposes only! It is not to be used as a camping tent or for any other function. Failure to follow this warning may result in serious injury or death!
- ⚠️ WARNING!** Do not use devices that produce fumes inside of blind. Vapors and fumes could result in carbon monoxide poisoning, serious injury, or death!
- ⚠️ WARNING!** Do not allow children or adults to use lighted candles, matches, or other sources of fire near this product. Failure to follow this warning may result in serious injury or death!
- ⚠️ WARNING!** Do not allow the material to cover your face. This may result in serious injury, suffocation, or death!
- ⚠️ WARNING!** Do not allow children to use this product without direct adult supervision. Failure to follow this warning may result in serious injury or death!

### PARTS LIST

Part #	Description	Qty
UP18-0085	Outer Standing Platform	2
UP18-0086	Center Standing Platform	1
UP18-0087	Female Corner Support	8
UP18-0088	Male Corner Support	8
UP18-0089	Window Support	3
UP18-0090	Lower Window Brace	3
UP18-0091	Upper Window Brace	3
UP18-0092	Outer Roof Piece	4
UP18-0093	Long Roof Support	4
UP18-0094	Short Roof Support	4
UP18-0095	Roof Brace	8
UP18-0096	Roof Plate	1
UP10-0180	Support Brace	16
UP18-0097	Blind Cover	1
UP18-0098	Vertical Mesh Window	4
UP18-0099	Horizontal Mesh Window	3
UP18-0100	Foam Floor	1
	Owners Manual	1

Check to make sure you have all the required parts and hardware. If you find damaged or missing parts in a newly purchased product, please return this product to the retailer for replacement.



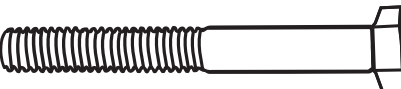
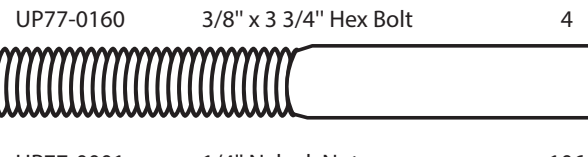



### ⚠️ WARNING! ⚠️

Read all instructions and safety warnings and follow them thoroughly. Failure to follow these instructions may result in serious injury or death!

### TIPS FOR INCREASING PRODUCT LONGEVITY

Always store your blind in a cool dry place and make sure that your blind is completely dry and clean before storing in carrying bag. Never leave your blind outside for any longer than needed. This material may fade after long periods of time in direct sunlight.

### HARDWARE LIST

Part #	Description	Qty
UP77-0015	[A] 1/4" x 3/4" Hex Bolt	8
		
UP77-0018	[B] 1/4" x 1 1/4" Hex Bolt	88
		
UP77-0023	[C] 1/4 x 2" Hex Bolt	10
		
UP77-0160	3/8" x 3 3/4" Hex Bolt	4
		
UP77-0001	1/4" Nylock Nut	106
		
UP77-0168	3/8" Hex Nut	4
		
UP77-0053	3/8" Steel Washer	8
		

**NOTE:** The included 3/8" hex bolts and nuts are used to attach the Soft-Sided 360 Blind to model MUD-BBT200 Deluxe Tower.

**ATTENTION! WHEN YOU SEE A "⚠️ WARNING!" BE SURE TO HEED THE MESSAGE! THE INFORMATION CONTAINED IN THESE MESSAGES CAN SAVE YOUR LIFE!**



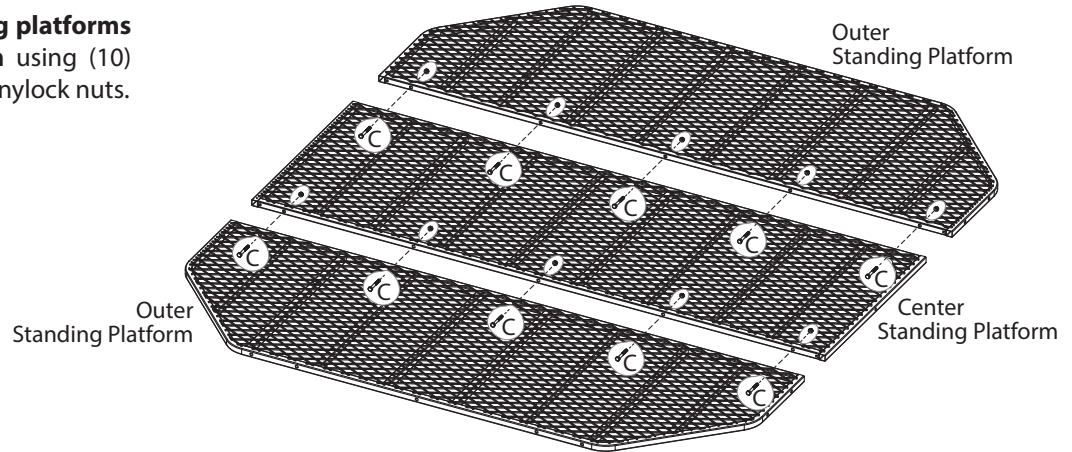
**⚠️ WARNING!** Scan this QR Code, or visit [www.standsafety.org](http://www.standsafety.org), for an important treestand safety video. You must watch this video in its entirety before using this product.

**⚠️ WARNING! DO NOT over tighten the hardware. Over tightening can lead to structural damage and may negatively affect the performance of your blind. Failure to follow these instructions may result in serious injury or death!**

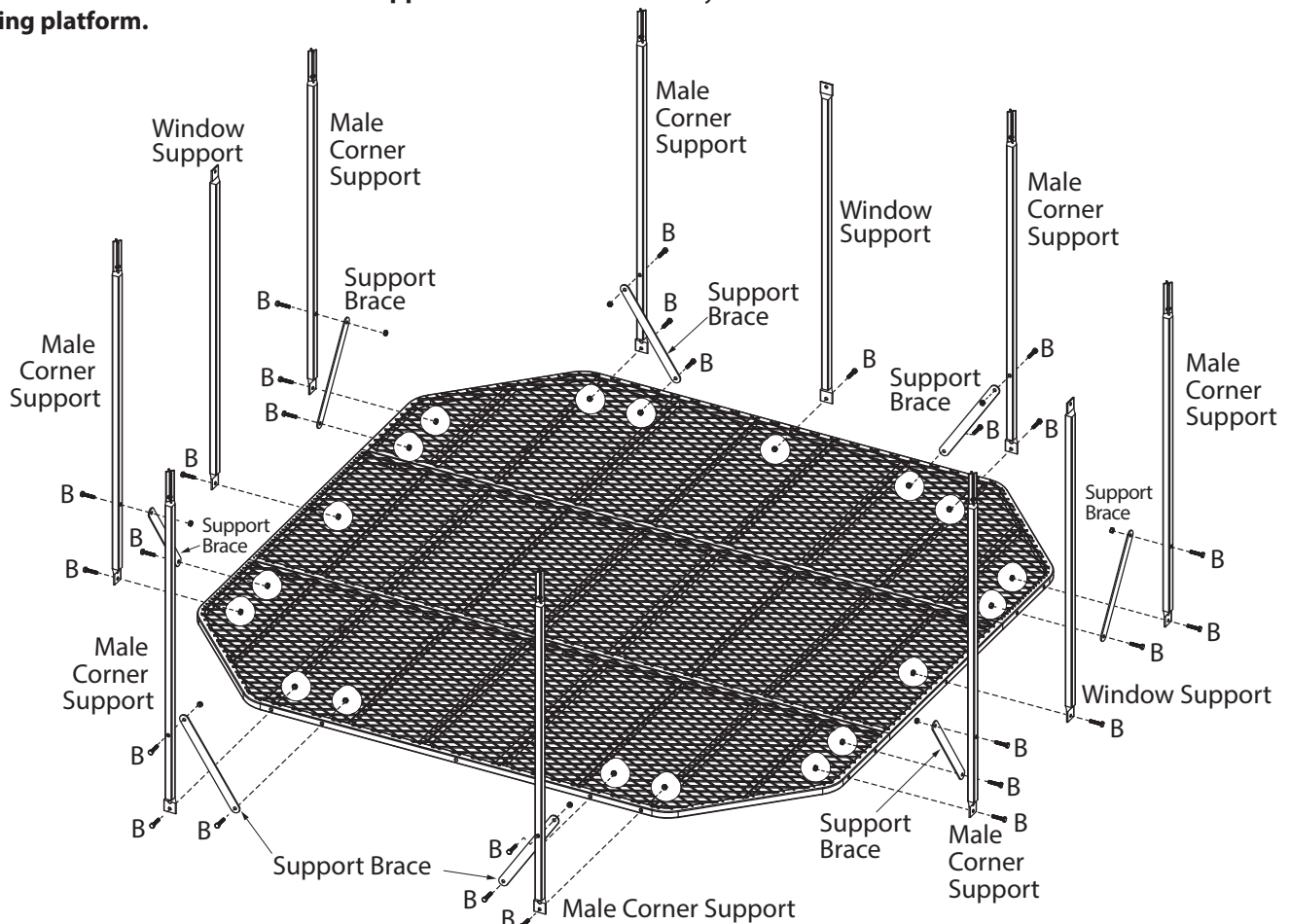
**NOTE:** All steps require that you temporarily finger tighten all nuts and bolts until instructed to tighten. This will ensure proper alignment during assembly.

**NOTE:** Most parts of this model are manufactured to be universal in use, so there may be some parts containing holes that will not be used for assembly. To minimize confusion in the assembly process, please read these instructions in entirety before beginning.

**STEP 1.** Attach the **outer standing platforms** to the **center standing platform** using (10) 1/4" x 2" hex bolts [C] and (10) 1/4" nylock nuts.



**STEP 2.** Using (24) 1/4" x 1 1/4" hex bolts [B] and (24) 1/4" nylock nuts secure the **male corner supports** and (8) **support braces** to the assembled **outer standing platforms**. **NOTE:** The **support braces** are attached to the inside of the **male corner supports** and outside of the **standing platform**.



**STEP 3.** Attach the **window supports** to the assembled **center standing platform** and one **outer standing platform** using (3) 1/4" x 1 1/4" hex bolts [B] and (3) 1/4" nylock nuts.

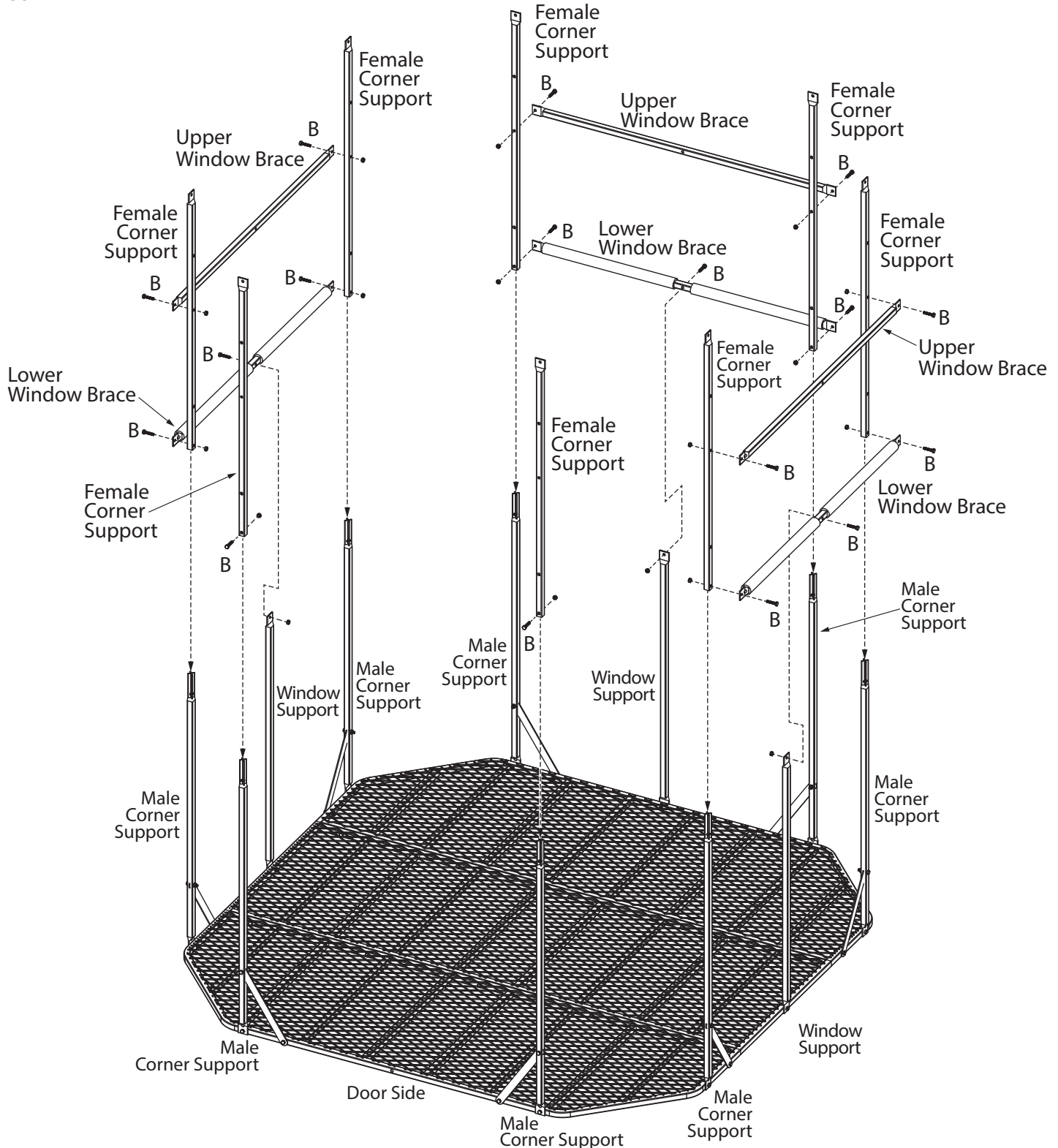
**ATTENTION! WHEN YOU SEE A "⚠️ WARNING!" BE SURE TO HEED THE MESSAGE!  
THE INFORMATION CONTAINED IN THESE MESSAGES CAN SAVE YOUR LIFE!**



**⚠️ WARNING!** Scan this QR Code, or visit [www.standsafety.org](http://www.standsafety.org), for an important treestand safety video. You must watch this video in its entirety before using this product.

**STEP 4.** Insert the **female corner supports** onto the assembled **male corner supports** aligning holes. Secure the **corner supports** on the door side using (2) 1/4" x 1 1/4" hex bolts [B] and (2) 1/4" nylock nuts. Next, attach the **lower window braces** to the outside of the **corner supports** and **window supports** using (9) 1/4" x 1 1/4" hex bolts [B] and (9) 1/4" nylock nuts.  
**NOTE:** The **lower window braces** are covered with foam padding.

**STEP 5.** Using (6) 1/4" x 1 1/4" hex bolts [B] and (6) 1/4" nylock nuts attach the **upper window braces** to the outside of the **corner supports** above the assembled **lower window braces**.



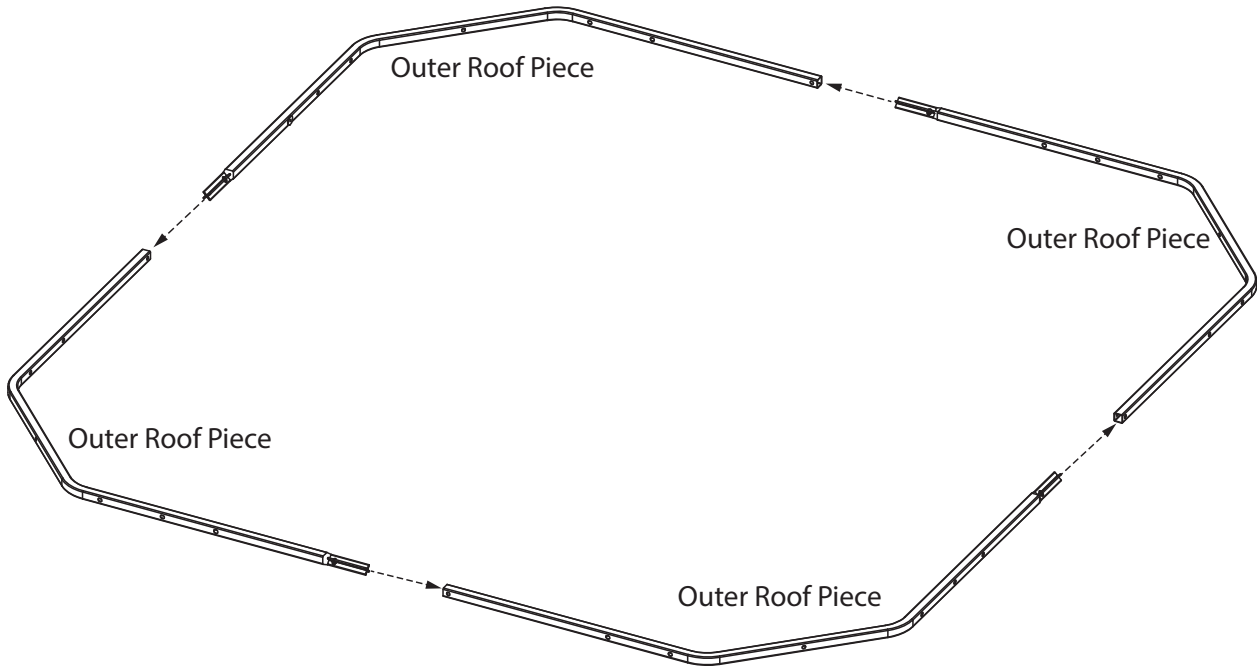
**READ THIS MANUAL IN ITS ENTIRETY PRIOR TO USING THIS PRODUCT.**

**ATTENTION!** WHEN YOU SEE A "⚠️ **WARNING!**" BE SURE TO HEED THE MESSAGE!  
**THE INFORMATION CONTAINED IN THESE MESSAGES CAN SAVE YOUR LIFE!**

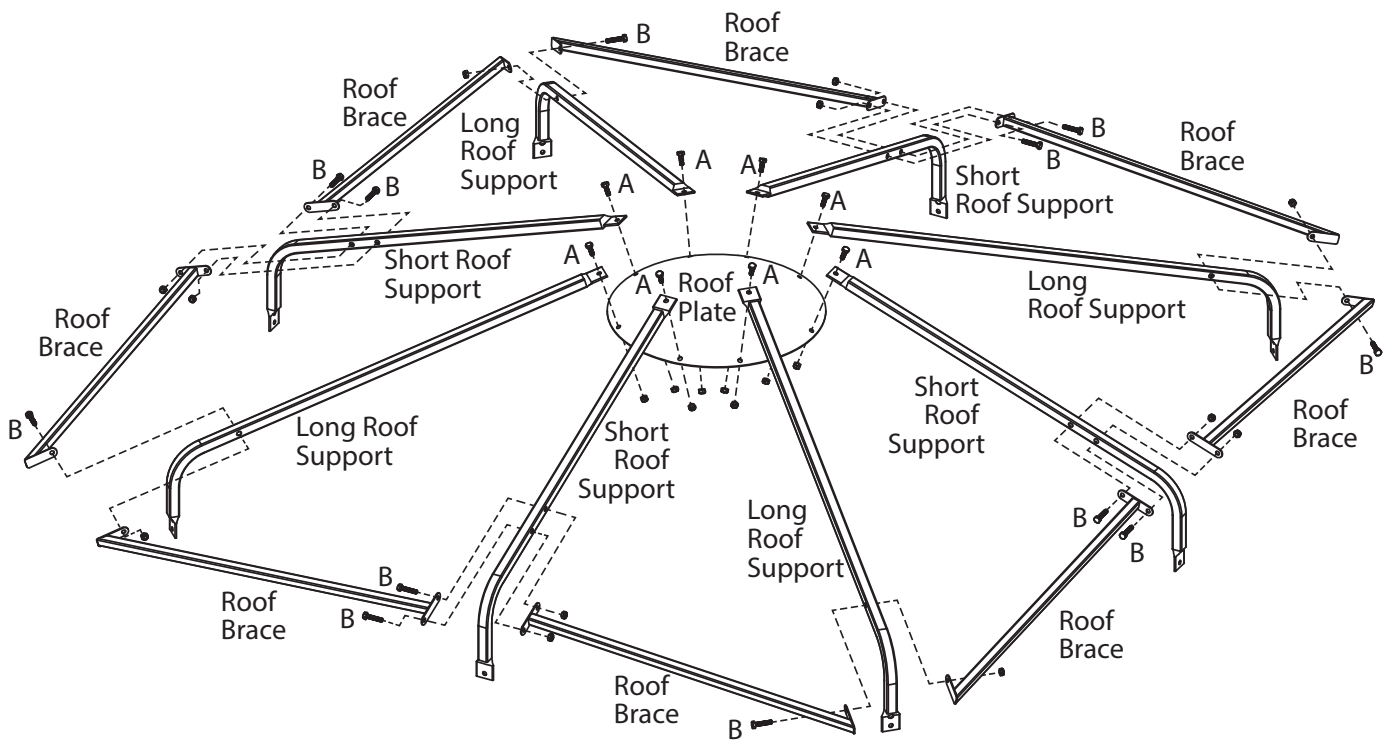


**⚠️ WARNING!** Scan this QR Code, or visit [www.standsafety.org](http://www.standsafety.org), for an important treestand safety video. You must watch this video in its entirety before using this product.

**STEP 6.** Connect the (4) **outer roof pieces** to form the **outer roof** (to be used in **Step 8**).



**STEP 7.** Assemble the **roof** (to be used in **Step 9**) by attaching the **short** and **long roof supports** to the **roof plate** using (8) 1/4" x 3/4" hex bolts [A] and (8) 1/4" nylock nuts. Then, attach the **roof braces** between the **short** and **long roof supports** using (12) 1/4" x 1 1/4" hex bolts [B] and (12) 1/4" nylock nuts.

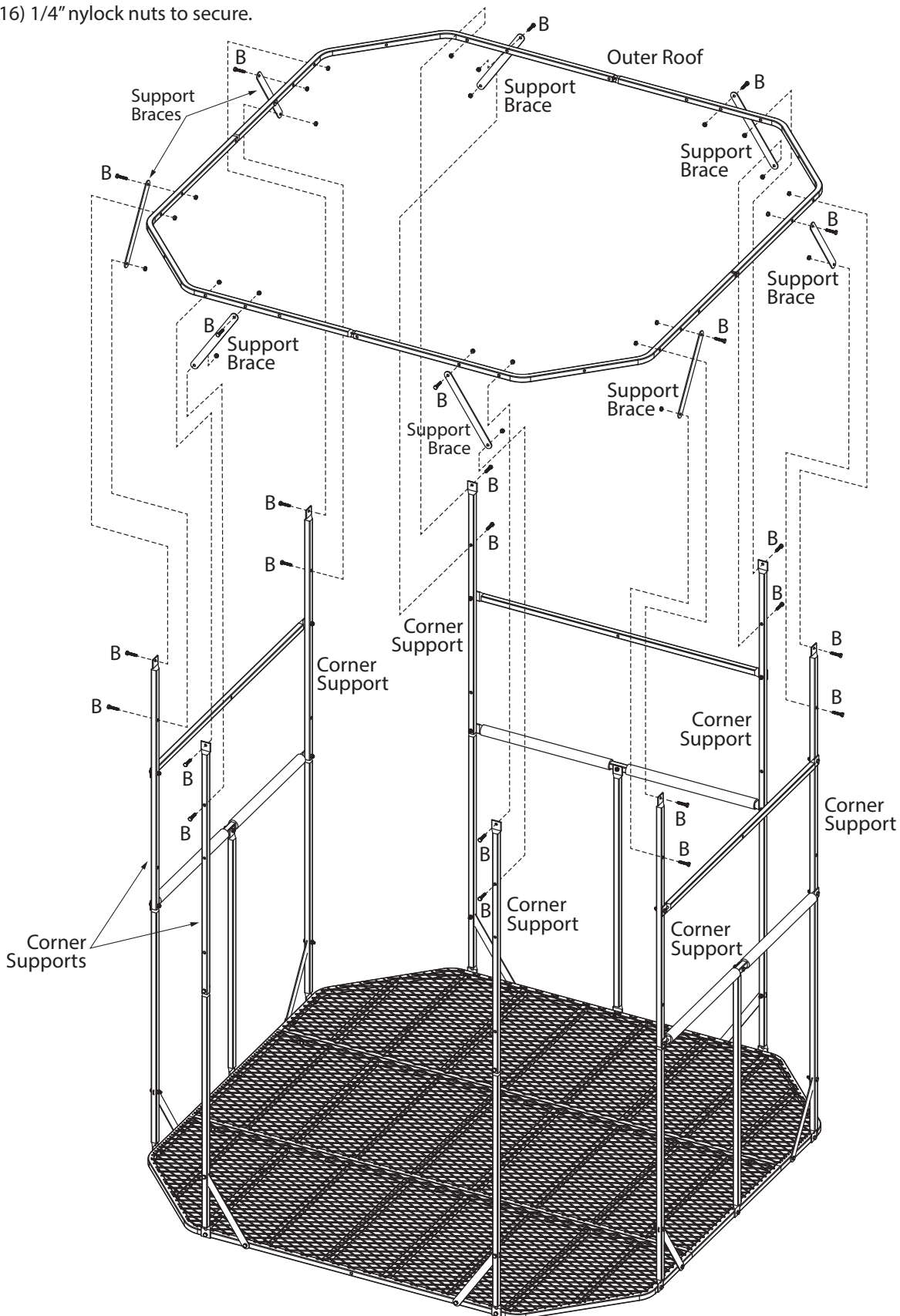


**ATTENTION! WHEN YOU SEE A "⚠️ WARNING!" BE SURE TO HEED THE MESSAGE!  
THE INFORMATION CONTAINED IN THESE MESSAGES CAN SAVE YOUR LIFE!**



**⚠️ WARNING!** Scan this QR Code, or visit [www.standsafety.org](http://www.standsafety.org), for an important treestand safety video. You must watch this video in its entirety before using this product.

**STEP 8.** Attach the **outer roof** to the inside of the **corner supports** using (8) 1/4" x 1 1/4" hex bolts [B] and (8) 1/4" nylock nuts. Next, attach (8) **support braces** to the inside of the **corner supports** and to the outside of the **outer roof** using (16) 1/4" x 1 1/4" hex bolts [B] and (16) 1/4" nylock nuts to secure.



**READ THIS MANUAL IN ITS ENTIRETY PRIOR TO USING THIS PRODUCT.**

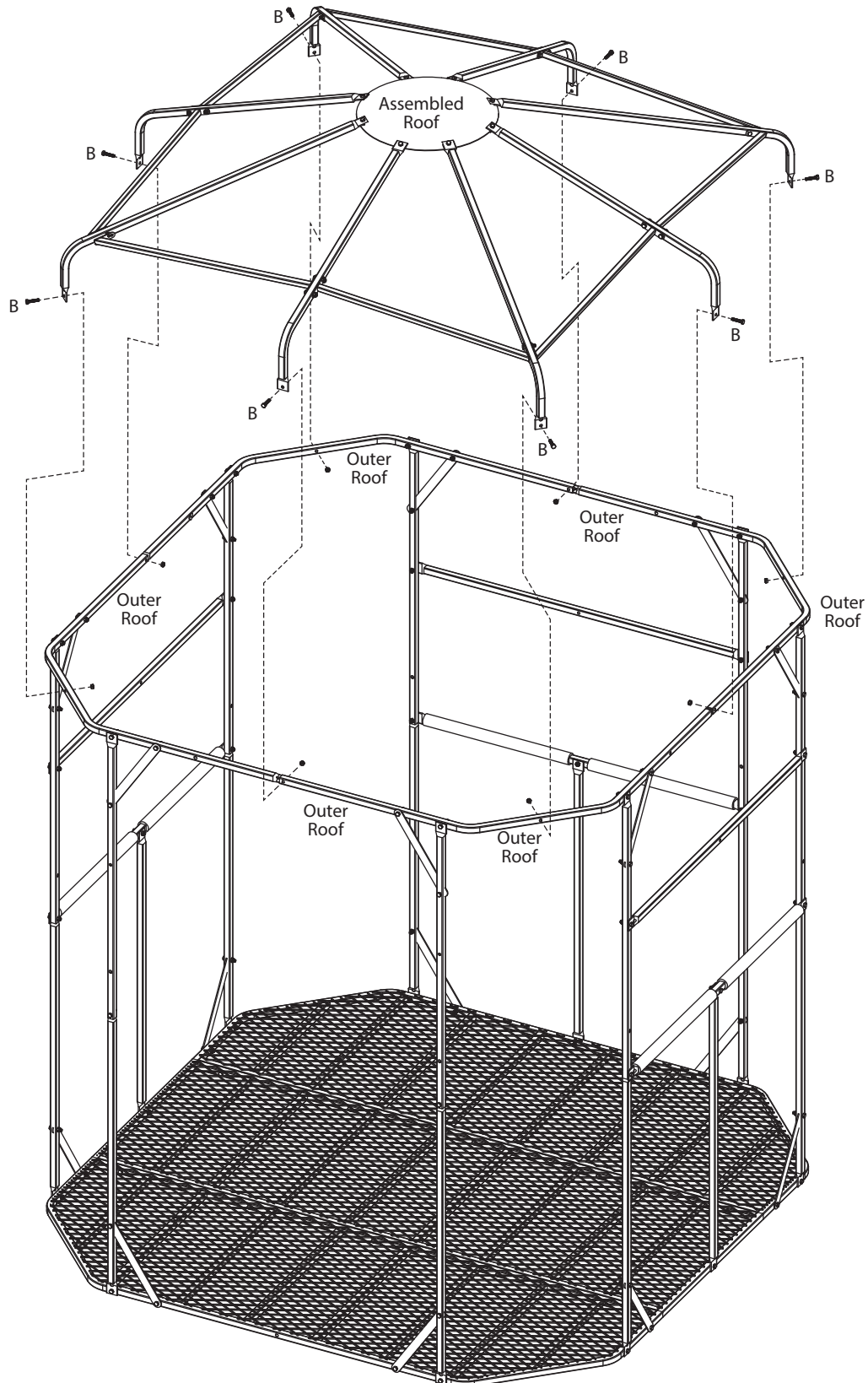
**ATTENTION! WHEN YOU SEE A "⚠️ WARNING!" BE SURE TO HEED THE MESSAGE!  
THE INFORMATION CONTAINED IN THESE MESSAGES CAN SAVE YOUR LIFE!**



**⚠️ WARNING!** Scan this QR Code, or visit [www.standsafety.org](http://www.standsafety.org), for an important treestand safety video. You must watch this video in its entirety before using this product.

**STEP 9.** Attach the assembled **roof** to the outside of the **outer roof** using (8) 1/4" x 1 1/4" hex bolts [B] and (8) 1/4" nylock nuts.  
**NOTE:** The long roof supports attach to the corners and short roof supports attach to the sides.

**STEP 10. SECURELY TIGHTEN ALL NUTS AND BOLTS AT THIS TIME.**

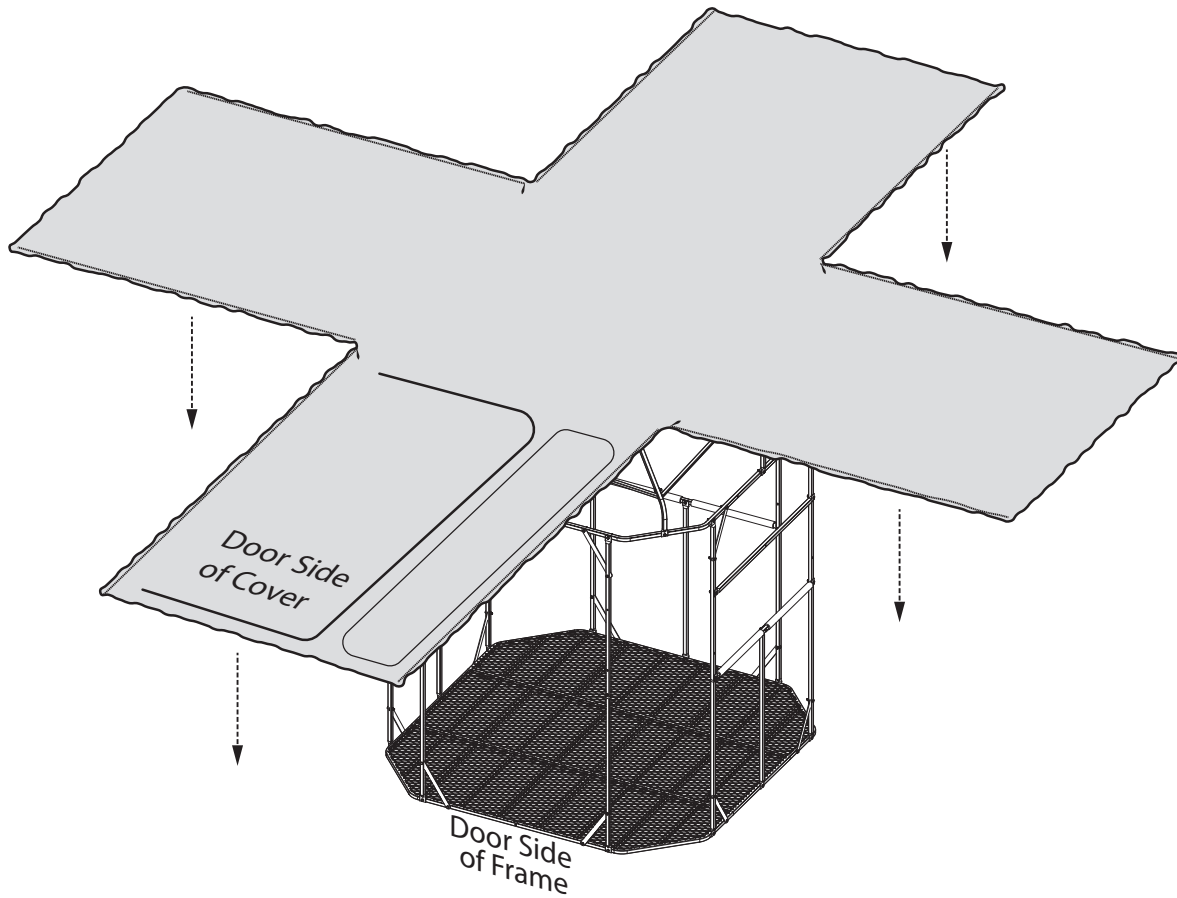


**ATTENTION! WHEN YOU SEE A "⚠ WARNING!" BE SURE TO HEED THE MESSAGE! THE INFORMATION CONTAINED IN THESE MESSAGES CAN SAVE YOUR LIFE!**

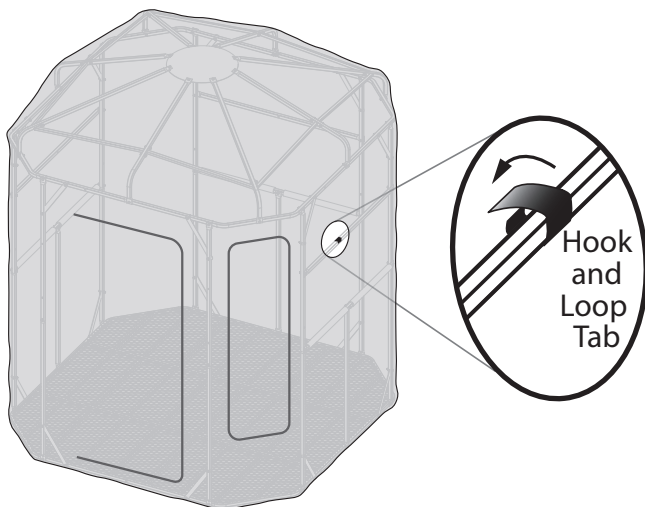


**⚠ WARNING!** Scan this QR Code, or visit [www.standsafety.org](http://www.standsafety.org), for an important treestand safety video. You must watch this video in its entirety before using this product.

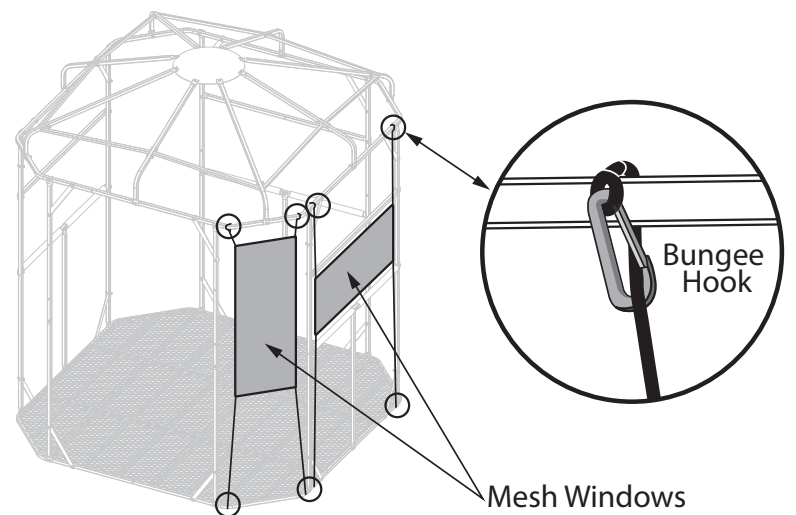
**STEP 11.** Locate the door side of the blind cover and the door side of the assembled blind frame. Place the blind cover over the assembled blind frame aligning door sides. Carefully zip the blind cover closed on all four sides of the blind cover.



**STEP 12.** Secure the hooks on the bottom flaps of the blind cover to the underside of the standing platform. Then, complete attaching the blind cover to the blind frame by securing the inside hook and loop tabs.



**STEP 13.** Attach the vertical and horizontal mesh windows to the blind frame using bungee hooks. Then, assemble the foam floor and place it over the blind platform.



**READ THIS MANUAL IN ITS ENTIRETY PRIOR TO USING THIS PRODUCT.**



PO Box 535189 • Grand Prairie, TX 75053-5189  
(877) 269-8490

*www.gsmoutdoors.com*



**⚠ WARNING!** Scan this QR Code, or visit [www.standsafety.org](http://www.standsafety.org), for an important treestand safety video. You must watch this video in its entirety before using this product.