

HAWK®

INSTRUCTION MANUAL

Down and Out Scout Floor

Model HWK-SCFLR

Down and Out Warrior Floor

Model HWK-WRFLR

ATTENTION!!

**WHEN YOU SEE A "⚠ WARNING!" BE SURE TO HEED THE MESSAGE!
THE INFORMATION CONTAINED IN THESE MESSAGES CAN SAVE YOUR LIFE!**

PLEASE NOTE THAT ⚠ WARNING! Statements have been placed throughout this Instruction Manual. These statements point out important safety information and instructions, which, if not followed could endanger the personal safety and/or property of the operator. It is imperative that the operator of this product, or any other product(s) read and follow all the instructions and warnings contained in this Manual prior to attempting to use this product(s), or any other product(s). Failure to comply with these instructions and/or warnings may result in serious personal injury or death!



⚠ WARNING! Scan this QR Code, or visit www.standsafety.org, for an important treestand safety video. You must watch this video in its entirety before using this product.

PO Box 535189 • Grand Prairie, TX 75053-5189 • (877) 269-8490
www.gsmoutdoors.com



This instruction manual complies with the ASTM standard F2123 - Standard Practice for Treestand Instructions.

January 2020. Published by GSM, LLC, Grand Prairie, Texas

© 2020 GSM, LLC. All rights reserved.

R2020.1

ATTENTION! WHEN YOU SEE A "⚠️ WARNING!" BE SURE TO HEED THE MESSAGE! THE INFORMATION CONTAINED IN THESE MESSAGES CAN SAVE YOUR LIFE!



⚠️ WARNING! Scan this QR Code, or visit www.standsafety.org, for an important treestand safety video. You must watch this video in its entirety before using this product.

USAGE INSTRUCTIONS & WARNINGS

HWK-SCFLR • DOWN AND OUT SCOUT FLOOR

CARRYING CAPACITY (USER(S) AND EQUIPMENT) 500 lbs/227 kg

HWK-WRFLR • DOWN AND OUT WARRIOR FLOOR

CARRYING CAPACITY (USER(S) AND EQUIPMENT) 500 lbs/227 kg

⚠️ WARNING! This GSM, LLC product carries strict weight restrictions. **DO NOT use this product if you exceed these total weight limitations. Please note that these weight limitations include the user(s) and their equipment. Failure to follow these instructions may result in serious injury or death!**

An important safety video can be found by going to www.standsafety.org or by scanning any of the QR codes found throughout this manual. Please view it in its entirety prior to using this product!

Thank you for your purchase of this quality GSM, LLC product. To ensure your personal safety, please take a moment to carefully read this Instruction Manual in its entirety before attempting to set-up, install, remove and/or otherwise use this GSM, LLC product(s). Failure to follow these instructions may result in serious injury or death!

Shall you have any questions about the installation, removal, and/or use of this product, or any other GSM, LLC product(s) do not hesitate to call one of our customer service representatives toll free at (877) 269-8490 or visit us online at www.gsmoutdoors.com. Our customer service representatives will answer any questions you may have about any of the complete line of GSM, LLC products.

If you find damaged or missing parts in a newly purchased product, please return this product to the retailer for replacement.

PLEASE NOTE THAT WARNING! Statements have been placed throughout this Instruction Manual. These statements point out important safety information and instructions, which, if not followed could endanger the personal safety and/or property of the operator(s). It is imperative that the operator(s) of this product, or any other GSM, LLC product(s) read and follow all the instructions and warnings contained in this Instruction Manual prior to attempting to use this GSM, LLC product(s), or any other GSM, LLC product(s). Failure to comply with these instructions and/or warnings may result in serious personal injury or death!

⚠️ WARNING! Failure to read and strictly comply with the instructions contained in this Instruction Manual may result in serious injury or death!

⚠️ WARNING! Falls from a freestanding platform can occur anytime after leaving the ground. These falls may result in serious injury or death! For your personal safety, please take a moment to carefully read this product(s) instruction manual in its entirety before attempting to assemble, set-up, install, remove, and/or otherwise use this GSM, LLC product(s). At least annually, review the contents of this instruction manual and watch the stand safety video found at www.standsafety.org or by scanning any of the QR codes found throughout this manual. Additionally, keep these instructions for the entire duration that you own this product(s). Failure to follow these instructions may result in serious injury or death!

⚠️ WARNING! The safe use and operation of this product(s) is the sole responsibility of the user. It is also the sole responsibility of the owner to provide any person(s) who borrow or purchase this product(s) with this instruction manual. Failure to follow these instructions may result in serious injury or death! Additionally, failure to follow this warning may subject you to personal liability penalties as determined by the U.S. Judicial system.

⚠️ WARNING! DO NOT use this or any other GSM, LLC product(s) if you have a history of heart problems, back problems, impaired vision, joints that lock-up, spinal fusions, equilibrium problems, high blood pressure, are not well-rested and/or any other physical impairment that may limit your ability to use and/or operate this product(s) in the safe manner outlined in this Instruction Manual. Additionally, do not use this or any other GSM, LLC product(s) if you are currently taking medication (including prescription) and/or using and/or consuming any substance, including alcohol, that may limit your ability to use this GSM, LLC product(s) as outlined and described in the Instruction Manual. Never use a freestanding platform treestand when feeling ill, nauseous or dizzy. Failure to follow these instructions may result in serious injury or death!

⚠️ WARNING! Do not remove, modify, and/or omit any portion or otherwise mechanically modify this product(s) or its assemblies in any manner. Modification, misuse, and/or part substitution may result in serious injury or death! Never modify your stand in any way by making repairs, or altering, adding or attaching anything to it except if explicitly authorized in writing by the manufacturer.

⚠️ WARNING! Several GSM, LLC freestanding platform treestands are equipped with a handrail. The handrail has not been designed to support the users weight. Under no circumstances shall you place any more than fifteen (15) pounds (7 kg) of weight on this structure. Doing so will put the user in serious risk of injury or death. Failure to follow these instructions may result in serious injury or death!

⚠️ WARNING! Prior to each hunt, you must inform someone of your hunting location and the expected duration of your hunt. Failure to follow these instructions may result in serious injury or death!

⚠️ WARNING! Prior to each hunt, make sure that you have a signaling device (e.g., mobile phone, radio, whistle, signal flare or Personal Locator Device (PLD)) in your possession and in an operable condition. This device must be within easy access shall you experience the need to contact emergency assistance. Failure to follow these instructions may result in serious injury or death!

⚠️ WARNING! This product(s) is designed for adult use only. No one under the age of 16 shall attempt to use this or any other product(s) without direct adult supervision. Failure to follow these instructions may result in serious injury or death!

⚠️ WARNING! Prior to attempting to use this or any other GSM, LLC product(s) you must take a moment and become familiar with its assembly, setup, installation, use, and removal. You must practice installing, setting up, using and removal of this product(s) at ground-level prior to attempting to use it at heights above ground-level. Once you have become thoroughly knowledgeable and comfortable with this GSM, LLC product(s) setup, installation, use, and removal at ground-level, you are now ready to use it at heights above ground-level. Failure to follow these instructions may result in serious injury or death!

⚠️ WARNING! NEVER hunt out of a freestanding platform treestand at heights at which you are not completely comfortable. Depending on the hunting conditions, choose the minimum hunting height that allows for safe, effective hunting. Failure to follow these instructions may result in serious injury or death!

⚠️ WARNING! Strict weight limitations have been set for each product(s) to ensure your personal safety. Note the weight limitations and maximum occupancy for your GSM, LLC product(s). This weight limit includes the user(s) and equipment. **NEVER EXCEED THESE WEIGHT LIMITATIONS!** Failure to follow these instructions may result in serious injury or death!

**ATTENTION! WHEN YOU SEE A "⚠️ WARNING!" BE SURE TO HEED THE MESSAGE!
THE INFORMATION CONTAINED IN THESE MESSAGES CAN SAVE YOUR LIFE!**



⚠️ WARNING! Scan this QR Code, or visit www.standsafety.org, for an important treestand safety video. You must watch this video in its entirety before using this product.

⚠️ WARNING! DO NOT attempt to use this or any other GSM, LLC product(s) when ice, snow, and/or freezing rain has deposited or formed on any portion of the stand you intend to climb. Do not attempt to use this or any other GSM, LLC product(s) when thunderstorms are threatening and/or present within five (5) miles (8 km). Do not attempt to use this or any other product(s) when any other adverse weather condition(s) presents itself. These include, but are not limited to, weather condition(s) which have the potential for producing winds, lightning, rain, snow, sleet and/or any other atmospheric condition which may limit the user's ability to operate this GSM, LLC product(s) in a safe manner as described in this Instruction Manual. Shall inclement weather conditions arise during your use of this GSM, LLC product(s), return to the ground immediately and seek proper man-made shelter. Failure to follow these instructions may result in serious injury or death!

⚠️ WARNING! Never attempt to climb up or climb down with a weapon and/or gear in your possession. **ALWAYS** unload your weapon and pull it up to hunting height using a tether or pull up rope. **ALWAYS** lower your unloaded weapon down to the ground prior (when raising or lowering firearms, the chamber must be open and the barrel pointing downward toward the ground) to attempting to climb down. Use this same method when raising or lowering all other gear. Failure to follow these instructions may result in serious injury or death!

⚠️ WARNING! Thoroughly inspect this product or any other GSM, LLC product(s) (and its components) prior to each use for signs of wear, rot, corrosion, cracks, deterioration and/or any other type of damage(s). **DO NOT** expose your freestanding platform treestand to extended exposure to direct sunlight, excessive heat or freezing temperature. Do not use your freestanding platform treestand or any other product(s) if they show evidence of wear, rot, corrosion, cracks, deterioration and/or any other type of damage(s). Failure to follow these instructions may result in serious injury or death!

⚠️ WARNING! Never jump or bounce on a freestanding platform treestand seat. Failure to follow these instructions may result in serious injury or death!

⚠️ WARNING! Always wear the appropriate foot wear when using a freestanding platform treestand. A good non-slip safety boot is important to your personal safety. Be especially careful that boot laces do not get hooked on the freestanding platform treestand or any of its components (tuck shoelaces into boot before climbing). Failure to follow these instructions may result in serious injury or death!

⚠️ WARNING! DO NOT modify, fix/repair, alter, bend, cut, weld, or heat the freestanding platform treestand in any way. Additionally, do not attach anything to your freestanding platform treestand without explicit authorized and written instructions from the manufacturer. Failure to follow these instructions may result in serious injury or death!

⚠️ WARNING! DO NOT erect this GSM, LLC product(s) around power generation (transformers, generators, substations, etc.) and/or power transmission equipment (power lines). Failure to follow these instructions may result in serious injury or death!

⚠️ WARNING! Before you dig, you must contact your local buried utilities One Call Center, 811, to prevent injury, damage of services, or delays. One Call will notify your local utility companies of your proposed project. Failure to follow these instructions may result in serious injury or death!

⚠️ WARNING! Do not attempt to make adjustments to this product(s) while in the stand. All adjustments must be made with the entire stand on the ground. Failure to follow these instructions may result in serious injury or death!

⚠️ WARNING! Check the ground under your freestanding platform treestand to make sure it is firm and level. Sloping ground or uneven surfaces can cause your stand to tilt or shift as you climb. Do not use this stand when high winds are present or forecast. Failure to follow these instructions may result in serious injury or death!

⚠️ WARNING! Never attempt to hunt from an unlevel platform. Additionally, never attempt to level your freestanding platform treestand at heights above the ground. If you find that your platform is unlevel, canted, angled awkwardly upward or downward, or in any configuration other than level, readjust your freestanding platform treestand as necessary to alleviate this awkward angle. Failure to follow these instructions may result in serious injury or death!

⚠️ WARNING! BEFORE each use, make sure all nuts and bolts are secure. **CHECK** all hardware and webbing prior to every use to make sure that no damage has occurred to hardware. **DO NOT USE THIS PRODUCT(S) IF ANY DAMAGE IS SUSPECTED.** Failure to follow these instructions may result in serious injury or death!

⚠️ WARNING! Prior to climbing, make sure all legs, ladder or supporting sections are firmly connected and locked. Make certain that none of the sections have come loose or separated. If they are, **DO NOT USE THIS PRODUCT(S).** Failure to follow these instructions may result in serious injury or death!

⚠️ WARNING! ALWAYS maintain three-point contact when climbing up or down. Proper three-point contact means having either two feet with one hand or one foot with two hands on the step portion of the climbing aids at all times when climbing up or down. Failure to follow these instructions may result in serious injury or death!

⚠️ WARNING! ALWAYS lean forward as you climb the freestanding platform treestand. Failure to follow these instructions may result in serious injury or death!

⚠️ WARNING! Use of propane heaters, or any other type of heater(s), inside this GSM, LLC product may produce an atmosphere which is immediately dangerous to life and health (asphyxiation hazard from carbon monoxide poisoning). **NEVER** attempt to use any heater(s) unless it is equipped with a UL Listed and functioning carbon monoxide shut-off feature and tip-over safety switch/cutoff. Failure to follow these instruction may result in serious injury or death!

⚠️ WARNING! Use only UL Listed heating device(s) labeled for **INDOOR USE ONLY** in this GSM, LLC product. Failure to follow these instruction may result in serious injury or death!

⚠️ WARNING! You must read and follow all the manufacturer's instructions for the safe use and operation of any heating device(s) used in this GSM, LLC product. Failure to follow these instructions may result in serious injury or death!

⚠️ WARNING! DO NOT attempt to use propane, or any other type of heating device(s), marked or labeled for **OUTDOOR USE ONLY**. Use of such heating devices will produce an atmosphere which is immediately dangerous to life and health (asphyxiation hazard from carbon monoxide poisoning). Failure to follow these instructions may result in serious injury or death!

⚠️ CAUTION! Know the signs and symptoms of carbon monoxide poisoning (e.g., nausea, dizziness, headache, etc.). If you think that you may be affected, immediately turn off any source(s) of carbon monoxide and immediately move to an area with fresh air.

Shall you have any questions about the assembly, installation or use of this product, or any other product, please do not hesitate to call one of our customer service representatives at (877) 269-8490 or visit www.gsmoutdoors.com for more details, and they will answer all questions you may have about any of the complete line of products. Please have the batch/serial number ready (find your batch number on a riveted metal tag affixed to your product) before calling to better assist you.

READ THIS MANUAL IN ITS ENTIRETY PRIOR TO USING THIS PRODUCT.

This instruction manual complies with the ASTM standard F2123 - Standard Practice for Treestand Instructions.

ATTENTION! WHEN YOU SEE A "⚠️ WARNING!" BE SURE TO HEED THE MESSAGE! THE INFORMATION CONTAINED IN THESE MESSAGES CAN SAVE YOUR LIFE!



⚠️ WARNING! Scan this QR Code, or visit www.standsafety.org, for an important treestand safety video. You must watch this video in its entirety before using this product.

PARTS LIST (HWK-SCFLR)

Part #	Description	Qty
UP20-0058	Standing Platform	2
	Instruction Manual	1

PARTS LIST (HWK-WRFLR)

Part #	Description	Qty
UP20-0059	Front Standing Platform	1
UP20-0060	Rear Standing Platform	1
	Instruction Manual	1

Check to make sure you have all the required parts and hardware. If you find damaged or missing parts in a newly purchased product, please return this product to the retailer for replacement.

SPECS

Max. Weight Capacity (User and Equipment): 500 lbs/227 kg

TOOLS REQUIRED:

Adjustable Wrench - Qty 2 (Not Included)



Treestand Safety Video



SCAN HERE

Scan this QR Code, or visit www.standsafety.org, for an important treestand safety video. You must watch this video in its entirety before using this product.

STORAGE AND CARE OF YOUR STAND

Your new platform is factory finished with a state-of-the-art powder coating that guarantees years of trouble-free service. It is recommended that you store your treestand out of direct sunlight and out of any other harsh environmental condition(s) that may adversely affect its performance.

OPTIONAL ACCESSORIES

Any number of innovative accessories are available and sold separately to compliment your new GSM, LLC product(s). Only genuine authorized accessories shall be used with GSM, LLC product(s).

HARDWARE LIST

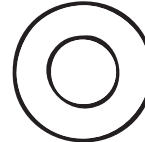
Part #	Description	HWK-SCFLR Qty	HWK-WRFLR Qty
UP77-0121	[A] 5/16" x 4" Hex Bolt	4	8



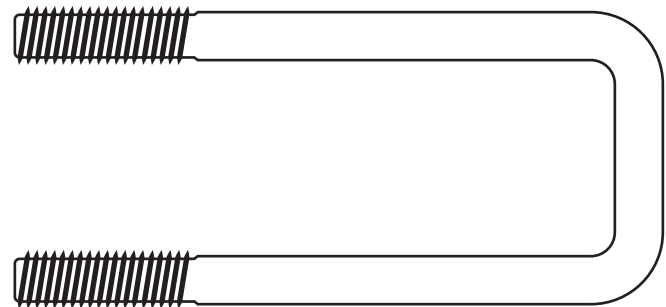
UP77-0029	5/16" Nylock Nut	4	8
-----------	------------------	---	---



UP77-0031	5/16" Steel Washer	8	16
-----------	--------------------	---	----



UP77-0242	1/4" x 3 1/4" Square U-Bolt	12	12
-----------	-----------------------------	----	----



UP77-0243	U-Bolt Plate	12	12
-----------	--------------	----	----



UP77-0001	1/4" Nylock Nut	24	24
-----------	-----------------	----	----



UP77-0005	1/4" Steel Washer	24	24
-----------	-------------------	----	----



ATTENTION! WHEN YOU SEE A "⚠️ WARNING!" BE SURE TO HEED THE MESSAGE! THE INFORMATION CONTAINED IN THESE MESSAGES CAN SAVE YOUR LIFE!



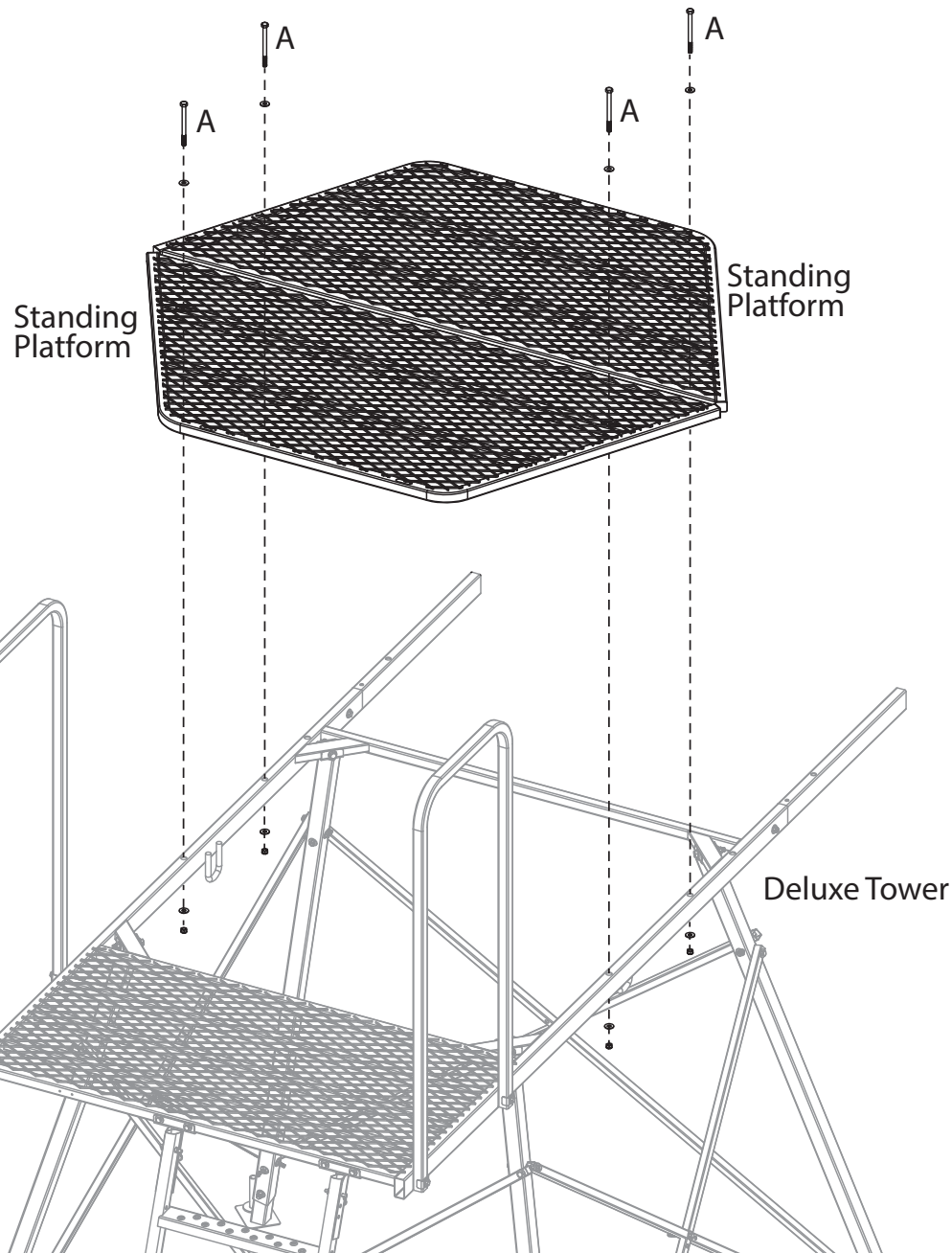
⚠️ WARNING! Scan this QR Code, or visit www.standsafety.org, for an important treestand safety video. You must watch this video in its entirety before using this product.

The following steps are for assembly of HWK-SCFLR Down and Out Scout Floor to Deluxe Tower

- ⚠️ WARNING!** Read **USAGE INSTRUCTIONS & WARNINGS** on pages 2-3 prior to assembly of this product! Failure to follow the instructions on this page and pages 2-3 may result in serious injury or death!
- ⚠️ WARNING!** **DO NOT** over tighten the hardware. Over tightening can lead to structural damage and may negatively affect the performance of your stand. Failure to follow these instructions may result in serious injury or death!

FIG. 1 STEP 1. Attach the **standing platforms** to the **deluxe tower** using (4) 5/16" x 4" hex bolts [A], (8) 5/16" steel washers and (4) 5/16" nylock nuts. Tighten securely.

* Using the 1/4" square U-bolts and hardware secure the Scout Down & Out to the perimeter of the Scout floor. *



READ THIS MANUAL IN ITS ENTIRETY PRIOR TO USING THIS PRODUCT.

This instruction manual complies with the ASTM standard F2123 - Standard Practice for Treestand Instructions.

ATTENTION! WHEN YOU SEE A "⚠️ WARNING!" BE SURE TO HEED THE MESSAGE! THE INFORMATION CONTAINED IN THESE MESSAGES CAN SAVE YOUR LIFE!



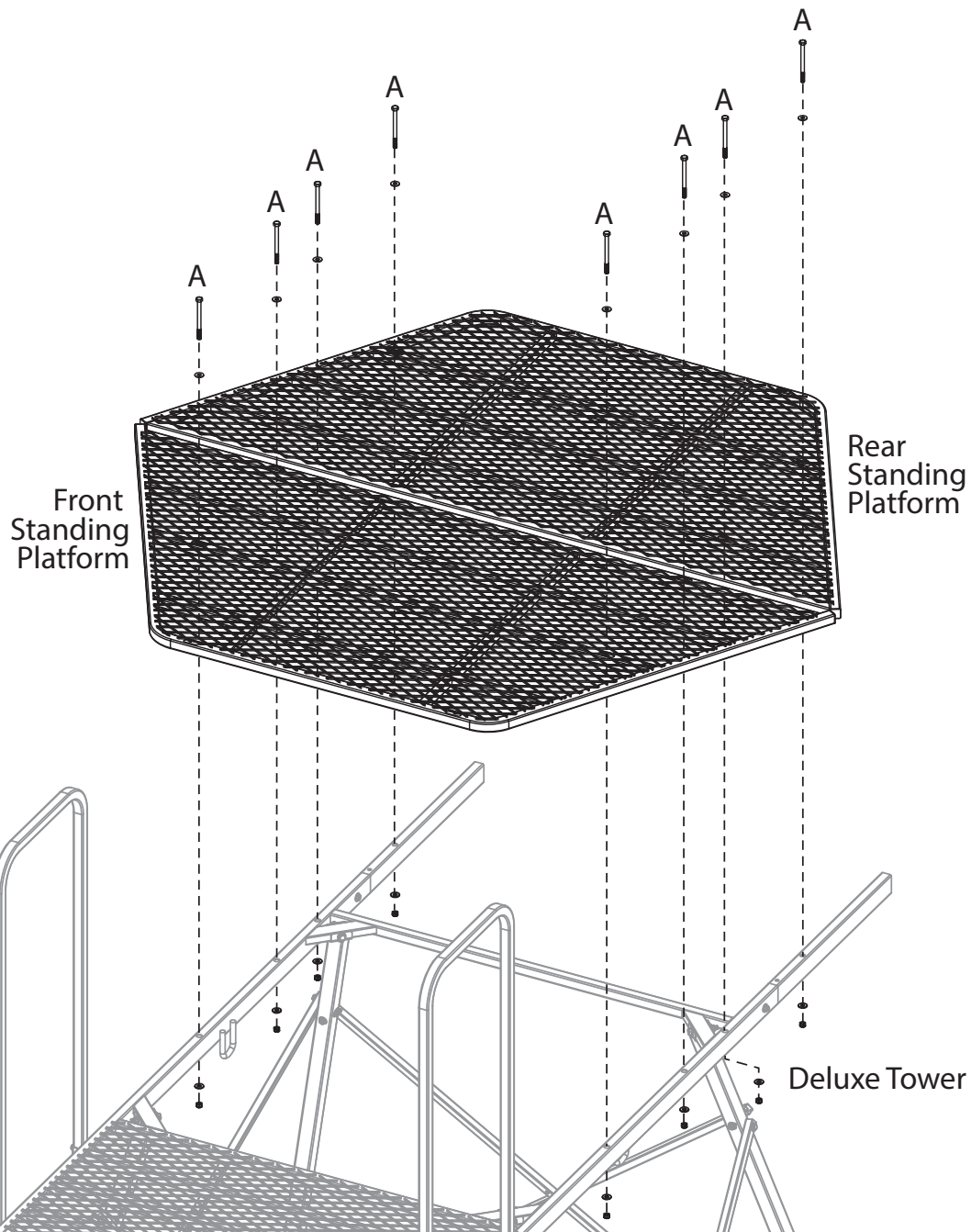
⚠️ WARNING! Scan this QR Code, or visit www.standsafety.org, for an important treestand safety video. You must watch this video in its entirety before using this product.

The following steps are for assembly of HWK-WRFLR Down and Out Warrior Floor to Deluxe Tower

- ⚠️ WARNING!** Read **USAGE INSTRUCTIONS & WARNINGS** on pages 2-3 prior to assembly of this product! Failure to follow the instructions on this page and pages 2-3 may result in serious injury or death!
- ⚠️ WARNING!** **DO NOT** over tighten the hardware. Over tightening can lead to structural damage and may negatively affect the performance of your stand. Failure to follow these instructions may result in serious injury or death!

FIG. 1 STEP 1. Attach the **front and rear standing platforms** to the **deluxe tower** using (8) 5/16" x 4" hex bolts [A], (16) 5/16" steel washers and (8) 5/16" nylock nuts. Tighten securely.

*Using the 1/4" square U-bolts and hardware secure the Warrior Down & Out to the perimeter of the Warrior floor. *



**ATTENTION! WHEN YOU SEE A "⚠️ WARNING!" BE SURE TO HEED THE MESSAGE!
THE INFORMATION CONTAINED IN THESE MESSAGES CAN SAVE YOUR LIFE!**



⚠️ WARNING! Scan this QR Code, or visit www.standsafety.org, for an important treestand safety video. You must watch this video in its entirety before using this product.

NOTES

READ THIS MANUAL IN ITS ENTIRETY PRIOR TO USING THIS PRODUCT.

This instruction manual complies with the ASTM standard F2123 - Standard Practice for Treestand Instructions.



PO Box 535189 • Grand Prairie, TX 75053-5189
(877) 269-8490

www.gsmoutdoors.com



⚠ WARNING! Scan this QR Code, or visit www.standsafety.org, for an important treestand safety video. You must watch this video in its entirety before using this product.