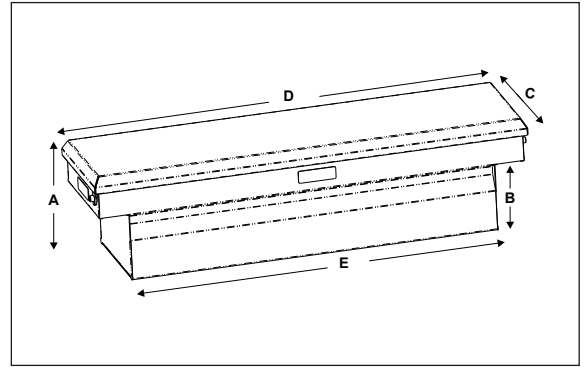


CROSSOVER ALUMINUM TRUCK TOOL BOXES

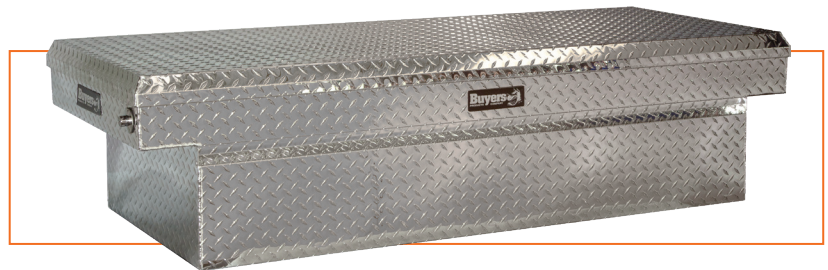
- Soft open lids with powerful gas shocks for smooth operation
- Automotive grade gasket seal shuts weather out
- Locking stainless steel push button latches
- Adjustable steel tray keeps tools organized and locks in place
- Integrated tool holders for screwdrivers and levels



Redesigned for 2020



DIAMOND TREAD



PART NO.	HEIGHT (A/B)	DEPTH (C)	WIDTH (D/E)	CUBIC FEET	LIST	NET EA. 1-2	NET EA. 3-9	NET EA. 10-24	NET EA. 25-49	NET EA. 50+	PROD. CAT.	WT.
1709410*	18/11	20	71/60	11	699.99	496.70	484.59	472.77	461.24	449.99	530	75 lbs.
1709415*	23/16	20	71/60	14.2	799.99	562.93	549.20	535.81	522.74	509.99	530	81 lbs.
1709420*	18/11	27	71/60	15	789.99	570.12	556.21	542.65	529.41	516.99	530	89 lbs.
1709425*	23/16	27	71/60	19	899.99	618.12	603.05	588.34	573.99	559.99	530	94 lbs.
1709430*	13/6	20	63/54	8.8	649.99	485.67	473.82	462.26	450.99	439.99	530	63 lbs.

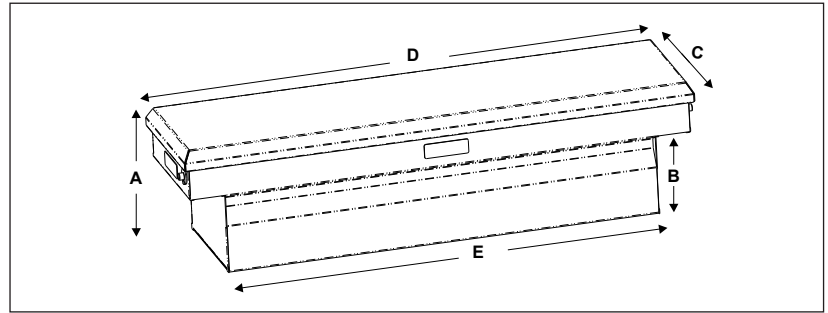
* **NEW** PRODUCTS

Pricing is consistent with current market conditions and is subject to change without notice. Please login to your account to see the most current pricing.

9049 Tyler Blvd. • Mentor, Ohio 44060
Phone (440) 974-8888 • Fax (800) 841-8003
Email: orders@buyersproducts.com

For more information visit www.buyersproducts.com





BLACK DIAMOND TREAD



PART NO.	HEIGHT (A/B)	DEPTH (C)	WIDTH (D/E)	CUBIC FEET	LIST	NET EA. 1-2	NET EA. 3-9	NET EA. 10-24	NET EA. 25-49	NET EA. 50+	PROD. CAT.	WT.
1729410*	18/11	20	71/60	11	739.99	551.90	538.43	525.30	512.49	499.99	530	75 lbs.
1729415*	23/16	20	71/60	14.2	839.99	618.12	603.05	588.34	573.99	559.99	530	81 lbs.
1729420*	18/11	27	71/60	15	829.99	625.85	610.59	595.69	581.16	566.99	530	89 lbs.
1729425*	23/16	27	71/60	19	939.99	673.31	656.89	640.87	625.24	609.99	530	94 lbs.
1729430*	13/6	20	63/54	8.8	689.99	540.86	527.67	514.80	502.24	489.99	530	63 lbs.

TEXTURED MATTE BLACK DIAMOND TREAD



PART NO.	HEIGHT (A/B)	DEPTH (C)	WIDTH (D/E)	CUBIC FEET	LIST	NET EA. 1-2	NET EA. 3-9	NET EA. 10-24	NET EA. 25-49	NET EA. 50+	PROD. CAT.	WT.
1739410*	18/11	20	71/60	11	739.99	551.90	538.43	525.30	512.49	499.99	530	75 lbs.
1739415*	23/16	20	71/60	14.2	839.99	618.12	603.05	588.34	573.99	559.99	530	81 lbs.
1739420*	18/11	27	71/60	15	829.99	625.85	610.59	595.69	581.16	566.99	530	89 lbs.
1739425*	23/16	27	71/60	19	939.99	673.31	656.89	640.87	625.24	609.99	530	94 lbs.
1739430*	13/6	20	63/54	8.8	689.99	540.86	527.67	514.80	502.24	489.99	530	63 lbs.

* **NEW** PRODUCTS

Pricing is consistent with current market conditions and is subject to change without notice. Please login to your account to see the most current pricing.

9049 Tyler Blvd. • Mentor, Ohio 44060
 Phone (440) 974-8888 • Fax (800) 841-8003
 Email: orders@buyersproducts.com

For more information visit www.buyersproducts.com

