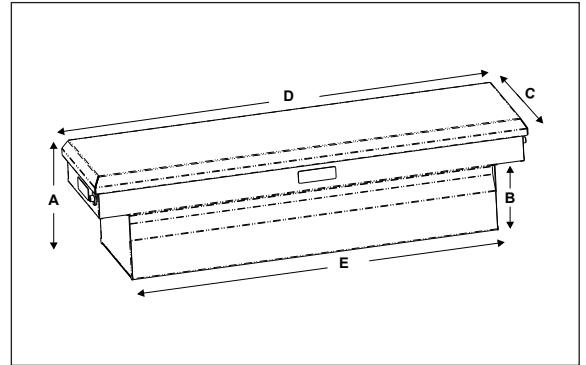


# CROSSOVER ALUMINUM TRUCK TOOL BOXES

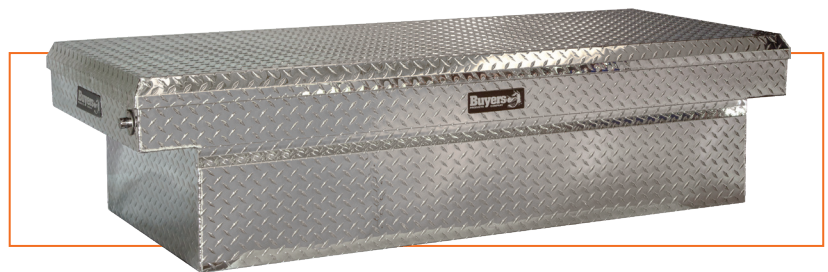
- Soft open lids with powerful gas shocks for smooth operation
- Automotive grade gasket seal shuts weather out
- Locking stainless steel push button latches
- Adjustable steel tray keeps tools organized and locks in place
- Integrated tool holders for screwdrivers and levels



**Redesigned for 2020**



## DIAMOND TREAD



PART NO.	HEIGHT (A/B)	DEPTH (C)	WIDTH (D/E)	CUBIC FEET	LIST	NET EA. 1-2	NET EA. 3-9	NET EA. 10-24	NET EA. 25-49	NET EA. 50+	PROD. CAT.	WT.
1709410*	18/11	20	71/60	11	<b>699.99</b>	496.70	484.59	472.77	461.24	449.99	530	75 lbs.
1709415*	23/16	20	71/60	14.2	<b>799.99</b>	562.93	549.20	535.81	522.74	509.99	530	81 lbs.
1709420*	18/11	27	71/60	15	<b>789.99</b>	570.12	556.21	542.65	529.41	516.99	530	89 lbs.
1709425*	23/16	27	71/60	19	<b>899.99</b>	618.12	603.05	588.34	573.99	559.99	530	94 lbs.
1709430*	13/6	20	63/54	8.8	<b>649.99</b>	485.67	473.82	462.26	450.99	439.99	530	63 lbs.

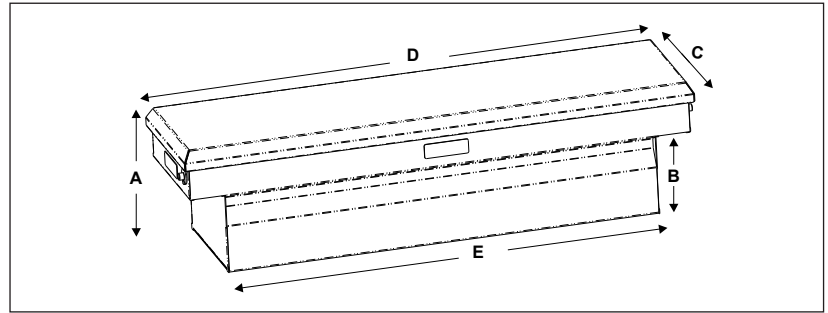
\* **NEW** PRODUCTS

Pricing is consistent with current market conditions and is subject to change without notice. Please login to your account to see the most current pricing.

9049 Tyler Blvd. • Mentor, Ohio 44060  
Phone (440) 974-8888 • Fax (800) 841-8003  
Email: [orders@buyersproducts.com](mailto:orders@buyersproducts.com)

For more information visit [www.buyersproducts.com](http://www.buyersproducts.com)





## BLACK DIAMOND TREAD



PART NO.	HEIGHT (A/B)	DEPTH (C)	WIDTH (D/E)	CUBIC FEET	LIST	NET EA. 1-2	NET EA. 3-9	NET EA. 10-24	NET EA. 25-49	NET EA. 50+	PROD. CAT.	WT.
1729410*	18/11	20	71/60	11	<b>739.99</b>	551.90	538.43	525.30	512.49	499.99	530	75 lbs.
1729415*	23/16	20	71/60	14.2	<b>839.99</b>	618.12	603.05	588.34	573.99	559.99	530	81 lbs.
1729420*	18/11	27	71/60	15	<b>829.99</b>	625.85	610.59	595.69	581.16	566.99	530	89 lbs.
1729425*	23/16	27	71/60	19	<b>939.99</b>	673.31	656.89	640.87	625.24	609.99	530	94 lbs.
1729430*	13/6	20	63/54	8.8	<b>689.99</b>	540.86	527.67	514.80	502.24	489.99	530	63 lbs.

## TEXTURED MATTE BLACK DIAMOND TREAD



PART NO.	HEIGHT (A/B)	DEPTH (C)	WIDTH (D/E)	CUBIC FEET	LIST	NET EA. 1-2	NET EA. 3-9	NET EA. 10-24	NET EA. 25-49	NET EA. 50+	PROD. CAT.	WT.
1739410*	18/11	20	71/60	11	<b>739.99</b>	551.90	538.43	525.30	512.49	499.99	530	75 lbs.
1739415*	23/16	20	71/60	14.2	<b>839.99</b>	618.12	603.05	588.34	573.99	559.99	530	81 lbs.
1739420*	18/11	27	71/60	15	<b>829.99</b>	625.85	610.59	595.69	581.16	566.99	530	89 lbs.
1739425*	23/16	27	71/60	19	<b>939.99</b>	673.31	656.89	640.87	625.24	609.99	530	94 lbs.
1739430*	13/6	20	63/54	8.8	<b>689.99</b>	540.86	527.67	514.80	502.24	489.99	530	63 lbs.

\* **NEW** PRODUCTS

Pricing is consistent with current market conditions and is subject to change without notice. Please login to your account to see the most current pricing.

9049 Tyler Blvd. • Mentor, Ohio 44060  
 Phone (440) 974-8888 • Fax (800) 841-8003  
 Email: orders@buyersproducts.com

For more information visit [www.buyersproducts.com](http://www.buyersproducts.com)

