

PUR®

Under Sink Universal Reverse Osmosis Filtration Systems

Owner's Manual PUN3RO PUN4RO



C US

Table of Contents:

Safety Precautions	1	* Mounting the Ball Valve Onto Storage Tank	9
Conditions for Operation	1	* Connecting the Water Lines	9
Package Contents	2	* Connecting the Tubes Using Quick-Connect Fittings ...	10
Tools Required for Installation	2	* Refrigerator Hook-up (Optional)	10
System Layout and Components	3 - 4	Start-up Instructions.....	10
Installation Instructions.....	5 - 10	Periodic System Maintenance.....	11
* Connecting to Cold Water Line.....	5	Annual Maintenance	12
* Drilling the Faucet Hole	5	RO Membrane Replacement.....	13
* Installing the Air Gap Faucet.....	6	GAC Polishing Filter Replacement (PUN4RO only)	13
* Installing the Saddle Drain Clamp.....	7	Troubleshooting Guide.....	14
* Installing the Membrane Into Its Housing.....	7	Performance Data Sheet.....	15 - 16
* Installing the Filter Cartridges	8	Replacement Parts List.....	17 - 18
* Mounting RO Unit Under Sink	9	Warranty.....	19

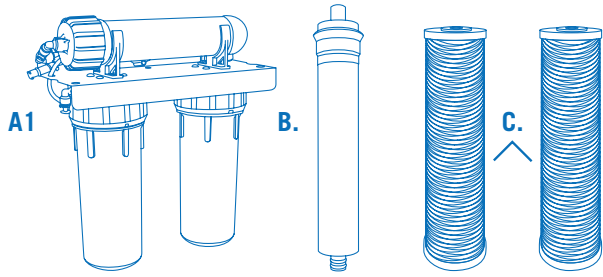
Safety Precautions:

- You must follow the guidelines to install this system. Check with your Province/State and local public works department for plumbing and sanitation codes.
- If house water line pressure is over the maximum 100 psi (pounds per square inch), install a pressure regulator in the water supply line before this system.
- System is for cold water use only and must be protected against freezing, which can damage the unit and cause water leakage.
- Do not use with water that is microbiologically unsafe or of unknown quality without adequate disinfection before or after the system.
- Make sure the water supply conforms to the specification guidelines. If the water supply conditions are unknown, consult your local municipal water company or health department about the quality and the list of contaminants in your local water supply.
- When using the system for the first time, or after prolonged non-use (such as a vacation longer than one week), the system should be flushed thoroughly.
- This system contains replaceable filter cartridges with a limited service life.

Conditions for Operation:

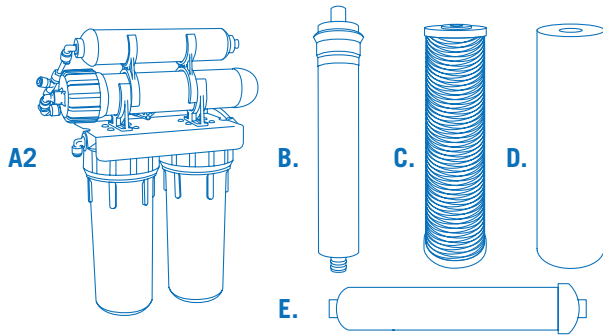
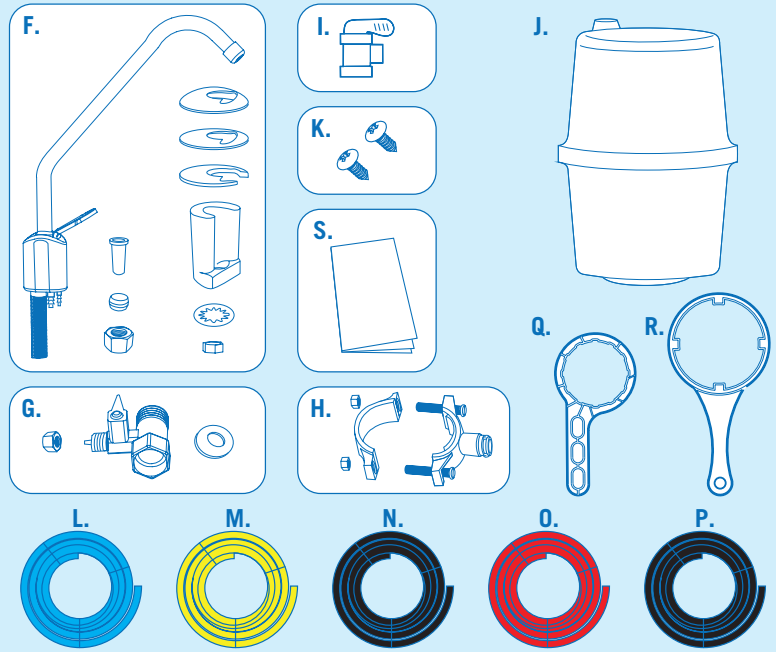
Supply Water Pressure Limits	40 - 100 psi (276-689 kPa)
Supply Water Temperature Limits	40 - 113°F (4.4 -45°C)
Maximum Water pH Limits	4-10
Maximum Total Dissolved Solids (TDS)	2,000 ppm
Maximum Water Hardness at 6.9 pH	10 gpg
Maximum Iron / Manganese / Hydrogen Sulfide	0.2/0/0 mg/L
Maximum Chlorine in Supply Water	2.0 ppm
Automatic shut-off control	Yes

Package Contents:



PUN3RO

Item	Description	QTY
A1	Unit Assembly	1
B	Reverse Osmosis Membrane	1
C	Carbon Block Filter	2



PUN4RO

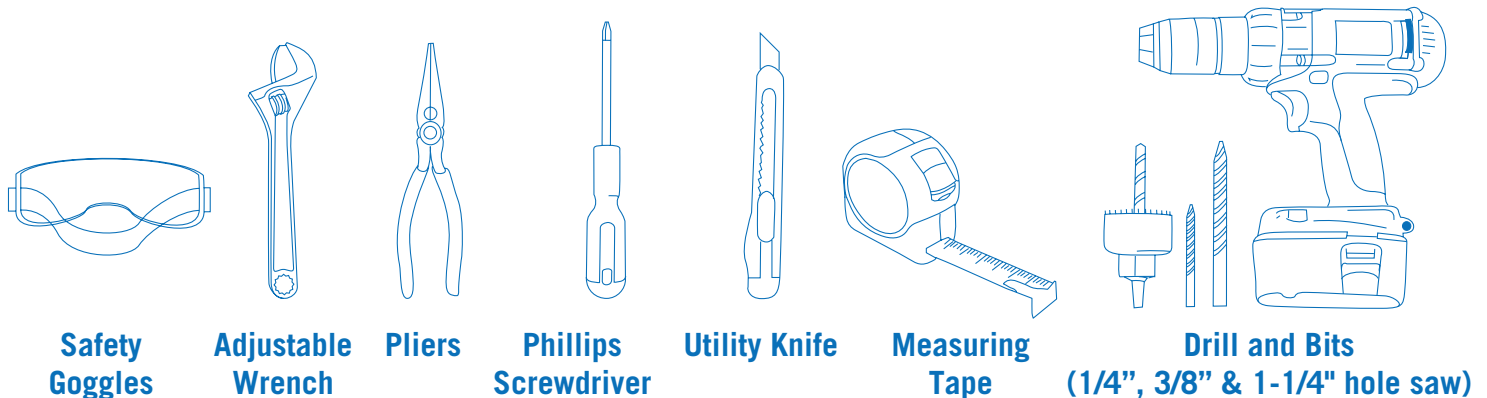
Item	Description	QTY
A2	Unit Assembly	1
B	Reverse Osmosis Membrane	1
C	Carbon Block Filter	1
D	Sediment Filter	1
E	Granular Activated Carbon (GAC) Polishing Filter	1



ACCESSORIES KIT

Item	Description	QTY
F	Air Gap Faucet Set	1
G	Inlet Valve Set	1
H	Saddle Drain Clamp Set	1
I	Tank Ball Valve	1
J	Storage Tank	1
K	Mounting Screw	2
L	6' of 1/4" Blue Tubing	1
M	6' of 1/4" Yellow Tubing	1
N	6' of 1/4" Black Tubing	1
O	6' of 1/4" Red Tubing	1
P	6' of 3/8" Black Tubing	1
Q	RO Sump Wrench	1
R	Filter Sump Wrench	1
S	Installation, Use & Care Guide	1

Tools Required for Installation:



Safety Goggles

Adjustable Wrench

Pliers

Phillips Screwdriver

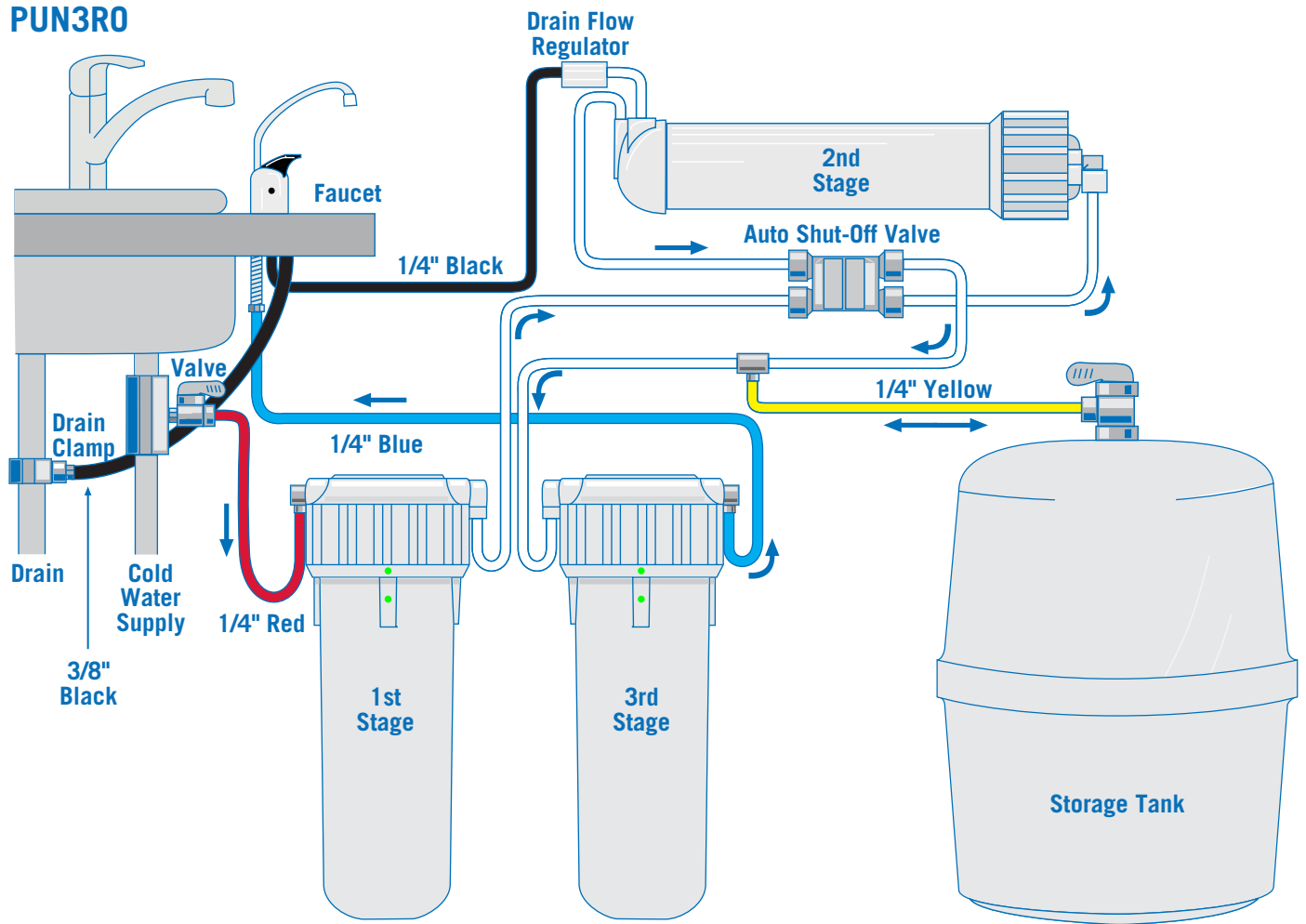
Utility Knife

Measuring Tape

Drill and Bits (1/4", 3/8" & 1-1/4" hole saw)

Reverse Osmosis System Layout and Components:

PUN3RO

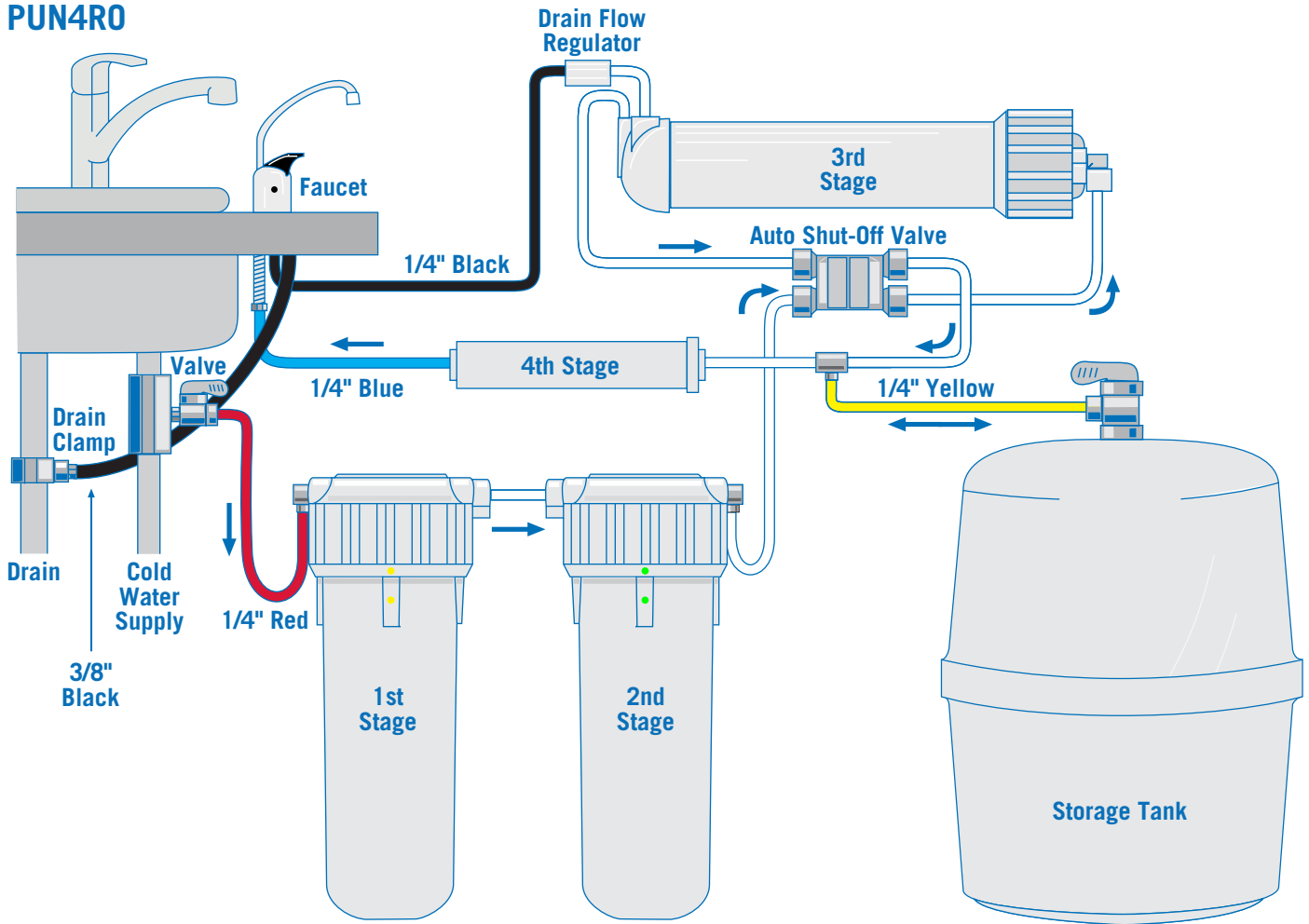


Replacement Parts

Filter Stage	Part Number	Description	Service Life	Filter Color Code
1st	PUNCRB	Carbon Block Filter	6 Months	Green Dot
2nd	PUNROM	Reverse Osmosis Membrane	24 Months	N/A
3rd	PUNCRB	Carbon Block Filter	6 Months	Green Dot

Reverse Osmosis System Layout and Components (continued):

PUN4RO



Replacement Parts

Filter Stage	Part Number	Description	Service Life	Filter Color Code
1st	PUNSED	Sediment Filter	6 Months	Yellow Dot
2nd	PUNCRB	Carbon Block Filter	6 Months	Green Dot
3rd	PUNROM	Reverse Osmosis Membrane	24 Months	N/A
4th	PROPF	Granular Activated Carbon (GAC) Polishing Filter	6 Months	N/A

Installation Instructions:

Connecting to Cold Water Line (See Figure 1 and 2):

CAUTION: The water supply to your unit MUST be from the COLD WATER LINE. Hot water will damage your filtration system.

1. Turn off the cold water supply by turning off the shut-off valve under the sink. If the cold water line does not have a shut-off valve under the sink, turn off the main water line in the house. Place a tray or towel under the cold water line to catch any excess water.
2. Turn on the cold water faucet and allow all the water to drain from the line. On a single handle faucet, the hot water may have to be turned off to prevent any hot water cross over.
3. Loosen nut and separate cold water braided flex line from the kitchen cold water faucet shank. Attach Inlet Valve to the faucet shank using the Rubber Washer. Reinstall the flex line onto the Inlet Valve and tighten with an adjustable wrench.
4. Insert 1/4" Red Tubing over the Guide Tube of the Inlet Valve. Tighten the Compression Nut with an adjustable wrench.

Drilling the Faucet Hole (See Figure 3):

The Drinking Water Faucet should be positioned with function, convenience and appearance in mind. An adequate flat area is required to allow the Faucet to rest securely. Check the underside of the location for interference. Most sinks have a pre-drilled 1-1/4" diameter hole designed for spray hoses. The Drinking Water Faucet may be installed using this hole. If the pre-drilled hole cannot be used, or is in an inconvenient location, it will be necessary to drill a 1-1/4" hole in the sink or through the countertop next to the sink for the Faucet.

CAUTION: Do not drill through a countertop that is more than 1" thick.
CAUTION: Do not attempt to drill through a tiled, marble, granite or similar countertop. Consult a plumber or the countertop manufacturer for advice or assistance

CAUTION: When drilling through a countertop make sure the area below the drilling area is free of wiring and piping. Make certain that you have ample room to make the proper connection to the bottom of the Faucet.

CAUTION: Do not attempt to drill through an all-porcelain or porcelain-coated sink. For applications on these types of sinks we recommend using the sprayer hole or mounting the Faucet through the countertop. Otherwise consult a plumber or manufacturer for advice or assistance.

1. Line the bottom of the sink with newspaper to prevent shavings, parts, or tools from falling down the drain.
2. Place masking tape over the area to be drilled to help prevent scratches if drill bit slips.
3. Mark point with a center punch. Use a 1/4" drill bit to drill a pilot hole.
4. Use a 1-1/4" hole saw to enlarge the hole. Smooth rough edges with a file.

Figure 1

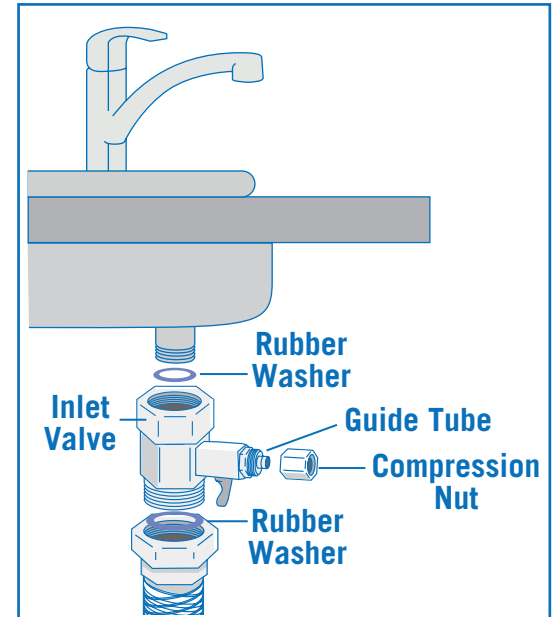


Figure 2

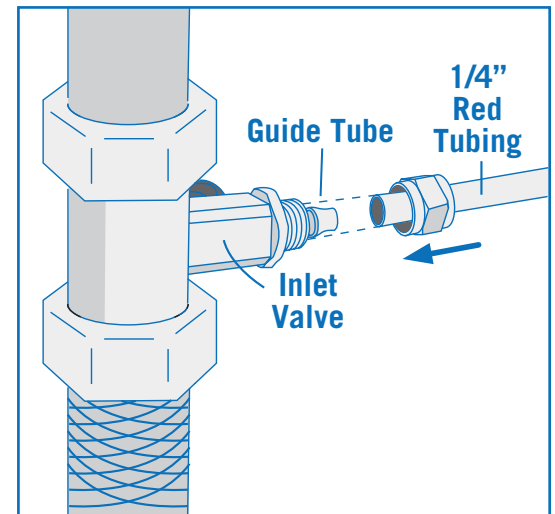
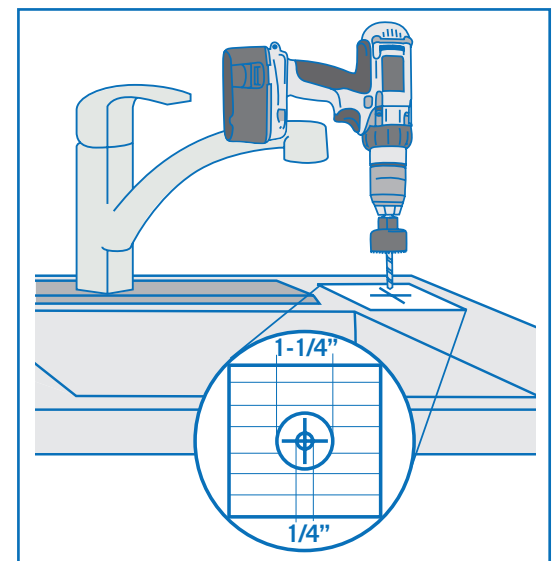


Figure 3



Installation Instructions (continued):

Installing Air Gap Faucet (See Figure 4, 5 and 6):

CAUTION: The use of an Air Gap Faucet is generally required by plumbing code in US and Canada. Ensure installation meets all necessary plumbing codes in your location. The Air Gap Faucet will prevent waste water from contaminating the RO filters if there is a blockage in the drain line.

1. Remove Stem Nut on the Faucet.
2. Slide the Chrome Plate and Black Rubber Washer onto the Faucet Stem.
3. Connect the 1/4" Black Drain Tube up to the 1/4" fitting on the Air Gap Faucet.
4. Then connect the 3/8" Black Tubing to the 3/8" fitting on the Air Gap Faucet.

NOTE: Make sure the tubing is pushed all the way to the end of the fitting.

NOTE: The 3/8" Black Drain Tube goes by gravity feed to the Saddle Drain Clamp connection. Make sure there are no kinks, loops, or sharp bends in the 3/8" black tubing. Failure to make a straight line to the drain may result in reject water leaking through the air gap in the faucet onto the countertop or below the faucet.

5. The Chrome Plate, Rubber Washer and Faucet Body are installed above the sink or countertop.
6. Feed the 3/8" and 1/4" Black Tubing through the pre-drilled hole in the sink/counter.
7. Place the Faucet through the drilled faucet hole, then add Spacer, Securing Plate, Star Lock Washer and Stem Nut.
8. Tighten Stem Nut firmly while aligning the Faucet in the desired location.
9. Gently slide Faucet Compression Nut down over the 1/4" Blue Tubing, followed with the Ferrule. Then push the Insert into the end of the Tubing.
10. Firmly push the Tubing into the stem of Faucet until it stops. Hand-screw the Compression Nut onto the threads of the stem. Tighten with a wrench.

Figure 4

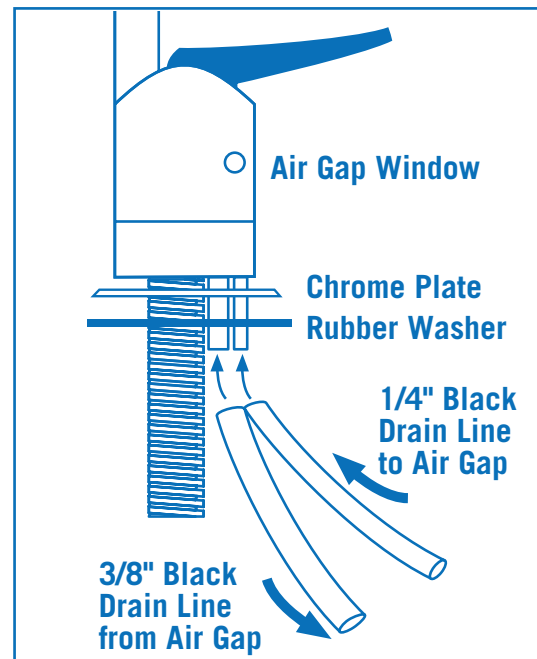


Figure 5

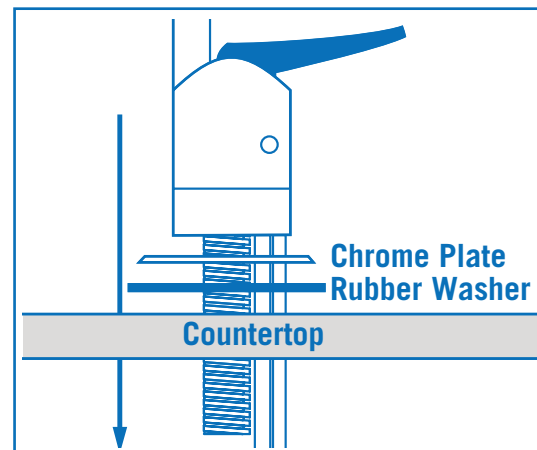
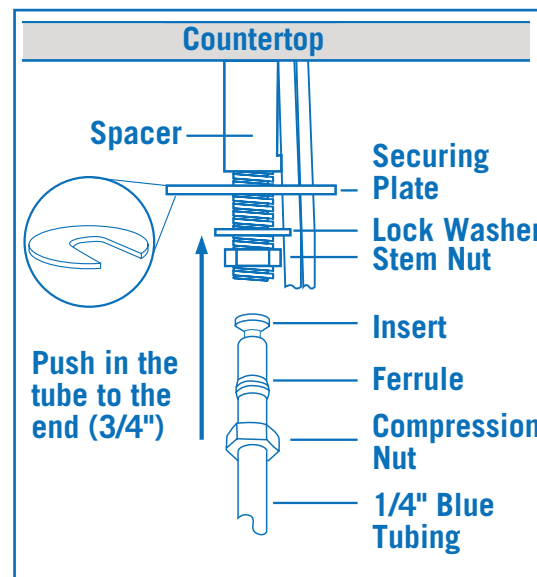


Figure 6



Installation Instructions (continued):

Installing the Saddle Drain Clamp (See Figure 7 and 8):

1. Attach the Saddle Drain Clamp to the vertical section of the drain pipe, about 2 inches above the drain trap.
2. Using the fittings hole of the Saddle Drain Clamp as a guide, drill a 1/4" hole through one side of the drainpipe.

CAUTION: Do not penetrate through the opposite side of the pipe.

3. Remove the Drain Clamp from the drainpipe and enlarge the hole with a 3/8" drill bit. Use a file to remove rough edges from the drilled hole.
4. Squarely cut the end of the 3/8" Black Tube. Insert the Tube through the Saddle Drain Clamp quick-connect fitting about 1" past the inside wall of the Saddle Drain Clamp.
5. Make sure the Black Rubber Gasket is adhered to the inside wall of the Saddle Drain Clamp and place the Saddle Drain Clamp assembly over the drainpipe. Insert 3/8" black tube into the drilled hole. Tighten the Clamp.

CAUTION: Do not overtighten the screws, it may crack the Clamp.

CAUTION: The 3/8" Black Drain Tube must be as SHORT and STRAIGHT as possible to the Saddle Drain Clamp, making a downward slope from the faucet to the Saddle Drain Clamp to allow for proper drainage. This is a gravity fed line and if there is any bend or dip in the Tubing, the rinse water will not flow into the drain properly. Water may back up and come out the Air Gap Hole in the Faucet.

Figure 7

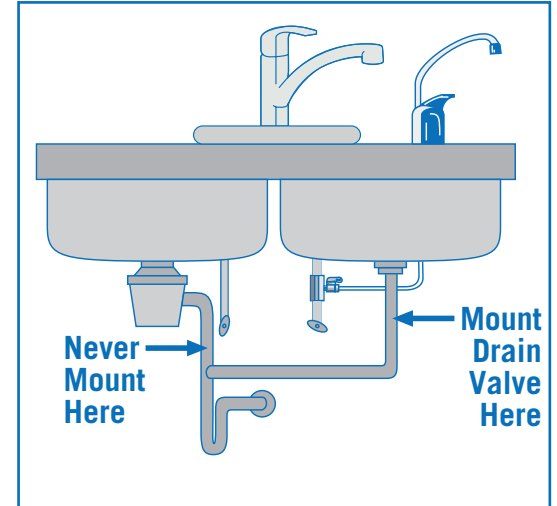
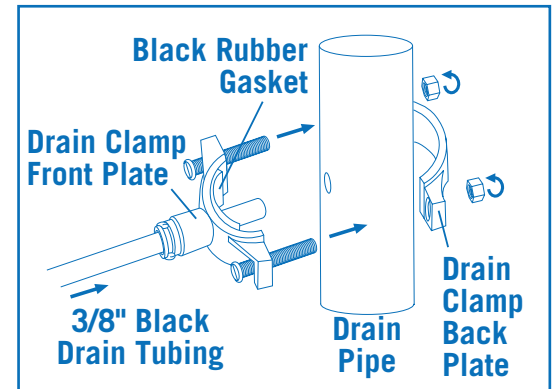


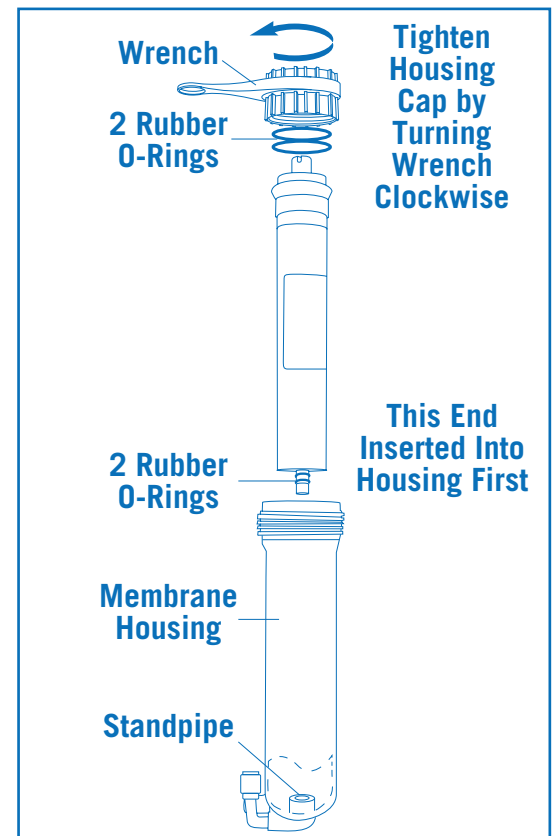
Figure 8



Installing the Membrane into the Membrane Housing (See Figure 9):

1. Remove the tube connection from the RO membrane cap.
2. Loosen the cap by using the wrench provided in a counter-clockwise direction.
3. Lubricate the O-rings on the new membrane with water. Insert the end with the two black O-rings first onto the standpipe within the filter housing.
4. Once the membrane has been inserted into the housing give a firm push to properly seat the membrane.
5. Check to see that the O-ring is in the cap properly seated. Replace the membrane housing cap and using the supplied wrench tighten in a clockwise direction.

Figure 9



Installation Instructions (continued):

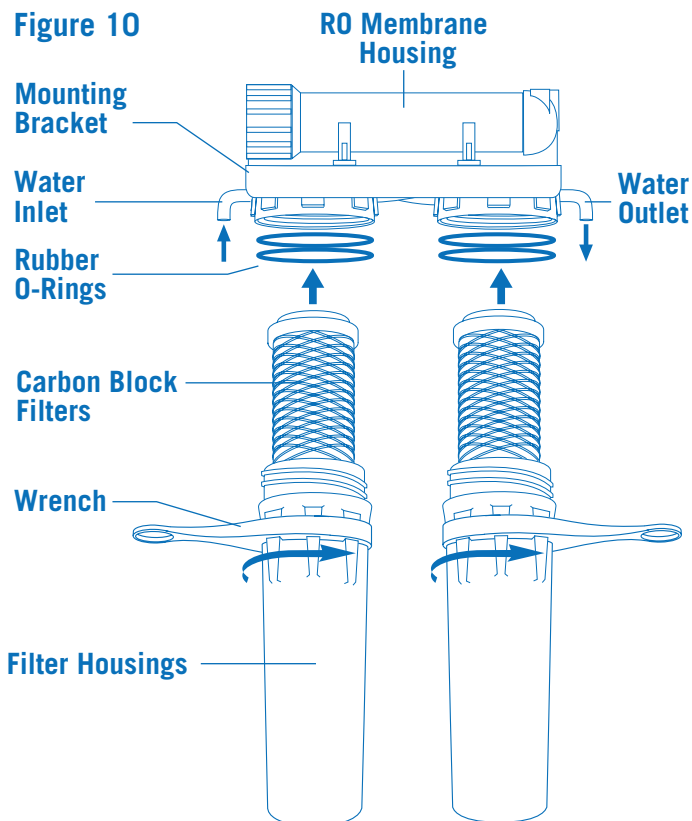
Installing the Filter Cartridges and Filter Housing Assembly (See Figure 10 or 11):

CAUTION: You must keep the filters and filter housing upright during assembly for maximum performance.

PUN3RO

1. Insert a Carbon Block Filter into the 1st filter housing bowl, which is the one on the water inlet side (red tubing) of the RO system, and install housing bowl onto the housing head by screwing in a counter-clockwise direction. Tighten using the wrench supplied.
2. Insert a Carbon Block filter into second housing bowl and screw the housing bowl onto the housing head by rotating in a counter-clockwise direction. Tighten using the supplied wrench.

NOTE: Make sure the seal marks on the head and bowl are aligned.

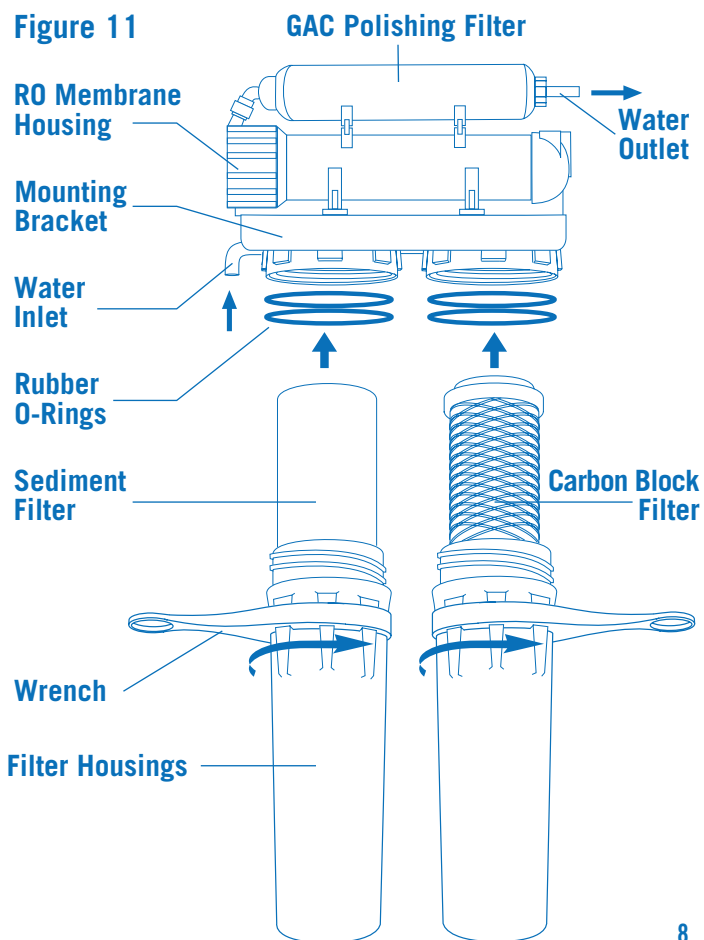


PUN4RO

1. Insert a Sediment Filter (cloth like appearance) into the 1st filter housing bowl, which is the one on the water inlet side (red tubing) of the RO system, and install housing bowl onto the housing head by screwing in a counter-clockwise direction. Tighten using the wrench supplied.
2. Insert a Carbon Block filter into second housing bowl and screw the housing bowl onto the housing head by rotating in a counter-clockwise direction. Tighten using the supplied wrench.

NOTE: Make sure the seal marks on the head and bowl are aligned.

CAUTION: When looking at the system from the front, the sediment filter must be on the left and the carbon block filter must be on the right.

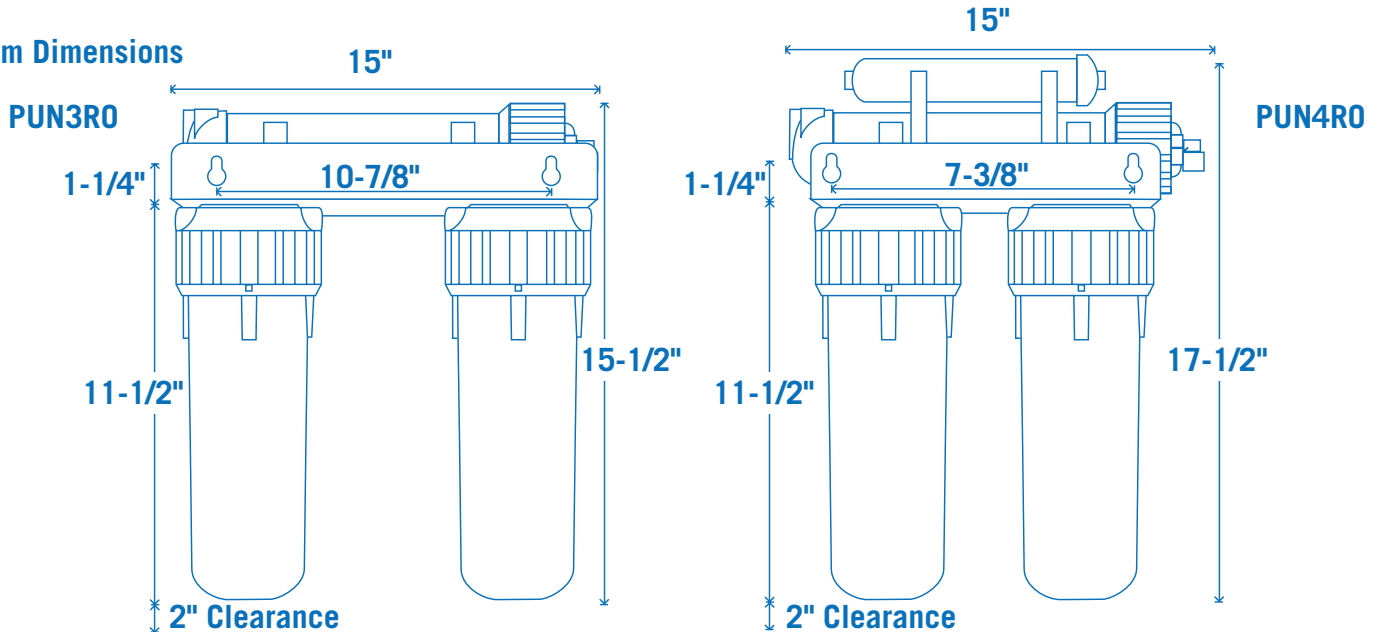


Installation Instructions (continued):

Mounting the RO Unit Under the Sink:

1. Position the RO unit on the back or right walls under the sink. Make sure to allow ample space for the installation and plumbing connections. To change the filter cartridges, 2" of clearance is required underneath the filter housings.
2. Install mounting screws at least 15-3/4" from cabinet floor. Leave 1/4" space between the head of the screw and the wall to slip bracket onto the screws. Then tighten the screws to secure the system.

System Dimensions



Mounting the Ball Valve Onto Storage Tank (See Figure 12 and 13):

1. Connect the Ball Valve to the water Storage Tank thread on the upper side of the Tank. Make sure the Black Rubber Gasket sits flat. Tighten the valve but do not overtighten.
2. Connect the 1/4" Yellow Tubing to the Ball Valve. Push the Tubing in all the way to make sure it is properly seated.
3. Turn the Ball Valve off.

Connecting the Water Lines:

CAUTION: Before cutting the supplied tubing, measure the distance between the components.

All Tubing is color-coded for ease of installation.

- 1/4" Black:** Connects the waste water from the RO Membrane to the Air Gap Faucet Intake Line.
- 1/4" Red:** Connects the Inlet Valve of the cold water supply to the inlet of the system.
- 1/4" Yellow:** Connects the RO Membrane to the Storage Tank.
- 1/4" Blue:** Connects the outlet of the system to the Faucet.
- 3/8" Black:** Connects the Faucet to the Saddle Drain Clamp.

Note: Reference the diagram on page 3 or 4 for color and connection points on the RO System.

Figure 12

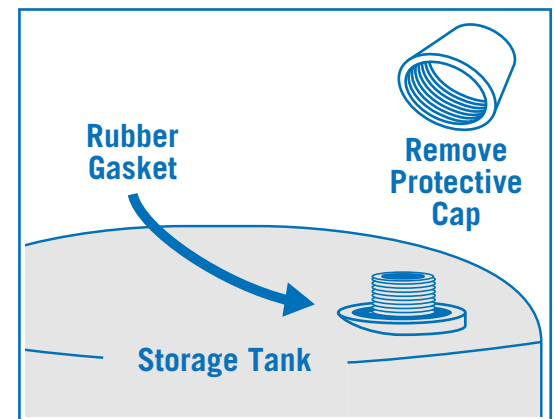
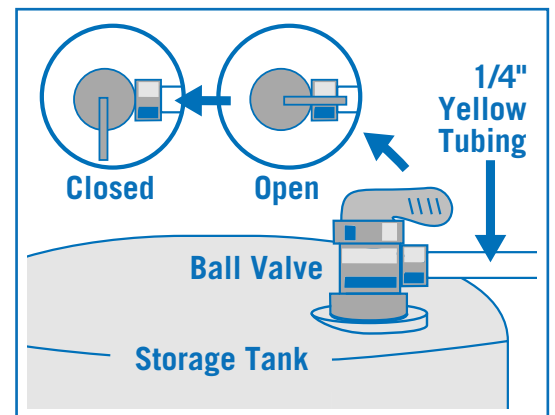


Figure 13



Installation Instructions (continued):

Connecting the Tubes Using Quick-Connect Fittings (See Figure 14, 15 and 16):

Each plumbing connection point has a Colored Plug to match the color of the tubing for simple installation reference. Discard plugs after the tubing has been installed.

Quick-connect fittings are used throughout the system. To ensure an optimal seal, tubing should be cut with the end square. An angled cut or distortion of the tubing will not provide a proper seal and may cause leaks.

1. Remove the Blue Horseshoe Clip from the Collet.
2. Pull out and discard the Colored Plug by pushing the Collet inward and holding with your fingers.
3. Insert Tubing into the Collet. Full engagement is 11/16" length of the Tubing into the Fitting for 1/4" Tubing, and 3/4" length for 3/8" Tubing.

NOTE: Ensure the Tubing is pushed all the way into the backstop.

4. Re-install the Blue Horseshoe Clip into the Collet.

Figure 14

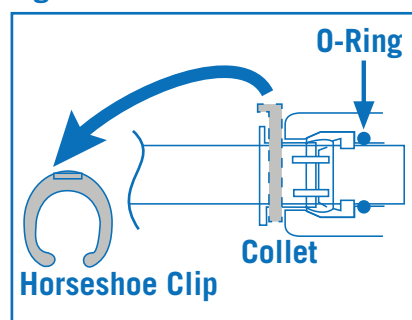


Figure 15

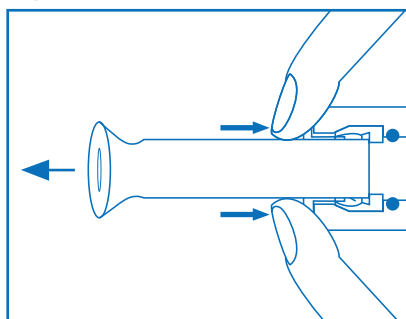
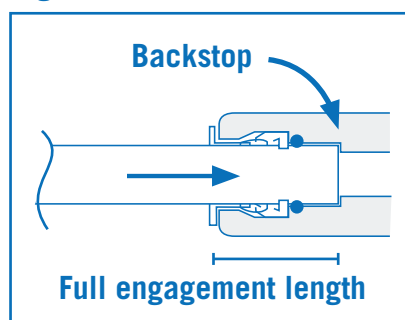


Figure 16



Refrigerator Hook-Up (optional):

Install 1/4" polypropylene plastic tubing if your refrigerator is within 25 ft. of your RO unit. Do not use copper tubing for RO product water. If the refrigerator is over 25 ft from the RO Unit it is recommended to use 3/8" tubing. Install a tee in the blue tubing between the outlet of the system and the faucet. It is recommended to install a ball valve in the line to your ice maker to allow pressure to increase sufficiently in the storage tank for the ice maker solenoid valve to operate properly. Leave the ball valve in the closed position until the tank is full after the start-up procedure is completed.

Start-up Instructions:

NOTE: If you have connected your RO system to a refrigerator/ice maker, make sure the ice maker is off. Do not allow water to flow to the ice maker until flush is complete and the tank has been allowed to fill completely. Connection from the RO to the icemaker system should have an inline valve installed before the icemaker so it can easily be closed to prevent water flowing to the ice maker during start-up and periodic maintenance. Your RO tank must be allowed to fill up fully for the ice maker system to work properly.

1. Turn Inlet Valve and Storage Tank Ball Valve both in open position.
2. Ensure the RO Faucet is closed.
3. Slowly open the cold water supply valve that you closed at the beginning of the installation process.
4. Water pressure will start to build up in the RO system in about 2 hours as pressure builds in the Storage Tank. Carefully inspect all Fittings and Connections. Check for leaks and fix if any are found.
5. You must fill and purge a minimum of 2 tanks of RO water before it is ready for consumption.
6. After purging, your RO system is ready for use.

NOTE: You will not have filtered water immediately. It will take 2 hours to completely fill the Storage Tank to create liberal flow from the RO Faucet.

Periodic System Maintenance:

Depending on which model was purchased the chart below will assist with replacement of filters. The replacement filter can be obtained online at www.ghpgroupinc.com or at the retail store where the system was purchased.

Model #	Filter Replacement Kit <i>Replace every 6 months</i>	RO Membrane <i>Replace every 24 months</i>
PUN3RO	PUNCRBKIT (contains: 2x PUNCRB)	PUNROM
PUN4RO	PUN4ROKIT (contains: 1x PUNCRB, 1x PUNSED, 1x PROPF)	PUNROM

CAUTION: Failure to replace the carbon filter annually will damage the RO Membrane when on a chlorinated water supply.

NOTE: Use the Filter wrench supplied with RO system.

1. Turn off the incoming water supply to the RO by turning the Inlet Valve clockwise until it stops.
2. Close the Ball Valve of the storage tank.
3. Open the RO faucet and allow water to drain to release system pressure.

NOTE: Water may be saved in a container for drinking or to rinse system parts.

4. For more leverage you may leave the RO unit attached to the wall of the cabinet. If you are unable to access the unit while it is mounted, move it prior to changing filters. Starting with the filter housing stage 1, remove it by turning it clockwise (left), empty water, then discard filter. Continue on the 2nd housing (Stage 2).
5. Clean the filter housings bowls with a mild soap solution and rinse with water. Check the O-ring and lubricate with water only. Do not use petroleum based lubricants such as Vaseline.

NOTE: Before re-installing the filter bowls back on the system, check O-rings to make sure they still are in place.

For Model PUN3RO:

1. Insert a new Carbon Block Filter PUNCRB (white end cap and plastic netting) into the 1st filter housing which is the one on the water inlet side of the RO system and re-install housings to the head. Tighten with the supplied wrench.
2. Insert a new Carbon Block Filter PUNCRB (white end cap and plastic netting) into 2nd filter housing and re-install housings to the head. Tighten with the supplied wrench.

Continue to Step 6.

For Model PUN4RO:

1. Insert a new Sediment Filter PUNSED (cloth like appearance) into the 1st filter housing which is the one on the water inlet side (red tubing) of the RO system and re-install housings to the head. Tighten with the supplied wrench.
2. Insert a new Carbon Block filter PUNCRB (white end cap and plastic netting) into 2nd filter housing and re-install housings to the head. Tighten with the supplied wrench.

Continue to Step 6.

6. Turn water supply on by turning the inlet valve counter-clockwise.
7. Open the RO Faucet and leave open until water begins to trickle out (it will come out very slowly). Allow to drip for 15 minutes
8. Close the RO Faucet.
9. Open the storage tank ball valve. The reverse osmosis water filtration system is ready for use!

Annual Maintenance:

NOTE: Sanitizing of unit is recommended.

1. Perform steps 1 through 5 in the Periodic System Maintenance.

NOTE: If not sanitizing the system skip to steps 2 - 6.

2. Remove the RO Membrane from the housing and place it in a clean sanitary place. (Refer to Membrane Replacement section for directions on removing the Membrane). Replace cap onto empty Membrane housing and re-connect tubing.
3. Remove filters from the two vertical filter housings. Measure and pour either ½ cup of hydrogen peroxide or 2 table spoons of common household bleach into the 1st filter housing and re-attach the 2 empty filter housings onto unit using the supplied wrench.
4. With the RO Faucet in the closed position turn on the incoming water supply to the system by turning the inlet valve counter clockwise. Wait 1 minute for the unit to pressurize. Turn on the RO Faucet and let the water run for 30 seconds. Turn off the RO Faucet and let the unit rest for 2 minutes. Finally, open the RO Faucet and let the water run for 5 more minutes.
5. Turn off the incoming water supply to the system by turning the inlet valve clockwise until it stops. Keep the RO Faucet open until the storage tank is completely drained.
6. Open the Membrane housing and re-install the RO Membrane while making sure not to kink the O-rings. (Refer to Membrane Replacement Section).

For Model PUN3RO:

1. Remove filter housings at stages 1 and 3 and empty the water.
2. Insert a new Carbon Block filter (white end cap and plastic netting) into the 1st filter housing which is the one on the water inlet side of the RO system and re-install housing to the head. Tighten with the supplied wrench.
3. Insert a new Carbon Block filter (white end cap and plastic netting) into 2nd filter housing and re-install housing to the head. Tighten with the supplied wrench.

Continue to Step 7.

For Model PUN4RO:

1. Remove the filter housings at stages 1 and 2 and empty the water.
2. Insert a new Sediment filter (cloth like appearance) into the 1st filter housing which is the one on the water inlet side (red tubing) of the RO system and re-install housing to the head. Tighten with the supplied wrench.
3. Insert a new Carbon Block filter (white end cap and plastic netting) into 2nd filter housing and re-install housings to the head. Tighten with the supplied wrench.
4. The carbon in-line filter is located between the RO faucet and storage tank. It is attached to the RO Membrane with brackets. Remove it by loosening the fitting on both ends of the post filter and replace with new filter. (Refer to the Inline Post Carbon Filter Replacement Section)

Continue to Step 7.

7. Perform steps 6 through 9 in the Periodic System Maintenance section for start-up directions.

RO Membrane Replacement:

The membrane has a life expectancy between 24 to 36 months, depending on the incoming water conditions and the amount of water the system uses. The reverse osmosis membrane is critical for effective reduction of contaminants. Your RO water should be tested periodically to verify that the system is performing satisfactorily.

1. Turn off the incoming water supply to the RO by turning the inlet valve clockwise until it stops.
2. Close the storage tank ball valve.
3. Open the RO Faucet and allow water to drain from the storage tank until it is completely empty.

Removing the Membrane:

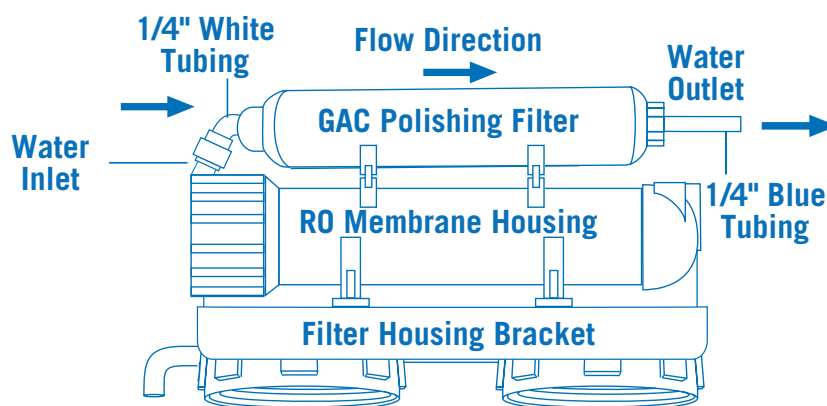
1. Remove the tube fittings from the RO membrane cap.
2. Use the wrench provided to remove the cap from the housing.
3. Use pliers to grip the center tube of the membrane and pull firmly to remove the membrane from the housing and discard.

Installing the Membrane:

4. Lubricate the O-rings on the new membrane with water only. Insert the end with the two black O-rings first into the standpipe of the housing.
5. Once the membrane has been inserted into the housing you must give a firm push to properly seat the membrane. Replace membrane housing cap and tighten with the supplied wrench.
6. Install the tube fitting back into the cap.
7. Follow the start up instructions on page 12.

GAC Polishing Filter Replacement (PUN4RO only):

1. Turn off the Inlet Valve.
2. Close the Ball Valve of the Storage Tank.
3. Open the RO Faucet to release the pressure in RO system.



Removing the Expired GAC Polishing Filter:

1. Remove the Blue Horseshoe Clip securing the 1/4" Blue Tubing in the quick-connect on the expired GAC Polishing Filter. Then disconnect the Blue Tubing by pushing in the Collet and pulling out the Blue Tubing.
2. Repeat the same procedure to remove 1/4" White Tubing from the other end of the GAC Polishing Filter.
3. Pull off the expired GAC Polishing Filter from the plastic Filter Mounting Brackets that are attached to the RO Membrane Housing.

Installing the New GAC Polishing Filter:

1. Remove the outer packaging from the new GAC Polishing Filter. Place the new Filter onto the plastic Filter Mounting Brackets.
2. Connect the 1/4" Blue Tubing back into the outlet of the Filter. Replace the Blue Horseshoe Clip to secure the Tubing.
3. Connect the 1/4" White Tubing into the inlet of the Filter. Replace the Blue Horseshoe Clip to secure the Tubing.
4. Follow steps 7 - 8 of "Periodic System Maintenance" on page 11.

Troubleshooting Guide:

Problem	Possible Cause	Solution
Milky colored water	Air in system	It's a normal occurrence during initial start-up of the system. This milky color will disappear during normal use within 1 to 2 weeks.
Noise from faucet	Air gap in the Faucet	Normal sound with an Air Gap Faucet when the RO system is producing RO water.
	Location of Saddle Drain Clamp	Relocate the drain to a horizontal location.
	Restriction in drain line	Clear blockage that is sometimes caused by debris from garbage disposal unit or dishwasher.
Slow water production	Low water pressure	The systems require min 40 psi incoming water pressure. A booster pump may be needed in low water area.
	System has just started up	Normally it takes up to 2 hours to fill the Storage Tank.
	Low air pressure in the Storage Tank	Add air pressure to the Tank. The pressure should be 5 to 7 psi when the Tank is empty.
	Crimp in Tubing	Check Tubing - Straighten or repair as necessary.
	Clogged Pre-Filters	Replace Pre-Filters.
	Non-operational Membrane	Replace the Membrane.
Offensive water taste or smell	GAC Polishing Filter is depleted	Replace the GAC Polishing Filter.
	Fouled Membrane	Replace the Membrane.
	Sanitizer not flushed out	Drain the Storage Tank and refill it. Repeat to discard 3 tanks of water.
No drain water	Clogged Drain Flow Regulator	Replace the Drain Flow Regulator.
Water leak from the Faucet Air Gap Hole	3/8" black tubing plugged, restricted or incorrectly connected to drain line	Eliminate restriction or plug. Check the drain line is routed properly, not clogged or crimped.
Water leak at thread fittings	Fitting not tightened	Tighten Fittings as necessary.
Water leak at quick-connect fittings	Tubing not cut squarely	Cut the Tubing end square.
	Tubing not pushed in all the way	Push the Tubing in all the way.
	Tubing nicked or outer surface finish is not smooth	Pull the Tubing out of the Connector, cut off problem area and reinsert the Tubing into the connector.
Water leak at sump connection	Sump not locked in the correct position	Turn the sump into the 'Lock' position.
	O-ring missed or damaged	Check the O-rings and replace if necessary.

Performance Data Sheet:

Reverse Osmosis Drinking Water System Model: PUN3RO and PUN4RO

The system must be installed and operated in accordance with manufacturer's recommended procedures and guidelines. Failure to follow the instructions may result in leakage, malfunction and will void warranty.

Read the performance data (on page 16) and compare the capability of the system with your actual water treatment needs. It is recommended that, before installing the system, you have your water supply tested to determine your actual water treatment needs.

Arsenic Fact Sheet

This system has been tested for the treatment of water containing pentavalent arsenic (also known as As(V), As(+5) or Arsenate) at concentration of 0.30 mg/L or less. The systems reduce pentavalent arsenic, but may not reduce other forms of arsenic. These systems are also to be used on the water supplies containing a detectable free chlorine residual or on water supplies that have been demonstrated to contain only pentavalent arsenic. Treatment with Chloramine (combined chlorine) is not sufficient to ensure complete conversion of trivalent arsenic to pentavalent arsenic.

Arsenic is a naturally occurring contaminant found in many ground waters. There are two forms of arsenic: Pentavalent Arsenic [also called as As(V), As(+5) or Arsenate] and Trivalent Arsenic [As (III), As (+3) and Arsenite]. Although both forms are potentially harmful to human health, trivalent arsenic is considered more harmful than pentavalent arsenic.

Arsenic in water has no color, taste or odor. It must be measured by a lab test. Public water utilities must have their water tested for arsenic. You can get the results from your water utility. If you have your own well, you can have the water tested. The local health department or state environmental health agency can provide a list of certified labs.

RO systems do not remove trivalent arsenic from water very well. RO systems are very effective at reducing pentavalent arsenic. If you have free chlorine residual in contact with your water supply for at least one minute, the trivalent arsenic will be converted to pentavalent arsenic and reduced by RO systems. Other water treatment chemicals, such as ozone and potassium permanganate, will also change trivalent arsenic to pentavalent arsenic. A combined chlorine residual (also called chloramine) may not convert all the trivalent arsenic. If you get your water from a public water utility, contact the utility to find out if free chlorine or combined chlorine is used in the water system.

The system requires regular replacement of all filters to maintain proper operation. Depending on usage and influent water quality, the sediment and carbon filters should be changed at least annually and the RO Membrane should be replaced every 2 years. Variation of chlorine, sediment or TDS levels may affect replacement frequency.

Performance Data Sheet (continued):

The PUN3RO has been tested and certified by NSF International according to NSF/ANSI 42, 58 and CSA B483.1. The PUN4RO has been tested and certified by NSF International according to NSF/ANSI 58 and CSA B483.1 for the reduction of the substances listed below.

The concentration of the indicated substances in water entering the system was reduced to a concentration less than or equal to the permissible limit for water leaving the system, as specified in NSF/ANSI 58. While testing was performed under standard laboratory conditions, actual performance may vary.

Performance Claims for PUN3RO and PUN4RO

Substance	Average Influent Challenge Concentration	Maximum Allowable Product Water Level	Percent Reduction Requirement	Tested Performance	
				Product Water Level ①	Percent Reduction ①
NSF Standard 42					
Chlorine (PUN3RO post filter only)	2.0 mg/L ± 10%		≥ 50%		91.8%
Particulate Class III (PUN3RO post filter only)	10,000/mL		≥ 85%		99.9%
NSF Standard 58					
Arsenic (Pentavalent)	0.30 mg/L ± 10%	0.010 mg/L		0.007 mg/L	99.2%
Barium	10.0 mg/L ± 10%	2.0 mg/L		0.43 mg/L	97.6%
Cadmium	0.03 mg/L ± 10%	0.005 mg/L		0.0014 mg/L	98.1%
Chromium (Hexavalent)	0.30 mg/L ± 10%	0.10 mg/L		0.009 mg/L	98.5%
Chromium (Trivalent)	0.30 mg/L ± 10%	0.10 mg/L		0.010 mg/L	96.7%
Copper	3.0 mg/L ± 10%	1.3 mg/L		0.1 mg/L	98.7%
Fluoride	8.0 mg/L ± 10%	1.5 mg/L		0.4 mg/L	95.7%
Lead	0.15 mg/L ± 10%	0.010 mg/L		0.005 mg/L	96.6%
Radium 226/228	25 pCi/L ± 10%	5 pCi/L		5 pCi/L	80%
Selenium	0.10 mg/L ± 10%	0.05 mg/L		0.002 mg/L	97.9%
TDS	750 ± 40 mg/L	187 mg/L		25 mg/L	96.7%
Turbidity	11 ± 1 NTU	0.5 NTU		< 0.1 NTU	> 99.1%

Daily Production Rate: 23.3 gpd

Efficiency: ② 16.03%

Recovery: ③ 30.11%

① Tested by NSF International according to NSF/ANSI Standard 42, 58 and CSA B483.1.

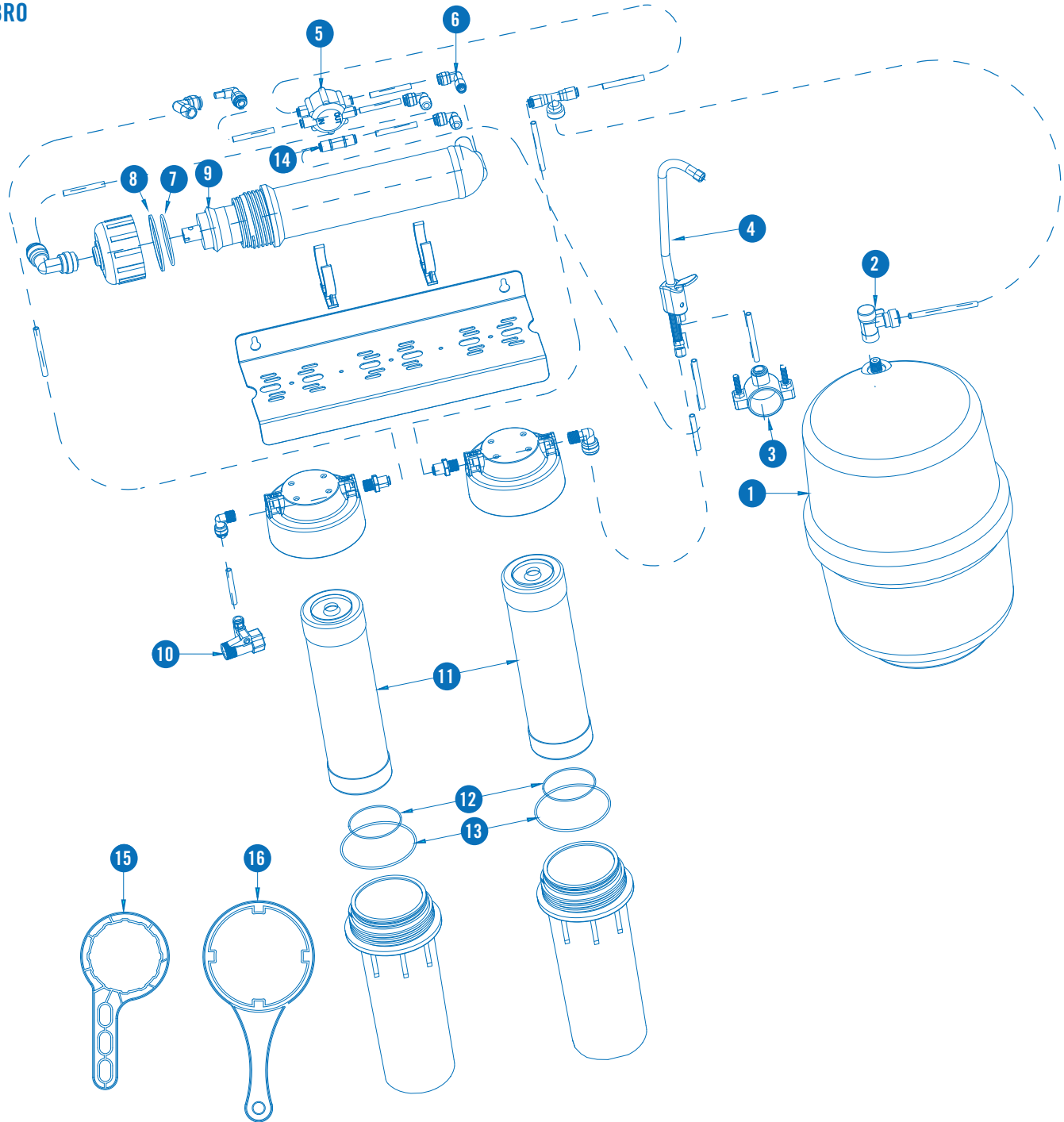
② Efficiency rating means the percentage of the influent water to the system that is available to the user as reverse osmosis treated water under operating conditions that appropriate typical daily usage.

③ Recovery rating means the percentage of the influent water to the membrane portion of the system that is available to the user as reverse osmosis treated water when the system is operated without a storage tank or when the storage tank is bypassed.

Manufactured and warranted by GHP Group Inc.
USA: 6440 W. Howard St. Niles, IL 60714-3302
Canada: 271 Massey Rd. Guelph, Ontario, N1K 1B2

Replacement Parts List:

PUN3RO

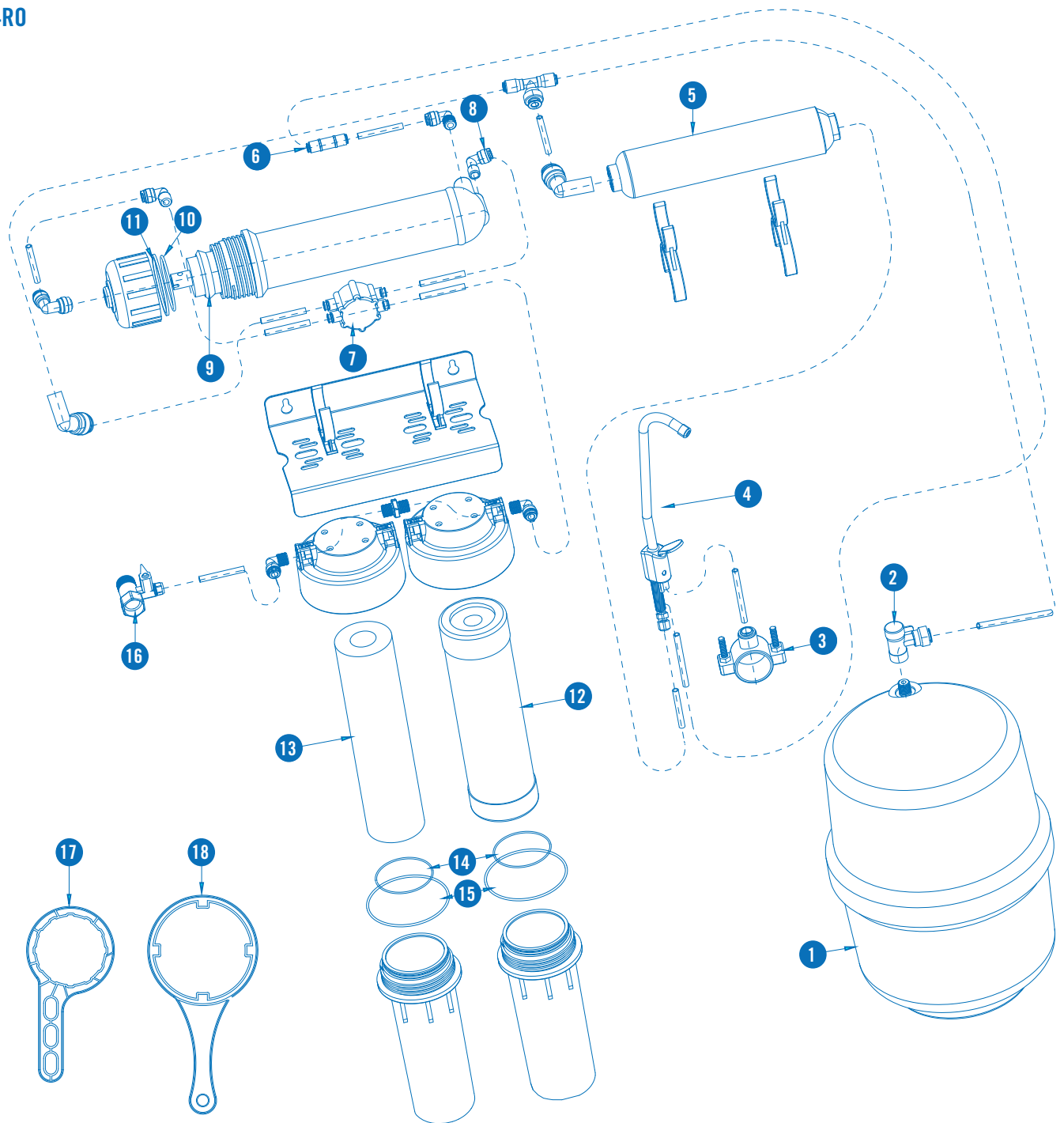


Item	Description	Part #
1	Storage Tank	VWC10006
2	Tank Ball Valve	VWC10005
3	Saddle Drain Clamp Set	VWC10004
4	Air Gap Faucet Set	VWC10003
5	Auto Shut-off Valve	VWC10010
6	1/4" QC One-way Elbow	VWC10009
7	Small O-Ring, RO Sump	VWC10014
8	Large O-Ring, RO Sump	VWC10015

Item	Description	Part #
9	RO Membrane	PUNROM
10	Inlet Valve Set	VWC10001
11	Carbon Block Filter	PUNCRB
12	Small O-Ring, Filter Sump	VWC10012
13	Large O-Ring, Filter Sump	VWC10013
14	Flow Restrictor, 300 mL	VWC10011
15	RO Sump Wrench	VWC10008
16	Filter Sump Wrench	VWC10007

Replacement Parts List:

PUN4RO



Item	Description	Part #
1	Storage Tank	VWC10006
2	Tank Ball Valve	VWC10005
3	Saddle Drain Clamp Set	VWC10004
4	Air Gap Faucet Set	VWC10003
5	GAC Polishing Filter	PROPF
6	Flow Restrictor, 300 mL	VWC10011
7	Auto Shut-off Valve	VWC10010
8	1/4" QC One-way Elbow	VWC10009
9	RO Membrane	PUNROM

Item	Description	Part #
10	Small O-Ring, RO Sump	VWC10014
11	Large O-Ring, RO Sump	VWC10015
12	Carbon Block Filter	PUNCRB
13	Sediment Filter	PUNSED
14	Small O-Ring, Filter Sump	VWC10012
15	Large O-Ring, Filter Sump	VWC10013
16	Inlet Valve Set	VWC10001
17	RO Sump Wrench	VWC10008
18	Filter Sump Wrench	VWC10007

Warranty:

Limited Warranty:

This limited warranty is extended to the original retail purchaser of this filtration system and warrants against any defect in material and workmanship for a period of one (1) year from the date of retail sale. GHP Group, Inc., at its option, will either provide replacement parts or replace the unit, when properly returned to the retailer where purchased within one (1) year of retail purchase. (Shipping costs, labor costs, etc. are the responsibility of the purchaser.)

Duties of the Owner:

This filtration system must be installed and operated in accordance with the written instructions furnished with this system. This warranty shall not excuse the owner from properly maintaining this unit in accordance with the instructions. A bill of sale, canceled check or payment record must be kept to verify purchase date and establish warranty period. Original carton should be kept in case of warranty return of the unit.

What is Not Covered?

1. Damage caused by misuse, installation or use contrary to the owner's manual and safety guidelines.
2. Use of this product where water is microbiologically unsafe or of unknown quality.
3. Damage caused by a lack of normal maintenance and cleaning.
4. Use of non-OEM parts or accessories.
5. Damage caused in transit. Freight charges on warranty parts or products to and from the factory shall be the responsibility of the owner.

THIS LIMITED WARRANTY IS GIVEN TO THE PURCHASER IN LIEU OF ALL OTHER WARRANTIES, EXPRESSED OR IMPLIED, INCLUDING BUT NOT LIMITED TO THE WARRANTIES OF MERCHANTABILITY OF FITNESS FOR A PARTICULAR PURPOSE. THE REMEDY PROVIDED IN THIS WARRANTY IS EXCLUSIVE AND IS GRANTED IN LIEU OF ALL OTHER REMEDIES. IN NO EVENT WILL GHP GROUP, INC. BE LIABLE FOR INCIDENTAL OR CONSEQUENTIAL DAMAGES.

Some states/provinces do not allow limitations on how long an implied warranty lasts, so the above limitation may not apply to you. Some states/provinces do not allow the exclusion or limitation of incidental or consequential damages so the above limitation or exclusion may not apply to you.

Claims Handled as Follows:

1. Contact your retailer and explain the problem.
2. If the retailer is unable to resolve the problem, contact our Customer Service Dept. detailing the system model, the problem, and proof of date of purchase.
3. A representative will contact you. DO NOT RETURN THE UNIT TO GHP GROUP, INC. unless instructed by our Representative, or with written authorization.

This warranty gives you specific legal rights and you may also have other rights that vary from state/province to state/province.

Product Registration:

To register your product, please visit: ghpgroupinc.com/product-registration.html and complete within (14) days of purchase.

PUR®

**Systeme de filtration universel
à osmose inverse pour
installation sous l'évier**

**Manuel du
propriétaire
PUN3RO
PUN4RO**



Table des matières :

Précautions de sécurité	1	* Montage de la vanne à bille sur le réservoir d'alimentation	9
Conditions d'opération	1	* Raccordement des conduites d'eau	9
Contenu de l'emballage	2	* Reliez les tuyaux à l'aide des raccords à connexion rapide 10	
Outils requis pour l'installation	2	* Branchement de la réfrigérateur (facultatif)	10
Configuration et composants du système	3 - 4	Instructions de démarrage	10
Instructions d'installation	5 - 10	Entretien périodique du système	11
* Raccordement de la conduite d'eau froide	5	Entretien annuel	12
* Forage du trou de robinet	5	Remplacement de la membrane d'OI	13
* Installation du robinet à lame d'air	6	Remplacement du filtre de polissage au charbon actif granulé (CAG) (PUN4RO seulement)	13
* Installation de la pince de tige de selle	7	Guide de dépannage	14
* Installation de la membrane dans son boîtier	7	Fiche de données de performance	15 - 16
* Installation des cartouches de filtre	8	Liste des pièces de rechange	17 - 18
* Installation de l'unité OI (à osmose inverse) sous l'évier	9	Garantie	19

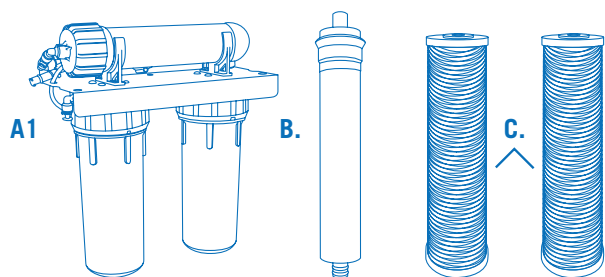
Précautions de sécurité :

- Vous devez suivre les directives pour installer ce système. Renseignez-vous auprès de votre ville/province et service de travaux publics local pour connaître les codes de plomberie et d'assainissement.
- Si la pression de la ligne d'eau de votre résidence est supérieure au maximum de 100 psi (livres par pouce carré), installez un régulateur de pression dans la ligne d'approvisionnement en eau avant d'installer ce système.
- Le système est destiné uniquement à l'utilisation avec l'eau froide et doit être protégé contre le gel, ce qui peut endommager l'appareil et causer des fuites d'eau.
- Ne pas utiliser avec de l'eau qui est microbiologiquement insalubre ou dont la qualité vous est inconnue sans désinfection adéquate en aval ou en amont des filtres.
- Assurez-vous que l'approvisionnement en eau est conforme aux directives spécifiées. Si les conditions d'approvisionnement en eau sont inconnues, consultez votre fournisseur d'eau local dans votre municipalité ou votre agence de santé au sujet de la qualité et de la liste des contaminants dans votre approvisionnement en eau local.
- Lors de l'utilisation du système pour la première fois, ou après une longue période de non-utilisation (comme des vacances de plus d'une semaine), le système doit être rincé soigneusement.
- Ce système contient des cartouches de filtre remplaçables avec une durée de vie limitée.

Conditions d'opération :

Limites de pression de l'eau d'approvisionnement	40 - 100 psi (276-689 kPa)
Limites de température de l'eau d'approvisionnement	40 - 113°F (4,4 -45°C)
Limites maximales du pH de l'eau	4-10
Matières totales dissoutes (MTD)	2,000 ppm
Dureté maximale de l'eau à 6,9 pH 10 gpg	10 gpg
Teneur maximale en fer/manganèse/sulfure d'hydrogène	0,2/0/0 mg/L
Teneur maximale en chlore dans l'eau d'approvisionnement	2,0 ppm
Commande de l'arrêt automatique	Oui

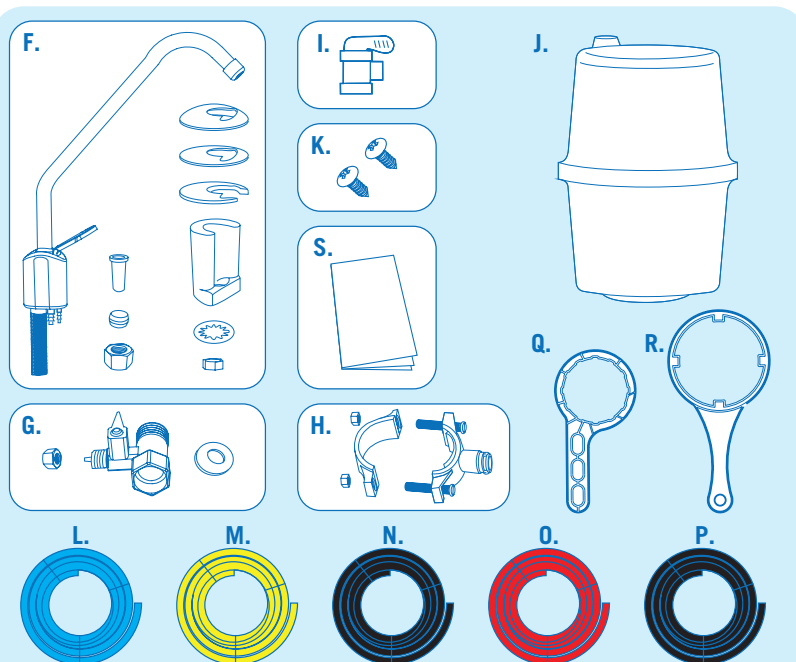
Contenu de l'emballage :



PUN3RO

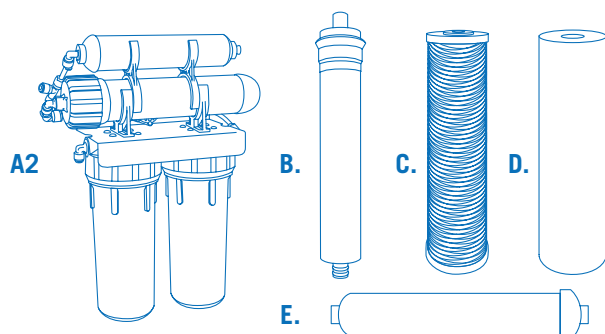
ART.	Description	QTÉ
A1	Ensemble d'entraînement	1
B	Membrane à osmose inverse	1
C	Filtre de bloc de carbone	2

+



TROUSSE D'ACCESSOIRES

ART.	Description	QTÉ
F	Ensemble de robinet à lame d'air	1
G	Ensemble de vanne d'entrée	1
H	Ensemble de pince de tige de selle	1
I	Vanne à bille du réservoir	1
J	Réservoir d'alimentation	1
K	Vis de montage	2
L	6 pi de tuyau bleu de 1/4 po	1
M	6 pi de tuyau jaune de 1/4 po	1
N	6 pi de tuyau noir de 1/4 po	1
O	6 pi de tuyau rouge de 1/4 po	1
P	6 pi de tuyau noir de 3/8 po	1
Q	Clé de puisard OI	1
R	Clé de puisard de filtre	1
S	Guide d'installation, d'emploi et d'entretien	1

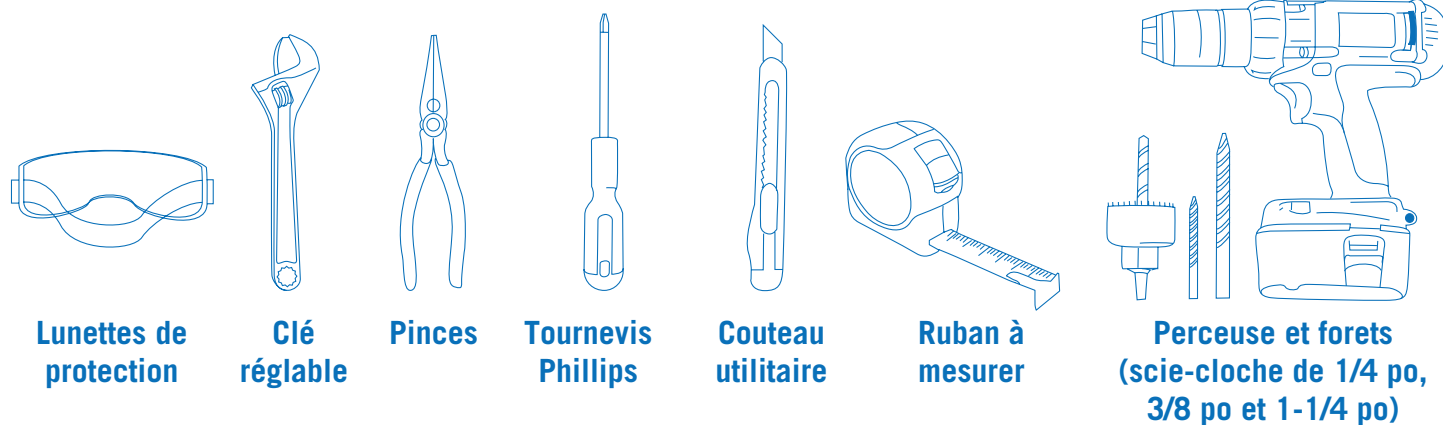


PUN4RO

ART.	Description	QTÉ
A2	Ensemble d'entraînement	1
B	Membrane à osmose inverse	1
C	Filtre de bloc de carbone	1
D	Filtre à sédiments	1
E	Filtre de polissage au charbon actif granulé (CAG)	1

+

Outils requis pour l'installation :



Lunettes de protection

Clé réglable

Pinces

Tournevis Phillips

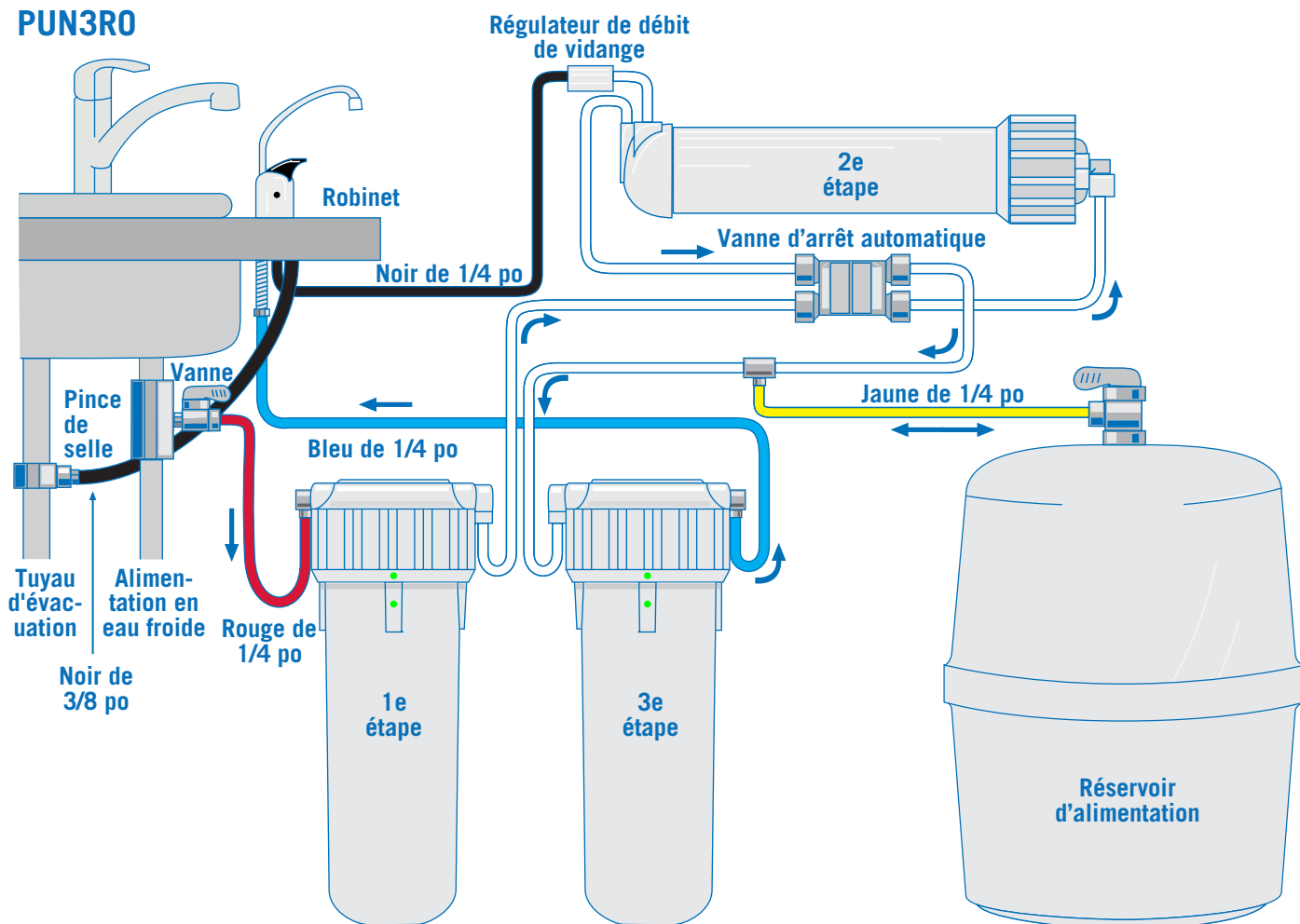
Couteau utilitaire

Ruban à mesurer

Perceuse et forets (scie-cloche de 1/4 po, 3/8 po et 1-1/4 po)

Configuration et composants du système :

PUN3RO

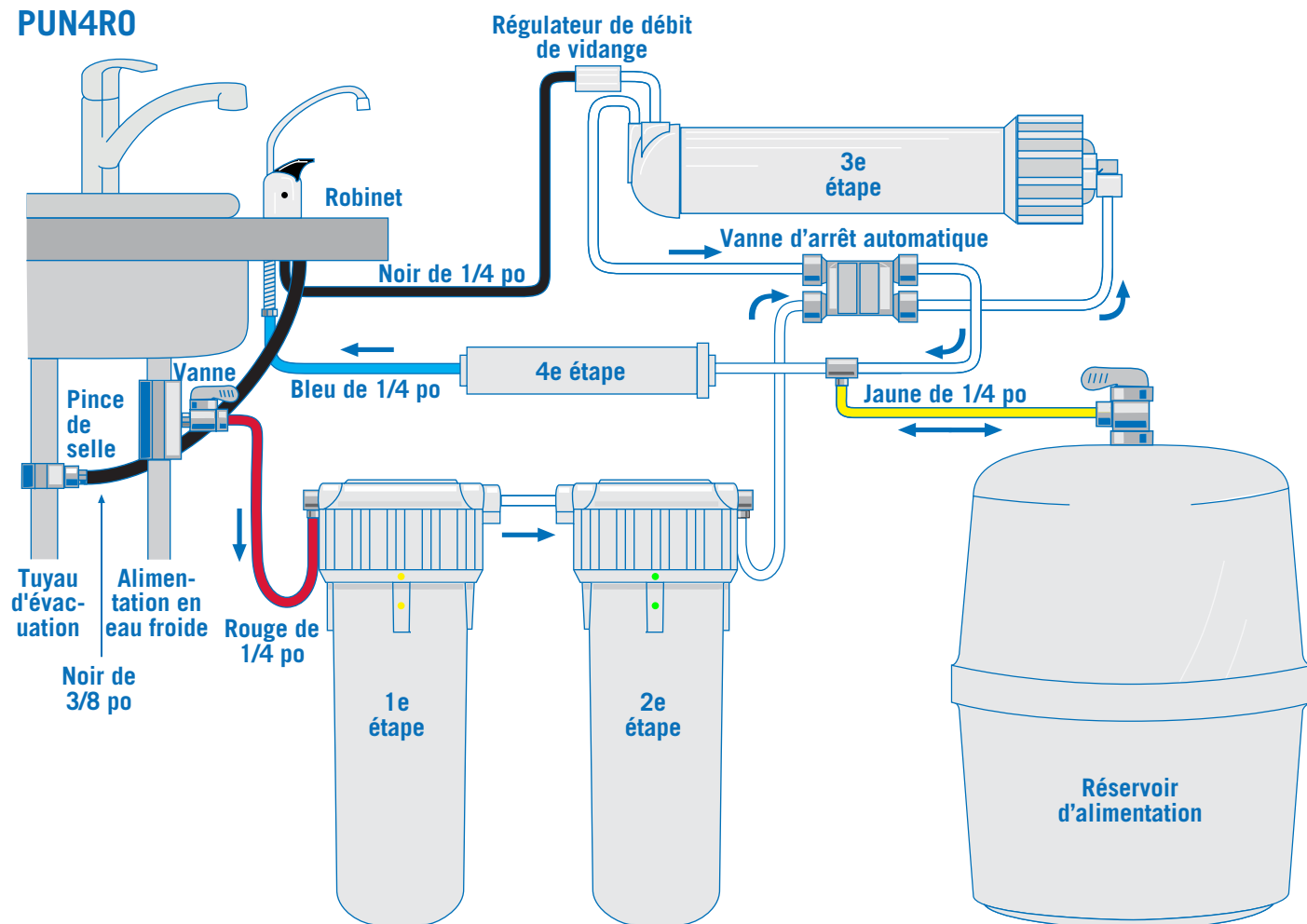


Pièces de rechange

Étape de filtration	No. de pièce	Description	Durée de vie	Code de couleur de filtre
1e	PUNCRB	Filtre de bloc de carbone	6 mois	Point vert
2e	PUNROM	Membrane à osmose inverse	24 mois	N/A
3e	PUNCRB	Filtre de bloc de carbone	6 mois	Point vert

Configuration et composants du système (suite) :

PUN4R0



Pièces de rechange

Étape de filtration	No. de pièce	Description	Durée de vie	Code de couleur de filtre
1e	PUNSED	Filtre à sédiments	6 mois	Point jaune
2e	PUNCRB	Filtre de bloc de carbone	6 mois	Point vert
3e	PUNROM	Membrane à osmose inverse	24 mois	N/A
4e	PROPF	Filtre de polissage au charbon actif granulé (CAG)	6 mois	N/A

Instructions d'installation :

Raccordement de la ligne d'eau froide (voir les figures 1 et 2) :

ATTENTION : L'approvisionnement en eau de votre unité DOIT provenir de la LIGNE D'EAU FROIDE. L'eau chaude endommagera votre système de filtration.

1. Coupez l'eau froide en fermant la vanne d'arrêt sous l'évier. Si la ligne d'eau froide n'a pas de vanne d'arrêt sous l'évier, coupez la ligne d'eau principale de la maison. Placez un plateau ou une serviette sous la ligne d'eau froide pour récupérer l'éventuel surplus d'eau.
2. Ouvrez le robinet d'eau froide et laissez toute l'eau s'écouler du tuyau. Sur un robinet à poignée unique, il peut être nécessaire de couper l'eau chaude pour éviter que l'eau chaude ne se mélange à l'eau froide.
3. Desserrez l'écrou et séparez le tuyau flexible tressé d'eau froide de la tige du robinet d'eau froide de la cuisine. Attachez la vanne d'entrée à la tige du robinet à l'aide de la rondelle en caoutchouc. Réinstallez le tuyau flexible sur la vanne d'entrée et serrez avec une clé réglable.
4. Insérez un tuyau rouge de 1/4 po sur le tube de guidage de la vanne d'entrée. Resserrez l'écrou à compression avec une clé réglable.

Forage du trou de robinet (voir la figure 3):

Pensez à placer le robinet d'eau potable de façon pratique, fonctionnelle et esthétique. Il faut une surface plane assez grande pour que le robinet soit fixé en toute sécurité. Vérifiez toutes interférences en dessous de l'emplacement. La plupart des éviers ont des trous prépercés de 1 1/4 ou 1 1/2 po de diamètre destinés aux tuyaux d'arrosage. On peut installer le robinet d'eau potable en utilisant l'un de ces trous. Si ces trous prépercés sont inutilisables ou mal placés, il faudra percer un trou d'au moins 1 1/4 po dans l'évier ou le comptoir à côté de l'évier ou du robinet.

ATTENTION : Ne pas percer un comptoir de plus de 1 po d'épaisseur.
ATTENTION : Ne pas percer un comptoir carrelé, en marbre, en granit ou similaire. Consultez un plombier ou le fabricant du comptoir pour obtenir des conseils ou de l'aide.

ATTENTION : Lorsque vous percez un comptoir, assurez-vous que la zone située sous la zone de perçage est exempte de câbles et de tuyauterie. Assurez-vous que vous avez amplement d'espace pour bien relier le fond du robinet.

ATTENTION : N'essayez pas de percer un évier en porcelaine ou émaillé. Pour ce type d'évier, nous vous conseillons d'utiliser le trou du tuyau d'arrosage ou de monter le robinet dans le comptoir. Sinon, consultez un plombier ou un fabricant pour obtenir des conseils ou de l'aide.

1. Tapissez le fond de l'évier avec du papier journal pour empêcher que des copeaux, pièces ou outils ne tombent au fond l'évier.
2. Placez du ruban-cache adhésif sur la zone à percer pour éviter les rayures si le foret dérape.
3. Marquez le point de perçage avec un pointeau. Utilisez un foret de 1/4 po pour percer un trou de guidage.
4. Utilisez une scie à trous de 1 1/4 po pour agrandir le trou. Lissez les bords rugueux avec une lime.

Figure 1

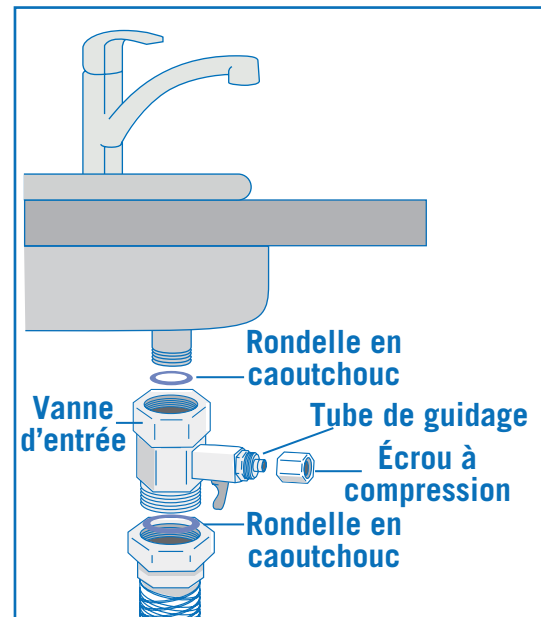


Figure 2

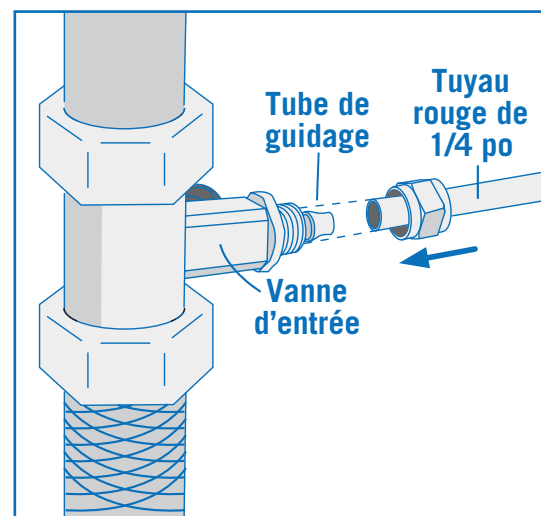
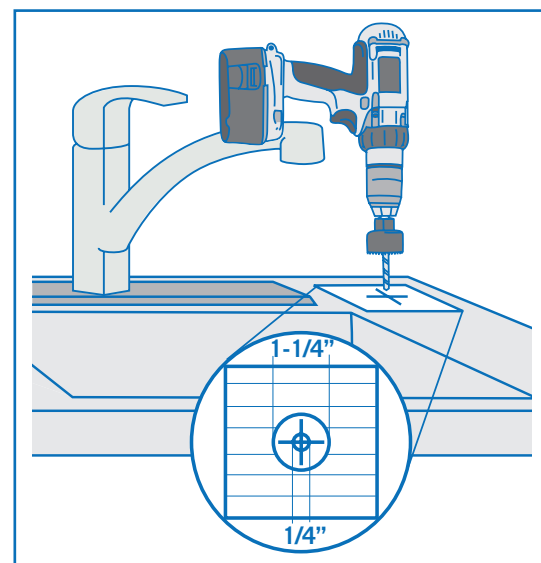


Figure 3



Instructions d'installation (suite) :

Installation du robinet à lame d'air (voir les figures 4, 5 et 6) :

ATTENTION : L'utilisation d'un robinet à lame d'air est généralement exigée en vertu des codes de plomberie aux États-Unis et au Canada. Assurez-vous que l'installation répond à tous les codes de plomberie en vigueur dans votre municipalité. Le robinet à lame d'air empêchera les eaux usées de contaminer les filtres OI si la ligne de vidange est bouchée.

1. Retirez l'écrou de tige du robinet.
2. Faites glisser la plaque en chrome et la rondelle en caoutchouc sur la tige du robinet.
3. Reliez le tuyau de drainage noir de 1/4 po au raccord de 1/4 po sur le robinet à lame d'air.
4. Reliez ensuite le tuyau noir de 3/8 po au raccord de 3/8 po sur le robinet à lame d'air.

REMARQUE : Assurez-vous que le tuyau est poussé jusqu'au bout du raccord.

REMARQUE : Le tuyau de drainage noir de 3/8 po utilise l'alimentation par gravité pour passer au raccord de pince de selle. Assurez-vous qu'il n'y ait pas de courbes, de boucles ou de plis tranchants dans le tuyau noir de 3/8 po. Si le tuyau allant vers le drain n'est pas droit, vous risquez des fuites d'eau dans la lame d'air du robinet sur le comptoir ou en dessous du robinet.

5. La plaque en chrome, la rondelle en caoutchouc et le corps du robinet s'installent au-dessus de l'évier ou sur le comptoir.
6. Insérez les tuyaux noirs de 3/8 po et de 1/4 po dans le trou prépercé dans l'évier/le comptoir.
7. Placez le robinet dans le trou percé, puis ajoutez un espaceur, une plaque de fixation, une rondelle en étoile et un écrou de tige.
8. Serrez fermement l'écrou de tige tout en alignant le robinet à l'emplacement désiré.
9. Glissez doucement l'écrou à compression du robinet vers le bas sur le tuyau bleu de 1/4 po, suivi de la virole. Ensuite, poussez l'insert jusqu'au bout du tuyau.
10. Poussez fermement le tuyau dans la tige du robinet jusqu'à ce qu'il s'arrête. Vissez à la main l'écrou à compression sur les fils de la tige. Serrez avec une clé.

Figure 4

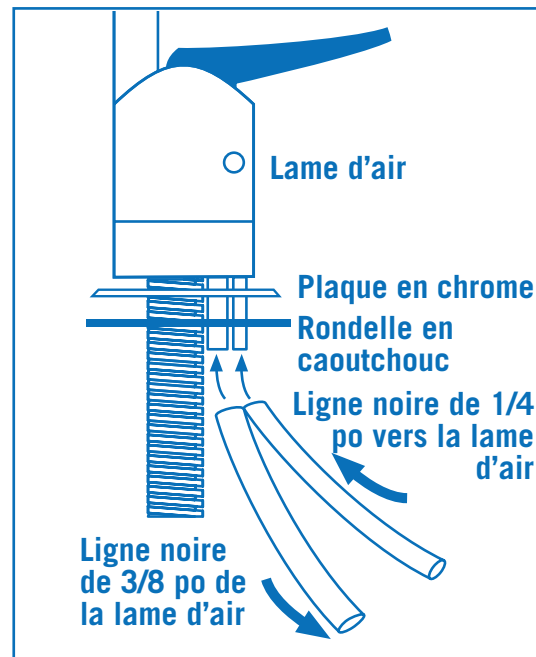


Figure 5

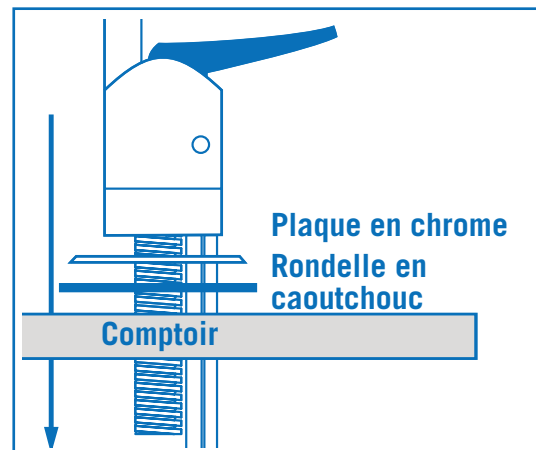
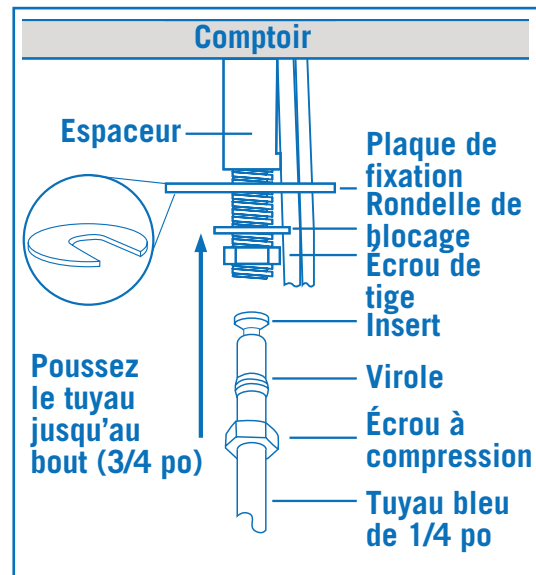


Figure 6



Instructions d'installation (suite) :

Installation de la pince de tige de selle (voir les figures 7 et 8) :

1. Fixez la pince de tige de selle à la partie verticale du tuyau d'évacuation, environ 2 pouces au-dessus du siphon.
2. Utilisant le trou de montage de la pince de tige de selle comme guide, percez un trou de 1/4 po d'un côté du tuyau d'évacuation.

ATTENTION: Ne pas perforer l'autre côté du tuyau.

3. Retirez la pince de selle du tuyau d'évacuation et agrandissez le trou avec un foret de 3/8 po. Utilisez une lime pour enlever les bords rugueux du trou percé.
4. Coupez l'extrémité du tuyau noir de 3/8 po à angle droit. Insérez le tuyau dans le raccord à connexion rapide de la pince de selle d'environ 1 po plus loin que la paroi intérieure de la pince de selle.
5. Assurez-vous que le joint en caoutchouc noir est attaché à la paroi intérieure de la pince de selle et placez la pince sur le tuyau d'évacuation. Insérez le tuyau noir de 3/8 po dans le trou percé. Serrez la pince.

ATTENTION: Ne pas serrer excessivement les vis. Cela pourrait casser la pince.

CAUTION: : Le tuyau de drainage noir de 3/8 po doit être aussi COURT et DROIT que possible par rapport à la pince de tige de selle, créant ainsi une pente descendante du robinet à la pince de tige de selle pour permettre un drainage adéquat. Il s'agit d'une ligne alimentée par gravité et s'il y a une courbure, un pli ou une inclinaison dans le tuyau, l'eau de rinçage ne s'écoulera pas correctement dans le drain. L'eau peut remonter et sortir de la lame d'air dans le robinet.

Installation de la membrane dans le boîtier de la membrane (voir la figure 9) :

1. Retirez le raccord de tube du capuchon de la membrane OI.
2. Desserrez le bouchon à l'aide de la clé fournie dans le sens anti-horaire.
3. Mouillez les joints toriques sur la nouvelle membrane à l'eau. Insérez le bout avec les deux joints toriques noirs sur le tuyau vertical dans le boîtier du filtre.
4. Une fois que la membrane a été insérée dans le boîtier, poussez-la fermement pour qu'elle soit bien en place.
5. Vérifiez que le joint torique est bien installé dans le capuchon. Remettez le capuchon du boîtier de la membrane et serrez dans le sens horaire à l'aide de la clé fournie.

Figure 7

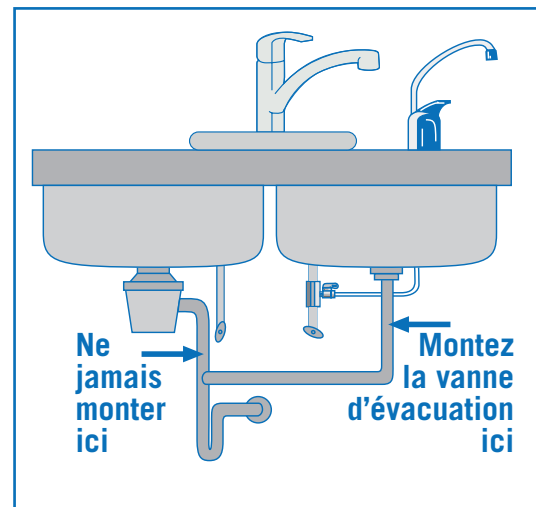


Figure 8

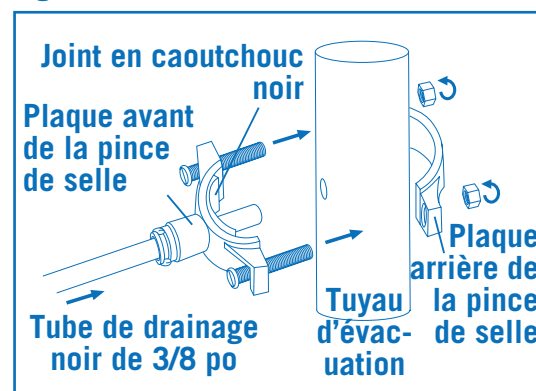
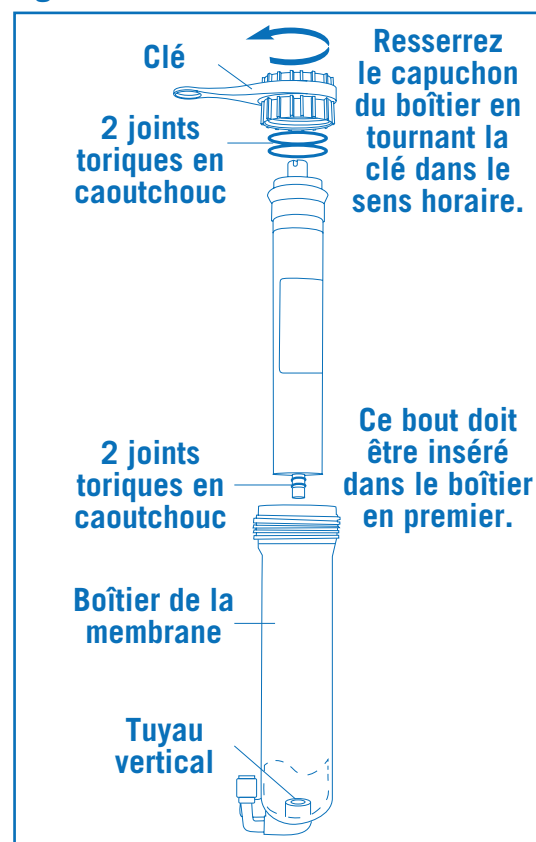


Figure 9



Instructions d'installation (suite) :

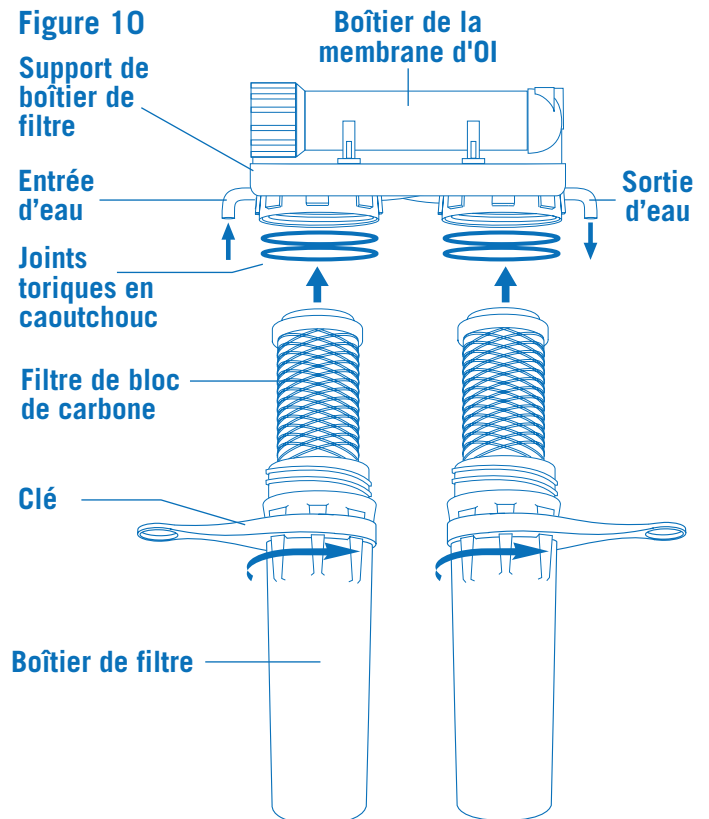
Installation des cartouches de filtre et de la tête du boîtier de filtre (voir les figures 10 ou 11) :

ATTENTION : Gardez les filtres et les boîtiers en position verticale pendant l'installation pour un meilleur rendement.

PUN3RO

1. Insérez un filtre à bloc de carbone dans le 1er boîtier de filtre qui se trouve du côté de l'entrée d'eau (tuyau rouge) dans le système OI, puis installez le boîtier sur la tête en vissant dans le sens anti-horaire. Resserrez-le à l'aide de la clé fournie.
2. Insérez un filtre à bloc de carbone dans le deuxième boîtier et vissez le boîtier sur la tête du boîtier en tournant dans le sens anti-horaire. Resserrez à l'aide de la clé fournie.

REMARQUE : Assurez-vous que les indicateurs de joint sur la tête et le boîtier sont bien alignés

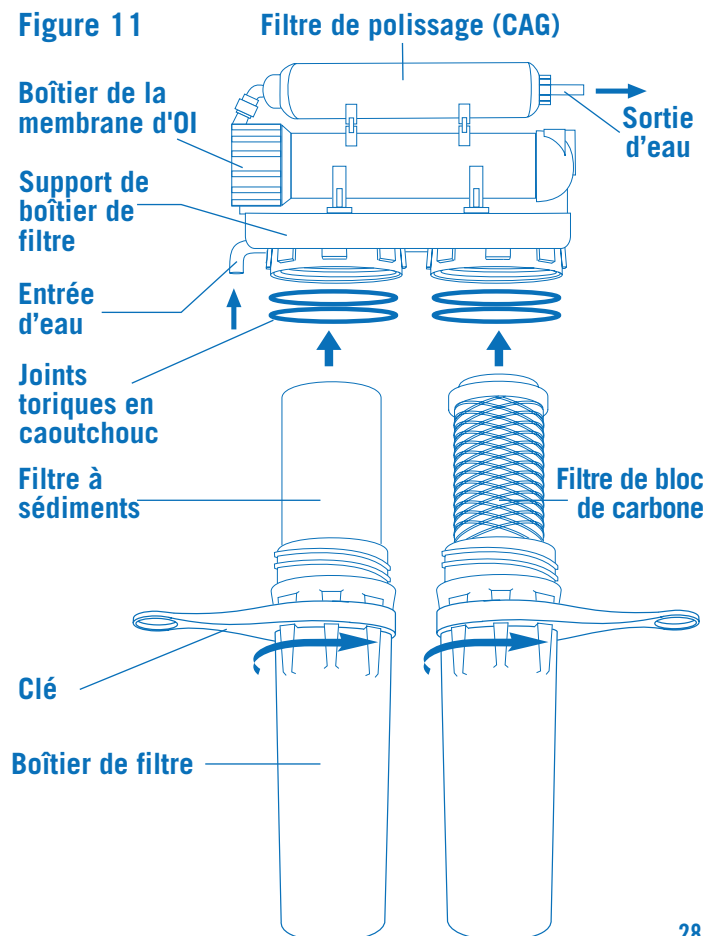


PUN4RO

1. Insérez un filtre à sédiments (qui ressemble à du tissu) dans le 1er boîtier de filtre, celui qui se trouve du côté de l'entrée d'eau (tuyau rouge) du système OI, puis installez le boîtier sur la tête en vissant dans le sens anti-horaire. Resserrez à l'aide de la clé fournie.
2. Insérez un filtre à bloc de carbone dans un deuxième boîtier et vissez le boîtier sur la tête en tournant dans le sens anti-horaire. Resserrez à l'aide de la clé fournie.

REMARQUE : Assurez-vous que les indicateurs de joint sur la tête et le boîtier sont bien alignés.

ATTENTION : Lorsque vous regardez le système de l'avant, le filtre à sédiments doit se trouver sur la gauche et le filtre à bloc de carbone doit se trouver sur la droite.

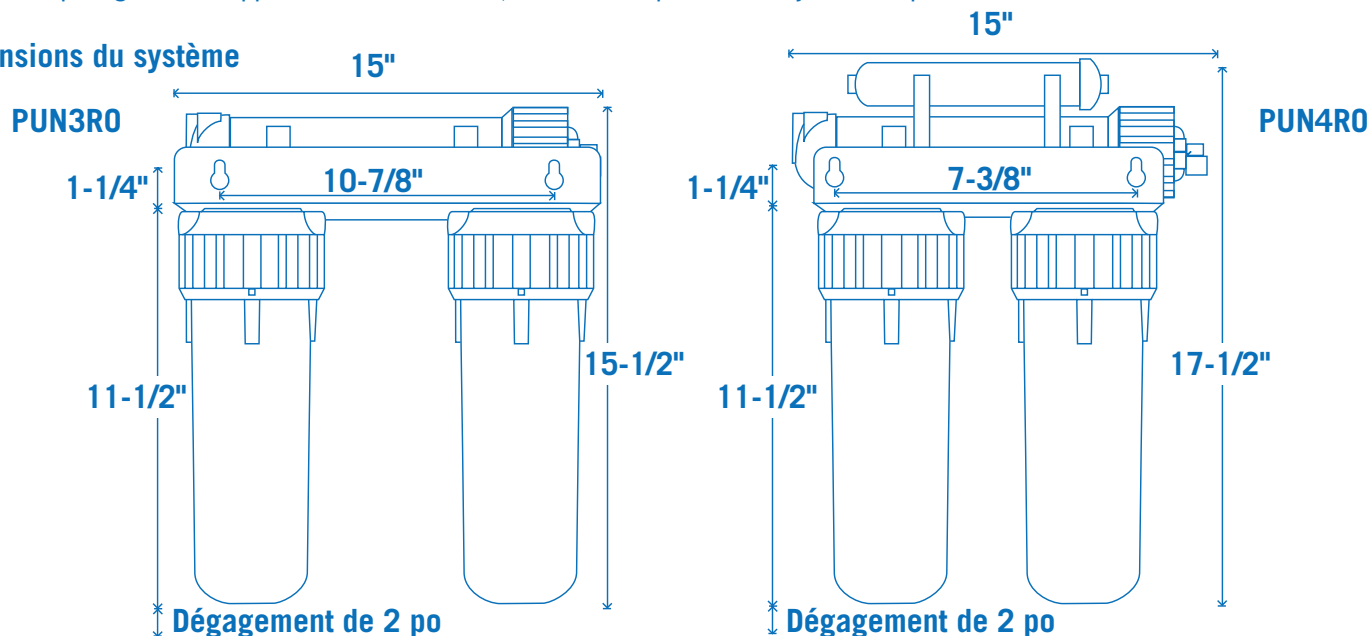


Instructions d'installation (suite) :

Montage de l'unité OI sous l'évier :

1. Placez l'unité OI sur les murs arrière ou les murs de droite sous l'évier. Assurez-vous de laisser suffisamment d'espace pour les raccords de montage et de plomberie. Pour changer les cartouches de filtre, il faut un dégagement de 2 po sous les boîtiers de filtre.
2. Installez des vis de montage à une distance d'au moins 15 3/4 po du sol de l'armoire. Laissez 1/4 po d'espace entre la tête de la vis et le mur pour glisser le support sur les vis. Ensuite, serrez les vis pour fixer le système en place.

Dimensions du système



Montage de la vanne à bille sur le réservoir d'alimentation (voir les figures 12 et 13) :

1. Reliez la vanne à bille au fil du réservoir d'alimentation d'eau sur le côté supérieur du réservoir. Assurez-vous que le joint en caoutchouc noir soit bien à plat. Serrez la vanne sans la serrer excessivement.
2. Reliez le tuyau jaune de 1/4 po à la vanne à bille. Poussez le tuyau jusqu'au bout pour qu'il soit bien inséré.
3. Fermez la vanne à bille.

Raccordement des conduites d'eau :

ATTENTION : Avant de couper le tuyau fourni, mesurez la distance entre les composants.

Tous les tuyaux sont codés par couleur pour faciliter l'installation.

- Noir de 1/4 po :** Relie les eaux usées de la membrane OI à la ligne d'admission du robinet à lame d'air.
- Rouge de 1/4 po :** Relie la vanne d'entrée de l'approvisionnement en eau froide à l'entrée du système.
- Jaune de 1/4 po :** Relie la membrane OI au réservoir d'alimentation.
- Bleu de 1/4 po :** Relie la sortie du système au robinet
- Noir de 3/8 po :** Relie le robinet à la pince de tige de selle

Remarque : Consultez le diagramme à la page 23 ou 24 pour voir la couleur et le point de raccordement du système OI.

Figure 12

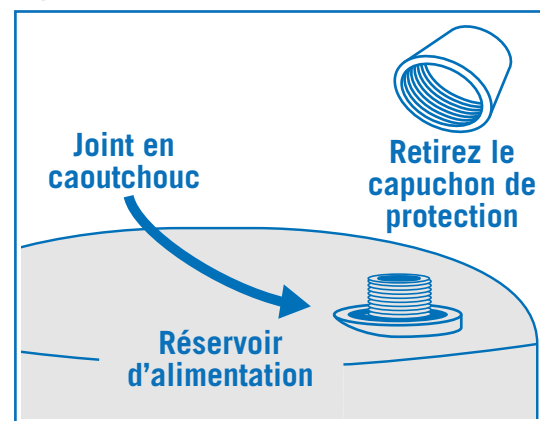
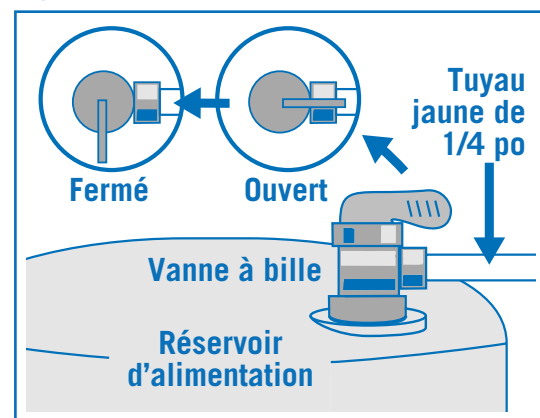


Figure 13



Instructions d'installation (suite) :

Reliez les tuyaux à l'aide des raccords à connexion rapide (voir les figures 14, 15 et 16) :

Chaque point de raccordement a un bouchon coloré qui correspond à la couleur du tuyau pour faciliter l'installation. Jetez les bouchons après l'installation du tuyau.

Des raccords à connexion rapide sont utilisés dans tout le système. Pour assurer un raccord étanche, les tuyaux doivent être coupés à angle droit. Si l'angle de la coupure n'est pas droit ou si le tuyau est tordu, le joint ne sera pas étanche, ce qui peut causer des fuites.

1. Retirez la pince bleue « fer à cheval » du collet.
2. Sortez et jetez le bouchon coloré en poussant le collet vers l'intérieur et en le tenant manuellement.
3. Insérez le tuyau dans le collet. Un tuyau de 1/4 po devrait s'enfoncer de 11/16 po dans le raccord et un tuyau de 3/8 po devrait s'enfoncer de 3/4 po.

REMARQUE : Assurez-vous que le tuyau est poussé jusqu'au bout.

4. Réinstallez la pince bleue « fer à cheval » dans le collet.

Figure 14

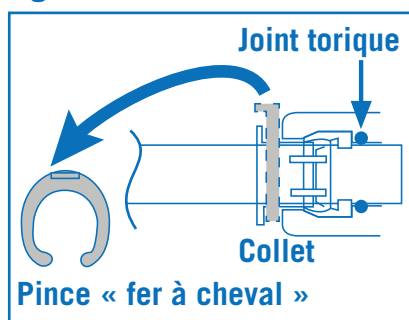


Figure 15

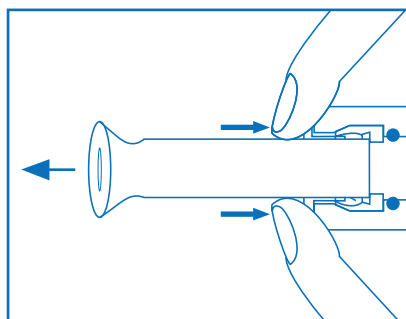
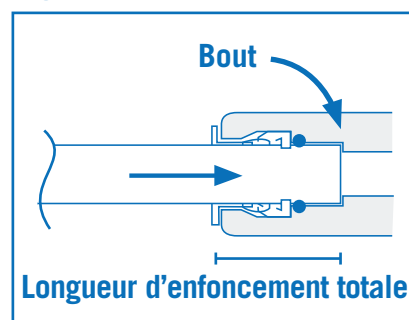


Figure 16



Branchement de la réfrigérateur (facultatif) :

Installez un tuyau en polypropylène de 1/4 po si votre réfrigérateur se trouve à moins de 25 pi de votre unité OI. N'utilisez pas de tubes en cuivre pour l'eau produite par le système OI. Si le réfrigérateur est à plus de 25 pieds de l'unité OI, il est recommandé d'utiliser des tuyaux de 3/8 po. Installez un raccord en T dans le tuyau bleu entre la sortie du système et le robinet. Il est recommandé d'installer une vanne à billes dans la conduite de votre machine à glaçons pour laisser la pression dans le réservoir augmenter suffisamment pour que la soupape solénoïde de la machine à glaçons fonctionne correctement. Gardez la vanne à bille fermée jusqu'à ce que le réservoir soit plein une fois que le processus de démarrage est terminé.

Instructions de démarrage :

REMARQUE : Si vous avez branché votre système OI à un réfrigérateur/une machine à glaçons, assurez-vous que la machine à glaçons est éteinte. Ne laissez pas l'eau s'écouler vers la machine à glaçons jusqu'à ce que le système soit rincé et que le réservoir soit complètement rempli.

Il est recommandé d'installer une vanne en ligne (raccordée à la tuyauterie) entre l'unité OI et la machine à glace afin qu'elle puisse facilement être fermée afin d'éviter que l'eau ne s'écoule dans la machine à glace pendant le démarrage et l'entretien périodique.

Pour un bon fonctionnement de la machine à glaçons, laissez votre réservoir OI se remplir complètement.

1. Tournez la vanne d'entrée et la vanne à bille du réservoir en position ouverte.
2. Assurez-vous que le robinet OI est fermé.
3. Ouvrez lentement la vanne d'alimentation en eau froide que vous avez fermée au début du processus d'installation.
4. La pression de l'eau commencera à s'accumuler dans le système OI après environ 2 heures à mesure que la pression s'accroît dans le réservoir. Inspectez soigneusement tous les raccords et connexions. Vérifiez s'il y a des fuites et réparez-les s'il y en a.
5. Vous devez remplir et purger un minimum de 2 réservoirs d'eau avant que l'eau ne soit potable.
6. Après la deuxième vidange, votre système OI sera prêt à l'emploi.

REMARQUE : Vous n'aurez pas d'eau filtrée tout de suite. Il faudra 2 heures pour remplir complètement le réservoir d'alimentation d'eau pour avoir un bon débit dans le robinet OI.

Entretien périodique du système :

Selon le modèle acheté, le graphique ci-dessous vous aidera à remplacer les filtres. Le filtre de rechange peut être acheté en ligne à www.ghpgroupinc.com ou au magasin de détail où vous avez acheté le système.

No. de modèle	Trousse de remplacement de filtre <i>Remplacez tous les 6 mois</i>	Membrane OI <i>Remplacez tous les 24 mois</i>
PUN3RO	PUNCRBKIT (contient : 2x PUNCRB)	PUNROM
PUN4RO	PUN4ROKIT (contient : 1x PUNCRB, 1x PUNSED, 1x PROPF)	PUNROM

AVERTISSEMENT : Le défaut de remplacer le filtre à carbone chaque année endommagera la membrane OI lorsqu'elle est raccordée à un approvisionnement en eau chlorée.

REMARQUE : Utilisez la clé à filtre fournie avec le système OI.

1. Fermez l'approvisionnement en eau entrant au système OI en tournant la vanne d'entrée dans le sens horaire jusqu'à ce qu'elle s'arrête.
2. Fermez la valve à billes du réservoir d'alimentation.
3. Ouvrez le robinet OI et laissez l'eau s'écouler pour soulager la pression dans le système

REMARQUE : L'eau peut être conservée dans un récipient pour consommation ultérieure ou pour rincer les pièces du système.

4. Pour faciliter le remplacement du filtre, vous pouvez garder l'unité OI fixée à la paroi de l'armoire. Si vous n'êtes pas en mesure d'accéder à l'unité lorsqu'elle est montée à l'armoire, déplacez-la avant de changer de filtre. Retirez en premier le boîtier de filtre de la 1^e étape en le tournant dans le sens horaire (vers la gauche), videz-le, puis jetez le filtre. Passez ensuite au 2^e boîtier (étape 2).
5. Nettoyez les boîtiers de filtre avec une solution de savon douce, puis rincez à l'eau. Vérifiez le joint torique et mouillez à l'eau seulement. N'utilisez pas de lubrifiants à base de pétrole comme la vaseline.

REMARQUE : Avant de réinstaller des boîtiers de filtre sur le système, vérifiez les joints toriques pour vous assurer qu'ils sont toujours en place.

Pour le modèle PUN3RO :

1. Insérez un nouveau filtre à bloc de carbone PUNCRB (capuchon blanc et filet en plastique) dans le 1^{er} boîtier de filtre, celui qui se trouve du côté de l'entrée d'eau dans le système OI et réinstallez les boîtiers sur la tête. Serrez à l'aide de la clé fournie.
2. Insérez un nouveau filtre à bloc de carbone PUNCRB (capuchon blanc et filet en plastique) dans le 2^e boîtier de filtre et réinstallez des boîtiers sur la tête. Serrez à l'aide de la clé fournie.

Passez à l'étape 6.

Pour le modèle PUN4RO :

1. Insérez un nouveau filtre à sédiments PUNSED (qui ressemble à du tissu) dans le 1^{er} boîtier de filtre, celui qui se trouve du côté de l'entrée d'eau (tuyau rouge) du système OI et réinstallez les boîtiers sur la tête. Serrez à l'aide de la clé fournie.
2. Insérez un nouveau filtre à bloc de carbone PUNCRB (capuchon blanc et filet en plastique) dans le 2^e boîtier de filtre et réinstallez des boîtiers sur la tête. Serrez à l'aide de la clé fournie.

Passez à l'étape 6.

6. Ouvrez l'alimentation en eau en tournant la vanne d'entrée dans le sens anti-horaire.
7. Ouvrez le robinet OI et laissez-le ouvert jusqu'à ce que l'eau commence à sortir (elle sortira très lentement). Laissez égoutter pendant 15 minutes.
8. Fermez le robinet OI.
9. Ouvrez la vanne à bille du réservoir d'alimentation. Le système de filtration d'eau à osmose inverse est désormais prêt à l'emploi!

REMARQUE : Il est recommandé de désinfecter l'unité.

1. Suivez les étapes 1 à 5 lors de l'entretien périodique du système.

REMARQUE : Si vous ne désinfectez pas le système, passez aux étapes 2 à 6.

2. Retirez la membrane OI du boîtier et placez-la dans un endroit propre et désinfecté (référez-vous à la section Remplacement de la membrane pour voir comment enlever la membrane). Remettez le capuchon sur le boîtier vide de la membrane et raccordez le tuyau.
3. Retirez les filtres des deux boîtiers de filtre verticaux. Mesurez et versez soit 1/2 tasse de peroxyde d'hydrogène ou 2 cuillères à soupe d'eau de Javel standard dans le 1er boîtier filtre et réinstallez les 2 boîtiers de filtre vides sur l'unité à l'aide de la clé fournie.
4. Avec le robinet OI en position fermée, ouvrez l'approvisionnement en eau entrant dans le système en tournant la vanne d'entrée dans le sens horaire. Attendez 1 minute pour pressuriser l'unité. Ouvrez le robinet OI et laissez couler l'eau pendant 30 secondes. Fermez le robinet OI et laissez reposer l'unité pendant 2 minutes. Ensuite, ouvrez le robinet OI et laissez l'eau couler pendant 5 minutes.
5. Fermez l'approvisionnement en eau entrant au système en tournant la vanne d'entrée dans le sens horaire jusqu'à ce qu'elle s'arrête. Gardez le robinet OI ouvert jusqu'à ce que le réservoir d'alimentation soit complètement vidé.
6. Ouvrez le boîtier de la membrane et réinstallez la membrane OI en veillant à ne pas plier les anneaux O (référez-vous à la section Remplacement de la membrane).

Pour le modèle PUN3R0 :

1. Enlevez les boîtiers de filtre (étapes 1 et 3) et videz l'eau.
2. Insérez un nouveau filtre à bloc de carbone (capuchon blanc et filet plastique) dans le 1er boîtier de filtre, celui du côté de l'entrée d'eau dans le système OI, et réinstallez le boîtier sur la tête. Serrez à l'aide de la clé fournie.
3. Insérez un nouveau filtre à bloc de carbone (capuchon blanc et filet plastique) dans le 2e boîtier de filtre et réinstallez le boîtier sur la tête. Serrez à l'aide de la clé fournie.

Passez à l'étape 7.

Pour le modèle PUN4R0 :

1. Retirez les boîtiers de filtre (étapes 1 et 2) et videz l'eau.
2. Insérez un nouveau filtre à sédiments (qui ressemble à du tissu) dans le 1er boîtier de filtre, celui du côté de l'entrée d'eau (tuyau rouge) du système OI et réinstallez le boîtier sur la tête. Serrez à l'aide de la clé fournie.
3. Insérez un nouveau filtre à bloc de carbone (capuchon blanc et filet en plastique) dans le 2e boîtier de filtre et réinstallez les boîtiers sur la tête. Serrez avec la clé fournie.
4. Le filtre à carbone en ligne est situé entre le robinet OI et le réservoir d'alimentation. Il est attaché à la membrane OI à l'aide de supports. Retirez-le en desserrant les raccords sur les deux extrémités du post-filtre et remplacez-le par un nouveau filtre. (Référez-vous à la section Remplacement du post-filtre à carbone)

Passez à l'étape 7.

7. Effectuer les étapes 6 à 9 dans la section Entretien périodique du système pour voir les instructions de démarrage.

Remplacement de la membrane d'OI :

La membrane a une durée de vie de 24 à 36 mois, selon l'état de l'eau entrante et la quantité d'eau utilisée par le système. La membrane à osmose inverse est essentielle pour réduire efficacement les contaminants. Votre eau OI doit être testée périodiquement pour vérifier que le système fonctionne de manière satisfaisante.

1. Fermez l'approvisionnement en eau entrant au système OI en tournant la vanne d'entrée dans le sens horaire jusqu'à ce qu'elle s'arrête.
2. Fermez la vanne à bille du réservoir d'alimentation.
3. Ouvrez le robinet OI et laissez l'eau s'écouler du réservoir d'alimentation jusqu'à ce qu'il soit complètement vide.

Enlever la membrane :

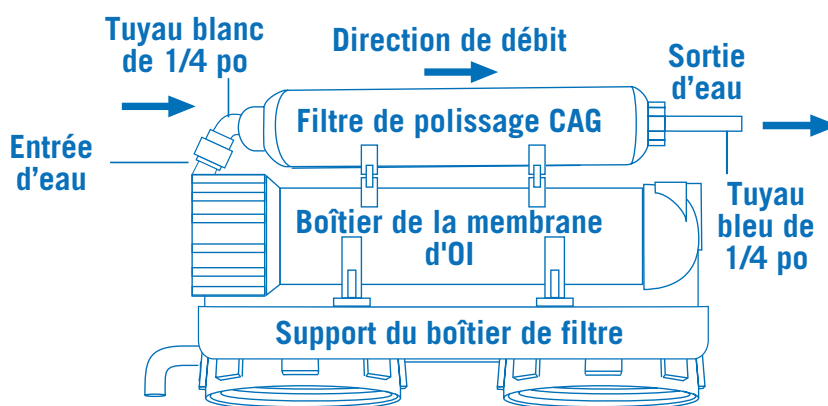
1. Enlevez les raccords de tube du capuchon de la membrane OI.
2. Utilisez la clé fournie pour retirer le capuchon du boîtier.
3. Utilisez des pinces pour saisir le tube central de la membrane et tirez fermement pour enlever la membrane du boîtier. Jetez la membrane.

Installation de la membrane :

4. Mouillez les joints toriques sur la nouvelle membrane à l'eau seulement. Insérez le bout avec les deux joints toriques noirs en premier dans le tuyau vertical du boîtier.
5. Une fois que la membrane a été insérée dans le boîtier, poussez-la fermement pour bien insérer la membrane. Remettez le capuchon du boîtier de la membrane et serrez avec la clé fournie.
6. Réinstallez les raccords de tube dans le capuchon.
7. Suivez les instructions de démarrage à la page 30.

Remplacement du filtre de polissage au charbon actif granulé (CAG) (PUN4R0 seulement) :

1. Fermez la vanne d'entrée.
2. Fermez la vanne à bille du réservoir d'alimentation.
3. Ouvrez le robinet OI pour relâcher la pression dans le système OI.



Retirer le filtre de polissage GAC expiré :

1. Retirez la pince bleue « fer à cheval » en fixant le tuyau bleu de 1/4 po dans le raccord rapide sur le filtre de polissage CAG expiré. Débranchez ensuite le tuyau bleu en appuyant sur le collet et en retirant le tuyau bleu.
2. Répétez la même procédure pour retirer le tuyau blanc de 1/4 po de l'autre extrémité du filtre de polissage CAG.
3. Retirez le filtre de polissage expiré des supports de montage de filtre en plastique qui sont attachés au support de boîtier de filtre métallique.

Installation du nouveau filtre de polissage CAG :

1. Retirez l'emballage du nouveau filtre de polissage CAG. Placez le nouveau filtre sur les supports de montage en plastique comme illustré.
2. Remettez le tuyau bleu de 1/4 po dans la sortie du filtre. Remplacez la pince bleue « fer à cheval » pour fixer le tuyau en place.
3. Remettez le tuyau blanc de 1/4 po dans l'entrée du filtre. Remplacez la pince bleue « fer à cheval » pour fixer le tuyau en place.
4. Suivez les étapes 7 à 8 de « Entretien périodique du système » à la page 31.

Problème	Possible Cause	Solution
L'eau a l'air blanchâtre	Air dans le système	Cela arrive lors du démarrage initial du système. Cette couleur laiteuse disparaîtra lors de l'utilisation normale après 1 à 2 semaines.
Le robinet fait du bruit	Lame d'air du robinet	Les robinets à lame d'air font tous ce bruit.
	Emplacement de la pince de selle	Déplacez le drain en position horizontale.
	Tuyau d'évacuation bouché	Cela peut être causé par les débris provenant de l'unité d'élimination des ordures ou du lave-vaisselle. Débouchez le tuyau.
L'eau sort lentement	Faible pression de l'eau	Le système nécessite une pression de l'eau entrante minimale de 40 psi. Une pompe de surpression peut être nécessaire dans des régions à faible pression d'eau.
	Le système vient de démarrer	Normalement, il faut jusqu'à 2 heures pour remplir le réservoir d'alimentation.
	Faible pression de l'air dans le réservoir d'alimentation	Augmentez la pression d'air du réservoir. La pression doit être entre 5 et 7 psi lorsque le réservoir est vide.
	Tuyau pincé	Vérifiez le tuyau - redressez ou réparez au besoin.
	Pré-filtres obstrués	Remplacez les pré-filtres.
	Membrane encrassée	Remplacez la membrane.
L'eau a un goût ou une odeur désagréable	Le filtre de polissage GAC est épuisé	Remplacez le filtre à polissage CAG.
	Membrane encrassée	Remplacez la membrane.
	Désinfectant non rincé	Videz le réservoir d'alimentation et remplissez-le. Répétez cette étape trois fois.
L'eau ne s'évacue pas	Régulateur de débit de vidange obstrué	Remplacez le régulateur de débit de vidange.
L'eau fuit du trou de lame d'air du robinet	Le tuyau noir de 3/8 po est bouché, obstrué ou mal branché à la ligne de vidange	Débouchez le tuyau de vidange. Vérifiez que la ligne de vidange soit branchée correctement, et non obstruée ni tordue.
L'eau fuit au niveau des raccords	Joint non serré	Resserrez les raccords au besoin.
L'eau fuit au niveau des raccords à connexion rapide	Le tuyau n'est pas coupé droit	Coupez le bout du tuyau droit.
	Le tuyau n'est pas enfoncé jusqu'au bout	Poussez le tuyau jusqu'au bout.
	Tuyau entaillé ou la finition extérieure n'est pas lisse	Retirez le tuyau du raccord, coupez la zone problématique et réinsérez le tuyau dans le raccord.
L'eau fuit au niveau du raccord de puisard	Le puisard n'est pas verrouillé correctement	Mettez le puisard en position « Verrouiller ».
	Il manque le joint torique ou il est endommagé	Vérifiez les joints toriques et remplacez-les au besoin.

Modèles de système d'eau potable à osmose inverse : PUN3RO et PUN4RO

Le système doit être installé et exploité conformément aux procédures et directives recommandées par le fabricant. Le non-respect des instructions peut entraîner des fuites ou une panne du système et peut annuler la garantie.

Lisez les données de performance (à la page 36) et comparez la capacité du système avec vos besoins réels en matière de traitement de l'eau. Avant d'installer le système, il est recommandé de faire tester votre approvisionnement en eau pour déterminer vos besoins réels en matière de traitement de l'eau.

Fiche d'information sur l'arsenic

Ce système a été testé pour le traitement de l'eau contenant de l'arsenic pentavalent (également connu sous le nom d'As(V), As (5) ou Arsenate) à une concentration de 0,30 mg/L ou moins. Les systèmes réduisent les niveaux d'arsenic pentavalent, mais ne peuvent pas réduire d'autres formes d'arsenic. Ces systèmes doivent également être utilisés pour les réserves d'eau contenant un résidu de chlore libre détectable ou des approvisionnements en eau qui ne contiennent que de l'arsenic pentavalent. Le traitement à la chloramine (chlore combiné) n'est pas suffisant pour assurer la conversion totale de l'arsenic trivalent en arsenic pentavalent.

L'arsenic est un contaminant naturel que l'on trouve dans de nombreuses eaux souterraines. Il existe deux formes d'arsenic : l'arsenic pentavalent [également appelé As(V), As (5) ou Arsenate] et l'arsenic trivalent [As (III), As (no 3) et Arsenite]. Bien que les deux formes soient potentiellement nocives pour la santé humaine, l'arsenic trivalent est considéré comme plus nocif que l'arsenic pentavalent.

Dans l'eau, l'arsenic n'a ni couleur, ni goût ni odeur. Il doit être mesuré par un test en laboratoire. Les services publics de l'eau doivent faire tester leur eau pour trouver de l'arsenic. Vous pouvez en obtenir les résultats de votre service public d'eau. Si vous avez votre propre puits, vous pouvez faire tester l'eau. Le département local de la santé ou l'agence de santé environnementale de l'état ou de la province peut fournir une liste de laboratoires certifiés.

Les systèmes OI n'éliminent pas efficacement l'arsenic trivalent de l'eau. Les systèmes OI sont très efficaces pour réduire l'arsenic pentavalent. Si un résidu de chlore libre entre en contact avec votre approvisionnement en eau pendant au moins une minute, l'arsenic trivalent sera converti en arsenic pentavalent et sera réduit par les systèmes OI. D'autres produits chimiques de traitement de l'eau, comme l'ozone et le permanganate de potassium, changeront également l'arsenic trivalent en arsenic pentavalent. Un résidu de chlore combiné (également appelé chloramine) peut ne pas convertir tout l'arsenic trivalent. Si votre eau provient d'un service public de l'eau, contactez-les pour savoir si le chlore libre ou le chlore combiné est utilisé dans le réseau d'eau.

Le système nécessite un remplacement régulier de tous les filtres pour maintenir un bon fonctionnement. Selon l'utilisation et la qualité de l'eau influente, les filtres à carbone et à sédiments devraient être remplacés au moins chaque année, et la membrane OI devrait être remplacée tous les 2 ans. La variation des niveaux de chlore, de sédiments ou de MDT peut affecter la fréquence de remplacement.

Fiche de données de performance (suite) :

Le PUN3RO ont été testés et certifiés par NSF International selon les normes NSF/ANSI 42, 58 et CSA B483.1. Le PUN4RO a été testé et certifié par NSF International selon les normes NSF/ANSI 58 et CSA B483.1 pour la réduction des substances énumérées ci-dessous.

La concentration des substances indiquées dans l'eau entrant dans le système a été réduite à une concentration inférieure ou égale à la limite permise pour l'eau quittant le système, comme le précise la norme NSF/ANSI 58. Bien que les essais soient effectués dans des conditions de laboratoire standard, les performances réelles peuvent varier.

Réclamations de performance pour PUN3RO et PUN4RO

Substance	Cible de concentration moyenne dans l'eau influente	Niveau d'eau maximum autorisé	Exigence de réduction en pourcentage	Performance testée	
				Niveau dans l'eau produite ①	Réduction en pourcentage ①
Norme NSF 42					
Chlore (PUN3RO post-filtre seulement)	2.0 mg/L ± 10%		≥ 50%		91.8%
Particule de classe III (PUN3RO post-filtre seulement)	10,000/mL		≥ 85%		99.9%
Norme NSF 58					
Arsenic (pentavalent)	0.30 mg/L ± 10%	0.010 mg/L		0.007 mg/L	99.2%
Baryum	10.0 mg/L ± 10%	2.0 mg/L		0.43 mg/L	97.6%
Cadmium	0.03 mg/L ± 10%	0.005 mg/L		0.0014 mg/L	98.1%
Chrome (hexavalent)	0.30 mg/L ± 10%	0.10 mg/L		0.009 mg/L	98.5%
Chrome (trivalent)	0.30 mg/L ± 10%	0.10 mg/L		0.010 mg/L	96.7%
Cuivre	3.0 mg/L ± 10%	1.3 mg/L		0.1 mg/L	98.7%
Fluore	8.0 mg/L ± 10%	1.5 mg/L		0.4 mg/L	95.7%
Plomb	0.15 mg/L ± 10%	0.010 mg/L		0.005 mg/L	96.6%
Radium 226/228	25 pCi/L ± 10%	5 pCi/L		5 pCi/L	80%
Sélénium	0.10 mg/L ± 10%	0.05 mg/L		0.002 mg/L	97.9%
MDT	750 ± 40 mg/L	187 mg/L		25 mg/L	96.7%
Turbidité	11 ± 1 NTU	0.5 NTU		< 0.1 NTU	> 99.1%

Taux de production quotidien : 23.3 gpd

Efficacité : ② 16.03%

Recouvrement : ③ 30.11%

① Testé par NSF International selon la norme NSF/ANSI 42, 58 et CSA B483.1.

② La cote de l'efficacité signifie le pourcentage de l'eau influente qui entre dans le système qui est accessible à l'utilisateur comme eau traitée à osmose inverse dans des conditions typiques d'utilisation quotidienne.

③ La cote de recouvrement signifie le pourcentage de l'eau influente qui entre en contact avec la membrane du système et qui est accessible à l'utilisateur comme eau traitée à osmose inverse lorsque le système fonctionne sans réservoir d'alimentation ou lorsque le réservoir est contourné.

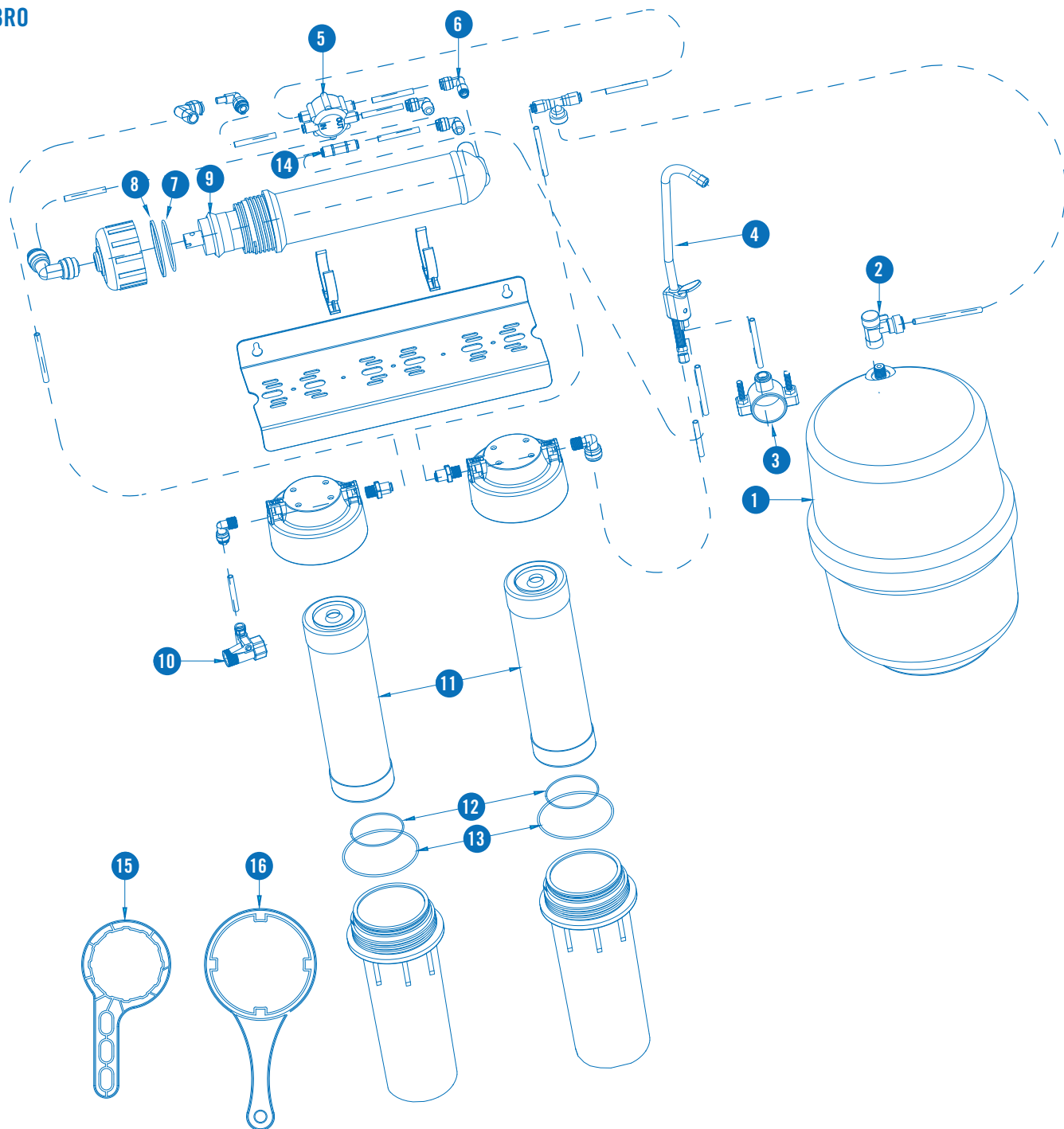
Fabriqué et garanti par GHP Group Inc.

États-Unis : 6440 W. Howard St. Niles, IL 60714-3302

Canada: 271 Massey Rd. Guelph, Ontario, N1K 1B2

Liste des pièces de rechange :

PUN3R0

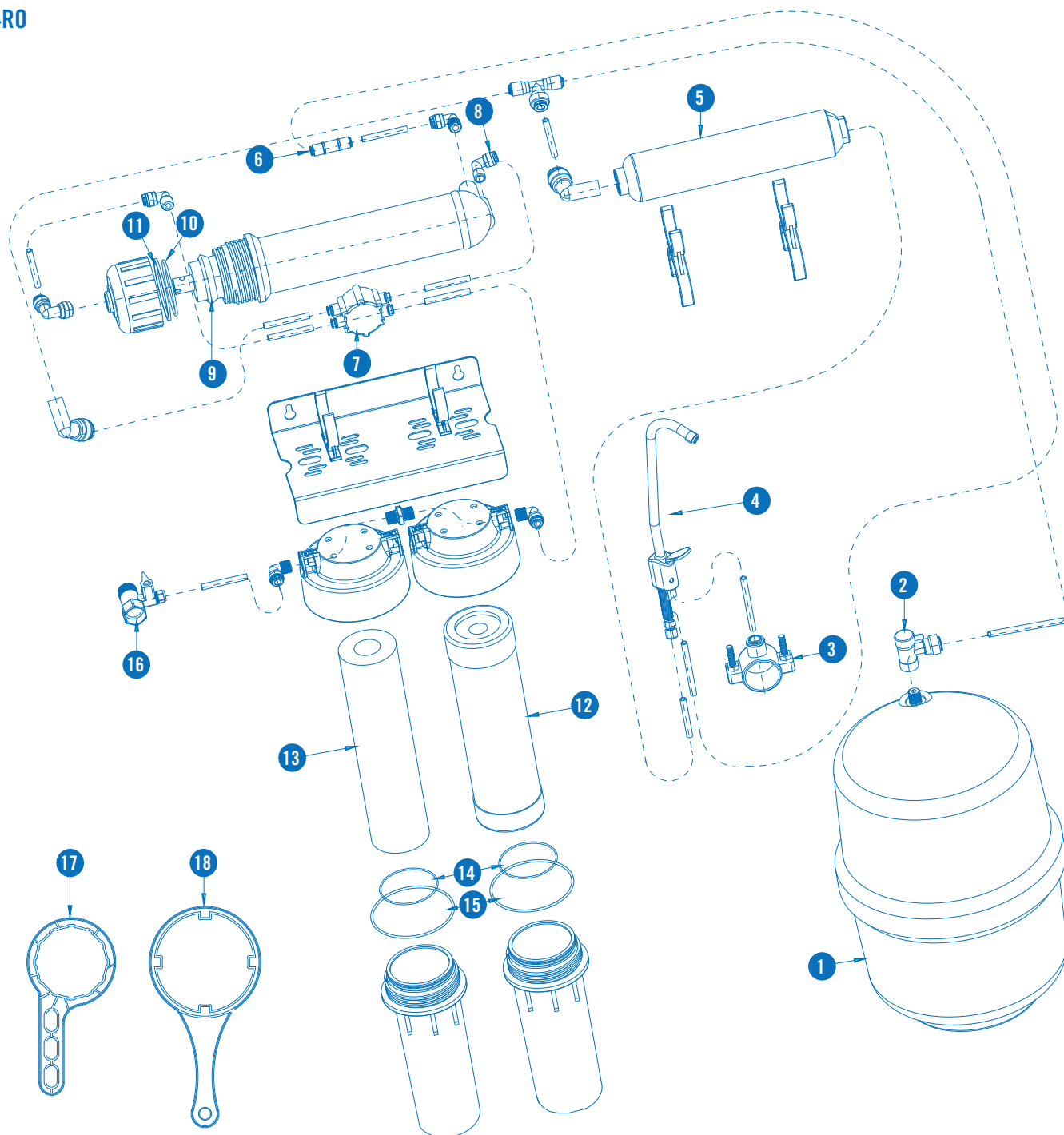


Art.	Description	No. de pièce
1	Réservoir d'alimentation	VVC10006
2	Vanne à bille du réservoir	VVC10005
3	Ensemble de pince de tige de selle	VVC10004
4	Ensemble de robinet à lame d'air	VVC10003
5	Vanne d'arrêt automatique	VVC10010
6	Coude QC à sens unique de 1/4 po	VVC10009
7	Petit joint torique, Puisard OI	VVC10014
8	Grand joint torique, Puisard OI	VVC10015

Art.	Description	No. de pièce
9	Membrane à osmose inverse	PUNROM
10	Ensemble de vanne d'entrée	VVC10001
11	Filtre de bloc de carbone	PUNCRB
12	Petit joint torique, Puisard de filtre	VVC10012
13	Grand joint torique, Puisard de filtre	VVC10013
14	Limiteur de débit, 300 ml	VVC10011
15	Clé de puisard OI	VVC10008
16	Clé de puisard de filtre	VVC10007

Liste des pièces de rechange :

PUN4R0



Art.	Description	No. de pièce
1	Réservoir d'alimentation	VWC10006
2	Vanne à bille du réservoir	VWC10005
3	Ensemble de pince de tige de selle	VWC10004
4	Ensemble de robinet à lame d'air	VWC10003
5	Filtre de polissage CAG	PROPF
6	Limiteur de débit, 300 ml	VWC10011
7	Vanne d'arrêt automatique	VWC10010
8	Coude QC à sens unique de 1/4 po	VWC10009
9	Membrane à osmose inverse	PUNROM

Art.	Description	No. de pièce
10	Petit joint torique, Puisard OI	VWC10014
11	Grand joint torique, Puisard OI	VWC10015
12	Filtre de bloc de carbone	PUNCRB
13	Filtre à sédiments	PUNSED
14	Petit joint torique, Puisard de filtre	VWC10012
15	Grand joint torique, Puisard de filtre	VWC10013
16	Ensemble de vanne d'entrée	VWC10001
17	Clé de puisard OI	VWC10008
18	Clé de puisard de filtre	VWC10007

Garantie :

Garantie limitée :

Cette garantie limitée est destinée à l'acheteur à la vente au détail initial de ce système de filtration et garantit le produit contre tout défaut de matériel et de fabrication pour une période d'un (1) an à partir de la date de vente au détail. GHP Group, Inc., à sa discrétion, fournira des pièces de rechange ou remplacera l'unité, lorsqu'il est correctement retourné au détaillant original un maximum d'un (1) an après l'achat du produit. (Les frais d'expédition, les coûts de main-d'œuvre, etc. sont la responsabilité de l'acheteur.)

Responsabilités du propriétaire :

Ce système de filtration doit être installé et exploité conformément aux instructions écrites fournies avec ce système. Cette garantie n'exempte pas le propriétaire de maintenir cette unité en bon état conformément aux instructions. Un reçu, un chèque annulé ou une preuve de paiement doivent être conservés pour confirmer la date d'achat et établir une période de garantie. L'emballage d'origine doit être conservé en cas de retour de l'appareil.

Qu'est-ce qui n'est pas couvert?

1. Des dommages causés par une mauvaise utilisation ou installation ou une utilisation qui va à l'encontre des directives de sécurité et du manuel du propriétaire.
2. L'utilisation de ce produit dans des régions où l'eau est microbiologiquement insalubre ou de qualité inconnue.
3. Des dommages causés par un manque d'entretien et de nettoyage normaux.
4. L'utilisation de pièces ou d'accessoires non OEM.
5. Des dommages causés en transit. Les frais d'expédition pour envoyer des pièces ou des produits à ou de l'usine sont la responsabilité du propriétaire.

CETTE GARANTIE LIMITÉE EST ACCORDÉE À L'ACHETEUR ET REMPLACE TOUTES AUTRES GARANTIES, EXPRIMÉES OU IMPLICITES, Y COMPRIS, MAIS SANS S'Y LIMITER, LES GARANTIES DE MARCHANDABILITÉ À UNE FIN PARTICULIÈRE. LA RÉPARATION PRÉVUE DANS CETTE GARANTIE EST EXCLUSIVE ET REMPLACE TOUS LES AUTRES RECOURS. EN AUCUN CAS GHP GROUP, INC. NE SERA RESPONSABLE DES DOMMAGES ACCESSOIRES OU CONSÉQUENTS.

Certains États/certaines provinces n'autorisent pas de limites quant à la durée d'une garantie implicite, donc les limites ci-dessus peuvent ne pas s'appliquer à vous. Certains États/certaines provinces n'autorisent pas l'exclusion ou la limitation des dommages accessoires ou conséquents, donc les limites ou l'exclusion ci-dessus peuvent ne pas s'appliquer à vous.

Les revendications sont traitées comme suit :

1. Contactez votre détaillant et expliquez le problème.
2. Si le détaillant n'est pas en mesure de résoudre le problème, contactez notre service clientèle pour leur informer du problème et leur donner le numéro de modèle et la preuve de la date d'achat.
3. Un représentant vous contactera. NE PAS RETOURNEZ L'UNITÉ À GHP GROUP, INC. sauf si notre représentant vous demande de le faire ou avec une autorisation écrite. Cette garantie vous donne des droits légaux spécifiques et vous pouvez également avoir d'autres droits qui varient selon l'État/la province en question.

Enregistrement du produit :

Pour enregistrer votre produit, veuillez visiter : ghpgroupinc.com/product-registration.html et dans les (14) jours suivant l'achat.

PUR®

**Sistemas de filtrado universal
por ósmosis inversa de instalación
debajo del fregadero**

**Manual del
propietario
PUN3R0
PUN4R0**



Tabla de contenido:

Medidas de seguridad.....	43	* Montaje de la válvula de bola en el tanque de almacenamiento....	9
Condiciones de funcionamiento	43	* Conexión de las líneas de agua	9
Contenido del paquete	44	* Conexión de los tubos usando los conectores de conexión rápida 52	
Herramientas requeridas para la instalación.....	44	* Conexión de la refrigerador (opcional).....	53
Diseño del sistema y sus componentes	45 - 47	Instrucciones para la puesta marcha	53
Instrucciones de instalación	5 - 10	Mantenimiento periódico del sistema	11
* Acceso a la línea de agua fría	49	Mantenimiento anual.....	12
* Perforación del orificio del grifo	49	Reemplazo de la membrana de OI.....	54
* Instalación del grifo con cámara de aire.....	50	Reemplazo del filtro de pulido CAG (PUN4RO solamente)	55
* Instalación de la abrazadera de montura del drenaje	7	Guía de solución de problemas	56
* Instalación de la membrana en su carcasa	7	Datos de funcionamiento	57 - 58
* Instalación de los cartuchos de los filtros.....	8	Lista de piezas de repuesto.....	59 - 61
* Montaje de la unidad de OI debajo del fregadero	9	Garantía.....	19

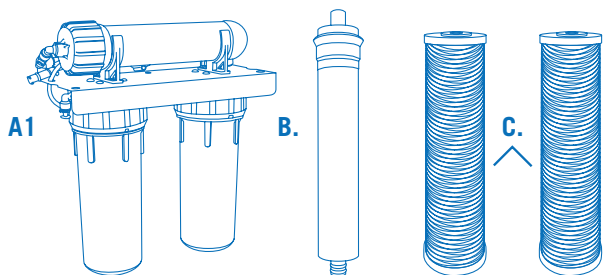
Medidas de seguridad:

- Usted deber seguir las indicaciones para instalar este sistema. Revise los códigos de fontanería y sanitarios de los departamentos de trabajos públicos de su provincia o estado, y local.
- Si la presión de la línea de agua de su casa es superior a 100 psi (libras por pulgada cuadrada), instale un regulador de presión en la línea de suministro de agua antes de instalar este sistema.
- El sistema es para el uso de agua fría solamente y debe estar protegido contra congelamiento, el cual puede dañar la unidad y ocasionar fugas de agua.
- No se utilice con agua que sea microbiológicamente insegura o de calidad desconocida sin su adecuada desinfección antes o después del sistema.
- Asegúrese de que el suministro de agua es conforme con las recomendaciones técnicas. Si las condiciones del suministro de agua son desconocidas, consulte a su compañía de agua municipal local o con el departamento sanitario acerca de la calidad y la lista de contaminantes del agua en su área.
- Cuando utilice el sistema por primera vez, o después de no haberlo utilizado prolongadamente (como unas vacaciones de más de una semana), el sistema debe ser purgado a fondo.
- Este sistema contiene cartuchos de filtros reemplazables con una vida útil limitada.

Condiciones de funcionamiento:

Límites de la presión del suministro de agua	40 - 100 psi (276-689 kPa)
Límites de la temperatura del suministro de agua	40 - 113°F (4.4 -45°C)
Límites del pH máximo del agua	4-10
Sólidos disueltos totales máximos (TDS).....	2,000 ppm
Dureza máxima del agua con pH 6.9.....	10 gpg
Contenido máximo de hierro / manganeso / sulfuro de hidrógeno.....	0.2/0/0 mg/L
Contenido máximo de cloro en el suministro de agua	2.0 ppm
Control de apagado automático	Si

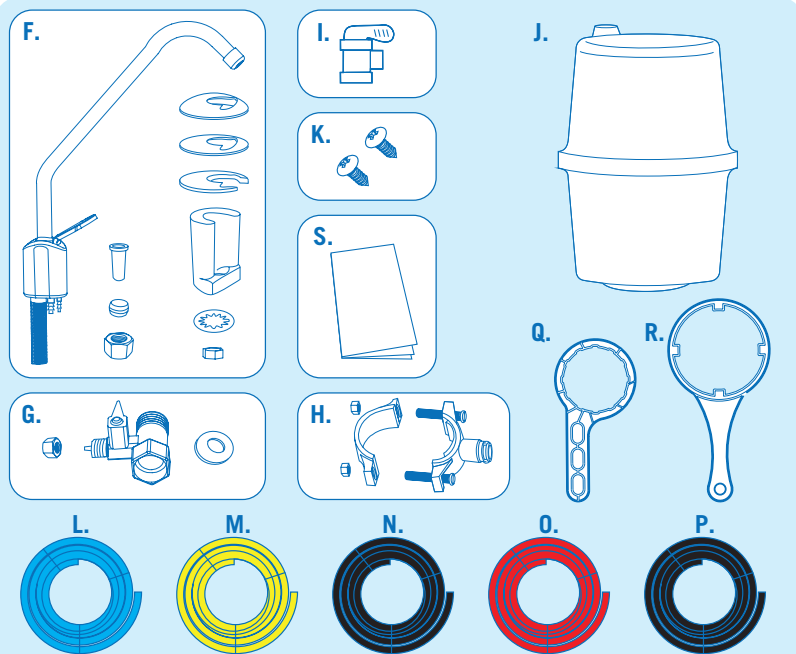
Contenido del paquete:



PUN3RO

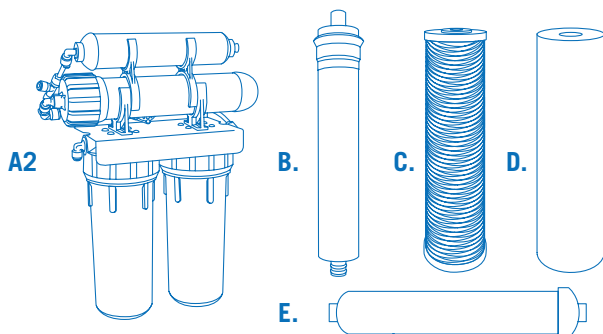
Art.	Descripción	Cant.
A1	Ensamblaje de la unidad	1
B	Membrana de OI	1
C	Filtro de bloqueo de carbón	2

+



JUEGO DE ACCESORIOS

Art.	Descripción	Cant.
F	Juego de grifo con cámara de aire	1
G	Juego de válvula de entrada	1
H	Juego de abrazadera de montura del drenaje	1
I	Válvula de bola del tanque	1
J	Tanque de almacenamiento	1
K	Tornillo de montaje	2
L	6' de tubo azul de 1/4"	1
M	6' de tubo amarillo de 1/4"	1
N	6' de tubo negro de 1/4"	1
O	6' de tubo rojo de 1/4"	1
P	6' de tubo negro de 3/8"	1
Q	Llave del sumidero de ósmosis inversa	1
R	Llave del filtro del sumidero	1
S	Guía de instalación, uso y cuidado	1

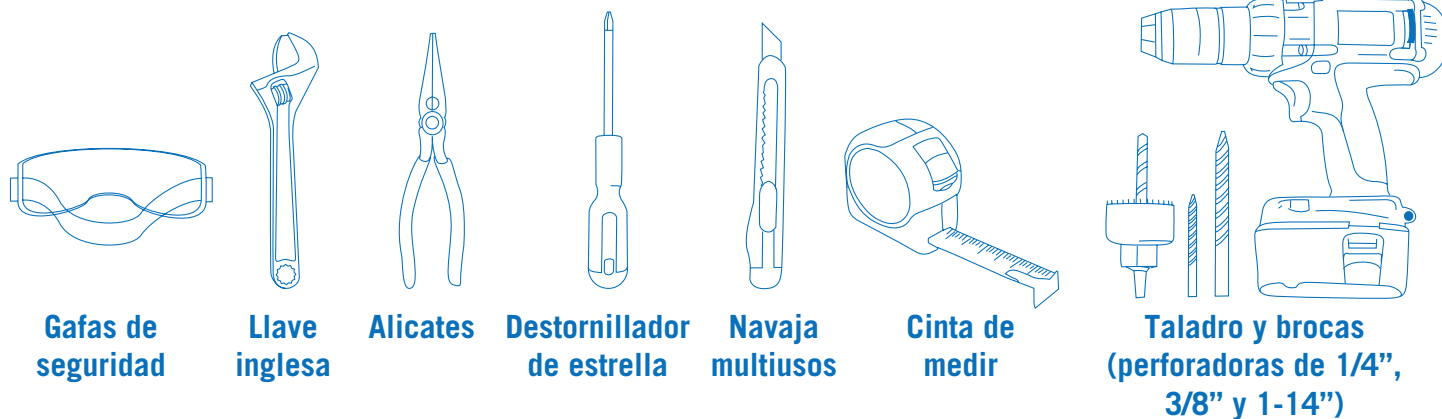


PUN4RO

Art.	Descripción	Cant.
A2	Ensamblaje de la unidad	1
B	Membrana de OI	1
C	Filtro de bloqueo de carbón	1
D	Filtro de sedimentos	1
E	Filtro de pulido de carbón activo granulado (CAG)	1

+

Herramientas requeridas para la instalación:



Gafas de seguridad

Llave inglesa

Alicates

Destornillador de estrella

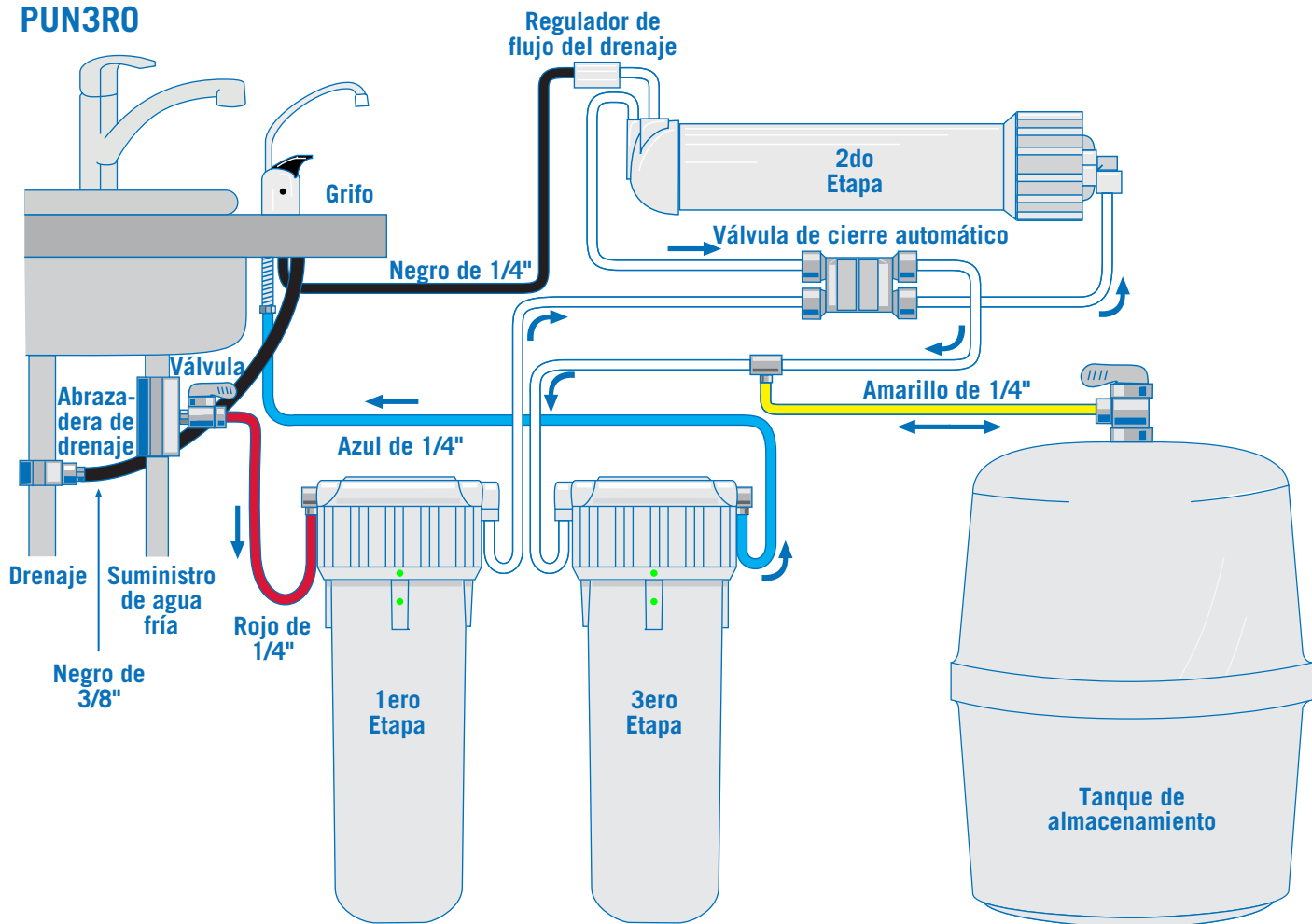
Navaja multiusos

Cinta de medir

Taladro y brocas (perforadoras de 1/4", 3/8" y 1-14")

Diseño del sistema y sus componentes:

PUN3RO

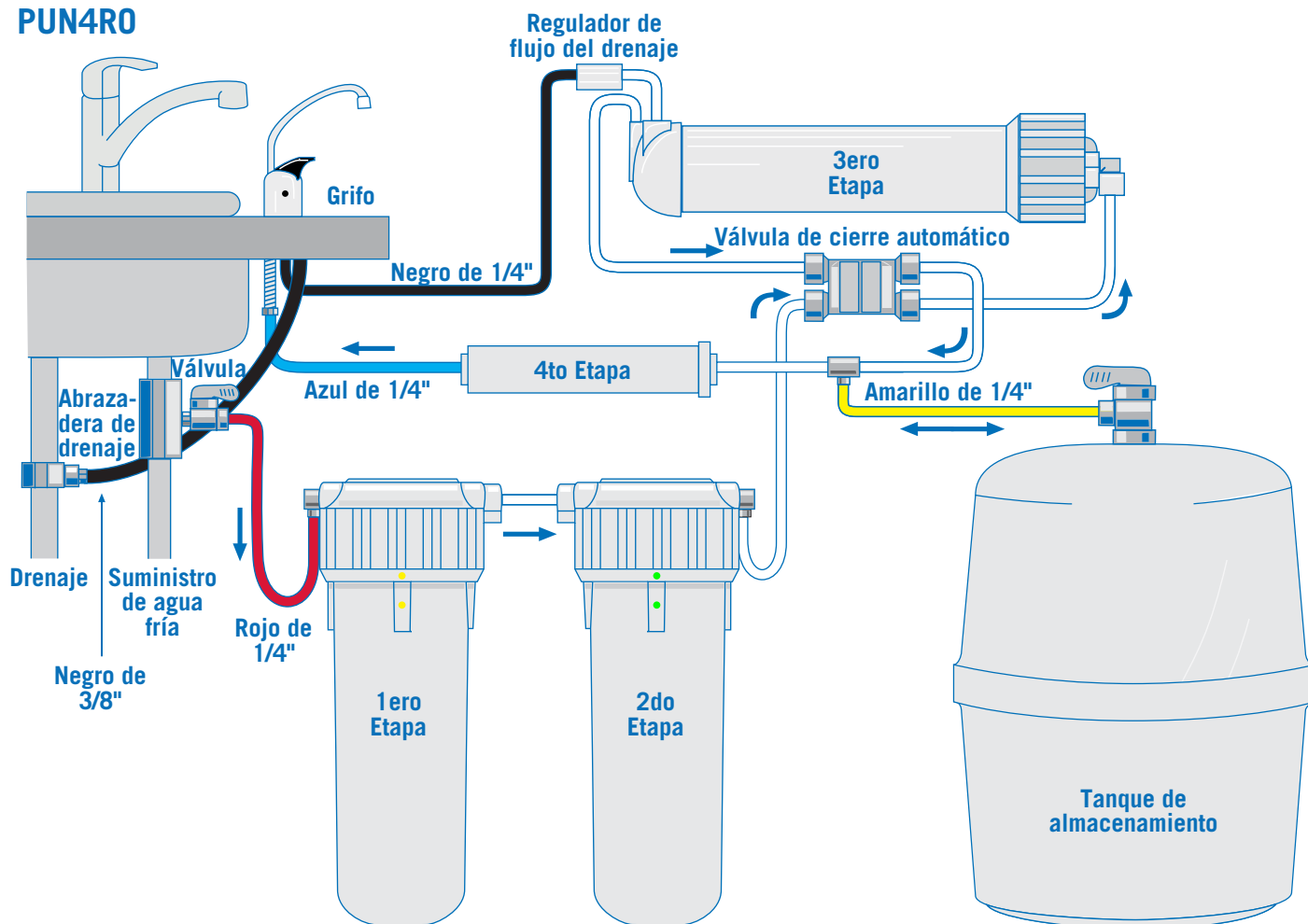


Piezas de repuesto

Etapa del filtro	Número de pieza	Descripción	Vida útil	Código de color del filtro
1ero	PUNCRB	Filtro de bloqueo de carbón	6 meses	Punto verde
2do	PUNROM	Membrana de OI	24 meses	N/A
3ero	PUNCRB	Filtro de bloqueo de carbón	6 meses	Punto verde

Diseño del sistema y sus componentes (continuado):

PUN4R0



Piezas de repuesto

Etapa del filtro	Número de pieza	Descripción	Vida útil	Código de color del filtro
1ero	PUNSED	Filtro de sedimentos	6 meses	Punto amarillo
2do	PUNCRB	Filtro de bloqueo de carbón	6 meses	Punto verde
3ero	PUNROM	Membrana de OI	24 meses	N/A
4to	PROPF	Filtro de pulido de carbón activo granulado (CAG)	6 meses	N/A

Instrucciones de instalación:

Acceso a la línea de agua fría (vea las figuras 1 y 2):

PRECAUCIÓN: El suministro de agua a su unidad **DEBE** ser desde una **LÍNEA DE AGUA FRÍA**. Agua caliente dañará seriamente su sistema de filtrado.

1. Cierre el suministro de agua fría cerrando la válvula de corte de suministro debajo del fregadero. Si la línea de agua fría no tiene válvula de corte de suministro debajo del fregadero, cierre la línea principal de agua de la casa.
2. Coloque una toalla debajo de la línea de agua fría para recoger el exceso de agua. Abra el grifo de agua fría y déjelo drenar el agua de la línea. En un grifo de una sola manija, el agua caliente debe estar cerrada para evitar cualquier paso cruzado de agua caliente.
3. Afloje la tuerca y separe el tubo flexible tejido de agua fría del grifo de agua fría de la cocina. Fije la válvula de entrada al mango del grifo utilizando la tuerca de goma. Reinstale el tubo flexible tejido de la válvula de entrada y apriete con una llave inglesa.
4. Inserte un tubo rojo de 1/4" sobre el tubo guía de la válvula de entrada. Apriete la tuerca de compresión con una llave inglesa.

Perforación del orificio del grifo (vea la figura 3):

El grifo de agua potable debe ser posicionado teniendo en mente funcionalidad, practicidad y apariencia estética. Se necesita una superficie plana adecuada para permitir que el grifo se apoye de forma segura. Revise que no haya interferencias en la parte de abajo de la ubicación elegida. La mayoría de los fregaderos tienen orificios pretaladrados de 1-1/4" de diámetro diseñados para latiguillos de rociado. El grifo de agua potable debe ser instalado utilizando uno de estos orificios a pesar de su gran tamaño. Si los orificios pretaladrados no se pueden utilizar o están en una ubicación no deseada, será necesario perforar un orificio de 1-1/4" en el fregadero o en la bancada cercana al fregadero o al grifo.

PRECAUCIÓN: No perforar a través de una bancada que tenga más de 1" de espesor.

PRECAUCIÓN: No intente perforar a través de una bancada de cerámica, mármol, granito o similar. Consulte con un fontanero o el fabricante de la bancada para que le asesoren o asistan.

PRECAUCIÓN: Cuando esté perforando a través de una bancada asegúrese de que el área debajo del área perforada no tenga cableado o tuberías. Asegúrese de que tiene suficiente espacio para hacer la conexión apropiada debajo del grifo.

PRECAUCIÓN: No intente perforar a través de un fregadero de porcelana o revestido de porcelana. Para aplicaciones en este tipo de fregaderos recomendamos utilizar el orificio del rociador o montar el grifo a través de la bancada. De lo contrario consulte a un fontanero o al fabricante para que le asesoren o asistan.

1. Revista el fondo del fregadero con papel de periódico para evitar que caigan virutas, piezas o herramientas en el drenaje.
2. Coloque cinta adhesiva sobre el área a ser perforada para ayudar a evitar rayones si la broca se resbala.
3. Marque un punto con un marcador de centro. Utilice una broca de 1/4" para perforar un orificio piloto.
4. Utilice una broca de taladro de 1-1/4" para agrandar el orificio. Suavice los bordes ásperos con una lima.

Figura 1

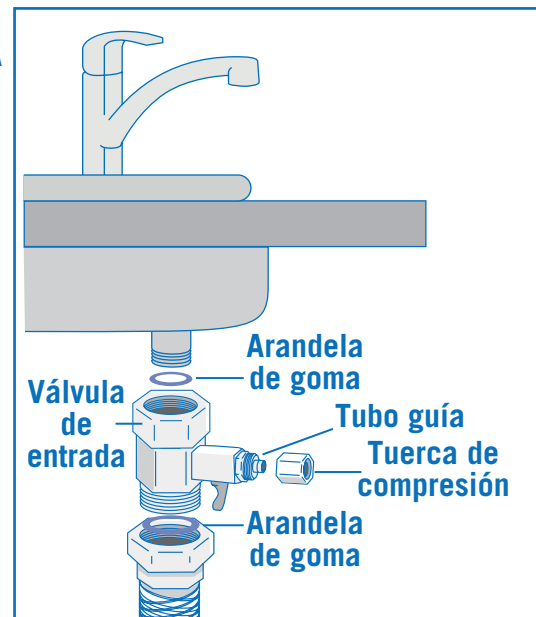


Figura 2

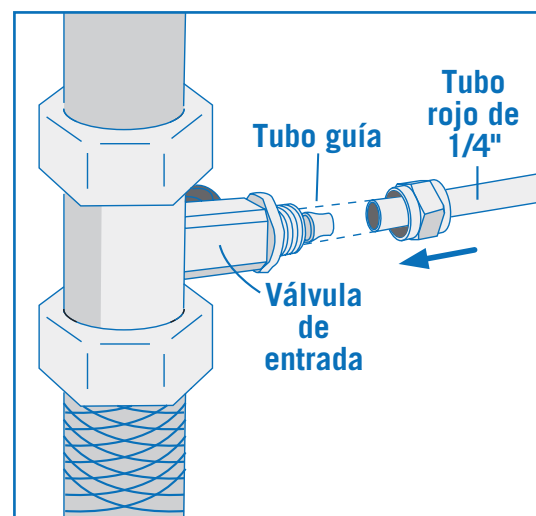
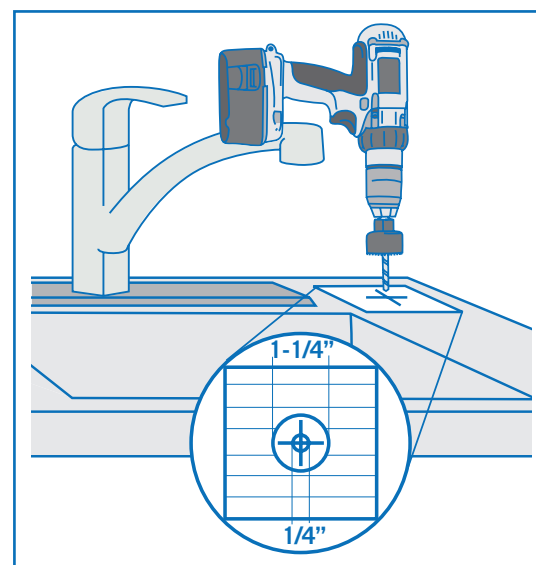


Figura 3



Instrucciones de instalación (continuado):

Instalación del grifo con cámara de aire (vea las figuras 4, 5 y 6):

PRECAUCIÓN: : El uso de un grifo de cámara de aire es requerido generalmente por el código de fontanería en los EUA y Canadá. Asegúrese de que la instalación cumple con todos los códigos de fontanería necesarios en su localidad. El grifo de cámara de aire evitará que las aguas residuales contaminen los filtros de ósmosis inversa si hay una obstrucción en la línea de drenaje.

1. Afloje la tuerca del vástago en el grifo.
2. Deslice la placa de cromo y la arandela de goma negra en el vástago del grifo.
3. Conecte el tubo de drenaje negro de 1/4" hasta que llegue al acople de 1/4" en el grifo con cámara de aire.
4. Luego conecte el tubo negro de 3/8" al acople de 3/8" en el grifo con cámara de aire.

NOTA: Asegúrese de que el tubo esté metido completamente hasta el final del acople.

NOTA: El tubo de drenaje negro de 3/8" tiene alimentación por gravedad a la conexión de la abrazadera de montura del drenaje. Asegúrese de que no hay torceduras, bucles o dobleces muy marcadas en el tubo negro de 3/8". Si no está recto hasta el drenaje puede que el agua se devuelva, saliéndose a través de la cámara de aire en el grifo hasta la bancada o debajo del grifo.

5. La placa de cromo, arandela de goma y cuerpo del grifo van instalados encima del fregadero o bancada.
6. Introduzca el tubo negro de 3/8" y de 1/4" a través del orificio pretaladrado en el fregadero y/o bancada.
7. Coloque el grifo a través del orificio perforado para el grifo, luego coloque el espaciador, base de montaje, arandela de estrella y tuerca del vástago.
8. Apriete la tuerca del vástago firmemente mientras alinea el grifo en la ubicación deseada.
9. Suavemente deslice hacia abajo la tuerca de compresión del grifo sobre el tubo azul de 1/4", seguido del casquillo. Luego empuje el inserto en el extremo final del tubo.
10. Empuje firmemente el tubo dentro del vástago del grifo hasta que se detenga. Atornille manualmente la arandela en la rosca del vástago. Apriete con una llave inglesa.

Figura 4

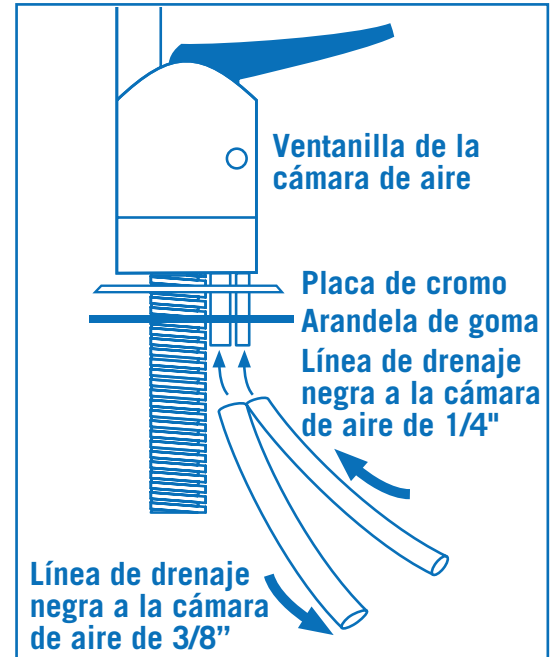


Figura 5

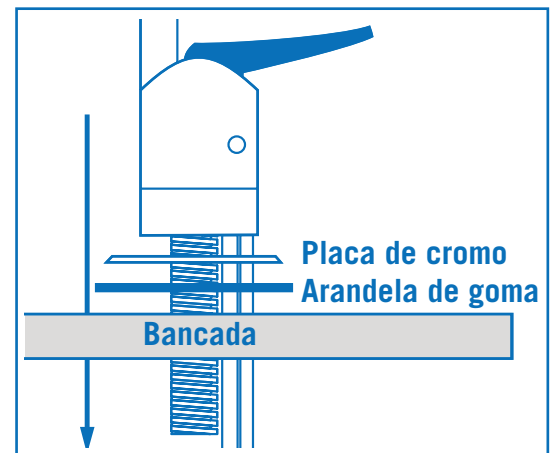
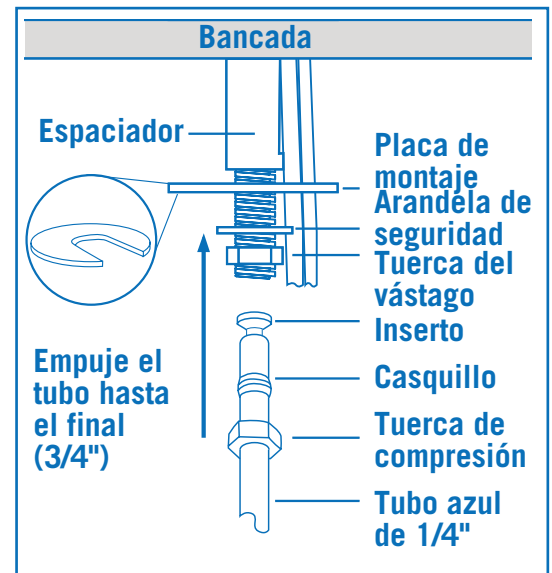


Figura 6



Instrucciones de instalación (continuado):

Instalación de la abrazadera de montura del drenaje (vea las figuras 7 y 8):

1. Fije la abrazadera del drenaje a la parte vertical de la tubería de drenaje, aproximadamente 2 pulgadas por encima del drenaje.
2. Utilizando como guía los orificios para accesorios de la abrazadera del drenaje, perforo un orificio de 1/4" atravesando un lateral de la tubería de drenaje.

PRECAUCIÓN: No atraviese hasta el lado opuesto de la tubería.

3. Quite la abrazadera del drenaje de la tubería de drenaje y alargue el orificio con una broca de 3/8". Utilice una lima para quitar los bordes ásperos del orificio perforado.
4. Corte recto el extremo del tubo negro de 3/8". Inserte el tubo a través del conector de conexión rápida de la abrazadera de montura del drenaje aproximadamente 1" dentro de la pared interior de la abrazadera de montura del drenaje.
5. Asegúrese de que la junta de goma negra esté pegada a la pared interior de la abrazadera y coloque la abrazadera sobre la tubería de drenaje. Inserte el tubo negro de 3/8" en el orificio perforado. Apriete la abrazadera.

PRECAUCIÓN: No apriete los tornillos demasiado, podría romperse la abrazadera.

PRECAUCIÓN: El tubo negro de 3/8" debe ser tan CORTO y RECTO como sea posible para la montura de drenaje, con una pendiente hacia abajo desde el grifo hasta la montura de drenaje para facilitar un drenaje correcto. Esta es una línea de alimentación por gravedad y si hay algún doblez o golpe en el tubo, el agua de enjuagado no fluirá hacia el drenaje correctamente. El agua podría retornar y salirse por el orificio de la cámara de aire del grifo.

Figura 7

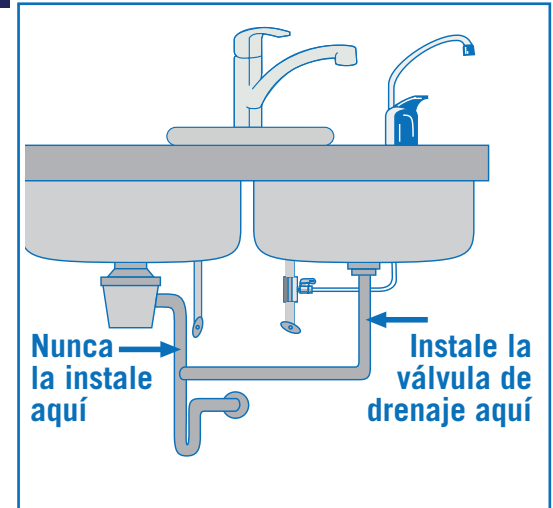


Figura 8

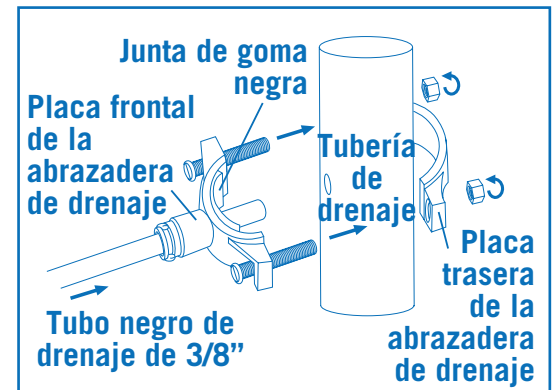
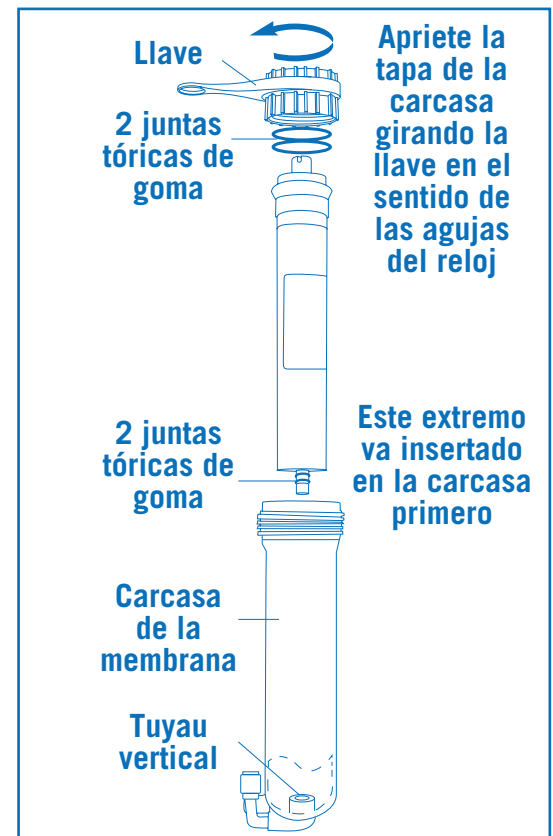


Figura 9



Instalación de la membrana en la carcasa de la membrana (vea la figura 9):

1. Quite la conexión del tubo desde la tapa de la membrana de OI.
2. Afloje la tapa utilizando la llave provista en sentido contrario a las agujas del reloj.
3. Lubrique con agua las juntas tóricas en la membrana. Inserte primero el extremo con las dos juntas tóricas negras en el tubo vertical dentro de la carcasa del filtro.
4. Una vez que la membrana haya sido insertada dentro de la carcasa empújela firmemente para asentar la membrana correctamente.
5. Revise para ver que la junta tórica esté correctamente asentada en la tapa. Vuelva a colocar la tapa de la carcasa de la membrana y utilizando la llave suministrada apriete en el sentido de las agujas del reloj.

Instrucciones de instalación (continuado):

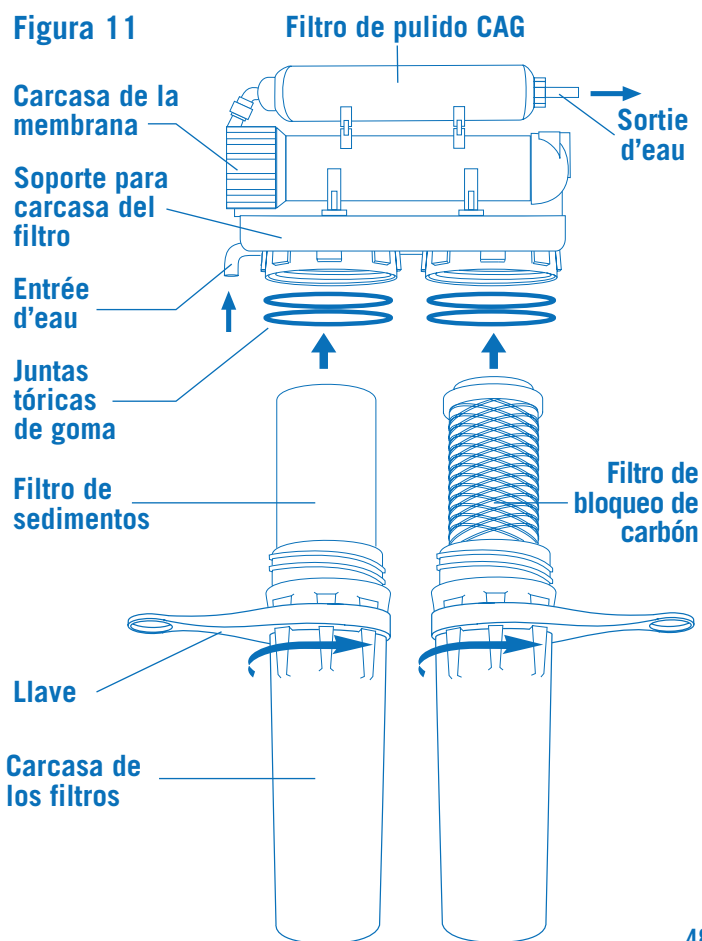
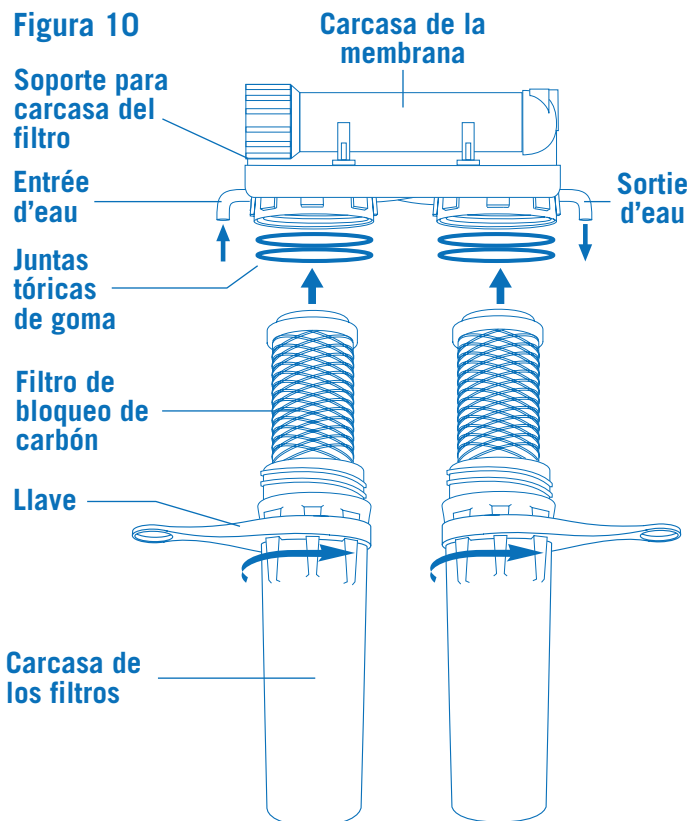
Instalación de los cartuchos de los filtros y las carcassas de los filtros (vea las figuras 10 u 11):

PRECAUCIÓN: Usted debe mantener los filtros y las carcassas de los filtros en posición vertical durante la instalación para conseguir el máximo rendimiento.

PUN3RO

1. Inserte un filtro de bloque de carbono en la carcassa del 1er filtro, la cual es la que está del lado de la entrada de agua (tubo rojo) del sistema de OI, e instale la carcassa en el cabezal de la carcassa enroscando en sentido contrario a las agujas del reloj. Apriete utilizando la llave suministrada.
2. Inserte el filtro de bloque de carbono en la segunda carcassa y enrosque la carcassa en el cabezal de la carcassa girando en sentido contrario a las agujas del reloj. Apriete utilizando la llave suministrada.

NOTA: Asegúrese de que los indicadores de unión en el cabezal y la carcassa estén alineados.



PUN4RO

1. Inserte un filtro de sedimentos (aspecto de tela) en la carcassa del 1er filtro, la cual es la que está del lado de la entrada de agua (tubo rojo) del sistema de OI, e instale la carcassa en el cabezal de la carcassa enroscando en sentido contrario a las agujas del reloj. Apriete utilizando la llave suministrada.
2. Inserte el filtro de bloque de carbono en la segunda carcassa y enrosque la carcassa en el cabezal de la carcassa girando en sentido contrario a las agujas del reloj. Apriete utilizando la llave suministrada.

NOTA: Asegúrese de que los indicadores de unión en el cabezal y la carcassa estén alineados.

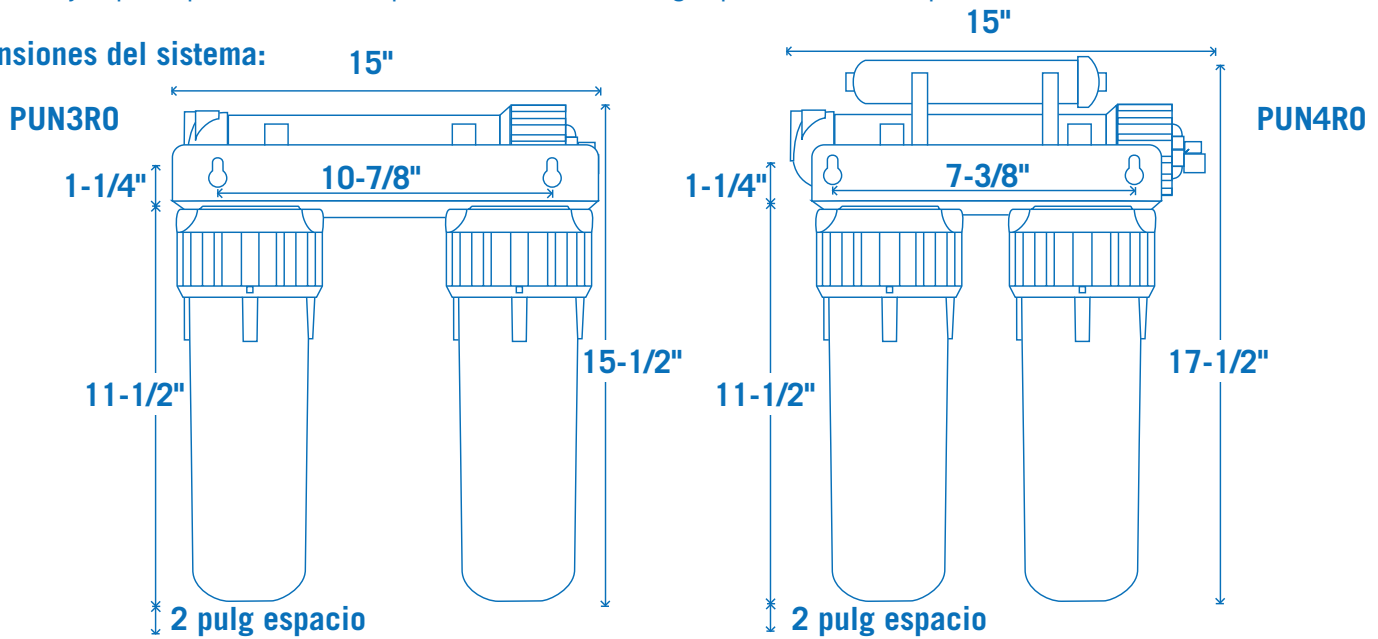
PRECAUCIÓN: Si usted ve el sistema de frente, el filtro de sedimentos debe estar a la izquierda y el filtro de bloque de carbono debe estar a la derecha

Instrucciones de instalación (continuado):

Montaje de la unidad de ósmosis inversa debajo del fregadero:

1. Posicione la unidad de OI en las paredes posteriores o del lado derecho debajo del fregadero. Asegúrese de dejar suficiente espacio para la instalación y conexiones de fontanería. Para cambiar los cartuchos del filtro se necesita 1" de espacio libre debajo de las carcasas del filtro.
2. Instale los tornillos de montaje al menos a 15-3/4" desde el suelo del mueble. Deje un espacio de 1/4" entre la cabeza del tornillo y la pared para deslizar el soporte en los tornillos. Luego apriete los tornillos para asegurar el sistema.

Dimensiones del sistema:



Montaje de la válvula de bola en el tanque de almacenamiento (vea las figuras 12 y 13):

1. Conecte la válvula de bola en la rosca del tanque de almacenamiento en la parte superior del tanque. Asegúrese de que la junta de goma quede plana. Apriete la válvula, pero no la apriete demasiado.
2. Conecte el tubo amarillo de 1/4" a la válvula de bola. Empuje el tubo completamente para asegurarse de que esté colocado correctamente.
3. Cierre la válvula de bola.

Conexión de los tubos:

PRECAUCIÓN: Antes de cortar los tubos suministrados, mida la distancia entre los componentes.

Todos los tubos están codificados por colores para facilitar la instalación.

Negro de 1/4": Conecta las aguas residuales desde la membrana de OI a la línea de entrada del grifo con cámara de aire.

Rojo de 1/4": Conecta la válvula de entrada del suministro de agua fría a la entrada del sistema.

Amarillo de 1/4": Conecta la membrana de OI al tanque de almacenamiento

Azul de 1/4": Conecta la salida del sistema al grifo.

Negro de 3/8": Conecta el grifo a la abrazadera de montura del drenaje.

Nota: Consulte el diagrama en la página 43 o 44 para el color y punto de conexión en el sistema de ósmosis inversa.

Figura 12

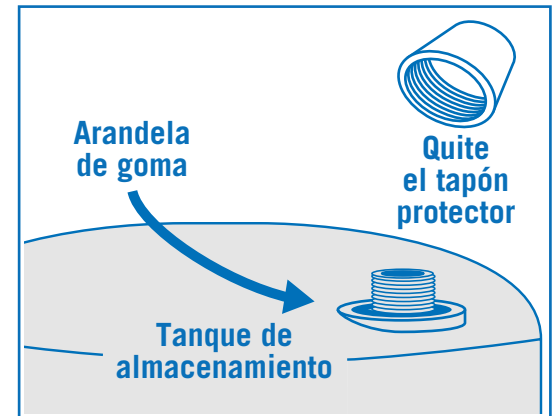
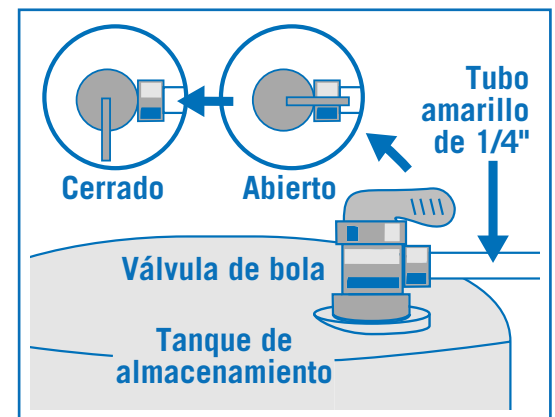


Figura 13



Instrucciones de instalación (continuado):

Conexión de los tubos usando los conectores de conexión rápida (vea las figuras 13, 14 y 15):

Cada punto de conexión tiene tapones coloreados que corresponden con el color del tubo que conecta a ese punto. Los tapones deben ser removidos antes de instalar los tubos.

Los conectores de conexión rápida son utilizados en todo el sistema. Para asegurar un sellado óptimo, los tubos deben cortarse con el extremo recto. Un corte angular o distorsión de los tubos no proporcionará un sellado óptimo y pueden producirse fugas.

1. Quite la pinza en forma de herradura del collar.
2. Saque y deseche el tapón protector empujando el collar hacia adentro y sujetándolo con los dedos.
3. Inserte el tubo en el collar. El tubo se acopla completamente cuando entra una longitud de 11/16" dentro del racor con tubos de 1/4", y una longitud de 3/4" con tubos de 3/8".

NOTA: Asegúrese de que los tubos estén completamente empujados hasta el mecanismo de protección

4. Vuelva a colocar la pinza en forma de herradura en el collar.

Figura 14

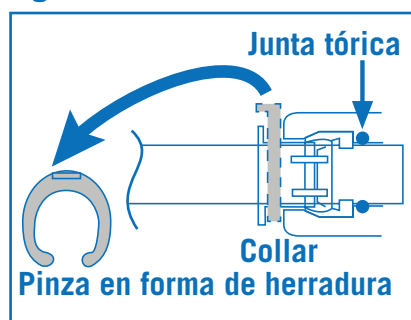


Figura 15

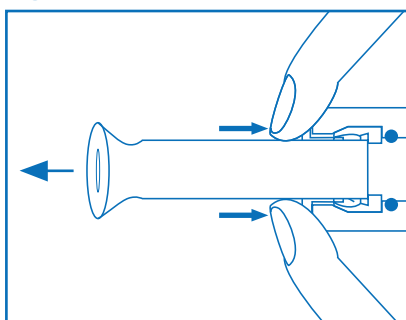
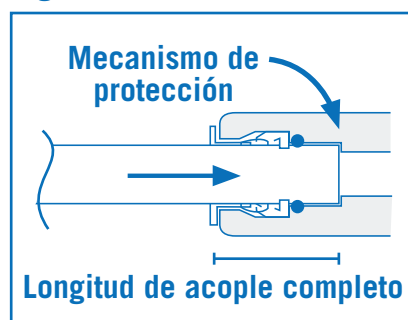


Figura 16



Conexión para refrigerador (opcional):

Instale un tubo plástico de polipropileno de 1/4" si su refrigerador está dentro de un radio de 25 pies de su unidad de ósmosis inversa. No utilice tubos de cobre ya que pueden impregnarles un sabor desagradable a los cubos de hielo. Si el refrigerador está a más de 25 pies de la unidad de ósmosis inversa se recomienda utilizar tubos de 3/8". Instale una T en el tubo azul entre la salida del sistema y el grifo. Se recomienda utilizar una válvula de bola en la línea que va a la máquina de hielo para permitir que la presión aumente lo suficiente en el tanque de almacenamiento para que la válvula solenoide de la máquina de hielo funcione correctamente. Deje la válvula de bola en la posición cerrada hasta que el tanque esté lleno después de que el procedimiento de puesta en marcha se haya completado.

Instrucciones de puesta en marcha:

NOTA: Si usted ha conectado su sistema de ósmosis inversa a un refrigerador o máquina de hielo, asegúrese de que la máquina de hielo esté apagada (no permita que fluya agua hasta la máquina de hielo hasta que se haya completado la purga y el tanque haya podido llenarse completamente). La conexión desde el sistema de OI hasta la máquina de hielo debe tener una válvula en línea instalada antes de la máquina de hielo para que se pueda cerrar fácilmente para evitar que fluya agua a la máquina de hielo durante la puesta en marcha y mantenimiento periódico. Su tanque de ósmosis inversa debe poder llenarse completamente para que el sistema de la máquina de hielo funcione correctamente.

1. Gire tanto la válvula de entrada como la válvula de bola del tanque de almacenamiento a la posición abierta.
2. Asegúrese que el grifo de ósmosis inversa esté cerrado.
3. Lentamente abra la válvula de suministro de agua fría que había cerrado al comienzo de esta instalación.
4. Comenzará a aumentar la presión de agua en el sistema de ósmosis inversa en 2 horas aproximadamente a medida que aumente la presión en el tanque de almacenamiento. Cuidadosamente inspeccione todos los acoples y conexiones. Revise que no haya fugas y repárelas si las encuentra.
5. Usted debe llenar y purgar al menos 2 tanques de agua de ósmosis inversa antes de que esté lista para su consumo.
6. After purging, your RO system is ready for use.

NOTA: Usted no tendrá agua filtrada inmediatamente. Tomará 2 horas para llenar completamente el tanque de almacenamiento para que el agua fluya libremente desde el grifo de ósmosis inversa.

Mantenimiento periódico del sistema:

Dependiendo del modelo que haya comprado, la siguiente tabla le ayudará con el reemplazo de filtros. El filtro de reemplazo puede conseguirse en línea en www.ghpgroupinc.com o en la tienda donde se compró el sistema.

No. de modelo	Juego de filtro de reemplazo <i>Reemplácelo cada 6 meses</i>	Membrana de ósmosis inversa <i>Reemplácela cada 24 meses</i>
PUN3RO	PUNCRBKIT (contiene: 2x PUNCRB)	PUNROM
PUN4RO	PUN4ROKIT (contiene: 1x PUNCRB, 1x PUNSED, 1x PROPF)	PUNROM

PRECAUCIÓN: Si no se reemplaza el filtro de carbono anualmente se dañará la membrana de ósmosis inversa si el suministro es de agua tratada con cloro.

NOTA: Utilice la llave del sumidero suministrada con el sistema de OI.

1. Cierre el suministro de entrada de agua al sistema de OI girando la válvula de entrada en el sentido de las agujas del reloj hasta que se detenga.
2. Cierre la válvula de bola del tanque de almacenamiento.
3. Abra el grifo de ósmosis inversa y deje que corra el agua para liberar presión del sistema.

NOTA: Se puede recoger el agua en un contenedor para beberla o para enjuagar piezas del sistema.

4. Para facilitar el reemplazo de los filtros, usted puede dejar la unidad de ósmosis inversa montada en la pared del mueble. Si usted no puede acceder a la unidad mientras está instalada, muévala antes de cambiar los filtros. Comenzando con la carcasa del filtro de la etapa 1, quítelo girándolo en el sentido de las agujas del reloj (izquierda), vacíe el agua y luego deseche el filtro. Continúe con la 2da carcasa (etapa 2).
5. Limpie los contenedores de las carcasas de los filtros con una solución de jabón suave y enjuáguelos con agua. Revise la junta tórica y lubríquela con agua solamente. No utilice lubricantes a base de petróleo como Vaselina.

NOTA: Antes de volver a instalar las carcasas de los filtros en el sistema, revise las juntas tóricas para asegurarse de que todavía estén en su lugar.

Para el modelo PUN3RO:

1. Instale un nuevo filtro de bloque de carbono PUNCRB (con tapa blanca y malla plástica) en la carcasa del 1er filtro, la cual es la que está del lado de la entrada de agua del sistema de ósmosis inversa, y vuelva a instalar las carcasas en el cabezal. Apriete con la llave suministrada.
2. Inserte un nuevo filtro de bloque de carbono PUNCRB (con tapa blanca y malla plástica) en la carcasa del 2do filtro y vuelva a instalar las carcasas en el cabezal. Apriete con la llave suministrada.

Continúe con el paso 6.

Para el modelo PUN4RO:

1. Inserte un nuevo filtro de sedimentos PUNSED (aspecto de tela) en la carcasa del 1er filtro, la cual es la que está del lado de la entrada de agua (tubo rojo) del sistema de OI, y vuelva a instalar la carcasa en el cabezal. Apriete con la llave suministrada.
2. Inserte un nuevo filtro de bloque de carbono PUNCRB (con tapa blanca y malla plástica) en la carcasa del 2do filtro y vuelva a instalar las carcasas en el cabezal. Apriete con la llave suministrada.

Continúe con el paso 6.

6. Abra el suministro de agua girando la válvula de entrada en sentido contrario a las agujas del reloj.
7. Abra el grifo de ósmosis inversa y déjelo abierto hasta que comience a salir un hilo de agua (saldrá muy lentamente). Deje que gotee durante 15 minutos.
8. Cierre el grifo.
9. Abra la válvula de bola del tanque de almacenamiento. ¡El sistema de filtrado de agua por ósmosis inversa está listo para su uso!

Mantenimiento anual:

NOTA: Se recomienda desinfectar la unidad.

1. Realice los pasos 1 al 5 del mantenimiento periódico del sistema.

NOTA: Si no va a desinfectar el sistema, salte a los pasos 2 al 6.

2. Quite la membrana de OI de la carcasa y colóquela en un lugar higiénico limpio. (Consulte la sección de reemplazo de la membrana para instrucciones sobre cómo quitar la membrana). Vuelva a colocar la tapa en la carcasa vacía de la membrana y vuelva a conectar los tubos.
3. Quite los filtros de las dos carcasas verticales de los filtros. Mida y eche 1/2 taza de agua oxigenada o 2 cucharadas de lejía de uso doméstico en la carcasa del 1er filtro y vuelva a colocar las 2 carcasas de filtro vacías en la unidad utilizando la llave suministrada.
4. Con el grifo de ósmosis inversa en posición cerrada, abra el suministro de agua de entrada al sistema girando la válvula de entrada en sentido contrario a las agujas del reloj. Espere 1 minuto a que la unidad presurice. Abra el grifo de ósmosis inversa y deje correr el agua durante 30 segundos. Cierre el grifo de ósmosis inversa y deje descansar a la unidad durante 2 minutos. Finalmente, abra el grifo de ósmosis inversa y deje correr el agua durante 5 minutos.
5. Cierre el suministro de agua de entrada al sistema girando la válvula de entrada en el sentido de las agujas del reloj hasta que se detenga. Mantenga abierto el grifo de OI hasta que el tanque de almacenamiento se haya vaciado completamente.
6. Abra la carcasa de la membrana y vuelva a instalar la membrana de OI, asegurándose al mismo tiempo de no doblar las juntas tóricas. (Consulte la sección de reemplazo de la membrana).

Para el modelo PUN3R0:

1. Quite las carcasas de los filtros de las etapas 1 y 3 y vacíe el agua.
2. Inserte un nuevo filtro de bloque de carbono (con tapón blanco y malla plástica) en la carcasa del 1er filtro, la cual es la que está del lado de la entrada de agua del sistema de OI, y vuelva a instalar la carcasa en el cabezal. Apriete con la llave suministrada.
3. Inserte un filtro de bloque de carbono nuevo (con tapón blanco y malla plástica) en la carcasa del 2do filtro y vuelva a instalar la carcasa en el cabezal. Apriete con la llave suministrada.

Continúe con el paso 7.

Para el modelo PUN4R0:

1. Quite las carcasas de los filtros de las etapas 1 y 2 y vacíe el agua.
2. Inserte un nuevo filtro de sedimentos (aspecto de tela) en la carcasa del 1er filtro, la cual es la que está del lado de la entrada de agua (tubo rojo) del sistema de OI, y vuelva a instalar las carcasas en el cabezal. Apriete con la llave suministrada.
3. Inserte un nuevo filtro de bloque de carbono (con tapón blanco y malla plástica) en la carcasa del 2do filtro y vuelva a instalar las carcasas en el cabezal. Apriete con la llave suministrada.
4. El filtro de carbono en línea está ubicado entre el grifo de OI y el tanque de almacenamiento. Está montado en la membrana de OI con soportes. Quítelo aflojando el acople en ambos extremos del post-filtro y cámbielo por un filtro nuevo. (Consulte la sección de reemplazo del post-filtro de carbono en línea).

Continúe con el paso 7.

7. Realice los pasos 6 al 9 de la sección de mantenimiento periódico del sistema para las instrucciones de puesta en marcha.

Reemplazo de la membrana de OI:

La membrana tiene una vida útil entre 24 y 36 meses, dependiendo de las condiciones y las cantidades de agua que el sistema utilice. La membrana de ósmosis inversa es crítica para la reducción efectiva de contaminantes. Su agua filtrada por ósmosis inversa debe ser examinada periódicamente para verificar que el sistema esté desempeñándose satisfactoriamente.

1. Cierre el suministro de agua de entrada al sistema de ósmosis inversa girando la válvula de entrada en el sentido de las agujas del reloj hasta que se detenga.
2. Cierre la válvula de bola del tanque de almacenamiento.
3. Abra el grifo de OI y deje que drene el agua desde el tanque de almacenamiento hasta que esté completamente vacío.

Extracción de la membrana:

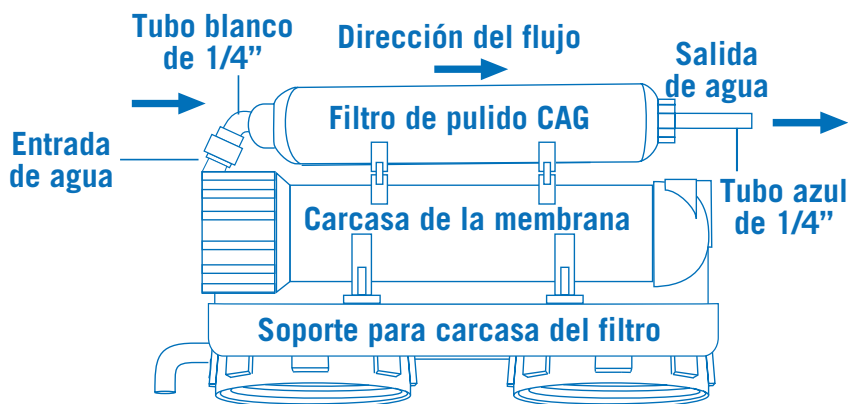
1. Quite los acoples del tubo de la tapa de la membrana de ósmosis inversa.
2. Utilice la llave provista para quitar la tapa de la carcasa.
3. Utilice tenazas para agarrar el tubo central de la membrana y hale firmemente para quitar la membrana de la carcasa y desecharla.

Instalación de la membrana:

4. Lubrique las juntas tóricas en la nueva membrana con agua solamente. Inserte el extremo con las dos juntas tóricas negras primero en el tubo vertical de la carcasa.
5. Una vez que la membrana haya sido insertada en la carcasa, usted debe empujarla firmemente para asentar la membrana correctamente. Coloque nuevamente la tapa de la carcasa y apriete con la llave suministrada.
6. Instale los acoples del tubo nuevamente en la tapa.
7. Siga las instrucciones de puesta en marcha en la página 50.

Reemplazo del filtro de pulido CAG (PUN4RO solamente):

1. Cierre la válvula de entrada.
2. Cierre la válvula de bola del tanque de almacenamiento.
3. Abra el grifo de OI para liberar la presión en el sistema de OI.



Extracción del filtro de pulido CAG caducado:

1. Quite la herradura azul que está asegurando el tubo azul de 1/4" en la conexión rápida en el filtro de post carbón en línea antiguo. Luego desconecte el tubo azul empujando el collar y halando el tubo azul.
2. Repita el mismo procedimiento para quitar el tubo blanco de 1/4" del otro extremo del filtro de post carbón en línea.
3. Quite el filtro de pulido CAG caducado de los soportes plásticos de montaje del filtro que están montados en el soporte de metal de la carcasa del filtro.

Instalación del nuevo filtro de pulido CAG :

1. Quite el envoltorio exterior del nuevo filtro de pulido CAG. Coloque el filtro nuevo en los soportes plásticos de montaje del filtro como se ilustra.
2. Conecte de nuevo el tubo azul de 1/4" en la salida del filtro. Vuelva a colocar la herradura azul para asegurar el tubo.
3. Conecte el tubo blanco de 1/4" en la entrada del filtro. Vuelva a colocar la herradura azul para asegurar el tubo.
4. Siga los pasos 7-8 del "Mantenimiento periódico del sistema" en la página 50.

Guía de solución de problemas:

Problema	Posible causa	Solución
Agua de color lechoso	Aire en el sistema	Es una ocurrencia normal durante la puesta en marcha inicial del sistema. Este color lechoso desaparecerá durante el uso normal dentro de 1 a 2 semanas.
Ruido desde el grifo	Cámara de aire del grifo	Sonido inherente de un grifo de cámara de aire.
	Ubicación de la montura de drenaje	Reubique el drenaje en una posición horizontal.
	Restricción en la línea de drenaje	Despeje el bloqueo que es a veces ocasionado por residuos de la unidad trituradora de basura o lavavajillas.
Producción lenta de agua	Presión de agua baja	El sistema requiere una presión de agua entrante mínima de 40 psi. Una bomba auxiliar podría ser necesaria en áreas con poca agua.
	El sistema acaba de arrancar	Normalmente toma hasta 2 horas hasta que se llene el tanque de almacenamiento.
	Baja presión de aire en el tanque de almacenamiento	Inyecte presión de aire al tanque. La presión debe ser de 5 a 7 psi cuando el tanque esté vacío.
	Pliegue en los tubos	Verifique si los tubos están derechos o repárelos según sea necesario.
	Pre-filtros tapados	Reemplace los pre-filtros.
	Membrana sucia	Reemplace la membrana.
Agua de mal sabor o gusto	El filtro de post carbón está agotado	Reemplace el filtro de post carbón.
	Membrana sucia	Reemplace la membrana.
	El desinfectante no salió	Drene el tanque de almacenamiento y vuélvalo a llenar. Repita hasta vaciar 3 tanques de agua.
No hay agua de drenaje	Limitador de flujo tapado	Reemplace el limitador de flujo.
Fuga de agua desde el orificio de la cámara de aire del grifo	Tubo negro de 3/8" tapado, restringido o conectado incorrectamente al punto de drenaje	Elimine la restricción o tapón. Verifique que la línea de drenaje está direccionada apropiadamente, no esté tapada ni plegada.
Fuga de agua en los racores de rosca	Racor no apretado	Envuelva con adhesivo de teflón y apriete los racores según sea necesario.
Fuga de agua en los conectores de fijación rápida	Los tubos no están cortados rectos	Corte el extremo de los tubos recto.
	Los tubos no están completamente metidos	Meta los tubos completamente.
	Tubos mellados o el acabado de la superficie no está suave	Saque el tubo de la conexión, corte el área problemática y reinserte en la conexión.
Fuga de agua en la conexión del sumidero	El sumidero no está en la posición correcta	Gire el sumidero a la posición bloqueado.
	Junta tórica perdida o dañada	Revise las juntas tóricas y reemplace.

Modelos de sistema de agua potable por ósmosis inversa: PUN3RO y PUN4RO

El sistema debe ser instalado y utilizado de acuerdo a los procedimientos y las indicaciones recomendados por el fabricante. El incumplimiento de las instrucciones puede ocasionar fugas de agua, avería y anulará la garantía.

Lea los datos de rendimiento (en la página 56) y compare la capacidad del sistema con sus necesidades reales de tratamiento de agua. Antes de instalar el sistema, se recomienda que haga examinar su suministro de agua para determinar sus necesidades reales de tratamiento de agua.

Ficha informativa sobre arsénico

Este sistema ha sido probado para el tratamiento de agua que contenga arsénico pentavalente (también conocido como As(V), As(+5) o arseniato) con una concentración de 0.30mg/L o menor. El sistema reduce el arsénico pentavalente, pero podría no reducir otras formas de arsénico. Estos sistemas también son para ser utilizados con suministros de agua que contengan cloro libre residual o suministros propios de agua de los que se haya demostrado que contengan solamente arsénico pentavalente. El tratamiento con cloramina (cloro combinado) no es suficiente para asegurar una conversión completa de arsénico trivalente a arsénico pentavalente.

El arsénico es un contaminante que se presenta naturalmente, encontrado en muchas aguas subterráneas. Existen dos formas de arsénico: arsénico pentavalente [también llamado As(V), As(+5) o arseniato] y arsénico trivalente [As (III), As 9+3) y arsenito]. Aunque ambas formas son potencialmente dañinas para la salud de humanos, el arsénico trivalente es considerado más dañino que el arsénico pentavalente.

El arsénico en el agua no tiene color, sabor u olor. Debe ser medido con una prueba de laboratorio. Los suministros de agua públicos deben tener sus aguas analizadas por arsénico. Usted puede conseguir los resultados a través del proveedor de su servicio de agua. Si usted tiene su propio pozo, usted puede hacer que analicen su agua. El departamento sanitario local o la agencia sanitaria ambiental local puede suministrarle una lista de laboratorios certificados.

Los sistemas de agua por ósmosis inversa no eliminan muy bien el arsénico trivalente del agua. Los sistemas de OI son muy eficaces reduciendo arsénico pentavalente. Si usted pone cloro libre residual en contacto con su suministro de agua durante al menos un minuto, el arsénico trivalente será convertido en arsénico pentavalente y reducido por los sistemas de OI. Otros tratamientos químicos de agua, tales como: ozono o permanganato potásico, también cambiarán el arsénico trivalente por arsénico pentavalente. Un cloro residual combinado (también llamado cloramina) podría no convertir todo el arsénico trivalente. Si usted obtiene su agua de un servicio de instalaciones de agua público, contacte a las instalaciones para saber si cloro libre o cloro combinado son utilizados en el sistema de agua.

El sistema requiere un cambio regular de todos los filtros para mantener un funcionamiento correcto. Dependiendo del uso y la calidad del agua de alimentación, los filtros de sedimentos de carbón deberían ser cambiados al menos una vez al año y la membrana de OI debe ser reemplazada cada 3 años. Variaciones en los niveles de cloro, sedimentos o TDS (total de sólidos disueltos) pueden afectar la frecuencia de reemplazo.

Datos de funcionamiento (continuado):

Los sistemas PUN3RO han sido comprobados y certificados por el NSF International según las normas NSF/ANSI 42 y 58 y CSA B483.1. El PUN4RO ha sido comprobado y certificado por el NSF International según la norma NSF/ANSI 58 y CSA B483.1 para la reducción de las sustancias enumeradas a continuación.

La concentración de las sustancias indicadas en el agua entrando al sistema fue reducida a una concentración menor o igual a los límites permisibles para el agua saliendo del sistema, como se especifica en la norma NSF/ANSI 58. Ya que los análisis fueron ejecutados bajo condiciones normales de laboratorio, el desempeño real podría variar.

Reclamaciones de rendimiento para PUN3RO y PUN4RO

Sustancia	Concentración media de análisis de afluente	Nivel máximo de agua permitido por el producto	Requerimiento de porcentaje de reducción	Rendimiento probado	
				Nivel de agua del producto ①	Porcentaje de reducción ①
Norma NSF 42					
Cloro (solamente post-filtro de PUN3RO)	2.0 mg/L ± 10%		≥ 50%		91.8%
Partículas clase III (solamente post-filtro de PUN3RO)	10,000/mL		≥ 85%		99.9%
Norma NSF 58					
Arsénico (pentavalente)	0.30 mg/L ± 10%	0.010 mg/L		0.007 mg/L	99.2%
Bario	10.0 mg/L ± 10%	2.0 mg/L		0.43 mg/L	97.6%
Cadmio	0.03 mg/L ± 10%	0.005 mg/L		0.0014 mg/L	98.1%
Cromo (hexavalente)	0.30 mg/L ± 10%	0.10 mg/L		0.009 mg/L	98.5%
Cromo (trivalente)	0.30 mg/L ± 10%	0.10 mg/L		0.010 mg/L	96.7%
Cobre	3.0 mg/L ± 10%	1.3 mg/L		0.1 mg/L	98.7%
Flúor	8.0 mg/L ± 10%	1.5 mg/L		0.4 mg/L	95.7%
Plomo	0.15 mg/L ± 10%	0.010 mg/L		0.005 mg/L	96.6%
Radio 226/228	25 pCi/L ± 10%	5 pCi/L		5 pCi/L	80%
Selenio	0.10 mg/L ± 10%	0.05 mg/L		0.002 mg/L	97.9%
TDS (total de sólidos disueltos)	750 ± 40 mg/L	187 mg/L		25 mg/L	96.7%
Turbidez	11 ± 1 NTU	0.5 NTU		< 0.1 NTU	> 99.1%

Tasa de producción diaria: 23.3 gpd

Eficiencia: ② 16.03%

Recuperación: ③ 30.11%

① Analizado por el NSF International según las normas NSF/ANSI 42 y 58.

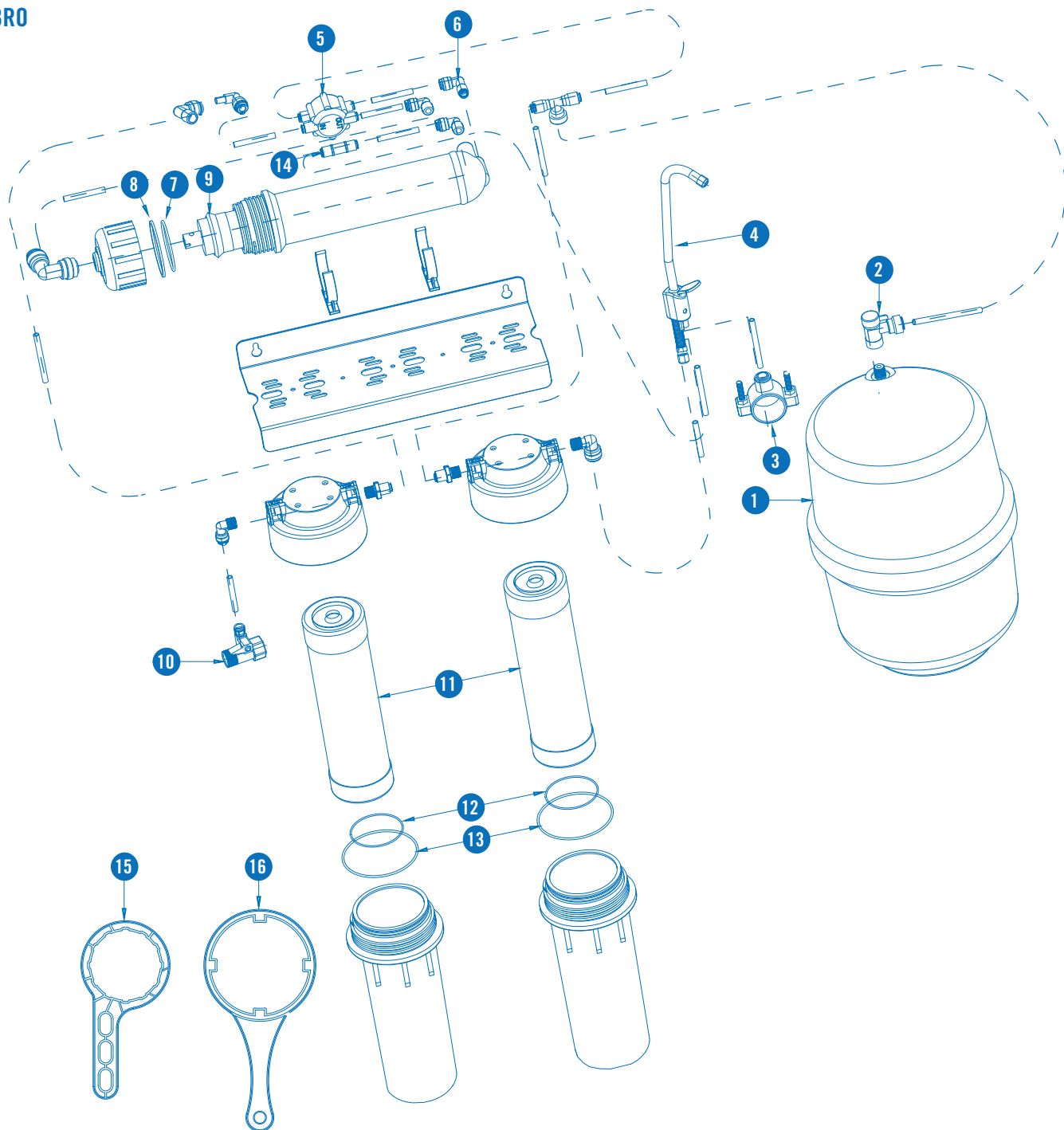
② La tasa de eficiencia refleja el porcentaje de agua entrante al sistema que está disponible al usuario como agua tratada por ósmosis inversa bajo condiciones de funcionamiento que son apropiadas del uso diario típico.

③ La tasa de recuperación refleja el porcentaje de agua entrante a la porción de la membrana del sistema que está disponible al usuario como agua tratada por ósmosis inversa cuando el sistema está en funcionamiento sin un tanque de almacenamiento, o cuando se ha prescindido del tanque de almacenamiento.

Fabricado y garantizado por: GHP Group Inc.
USA: 6440 W. Howard St. Niles, IL 60714-3302
Canada: 271 Massey Rd. Guelph, Ontario, N1K 1B2

Lista de piezas de repuesto:

PUN3R0

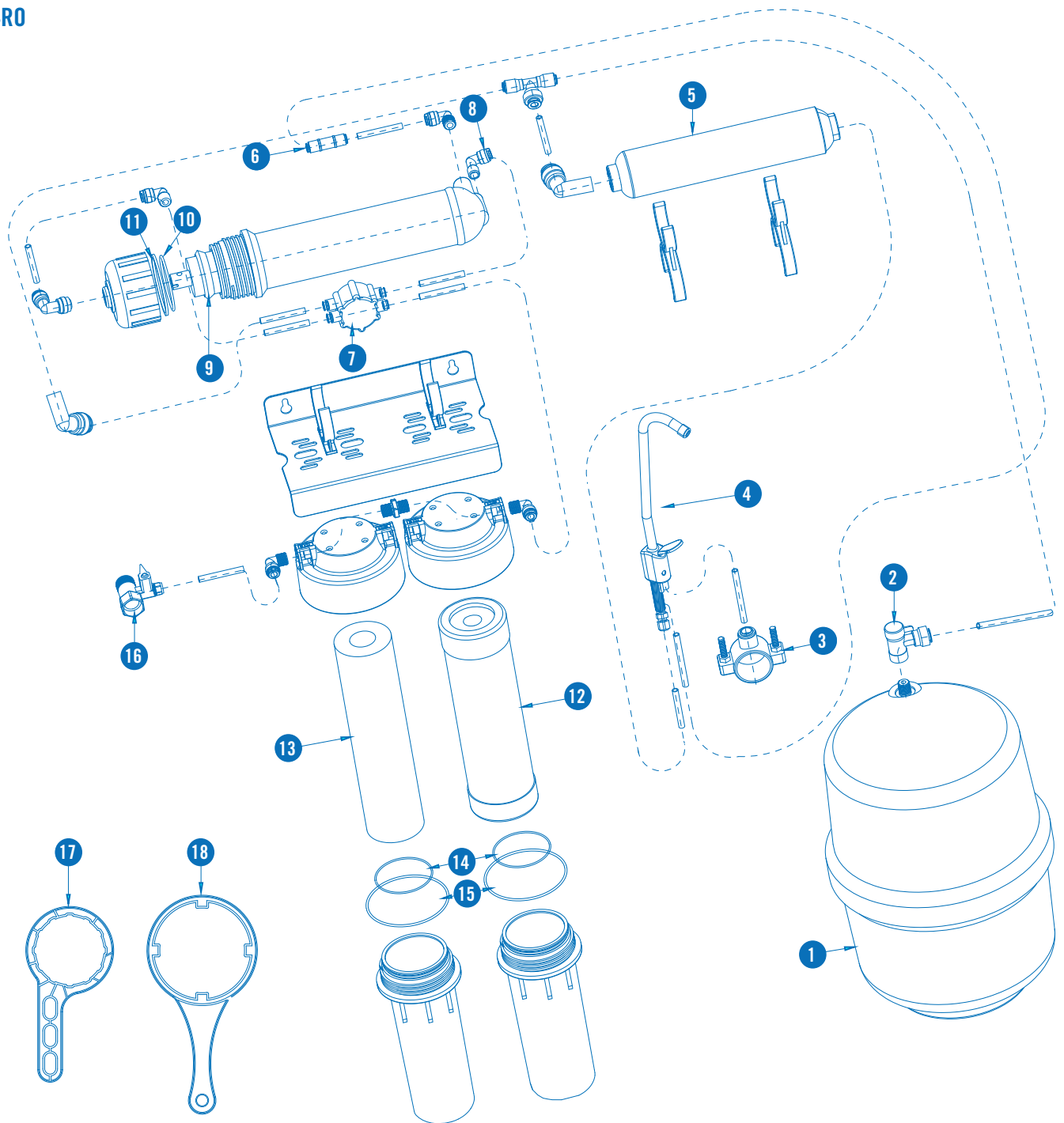


Art.	Descripción	Modelo
1	Depósito de almacenamiento	VWC10006
2	Válvula de bola de tanque	VWC10005
3	Juego de abrazadera de montura del drenaje	VWC10004
4	Juego de grifo con cámara de aire	VWC10003
5	Válvula de cierre automático	VWC10010
6	Codo unidireccional QC de 1/4"	VWC10009
7	Junta tórica pequeña, Sumidero de OI	VWC10014
8	Junta tórica grande, Sumidero de OI	VWC10015

Art.	Descripción	Modelo
9	Membrana de ósmosis inversa	PUNROM
10	Juego de válvula de entrada	VWC10001
11	Filtro de bloqueo de carbón	PUNCRB
12	Junta tórica pequeña, sumidero del filtro	VWC10012
13	Junta tórica grande, sumidero del filtro	VWC10013
14	Limitador de caudal, 300 ml	VWC10011
15	Llave del sumidero de ósmosis inversa	VWC10008
16	Llave del filtro del sumidero	VWC10007

Lista de piezas de repuesto:

PUN4R0



Art.	Descripción	Modelo
1	Depósito de almacenamiento	VWC10006
2	Válvula de bola de tanque	VWC10005
3	Juego de abrazadera de montura del drenaje	VWC10004
4	Juego de grifo con cámara de aire	VWC10003
5	Filtro de pulido CAG	PROPF
6	Limitador de caudal, 300 ml	VWC10011
7	Válvula de cierre automático	VWC10010
8	Codo unidireccional QC de 1/4"	VWC10009
9	Membrana de ósmosis inversa	PUNROM

Art.	Descripción	Modelo
10	Junta tórica pequeña, Sumidero de OI	VWC10014
11	Junta tórica grande, Sumidero de OI	VWC10015
12	Filtro de bloqueo de carbón	PUNCRB
13	Filtro de sedimentos	PUNSED
14	Junta tórica pequeña, sumidero del filtro	VWC10012
15	Junta tórica grande, sumidero del filtro	VWC10013
16	Juego de válvula de entrada	VWC10001
17	Llave del sumidero de ósmosis inversa	VWC10008
18	Llave del filtro del sumidero	VWC10007

Garantía:

Garantía limitada:

Esta garantía limitada se ofrece al comprador original de este sistema de filtrado en la tienda y cubre cualquier defecto de materiales y mano de obra durante un período de un (1) año a partir de la fecha de venta. GHP Group, Inc., a su discreción, bien proveerá piezas de reemplazo o reemplazará la unidad cuando sea devuelta correctamente a la tienda donde se compró o a alguno de nuestros centros de servicio según lo indique GHP Group, Inc., dentro del plazo de un (1) año desde su compra. (Gastos de envío, costo de mano de obra, etc. son responsabilidad del comprador).

Obligaciones del propietario:

Este sistema de filtrado debe ser instalado y utilizado de acuerdo a las instrucciones escritas suministradas con este sistema. Esta garantía no excusará al propietario de hacer un correcto mantenimiento a esta unidad según las instrucciones. Un recibo de compra, cheque pagado o registro de pago debe ser conservado para verificar la fecha de compra y establecer el período de garantía. El embalaje original debe ser conservado en caso de devolución de la unidad bajo garantía.

¿Qué no está cubierto?

1. Daño ocasionado por uso incorrecto, instalación o uso contrario al manual del usuario y recomendaciones de seguridad.
2. El uso de este producto donde el agua no sea segura microbiológicamente o de calidad desconocida.
3. Daño ocasionado por falta de mantenimiento y limpieza habituales.
4. El uso de piezas o accesorios que no sean originales.
5. Daño ocasionado durante el transporte. Costos de envío de piezas o productos en garantía hacia y desde la fábrica serán responsabilidad del propietario.

ESTA GARANTÍA LIMITADA SE OTORGA AL COMPRADOR EN LUGAR DE TODAS LAS DEMÁS GARANTÍAS, EXPRESA O IMPLÍCITA, INCLUIDAS, PERO NO LIMITADAS A LAS GARANTÍAS DE COMERCIABILIDAD DE APTITUD PARA UN PROPÓSITO PARTICULAR. EL RECURSO PROPORCIONADO EN ESTA GARANTÍA ES EXCLUSIVO Y ES OTORGADO EN LUGAR DE TODOS LOS DEMÁS RECURSOS. EN NINGÚN CASO GHP GROUP, INC. SERÁ RESPONSABLE POR DAÑOS INCIDENTALES O CONSECUENTES.

Algunos estados / provincias no permiten limitaciones o la duración de una garantía implícita, por lo que la limitación anterior puede que no aplique en su caso. Algunos estados / provincias no permiten la exclusión o limitación de daños incidentales o consecuentes por lo que la limitación o exclusión puede que no aplique en su caso.

Las reclamaciones se manejan de la siguiente manera:

1. Contacte a la tienda y explique el problema.
 2. Si la tienda no puede resolver el problema, contacte a nuestro departamento de atención al cliente especificando el modelo del sistema, el problema y constancia de la fecha de compra
 3. AUn representante le contactará. NO DEVUELVA LA UNIDAD A GHP GROUP, INC. a menos que se lo indique nuestro representante, o con autorización escrita
- Esta garantía le otorga derechos legales específicos y usted podría también tener otros derechos que varían según el estado / provincia.

Registro del producto:

Para registrar su producto, por favor visite: ghpgroupinc.com/product-registration.html y complételo en los próximos (14) días a partir de la fecha de compra.