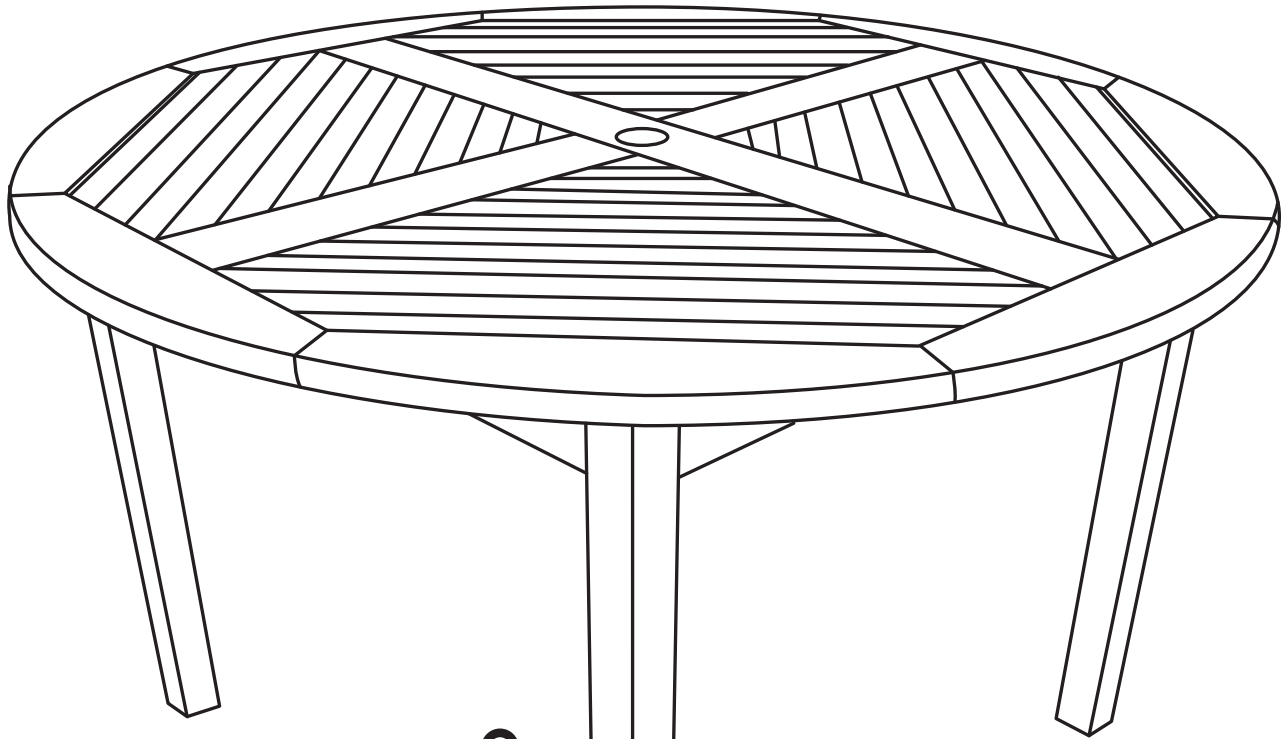



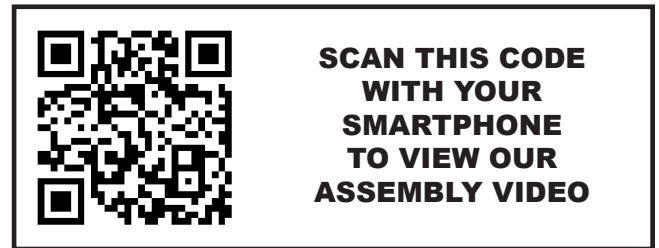
ROUND OUTDOOR DINING TABLE LAM-450

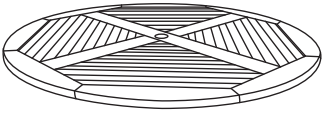
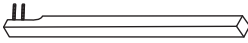


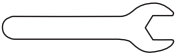
Review all assembly and care instructions carefully before using this product. Save this manual for future reference.
Assemble components on a soft, clean surface to avoid damaging the finish.



 Inspect packaging to ensure all parts are accounted for before disposing of packing materials. Save the packing slip.

110
pounds
50 kg
Weight Capacity

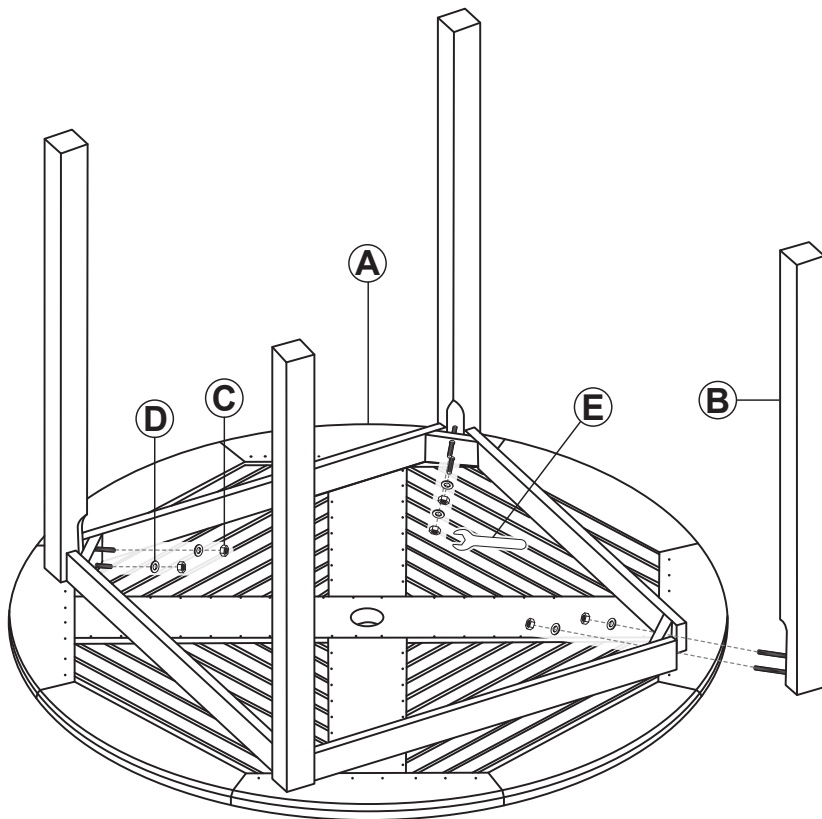


No.	PARTS	QTY.
A	 Table Top	1
B	 Leg	4
C	 Nut	8
D	 Washer	8
E	 Spanner	1

! WARNING !
CHOKING HAZARD — This item contains small parts that can be swallowed. Keep children and pets away during assembly.

HELPFUL HINT

This item was treated with teak oil at the factory. Apply a suitable wood oil at least once a year, or when the wood looks particularly dry. Left untreated, the wood will weather to a silvery gray color.



ASSEMBLY

1. Lay Table Top (A) face-down on a clean, soft surface.
2. Align Leg (B) with the pre-drilled holes on the underside of the table top.
3. Use two Washers (D) and two Nuts (C) to affix the leg, as shown. Tighten the hardware using Spanner (E).
4. Repeat steps 2 and 3 for the remaining legs.

Care & Maintenance

SAFE USE: For residential use only. Only use on a flat, level surface. Never sit or stand on any part of this unit.

CLEAN: Identify the direction of the woodgrain. Following the direction of the woodgrain, wipe surfaces with a soft cloth.

INSPECT: Periodically check hardware and tighten as necessary.

EXPOSURE: Over time, sunlight and weather elements may change the color of natural wood. Avoid leaving wooden furniture in the rain or high-humidity climates as wood can expand and contract with humidity changes; you may need to tighten fittings periodically. If this item is not used for extended periods, we recommend covering or storing it indoors.

MAINTENANCE: The wood was treated with teak oil at the factory. Apply a suitable wood oil (not included) at least once a year, or when the wood looks particularly dry. Follow application instructions as provided with the manufacturer.

WINTER CARE & STORAGE: Cover and store furniture indoors during the winter to protect it from ice and snow. Doing so will preserve the appearance and integrity of the unit.

WARNING: THE ONE-YEAR WARRANTY DOES NOT COVER DAMAGES OR DEFECTS CAUSED BY THE APPLICATION OF CHEMICAL TREATMENTS, PROTECTIVE COATINGS, TOUCH-UP PAINT, OR CLEANING PRODUCTS.

! SAFETY STATEMENTS & WARNINGS !

- Do not sit or stand on any part of this unit.
- Do not exceed the weight capacity of the unit.
- Do not put hot items on or near furniture.
- Keep furniture a safe distance from heat sources such as fire pits, patio heaters, and grills.
- Do not use harsh chemicals or abrasive materials to clean this unit.
- This product is for residential use only; institutional or commercial use will automatically void the product warranty.

Any modification to the product or failure to follow recommended care will void the product warranty.

If you experience issues with assembly or the product was damaged during shipping, please contact our customer service team through one of the methods mentioned at the top of page 1. Please have the item number and order information ready to expedite response time.

! WARNING:

Manufacturer and seller expressly disclaim any and all liability from personal injury, property damage or loss, whether direct or indirect, or incidental, resulting from the incorrect attachment, improper use, inadequate maintenance, or neglect of this product.