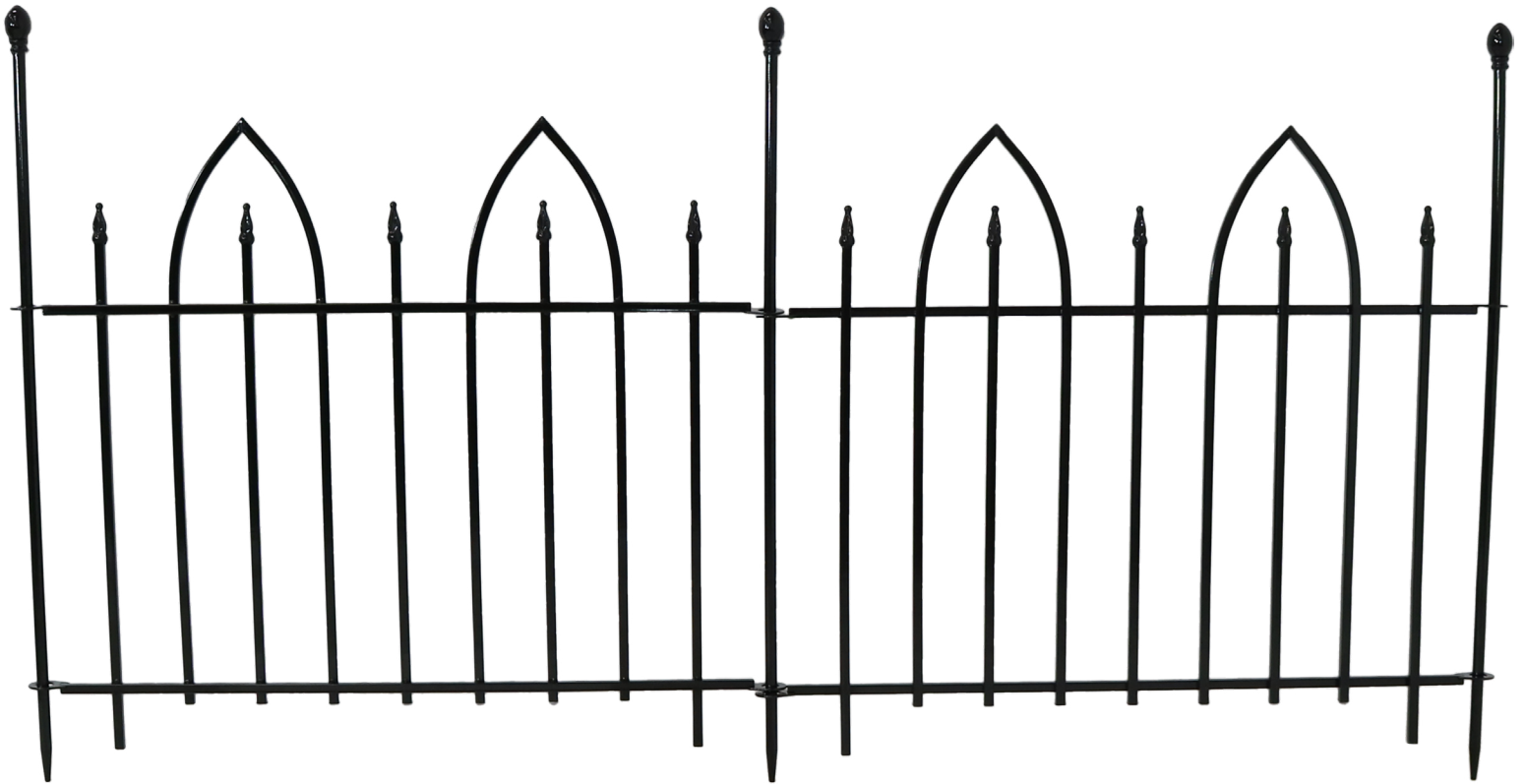
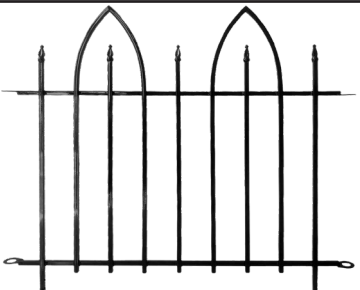




Thank you for choosing Sunnydaze Decor. We stand behind our brand and the quality of the items we sell. Replacement parts or products will be sent at our discretion within the 1-year warranty period. Proof of purchase, with the date of purchase as well as photos of the merchandise defect, must be provided. Photos are used to determine the cause of defects and for future quality control. Register your warranty at <https://tiny.cc/SunnydazeWarranty>. If you have any questions, comments or concerns, feel free to contact us by phone at 833-982-1977, by email: customerservice@sunnydazedecor.com, or via our contact us page at <https://tiny.cc/SunnydazeContact>

GOTHIC ARCH BORDER FENCE HMI-138

Read this manual carefully before use and save it for future reference.



No.	PARTS	QTY.
A	 <p>Fence Panel</p>	2
B	 <p>Fence Post</p>	3



Inspect packaging to ensure all parts are accounted for before disposing of packing materials.

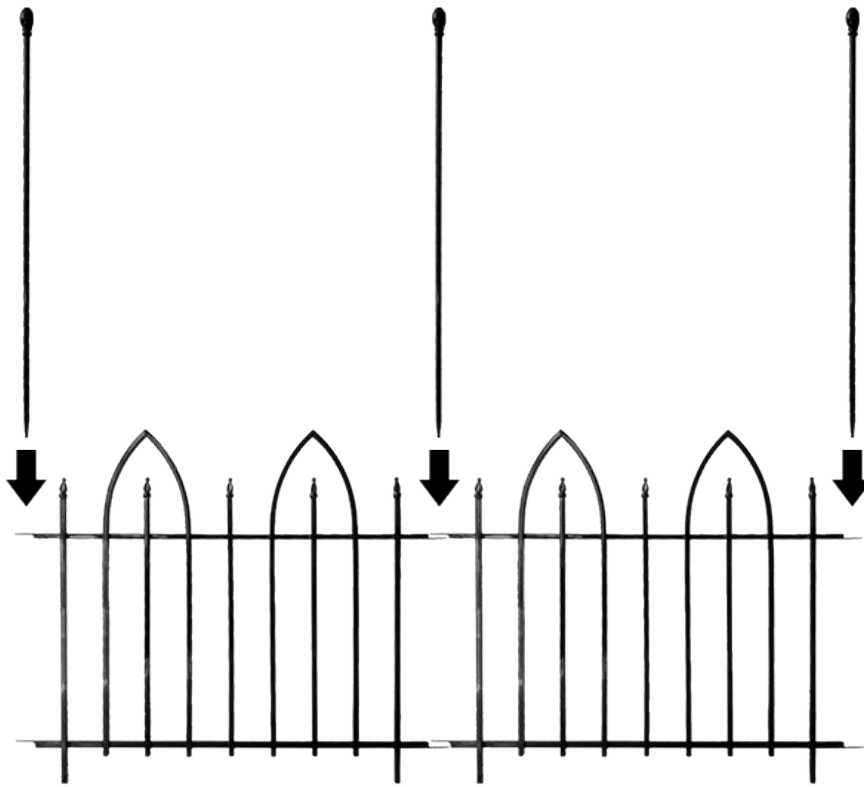


2-PERSON INSTALLATION RECOMMENDED

INSTALLATION

2-person assembly is recommended to prevent scratching or damaging the finish

- Insert the tapered end of Fence Post (B) through the rings on the side of Fence Panel (A).
- Ensuring the post is straight, push the tapered end of the post into the ground until at least 3" of the post is underground. Push the stake further into the ground for more stability.



General Use & Care

INSTALLATION: Install into firm soil only. Do not attempt to install fencing into rocks, sand or loose soil as doing so could cause the fence to lean or tip over.

INSPECT: Periodically check that posts are firmly in the ground. Push into soil as necessary.

CLEANING: Wet a soft cloth with clean water and wipe away dirt and debris.

SCRATCHES: The powder coating on the fencing is tough & durable but, even under normal use, some scratching is inevitable. Scratches can be repaired with a rust-resistant paint. NOTE: damage caused by painting the fence will void the product warranty.

WINTER CARE & STORAGE: Storing this item during winter, especially in locations with ice and snow is highly recommended. Move it to an indoor location that is cool and dry. Covering with a breathable cover while in storage will help prevent dust build-up.

Troubleshooting

THE FENCE POST WON'T GO FAR ENOUGH INTO THE GROUND

- Make sure there are no obstacles within the soil such as rocks, tree roots, or pavement.
- The soil may be too dry. Soak the soil with water and try inserting the post(s) again.
- Use a rubber mallet to gently tap the post into the ground. Take care not to pound the post as doing so will damage the top.
- Create a post hole with a hammer and a dowel. Carefully hammer the dowel into the ground, remove the dowel and push the fence post into the hole.

IF SOIL AROUND THE FENCE POST IS TOO LOOSE

- Push the soil towards the post by firmly but carefully stepping on the soil and pushing towards the post.

Any modification to the product or failure to follow recommended care will void the product warranty.

WARNING:

Manufacturer and seller expressly disclaim any and all liability from personal injury, property damage or loss, whether direct or indirect, or incidental, resulting from the incorrect attachment, improper use, inadequate maintenance, or neglect of this product.