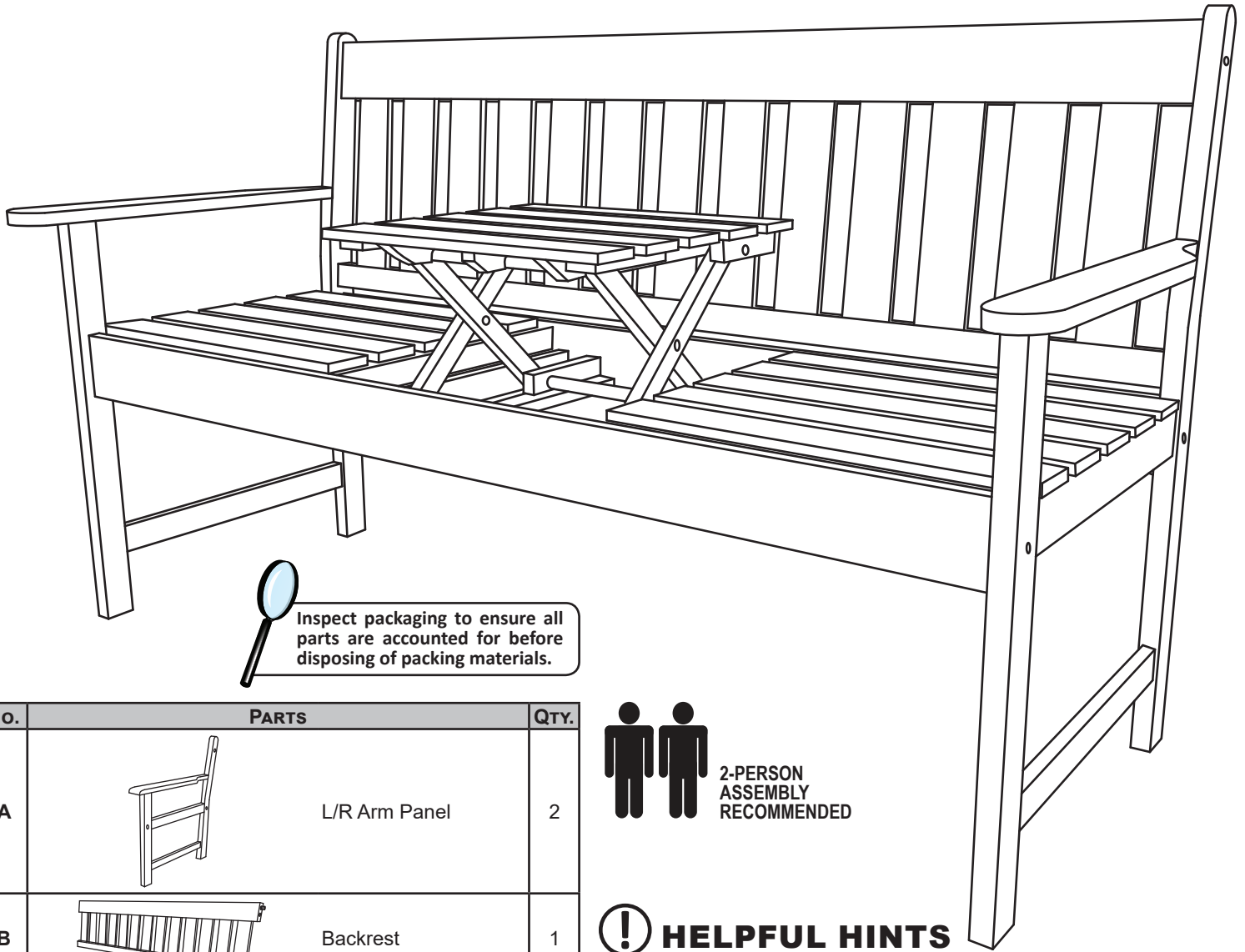



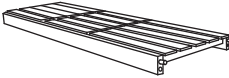



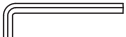


# MERANTI WOOD OCCASIONAL BENCH FRN-498

Assemble components on a soft, clean surface to avoid damaging the finish. Save this manual for future reference.



 Inspect packaging to ensure all parts are accounted for before disposing of packing materials.

No.	PARTS	QTY.
A	 L/R Arm Panel	2
B	 Backrest	1
C	 Seat	1
D	 JCBC M6x60 Bolt	6
E	 Barrel Nut	6
F	 Barrel Nut Driver	1
G	 Hex Key	1

 2-PERSON ASSEMBLY RECOMMENDED

## ! HELPFUL HINTS

- Sunnydaze Decor advises reading this manual thoroughly and assembling the item soon after purchase.
- Assemble the bench one side at a time to ensure the backrest easily attaches.

**! WARNING !**  
**CHOKING HAZARD** — This item contains small parts that can be swallowed by children. Keep children away during assembly.

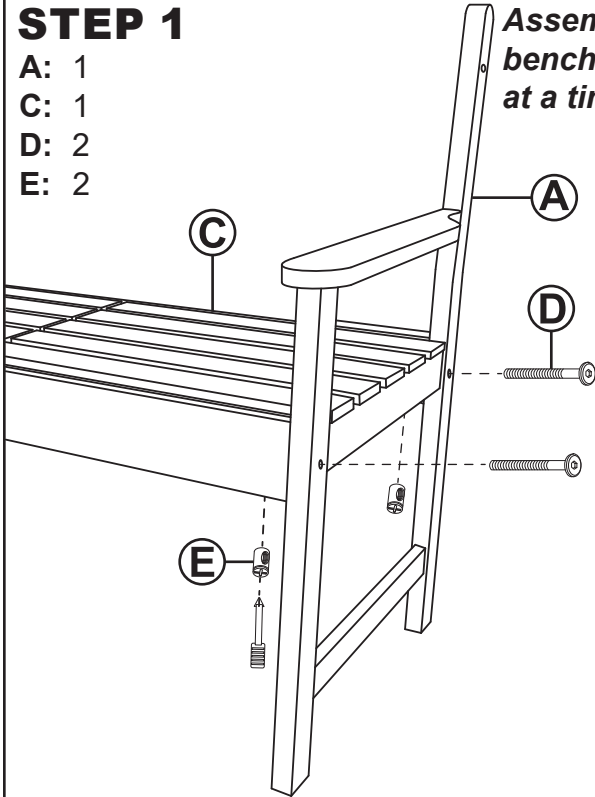
# ASSEMBLY

Read carefully and understand assembly before beginning.

## STEP 1

- A: 1
- C: 1
- D: 2
- E: 2

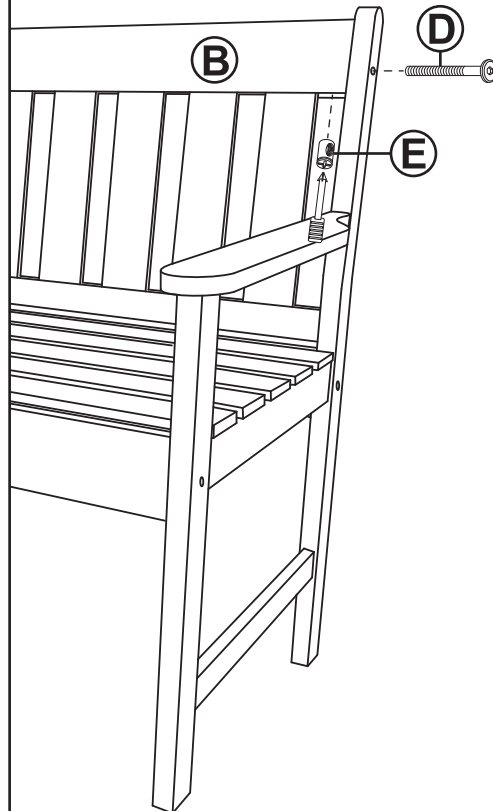
Assemble the bench one side at a time.



- Insert two Barrel Nuts (E) into the underside of Seat Panel (C). Use the Barrel Nut Driver to align the opening of the barrel nut with the pre-drilled hole on the side of the seat.
- Align the pegs and pre-drilled holes of Seat Panel (C) with the notches and pre-drilled holes of the Arm Panel (A). Secure by tightening two M6x60 Bolts (D).

## STEP 2

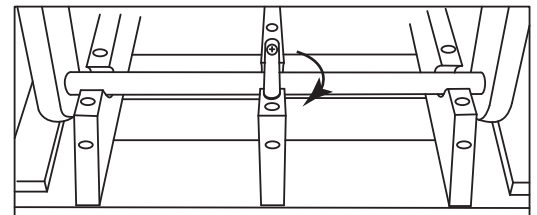
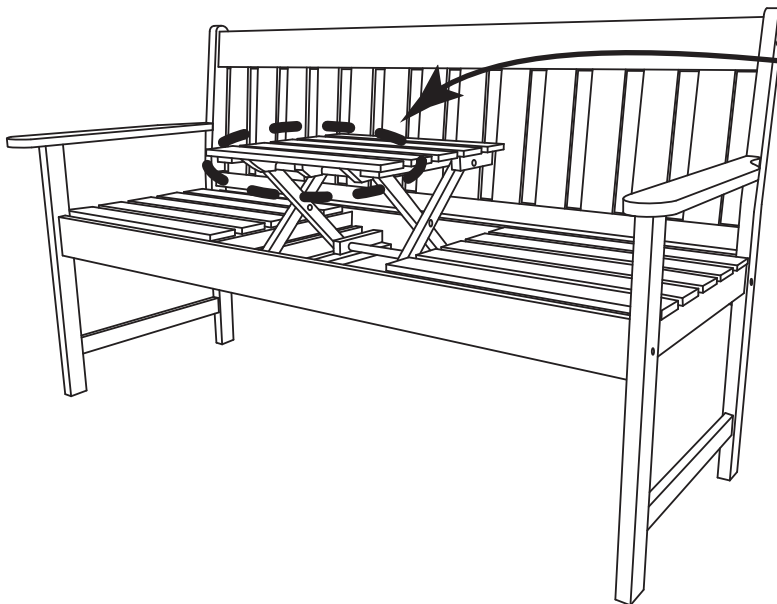
- B: 1
- D: 1
- E: 1



- Insert one Barrel Nut (E) into the underside of the top horizontal slat on Backrest (B). Use the Barrel Nut Driver to align the opening of the barrel nut with the pre-drilled hole on the side of the backrest.
- Align the pegs and pre-drilled holes of Backrest (B) with the notches and pre-drilled holes of the Arm Panel (A). Secure by tightening one M6x60 Bolt (D).

## STEP 3

- Repeat Step 1 and Step 2 to connect the second arm panel.



To use the table, simply lift it upward and place the support bar into the grooves and flip the locking mechanism over the support bar.

# Care & Maintenance

**SAFE USE:** For residential use only. Only use on a flat, level surface. Use caution when extending and collapsing the table to avoid pinching fingers. Never sit on, put pressure on, or set heavy items on the table while it is extended as doing so may break the table and could cause injuries. Do not exceed the weight capacity of the furniture.

**INSPECT:** Periodically check assembly points and tighten fittings as necessary.

**CLEANING:** Identify the direction of the woodgrain. Following the direction of the woodgrain, wipe surfaces with a soft, dry cloth. Do not use harsh chemicals or abrasive materials or a pressure washer to clean.

**COVER:** When not in use, cover furniture with a breathable cover to help protect it from the harmful effects of sunlight, inclement weather, dust build-up, and collecting debris.

**WINTER CARE & STORAGE:** Protect this item from inclement weather, especially ice and snow. Move the bench to a dry indoor location. Covering while in storage is recommended to help prevent dust build-up.

**MAINTENANCE:** If left untreated, the wood may weather. A suitable wood stain or oil may need to be applied yearly.

**WARNING: THE ONE-YEAR WARRANTY DOES NOT COVER DAMAGES OR DEFECTS CAUSED BY THE USE OF CHEMICAL TREATMENTS OR PROTECTIVE COATINGS.**

**Any modification to the product or failure to follow recommended care will void the product warranty.**

## **WARNING!**

Manufacturer and seller expressly disclaim any and all liability from personal injury, property damage or loss, whether direct or indirect, or incidental, resulting from the incorrect attachment, improper use, inadequate maintenance, or neglect of this product.