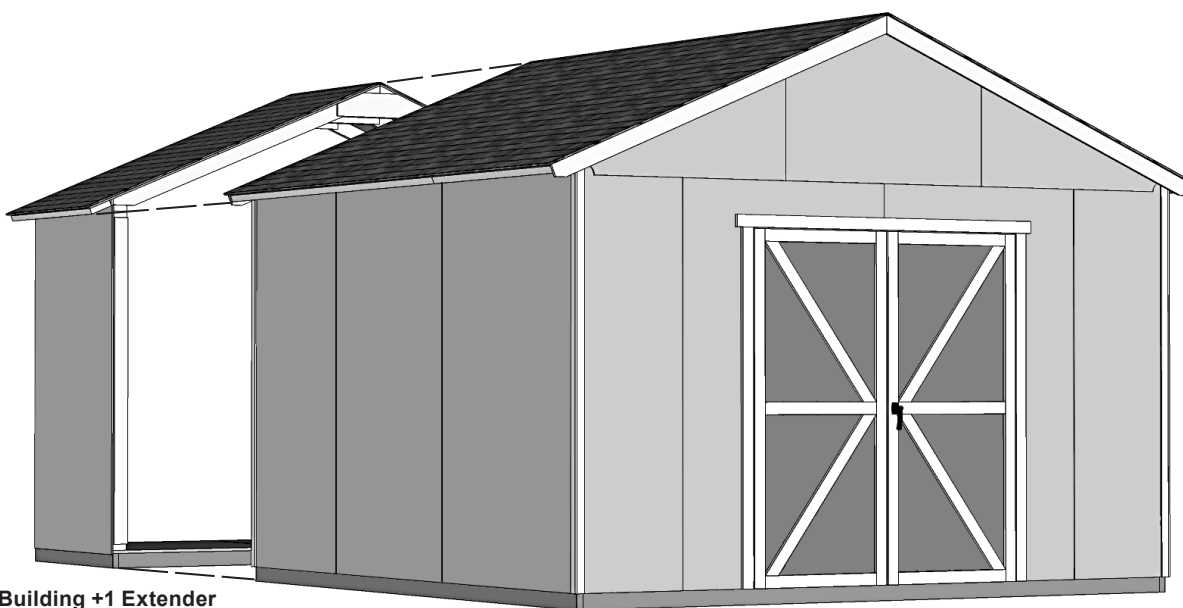


	<i>BUILDING SIZE</i>	<i>ACTUAL FLOOR SIZE</i>
<i>BASE MODEL</i>	<i>12' x 12' (365,8 x 365,8 cm)</i>	<i>12' x 12' (365,8 x 365,8 cm)</i>
<i>+1: 12' x 4' Extender</i>	<i>12' x 16' (365,8 x 487,7 cm)</i>	<i>12' x 16' (365,8 x 487,7 cm)</i>
<i>+1: 12' x 8' Extender</i>	<i>12' x 20' (365,8 x 609,6 cm)</i>	<i>12' x 20' (365,8 x 609,6 cm)</i>
<i>+1: 12' x 8' and +1: 12' x 4' Extender</i>	<i>12' x 24' (365,8 x 731,5 cm)</i>	<i>12' x 24' (365,8 x 731,5 cm)</i>

KEEP THIS MANUAL FOR FUTURE REFERENCE



Base Building +1 Extender
12' x 16'

Base Building 12' x 12'

... continued from PART 1

(Continued from PART 1, page 78.)


12x12' 12x16' 12x20' 12x24'

RAFTERS

PARTS REQUIRED:

x1 **OO** Temporary Support
69" (175,3 cm) Door Stiffener


x12 x16 x20 x24

 6 x 24" (15,2 x 60,9 cm)

x14 x18 x22 x26

ADA
2 x 4 x 77-15/16" (5,1 x 10,2 x 198 cm)

x144 x192 x240 x288

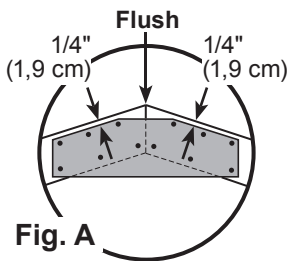
 2" (5,1 cm)



Build (2) rafter assemblies with (1) gusset (Fig. B).

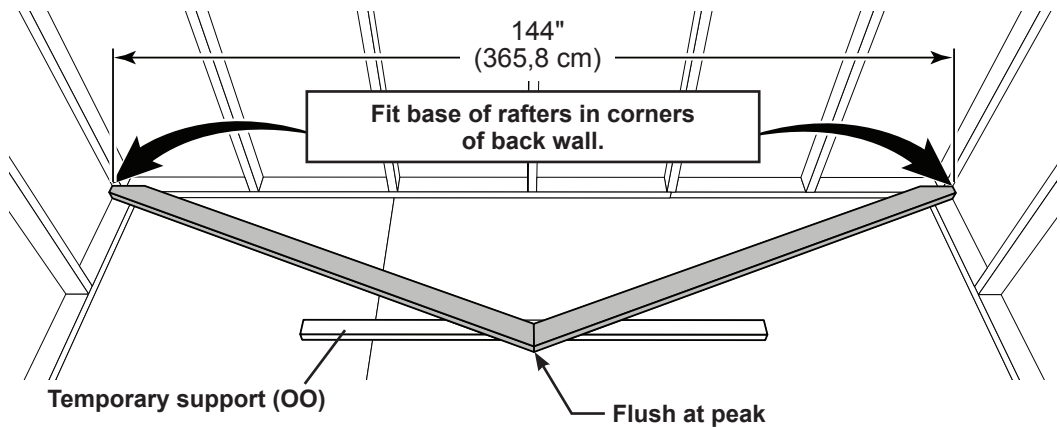
✓ BEGIN

- Place two rafter-halves **AD** in the corner of back and side walls, flush to panels and studs.
Flush rafters at peak. Secure gusset to rafters with 2" nails following the pattern shown (**Fig. A**).



HINT:

Use floor and walls to help assemble rafters!



SET ASIDE THESE TWO RAFTER ASSEMBLIES.

Depending on your shed size, build rafters with (2) gussets (Fig. C).

- Place two rafter-halves on floor and flush in the corners of wall and **RL**, as shown in STEP - 1. Flush rafters at peak. Secure gusset to rafters with 2" nails following the pattern shown (**Fig. A**).
- Flip over rafter assembly and fasten second gusset to other side with 2" nails (**Fig. C**).

Fig. B - Build 2 for all sizes

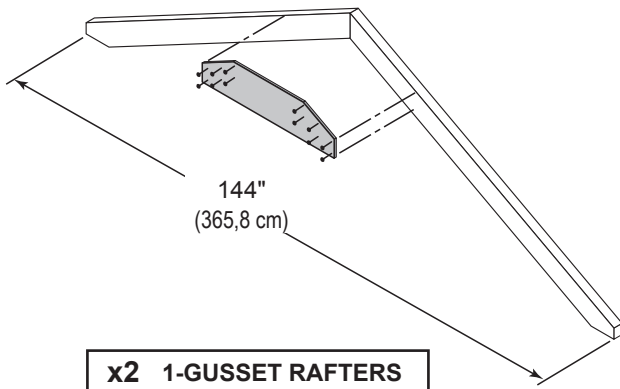
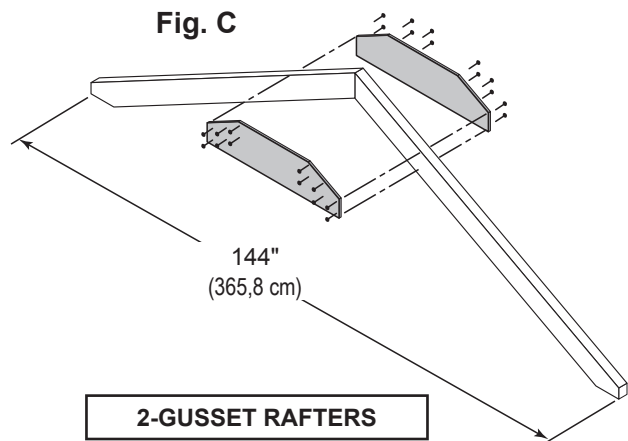



Fig. C



12x12' 12x16' 12x20' 12x24'

x5 x7 x9 x11



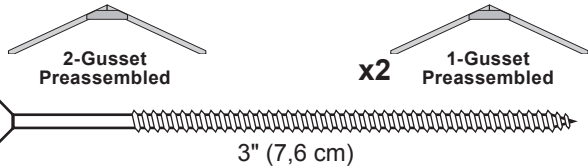
Your rafters are now assembled.
Remove RL and screws from floor.

12x12' 12x16' RAFTER INSTALLATION

PARTS REQUIRED:



- 12x12' x5
- 12x16' x7
- x28
- x36



✓ BEGIN

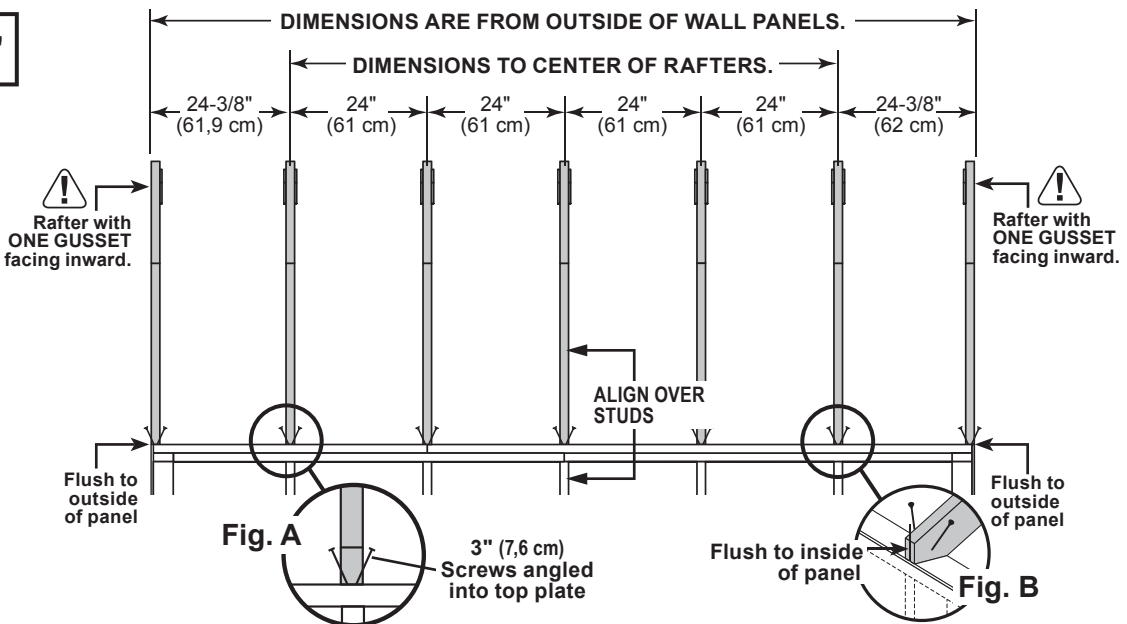
1 Align rafters over the wall studs.



Check that you have the measurements shown.
 Secure rafters with (2) 3" screws angled at each end (**Fig. A, Fig. B**).
 Secure rafters on opposite side.

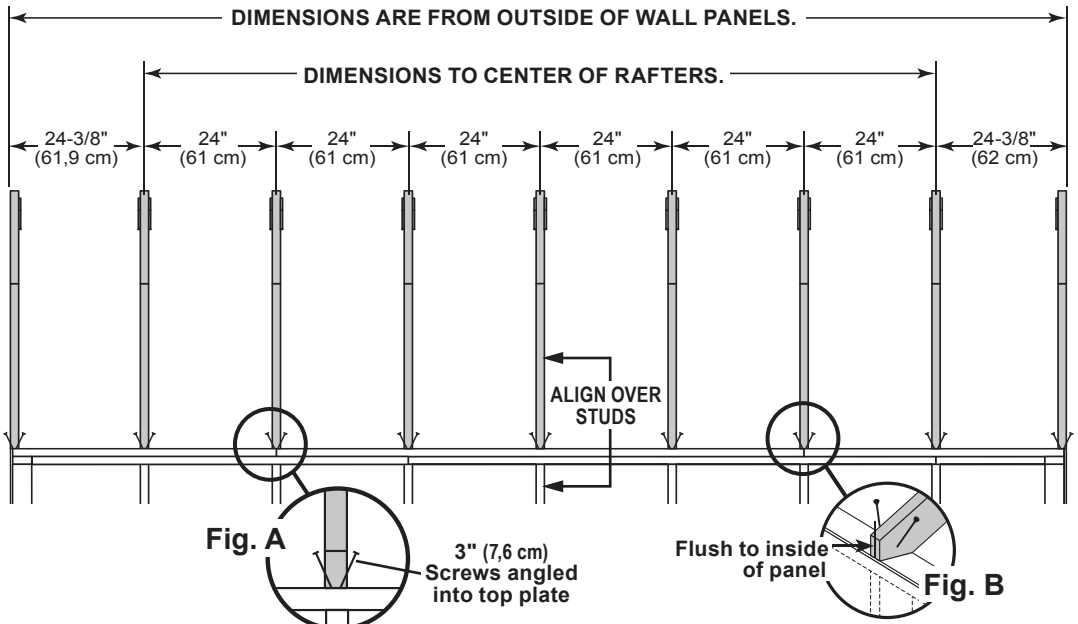
! *Maintain the measurements between rafters.*

12' x 12'



! *Maintain the measurements between rafters.*

12' x 16'



FINISH

Your rafters are now installed.

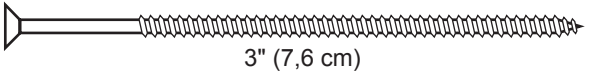
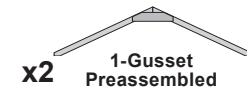
12x20' 12x24' RAFTER INSTALLATION

PARTS REQUIRED:



12x20'
x9
x44

12x24'
x11
x52



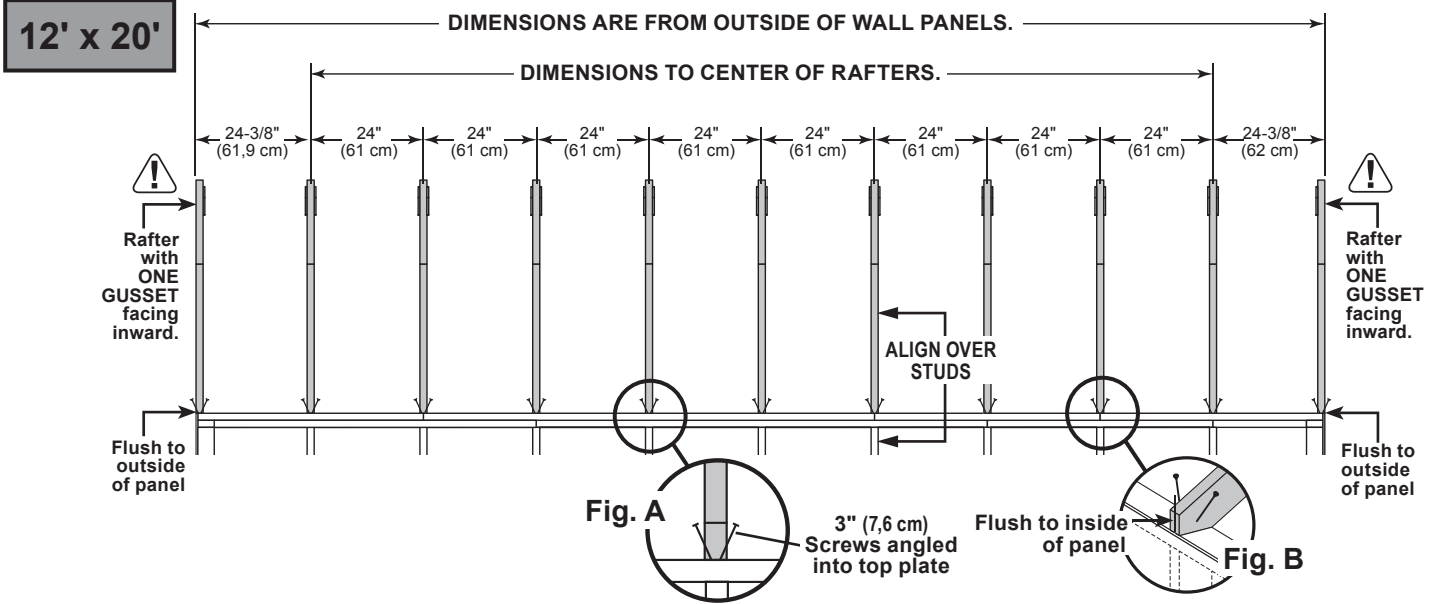
✓ BEGIN

1 Align rafters over the wall studs.

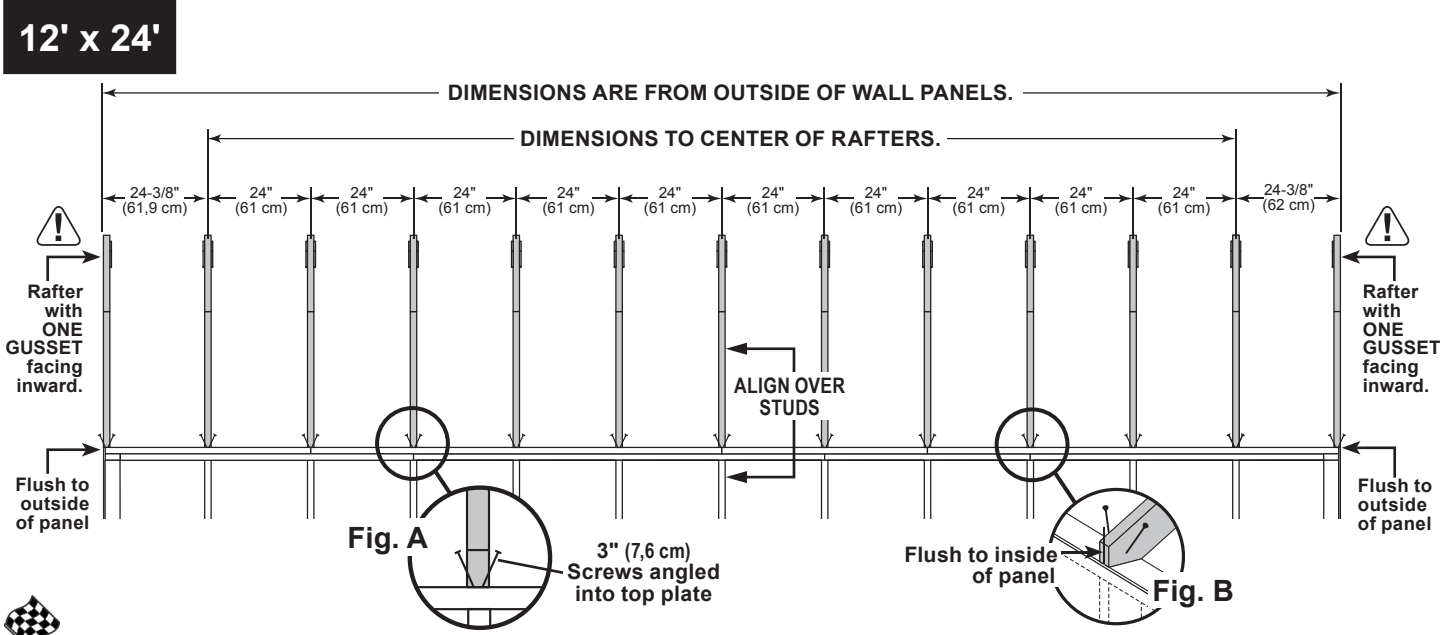


Check that you have the measurements shown.
 Secure rafters with (2) 3" screws angled at each end (**Fig. A, Fig. B**).
 Secure rafters on opposite side.

! *Maintain the measurements between rafters.*



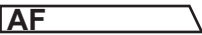
! *Maintain the measurements between rafters.*

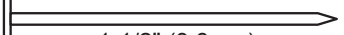


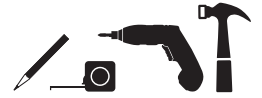
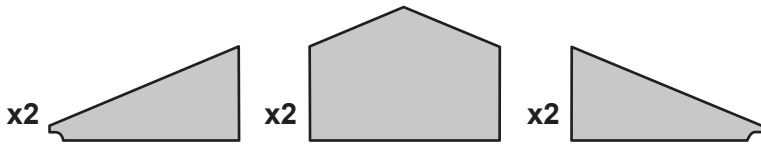
FINISH

Your rafters are now installed.

GABLE UNITS

PARTS REQUIRED: x4 **AF**  2 x 4 x 18-1/8" (5,1 x 10,2 x 46 cm)

x32  1-1/2" (3,8 cm)



Install gable panels with the primed side facing up.

✓ BEGIN

1 Place middle panel on (2) **AF**. Arrange parts to measurements shown.

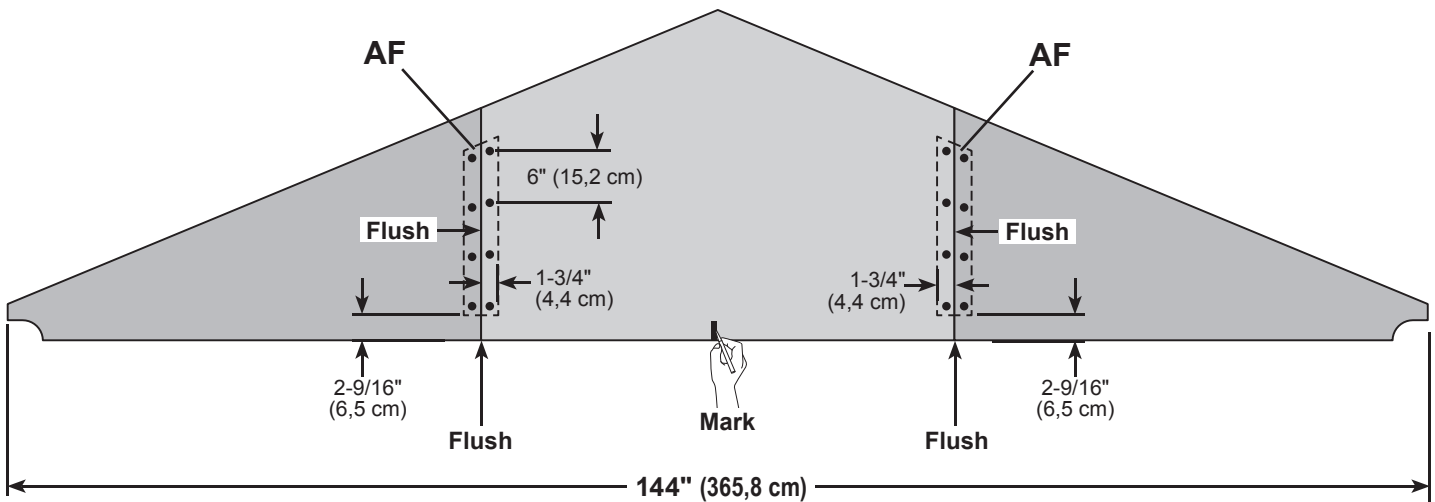
Secure panel with 1-1/2" nails spaced 6" apart along edge.

Check measurements as you build the gable unit.

2 Place left and right panels on **AF**, flush to middle panel.

Secure panel with 1-1/2" nails spaced 6" apart along edge.

Mark the center of the middle gable panel.



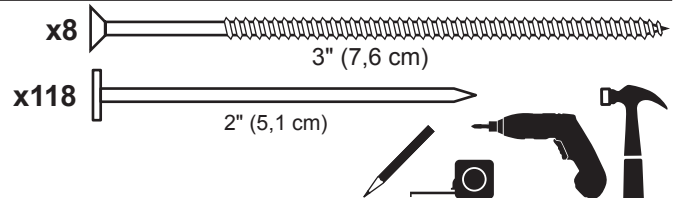
Repeat steps to assemble the 2nd gable unit.



Your (2) gable units are now assembled.

GABLE INSTALLATION

PARTS REQUIRED:



✓ BEGIN

- 1 Measure 2-9/16" (6,5 cm) down from top plate doubler and mark at each side as shown. Set gable unit on top plate. Fasten with (1) 2" nail on each side.

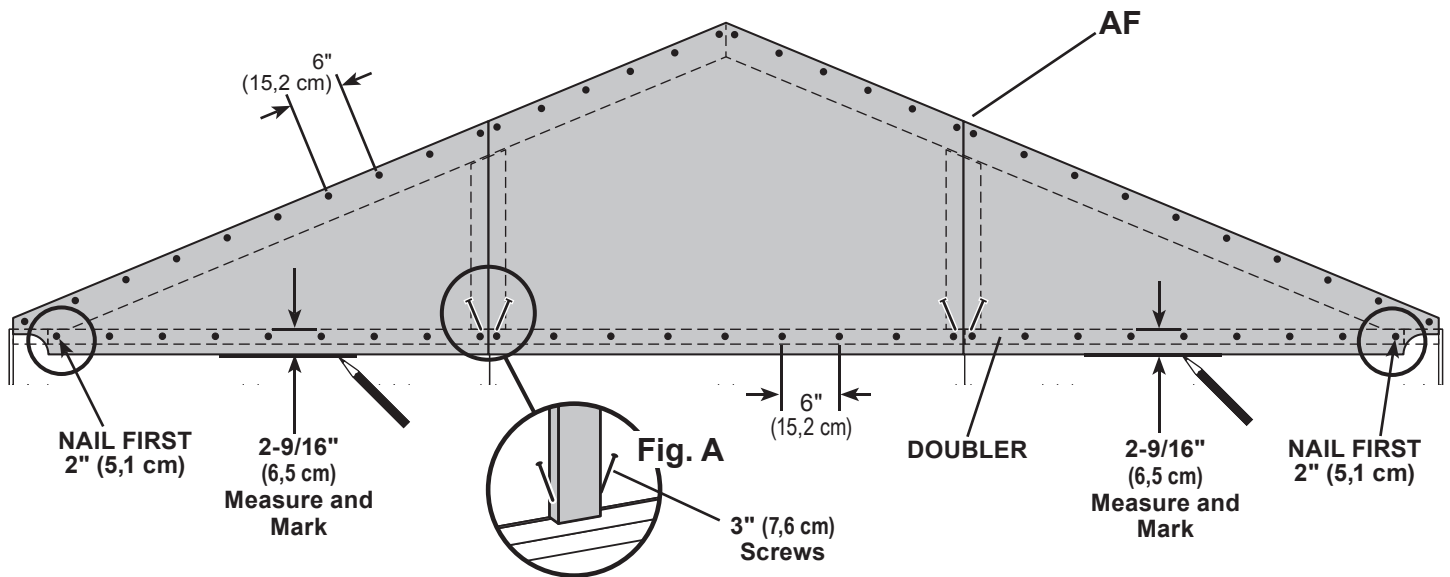


⚠ BE SURE GABLE IS CENTERED ON WALL BEFORE NAILING.

Continue nailing lower edge of panels to wall doubler with 2" nails spaced 6" apart.

- 2 Secure gable panels to rafter with with 2" nails spaced 6" apart.

- 3 Working inside, secure gable unit with (2) 3" screws angled into each AF at an angle (**Fig. A**).



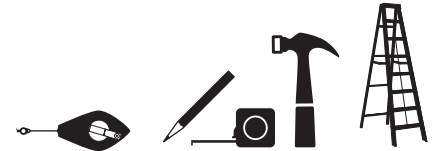
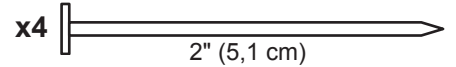
Repeat steps to install the opposite side gable.




Your gable units are now installed.

12' x 12' ROOF PANELS

PARTS REQUIRED:



 **Roof panels may cause serious injury until securely fastened.**
Note: Install all roof panels with the rough side up (painted grid lines).

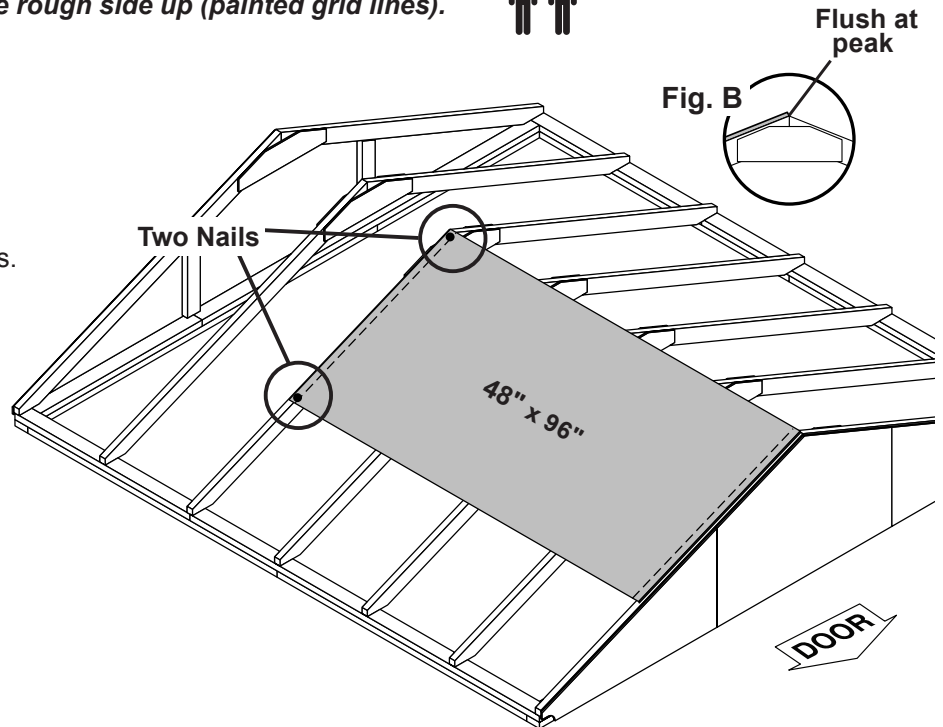
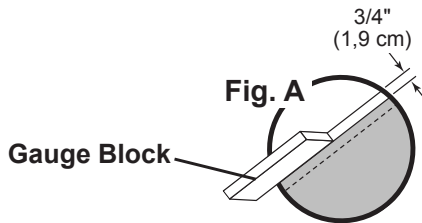


✓ **BEGIN**

1

Place the 48" x 96" panel on rafters with a 3/4" measurement on the rafter (**Fig. A**) and the panel flush at the peak (**Fig. B**).

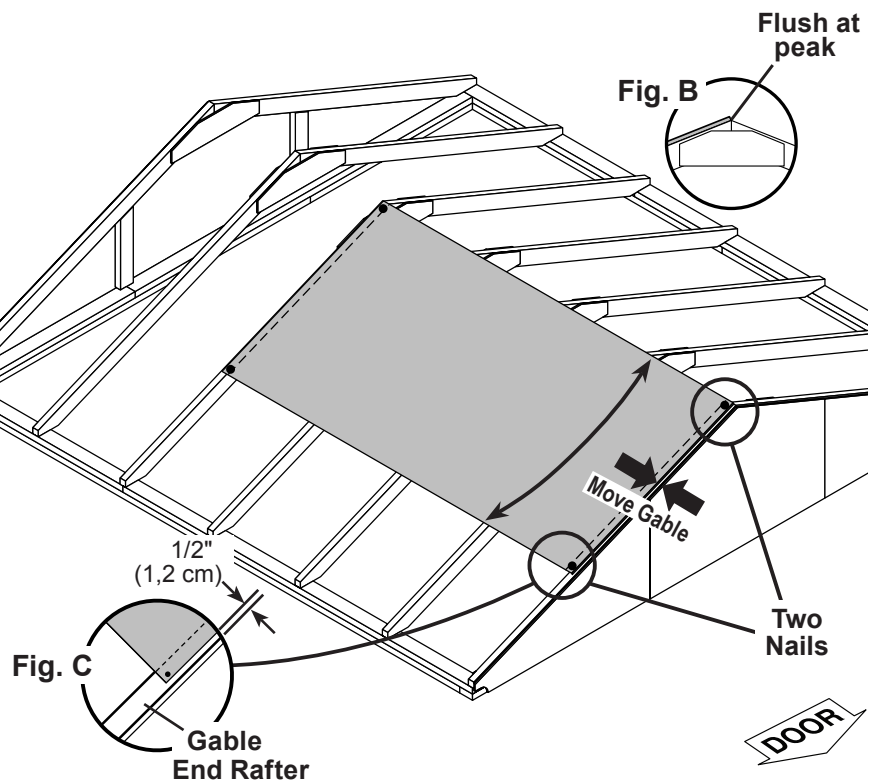
Secure panel with (2) 2" nails in the corners.



2


Move to the opposite end.
Using the long edge of the panel as a lever, move the panel side-to-side until the top corner is flush to the peak (**Fig. B**) and there is a 1/2" measurement on the gable end rafter (**Fig. C**).

Secure panel with (2) 2" nails in the corners.




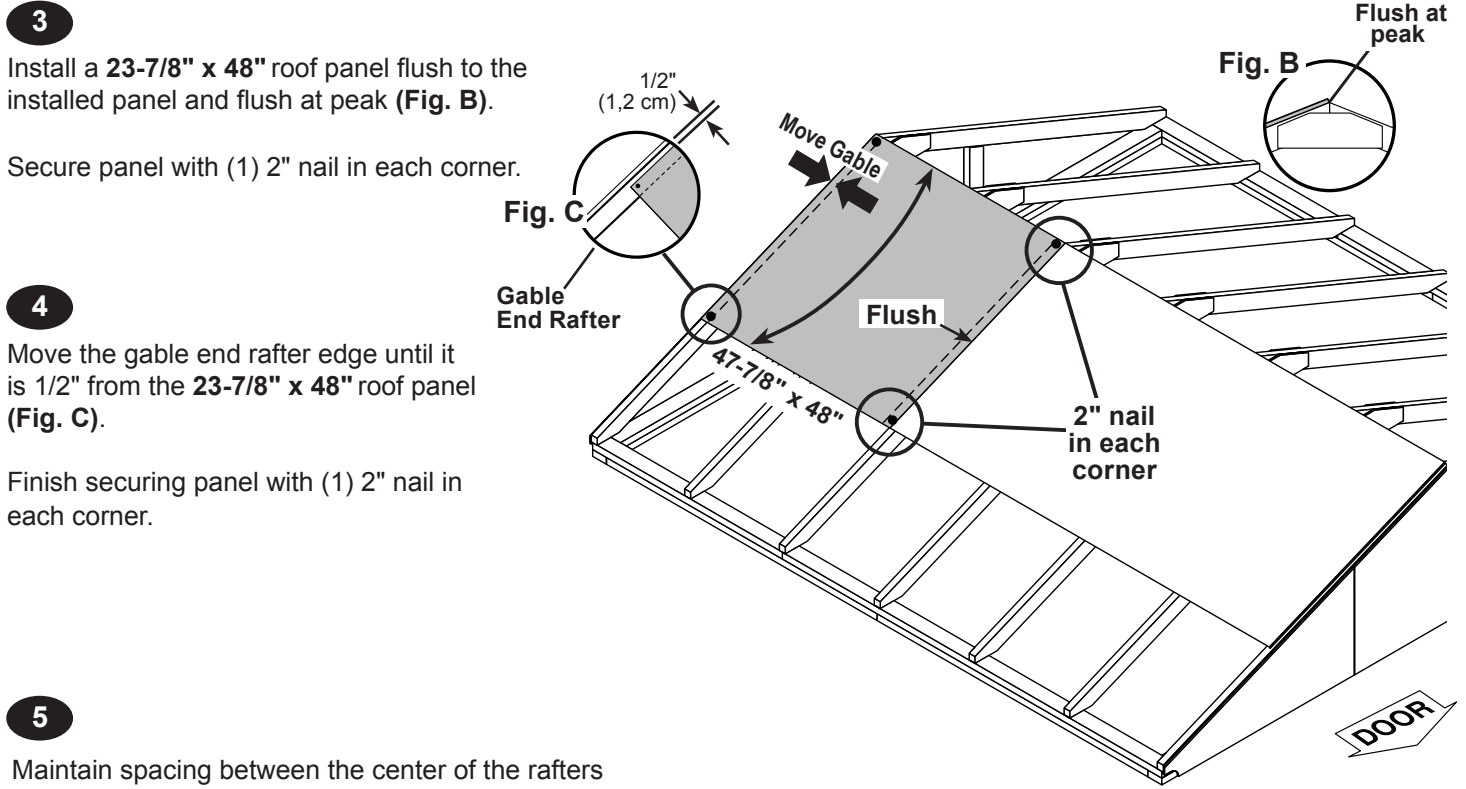
12' x 12' ROOF PANELS

PARTS REQUIRED:

x1  47-7/8" x 48"
(121,6 x 121,9 cm)



x12  2" (5,1 cm)



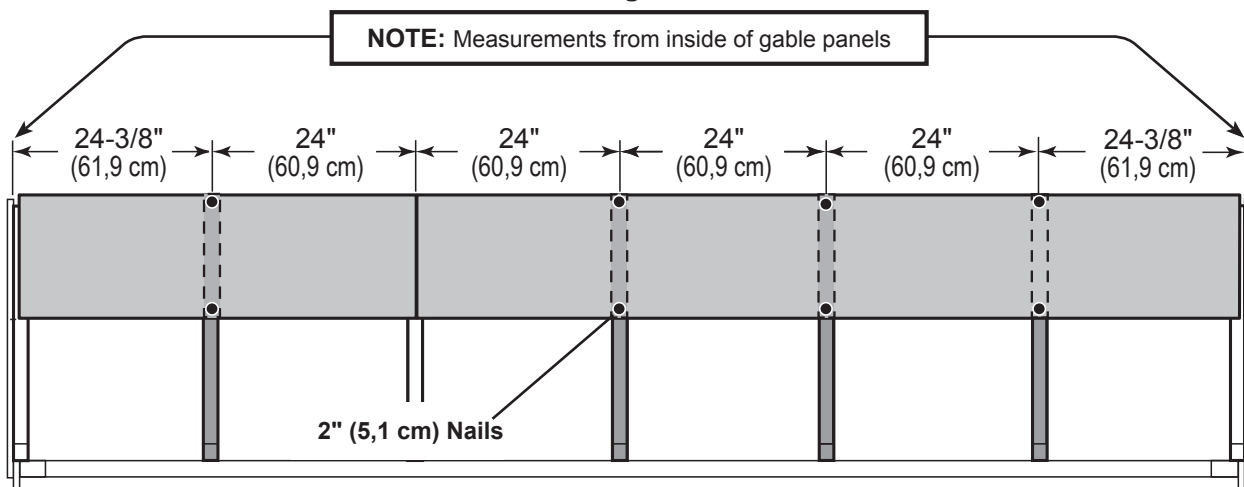
Maintain spacing between the center of the rafters at the lower edge of the panels (**Fig. D**).

Secure panels with (1) 2" nail into each rafter, as shown.

Move to the top of the panel and keep spacing between the center of the rafters.

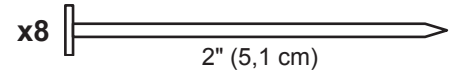
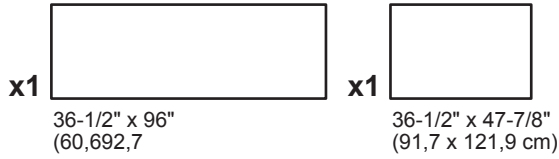
Secure panels with (1) 2" nail into each rafter.

Fig. D



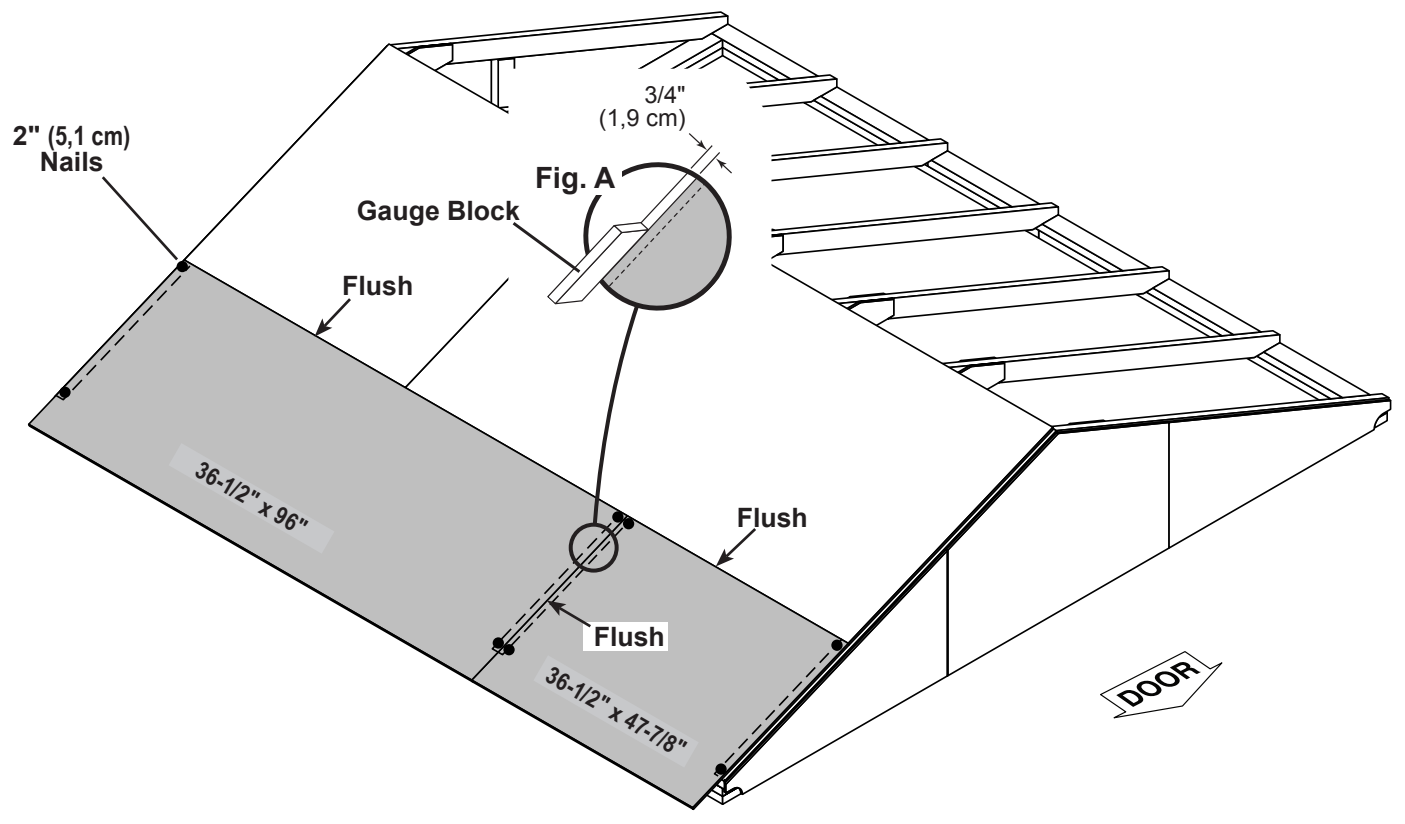
12' x 12' ROOF PANELS

PARTS REQUIRED:



6 Next, install **36-1/2" x 47-7/8"** and **36-1/2" x 96"** roof panels with a **3/4"** measurement on the rafter (**Fig A**) and flush to the installed panels (**Fig. E**).

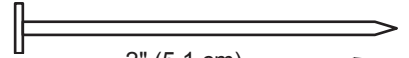
Secure panels with (1) 2" nail in each corner.



12' x 12' ROOF PANELS

PARTS REQUIRED:

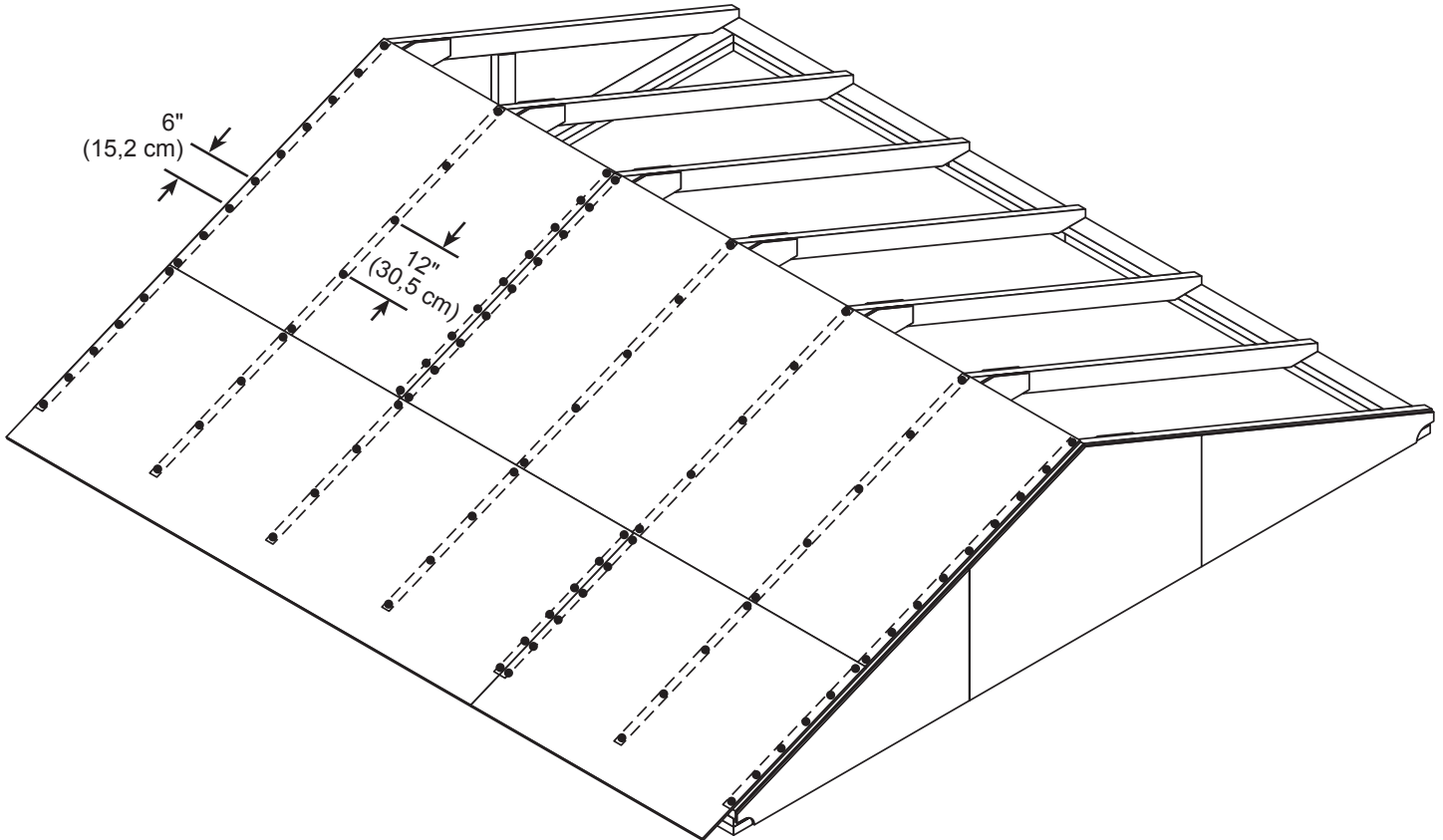
x168



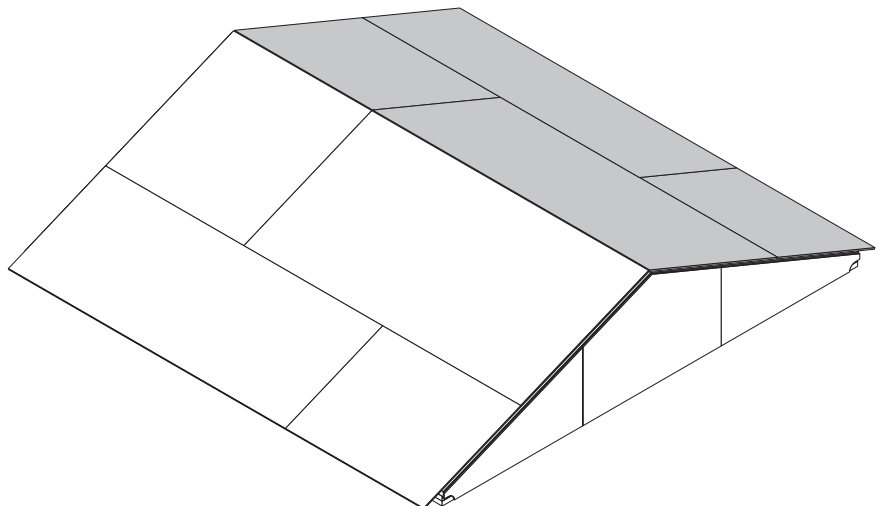
2" (5,1 cm)



- 7** Secure all roof panels with 2" nails spaced 6" apart and 12" apart inside panels.



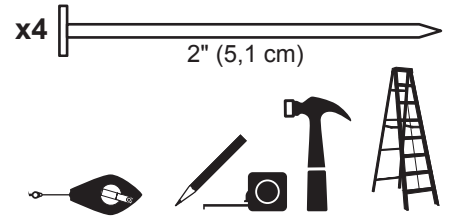
Repeat all steps to install roof panels on the opposite side.




Your roof panels are now installed.

12' x 16' ROOF PANELS

PARTS REQUIRED:

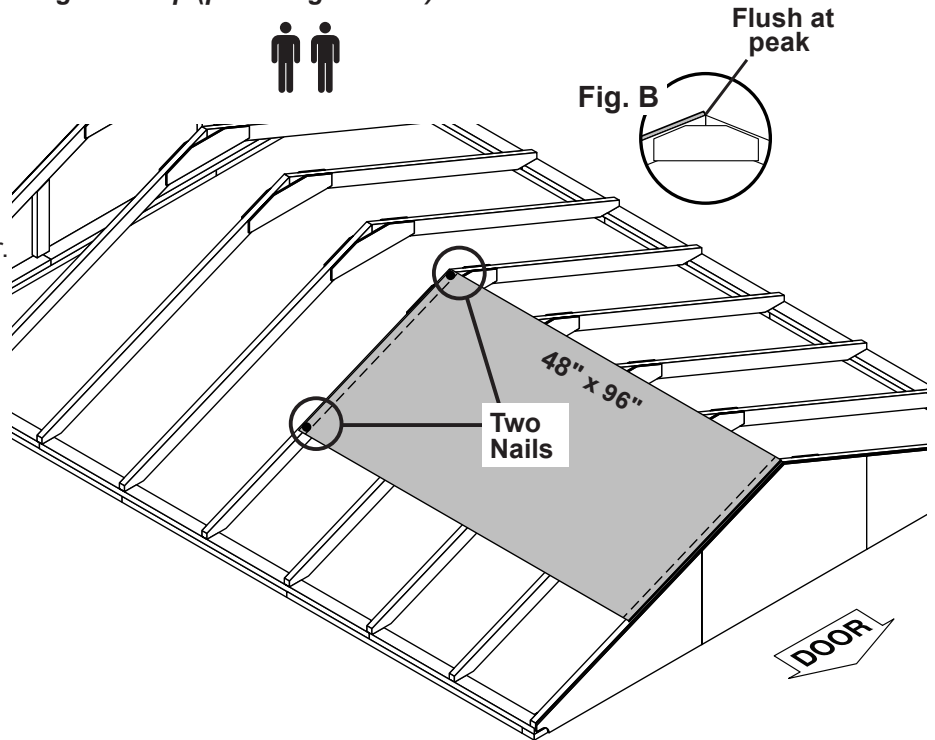
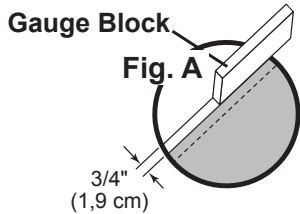


 **Roof panels may cause serious injury until securely fastened.**
Note: Install all roof panels with the rough side up (painted grid lines).

✓ **BEGIN**
1

Place the **48" x 96"** panel on rafters with a **3/4"** measurement on the rafter (**Fig A**) and the panel flush at the peak (**Fig. B**).

Secure panel with (1) 2" nail in each corner.

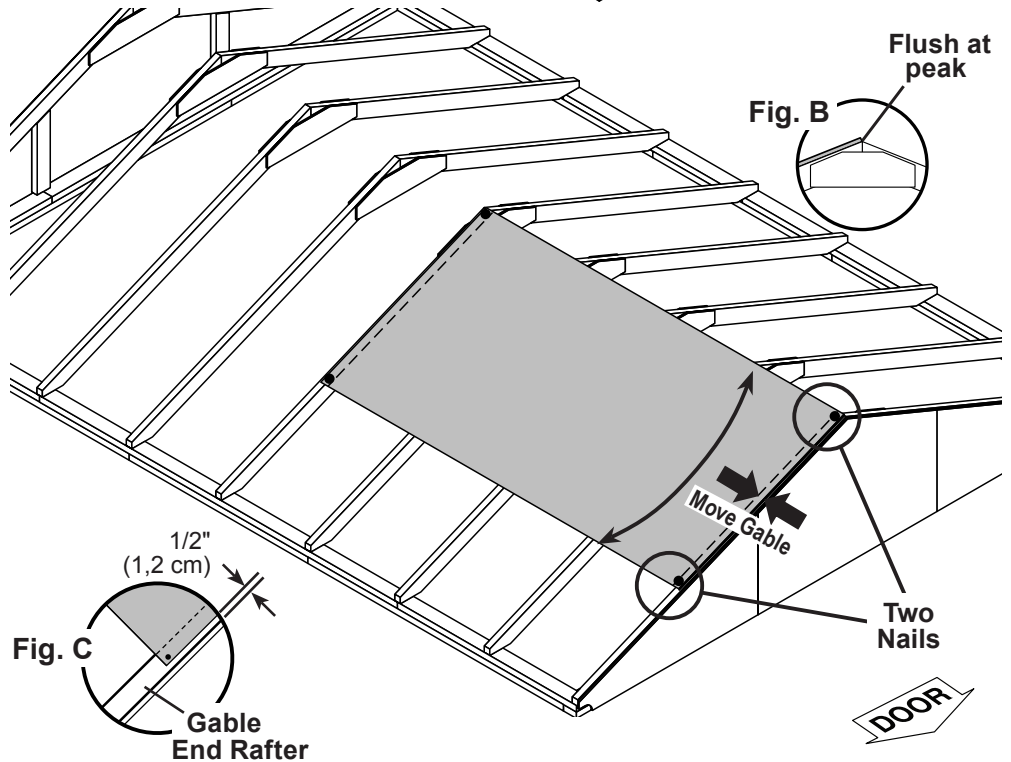


2

Move to the opposite end. Using the long edge of the panel as a lever, move the panel side-to-side until the top corner is flush to the peak (**Fig. B**).

Move gable end rafter edge until it is 1/2" from the panel (**Fig. C**).

Secure panel with (1) 2" nail in each corner.



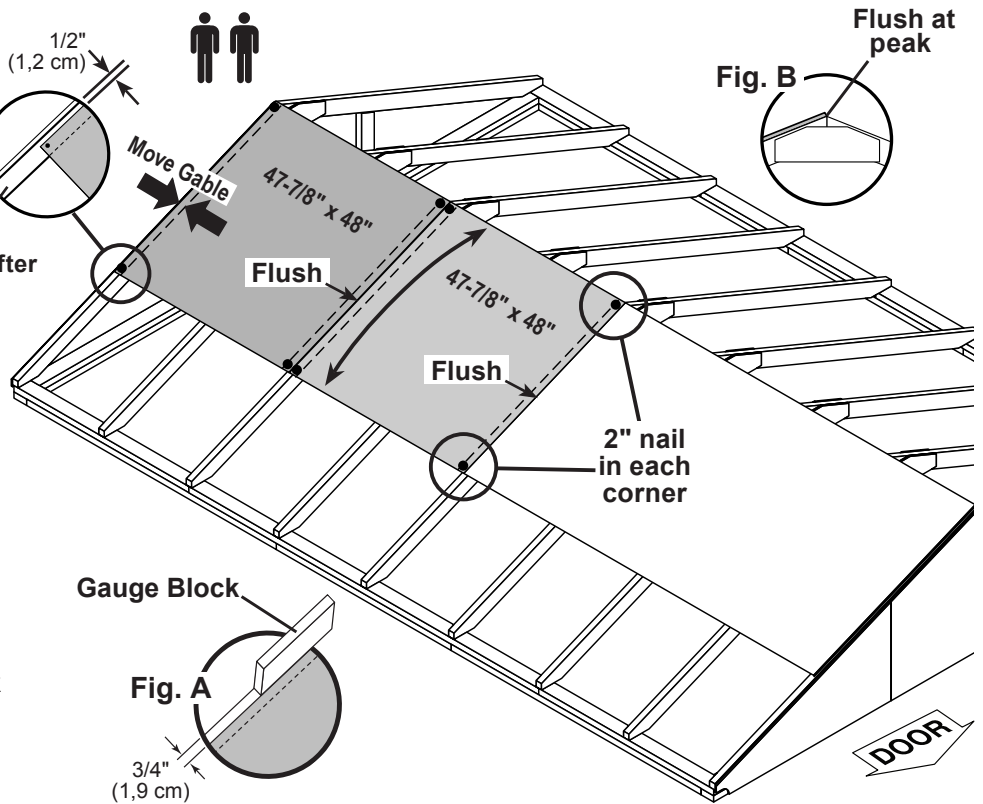
12' x 16' ROOF PANELS

PARTS REQUIRED:



3
Install first $47\text{-}7/8'' \times 48''$ roof panel flush to the installed panel and flush at the peak. Secure panel with (1) 2" nail in each corner.

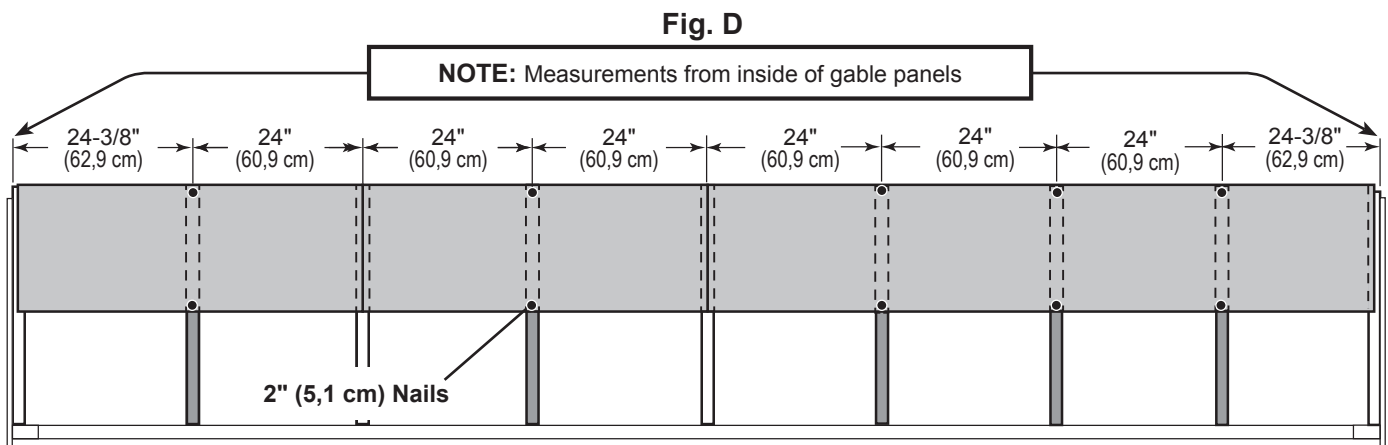
Move to the opposite end. Using the unattached end of the panel as a lever, move the panel side-to-side until the top corner is flush to the peak (**Fig. B**) and there is a $3/4''$ measurement on the rafter (**Fig A**). Finish securing panel with (1) 2" nail in each corner.



4
Install next $48'' \times 48''$ roof panel flush to the installed panel and flush at the peak (**Fig. B**). Secure panel with (1) 2" nail in each corner.

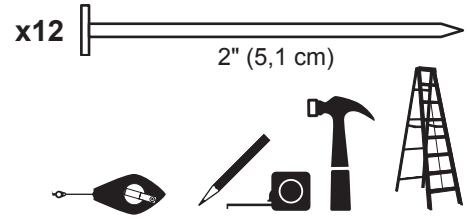
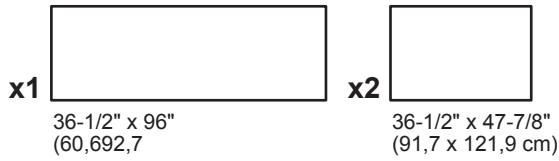
Move gable end rafter edge until it is $1/2''$ from the 2nd $48'' \times 48''$ roof panel (**Fig. C**). Finish securing panel with (1) 2" nail in each corner.

5
Maintain spacing between the center of the rafters at the lower edge of the panels (**Fig. D**). Secure panels with (1) 2" nail into each rafter, as shown. Move to the top of the panel and keep spacing between the center of the rafters. Secure panels with (1) 2" nail into each rafter.

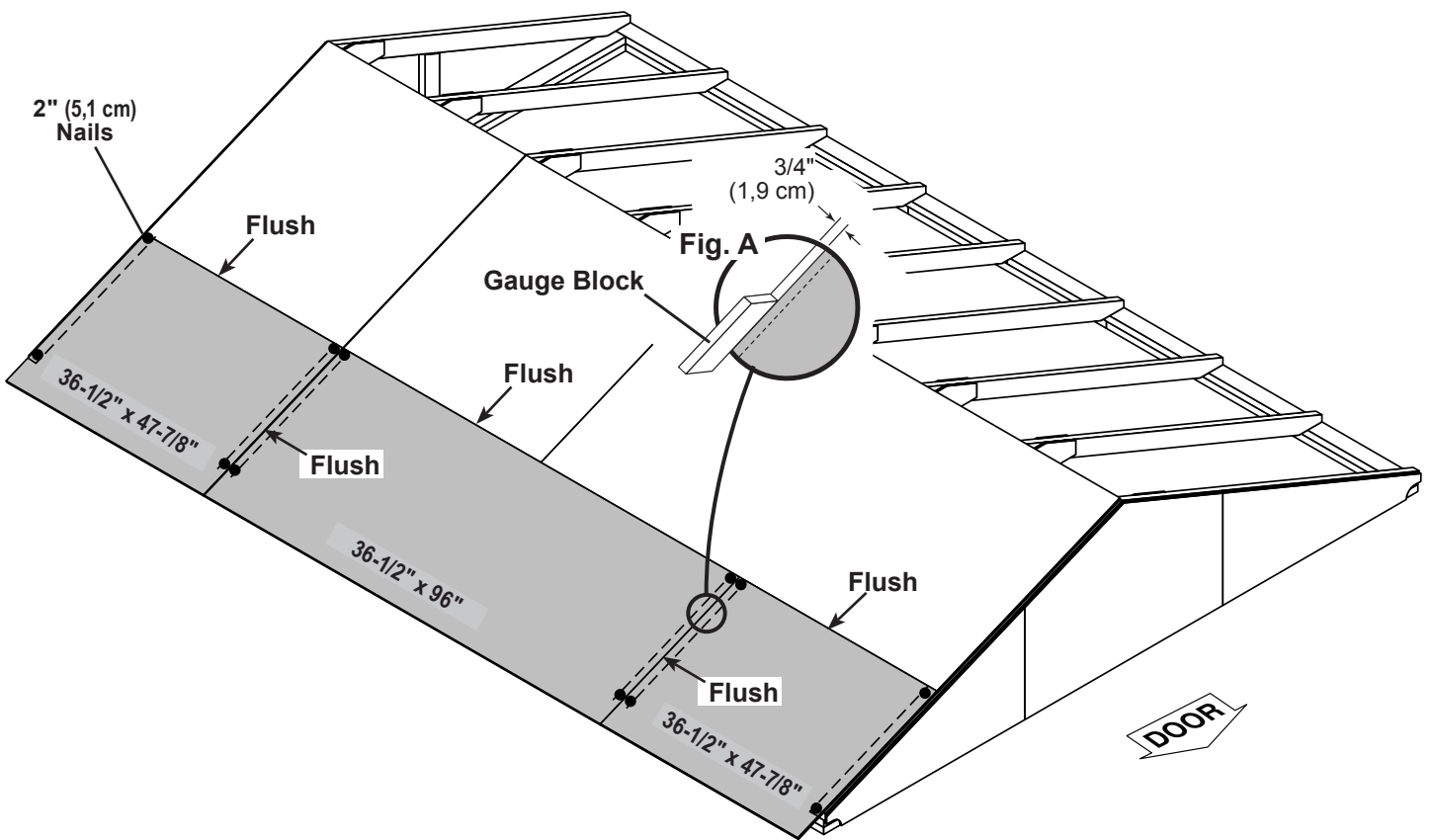


12' x 16' ROOF PANELS

PARTS REQUIRED:



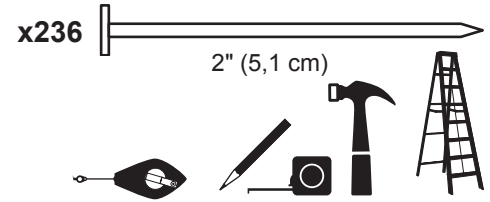
- 6** Next, install **36-1/2" x 96"** with a **3/4"** measurement on the rafter (**Fig A**), and flush to the installed panels. Secure panel with (1) 2" nail in each corner.



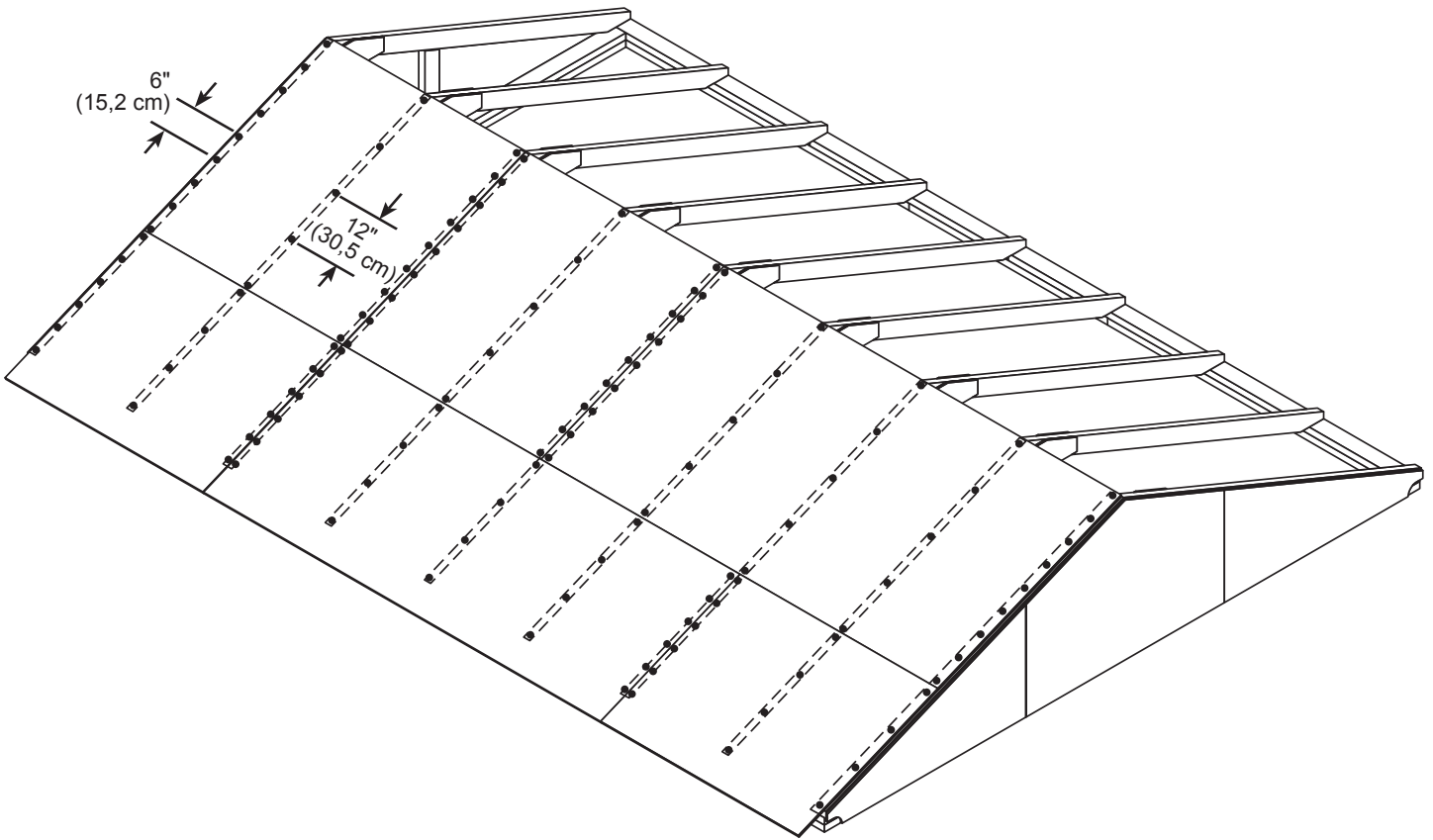
- 7** Instal (2) **36-1/2" x 47-7/8"** roof panels flush to the installed panels in the following order: Secure panels with (1) 2" nail in each corner.

12' x 16' ROOF PANELS

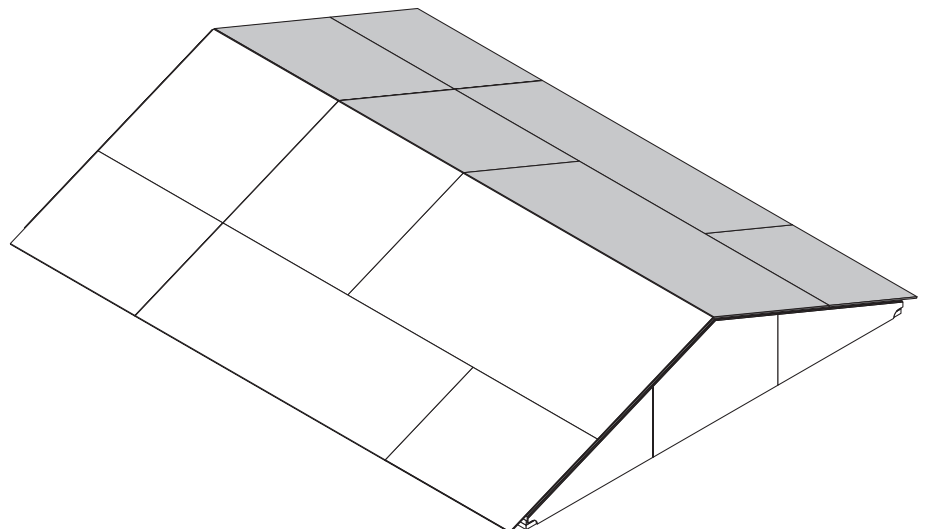
PARTS REQUIRED:



- 8 Secure all roof panels with 2" nails spaced 6" apart and 12" apart inside panels.



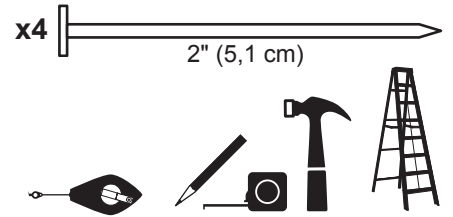
Repeat all steps to install roof panels on the opposite side.




Your roof panels are now installed.

12' x 20' ROOF PANELS

PARTS REQUIRED:



 Roof panels may cause serious injury until securely fastened.
Note: Install all roof panels with the rough side up (painted grid lines).

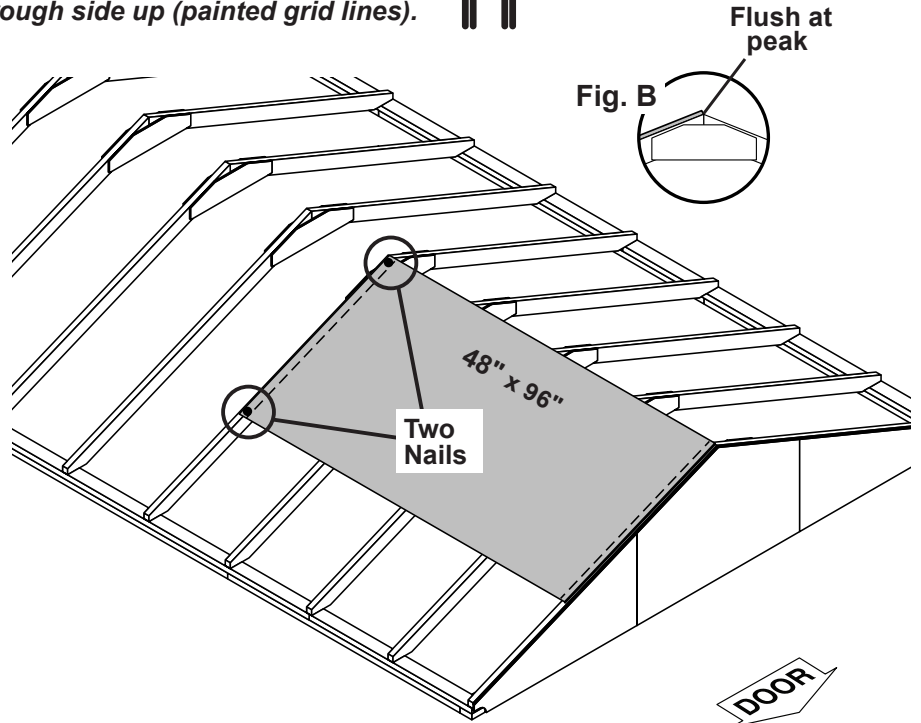
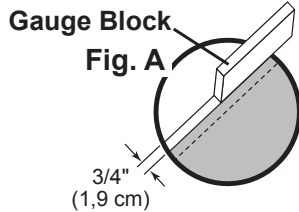


✓ BEGIN

1

Place the 48" x 96" panel on rafters with a 3/4" measurement on the rafter (Fig A) and the panel flush at the peak (Fig. B).

Secure panel with (1) 2" nail in each corner.

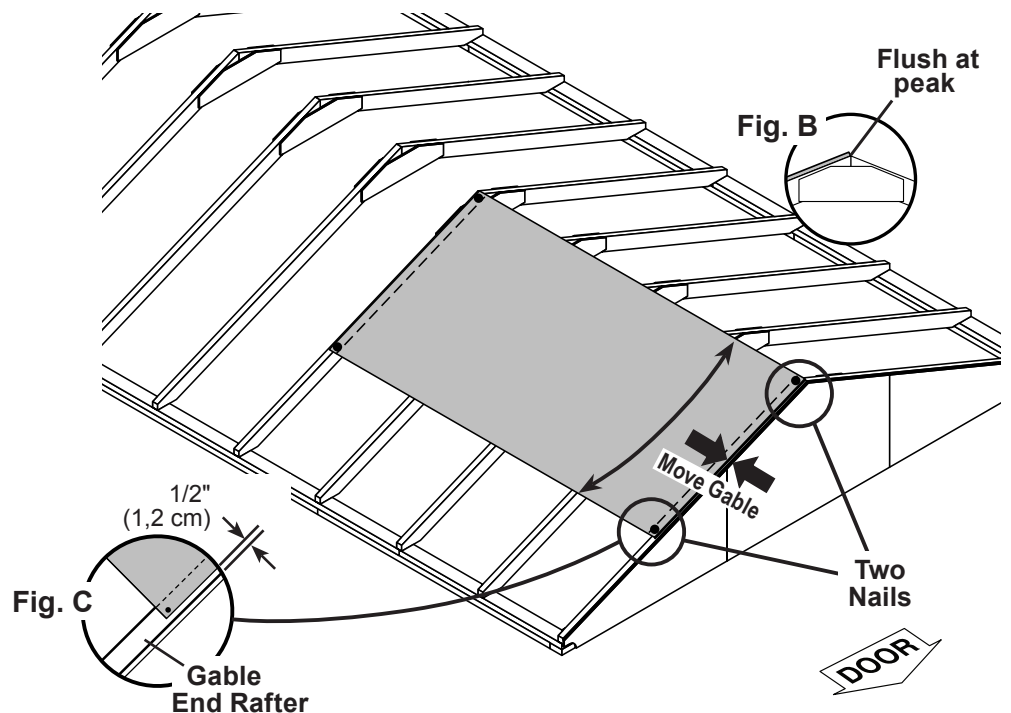


2

Move to the opposite end. Using the long edge of the panel as a lever, move the panel side-to-side until the top corner is flush to the peak (Fig. B).

Move gable end rafter edge until it is 1/2" from the panel (Fig. C).

Secure panel with (1) 2" nail in each corner.



12' x 20' ROOF PANELS

PARTS REQUIRED:



3
Install next 48" x 96" roof panel flush to the installed panel and flush at the peak.
Secure panel with (1) 2" nail in each corner.

Move to the opposite end.
Using the unattached end of the panel as a lever, move the panel side-to-side until the top corner is flush to the peak (**Fig. B**) and there is a 3/4" measurement on the rafter (**Fig. A**).
Finish securing panel with (1) 2" nail in each corner.

4
Install a 47-7/8" x 48" roof panel flush to the installed panel and flush at the peak (**Fig. B**).
Secure panel with (1) 2" nail in each corner.

Move gable end rafter edge until it is 1/2" from the roof panel (**Fig. C**).
Finish securing panel with (1) 2" nail in each corner.

5
Maintain spacing between the center of the rafters at the lower edge of the panels (**Fig. D**).
Secure panels with (1) 2" nail into each rafter, as shown.
Move to the top of the panel and keep spacing between the center of the rafters.
Secure panels with (1) 2" nail into each rafter.

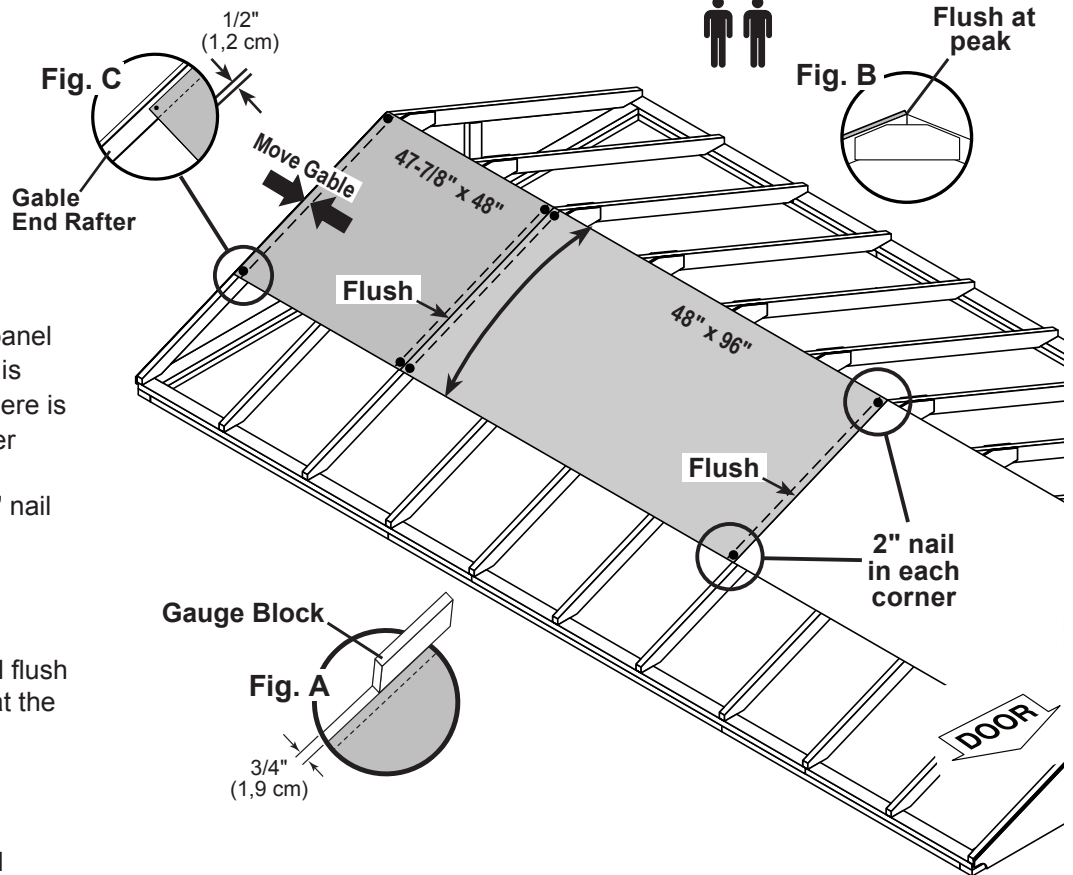
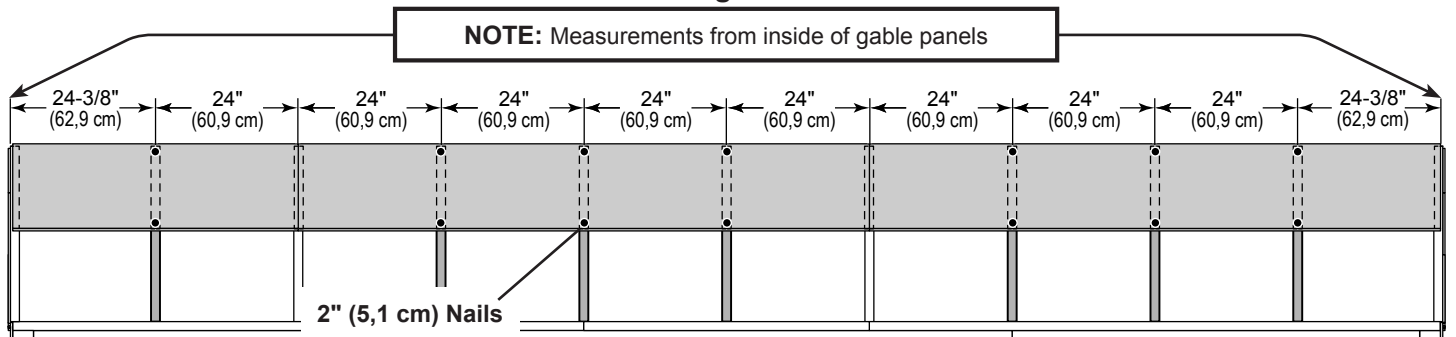


Fig. D

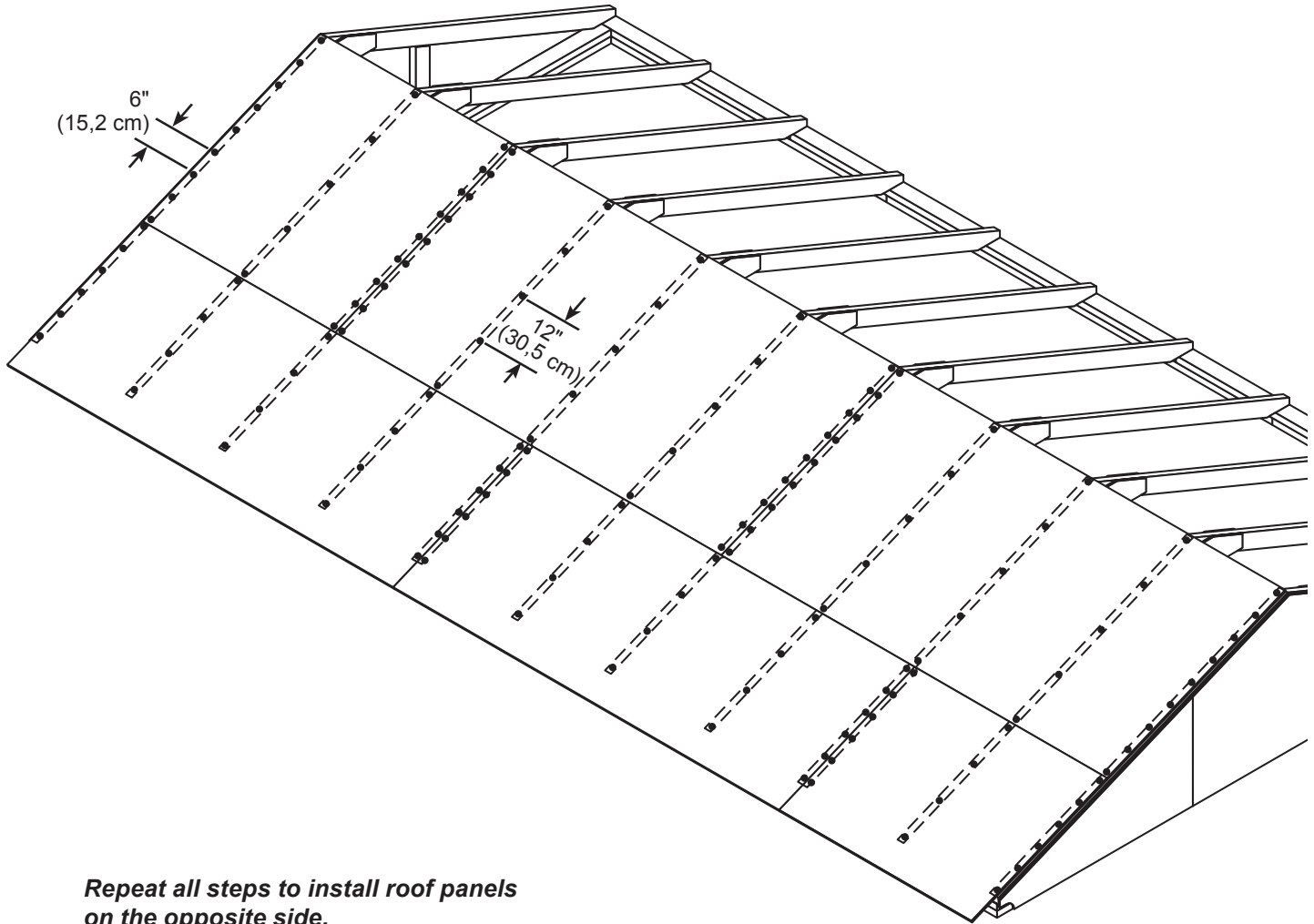


12' x 20' ROOF PANELS

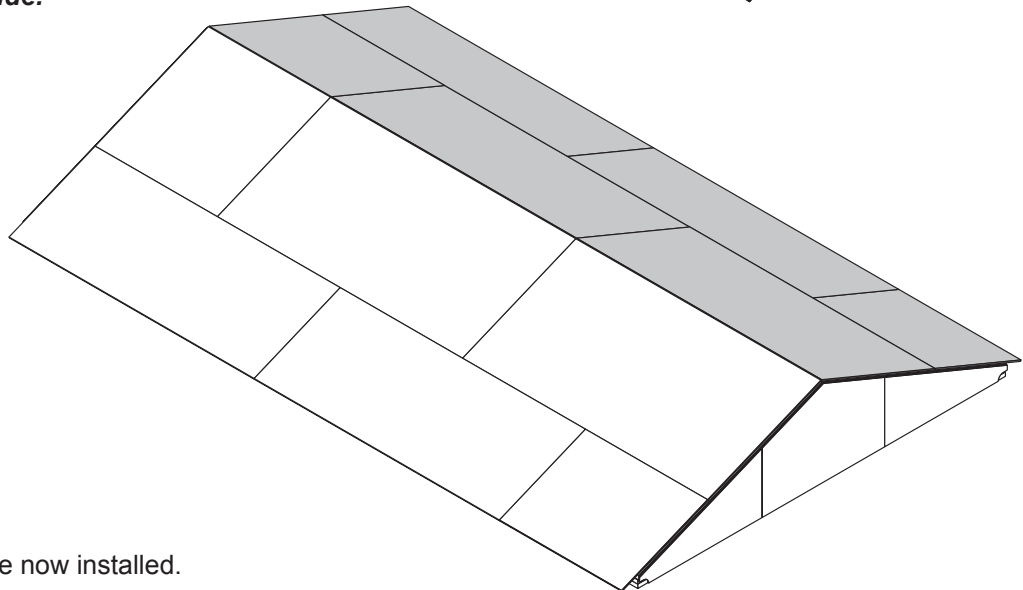
PARTS REQUIRED:



- 8 Secure all roof panels with 2" nails spaced 6" apart and 12" apart inside panels.



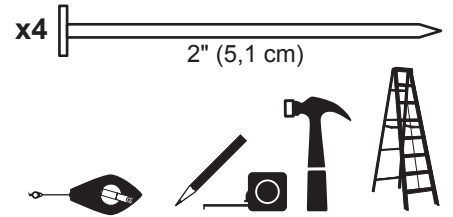
Repeat all steps to install roof panels on the opposite side.




Your roof panels are now installed.

12' x 24' ROOF PANELS

PARTS REQUIRED:

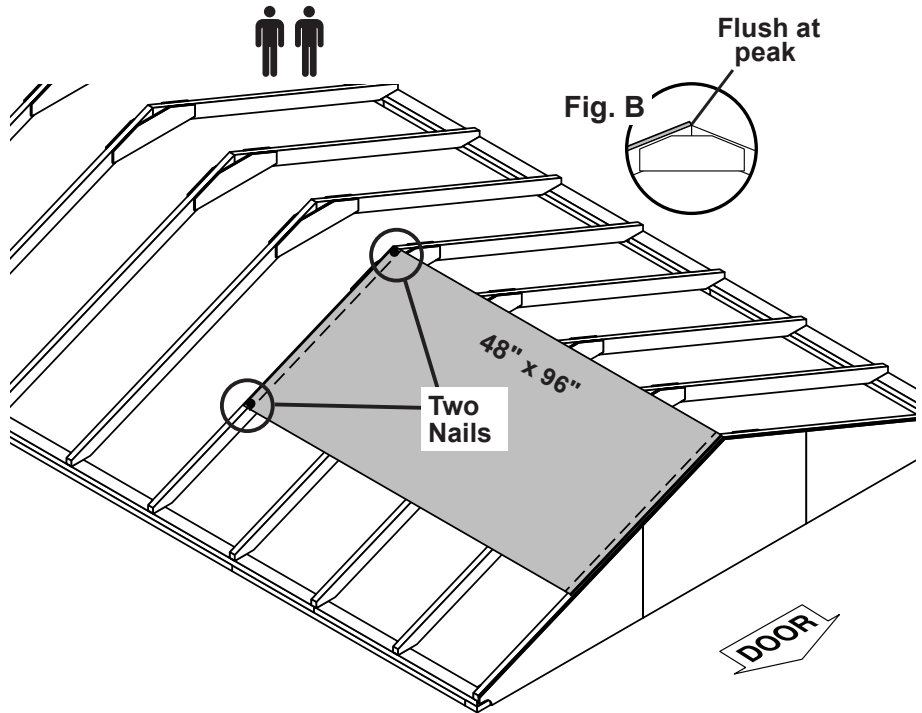
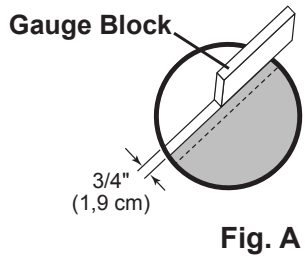


 **Roof panels may cause serious injury until securely fastened.**
Note: Install all roof panels with the rough side up (painted grid lines).

✓ **BEGIN**
1

Place the **48" x 96"** panel on rafters with a **3/4"** measurement on the rafter (**Fig A**) and the panel flush at the peak (**Fig. B**).

Secure panel with (1) 2" nail in each corner.

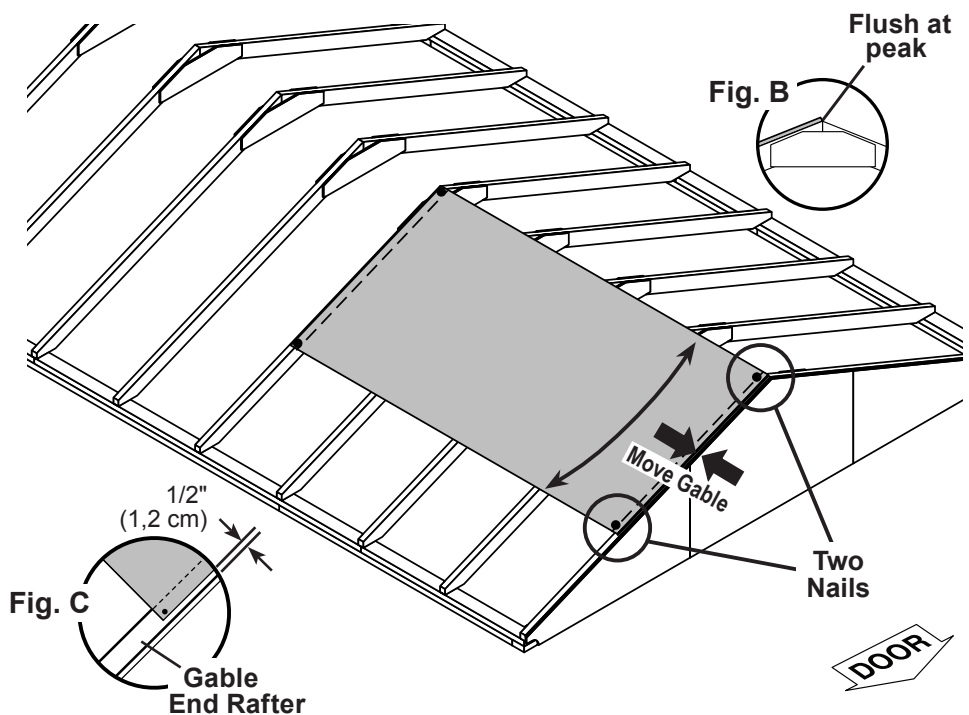


2

Move to the opposite end. Using the long edge of the panel as a lever, move the panel side-to-side until the top corner is flush to the peak (**Fig. B**).

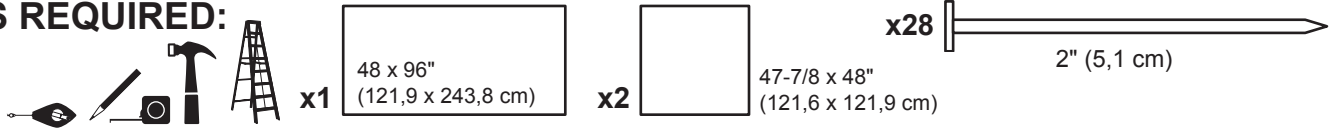
Move gable end rafter edge until it is 1/2" from the panel (**Fig. C**).

Secure panel with (1) 2" nail in each corner.



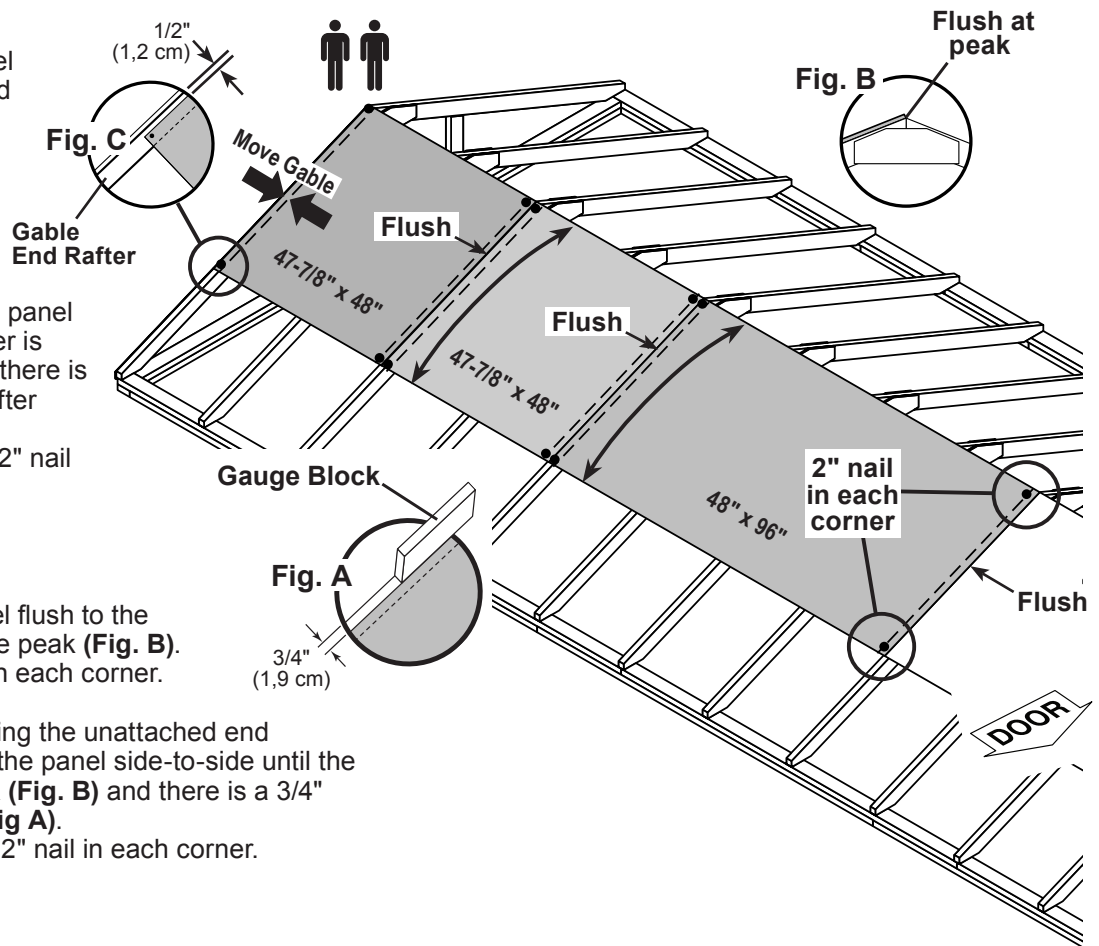
12' x 24' ROOF PANELS

PARTS REQUIRED:



3
Install 2nd 48" x 96" roof panel flush to the installed panel, and flush at the peak (Fig. B). Secure panel with (1) 2" nail in each corner.

Move to the opposite end. Using the unattached end of the panel as a lever, move the panel side-to-side until the top corner is flush to the peak (Fig. B) and there is a 3/4" measurement on the rafter (Fig A). Finish securing panel with (1) 2" nail in each corner.



4
Install 47-7/8" x 48" roof panel flush to the installed panel and flush at the peak (Fig. B). Secure panel with (1) 2" nail in each corner.

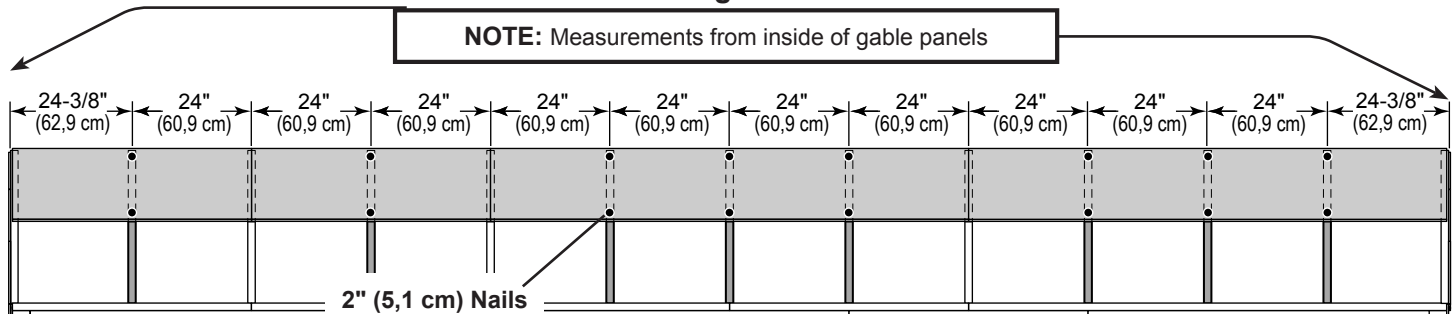
Move to the opposite end. Using the unattached end of the panel as a lever, move the panel side-to-side until the top corner is flush to the peak (Fig. B) and there is a 3/4" measurement on the rafter (Fig A). Finish securing panel with (1) 2" nail in each corner.

5
Install 47-7/8" x 48" roof panel flush to the installed panel and flush at the peak (Fig. B). Secure panel with (1) 2" nail in each corner.

Move gable end rafter edge until it is 1/2" from the 2nd 48" x 48" roof panel (Fig. C). Finish securing panel with (1) 2" nail in each corner.

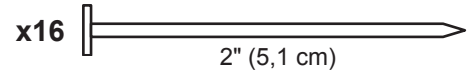
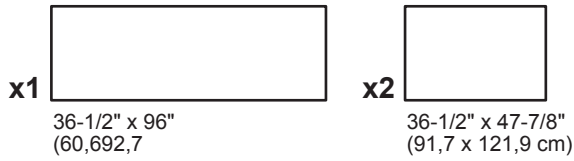
6
Maintain spacing between the center of the rafters at the lower edge of the panels (Fig. D). Secure panels with (1) 2" nail into each rafter, as shown. Move to the top of the panel and keep spacing between the center of the rafters. Secure panels with (1) 2" nail into each rafter.

Fig. D



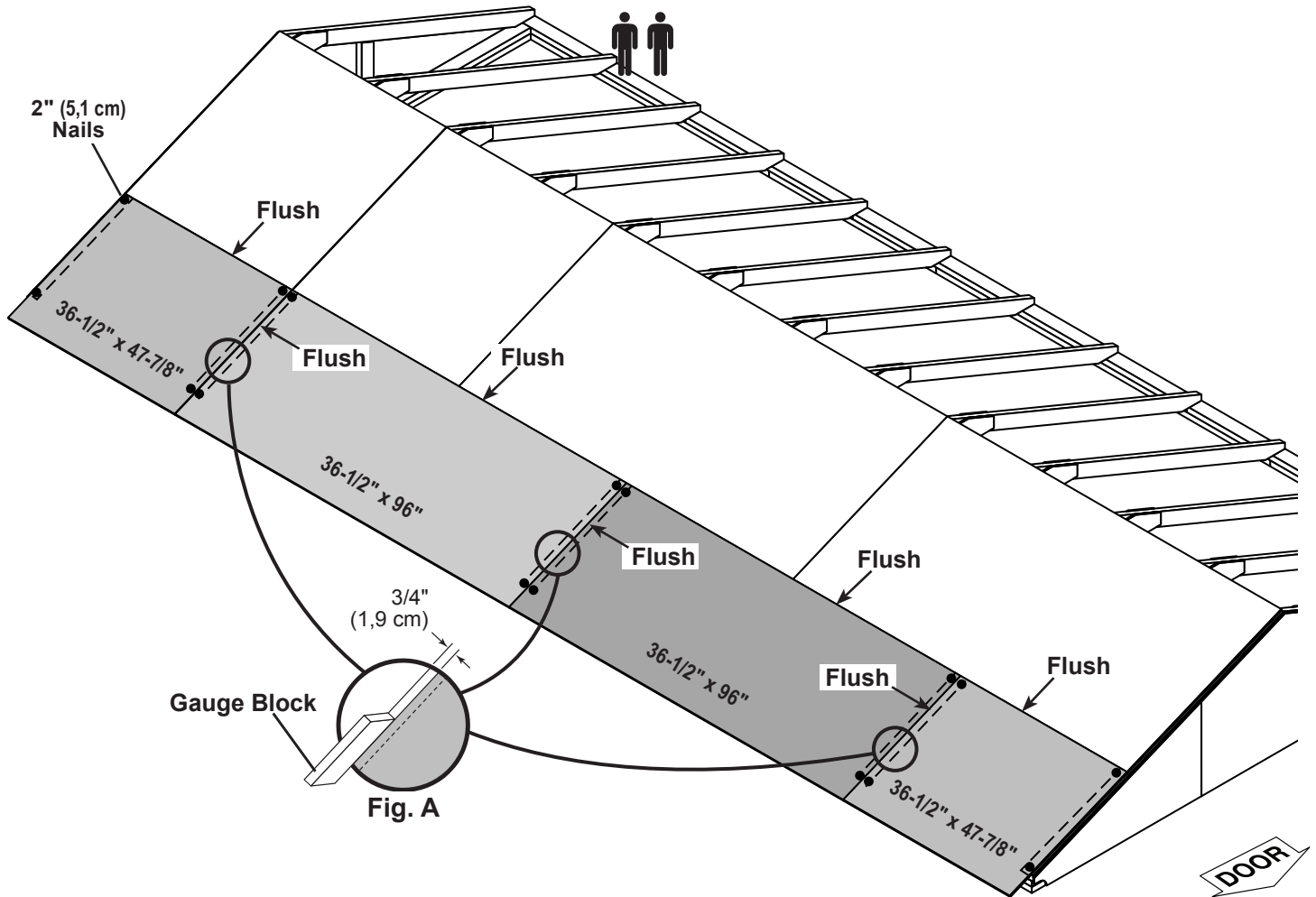
12' x 24' ROOF PANELS

PARTS REQUIRED:



- 7** Install (1) **36-1/2" x 96"** roof panels with a 3/4" measurement on the rafter at each side (**Fig A**), and flush to the installed panels.

Secure panels with (1) 2" nail in each corner.



- 8** Install 2nd **36-1/2" x 96"** flush to the installed panels and with a 3/4" measurement on the rafter (**Fig A**). Secure panel with (1) 2" nail in each corner.

Install (2) **36-1/2" x 47-7/8"** roof panels flush to the installed panels..

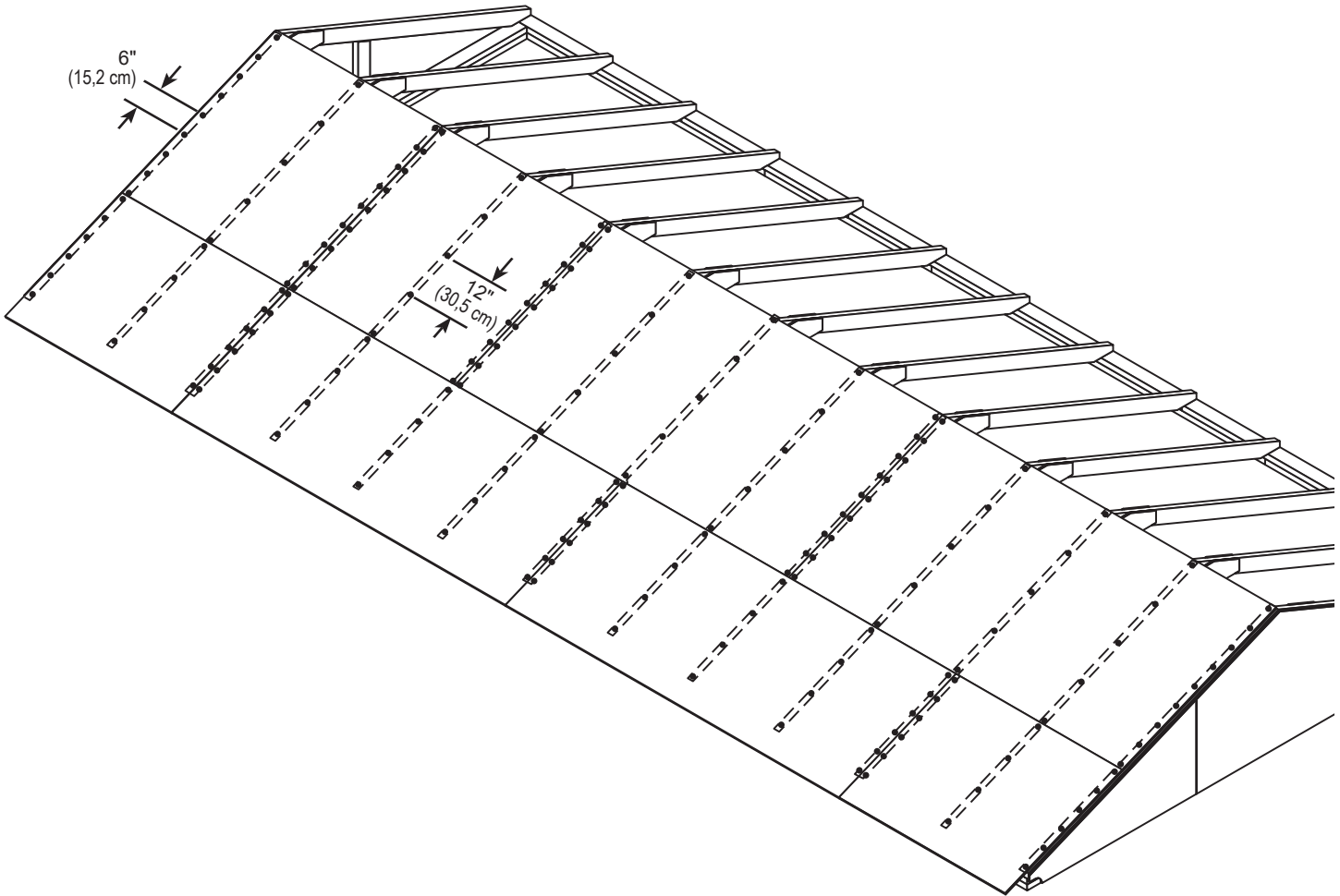
Secure panels with (1) 2" nail in each corner.

12' x 24' ROOF PANELS

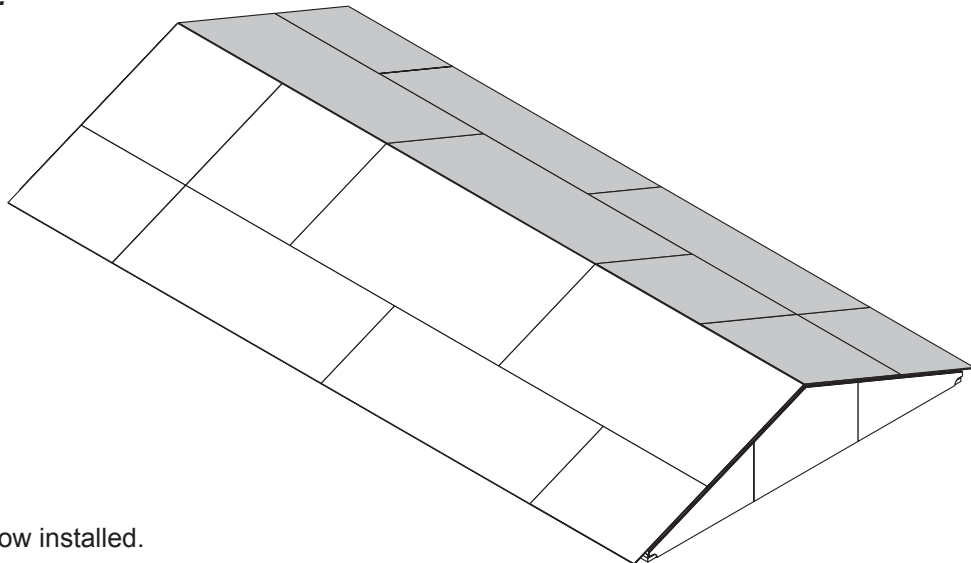
PARTS REQUIRED:



- 9 Secure all roof panels with 2" nails spaced 6" apart and 12" apart inside panels.



Repeat all steps to install roof panels on the opposite side.

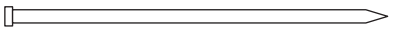


Your roof panels are now installed.

GABLE TRIM

PARTS REQUIRED:

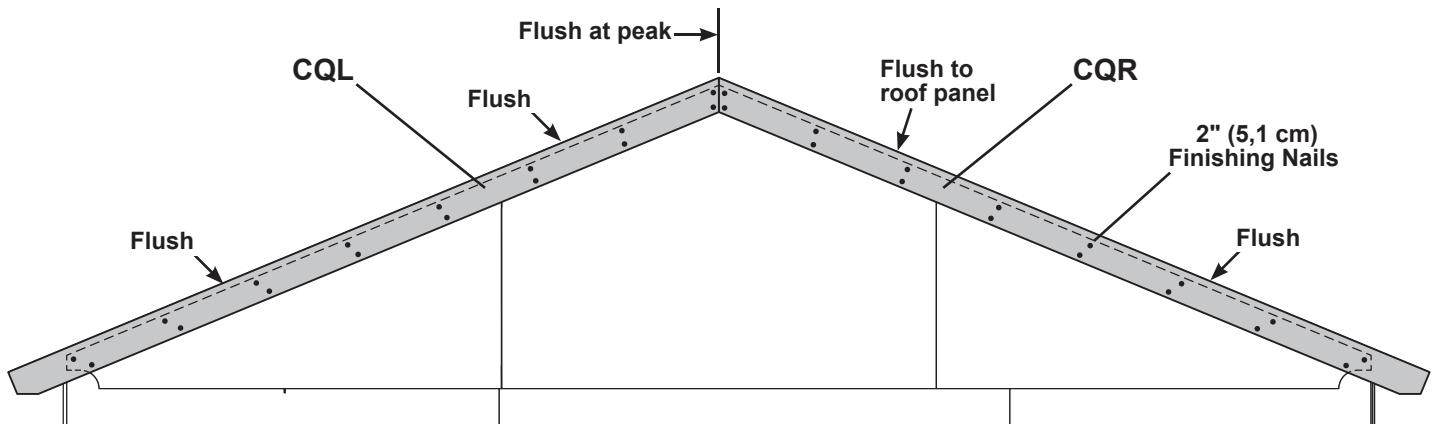
- x2 **CQR**
19/32" x 3-1/2" x 84-15/16" (1,5 x 8,9 x 215,7 cm)
- x2 **CQL**
19/32" x 3-1/2" x 84-15/16" (1,5 x 8,9 x 215,7 cm)

x64  2" (5,1 cm)



✓ **BEGIN**

- 1 Install gable trim **CQR** and **CQL** flush to top of roof panel and flush at peak, as shown.
Secure trim with 2" finish nails spaced evenly.



Repeat steps to install trim to the opposite gable.



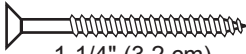
Your gable trim is now installed.

12' x 12' EAVE TRIM

PARTS REQUIRED:

x2 **AS**
2 x 6 x 49-1/2" (5,1 x 15,2 x 125,7 cm)

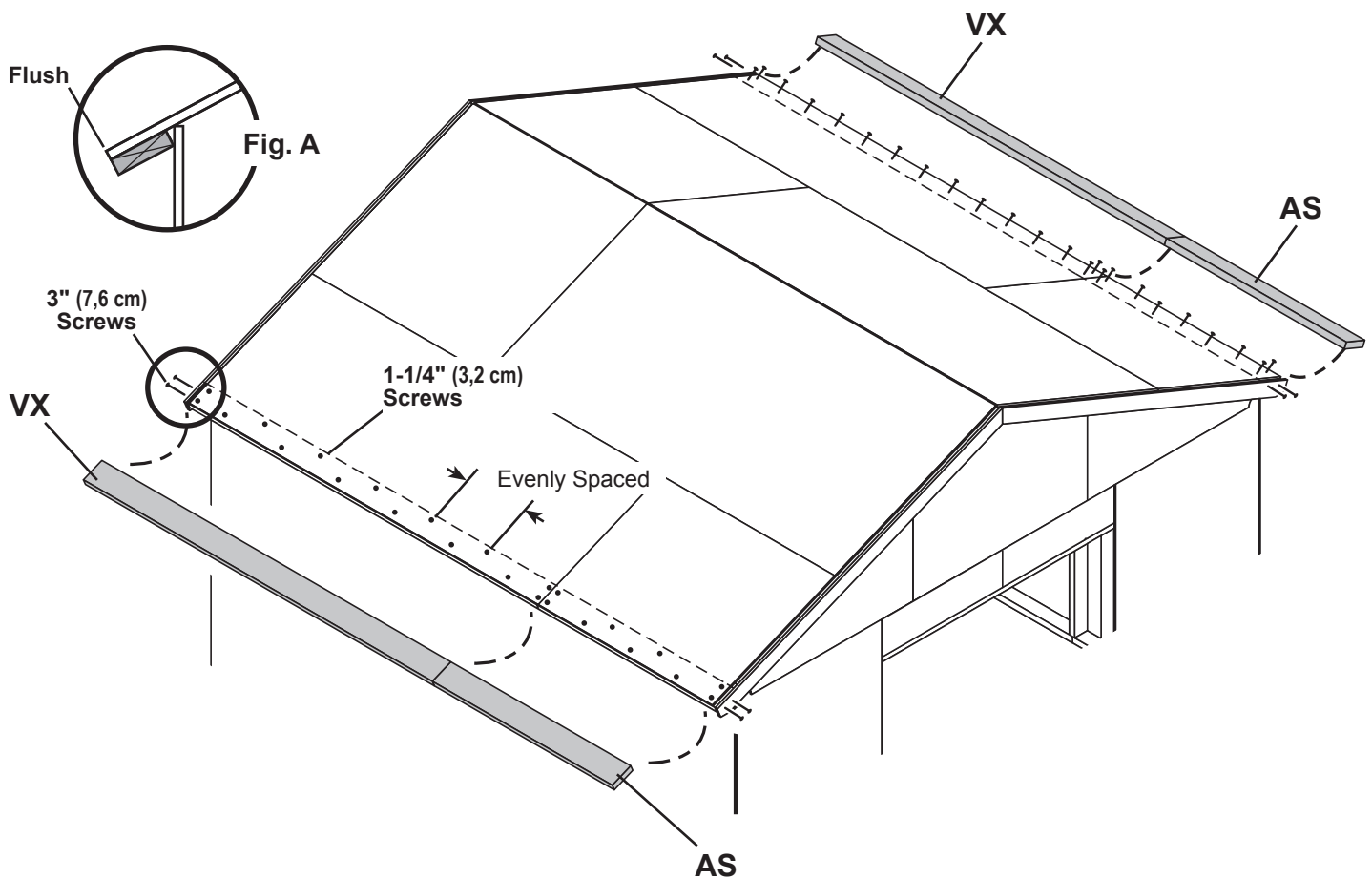
x2 **VX**
2 x 6 x 96" (5,1 x 15,2 x 243,8 cm)

x8  3" (7,6 cm) x58  1-1/4" (3,2 cm)



✓ BEGIN

- 1 Place **VX** eave trim flush along edge of roof panel (**Fig. A**).
Screw through roof panel into trim with 1-1/4" screws spaced evenly in a staggered pattern.
- 2 Install **AS** flush to edge of roof panel and flush to installed eave trim **VX**.
Screw through roof panel into trim with 1-1/4" screws spaced evenly in a staggered pattern.



Repeat installation on opposite side.



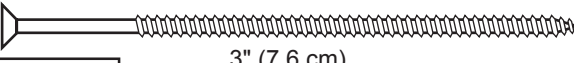
Your eave trim is now installed.

12' x 16' EAVE TRIM

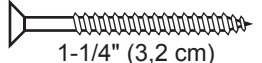
PARTS REQUIRED:

x2 **VX**
2 x 6 x 96" (5,1 x 15,2 x 243,8 cm)

x2 **AS**
2 x 6 x 49-1/2" (5,1 x 15,2 x 125,7 cm)

x8  3" (7,6 cm)

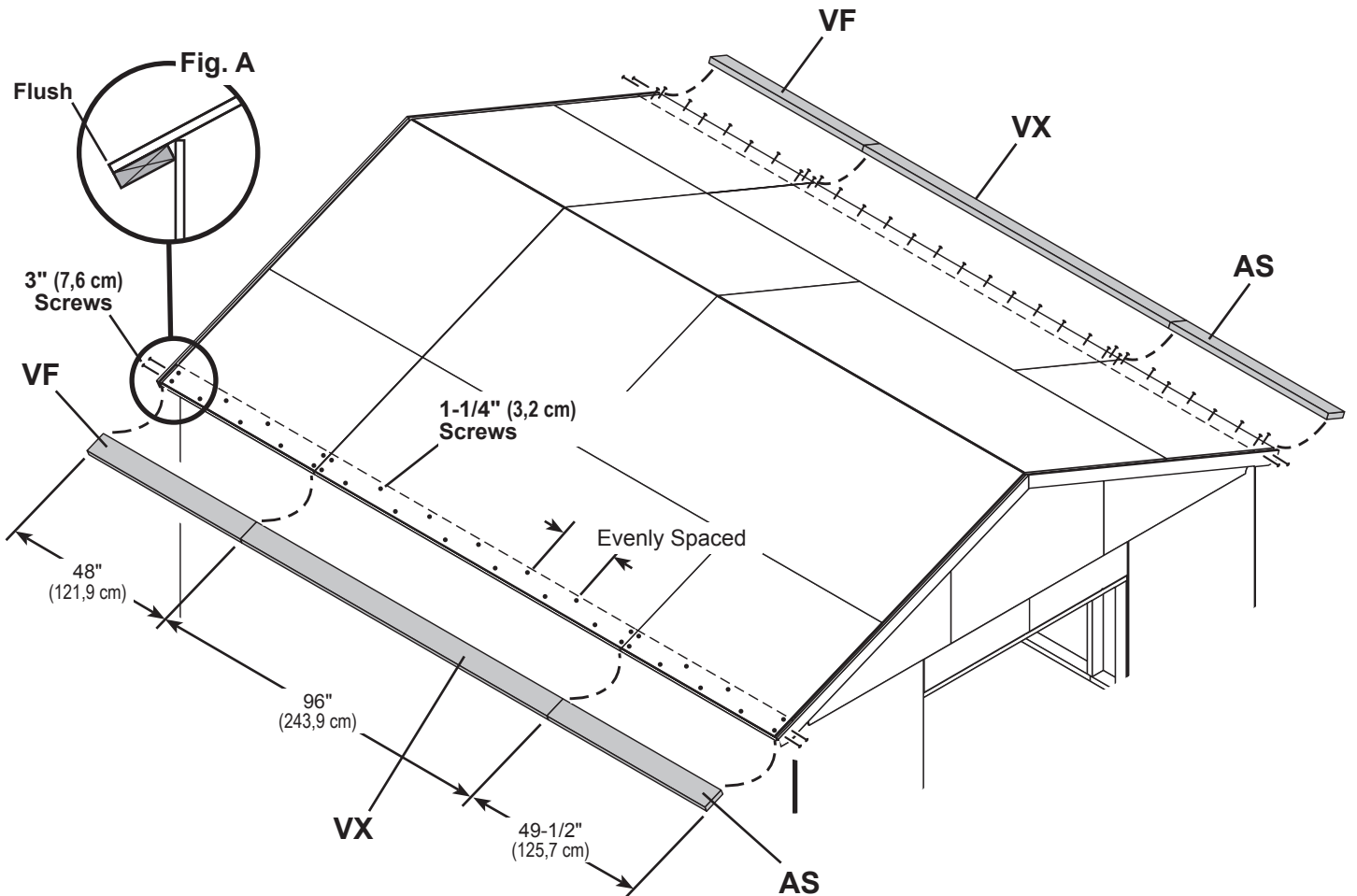
x2 **VF**
2 x 6 x 48" (5,1 x 15,2 x 121,9 cm)

x70  1-1/4" (3,2 cm)



✓ BEGIN

- 1 Place **AS** eave trim flush along edge of roof panel (**Fig. A**) and flush to gable trim. Screw through roof panel into trim with 1-1/4" screws spaced evenly in a staggered pattern.
- 2 Install **VX** flush to edge of roof panel and flush to installed eave trim **AS**. Screw through roof panel into trim with 1-1/4" screws spaced evenly in a staggered pattern.
- 3 Install **VF** flush to edge of roof panel and flush to installed eave trim **VX**. Screw through roof panel into trim with 1-1/4" screws spaced evenly in a staggered pattern.



Repeat installation on opposite side.



Your eave trim is now installed.

12' x 20' EAVE TRIM

PARTS REQUIRED:

x2 **AS**
2 x 6 x 49-1/2" (5,1 x 15,2 x 125,7 cm)

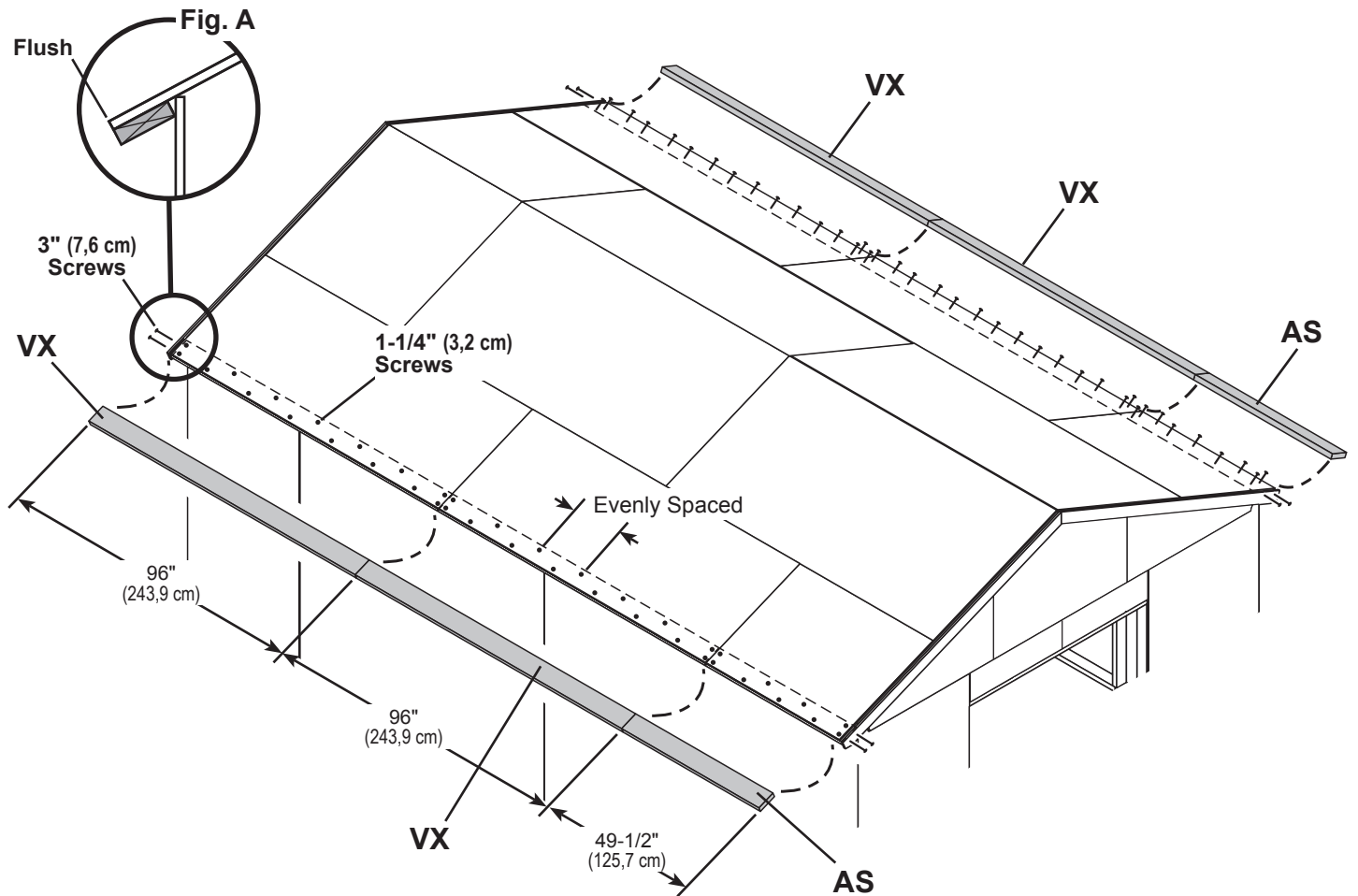
x2 **VX**
2 x 6 x 96" (5,1 x 15,2 x 243,8 cm)

x8  3" (7,6 cm) x82  1-1/4" (3,2 cm)



✓ BEGIN

- 1 Place **AS** eave trim flush along edge of roof panel (**Fig. A**) and flush to gable trim. Screw through roof panel into **AS** with 1-1/4" screws spaced evenly in a staggered pattern.
- 2 Install **VX** flush to edge of roof panel and flush to installed eave trim **AS**. Screw through roof panel into trim with 1-1/4" screws spaced evenly in a staggered pattern.
- 3 Install 2nd **VX** flush to edge of roof panel and flush to installed eave trim **VX**. Screw through roof panel into trim with 1-1/4" screws spaced evenly in a staggered pattern.



Repeat installation on opposite side.




Your eave trim is now installed.

12' x 24' EAVE TRIM

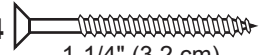
PARTS REQUIRED:

x4 **VX**
2 x 6 x 96" (5,1 x 15,2 x 243,8 cm)

x2 **AS**
2 x 6 x 49-1/2" (5,1 x 15,2 x 125,7 cm)

x8  3" (7,6 cm)

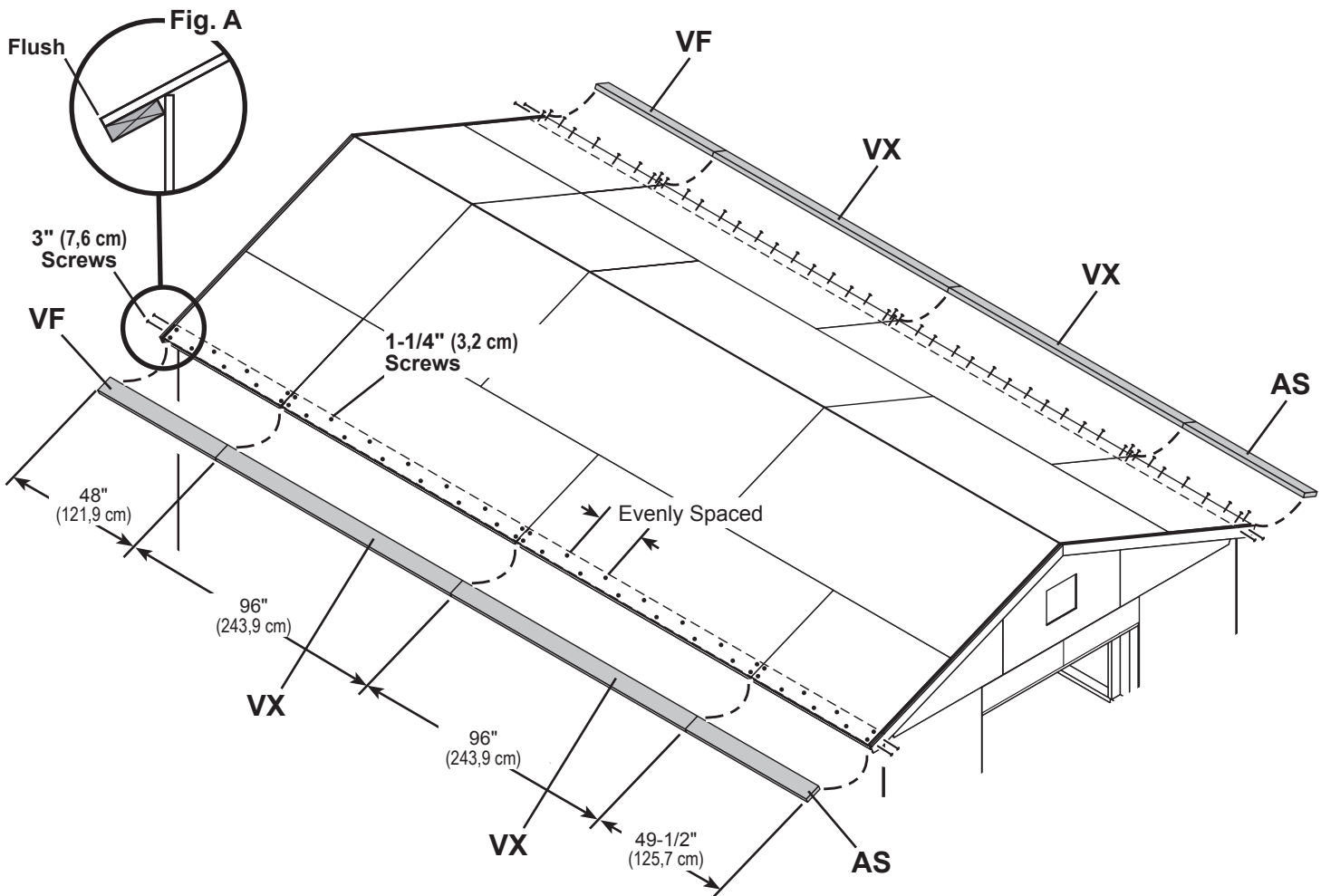
x2 **VF**
2 x 6 x 48" (5,1 x 15,2 x 121,9 cm)

x94  1-1/4" (3,2 cm)



✓ BEGIN

- 1 Place **AS** eave trim flush along edge of roof panel (**Fig. A**) and flush to gable trim. Screw through roof panel into trim with 1-1/4" screws spaced evenly in a staggered pattern.
- 2 Install **VX** flush to edge of roof panel and flush to installed eave trim **AS**. Screw through roof panel into trim with 1-1/4" screws spaced evenly in a staggered pattern.
- 3 Install 2nd **VX** flush to edge of roof panel and flush to installed eave trim **VX**. Screw through roof panel into trim with 1-1/4" screws spaced evenly in a staggered pattern.
- 4 Install **VF** flush to edge of roof panel and flush to installed eave trim **VX**. Screw through roof panel into trim with 1-1/4" screws spaced evenly in a staggered pattern.




Repeat installation on opposite side.

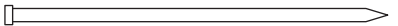


Your eave trim is now installed.

CORNER TRIM

PARTS REQUIRED:

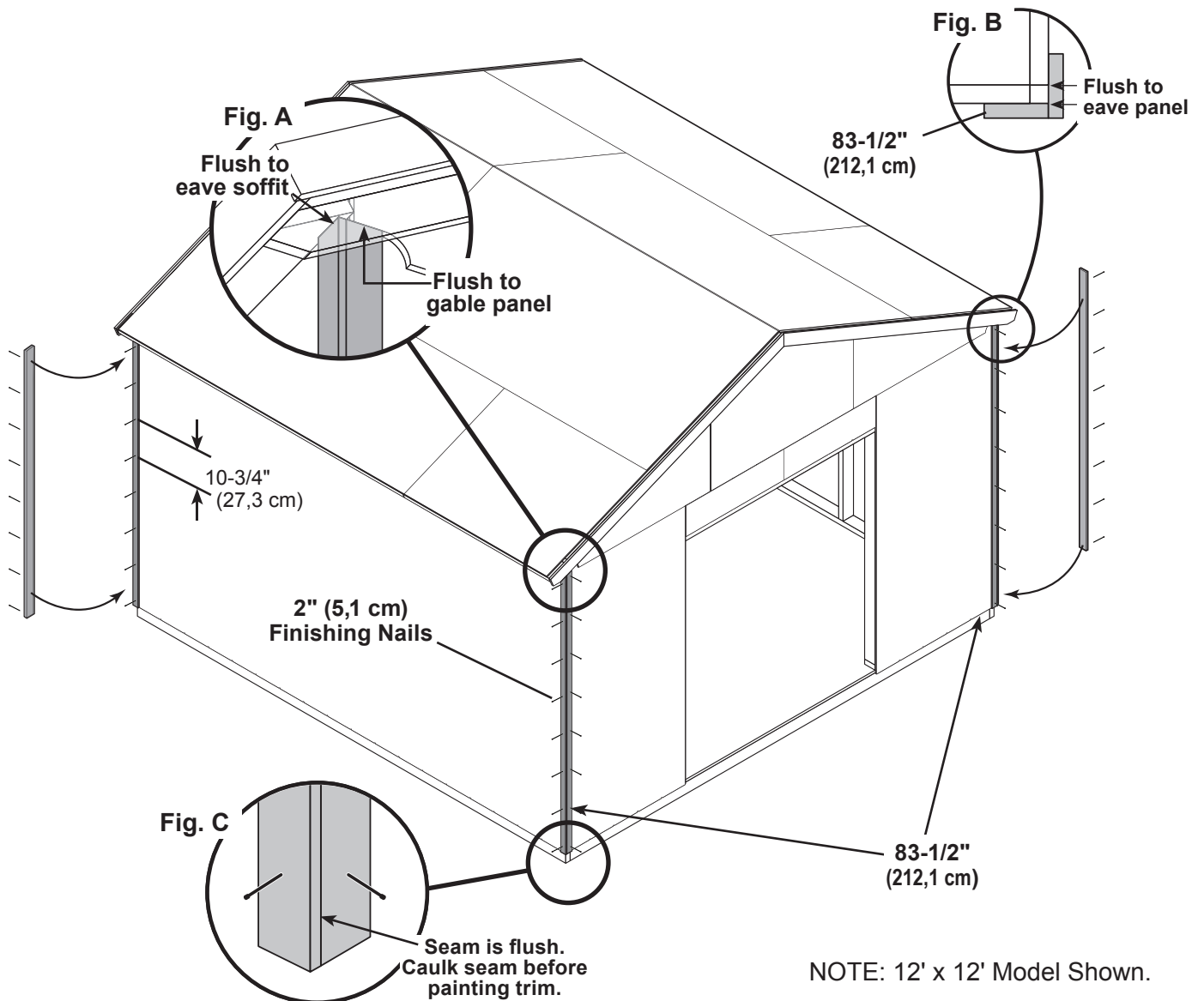
x8 
3/8" x 1-3/4" x 83-1/2" (1 x 4,5 x 212,1cm)

x64  2" (5,1 cm)



✓ BEGIN

- 1 Install gable end **83-1/2"** corner trim under gable panel, (**Fig. A**) and flush to eave wall panel (**Fig. B**). Secure with 2" finishing nails spaced evenly.
- 2 Install eave side **83-1/2"** corner trim flush to eave soffit and flush along seam of installed corner trim (**Fig. C**). Secure with 2" finishing nails spaced evenly.



Repeat steps for each corner of shed.

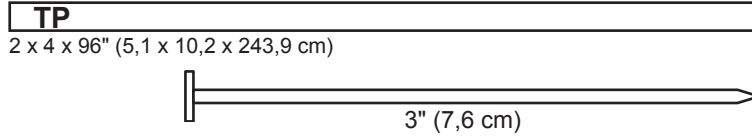


Your corner trim is now installed.

COLLAR TIE INSTALLATION

12x12' 12x16' 12x20' 12x24'

PARTS REQUIRED:



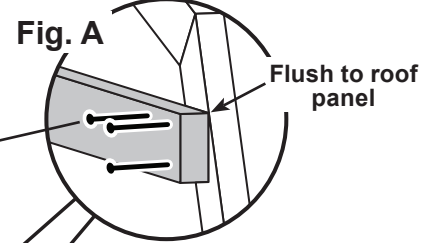
x2	x3	x4	x5
x12	x18	x24	x30

✓ BEGIN



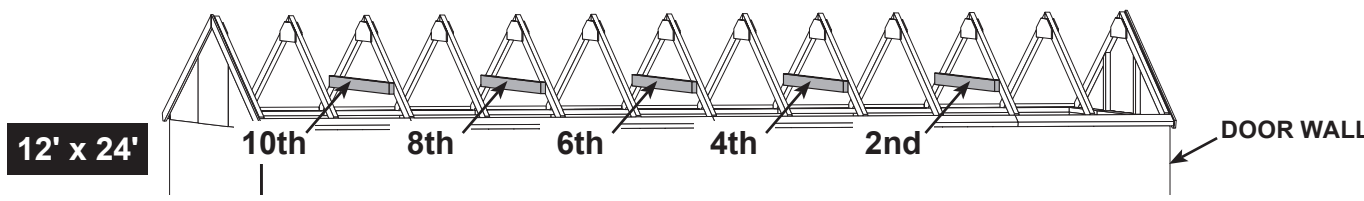
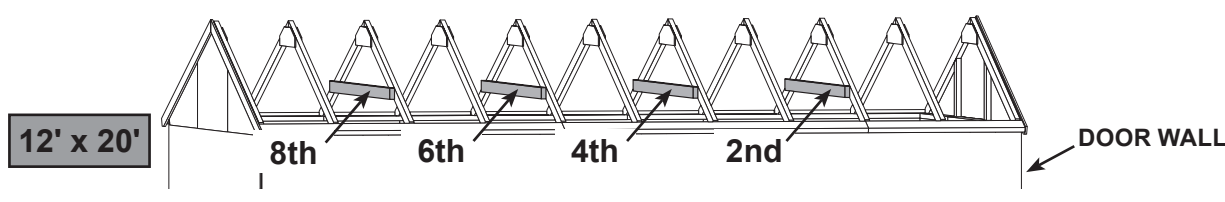
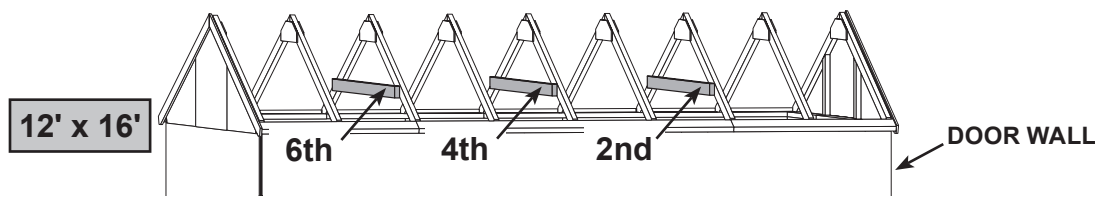
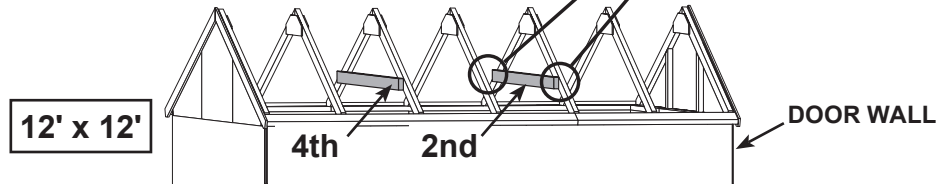
- 1 Install collar tie to the rafter with (3) 3" nails at each end (Fig. A).

Starting at the wall with the door, install first collar tie on the 2nd rafter from the wall and then on **every other** rafter, as shown.



HINT:

For best appearance, install collar ties on back side of rafter.

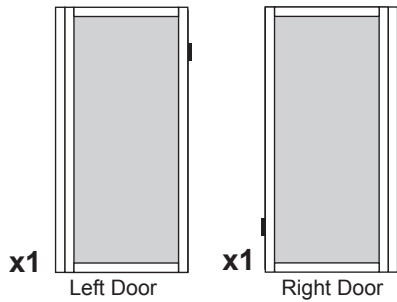


FINISH

Your collar tie(s) are now installed.

DOORS

PARTS REQUIRED:

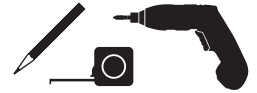


x1 **GAA**
1 x 3 x 5" (2,5 x 7,6 x 12,7 cm)

x1 **OO**
69" (175,3 cm) Door Stiffener

x4 3" (7,6 cm)

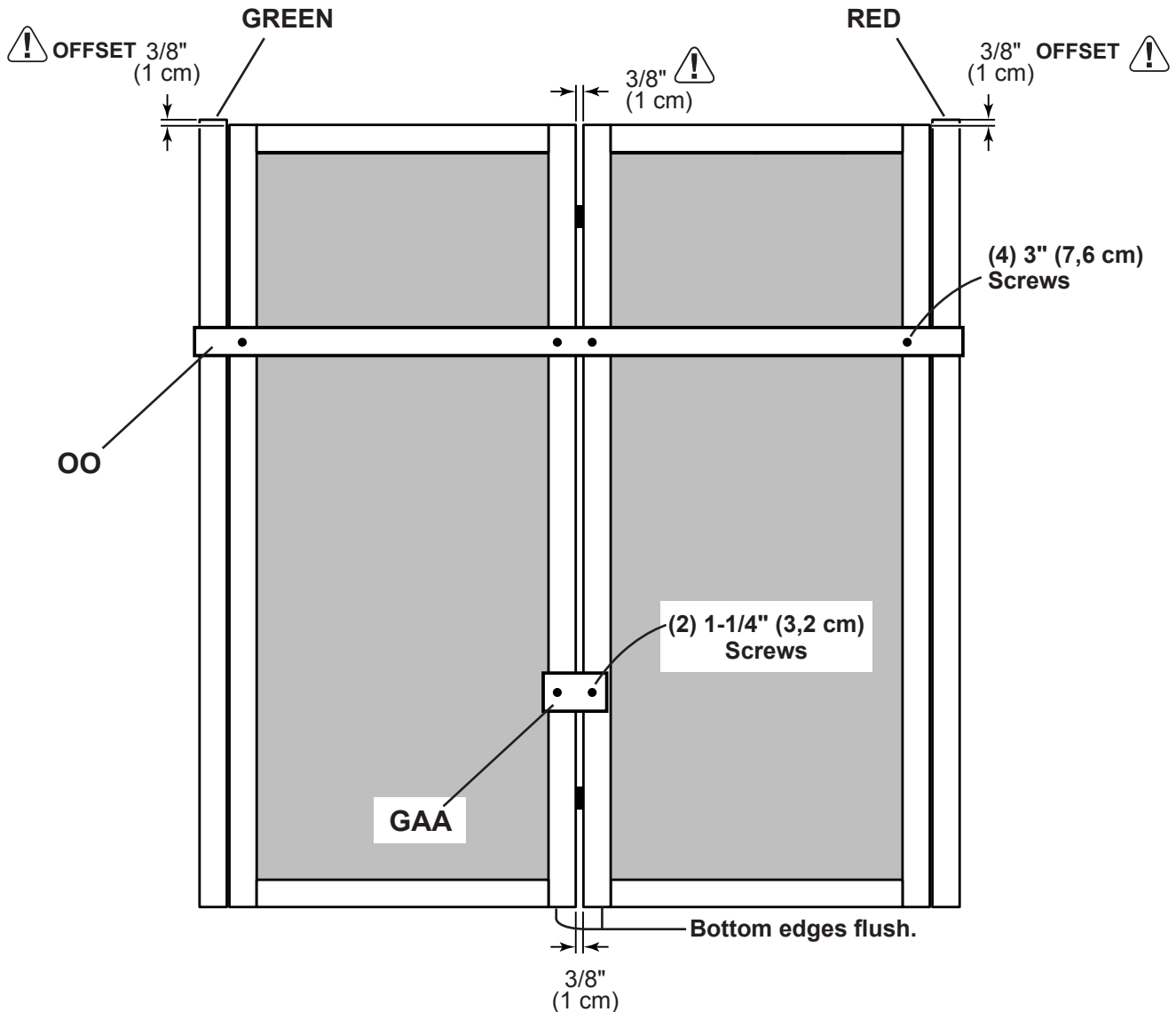
x2 1-1/4" (3,2 cm)



✓ BEGIN

- 1 Place doors on flat surface. **3/8" offset is to top.**
Look for red (right) and green (left) on hinge board.


Attach temporary supports **OO** and **GAA** as shown.

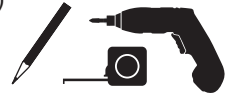


DOORS

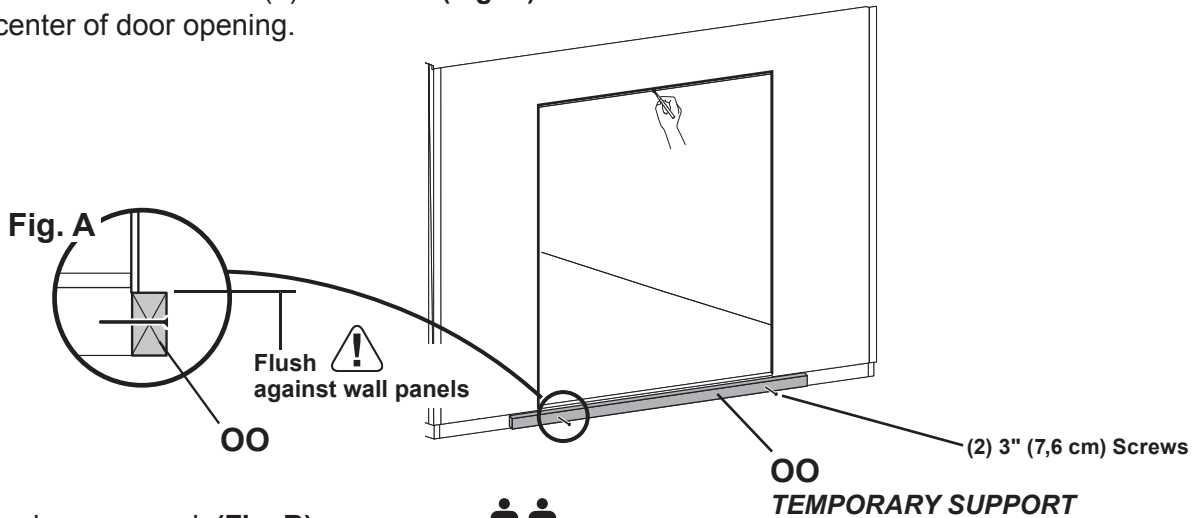
PARTS REQUIRED:


x1 **OO** TEMPORARY SUPPORT
69" (175,3 cm) Door Stiffener

x12  3" (7,6 cm)

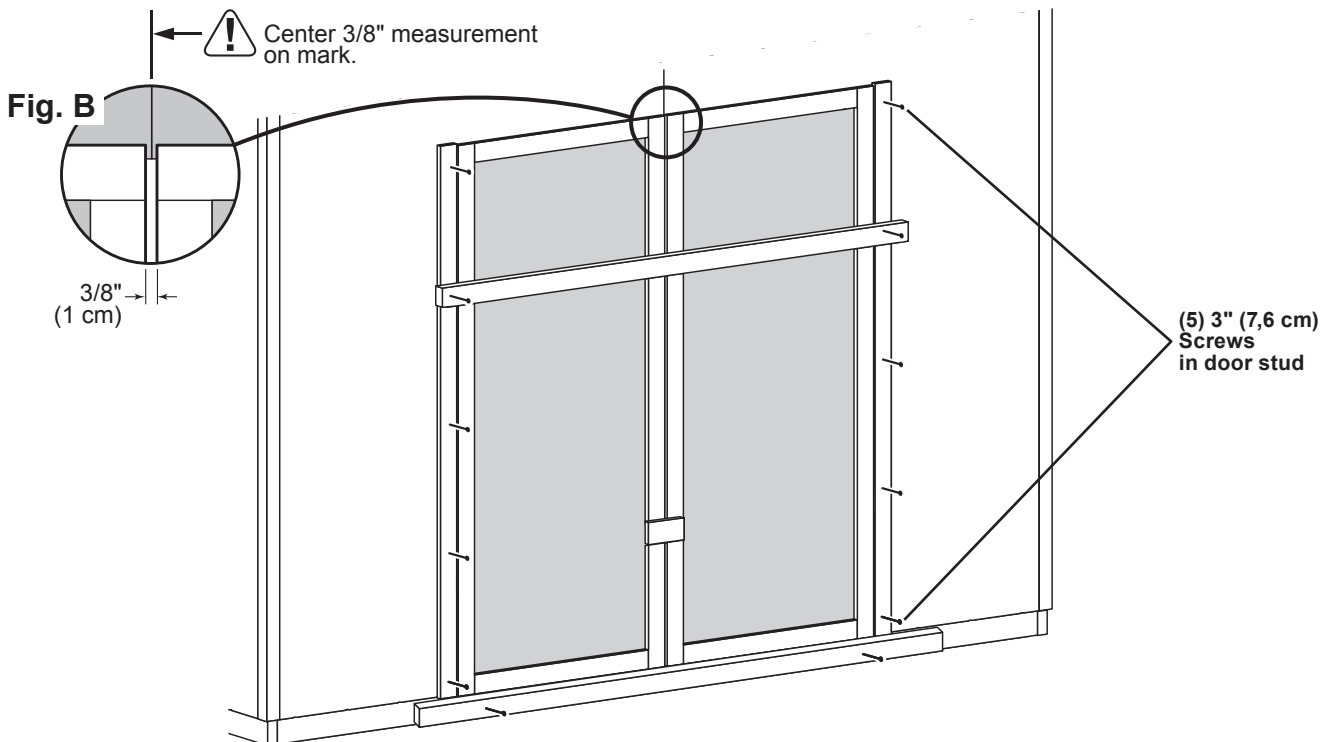


- 2 Install **OO** flush under panels.
Secure to floor frame with (2) 3" screws (**Fig. A**).
Mark center of door opening.



- 3 Center doors on mark (**Fig. B**). 

- 4 Screw hinge boards into wall supports with (10) 3" screws, as shown.
 **Make sure screws go into framing.**



Remove temporary supports and check to make sure doors open and close properly.



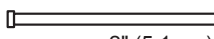
Your doors are now installed.

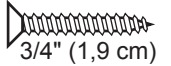
DOORS

PARTS REQUIRED:

x2 **AH**
19/32" x 2-1/2" x 26 5/8" (1,5 x 6,3 x 67,6 cm)

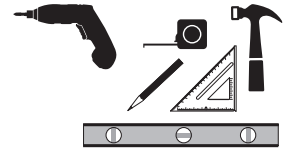
x1 **ZJ**
19/32" x 2-1/2" x 72" (1,5 x 7,6 x 182,9 cm)

x7  2" (5,1 cm)

x72  3/4" (1,9 cm)

x2 **MDR**
19/32" x 2-1/2" x 39-7/8" (1,5 x 6,3 x 101,3 cm)

x2 **MDL**
19/32" x 2-1/2" x 39-7/8" (1,5 x 6,3 x 101,3 cm)

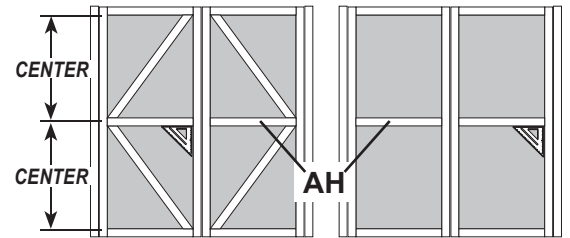


BEGIN

You have 3 options for door trim, see Fig. C.

Fig. C

- 1 Arrange trim **AH**, **MDL** and **MDR** as shown. Square **AH** before fastening. Fasten trim to each door from inside with 3/4" screws (Fig. A, Fig B).
- 2 Center trim **ZJ** over doors and secure with (7) 2" finishing nails into framing, as shown.



Trim Option 2

Trim Option 3

Customize your door trim; use 1 of 3 options: Assembly for Option 1 is shown in Fig. A. If you choose Option 2, reverse MDL and MDR. If you choose Option 3, center AH horizontally. Follow steps 1, 2 and 3. Add or subtract more screws as needed.

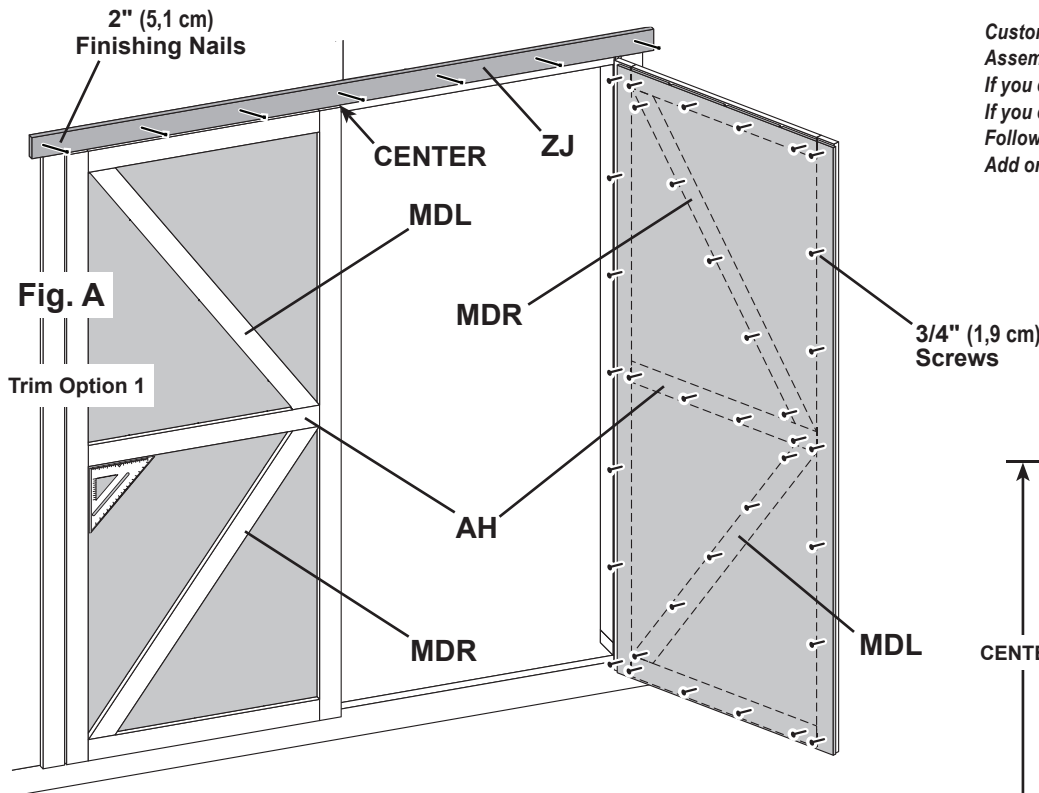
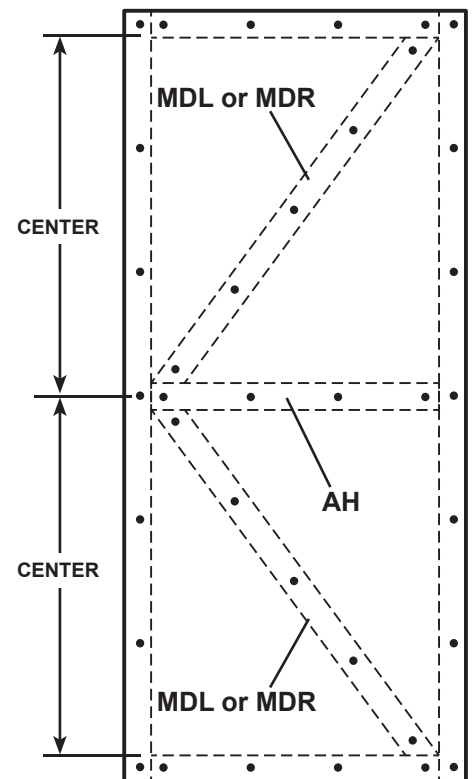


Fig. A

Trim Option 1

Fig. B



Your door trim is now installed.

DOOR STIFFENERS

PARTS REQUIRED:

x2 **OO**
69" (175,3 cm) Door Stiffener

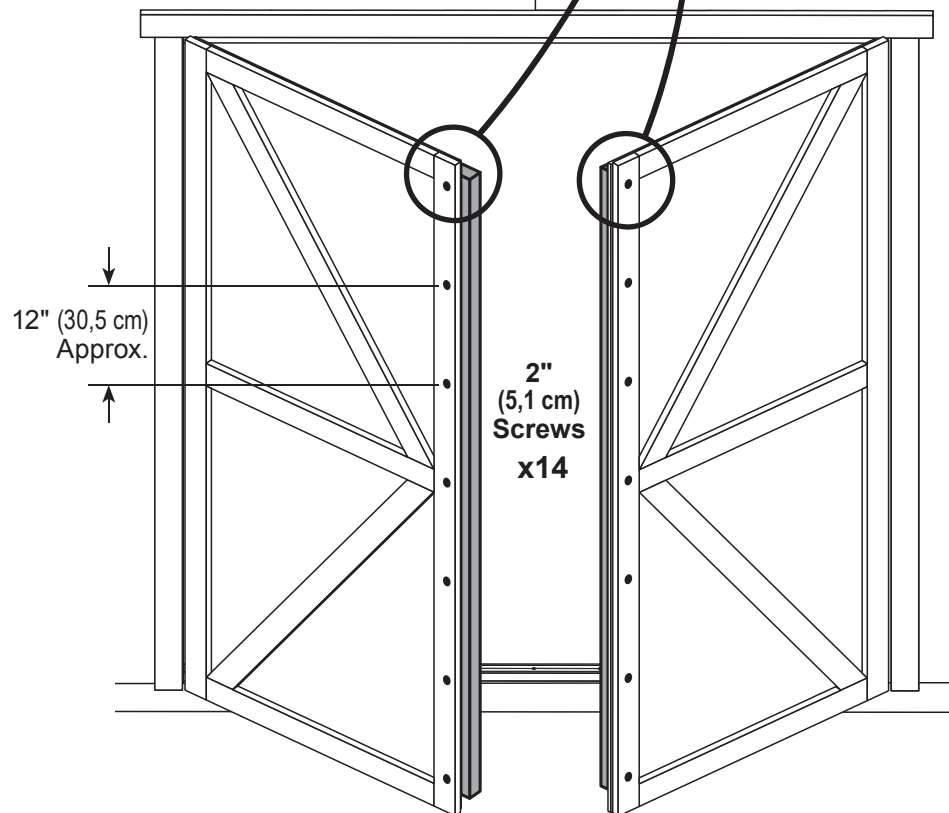
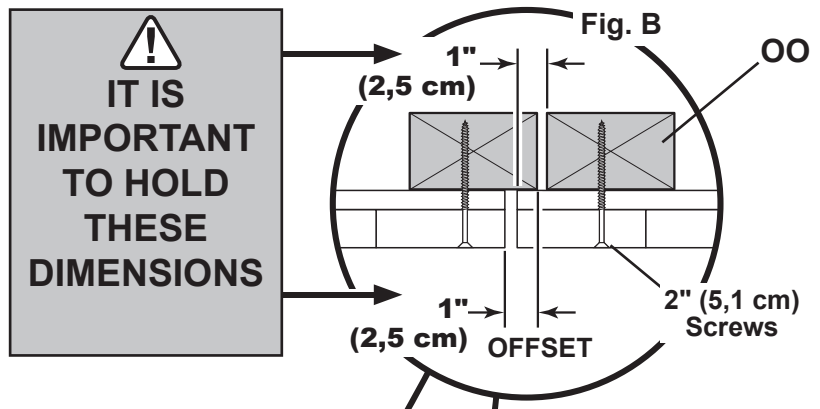
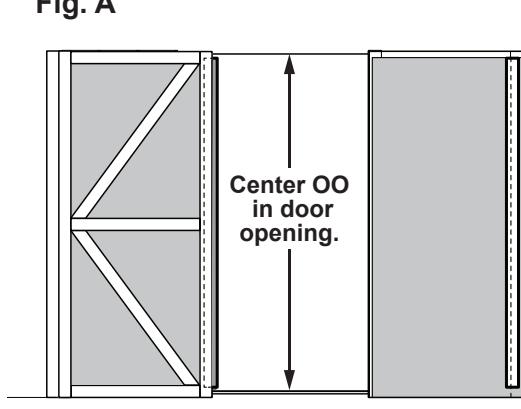
x14
2" (5,1 cm)



✓ BEGIN

- 1** Center **OO** vertically on the left door in the doorway (**Fig. A**) overlapping 1" (2,5 cm) along the edge of door (**Fig. B**).
Secure with (7) 2" screws through outside trim into **OO**.
- 2** Center **OO** vertically on the right door in the door opening offset 1" (2,5 cm) from the edge of door (**Fig. B**).
Secure with (7) 2" screws through outside trim into **OO**.

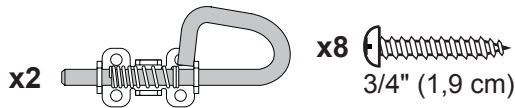
Fig. A



Your door stiffeners are now installed.

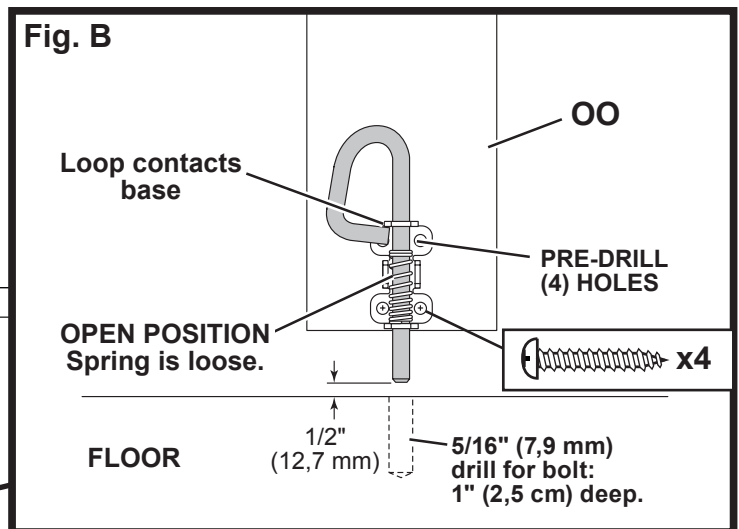
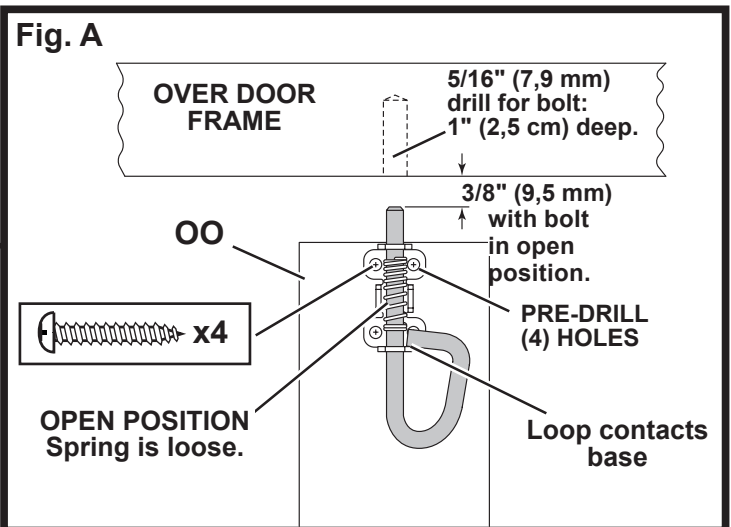
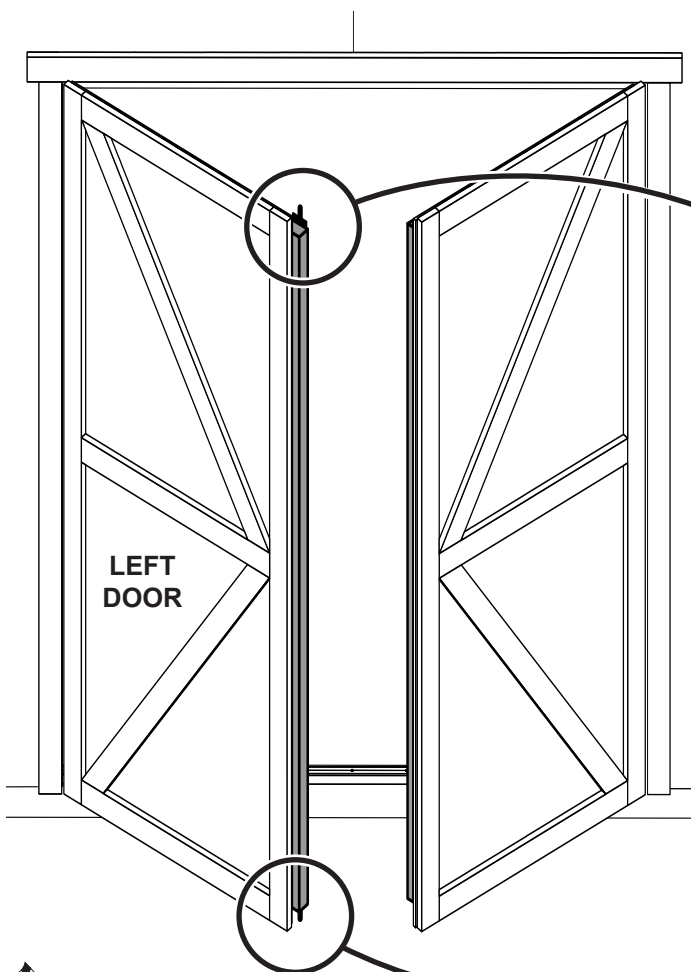
DOOR HARDWARE

PARTS REQUIRED:



✓ BEGIN

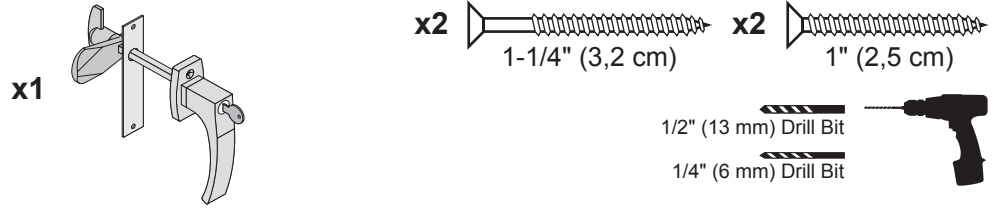
- 1 Place bolt on **OO** in open position with bolt end 3/8" (9,5 mm) down from frame. Bolt is open when loop is contacting base (**Fig A**).
- 2 Mark and pre-drill holes for screws. Install bolt with screws supplied.
Drill 5/16" (7,9 mm) hole deep enough for bolt to slide into.
- 3 Place bolt on **OO** in open position with bolt end 1/2" (12,7 mm) up from floor. Bolt is open when loop is connecting base (**Fig. B**).
- 4 Mark and pre-drill holes for screws. Install bolt with screws supplied.
Drill 5/16" (7,9 mm) hole deep enough for bolt to slide into.



Your spring bolts are now installed.

DOOR HARDWARE

PARTS REQUIRED:



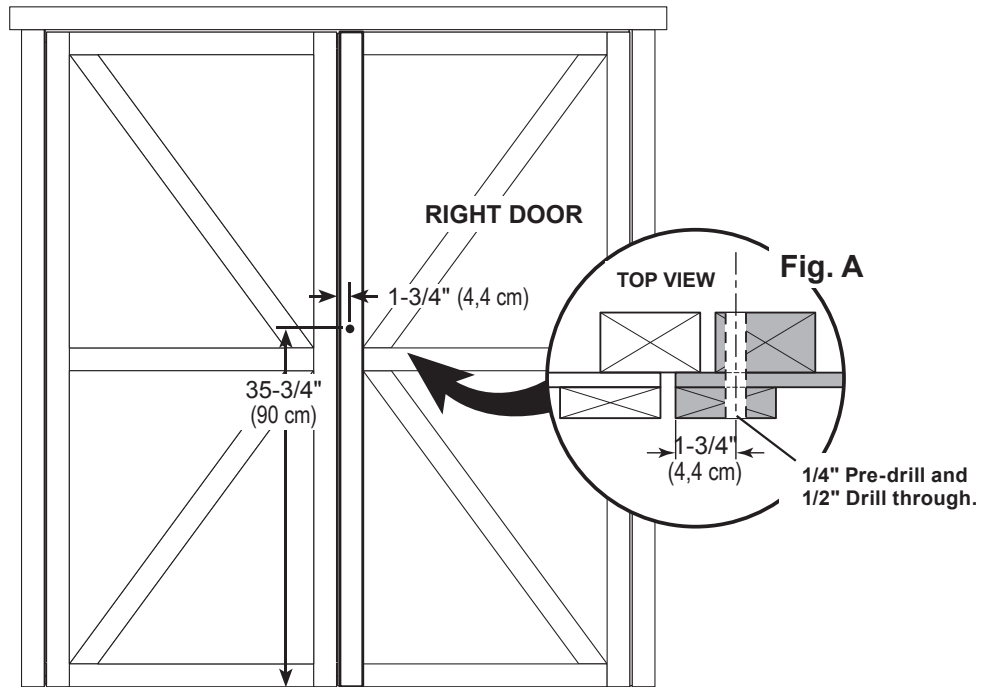
✓ BEGIN

- 1 Measure and mark location of hole on outside of right door as shown (Fig. A). Pre-drill hole with 1/4" drill.

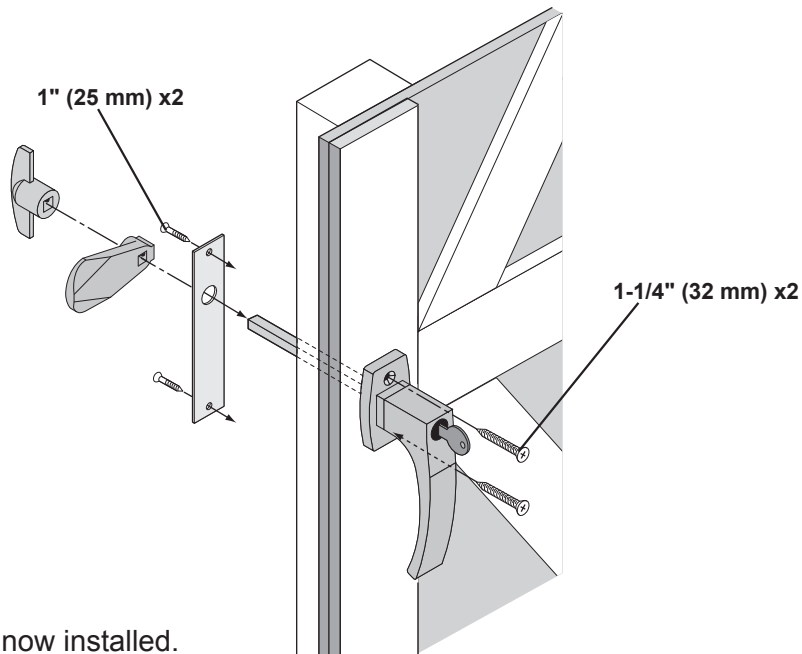
Re-drill hole with 1/2" drill.



Keep drilled hole square to trim to avoid breaking edge of door stiffener.



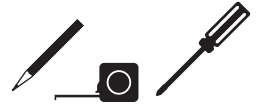
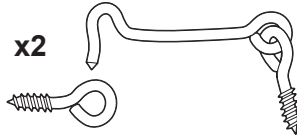
- 2 Secure backplate with 1" screws and handle with 1-1/4" screws as shown.



Your door handle is now installed.

HOOK & EYE

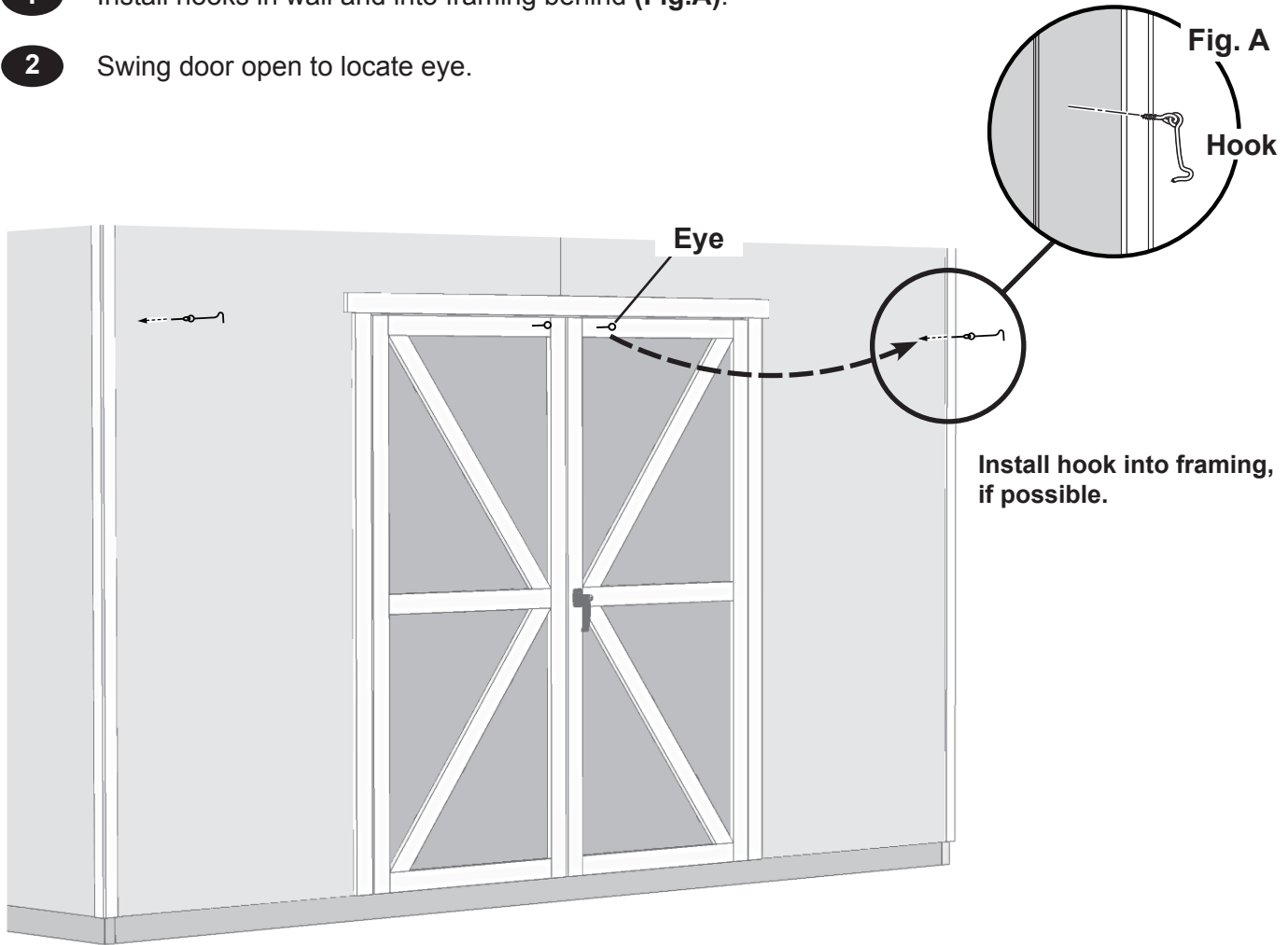
PARTS REQUIRED:



✓ **BEGIN**

1 Install hooks in wall and into framing behind (Fig.A).

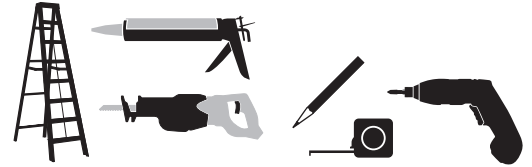
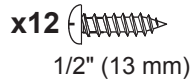
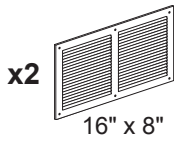
2 Swing door open to locate eye.



You have installed your hook & eyes.

VENT (Not included in kit.)

- Follow directions provided by manufacturer and these instructions.



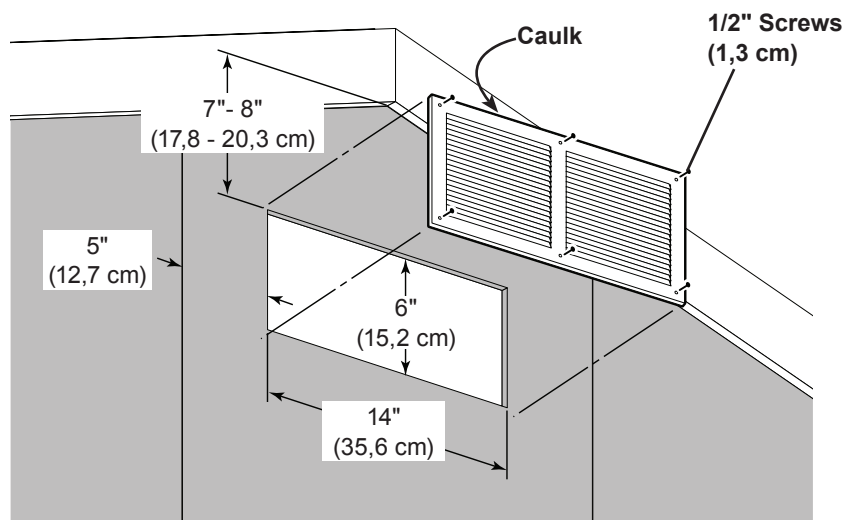
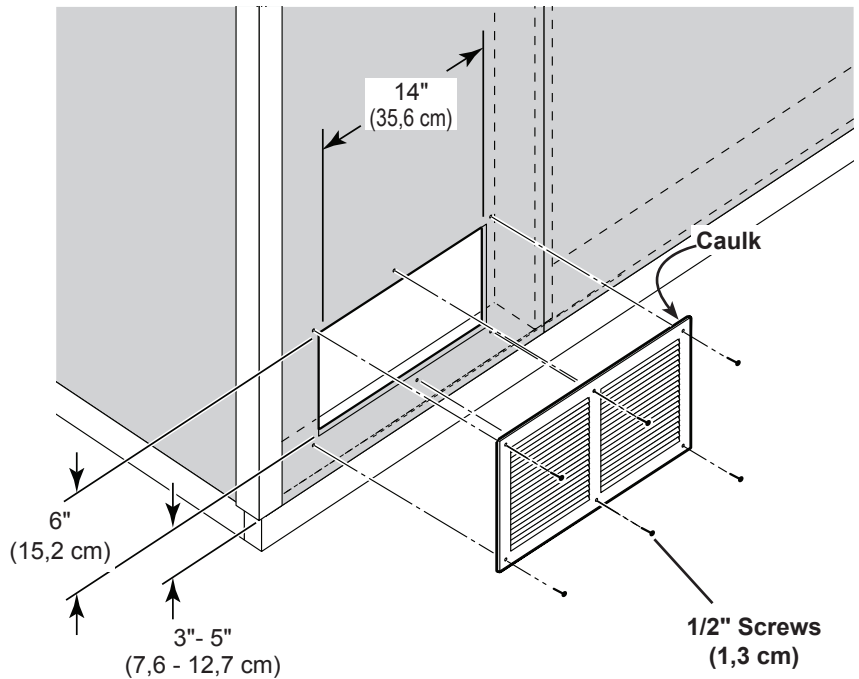
✓ BEGIN

- 1 Locate and mark for two vents in side walls as shown; (1) at top and (1) at bottom.

Cut out marked openings.

Caulk behind vent flanges.

Secure with 1/2" screws.



Your vents are now installed.

PAINT & CAULK

- NOT INCLUDED -



- Use acrylic latex caulk that is paintable. Caulk at all horizontal and vertical seams, between the trim and walls, and all around the door trim.
- Use a high quality exterior acrylic latex paint. When painting your building, there are a few key areas that can be easily overlooked that must be painted:
 - Bottom edge of all siding and trim
 - Inside of doors and all 4 edges

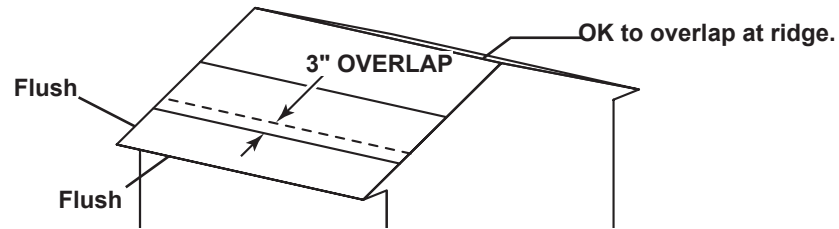
Note:

Prime all un-primed exterior wood before painting.
(Follow directions provided by manufacturer.)

ROOF FELT

- NOT INCLUDED -

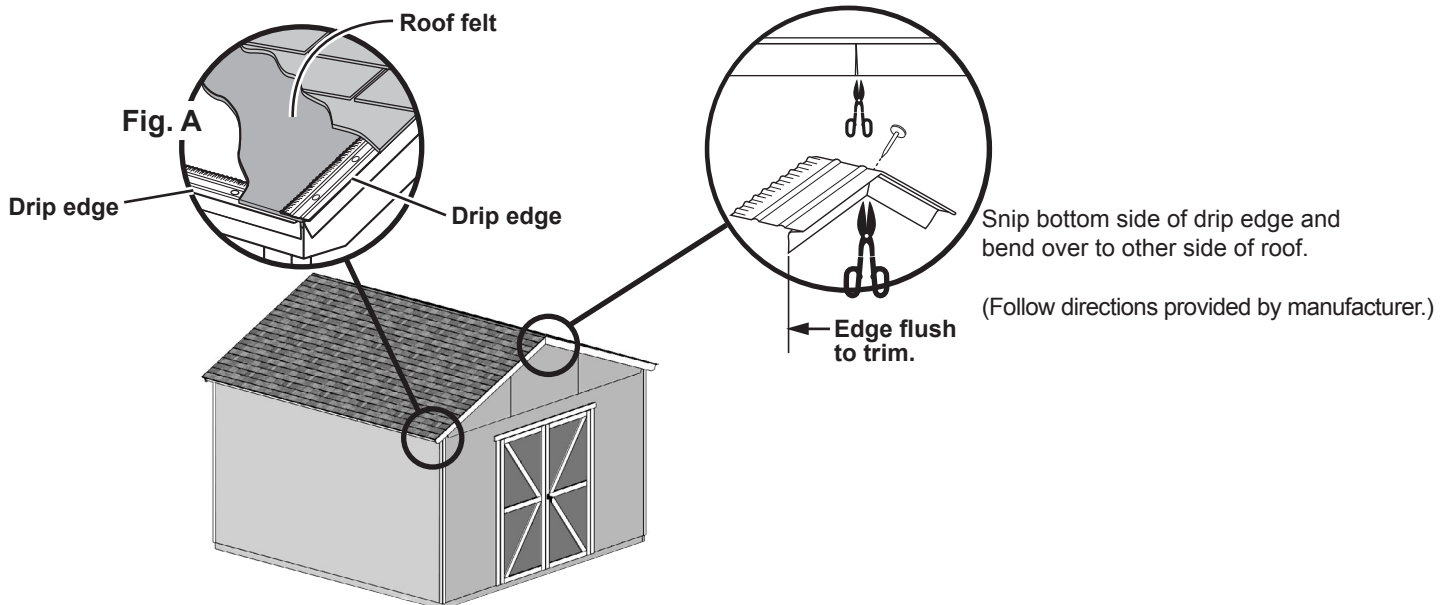
- Install felt flush to all roof edges overlapping 3". Use minimal amount of roofing nails to hold in place.



DRIP EDGE

- NOT INCLUDED -

- Install drip edge over roof felt on gable side and under roof felt on eave side (Fig. A).
- Do not use nails on side of drip edge that hangs over side of building.
- Only nail top of drip edge as shown.

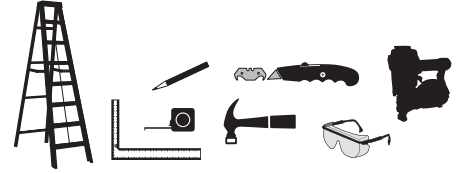


NOTE: 12' x 12' Model Shown.

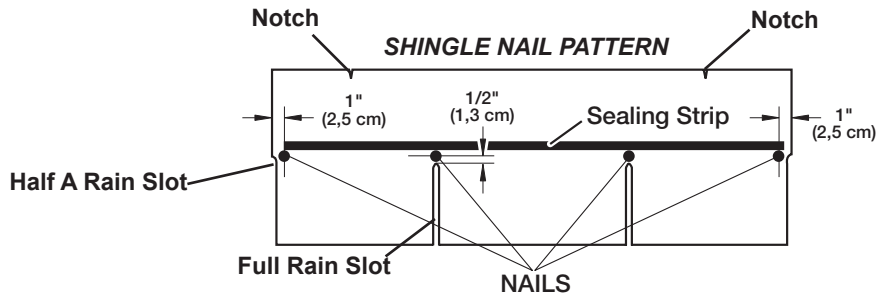
SHINGLES

- NOT INCLUDED -

- Follow directions provided by manufacturer and these instructions.



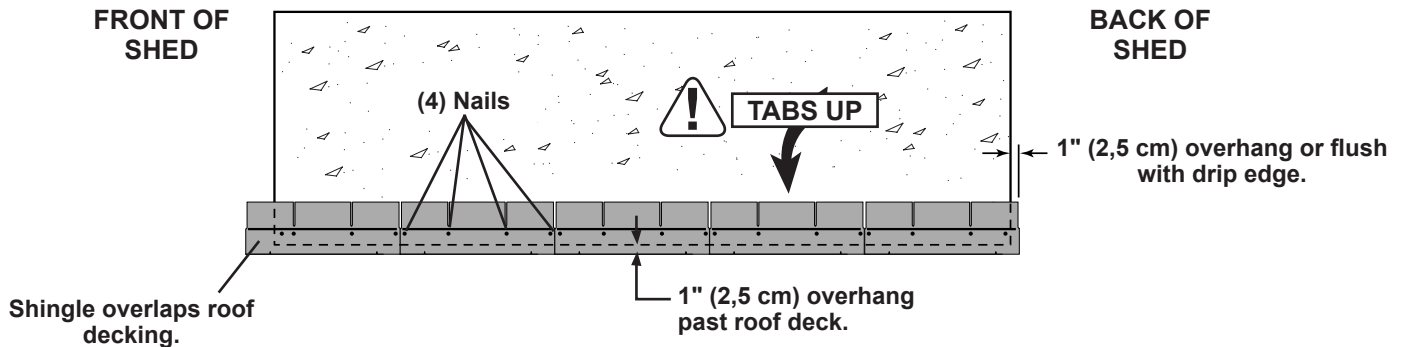
! Familiarize yourself with a 3-Tab Shingle.



! NEVER DRIVE FASTENERS INTO OR ABOVE SEALING STRIPS.

✓ BEGIN

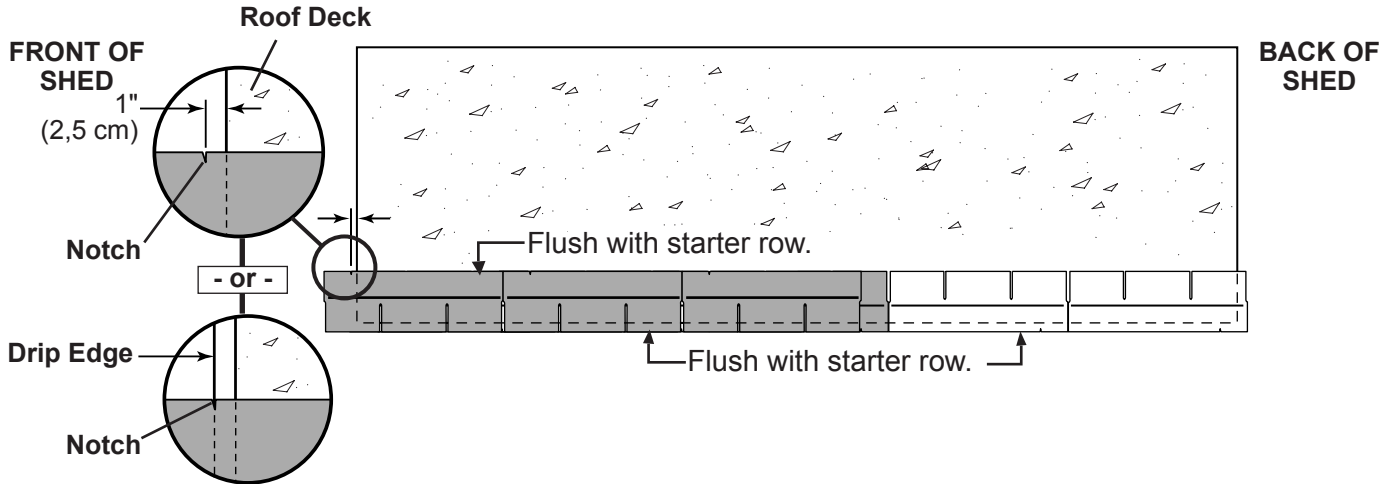
- 1 Install first starter row upside down and color up with a 1" overhang at back and bottom of roof panel. Use (4) nails per shingle. Starter row must be straight and level all the way across with lower edge of roof deck.
NOTE: If you have installed drip edge install shingles flush to drip edge.



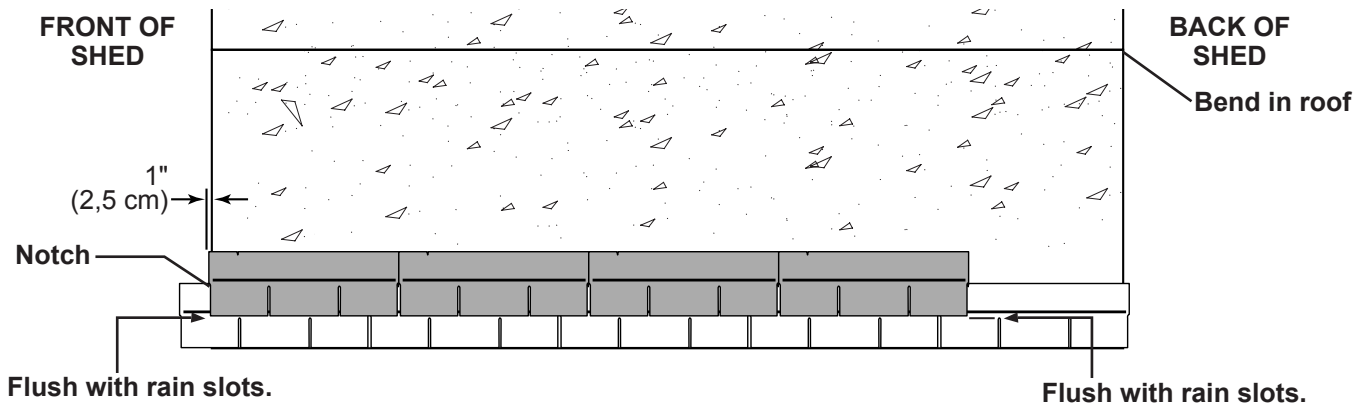
SHINGLES

continued...

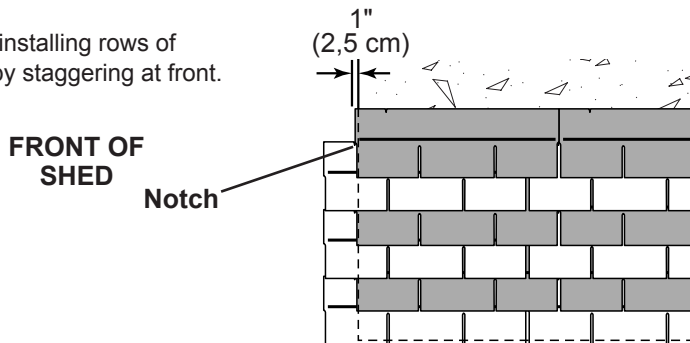
- 2 Beginning at front of shed, install first row of shingles with notch at 1" past roof edge or flush with drip edge.



- 3 Install second row of shingles flush at top of first row's rain slots. Ensure 1" overhang or flush to drip edge at front, stagger each row.



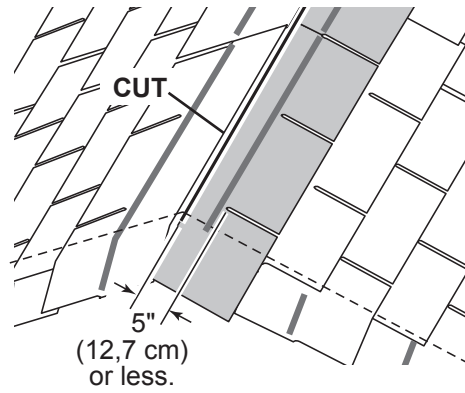
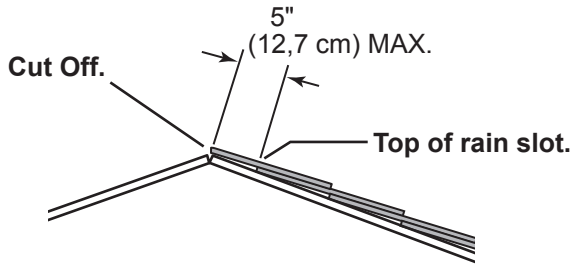
- 4 Continue installing rows of shingles by staggering at front.



SHINGLES

continued...

- 5 Continue installing rows of shingles to the peak. At the peak make sure there is a maximum of 5" or less to the rain slot, as shown below. If shingles overlap at ridge cut to peak with a utility knife.

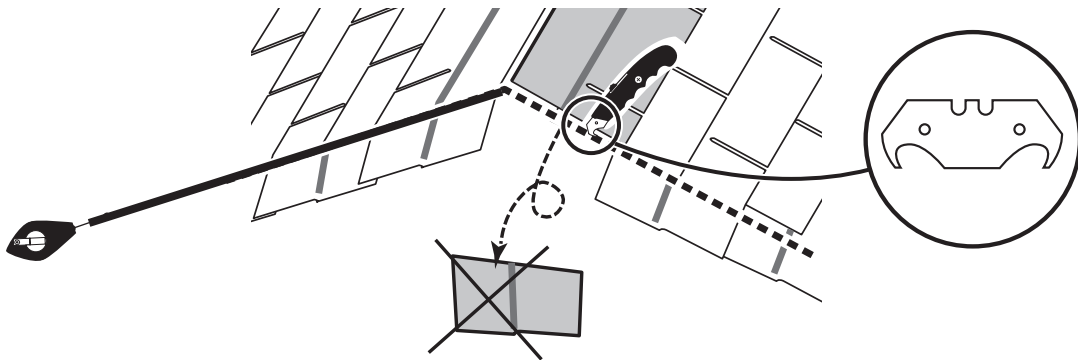


- ! • If more than 5" to rain slot you must install another row of shingles.

- 6 Repeat steps 1 - 7 to shingle the opposite side of your roof. Trim shingles at ridge.

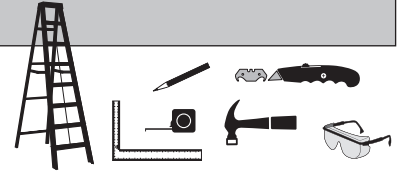
- 7 Once both sides are shingled you need to trim ends. Strike a chalk line 1" from edge.

- 8 Using your shingle hooked blade carefully cut shingles along chalk line.



You have finished shingling your roof. Proceed to capping the ridge.

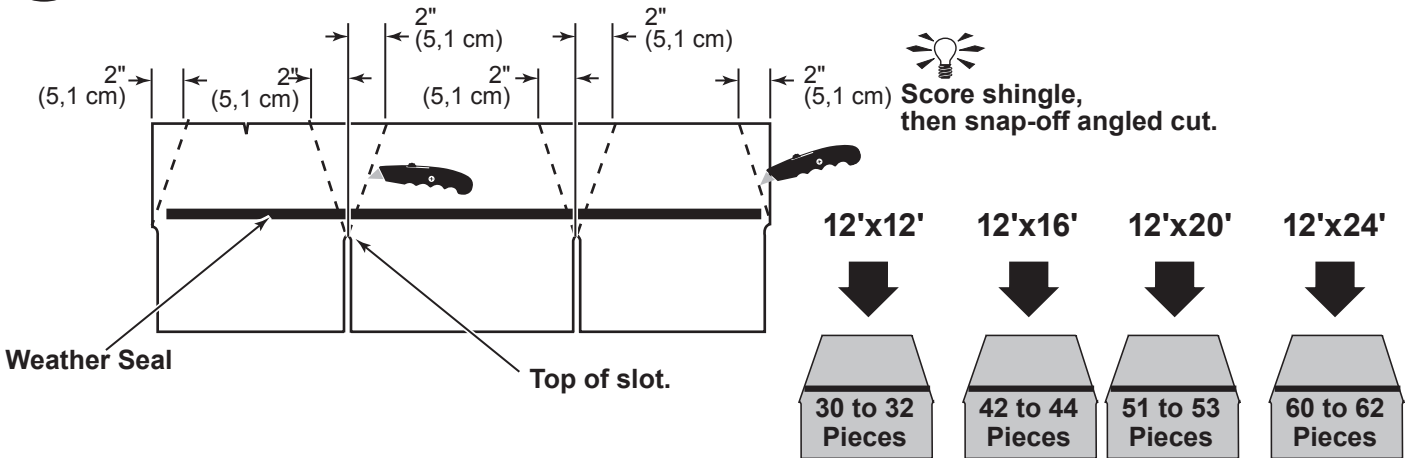
SHINGLES - RIDGE CAP



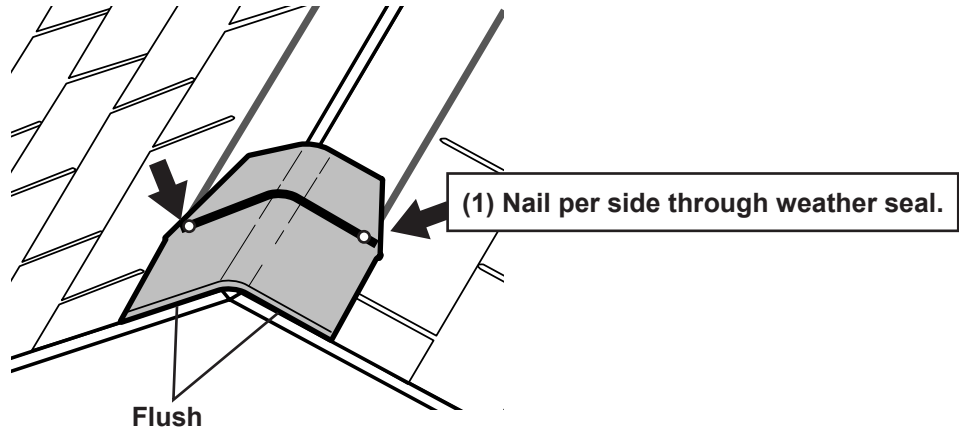
• You will finish off the top of the roof with a ridge cap made from shingles.

✓ BEGIN

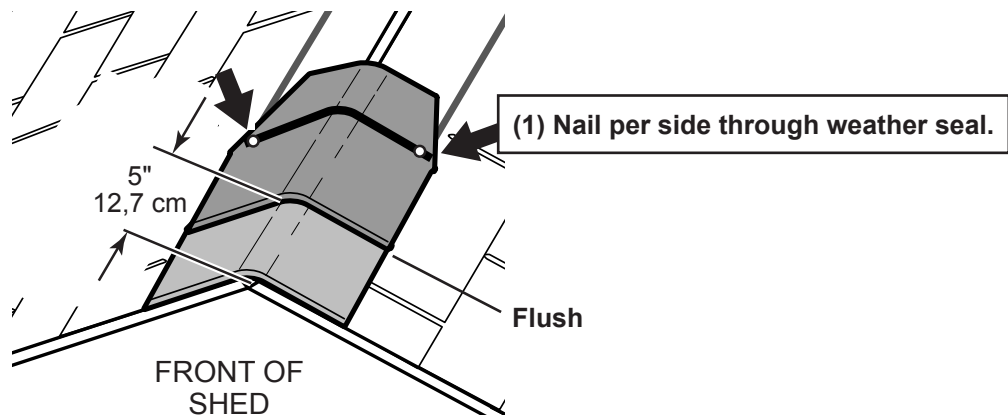
1 Cut shingles in THREE pieces. Hint: Use cut-off pieces first.



2 Install first ridge cap flush to shingles at front, as shown.



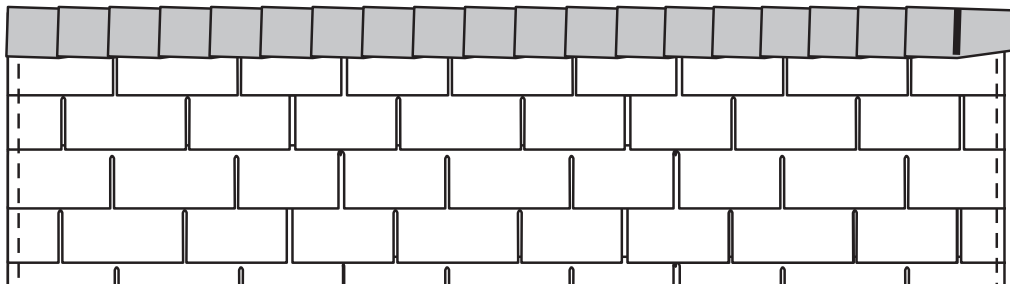
3 Install second ridge cap 5" back, as shown.



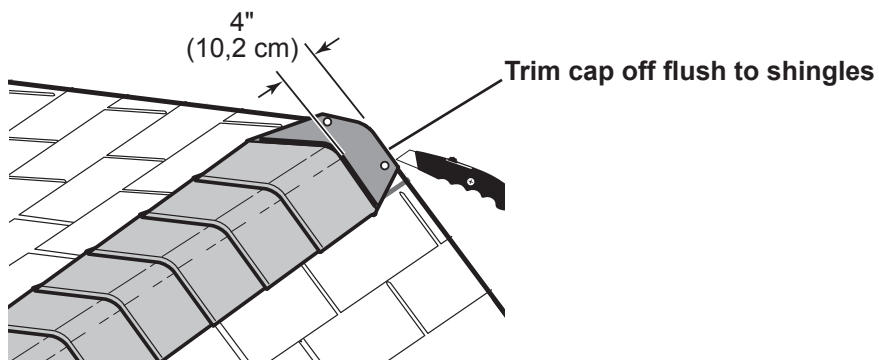
SHINGLES - RIDGE CAP

continued...

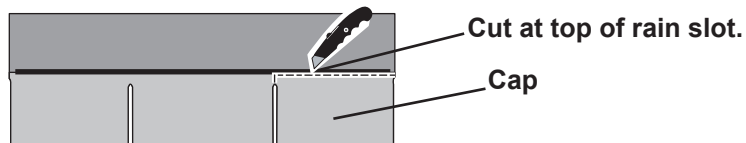
- 4 Continue installing ridge cap to back of roof.



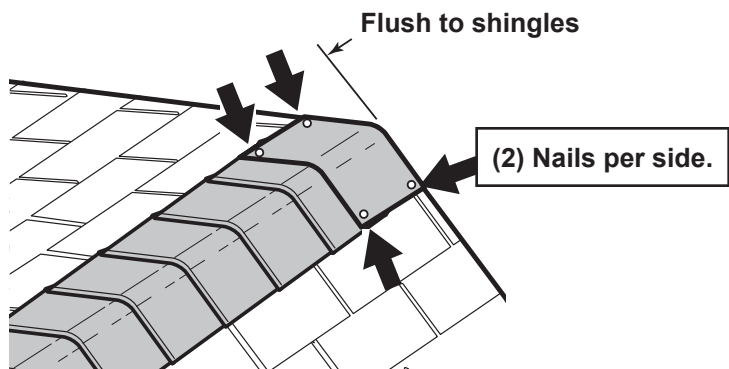
- 5 Make sure there is 4" between the shingle-color and edge of shingles.



- 6 When you have 4" minimum of shingle color cut one piece to cap your roof.



- 7 Install flush to shingles.



FINISH

You have finished your ridge cap.

16490-NG 12' x12' Order Form

CATEGORY	PART DESCRIPTION	PART SIZE	PART ITEM #	BUILDING QTY.	PART ID
2 X 4	Back Wall Top & Btm "A" / Dblr "A" / Collar Tie	LUM SPF 2X4X96 #2&BTR	12306	8	TP
	Side Wall T & B Plate "A" / Dblr "B"	LUM SPF 2X4X92-5/8 #2&BTR	12305	4	TJ
	Side Wall T & B Plate "B"	2 X 4 X 44 3/8" PLATE	O 44060000000	4	HVC
	Doublers "C"	2X4X48" DOUBLER/ PLATE/ CRATE	O 48000000000	6	SP
	Side Wall Top Plate	2 X 4 X 68-1/2"	O 68080000000	4	YFA
	Wall Studs	2 X 4 X 78 1/2"	O 78080000000	23	AI
	Jack Studs	2 X 4 X 68" STUD	O 68000000000	2	UM
	Over Door Crippler	2 X 4 X 7"	O 07000000000	5	AL
	Header	2 X 4 X 67"	O 67000000000	2	AM
	Rafter	2 X 4 X 77-15/16" @ 22.5	O 77152222000	14	ADA
	Front / Rear Gable Connector	2 X 4 X 18 1/8"-22.5" CONNECT	O 18022222000	4	AF
2 X 6	Overhang "A"	LUM WSPF 2X6X96 #1 PREMIUM PET	12416	2	VX
	Overhang "B"	2 X 6 X 49 3/4" OVERHANG	N 49120000000	2	WTC
1 X 3 PINE	Gauge Block	1 X 3 X 5" PINE FILLER	U 05000000000	1	GAA
7/16 OSB	Upper Roof Panel "A"	OSB 7/16" x 4' x 8'	11110	2	---
	Upper Roof Panel "B"	7/16" OSB 47 7/8" X 48" ROOF	C 48004714000	2	---
	Lower Roof Panel "A"	7/16" OSB 36-1/2" X 96" ROOF	C 96036080000	2	---
	Lower Roof Panel "B"	7/16" OSB 36 1/2" X 47-7/8"	C 47143608000	2	---
	Door Header Filler	7/16" OSB 3 1/4" X 66 3/4" HEADER	C 66120304000	1	---
GUSSETS	Gusset	EZ8"/OSB 6" X 24" GUSSET 22.5"	J 24000600225	12	---
NO GROOVE SIDING	Center Gable Panel	3/8" NG 33-1/2" X 48"	K 48003308044	2	---
	Front / Rear Gable Panel - Right	3/8" NG 23 9/16" X 48" RIGHT FRONT GABLE	K 48002309100	2	---
	Front / Rear Gable Panel - Left	3/8" NG 23 9/16" X 48" LEFT FRONT GABLE	K 48002309200	2	---
	Corner Trim	3/8" NG 1 3/4" X 83-1/2"	K 83080112000	8	---
	Rearwall Panel "A" / Side Panel	SIDING NGSE 3/8X4'X7"	11507	9	---
	Rear Panel "B"	NG 23 7/8" X 84" WALL PANEL	K 84002314000	2	---
	Frontwall Panel Right	NG 48" x 84" RIGHT FRONTWALL	K 84004800101	1	---
	Frontwall Panel Left	NG 48" x 84" LEFT FRONTWALL	K 84004800201	1	---
19/32 X 3 SMART TRIM	Vertical / Over Door Trim	19/32 TST 2 1/2" X 72" TRIM	UT72000208000	1	ZJ
	Long Cross Buck - Right	19/32 TST 2 1/2" X 39-7/8" 36.5" L/S RGT X-BUCK	UT39143737100	2	MDR
	Long Cross Buck - Left	19/32 TST 2 1/2" X 39-7/8" 36.5" L/S LFT X-BUCK	UT39143737200	2	MDL
	Horizontal Door Rail	19/32 TST 2 1/2" X 26 5/8"	UT26100208000	2	AH
19/32 X 4 SMART TRIM	Gable Trim Right	19/32 TST 3 1/2" X 84 15/16" 22.5" O/E RGT TRIM	UT84150308221	2	CQR
	Gable Trim Left	19/32 TST 3 1/2" X 84 15/16" 22.5" O/E LFT TRIM	UT84150308222	2	CQL
PURCHASED COMPONENTS	Door Stiffener	LSL 1-1/4 X 2-1/4 X 69 PET	12715	2	OO
	Chrome Single Point Locking Handle	DOOR HANDLE LOCKING SINGLE PT.	15210	1	---
	Hardware Kit	H/K HHP SERIES GABLES	15773	1	---
PACKAGING	Instructions		16490-NG	1	---
Right Door Assembly	30222-RNG				
	Door Panel	NG 31 1/4" X 71 3/8" DOOR	K 7106310400C	1	---
	Right Hinge Assembly	HINGE RIGHT (RED) 19/32x3 THIN TRIM	30121-TT	1	---
	Vertical Door Stiles	19/32 TST 2 1/2" X 71 5/8"	UT71100208000	2	GY
	Horizontal Door Rails	19/32 TST 2 1/2" X 26 5/8"	UT26100208000	2	AH
Left Door Assembly	30222-LNG				
	Door Panel	NG 31 1/4" X 71 3/8" DOOR	K 7106310400C	1	---
	Left Hinge Assembly	HINGE LEFT (GREEN) 19/32x3 THIN TRIM	30131-TT	1	---
	Vertical Door Stiles	19/32 TST 2 1/2" X 71 5/8"	UT71100208000	2	GY
	Horizontal Door Rails	19/32 TST 2 1/2" X 26 5/8"	UT26100208000	2	AH

LIMITED CONDITIONAL WARRANTY*

Backyard Storage Solutions, LLC warrants the following:

1. Every product is warranted from defects in workmanship and manufacturing for 1 year.
2. All accessories, hardware and metal components are warranted for 2 years.
3. All Oriented Strand Board (OSB) is warranted for 2 years
4. Siding and Trim is warranted for 10 years.
5. Solar Shed windows are warranted for 1 year.
6. Cedar lumber is warranted for 15 years.
7. Preserved Pine is warranted for 10 years.
8. Redwood is warranted for 10 years.

Backyard Storage Solutions, LLC will repair, replace or pay for the affected part. In no event shall Backyard Storage Solutions, LLC pay the cost of labor or installation or any other costs related thereto. All warranties are from date of purchase. If a cash refund is paid on an affected part, it will be prorated from the date of purchase.

CONDITIONS

The warranty is effective only when:

1. The unit has been erected in accordance with the assembly instructions.
2. The unit has been properly shingled and painted or stained and reasonably and regularly maintained thereafter.
3. The failure occurs when the unit is owned by the original purchaser.
4. Backyard Storage Solutions, LLC has received the warranty registration card within thirty (30) days of purchase and notification of the failure in writing within the warranty period specified above.
5. Backyard Storage Solutions, LLC has had reasonable opportunity during the sixty (60) days following receipt of notification to inspect and verify the failure prior to commencement of any repair work.

REQUIREMENTS

Storage Buildings

To validate your warranty, it is necessary to properly maintain your Backyard Storage Solutions, LLC unit; shingle the roof and paint or solid-colored stain the siding using quality, 100% acrylic latex exterior product with a minimum of two (2) coats within thirty (30) days of assembly; caulk above all doors and all horizontal and vertical trim boards; paint and seal all exposed edges, sides and faces of siding/trim and OSB siding to include all exterior walls and all sides and all edges of doors.

Gazebos & Pergolas

To validate your warranty, it is necessary to properly maintain your Backyard Storage Solutions, LLC unit. This includes treating all of the exposed cedar and pine surfaces on your gazebo or pergola structure with an exterior grade wood preservative, an exterior oil-based semi-transparent stain, an acrylic latex exterior paint or an acrylic latex solid color exterior stain within 30 days of assembly and as needed thereafter to maintain your warranty.

Keep vegetation trimmed away from building and make sure siding panels and trim do not come in contact with masonry or cement. The minimum ground clearance for siding must be one half inch (½ inch) from concrete slab or two and one half inches (2 ½”) from the ground when building is erected or constructed on a treated wood floor kit. Water from sprinklers must be kept off unit. In no event will Backyard Storage Solutions, LLC be responsible for any indirect, incidental, consequential or special damages nor for failure(s) that are caused by events, acts or omissions beyond our control including, but not limited to, misuse or improper assembly, improper maintenance (which eventually leads to rot or decay) and acts of God. Backyard Storage Solutions, LLC will not be held responsible for any labor costs incurred to construct your unit.

This warranty gives you certain specific rights that vary from state to state.

CLAIM PROCEDURE

To make a claim under this warranty, you can either call 1-888-827-9056 or email: customerservice@backyardproducts.com.

Please have ready the information below when you call or include the information in your email:

1. The model and size of the product.
2. A list of the part(s) for which the claim is made.
3. Proof of purchase of the Backyard Storage Solutions, LLC item, as shown on the original invoice or receipt.
4. Run code: found on exterior product label or assembly instructions enclosed in the product package.

All other inquiries can be mailed to:

Backyard Storage Solutions, LLC
Attn: Customer Service
1000 Ternes
Monroe, MI 48162

***WARRANTY TERMS MAY VARY OUTSIDE THE U.S.A.
IMPORTANT: This is your warranty certificate.**

10Y MV LDR: 3/20/2019