

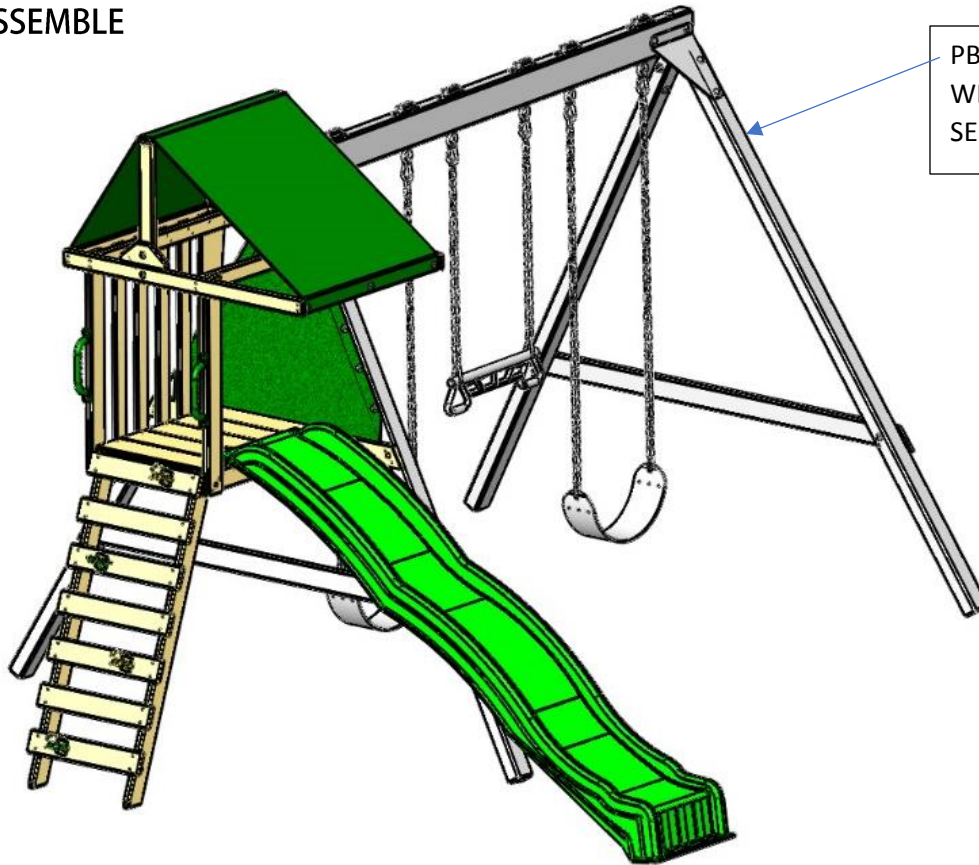


WE PUT *Kids* FIRST!

READY TO ASSEMBLE

# Model: PB 8370

PB 8370 INCLUDED WITH PB 8375 model.



PB 8360 SWING BAY WITH SWINGS SOLD SEPARATELY.



**WARNING: Assembly by adult.**



**Safety  
Sûreté  
Seguridad**

This ADD-ON is only to be used with  
PB 8360 Swing Bay

**FOR PRIVATE BACKYARD USE ONLY  
DO NOT USE IN PUBLIC SETTINGS!**

## IMPORTANT!!

### PLEASE READ BEFORE BEGINNING ASSEMBLY!!

Please make sure all lumber, hardware and accessory parts are accounted for. If you are missing anything, please **DO NOT RETURN** to the store where purchased. Please call our Customer Service Department at the number below.

## ASSEMBLY INSTRUCTIONS

Swing-N-Slide • 166 Etowah Industrial Ct. • Canton, GA 30114  
Visit our website at: [playsupport@backyardproducts.com](mailto:playsupport@backyardproducts.com) or call us at 1-800-882-0272



## Safety Checklist for Swing-N-Slide Play Sets and Accessories

### Observing the following statements and warnings reduces the likelihood of serious or fatal injury

- This playset has been designed for use by a maximum of five occupants at one time having a combined weight of 575 pounds, 115 pounds maximum on the deck, slide and on the 3 swing positions.
- This playset is intended for use by children from (2) to (10) years of age.
- On-site adult supervision for children of all ages is recommended.
- Instruct children not to walk close to, in front of, behind, or between moving items.
- Instruct children not to twist swing chains or ropes or loop them over the top support bar since this may reduce the strength of the chain or rope.
- Instruct children to avoid swinging empty seats.
- Teach children to sit in the center of the swings with their full weight on the seats.
- Instruct children not to use the equipment in a manner other than intended.
- Instruct children not to get off equipment while it is in motion.
- Do not allow children to wear inappropriate items, such as but not limited to, loose fitting clothing, hood and neck drawstrings, scarves, cord-connected items, capes and ponchos. These items can cause death by strangulation.
- Instruct children not to climb when the equipment is wet. Slippery surfaces may cause a hazard.
- Verify that suspended climbing ropes, chain or cable are secured at both ends. Never add extra length to chain or rope. The chains or ropes provided are the maximum length designed for the swinging element(s).
- Verify that suspended climbing ropes, chain, or cable cannot be looped back on itself.
- Instruct children not to attach items to the playground equipment that are not specifically designed for use with the equipment, such as, but not limited to, jump ropes, clothesline, pet leashes, cables and chain as they may cause a strangulation hazard.
- Instruct children to remove their bike or other sports helmet before playing on the playground equipment.
- Dress children with well-fitting and full foot enclosing footwear. Examples of inappropriate footwear are clogs, flip flops, and sandals.
- Instruct children to not walk or run up slides.
- Instruct children to not pick up slides or ramps as this may cause damage or breakage.
- Place the equipment on level ground not less than six (6) feet from any obstructions. Be sure to look overhead for any obstructions above the playset.
- Do not use the equipment until fully erected per this playset instruction manual, bolts tightened and the playset is anchored to the ground.

### **IMPORTANT!**

**This product is intended for single family home/residential use only and not intended for use in any public setting. Placement in any public setting constitutes a misuse of this product.**

# PLAYSET MAINTENANCE

Cosmetic defects that do not affect the structural integrity of the product, or natural defects of wood such as warping, splitting, checking, twisting, shrinkage, swelling or any other physical properties of wood that do not present a safety hazard, are not covered by our warranty.

To help minimize these natural defects we recommend applying a sealer or stain every two or three years, or more often as the climate dictates. Power washing, sanding or other preparatory methods should be used prior to sealing or staining.

Periodic maintenance is required to ensure safe enjoyment of your playset and accessories. Read and follow the Playset Checklist below to reduce the likelihood of serious or fatal injury. Use the checklists as a guide for proper playset care and maintenance.

## PLAYSET CHECKLIST

### At the beginning of each play season:

- Tighten all hardware.
- Lubricate all metallic moving parts per manufacturer's instructions.
- Check all protective coverings on bolts, pipes, edges, and corners. Replace if they are loose, cracked, or missing.
- Check all moving parts including swing seats, ropes, cables, and chains for wear, rust, or other deterioration. Replace as needed.
- Check metal parts for rust. If found, sand and repaint using a nonleaded-based paint meeting the requirements of 16 CFR 1303.
- Check all wood members for deterioration and splinters. Sand down splinters and replace deteriorating wood members.
- Reinstall any plastic parts, such as swing seats or any other items that were removed for the cold season.
- Rake and check depth of loose fill protective surfacing materials to prevent compaction and to maintain appropriate depth. Replace as necessary.

### Twice a month during play season:

- Tighten all hardware.
- Check all protective coverings on bolts, pipes, edges, and corners. Replace if they are loose, cracked, or missing.
- Rake and check depth of loose fill protective surfacing materials to prevent compaction and to maintain appropriate depth. Replace as necessary.

### Once a month during play season:

- Lubricate all metallic moving parts per manufacturer's instructions.
- Check all moving parts including swing seats, ropes, cables, and chains for wear, rust, or other deterioration. Replace as needed.

### At the end of each play season or when the temperature drops below 10°F:

- Remove plastic swing seats, tents, sandbox cover, tire swing, slide and other items as specified by the manufacturer and take indoors or do not use.
- Rake and check depth of loose fill protective surfacing materials to prevent compaction and to maintain appropriate depth. Replace as necessary.
- Owner shall be responsible for maintaining the legibility of warning labels.

**When you are ready to dispose of your playset, make sure that all metal, plastic and wood components are disposed of in accordance with local waste ordinances.**

**Buyer and/or owner should disassemble and dispose of the playground equipment in such a way that no unreasonable hazards will exist at the time the swing set is discarded. Do not burn your playset's preserved wood.**

**For further information on playground safety, the Consumer Product Safety Commission (CPSC) publishes the Outdoor Home Playground Safety Handbook which can be downloaded for free from [www.cpsc.gov](http://www.cpsc.gov). An additional resource is the American Society of Testing and Materials (ASTM) Standard Consumer Safety Performance Specification for Home Playground Equipment (ASTM F1148) which can be purchased and downloaded from [www.astm.org](http://www.astm.org).**

# PLAYGROUND SURFACING MATERIALS

## SECTION 4 OF THE CONSUMER PRODUCT SAFETY COMMISSION'S OUTDOOR HOME PLAYGROUND SAFETY HANDBOOK<sup>9</sup>

### Select Protective Surfacing

One of the most important things you can do to reduce the likelihood of serious head injuries is to install shock-absorbing protective surfacing under and around your play equipment. The protective surfacing should be applied to a depth that is suitable for the equipment height in accordance with ASTM Specification F 1292. There are different types of surfacing to choose from; whichever product you select, follow these guidelines:

**NOTE:** Do not install home playground equipment over concrete, asphalt, or any other hard surface. A fall onto a hard surface can result in serious injury to the equipment user. Grass and dirt are not considered protective surfacing because wear and environmental factors can reduce their shock absorbing effectiveness. Carpeting and thin mats are generally not adequate protective surfacing. Ground level equipment - such as a sandbox, activity wall, playhouse or other equipment that has no elevated play surface - does not need any protective surfacing.

**Maximum fall height for this playset is 75".**

#### Loose-Fill Materials:

- Maintain a minimum depth of 9 inches of loose-fill materials such as wood mulch/chips, engineered wood fiber (EWF), or shredded/recycled rubber mulch for equipment up to 8 feet high; and 9 inches of sand or pea gravel for equipment up to 5 feet high. NOTE: An initial fill level of 12 inches will compress to about a 9-inch depth of surfacing over time. The surfacing will also compact, displace, and settle, and should be periodically refilled to maintain at least a 9-inch depth.
- Use a minimum of 6 inches of protective surfacing for play equipment less than 4 feet in height. If maintained properly, this should be adequate. (At depths less than 6 inches, the protective material is too easily displaced or compacted.)
- Use containment, such as digging out around the perimeter and/or lining the perimeter with landscape edging. Don't forget to account for water drainage.
- Check and maintain the depth of the loose-fill surfacing material. To maintain the right amount of loose-fill materials, mark the correct level on play equipment support posts. That way you can easily see when to replenish and/or redistribute the surfacing.
- Do not** install loose fill surfacing over hard surfaces such as concrete or asphalt.

#### Poured-In-Place Surfaces or Pre-Manufactured Rubber Tiles:

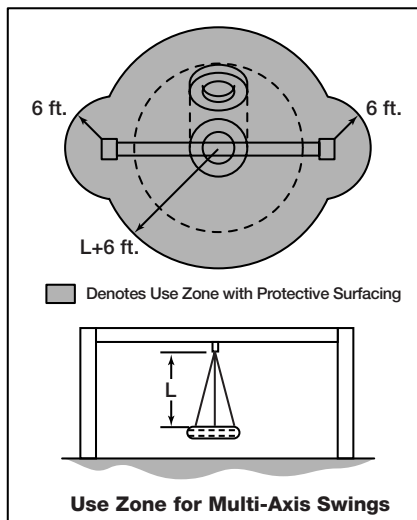
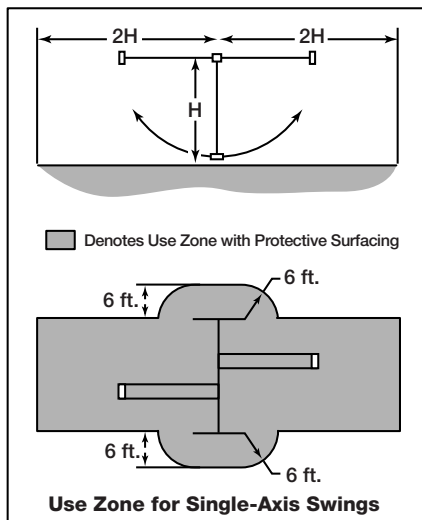
You may be interested in using surfacing other than loose-fill materials - like rubber tiles or poured-in-place surfaces.

- Installations of these surfaces generally require a professional and are not "do-it-yourself" projects.
- Review surface specifications before purchasing this type of surfacing. Ask the installer/manufacturer for a report showing that the product has been tested to the following safety standard: ASTM F 1292 Standard Specification for Impact Attenuation of Surfacing Materials within the Use Zone of Playground Equipment. This report should show the specific height for which the surface is intended to protect against serious head injury. This height should be equal to or greater than the fall height - vertical distance between a designated play surface (elevated surface for standing, sitting, or climbing) and the protective surfacing below - of your play equipment.
- Check the protective surfacing frequently for wear.

#### Placement

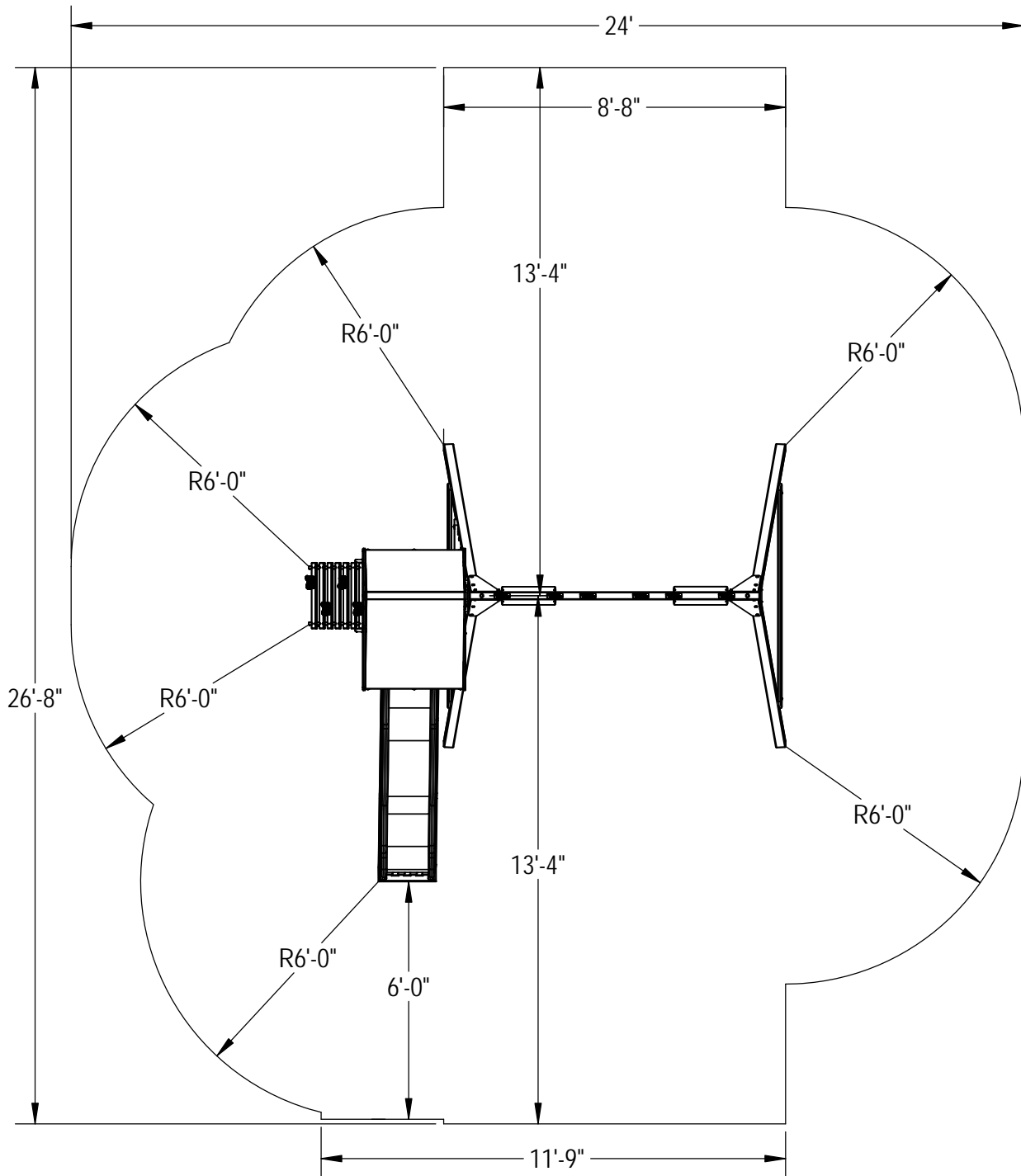
Proper placement and maintenance of protective surfacing is essential. Be sure to

- Extend surfacing at least 6 feet from the equipment in all directions.
- For to-and-fro swings, extend protective surfacing in front of and behind the swing to a distance equal to twice the height of the top bar from which the swing is suspended.
- For tire swings, extend surfacing in a circle whose radius is equal to the height of the suspending chain or rope, plus 6 feet in all directions.



<sup>9</sup> This information has been extracted from the CPSC publications "Playground Surfacing-Technical Information Guide" and "Handbook for Public Playground Safety." Copies of these reports can be obtained by sending a postcard to the: Office of Public Affairs, U.S. Consumer Product Safety Commission, Washington, D.C., 20207 or call the toll-free hotline: 1-800-638-2772

# SAFETY ZONE & WEIGHT SPECIFICATIONS



MINIMUM USE ZONE FOR PLAY EQUIPMENT SHALL EXTEND NO LESS THAT 6'-0" FROM ALL SIDES OF THE PLAY STRUCTURE. THE SWING USE ZONE EXTENDS NO LESS THAN 13'-4". SWINGS MUST HAVE A MINIMUM CLEARANCE OF 8" ABOVE THE PROTECTIVE SURFACE.

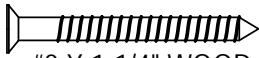


**MAXIMUM OF 115LBS. ON EACH SWING AND TRAPEZE**  
**MAXIMUM OF 2 CHILDREN IN/ON DECK/SLIDE WEIGHING 115LBS. EACH.**

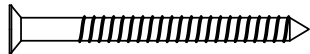
# TOOLS REQUIRED



# INCLUDED HARDWARE



#8 X 1-1/4" WOOD SCREW ( x 14)



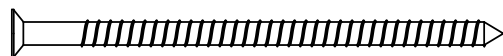
#8 X 1-1/2" WOOD SCREW ( x 26)



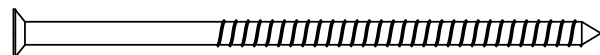
#8 X 1-3/4" WOOD SCREW ( x 70)



#8 X 2" WOOD SCREW ( x 16)



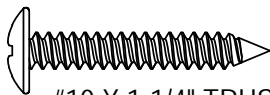
#8 X 2-1/2" WOOD SCREW ( x 14)



#8 X 3" WOOD SCREW ( x 10)



#8 X 3/4" PAN HEAD SCREW ( x 22)



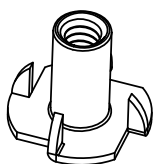
#10 X 1-1/4" TRUSS HEAD SCREW ( x 4)



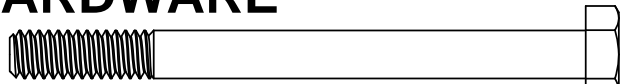
#14 X 1" PAN HEAD SCREW ( x 2)



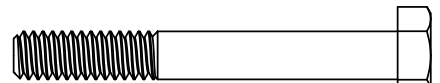
#14 X 2-1/2" PAN HEAD SCREW ( x 2)



1/4" T-NUT ( x 15)



1/4" X 3" HEX BOLT ( X2)



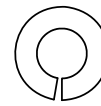
1/4" X 2" HEX BOLT ( X2)



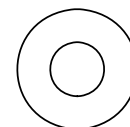
1/4" X 1-1/4" HEX BOLT ( X5)



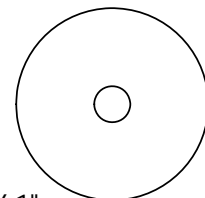
1/4" X 1" HEX BOLT ( X5)



1/4" LOCK WASHER ( x 20)



1/4" FLAT WASHER ( x 28)



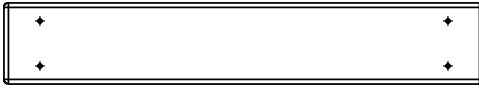
3/16" X 1"  
FENDER WASHER ( x 22)

(NOT SHOWN)  
SQUARE DRIVE BIT (X1)

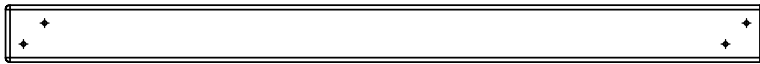
# COMPONENTS



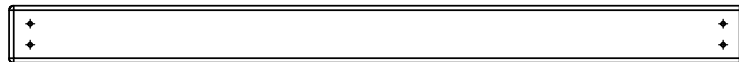
PF 6461 5/8 X 5-3/8 X 20 DECK BOARD (x5)



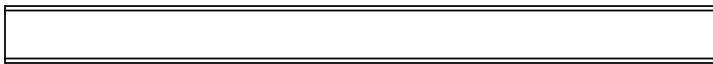
PF 6462 5/8 X 3-3/8 X 20 ROCK WALL BOARD (x3)



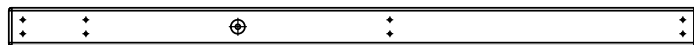
PF 6463 5/8 X 2-3/8 X 31-5/8 BALUSTER (x4)



PF 6464 3/4 X 2-3/8 X 30-5/8 CANOPY TOP RAIL (x1)



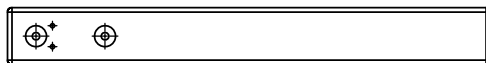
PF 6465 3/4 X 2-3/8 X 29-3/4 CANOPY END RAIL (x2)



PF 6466 3/4 X 2-3/8 X 43 CANOPY SIDE RAIL - FRONT (x1)



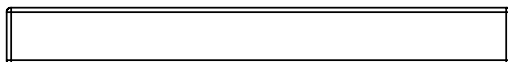
PF 6467 5/8 X 5-3/8 X 31-5/8 TAPERED BALUSTER (x1)



PF 6468 3/4 X 2-3/8 X 20-1/8 CANOPY UP RAIL (x2)



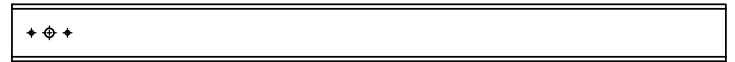
PF 6469 1 X 2-3/8 X 12-1/8 FILLER (x1)



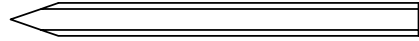
PF 6470 1 X 2-3/8 X 21 SLIDE BLOCK (x1)



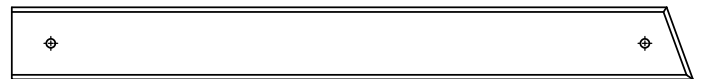
PF 6471 1 X 3 X 31-5/8 RAIL UPRIGHT (x2)



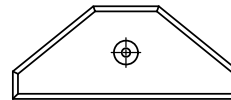
PF 6476 1 X 2-3/8 X 29-3/4 HORIZONTAL RAIL (x1)



PF 6473 1-3/8 X 2-3/8 X 17-1/4 GROUND STAKE (x1)



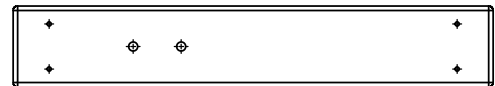
PF 6472 1 X 3 X 28-3/8 DECK SUPPORT (x2)



PF 6480 3/4 X 3-3/8 X 8-1/4 GABLE DECORATION (x2)



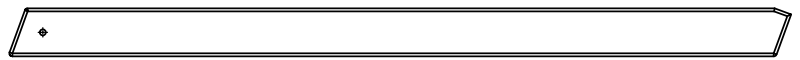
PF 6475 3/4 X 2-3/8 X 43 CANOPY SIDE RAIL - BACK (x1)



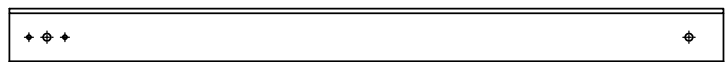
PF 6478 5/8 X 3-3/8 X 20  
ROCKWALL BOARD WITH HOLES (x4)



PF 6474 1 X 3 X 46-1/4 DECK SUPPORT @ SWING (x1)

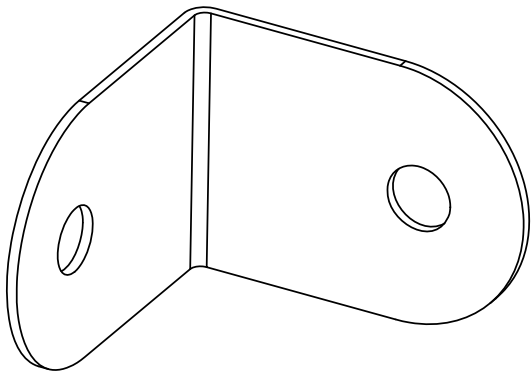


PF 6477 1 X 3 X 48-15/16" ROCK WALL LEG (x2)

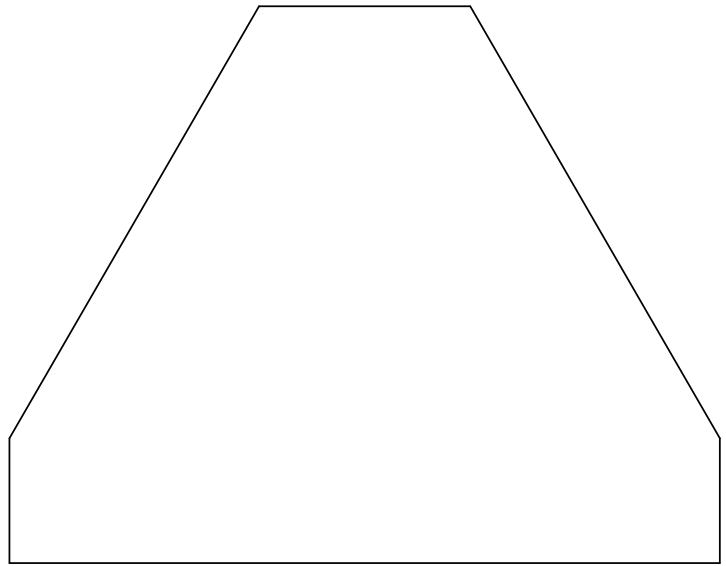


PF 6479 1 X 2-3/8 X 29-3/4 HORIZONTAL RAIL WITH HOLE (x1)

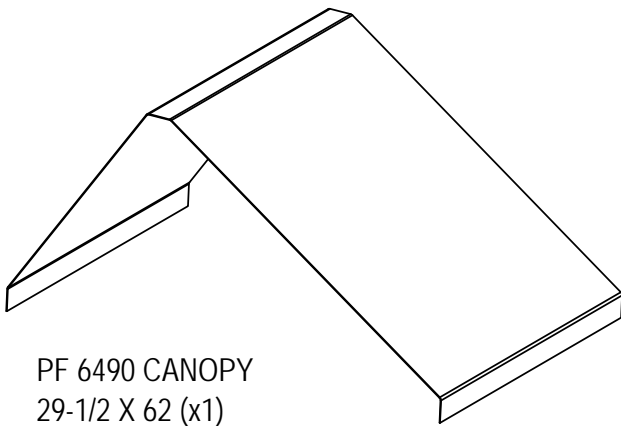
# COMPONENTS



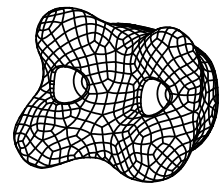
2412 2" x 2" "L" BRACKET (x3)



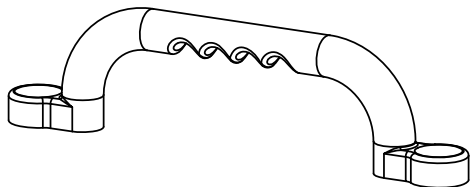
PF 6491 BARRIER PANEL 29 X 37 (x1)



PF 6490 CANOPY  
29-1/2 X 62 (x1)



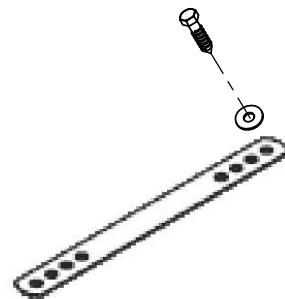
CLIMBING ROCK  
WITH HARDWARE (x4)



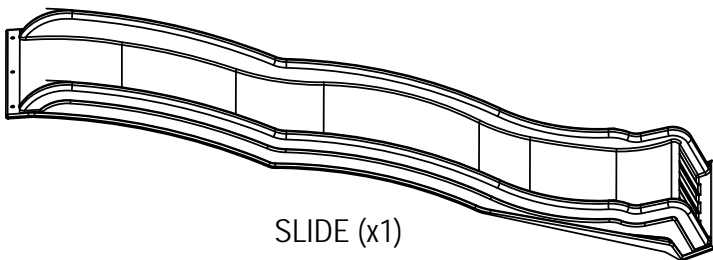
SAFETY HANDLE  
& HARDWARE (x2)



ANCHOR-IT  
(x2)



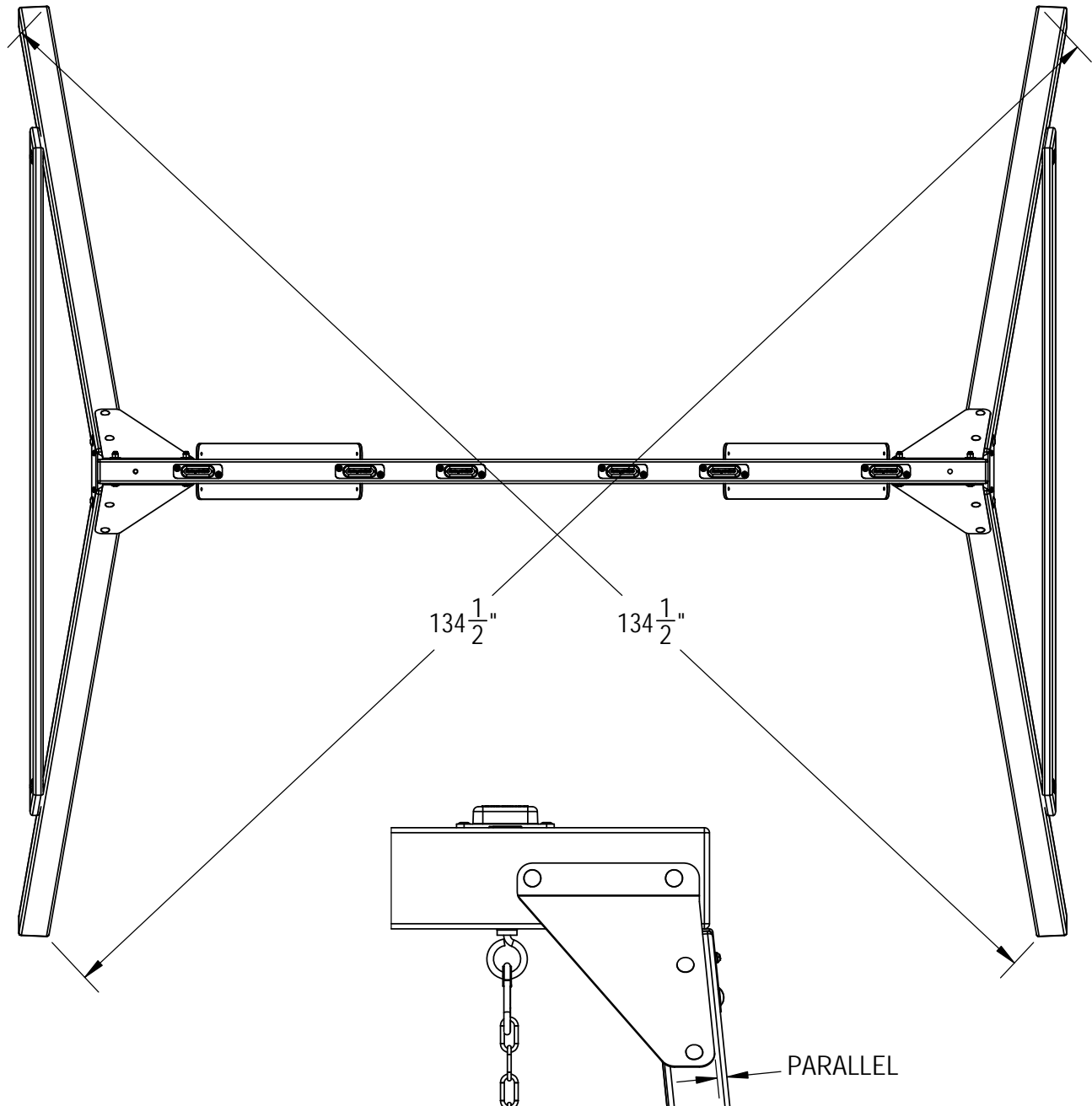
ANCHOR-IT STRAP  
& HARDWARE  
(x2)



SLIDE (x1)



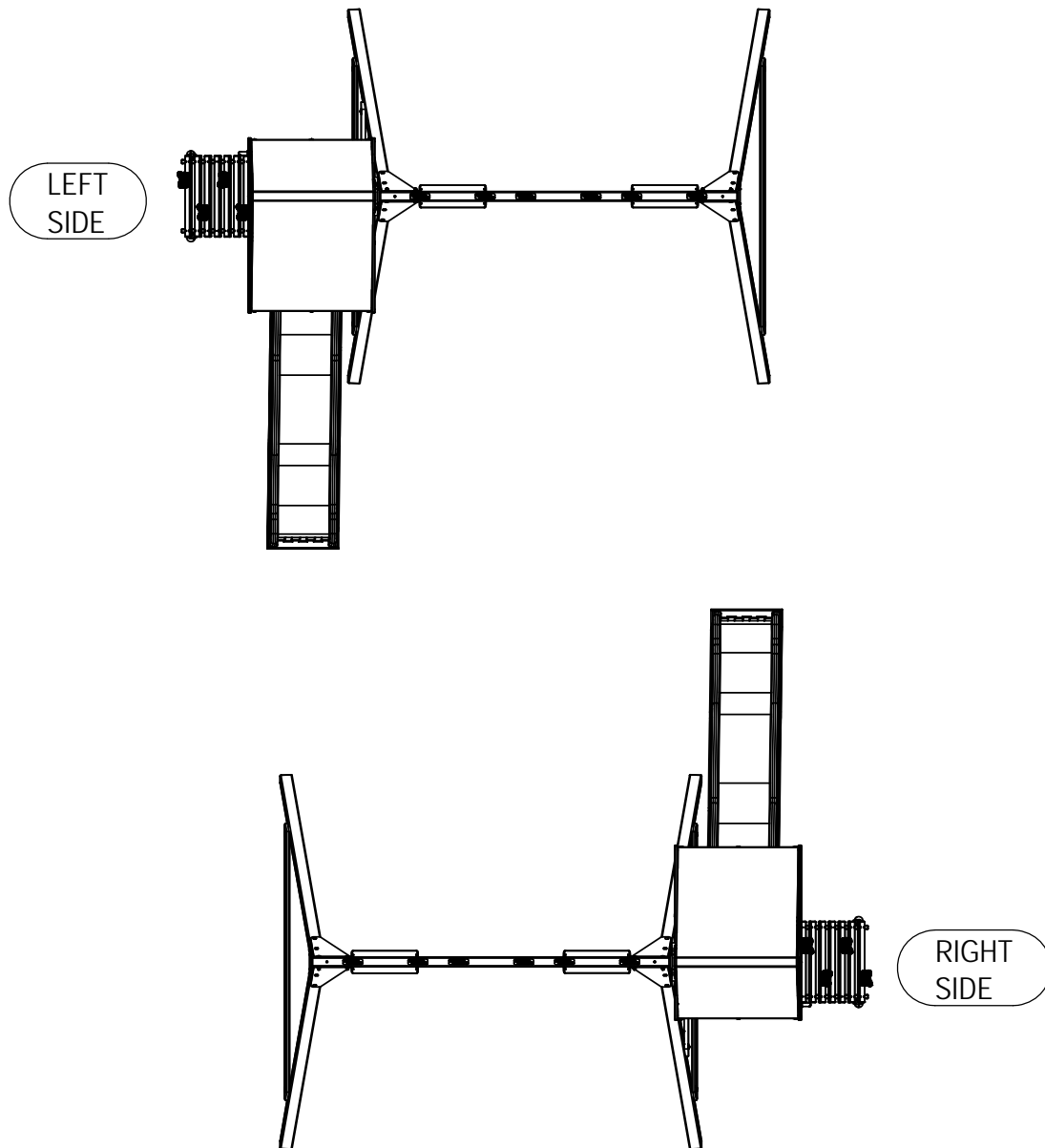
# PREPARING THE SWINGSET



PRIOR TO CONSTRUCTING YOUR "ADD ON" IT IS NECESSARY TO LEVEL AND SQUARE THE SWINGSET.

1. MEASURE DIAGONALLY TO THE INSIDE OF THE SWING LEGS. BOTH DIMENSIONS SHOULD MATCH. DEPENDING UPON SEVERAL FACTORS YOUR DIMENSIONS MAY OR MAY NOT MATCH THE ONES SHOWN.
2. MAKE SURE ALL BRACKETS AND SWING LEGS ARE PARALLEL TO ONE ANOTHER.

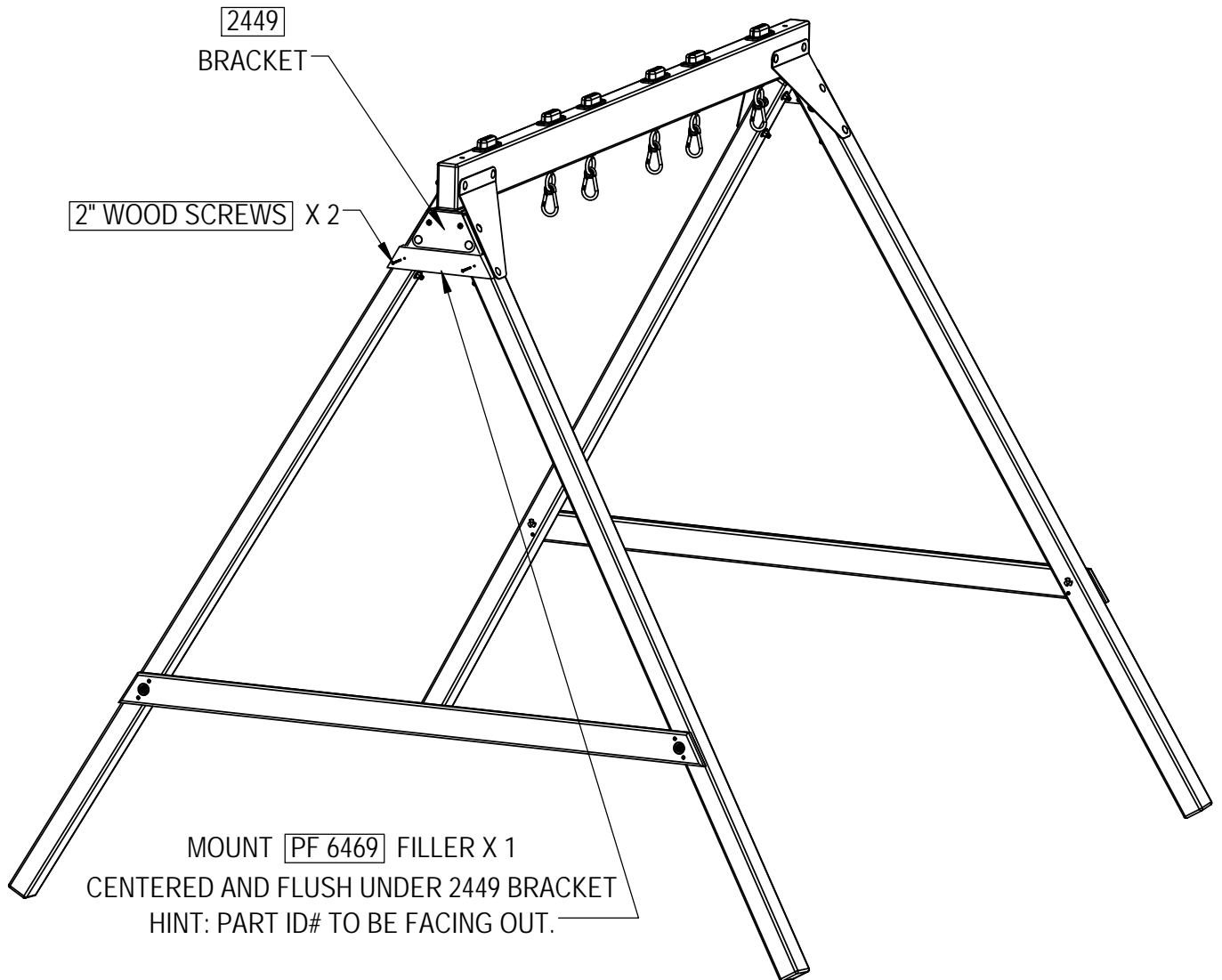
# PREPARING THE SWINGSET



## **IMPORTANT!**

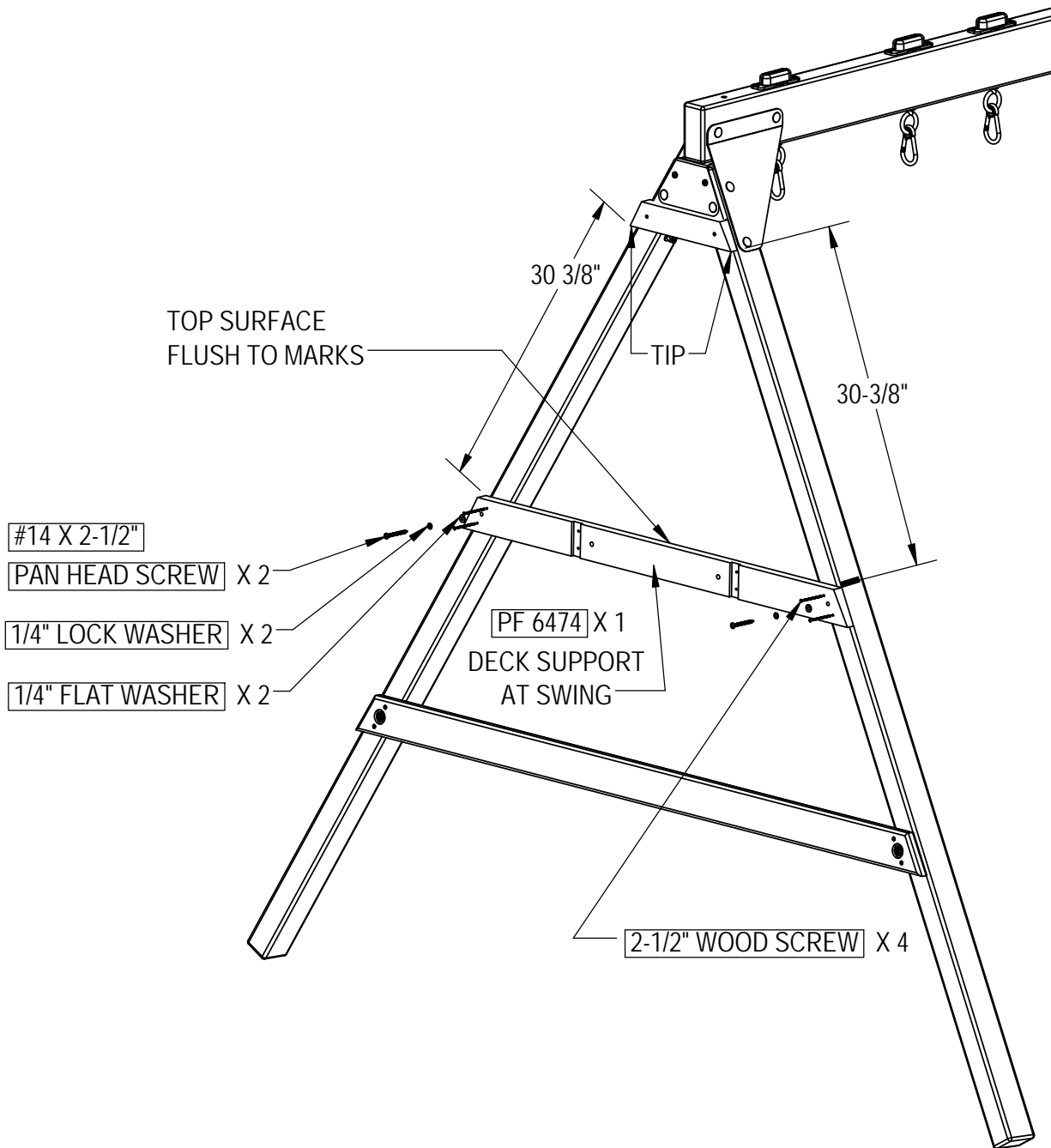
PRIOR TO CONSTRUCTING YOUR PLAYSET DECIDE WHICH SIDE OF THE RANGER SWINGSET YOU WISH TO ATTACH THE "ADD ON" ONTO.

# STEP 1: FILLER



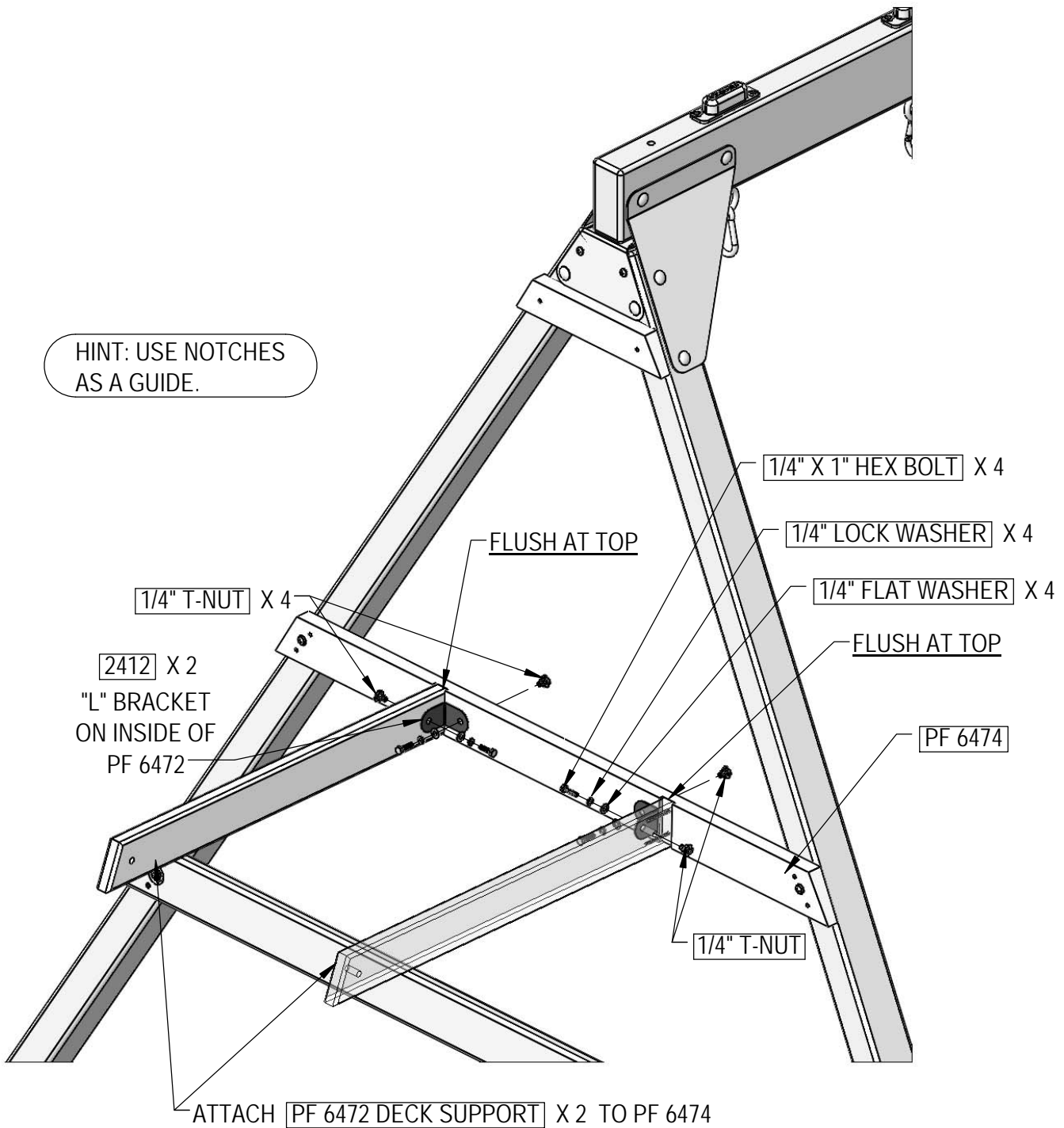
1. CENTER THE FILLER BOARD DIRECTLY UNDERNEATH THE 2449 BRACKET.
2. FASTEN AS SHOWN.

## STEP 2: DECK SUPPORT



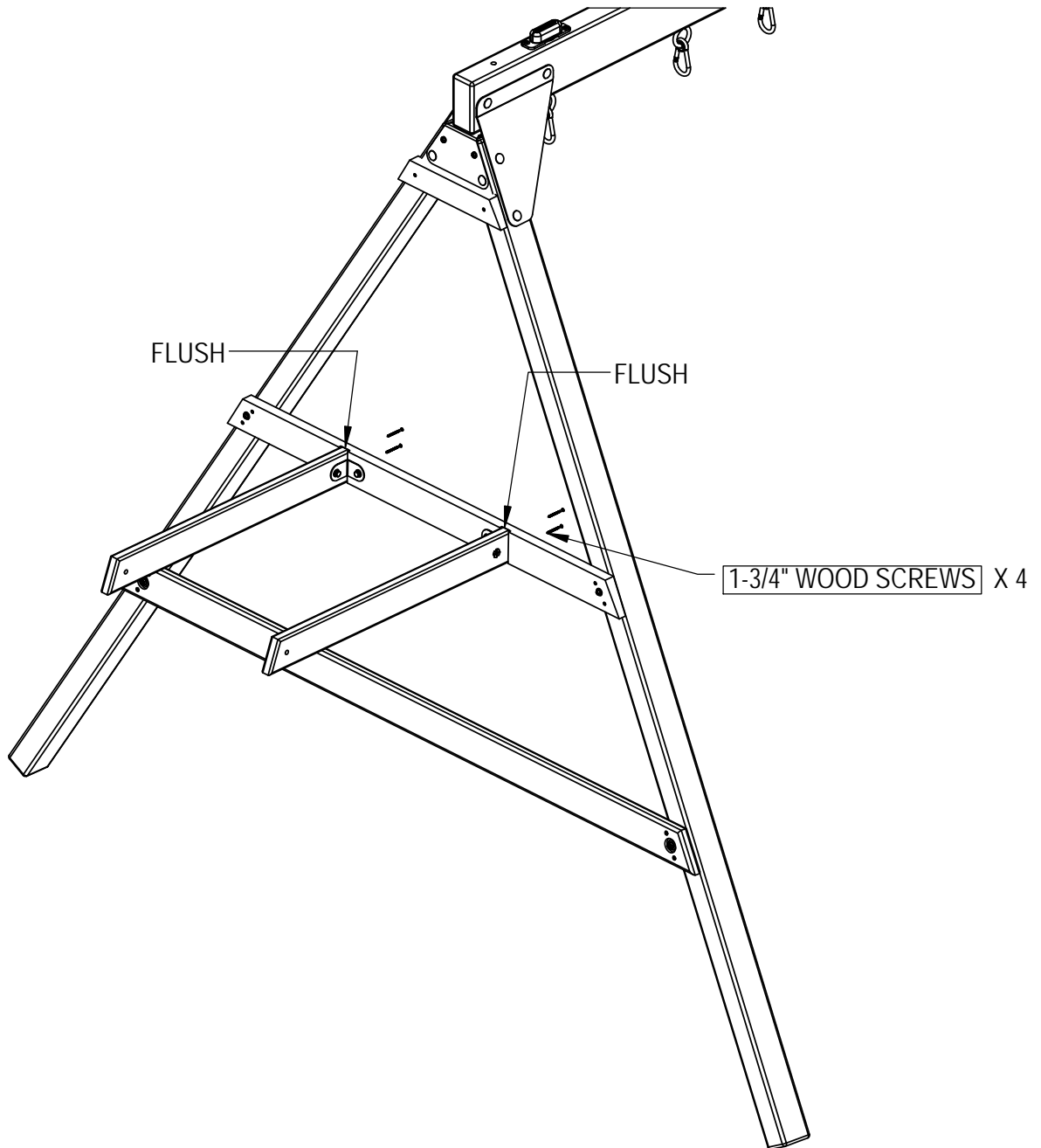
1. MEASURE DOWN FROM THE TIP OF THE FILLER BOARD AND MAKE A MARK ON EACH SWING LEG AT 30-3/8".
2. PLACE THE TOP SURFACE OF **DECK SUPPORT AT SWING** FLUSH TO THE MARKS.
3. CENTER THE **DECK SUPPORT AT SWING** SIDE TO SIDE.
4. FASTEN THE **DECK SUPPORT AT SWING** AS SHOWN.

## STEP 3: L-BRACKETS



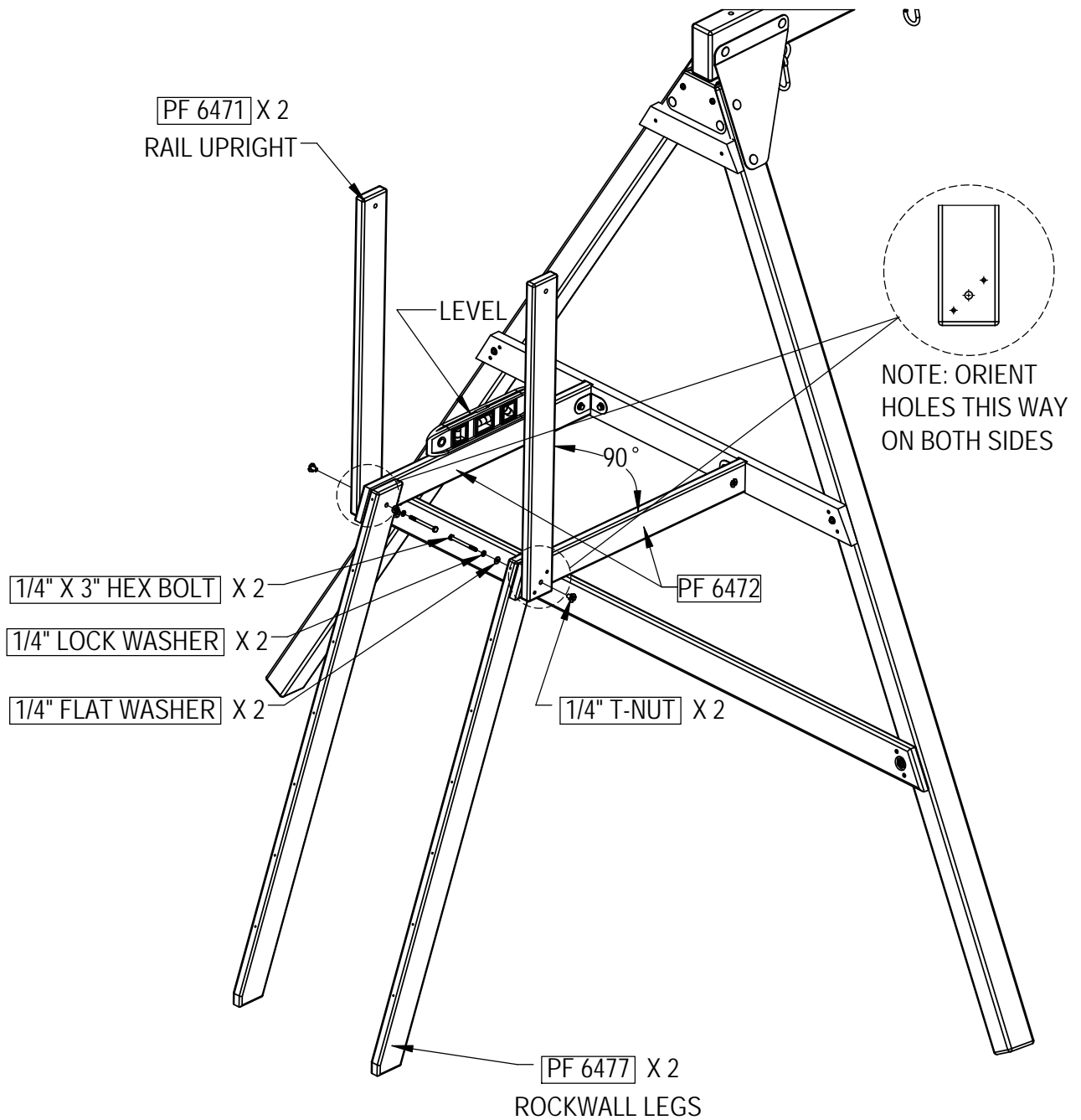
1. PLACE 2412 L BRACKETS ON INSIDE OF DECK SUPPORTS AND FASTEN.
2. MAKE SURE BOTH DECK SUPPORTS ARE FLUSH AT THE TOP.

## STEP 4: DECK SUPPORTS



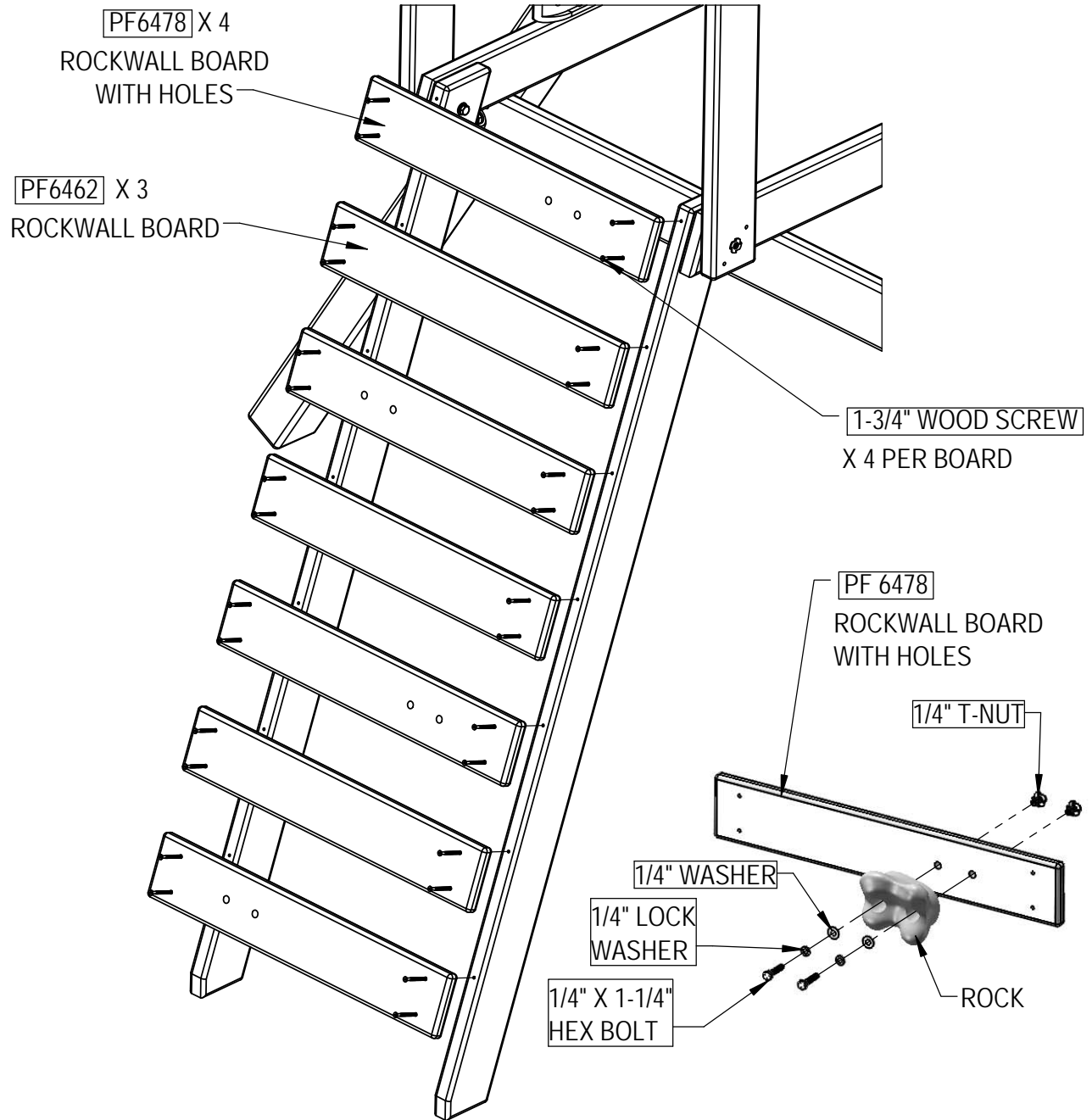
1. FASTEN DECK SUPPORTS TO DECK SUPPORT AT SWING.

# **STEP 5: ROCKWALL LEGS AND RAIL UPRIGHTS**



1. POSITION THE ROCKWALL LEGS AND RAIL UPRIGHTS ON THE INSIDE AND OUTSIDE OF THE DECK SUPPORTS. FASTEN AS SHOWN.
2. ENSURE PF 6472 ARE LEVEL. YOU MAY NEED TO BURY ROCKWALL LEGS TO MAKE THEM LEVEL.

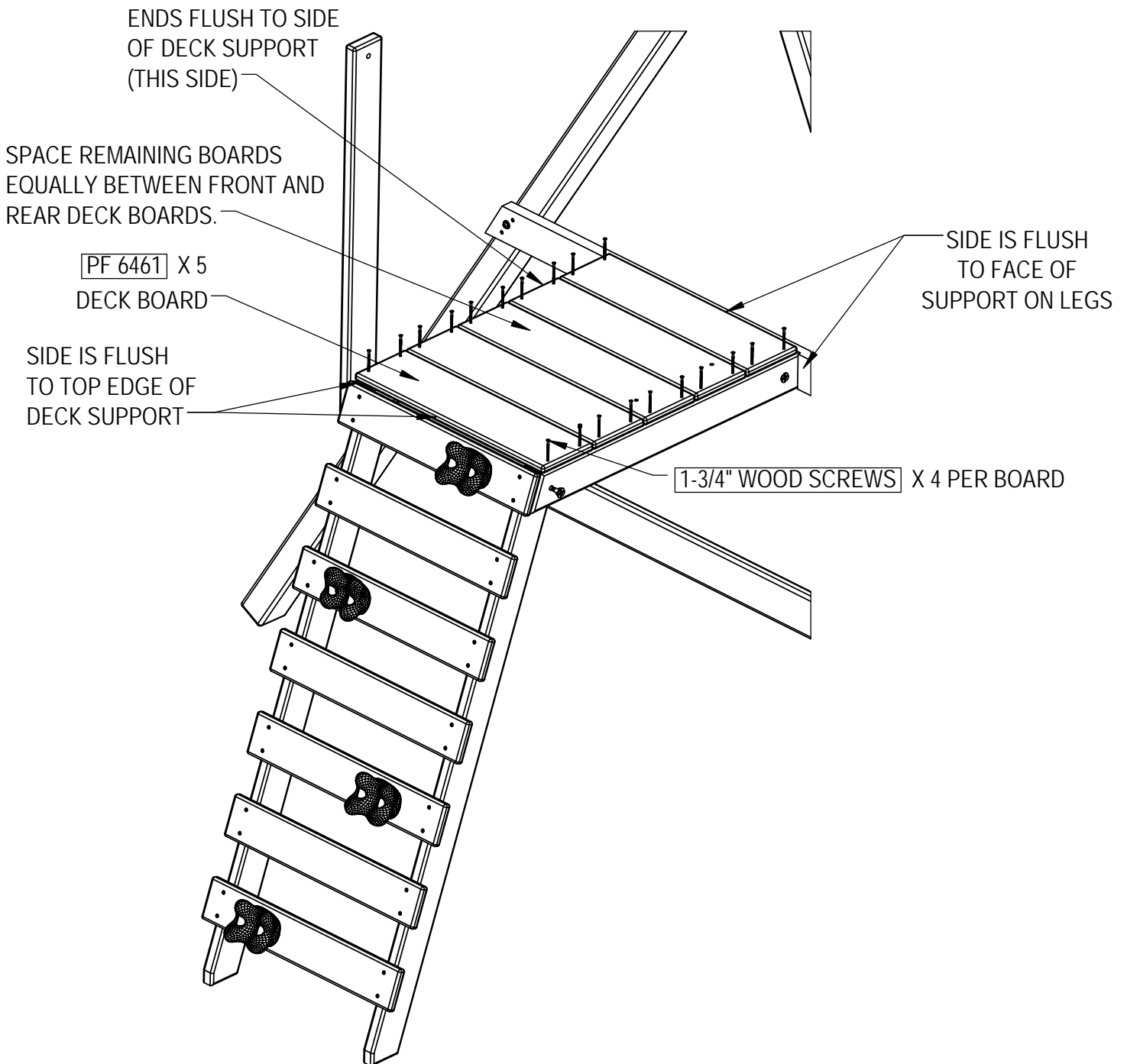
## **STEP 6: ROCKWALL BOARDS**



1. LAY OUT THE FOUR ROCK WALL BOARDS WITH HOLES ON A FLAT SURFACE ALTERNATING THE HOLES LEFT AND RIGHT AS SHOWN. INSTALL A ROCK ONTO EACH BOARD USING THE ROCK HARDWARE TO ATTACH THE ROCKS.
2. ALIGN ROCK WALL HOLES WITH PRE-DRILLED HOLES IN ROCKWALL LEGS. FASTEN AS SHOWN. NOTE: THERE WILL ONLY BE A TOP HOLE PRE-DRILLED IN THE LEGS.

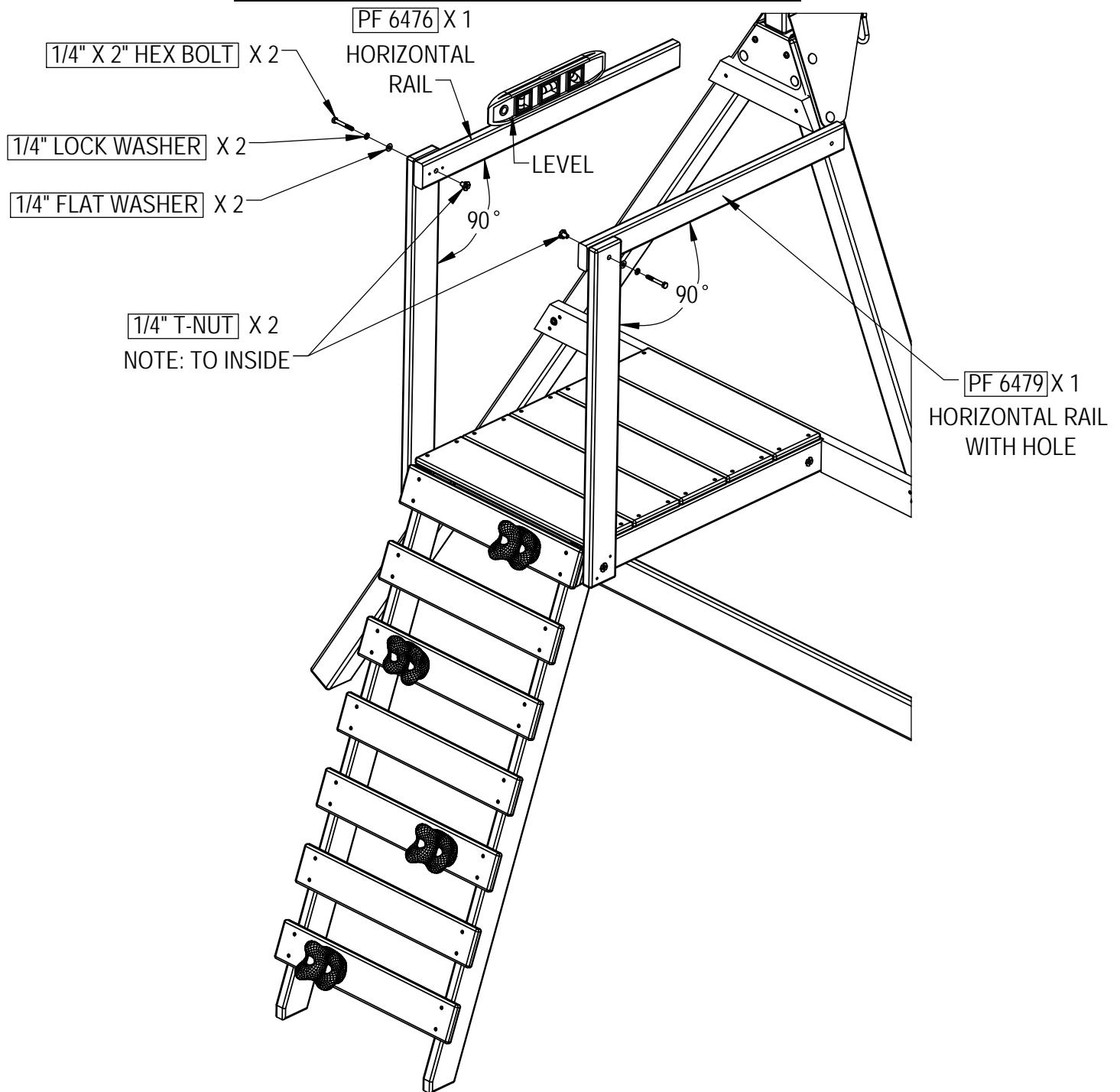


## **STEP 7: DECK BOARDS**



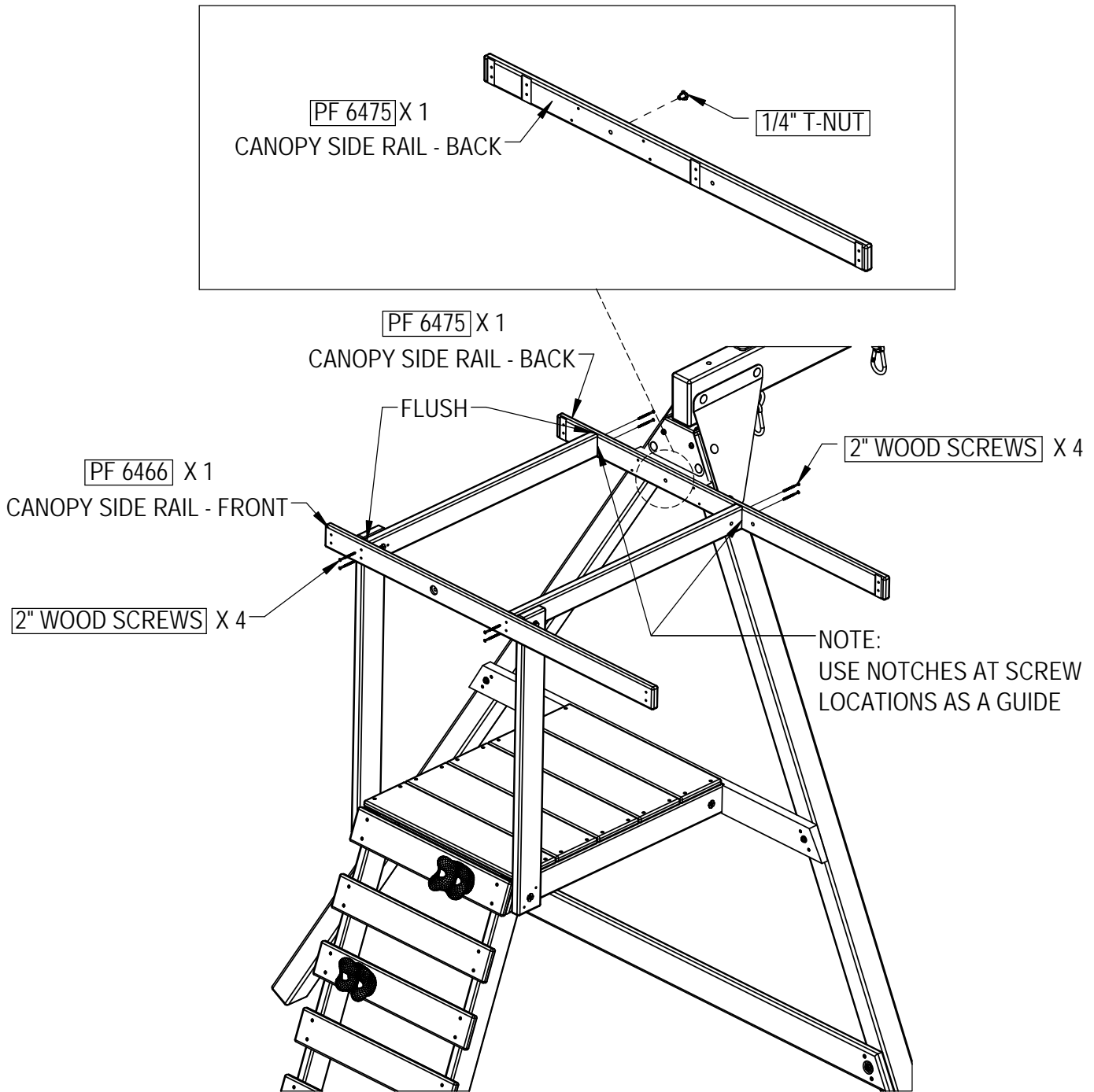
1. PLACE FRONT AND BACK DECK BOARDS ON TOP OF DECK SUPPORTS AS SHOWN.
2. EQUALLY SPACE REMAINING BOARDS AND FASTEN ALL BOARDS.

## **STEP 8: HORIZONTAL RAILS**



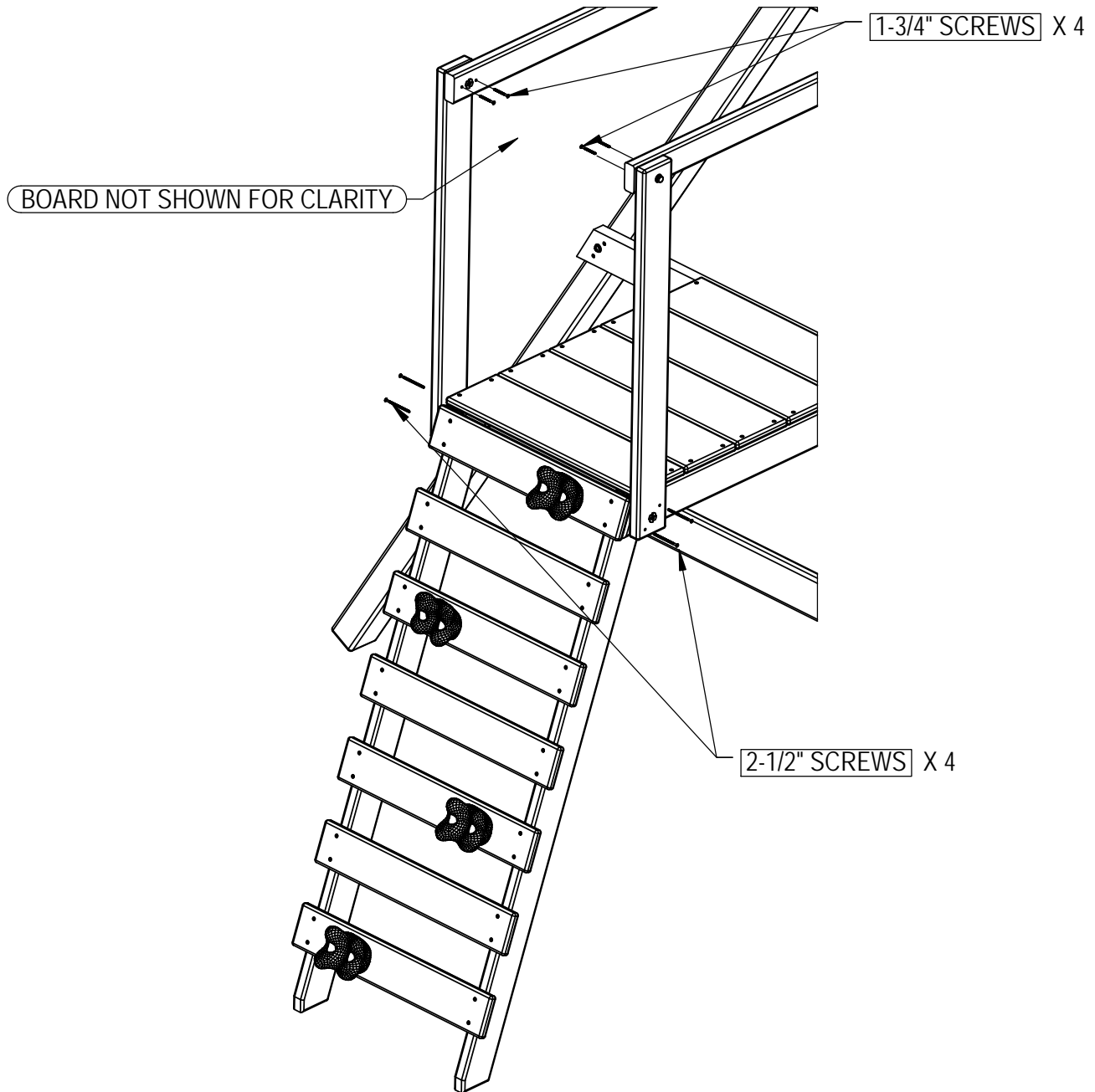
1. PLACE HORIZONTAL RAILS ON INSIDE OF RAIL UPRIGHTS.
2. INSTALL HARDWARE.
3. LEVEL AND SQUARE HORIZONTAL RAILS AND TIGHTEN BOLTS.

## **STEP 9: CANOPY SIDE RAILS**



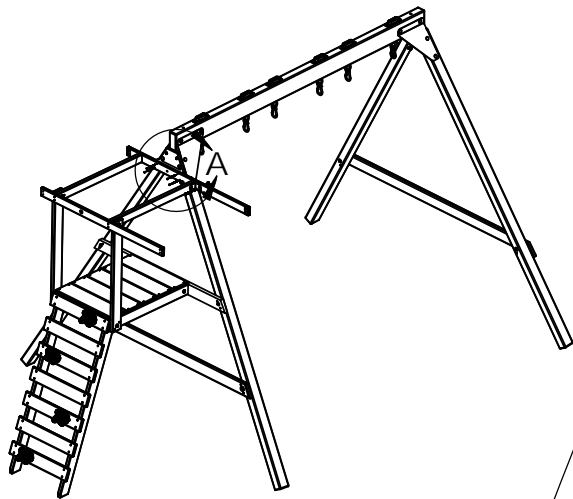
1. INSTALL T-NUT INTO CANOPY SIDE RAIL - BACK AS SHOWN.
2. POSITION CANOPY SIDE RAILS AS SHOWN USING THE NOTCHES TO LOCATE THEM.
3. FASTEN THE CANOPY SIDE RAILS.

## STEP 10: SECURE UPRIGHTS



1. SECURE THE UPRIGHTS AS SHOWN.

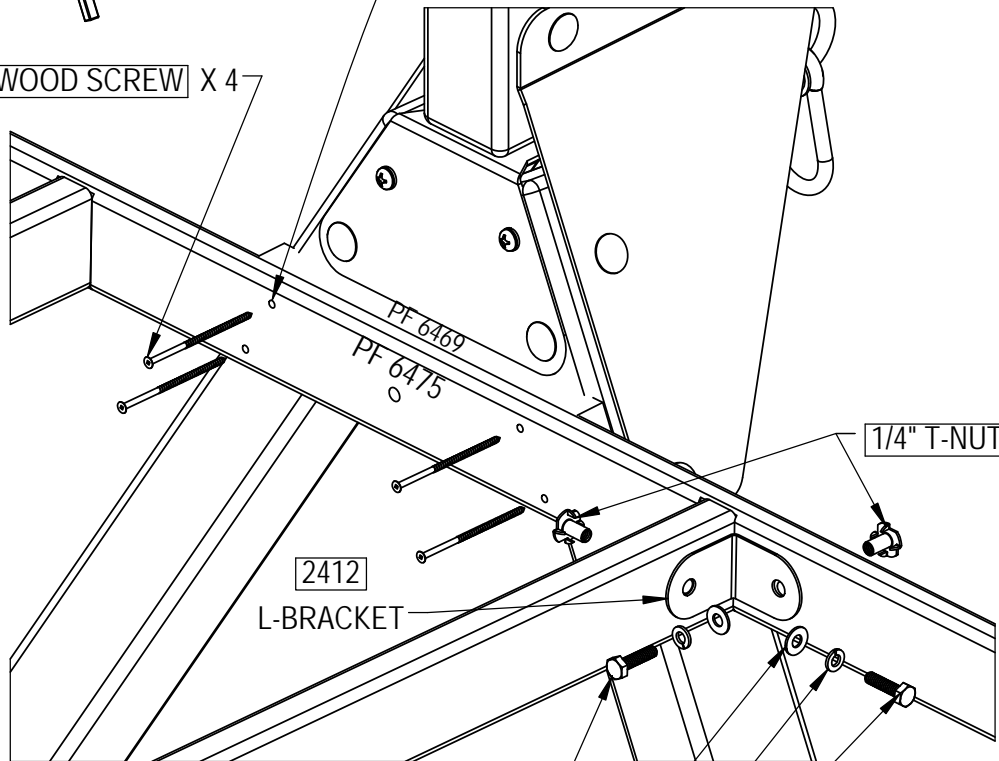
# STEP 11: CONNECT CANOPY RAIL TO LEGS



HINT: PRE-DRILL 1/8" HOLES THROUGH PF 6475 INTO PF 6469 TO HELP AVOID SPLITTING THE WOOD.

DETAIL A

3" WOOD SCREW X 4



1/4" T-NUT X 2

2412

L-BRACKET

1/4" X 1" HEX BOLT X 1

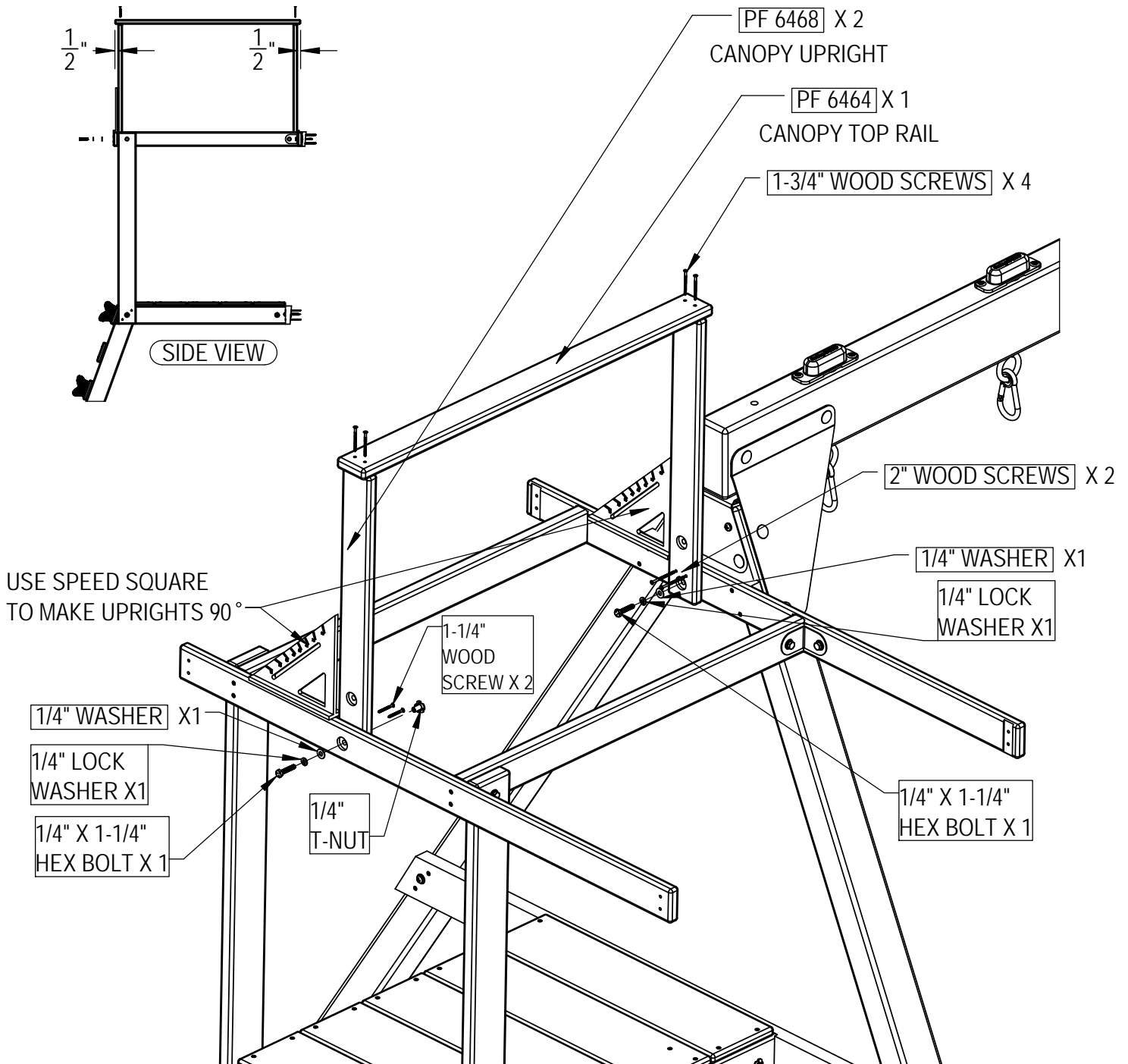
1/4" FLAT WASHER X 2

1/4" LOCK WASHER X 2

1/4" X 1-1/4" HEX BOLT X 1

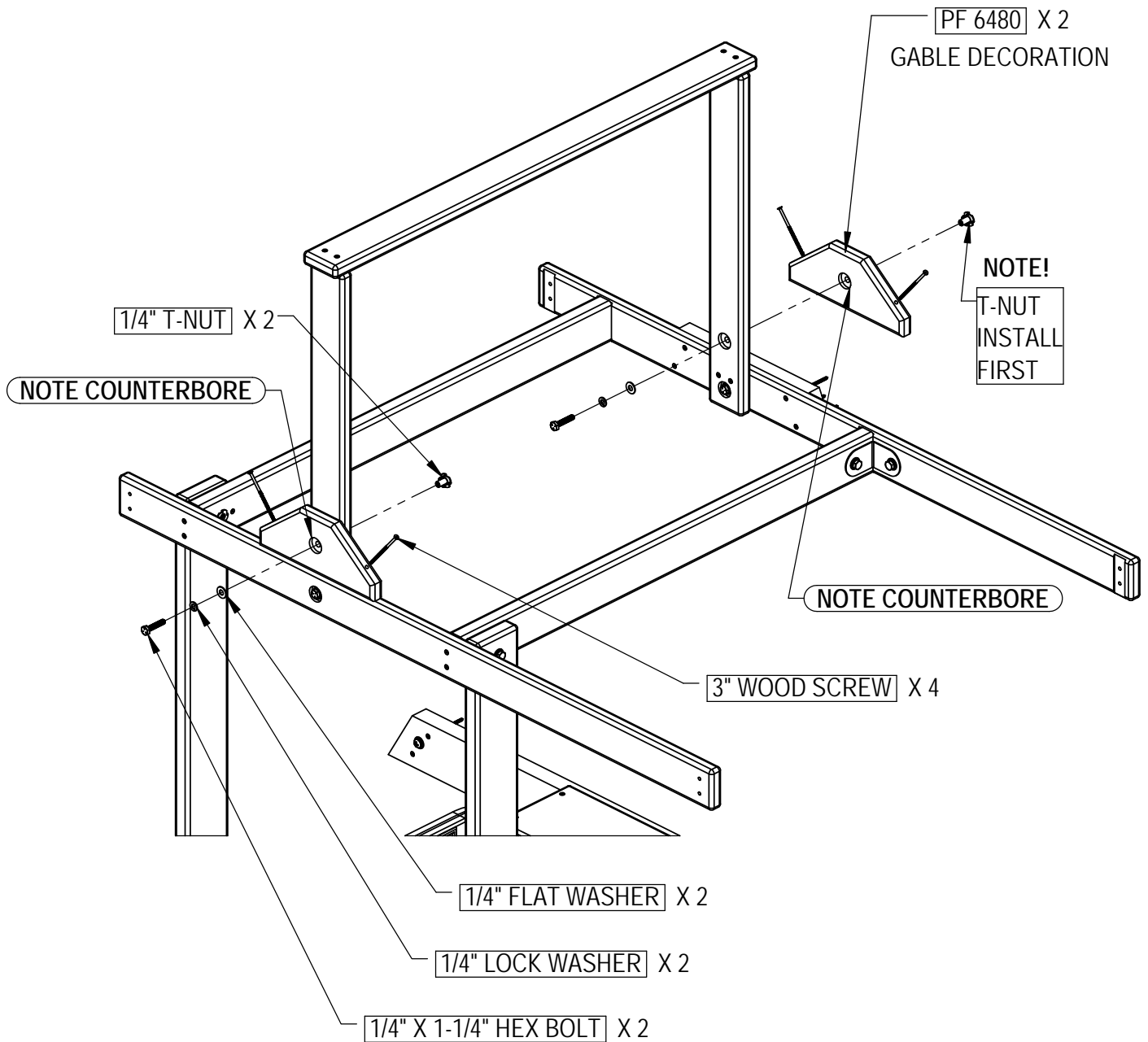
1. FASTEN 2412 L-BRACKET AS SHOWN.
2. PREDRILL 1/8" DIAMETER HOLES INTO PF 6469 AND INSTALL SCREWS.

## STEP 12: CANOPY UPRIGHTS/RAIL



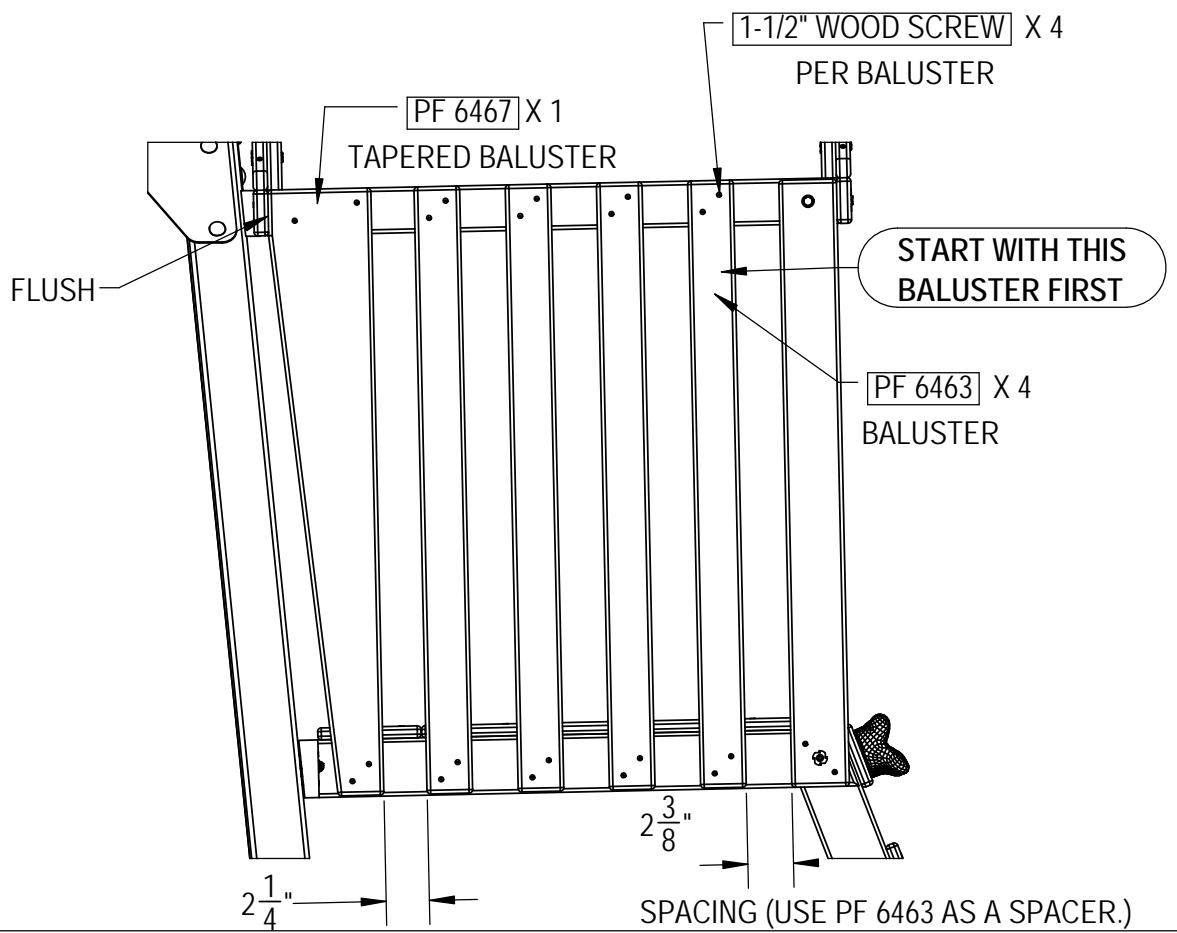
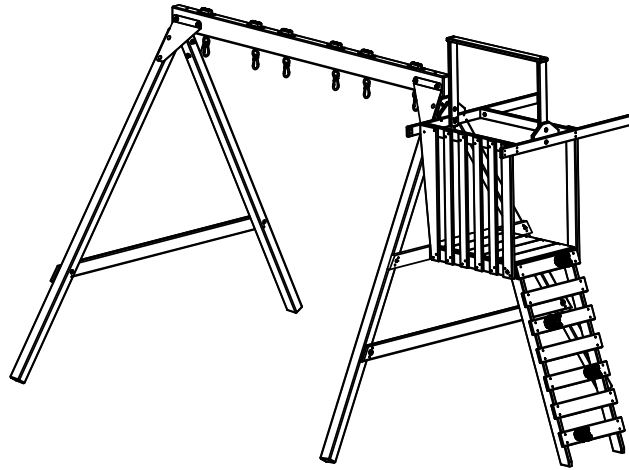
1. EQUALLY SPACE THE CANOPY UPRIGHTS BETWEEN THE HORIZONTAL RAILS.
2. SQUARE THE CANOPY UPRIGHTS AND FASTEN THEM.
3. FASTEN THE CANOPY TOP RAIL LEAVING 1/2" OVERHANGING EACH SIDE. SEE (SIDE VIEW).

# STEP 13: GABLE DECORATIONS



1. INSTALL THE T-NUT INTO THE GABLE DECORATION AND CANOPY UPRIGHT.
2. FASTEN GABLE DECORATIONS WITH HEX BOLTS LOOSELY.
3. FASTEN GABLE DECORATIONS WITH 3" WOOD SCREWS.
4. TIGHTEN HEX BOLTS.

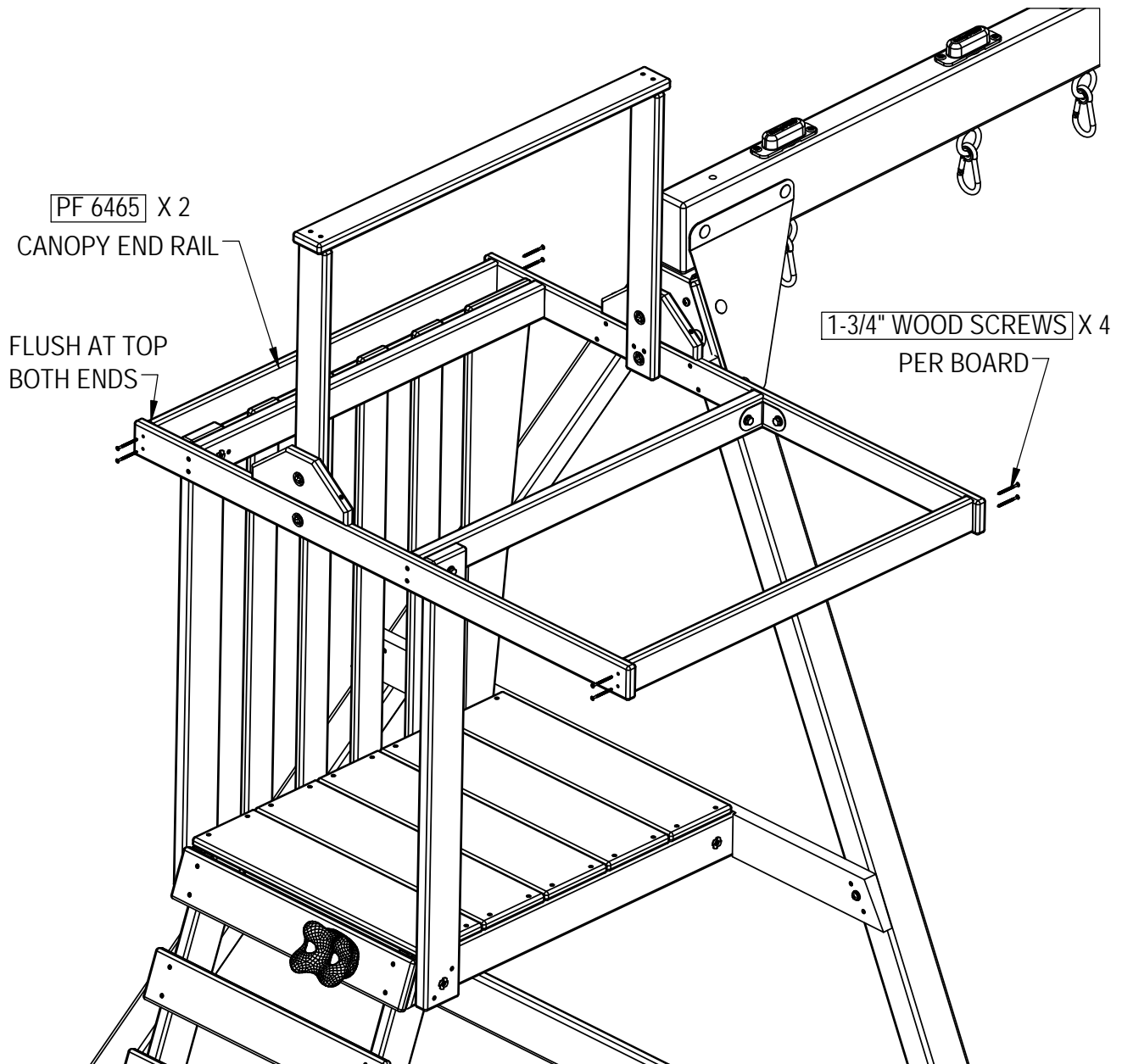
# STEP 14: BALUSTERS



1. INSTALL THE BALUSTERS SPACING THEM 2-3/8" APART.

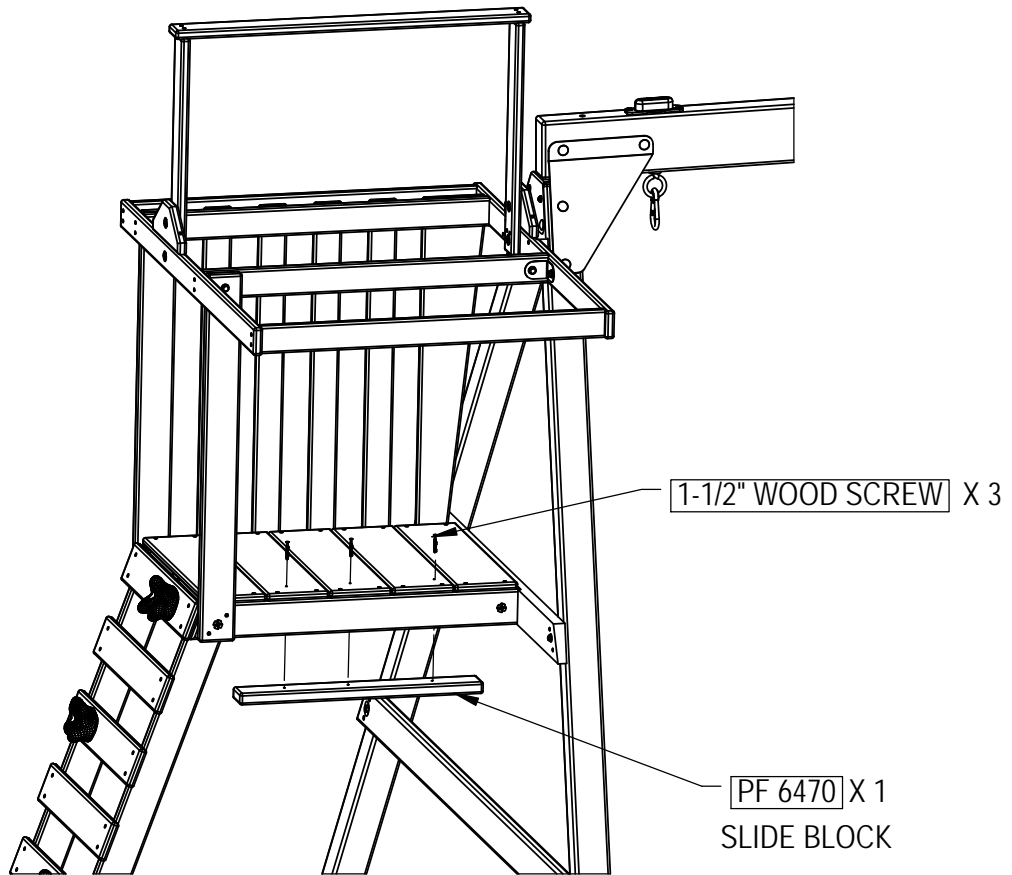
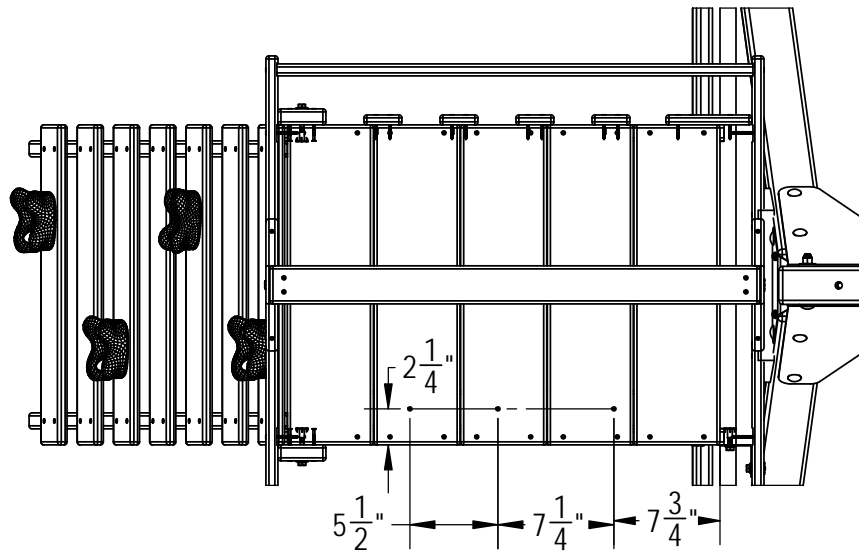


## **STEP 15: CANOPY END RAILS**



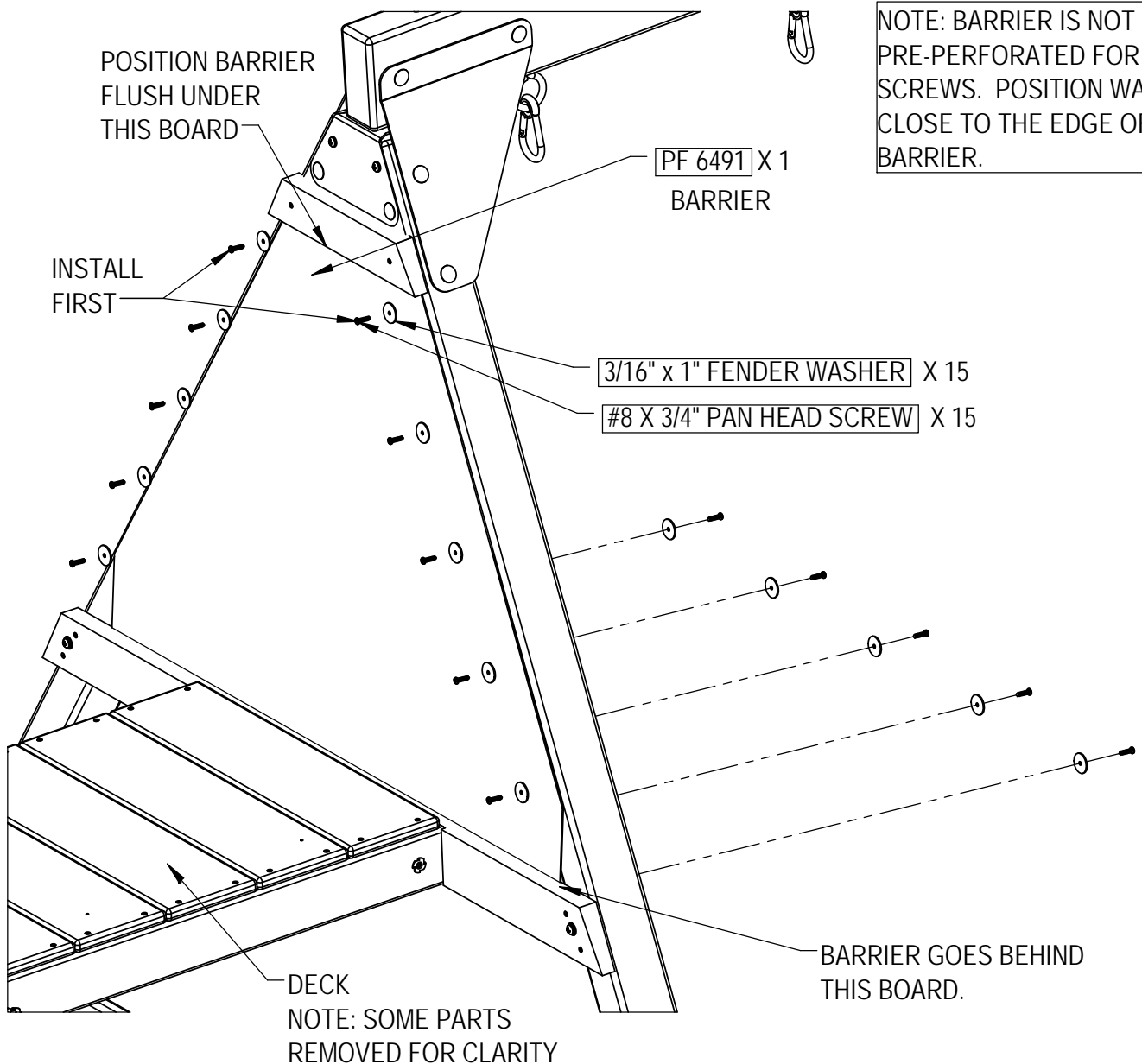
1. LOCATE THE CANOPY END RAILS IN THE NOTCHES.
2. FASTEN EACH CANOPY END RAIL.

## **STEP 16: SLIDE BLOCK**



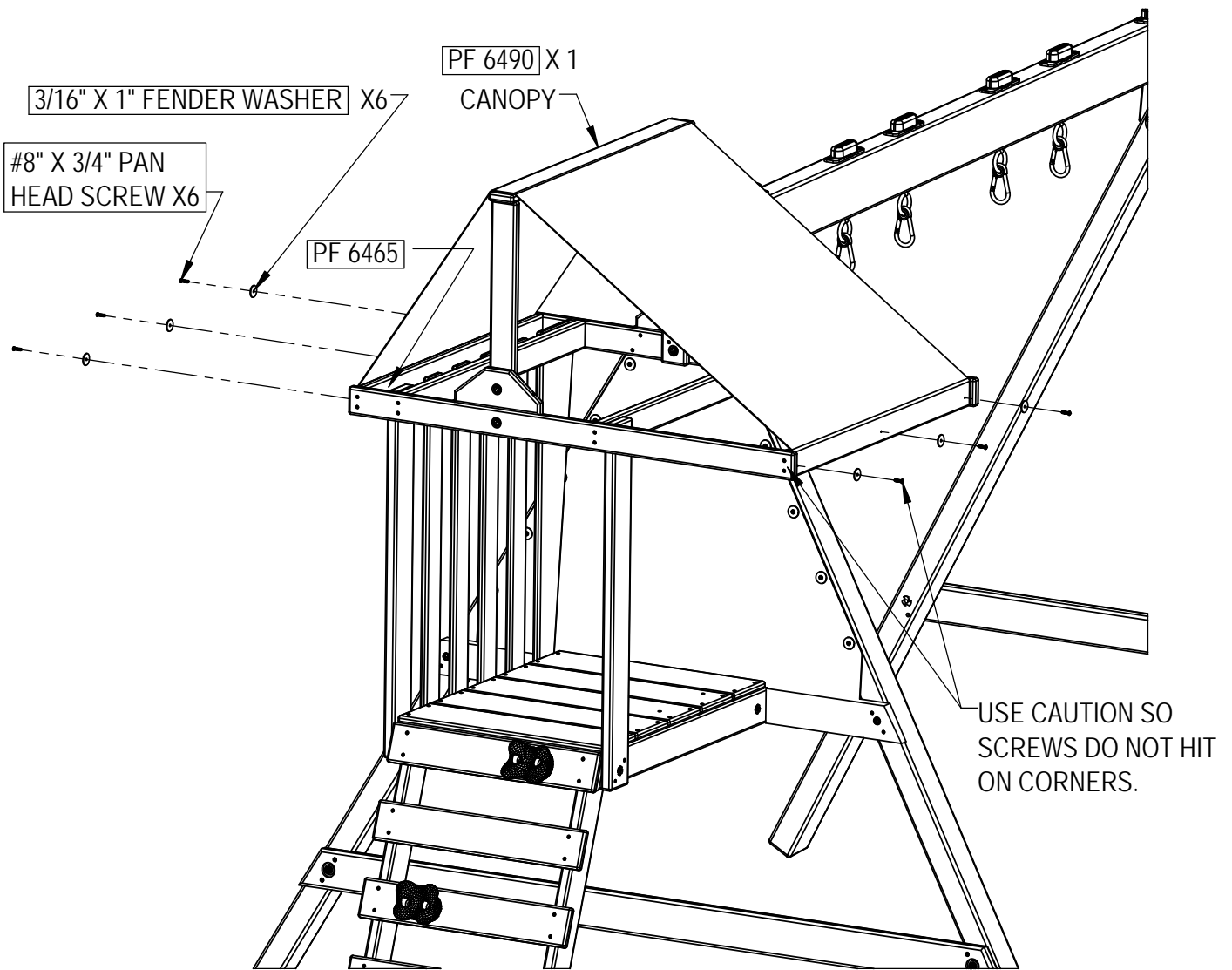
1. PRE-DRILL 1/8" HOLES AT THE LOCATIONS SHOWN ABOVE.
2. PLACE SLIDE BLOCK UNDER DECK FLUSH AGAINST THE DECK SUPPORT.
3. SECURE SLIDE BLOCK TO DECK BOARDS WITH SCREWS.

# STEP 17: BARRIER



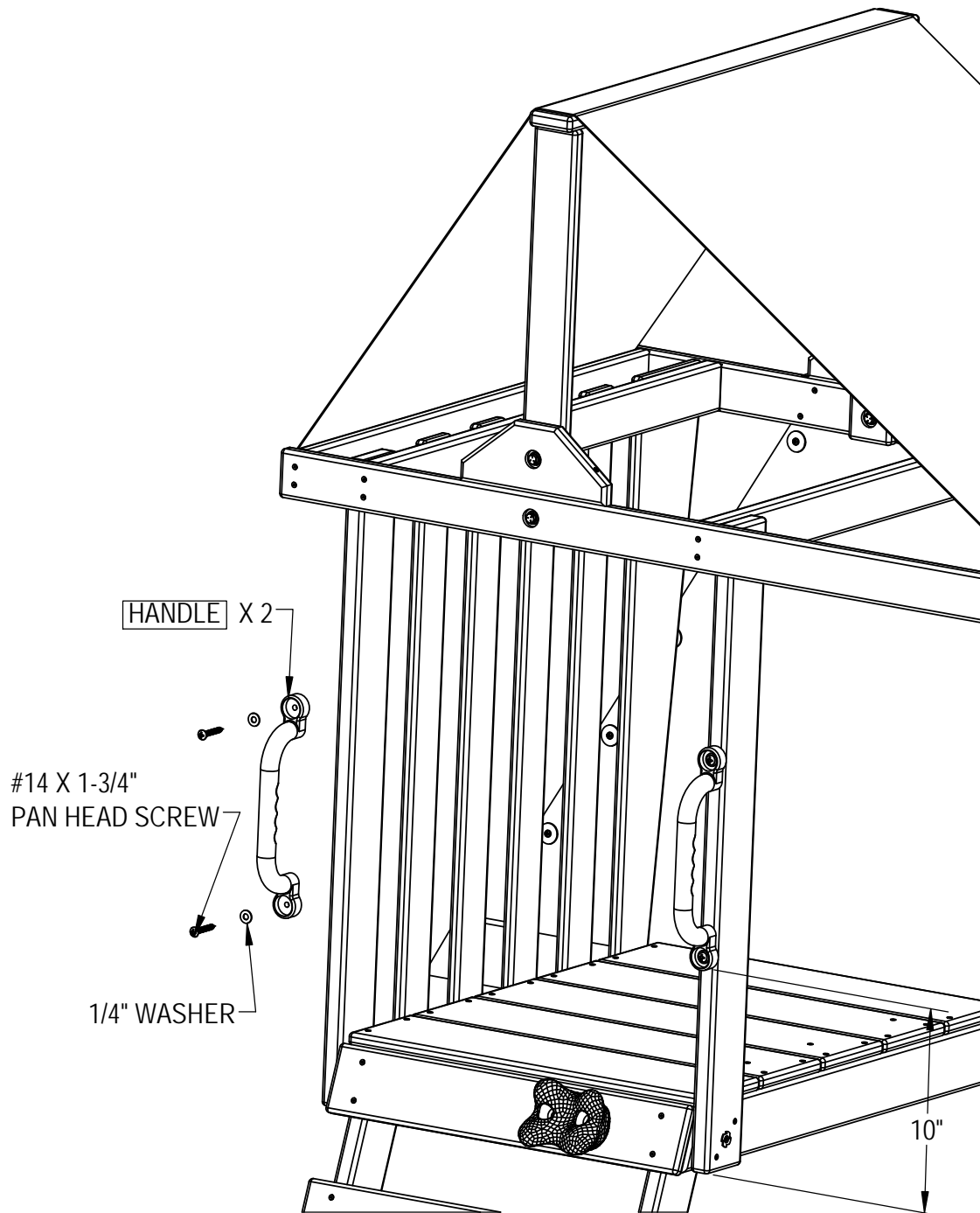
1. POSITION THE BARRIER ON THE OUTSIDE OF THE SWING LEGS LETTING THE LOWER PORTION DROP BEHIND THE BOARD.
2. INSTALL TOP (2) SCREWS FIRST AND THEN INSTALL REMAINING SCREWS, EQUALLY SPACED, PULLING THE BARRIER TIGHT AS YOU GO.

## STEP 18: CANOPY



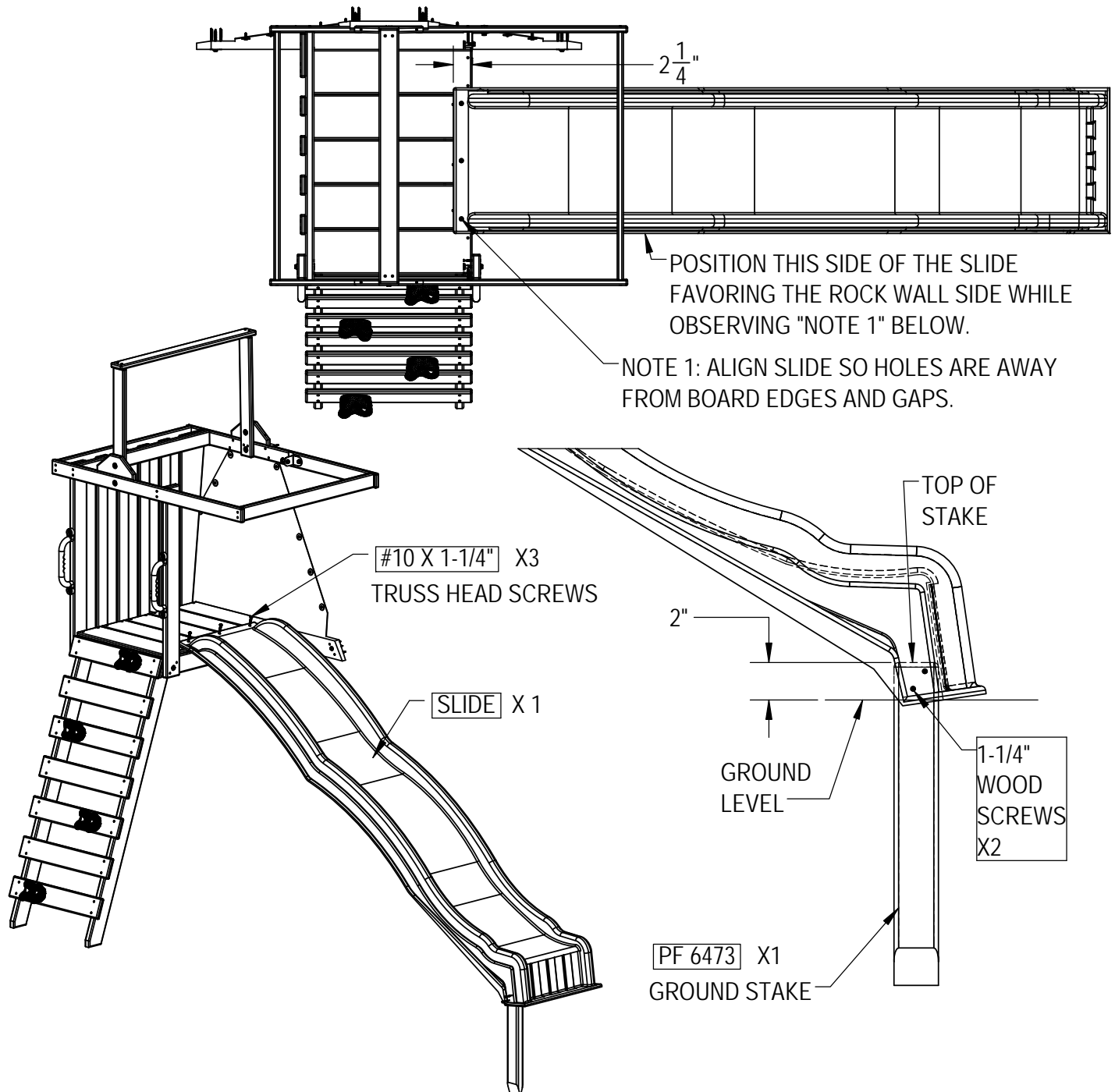
1. POSITION TARP WITH THE HEM SIDE DOWN.
2. TARP WILL FIT BETWEEN CANOPY SIDE RAILS.
3. FLUSH TARP TO BOTTOM OF PF6465 AT ONE END AND SECURE IT.
4. PULL TARP TIGHT AND SECURE AT OTHER END.

## STEP 19: HANDLES



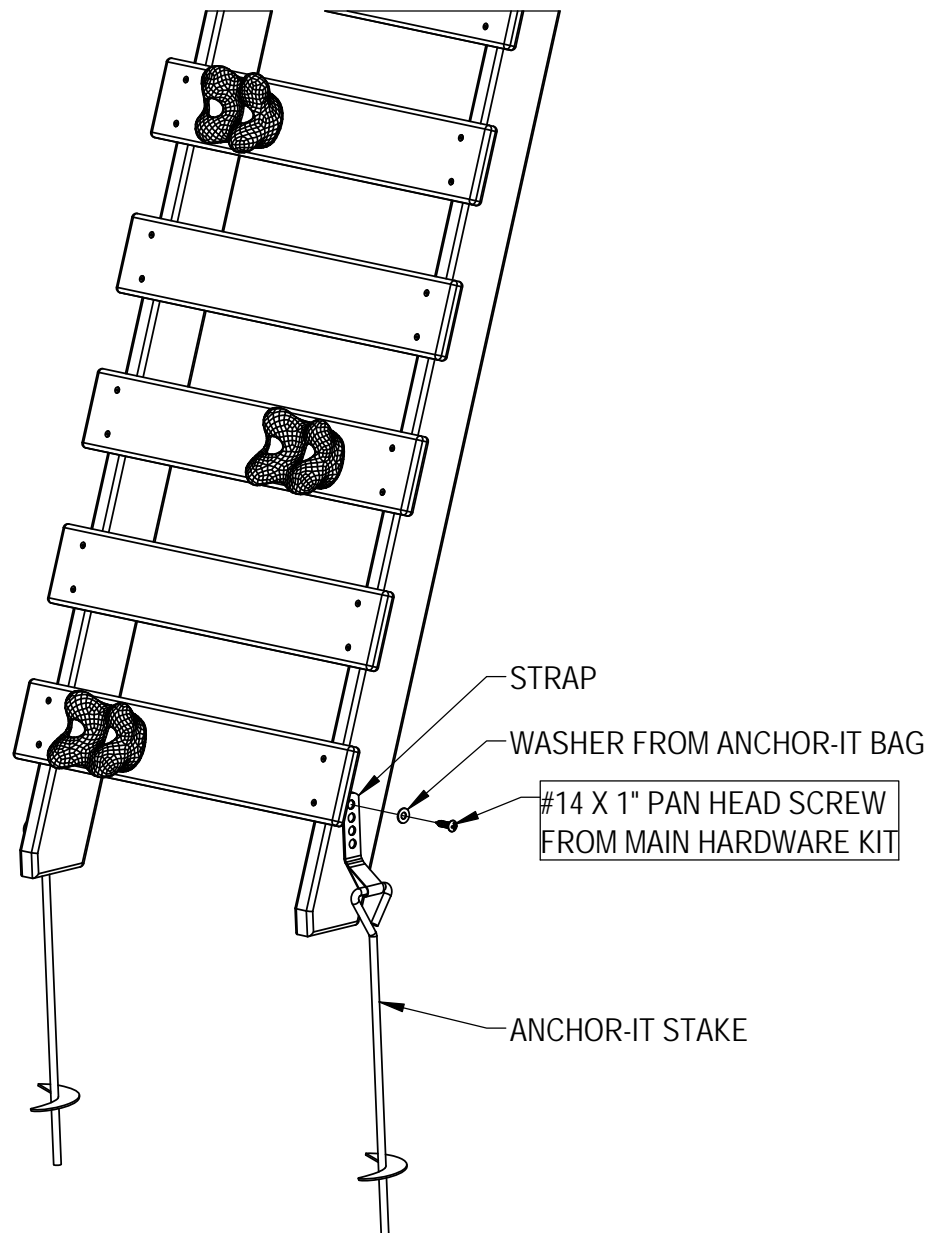
1. PLACE EACH HANDLE AT 10" OFF THE BOTTOM OF THE UPRIGHT AND MARK THROUGH THE HANDLE HOLES.
2. DRILL 1/8" HOLES BY 1-1/4" DEEP AT EACH MARK.
3. INSTALL THE HARDWARE INCLUDED WITH THE HANDLES.

## STEP 20: SLIDE AND STAKE



1. POSITION SLIDE ONTO DECK AS SHOWN WITH LIP OVERHANGING DECK 2-1/4". MARK EDGES OF SLIDE ONTO DECK WITH A PENCIL. GO TO BOTTOM OF SLIDE AND MARK POSITION OF STAKE SO THAT STAKE WILL BE ON THE INSIDE OF THE SLIDE.
2. HAMMER STAKE INTO GROUND SO THAT 2" OF STAKE IS ABOVE GROUND.
3. REPOSITION SLIDE LIP ON MARKS AND THE END OF THE SLIDE OVER THE STAKE.
4. PREDRILL 1/8" HOLES THROUGH THE HOLES IN THE SLIDE LIP THROUGH THE DECK BOARDS ONLY. THEN INSTALL #10 X 1-1/4" TRUSS HEAD SCREWS INTO SLIDE LIP.
5. INSTALL SCREWS THROUGH SIDE OF SLIDE INTO THE STAKE.

## STEP 21: ANCHOR-IT STAKES



1. PLACE STAKE BESIDE ROCK WALL LEG FAR ENOUGH SO THAT IT CAN TWIST.
2. TWIST IN THE STAKE UNTIL THE TRIANGLE AT THE TOP IS SITTING ABOVE THE GROUND.
3. BEND STRAP IN A "U" SHAPE AROUND THE TOP OF THE TRIANGLE.
4. USE PLIERS TO ADJUST SHAPE OF STRAP UNTIL THE STRAP HOLES FIT FLUSH TO ROCK WALL LEG.
5. INSTALL FASTENERS.
6. REPEAT 1-5 ON OTHER ROCK WALL LEG.

# Swing-N-Slide® MANUFACTURERS LIMITED WARRANTY

---

Swing-N-Slide® takes great pride in the quality and durability of our products. Our Manufacturer's Limited Warranty provides confidence and demonstrates our commitment to providing quality residential playground products.

---

## MANUFACTURER'S LIFETIME LIMITED WARRANTY

Swing-N-Slide® warrants its thermoformed slides and climbing mountains to be free from defects in workmanship and materials, under normal use and conditions, for the lifetime of the product.

## MANUFACTURER'S 5 YEAR LIMITED WARRANTY

Swing-N-Slide® warrants its Custom Ready-to-Build Play Set kits and accessories to be free from defects in workmanship and materials, under normal use and conditions, or a period of 5 years.

## MANUFACTURER'S 5 YEAR LIMITED WARRANTY

Swing-N-Slide® warrants its No-Cut and Wood Complete Ready-to-Assemble Play Set kits against wood rot and termite damage, and to be free from defects in workmanship and materials, under normal use and conditions, for a period of 5 years for structural wood components.

**Cosmetic defects** that do not affect the structural integrity of the product, or natural defects of wood such as warping, splitting, checking, twisting, shrinkage, swelling or any other physical properties of wood that do not present a safety hazard, are not covered by this warranty.

## MANUFACTURER'S ACCESSORY, PLAYHOUSE WARRANTY

Swing-N-Slide® warrants its playset accessories and accessories sold separately as follows: Rope, Canopy/Tarps, Playhouses – 1 year. Plastic Components, Chains, Hardware and Fasteners – 5 years. These items to be free from defects in workmanship and materials, under normal use and conditions, for the period specified.

Swing-N-Slide® will repair, or at its discretion, replace any part within the stated warranty period which is defective in workmanship or materials. This decision is subject to verification of the defect upon delivery of the defective part to Swing-N-Slide® 166 Etowah Industrial Court Canton, GA 30114 Any part(s) returned to Swing-N-Slide® must have prior approved Return Authorization Number and proof of purchase, including the date of purchase. This warranty is valid only if the product is used for the purpose for which it was designed and installed at a residential, single family dwelling. This warranty is void if the product is put to commercial or institutional use. This warranty does not cover (a) products which have been damaged by acts of Nature, negligence, misuse, or accident, or which have been modified or repaired by unauthorized persons; (b) the cost of labor; or the cost of shipping the product, any part, or any replacement product or part.

Swing-N-Slide® DISCLAIMS ALL OTHER REPRESENTATIONS AND WARRANTIES OF ANY KIND, EXPRESS, IMPLIED, STATUTORY OR OTHERWISE, INCLUDING THE IMPLIED WARRANTIES OF MERCHANTABILITY AND FITNESS FOR A PARTICULAR PURPOSE. Swing-N-Slide® WILL NOT BE LIABLE FOR ANY INCIDENTAL OR CONSEQUENTIAL DAMAGES. This warranty is non-transferable and does not extend to the owners of the product subsequent to the original purchaser. Some states do not allow limitations on implied warranties or exclusion of incidental or consequential damages, so these restrictions may not be applicable to you. This warranty gives you specific legal rights. You may also have other rights, which vary from state to state.

## This warranty also does not apply to:

- Structures not erected, maintained or inspected in conformance with **Swing-N-Slide®** installation plans
- Structures that have had parts added or substituted not in conformance with **Swing-N-Slide®** installation plans
- Parts that have been modified, altered or misused
- Parts that have not been used as designed or intended
- Damage due to acts of Nature, vandalism, abnormal use or abuse as determined by **Swing-N-Slide®**





Got Questions? We've got answers!  
Call our Customer Support Representatives

**1-800-882-0272**

**Available Monday - Friday, 8am - 5pm (EST)**

**Technical support from experienced Swing-N-Slide customer service representatives who have actually built a swing set themselves.**