

# SideWinderSlide™

- **DO-IT-YOURSELF AND SAVE!**
- **Made of durable, colorful, fade resistant, UV-treated plastic**
- **Smooth, rounded construction**
- **Easily attaches to 42"-60" slide platforms**
- **Mounting hardware included**
- **No sharp edges**
- **Maintenance free**



## LIFETIME WARRANTY

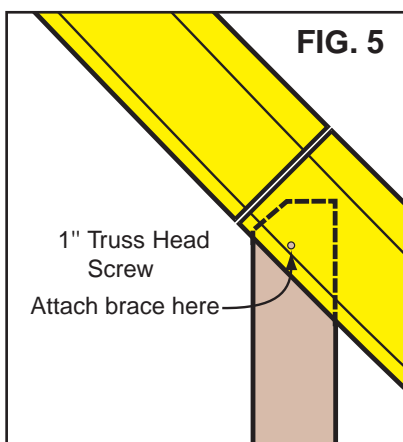
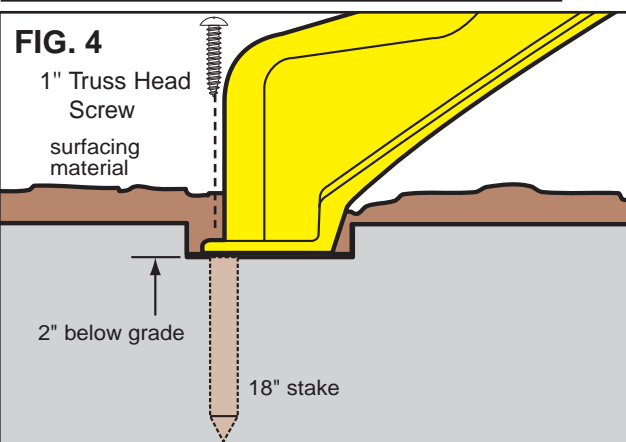
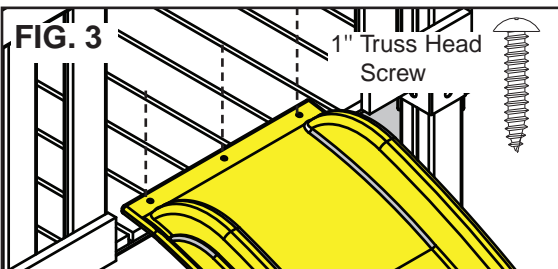
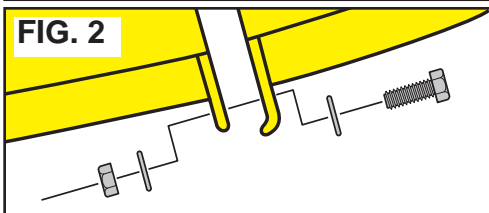
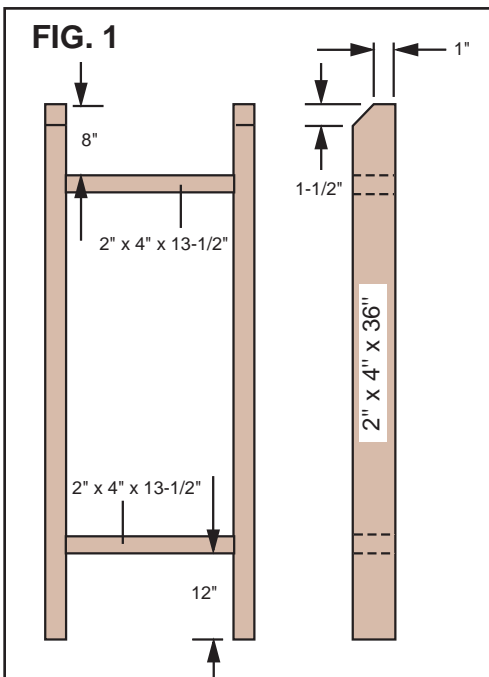
*Will Not Crack or Break*

Swing-N-Slide Corporation guarantees every slide and climbing wall against cracking or breaking under normal use. If either ever breaks or cracks, call us for a free replacement.

800-888-1232



**Lumber Requirements:**  
 One 2" x 4" x 12' (not included)  
 Twelve 2-1/2" Deck Screws



**THIS SLIDE MUST NOT BE INSTALLED OVER CONCRETE, GRAVEL, ASPHALT OR OTHER HARD SURFACES WHICH COULD CAUSE INJURY IN THE EVENT OF A FALL**

### Installation Instructions

**IMPORTANT:** Place the slide on level ground, not less than six feet (1.8 meters) from any structure or obstruction such as a fence, garage, house, overhanging branches, laundry lines or electrical wires. Protective surfacing must extend a **minimum** of 6 ft. (1.828m) in all directions from the perimeter of the equipment or from the outermost edges of any component. A slide extending beyond the platform must have protective surfacing at least 6 ft. (1.828m) out from both sides as well as the end. An area of 21" on either side of the slide should be free of obstructions which a child's arm could contact.

1. Cut lumber as indicated in Fig. 1. You will require two 36" legs, two 13-1/2" cross supports and one 18" stake. Angle the tops of the two 36" legs as indicated.
2. Assemble the slide support using three (3) 2-1/2" Deck Screws at each joint.
3. Assemble the slide halves with a bolt, 2 washers and loc nut at each hole as indicated in Fig. 3.
4. Line up slide 90° to the platform and mark three holes 2-1/2" from the end (See Fig. 3).
5. Attach the slide to the platform with included 1" Truss Head Screws.
6. After the slide is attached to the platform, attach the slide support to the bottom half of the slide using one screw per side as indicated in Fig. 5. Square the support to the ground and bury the ends of the brace. **NOTE:** The bottom cross support should rest firmly on the ground.
7. Prepare a level area of ground where the bottom of the slide rests 2" below grade (Fig. 4).
8. Mark where the slide's bottom center meets the ground and drive a 2" x 4" x 18" stake until its top is flush to the grade prepared in Step 6. (See Fig. 3)
9. Using a 1/8" drill bit, drill a pilot hole through the bottom lip of the slide and into the stake, and attach the two using the screw provided. (See Fig. 3) **NOTE:** Be careful to drill into the center of the stake's end. Level grade around the base making sure the screw head is buried and presents no hazard.

**CAUTION: FAILURE TO PROPERLY SUPPORT AND STAKE THIS SLIDE TO THE GROUND COULD RESULT IN SERIOUS INJURY TO CHILDREN FROM LIFTING THE END OF THE SLIDE.**

© 2010 Swing-N-Slide  
 1212 Barberry Drive  
 Janesville, WI 53545  
 1-800-888-1232  
 www.swing-n-slide.com

LA 6109





# SideWinderSlide™

## Safety Checklist for Swing•N•Slide Slides

**Observing the following statements and warnings reduces the likelihood of serious or fatal injury**

### Installation Safety - Have You:

- ✓ Consulted the assembly instructions supplied with your particular model?
- ✓ Made sure your slide is compatible with the deck height to which it is to be attached?
- ✓ Checked to make sure all parts are received and match the parts list?
- ✓ Noted this slide is to be used only on Swing•N•Slide approved designs? (Do not alter its design or add/remove components.)
- ✓ Made sure all hardware is tightened securely?
- ✓ Using a hacksaw, cut off all protruding threaded ends of bolts and other fasteners and remove any sharp edges with a metal file as needed?
- ✓ Placed the slide on level ground, not less than six feet (1.8 meters) from any structure or obstruction such as a fence, garage, house, overhanging branches, laundry lines or electrical wires?
- ✓ Built the braces properly and to proper dimensions?
- ✓ Anchored the braces and/or stakes into the ground as required?
- ✓ Made sure slide is not installed over concrete, asphalt, packed earth or any other hard surface? (A fall onto a hard surface can result in serious injury to the equipment user.)
- ✓ Followed all anchoring and shock absorbing surfacing requirements in the kit plan as they apply?
- ✓ Made sure not to allow children to use equipment until it is properly installed?

### Operating Safety - Have You:

- ✓ Determined that on-site adult supervision is provided for children of all ages?
- ✓ Taught children the following before allowing them to use the equipment?
  - Not to use equipment in a manner other than intended.
  - Not to climb on the equipment when it is wet.
- ✓ Determined children must be dressed appropriately for play? (Avoid clothing with draw strings and loose fitting clothes which could become entangled or snagged on equipment.)

### Safety Maintenance - Have You Determined to:

- ✓ Check all nuts and bolts twice monthly during the usage season for tightness and tighten as required? (It is particularly important that this procedure be followed at the beginning of each season.)
- ✓ Check hardware monthly during usage season for evidence of deterioration? (Replacement should be made in accordance with manufacturer's instructions.)

### Disposal Instructions

When the equipment is taken out of service, it must be disassembled and disposed of in such a way that no unreasonable hazards will exist at the time the set is discarded.

**IMPORTANT! Additional Safety Instructions for all Swing•N•Slide Playground Equipment. Save this instruction sheet in the event the manufacturer needs to be contacted.**