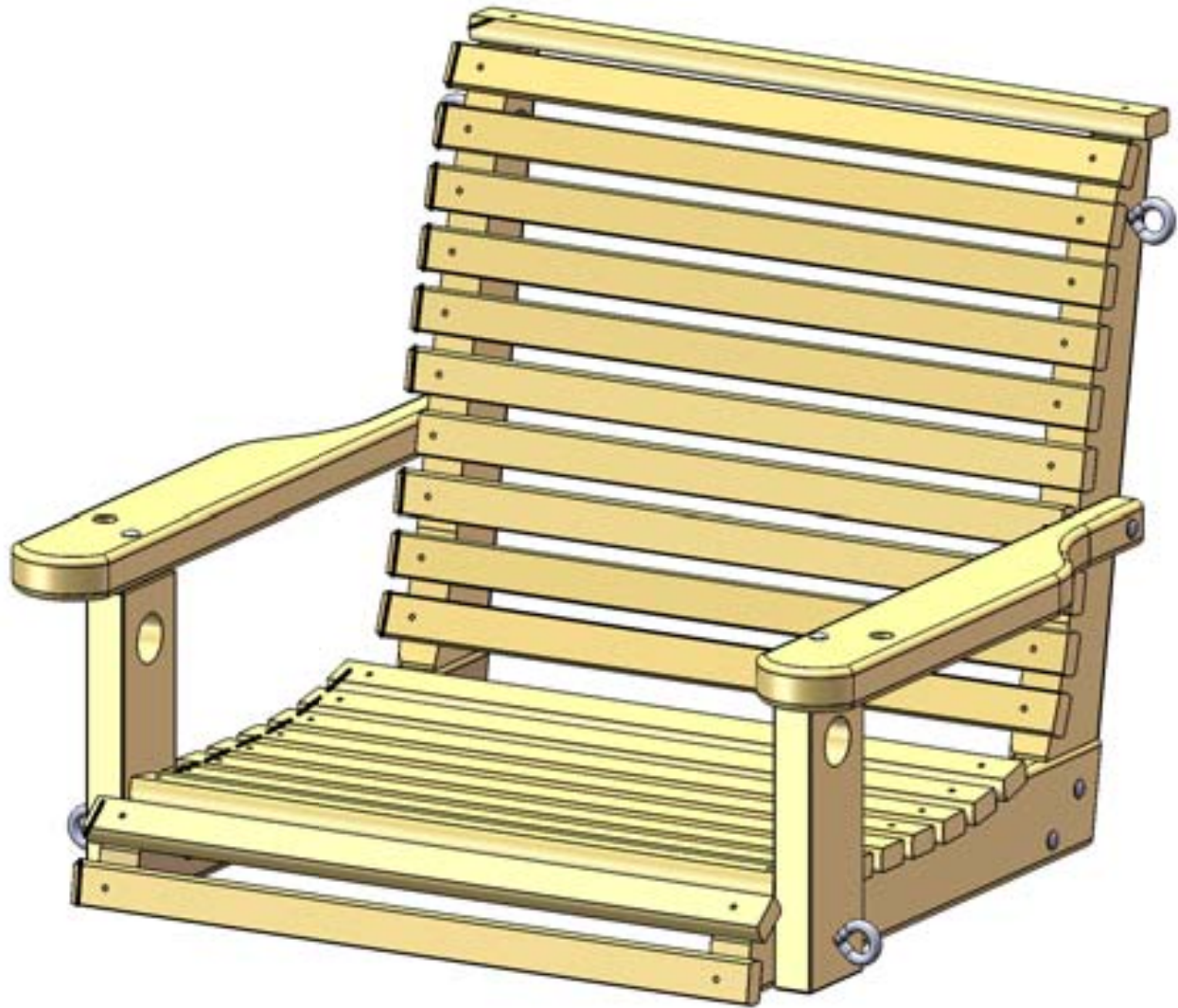


(04-0019)



Babysitter Swing

-FOR RESIDENTIAL USE ONLY-

ASSEMBLY MANUAL
All Rights Reserved
Latest Revision: April 28, 2017

TABLE OF CONTENTS

Warranty and Safety Guidelines.....	Pages 3-7
Tool List and Kit Contents.....	Page 8
Dimensions, Hardware and Lumber Checklist.....	Pages 9-11
Seat to Back Assembly.....	Step 1
Armrest Assemblies.....	Step 2
Armrest Assemblies to Seat Back.....	Step 3
Eyebolts.....	Step 4
Quick Links.....	Step 5
Chains.....	Step 6
Swing Hanging Methods.....	Step 7

**PLEASE READ OWNER'S MANUAL CAREFULLY
BEFORE STARTING ASSEMBLY!**

IMPORTANT – PLEASE READ

This product is made from premium white cedar. Premium white cedar may still be slightly damp when you receive your swing. If the wood is damp lay all the parts out on a table and leave them in a covered area to air dry before staining or painting. Stain should be rated for outdoor use such as the stain used for outdoor decks and outdoor furniture. Paint should also be rated for outdoor use. Maintaining the finish will slow the natural aging process of the wood and reduce surface checking.

It is important that all instructions are read before beginning construction. **BE SURE TO READ THE CHAIN MANUFACTURERS WARNING/INSTALLATION CARD LOCATED IN THE CHAIN PACKAGE BEFORE BEGINNING! DO NOT HANG THE SWING WITHOUT READING AND FOLLOWING THE INSTRUCTIONS ON THIS CARD.**

WARNING! Be sure the chain manufacturer’s instructions are followed when installing the lag swing hangers. The lag swing hangers should only be used with a 1/4” pilot hole drilled to a depth of 1-1/2” as described in the chain manufacturer’s installation instructions. Be sure to completely tighten lag swing hangers 1/4” past the last thread by using a screwdriver through the triangular shaped top section. Applying bar soap or wax on the threads can make installation easier. Turn the lag swing hangers so that the hook swings in the same direction as the swing.

INSTALL LAG SWING HANGERS SO THAT THEY ARE AS CLOSE TO PERPENDICULAR TO THE SWING BEAM AS POSSIBLE. MAKE SURE THE LAG SWING HANGERS ARE INSTALLED IN A SOUND WOOD BEAM THAT WILL SUPPORT 4 TIMES ITS INTENDED LOAD CAPACITY. NEVER USE PLAIN “EYE” BOLTS FROM THE HARDWARE STORE TO SUPPORT A SWING AS THESE BOLTS DO NOT HAVE A BEARING TO REDUCE FRICTION ON THE CHAIN AS IT MOVES. USING A PLAIN “EYE” BOLT COULD CAUSE THE CHAIN TO WEAR AND FAIL CAUSING SERIOUS INJURY. THE HOOK OF THE LAG SWING HANGER SHOULD BE CLOSED SHUT AFTER THE HEIGHT OF THE SWING HAS BEEN DETERMINED.

WARNING!

- **Inspect each loop of chain before using. Each loop should be securely wrapped around the center wire. If it is not, call the number on the chain warning tag to obtain a replacement chain.**
- **Bolts on the swing should be checked often and tightened as needed.**
- **Be sure both short and medium chains are seated in the bottom of the “s-hook” and that the chain is not twisted before using. If twisting is found then remove the chain from the quick link and untwist the chain; then reinstall in the quick link.**
- **Never stand or allow children to stand in this swing! Do not allow anyone under or behind the swing when it is in motion.**
- **Weight Capacity: 200 lbs**
- **FOR RESIDENTIAL USE ONLY! NOT FOR USE AS A STORE DISPLAY.**
- **When disposing swing DO NOT BURN. Dispose of in a landfill.**

Limited Manufacturers Warranty

The “seller” warrants this product to be free from defects in workmanship and materials, under normal use and conditions at its original installation, for one year.

Cosmetic defects or natural defects of wood (e.g., warping, seasonal checking or cracking, knots, or knot holes, etc.) that do not affect the structural integrity of the product are not covered by this warranty. Defects that develop because the product is exposed to extreme climate conditions, excessive water exposure, lumber that has been damaged by wood boring bees, or defects that develop as a result of faulty or improper installation of the product, are not covered by this warranty. Fading or discoloration or molding of any wood parts are not considered defects in material as long as they do not affect the functionality or structural integrity of the part or component.

It is the owner’s responsibility to properly maintain the product. Imperfections or defects that develop because of a failure to properly maintain the play set are not covered by this warranty.

The “seller” will repair or, at its discretion, replace any part within the stated warranty period that is defective in workmanship or materials. This decision is subject to verification of the defect, which, at the “seller’s” discretion, may be accomplished by submitting photographs or by delivery of the defective part to the “seller”. Any warranty claim must include proof of purchase, including the date of purchase. In addition, within the first 30 days from the date of purchase, the “seller” will replace any parts discovered to be missing from or damaged in the original packaging.

This warranty is valid only if the product is used for the purpose for which it was designed and installed at a residential, single-family dwelling. This warranty is void if the product is used in a commercial or institutional setting. This warranty does not cover (a) products that have been damaged by acts of God, negligence, misuse, or accident, or that have been modified or repaired by unauthorized persons; (b) the cost of labor; or (c) the cost of shipping the product, any part, or any replacement product or part.

The “seller” DISCLAIMS ALL OTHER REPRESENTATIONS AND WARRANTIES OF ANY KIND, EXPRESS, IMPLIED, STATUTORY, OR OTHERWISE, INCLUDING THE IMPLIED WARRANTIES OF MERCHANTABILITY AND FITNESS FOR A PARTICULAR PURPOSE. PLAYNATION WILL NOT BE LIABLE FOR ANY INCIDENTAL OR CONSEQUENTIAL DAMAGES. This warranty is valid only in the United States of America, is nontransferable and does not extend to the owners of the product subsequent to the original purchaser. Some states do not allow limitations on implied warranties or exclusion of incidental or consequential damages, so these restrictions may not be applicable to you. This warranty gives you specific legal rights. You may also have other rights which vary from state to state.

Important Safety Guidelines

This product is intended for residential use only and not intended for use in any public setting. A safety surface such as mulch or recycled tire should be used under the product to prevent injury from falls.

As with any home project, good judgment and respect for power tools will greatly reduce the risk of injury. We recommend you follow all tool manufacturers' safety guidelines. Always wear eye protection and safety gloves to prevent injury. While this swing is being constructed, please keep children away until the project is complete. Bolts and screw heads should be checked regularly for tightness.

The "seller" shall not be liable for incidental, indirect or consequential damages or injuries that result from the building and/or playing on this product. Adult supervision is recommended anytime this product is being used.

THE WEIGHT LIMIT FOR THIS PRODUCT IS 200 LBS

The weight limit must for this swing must not be exceeded. Failure to adhere to these and other safety guidelines could result in damage to the swing and injury to the user.

NOTE: Your children's safety is our #1 concern. Observing the following statements and warnings reduces the likelihood of serious or fatal injury. Please review these safety rules regularly with your children.

- On-site adult supervision is required.
- Teach children not to walk close to, in front of, behind, or between moving swings or other moving playground equipment.
- Teach children to sit in and never stand on swings.
- Teach children not to twist the chains and ropes and not to loop them over the swing beam, since this may reduce the strength of the chain or rope.
- Teach children not to jump from swings or other playground equipment in motion.
- Teach children not to push empty seats. The seat may hit them and cause serious injury.
- Teach children to sit in the center of the swings with their full weight on the seats.
- Teach children not to use the equipment in a manner other than intended.
- Parents should have children dress appropriately with well-fitting shoes. Loose clothing such as scarves and ponchos should not be worn. Always take off, tie up or tuck in cords and drawstrings on children's clothing. These things can get caught on playground equipment and strangle a child.
- Verify that any suspended climbing ropes, chains, or cables are secured at both ends.
- Teach children not to attach items to the playground equipment that are not specifically designed for use with the equipment, such as, but not limited to, jump ropes, clothesline, pet leashes, cables and chain as they may cause a strangulation hazard.
- Teach children to never wrap their legs around swing chain.
- Teach children to never slide down the swing chain.

WARNING: Children must NOT use this product until unit has been completely assembled and inspected by an adult.

Important Safety Guidelines (Continued)

This product should be inspected on a regular basis. If any of the following conditions are noted, they should be removed, corrected, or repaired immediately to prevent injuries:

- Hardware that is loose, worn or that has protrusions or projections.
- Scattered debris, litter, rocks, or tree roots.
- Splinters, large cracks, and decayed wood components.
- Deterioration and corrosion on structural components.
- Missing or damaged equipment components.
- Check all nuts and bolts frequently during the usage season and tighten as required. (But not so tight that you crack the wood)
- Oil all metallic moving parts monthly during the usage period.
- Check all coverings for bolts and sharp edges twice monthly during usage season to be certain they are in place. Replace when necessary. It is especially important to do this at the beginning of each new season.
- Check swing seat and chains monthly during usage season for evidence of deterioration. Replacement should be made of any item if excessive wear is found. Contact the “seller” for warranted replacement parts.
- Inspect wood parts monthly. The grain of the wood sometimes will lift in the dry season causing splinters to appear. Light sanding may be necessary to maintain a safe playing environment. If you are treating your product with stain regularly, it will help prevent severe checking/splitting and other weather damage.
- Once or twice a year, depending on your climate conditions, you must apply some type of protection (sealant) to the wood of your product. Prior to the application of sealant, lightly sand any “rough” spots on your set. Please note this is a requirement of your warranty.
- The swing area should be free from obstacles such as yard toys, etc. when in use.
- The swing should have a fall zone extending a minimum of 6' from the outer edge of the support structure on each side. A “fall zone” in front and back of the swing should extend out a minimum distance of twice the height of the swing as measured from the ground to the top of the swing support structure.

Play Set Surfacing Recommendations:

Below are some of the recommendations that the U.S. Consumer Product Safety Commission (CPSC) offers from its *Handbook for Public Playground Safety*. The guide can be downloaded in full at www.cpsc.gov/s3fs-public/325.pdf

1. Protective Surfacing - Since almost 60% of all injuries are caused by falls to the ground, protective surfacing under and around all playground equipment is the most critical safety factor on playgrounds.

Certain manufactured synthetic surfaces also are acceptable; however, test data on shock absorbing performance should be requested from the manufacturer.

Asphalt and concrete are unacceptable. They do not have any shock absorbing properties. Similarly, grass and turf should not be used. Their ability to absorb shock during a fall can be reduced considerably through wear and environmental conditions.

Certain loose-fill surfacing materials are acceptable such as the types and depths shown in the table.

Fall Heights and Recommended Materials

Type Of Material	6 in. depth	9 in. depth	12 in. depth
Double-Shredded bark mulch	6' Fall Height	10' Fall Height	11' Fall Height
Wood Chips	6' Fall Height	7' Fall Height	12' Fall Height
Fine Sand	5' Fall Height	5' Fall Height	9' Fall Height
Shredded Tires*	10-12' Fall Height	n/a	n/a
Fine Gravel	6' Fall Height	7' Fall Height	10' Fall Height

*This data is from tests conducted by independent testing laboratories on a 6-inch depth of uncompressed shredded tire samples produced by four manufacturers. The tests reported critical heights, which varied from 10 feet to greater than 12 feet. It is recommended that persons seeking to install shredded tires as a protective surface request test data from the supplier showing the critical height of the material when it was tested in accordance with ASTM F1292.

It should be recognized that all injuries due to falls cannot be prevented no matter what surfacing material is used.

REQUIRED TOOL LIST:

- ___ 10mm Box End Wrench or Adjustable Wrench
- ___ 9/16" Wrench
- ___ 7/16" Box End Wrench or 7/16" Closed end wrench (12 point).
- ___ Locking Pliers (Vise Grips) may be required
- ___ Screwdriver (Flat or Phillips for holding eyebolts when tightening nuts)
- ___ Soap, Wax or Beeswax **if installing the included Lag Swing Hangers.**
- ___ 1/4" drill bit **if installing the included Lag Swing Hangers.**
- ___ Cordless or electric drill **if installing the included Lag Swing Hangers.**
- ___ Extension Cord if using electric drill
- ___ Pencil **if installing the included Lag Swing Hangers**

KIT CONTENTS:

Swings, Slides, Accessories:

- ___ (Qty) Description
- ___ (1) Back Assembly
- ___ (1) Seat Assembly
- ___ (2) Chain Assemblies with s-hook and short, medium, long chains--All in a bag with
(2) Lag Swing Hangers (also called ceiling hooks).
- ___ (2) Arm Rest
- ___ (2) Arm Rest Support
- ___ (1) Hardware Bag

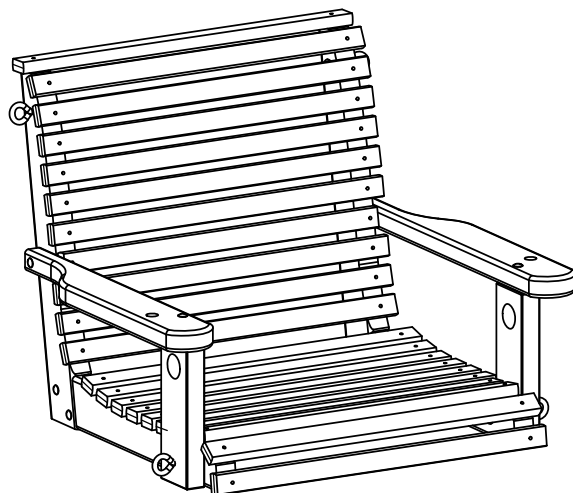
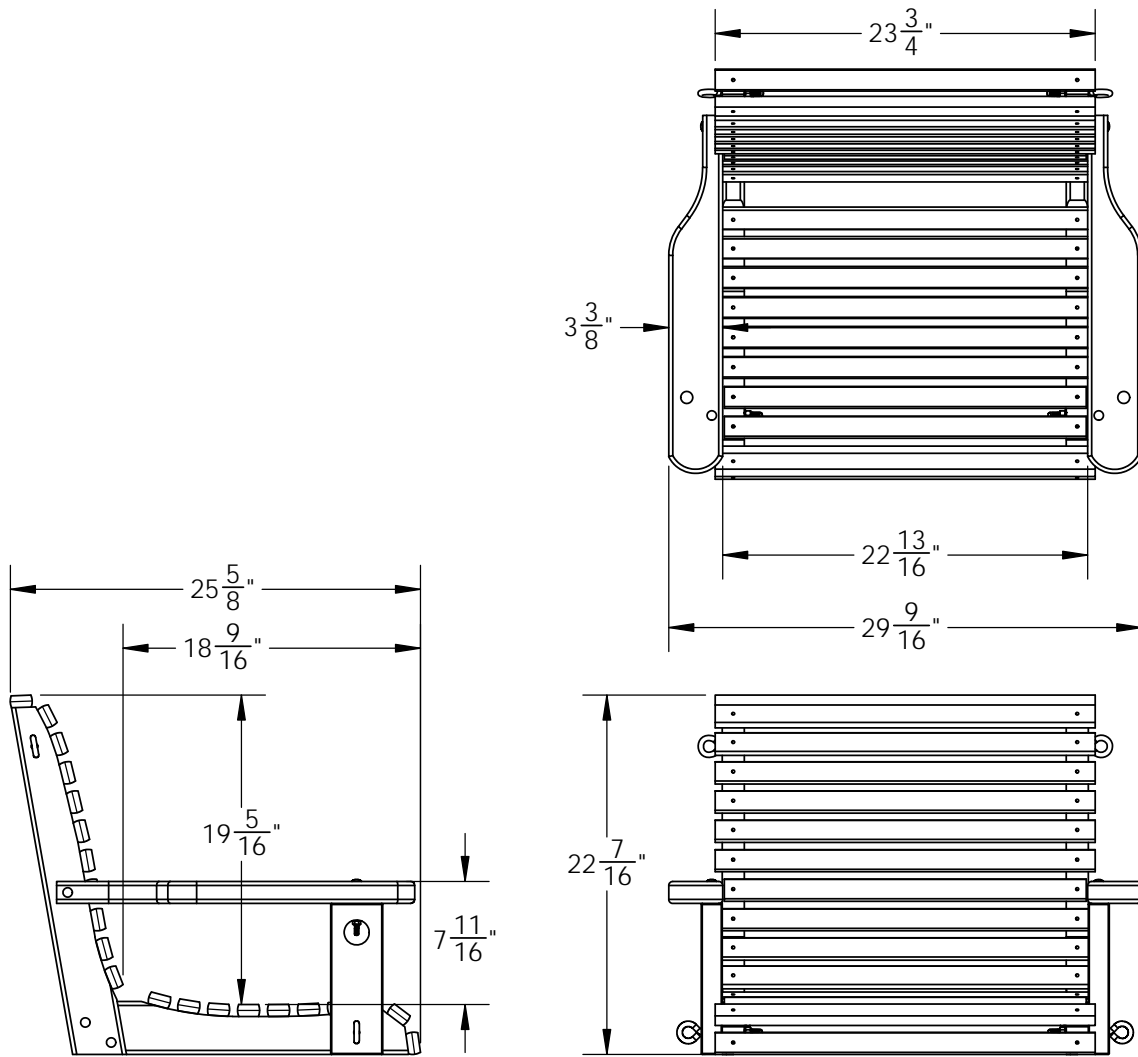
Hardware List:

see following pages

Wood Components List:

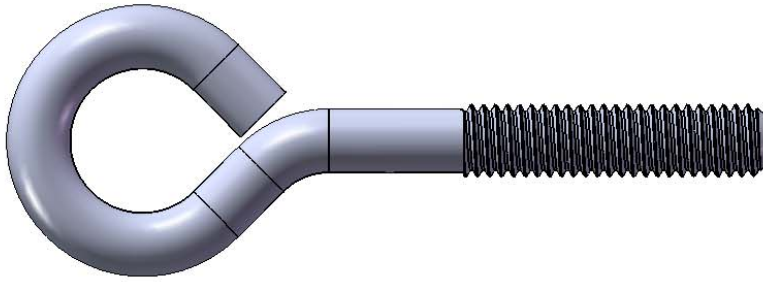
see following pages

04-0019 Babysitter Swing Dimensions

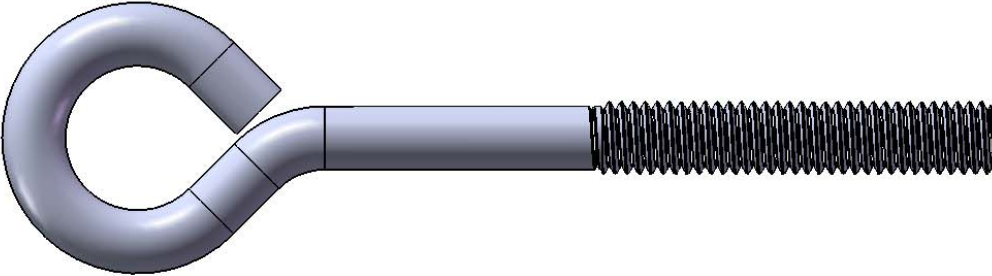


Babysitter Swing Hardware
 REV A: 7/21/2016 JH

3/8" X 4"
 EYE BOLT
 QTY: 2



3/8" X 5"
 EYE BOLT
 QTY: 2



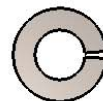
1/4" X 2"
 CARRIAGE BOLT
 QTY: 4



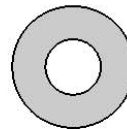
1/4" X 3"
 CARRIAGE BOLT
 QTY: 4



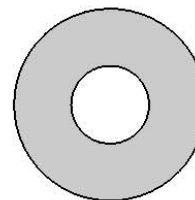
1/4" LOCK
 WASHER
 QTY: 8



1/4" WASHER
 QTY: 8



3/8" WASHER
 QTY: 8



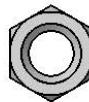
1/4" PLASTIC CAP
 QTY: 8



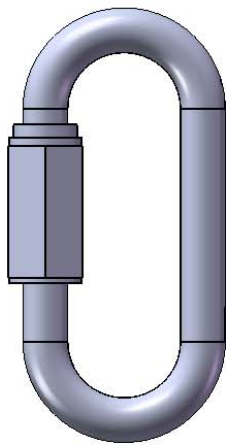
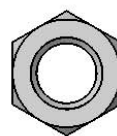
3/8" PLASTIC CAP
 QTY: 4



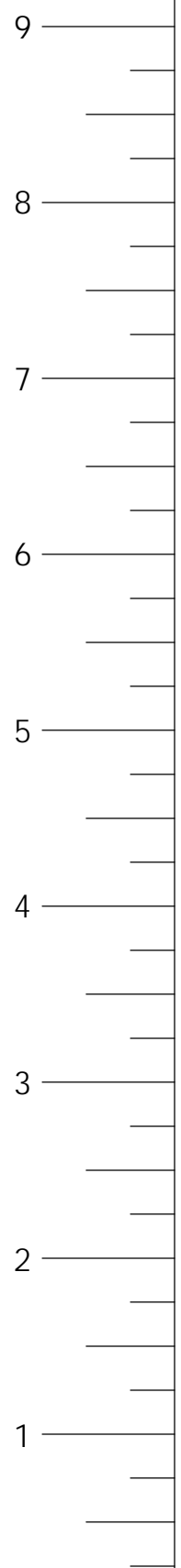
1/4" HEX NUT
 (STANDARD)
 QTY: 8



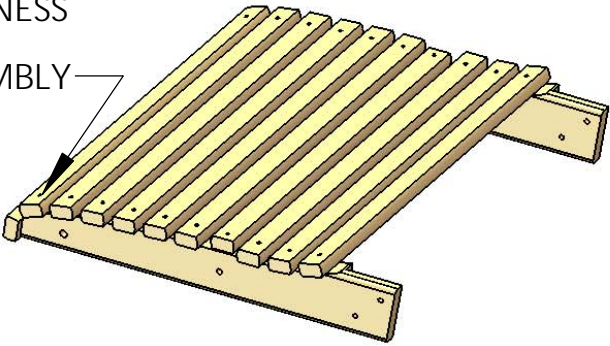
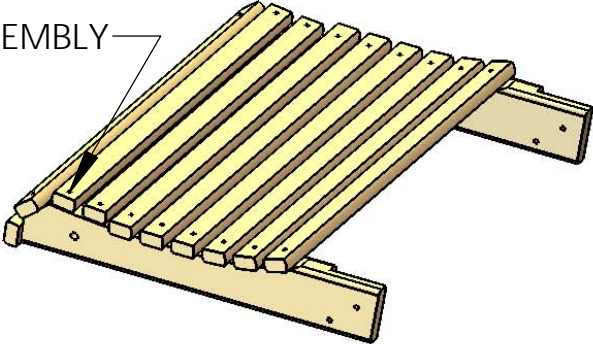
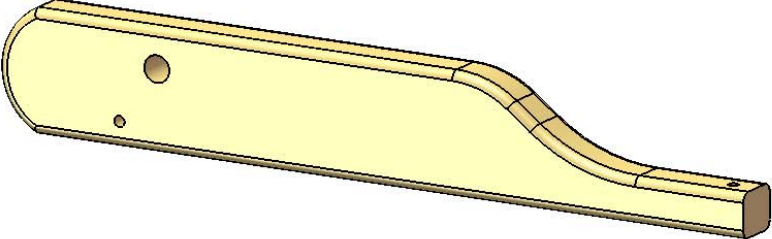
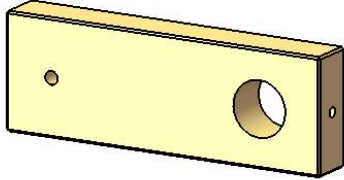
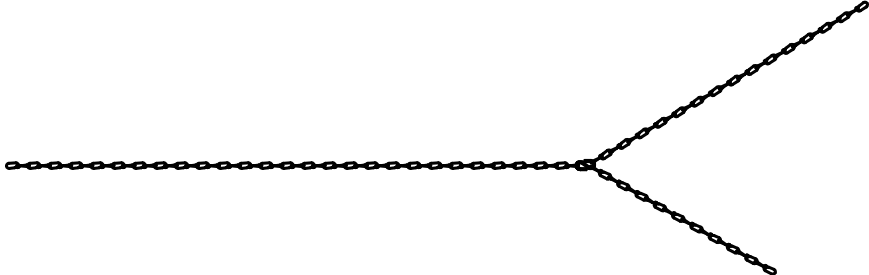
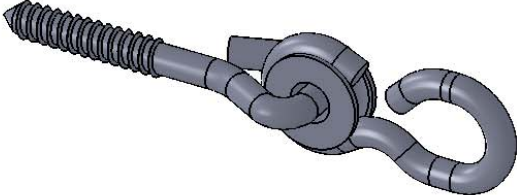
3/8" LOCK NUT
 QTY: 4



CHAIN QUICK
 LINK
 QTY: 4



USE THE RULER TO THE RIGHT TO MEASURE YOUR BOLTS AND SCREWS. PICTURE VIEWS SHOWN ABOVE ARE 1:1 SCALE AND CAN BE USED TO MATCH BOLT AND SCREW SIZES.

PICTURE	DESCRIPTION	QTY.
<p>CHECK TIGHTNESS OF SCREWS BEFORE ASSEMBLY</p> 	<p>BACK (4 HOLES IN SIDES)</p>	<p>1</p>
<p>CHECK TIGHTNESS OF SCREWS BEFORE ASSEMBLY</p> 	<p>SEAT (3 HOLES IN SIDES)</p>	<p>1</p>
	<p>ARMREST</p>	<p>2</p>
	<p>ARMREST SUPPORT</p>	<p>2</p>
	<p>CHAIN ASSEMBLIES (IN BAG)</p>	<p>2</p>
	<p>LAG SWING HANGER (CEILING HOOK) (IN CHAIN BAG)</p>	<p>2</p>

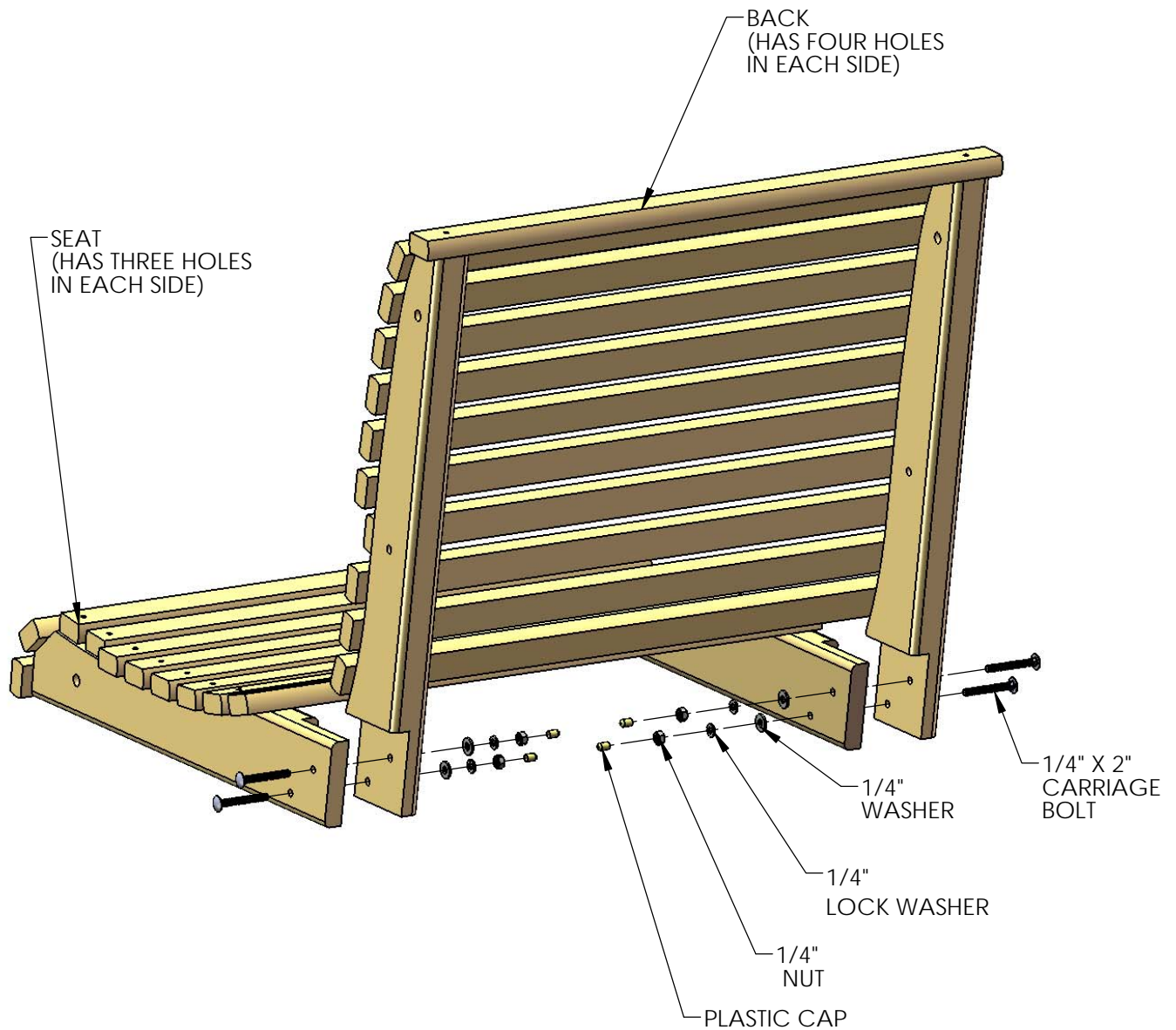
STEP 1: SEAT TO BACK ASSEMBLY

1: LINE UP THE HOLES IN THE BACK WITH THE HOLES IN THE SEAT.

2: PLACE A 1/4" X 2" CARRIAGE BOLT INTO EACH HOLE AND SET IT WITH A HAMMER.

3: FASTEN THE BACK TO THE SEAT WITH 1/4" WASHERS, 1/4" LOCK WASHERS AND 1/4" NUTS. USE THE SMALL PLASTIC CAPS INCLUDED TO COVER THE EXPOSED THREADS ON THE ENDS OF THE CARRIAGE BOLTS.

*IF FOR SOME REASON THE CARRIAGE BOLTS SPIN IN THE HOLES USE A PAIR OF LOCKING PLIERS (VISE GRIPS) TO HOLD THE HEAD OF THE CARRIAGE BOLT WHILE TIGHTENING THE NUTS.



STEP 2: ARMREST ASSEMBLIES

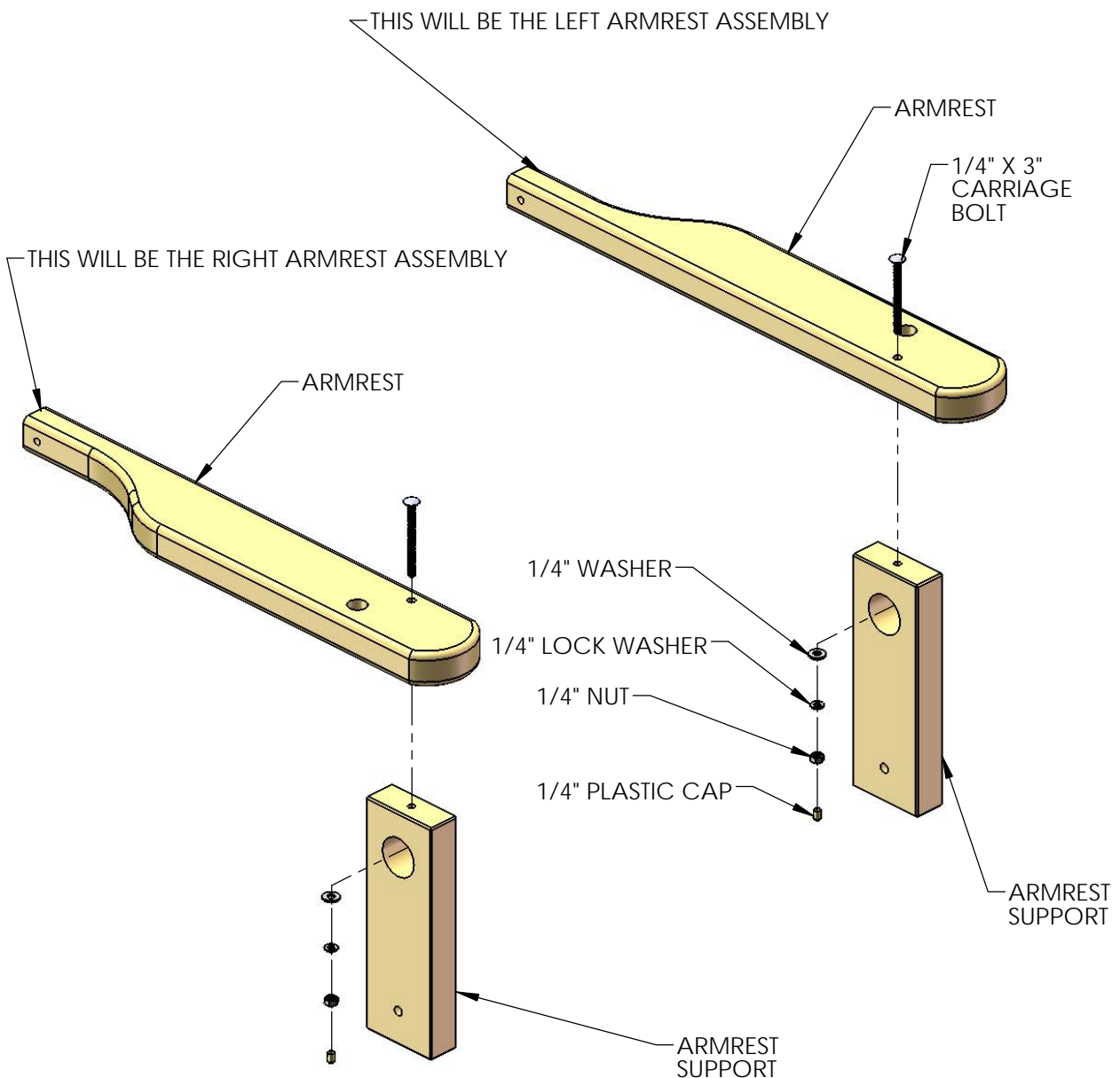
1: LINE UP THE SMALL HOLE IN EACH ARMREST WITH THE SMALL HOLE IN THE ARMREST SUPPORT.

2: PLACE A 1/4" X 3" CARRIAGE BOLT INTO THE HOLE IN THE ARMREST AND SET IT WITH A HAMMER.

3: FASTEN THE ARMREST TO THE ARMREST SUPPORT WITH 1/4" WASHERS, 1/4" LOCK WASHERS AND 1/4" NUTS. YOU WILL HAVE TO USE A 7/16" BOX END WRENCH IN THE BIG HOLE OF THE ARMREST SUPPORT TO TIGHTEN THE NUTS*.

4: PLACE A PLASTIC CAP OVER THE END OF THE EXPOSED THREADS ON THE END OF THE CARRIAGE BOLT.

* IF FOR SOME REASON THE CARRIAGE BOLTS SPIN IN THE HOLES USE A PAIR OF LOCKING PLIERS (VISE GRIPS) TO HOLD THE HEAD OF THE CARRIAGE BOLT WHILE TIGHTENING THE NUTS.



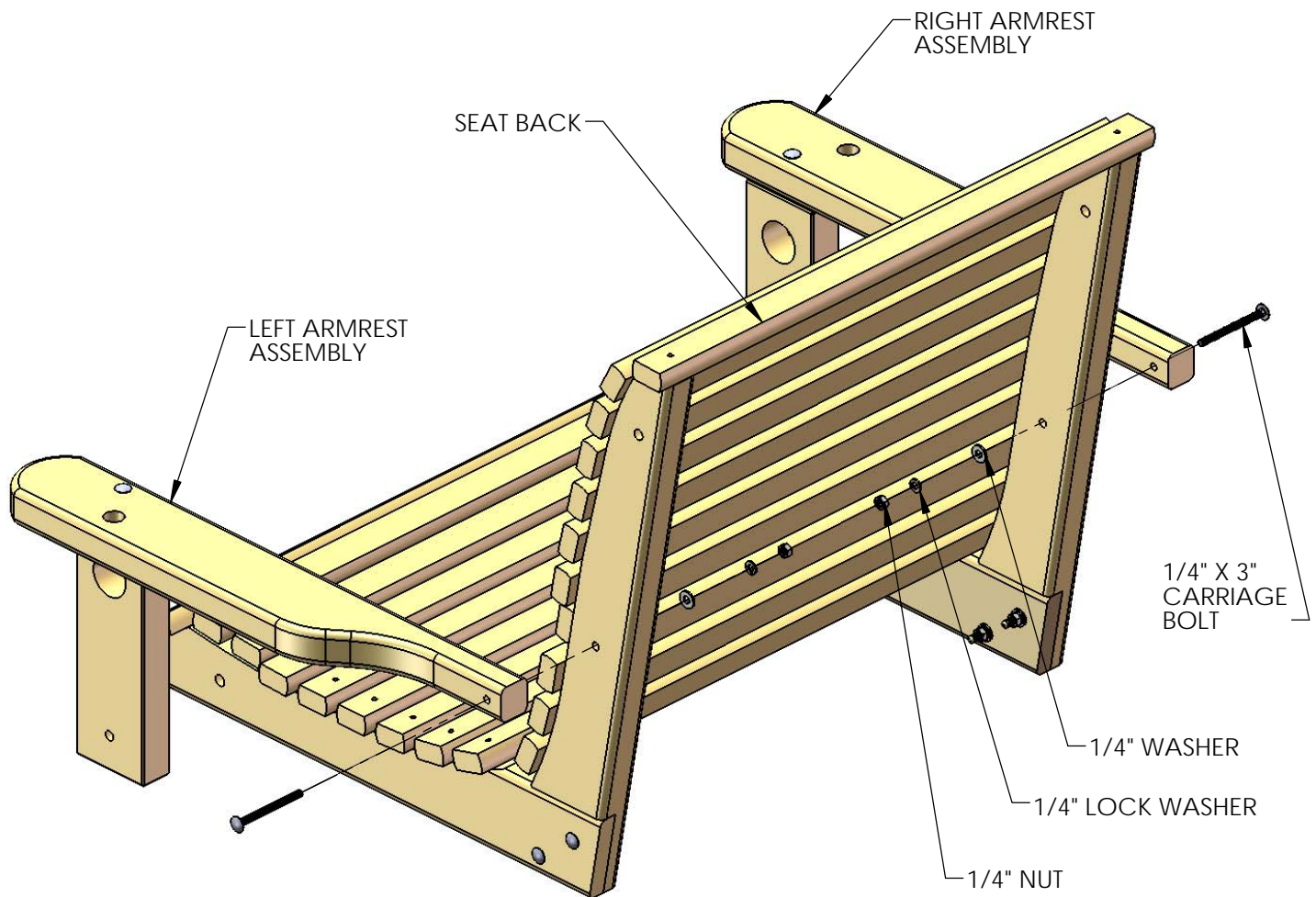
STEP 3: ARMREST ASSEMBLIES TO SEAT BACK

1: LINE UP THE END HOLE IN THE ARMREST WITH THE MIDDLE HOLE IN THE SEAT BACK.

2: PLACE A CARRIAGE BOLT INTO THE END HOLE OF THE ARMREST AND SET IT WITH A HAMMER.

3: FASTEN THE ARMREST TO THE SEAT BACK WITH A 1/4" WASHER, A 1/4" LOCK WASHER AND A 1/4" NUT*.

* IF FOR SOME REASON THE CARRIAGE BOLT SPINS IN THE HOLE USE A PAIR OF LOCKING PLIERS (VISE GRIPS) TO HOLD THE HEAD OF THE CARRIAGE BOLT WHEN TIGHTENING THE NUT.



STEP 4: EYEBOLTS

1: PLACE A 3/8" X 4" EYE BOLT THROUGH A 3/8" WASHER AND THEN THROUGH THE HOLE IN THE UPPER PART OF THE SEAT BACK.

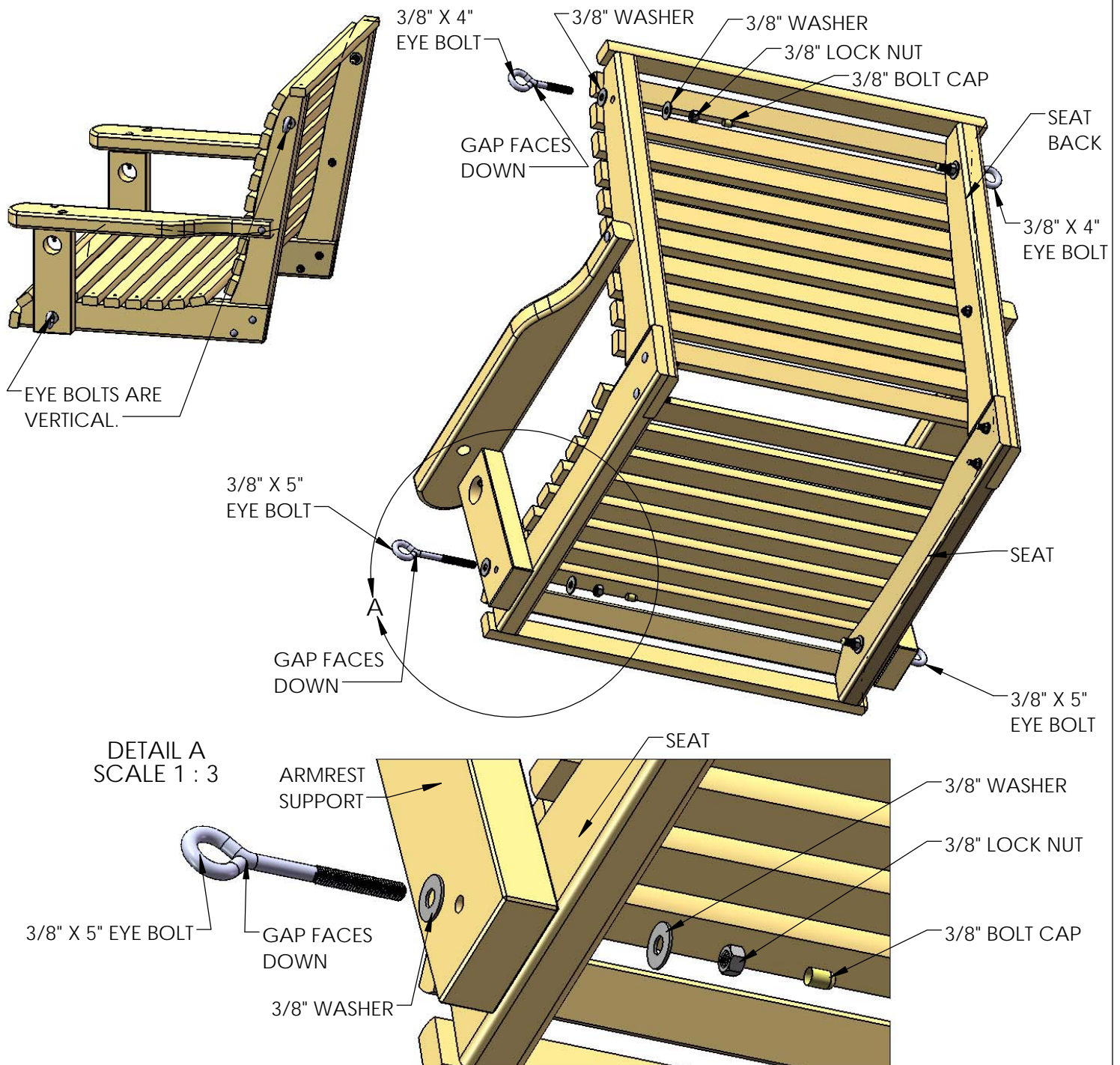
2: MAKE SURE THE GAP IN THE EYE BOLT FACES DOWN.

3: PLACE A 3/8" WASHER AND A 3/8" LOCK NUT OVER THE END OF THE EYE BOLT AND TIGHTEN. DO NOT TIGHTEN THE BOLT SO TIGHTLY THAT YOU CRACK THE WOOD.

4: PLACE A 3/8" X 5" EYE BOLT THROUGH A 3/8" WASHER AND THEN THROUGH THE ARMREST SUPPORT AND THROUGH THE SEAT.

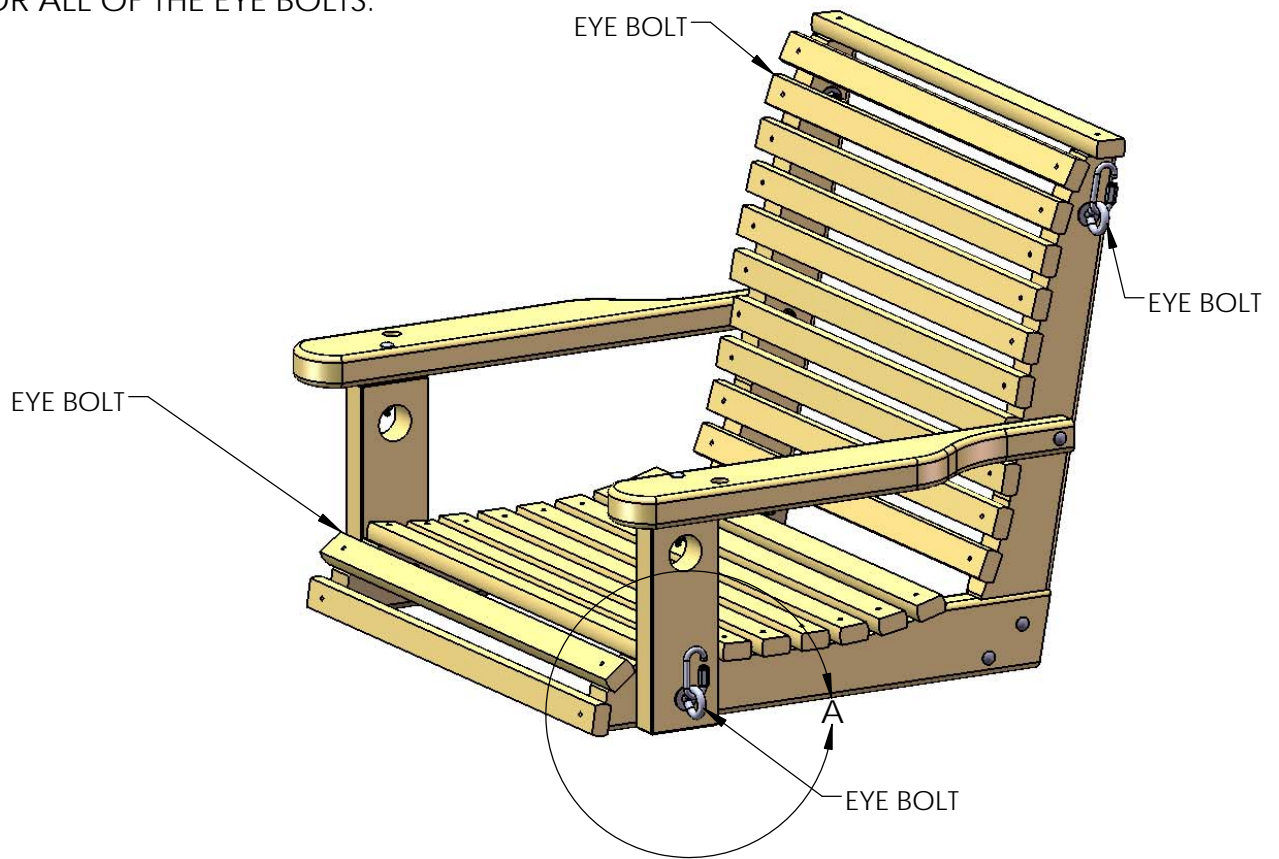
5: MAKE SURE THE GAP IN THE EYE BOLT FACES DOWN.

6: PLACE A 3/8" WASHER AND A 3/8" LOCK NUT OVER THE END OF THE EYE BOLT AND TIGHTEN. DO NOT TIGHTEN THE BOLT SO TIGHTLY THAT YOU CRACK THE WOOD.

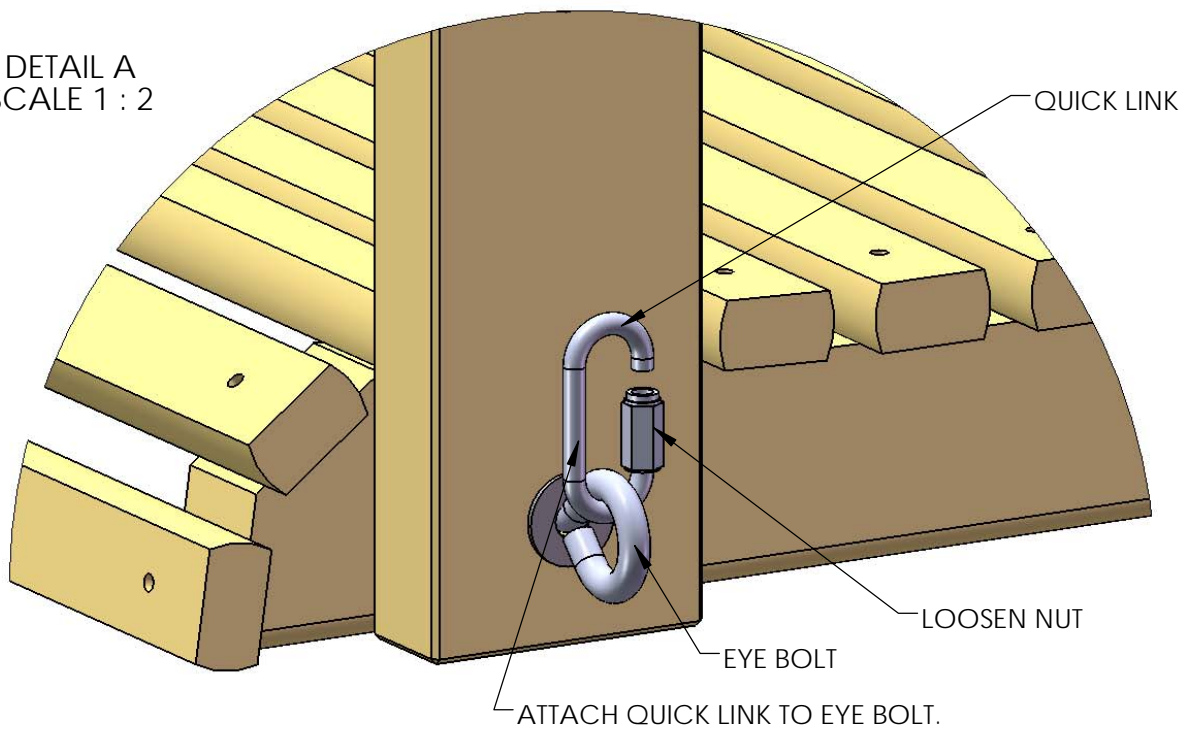


STEP 5: QUICK LINKS

- 1: LOCATE FOUR OF THE QUICK LINKS AS SHOWN.
- 2: LOOSEN THE NUT ON THE QUICK LINK AND ATTACH IT TO THE EYE BOLT.
- 3: REPEAT FOR ALL OF THE EYE BOLTS.



DETAIL A
SCALE 1 : 2

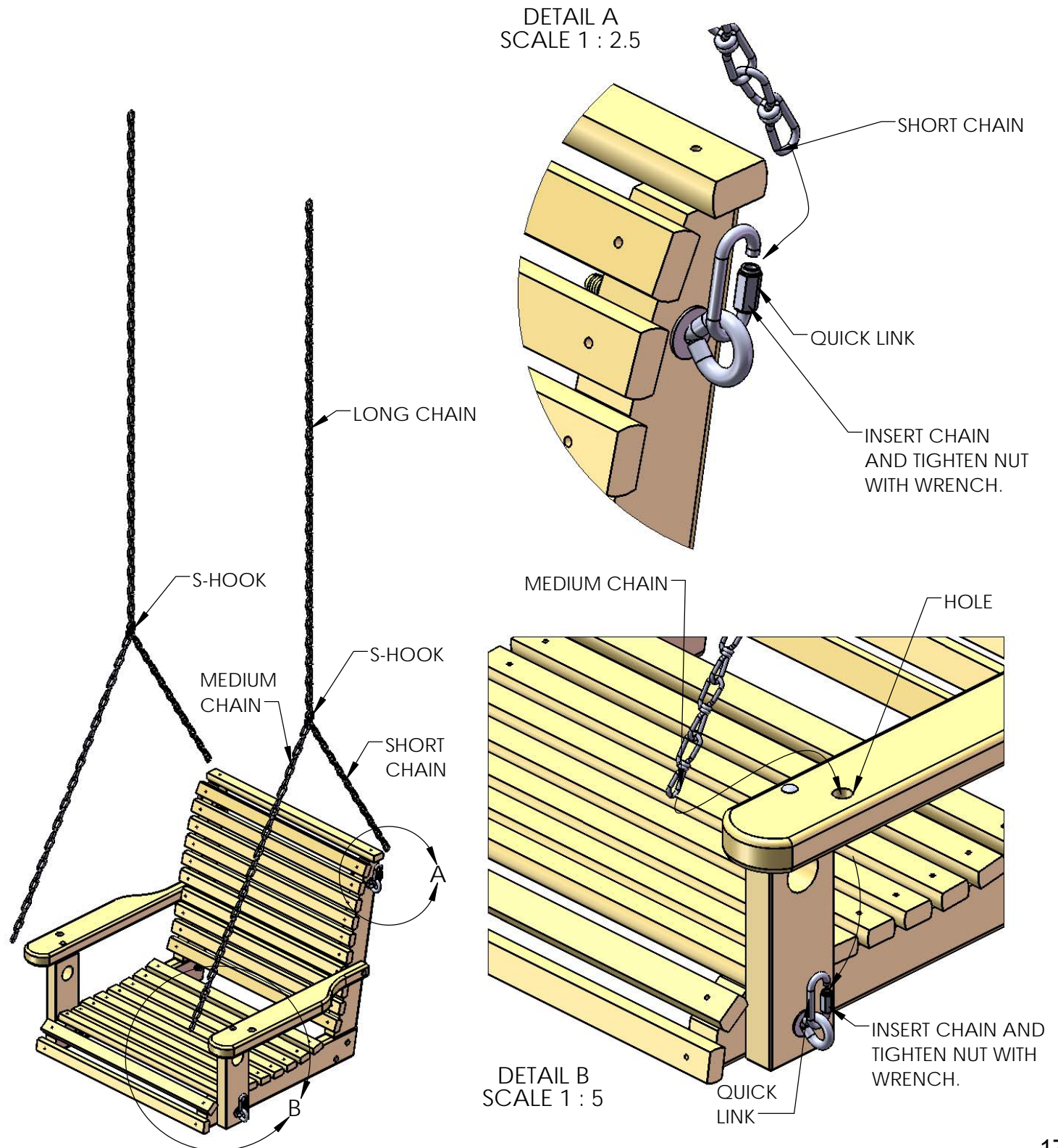


STEP 6: CHAINS

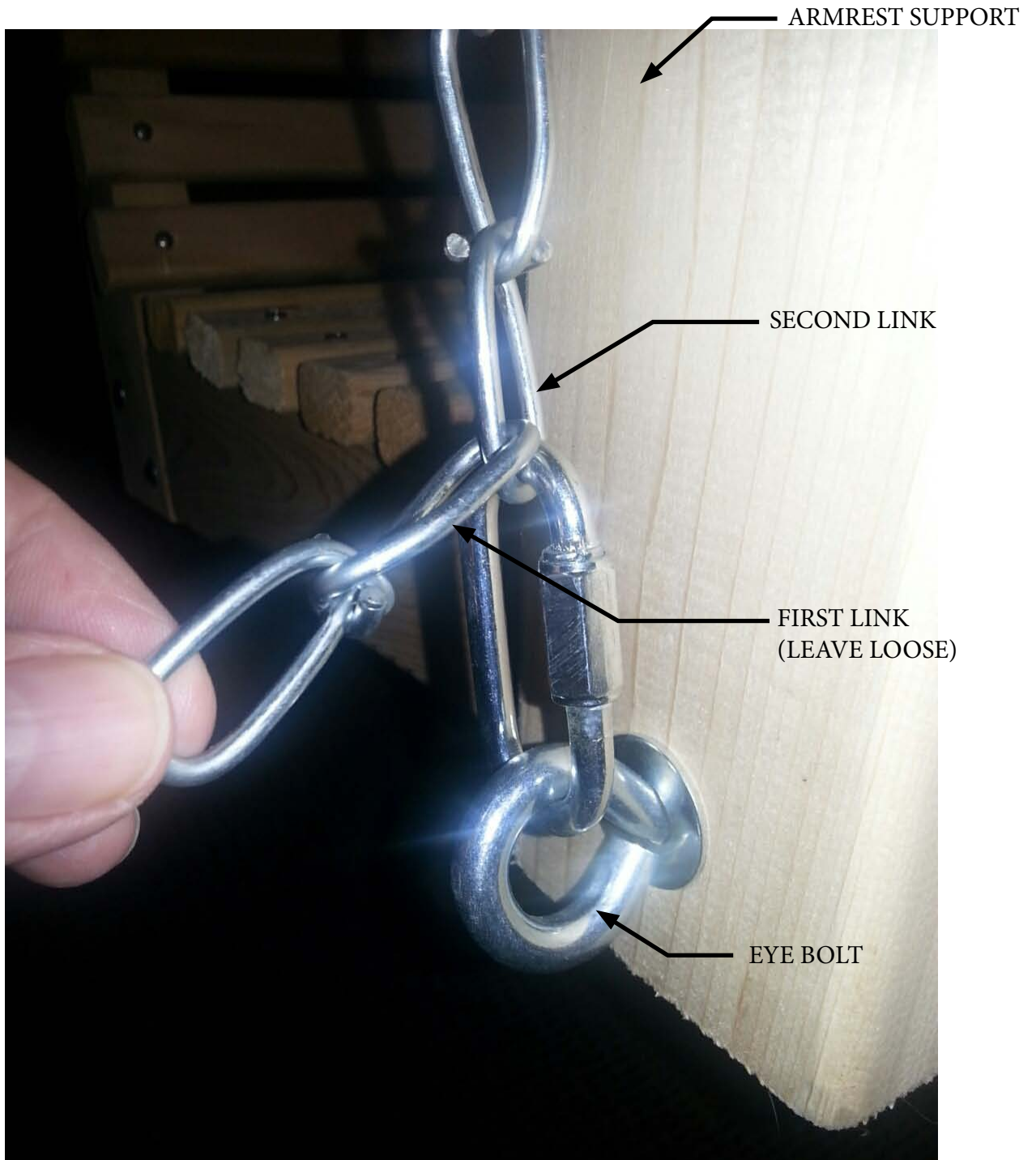
1: FASTEN THE SHORT CHAIN TO THE QUICK LINK ON THE SEAT BACK. TIGHTEN THE NUT ON THE QUICK LINK WITH A WRENCH.

2: INSERT THE MEDIUM CHAIN THROUGH THE HOLE IN THE ARMREST. MAKE SURE THE CHAIN IS NOT TWISTED NEAR THE "S"-HOOK. ALSO MAKE SURE THE MEDIUM AND SHORT CHAINS ARE NOT TWISTED. CONNECT THE END OF THE MEDIUM CHAIN TO THE QUICK LINK IN THE SEAT. TIGHTEN THE NUT ON THE QUICK LINK WITH A WRENCH.

3: REPEAT SUBSTEPS 1 THROUGH 2 FOR THE CHAIN ON THE OTHER SIDE OF THE SWING.



In order to achieve the proper tilt to the seat leave one chain link loose at the end of each of the armrest eye-bolts.



STEP 7: SWING HANGING METHODS

1: LAG SWING HANGERS ARE INCLUDED WITH THE BABYSITTER SWING. IF YOU HAVE AN EXISTING BEAM WITH NO SWING HANGERS THEN YOU MAY USE THE LAG SWING HANGERS TO HANG YOUR SWING. FOLLOW THE DIRECTIONS INCLUDED IN THE BAG WITH THE LAG SWING HANGERS TO MOUNT THEM. THE HOOKS MUST SWING IN THE SAME DIRECTION AS THE SWING TO WORK PROPERLY.

