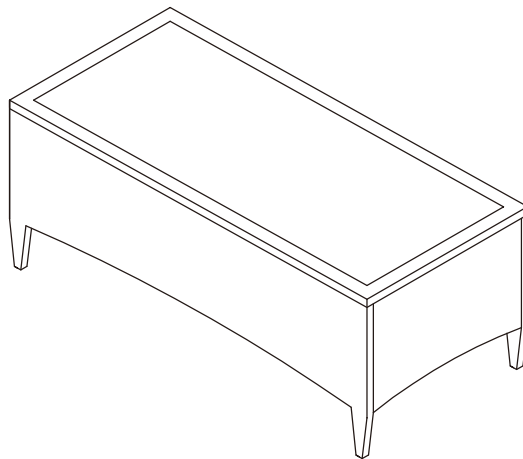
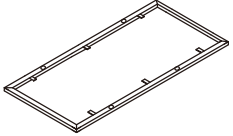
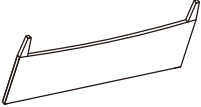
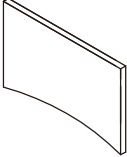
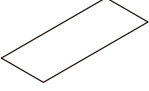





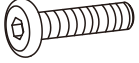


Outdoor Wicker Glass Top Table
CO7209



PART LIST

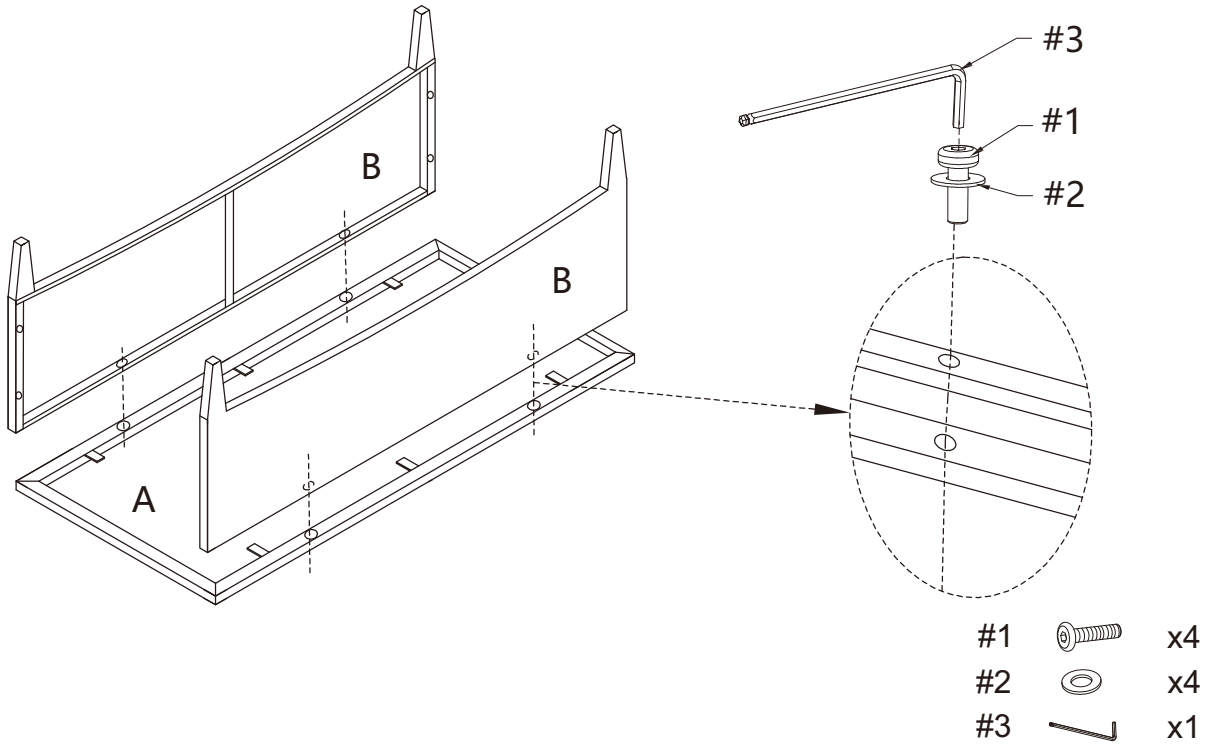
A 	B 	C 	D 	E 
Top Panel 1 PC	Side Panel 2 PCS	End Panel 2 PCS	Glass Top 1 PC	Inner Top Panel 1 PC

HARDWARE LIST

#1 	#2 	#3 
M6*30mm Short Bolt 12 PCS (Extra 3)	M6mm Flat Washer 12 PCS (Extra 3)	M6mm Allen Wrench 1 PC

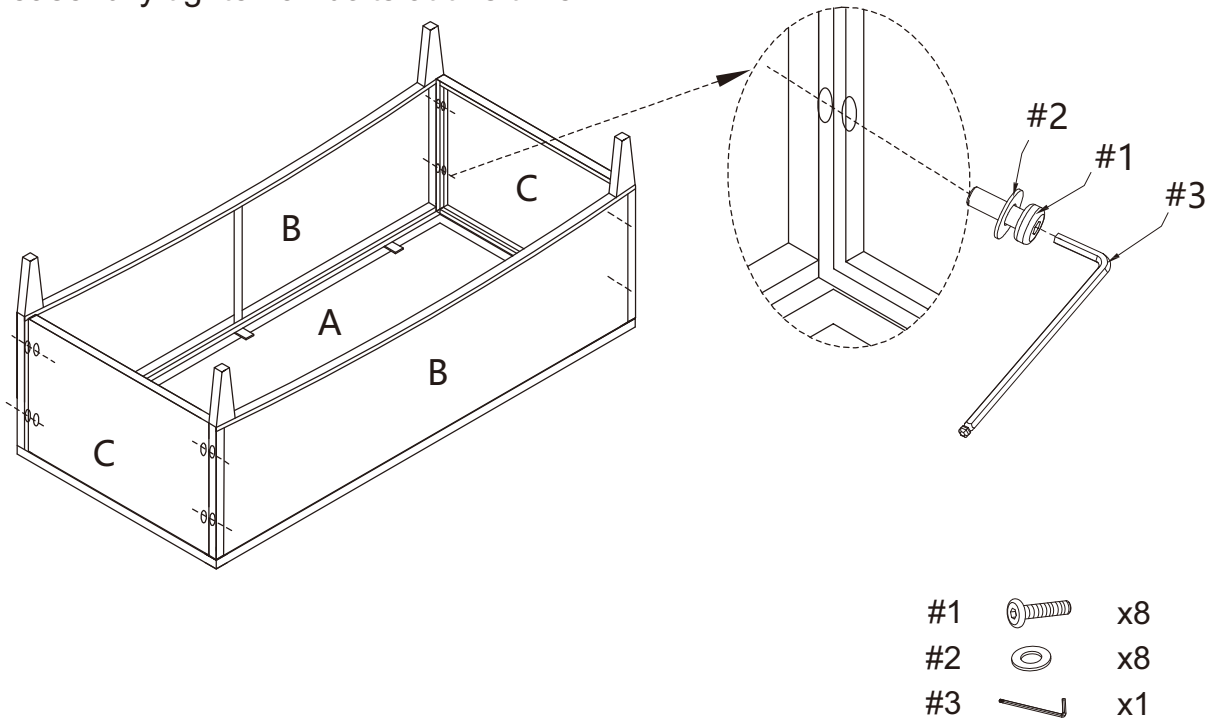
Step 1. Lay top panel (part A) down on a soft flat surface, such as carpet, as shown below. Attach side panels (part B) to top panel (part A) using bolts (part #1), flat washers (part #2) and allen wrench (part #3).

NOTE: Please do not fully tighten bolts until unit is fully assembled.



Step 2. Attach end panels (part C) to top panel (part A) and side panels (part B) using bolts (part #1), flat washers (part #2) and allen wrench (part #3).

NOTE: Please fully tighten all bolts at this time.



Step 3. Turn the table upright. Place inner top panel (part E) and glass top (part D) on the table.

