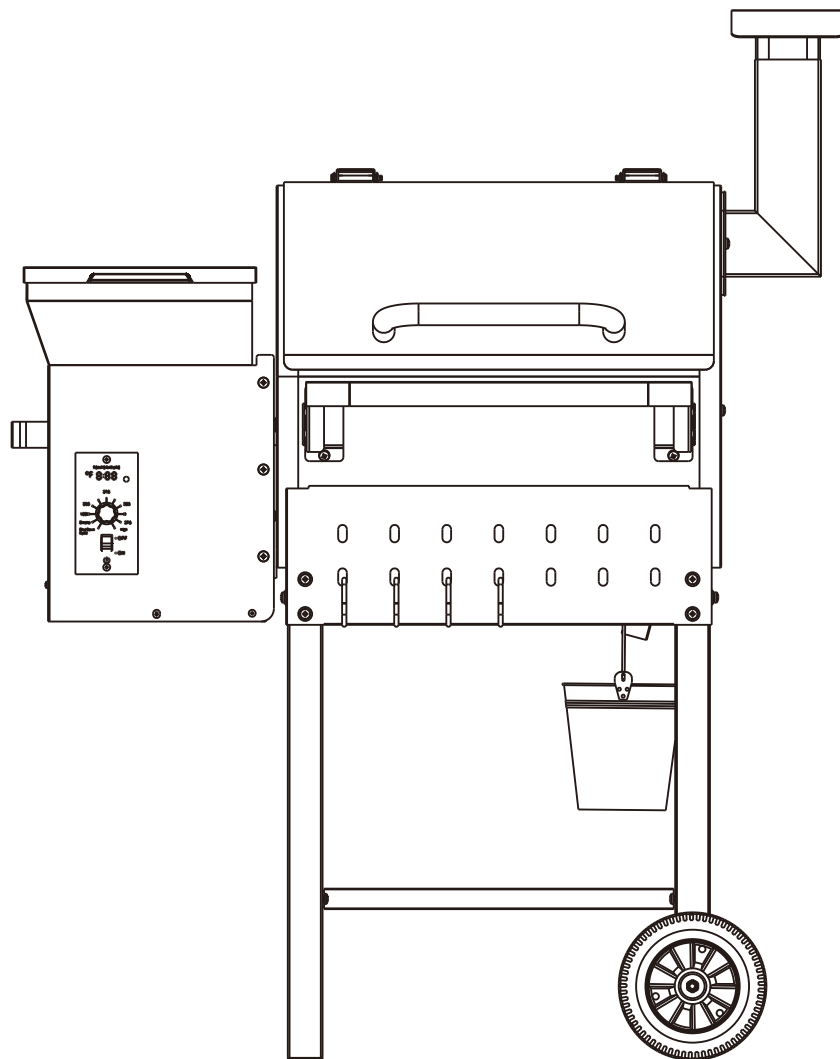


# WOOD PELLET GRILLS

# OWNER'S MANUAL

MODEL: MS-P01-510A



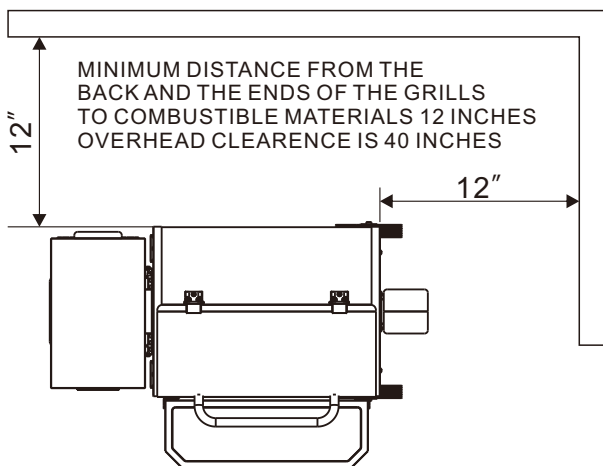
Please read this entire manual before assembly, installation of your Pellet Grill. Failure to follow these instructions could result in property damage, bodily injury or even death. Contact your local building or fire official about restrictions and installation Inspection requirements in your area.

**SAVE THESE INSTRUCTIONS**

A MAJOR CAUSE OF FIRES IS FAILURE TO MAINTAIN REQUIRED CLEATENCES (AIR SPACES) TO CAOMBUSTIBLES MATERIALS. IT IS OF UTMOST IMPORTANCE THAT THIS PRODUCT BE INSTALLED ONLY IN ACCORDANCE WITH THESE INSTRUCTIONS.



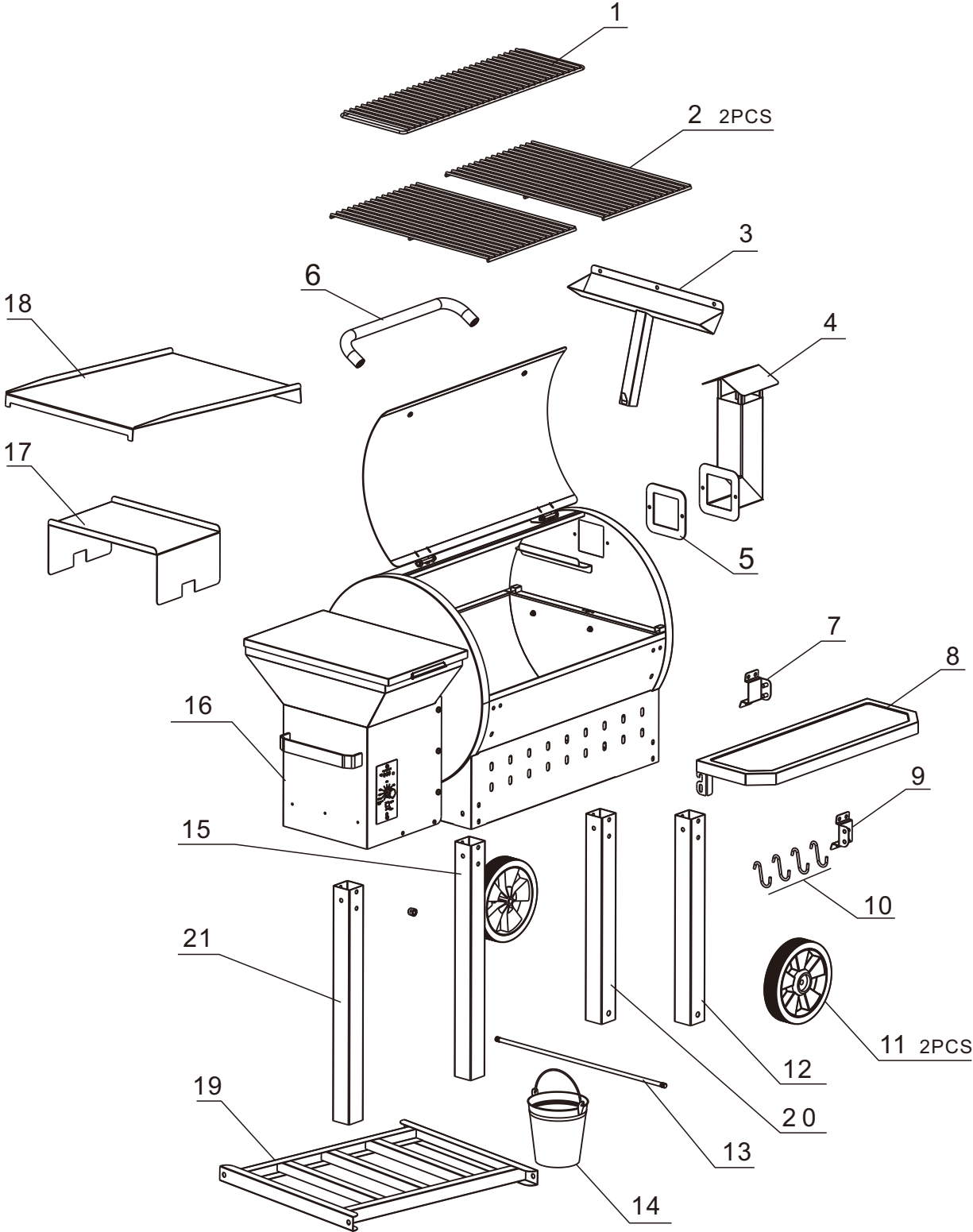
- DANGER!** Hazardous voltage is present which can shock, burn or cause death. Disconnect the power cord before servicing the Grill unless otherwise noted in the Owner's Manual.
- DANGER!** Never use or store flammable liquids near the Grill.
- DANGER!** Never use gasoline or lighter fluid to manually light your Grill. Use ONLY Alcohol Gel for this procedure AND according to the instructions in the Owner's Manual.
- WARNING!** When operating this Grill, maintain a MINIMUM distance of 12" from the Grill to combustibles
- WARNING!** Do not operate this grill under overhead constructions.








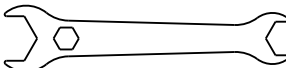
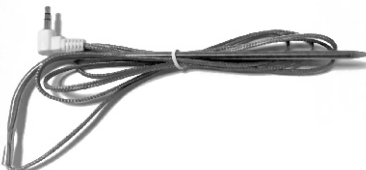
- WARNING!** Assemble and operate this Grill ONLY per the instructions in this Owner's Manual.
- WARNING!** This Grill is intended for OUTDOOR USE ONLY.
- WARNING!** Never use heating fuel pellets in the Grill, due to potential hazardous contaminants and additives that may be present.
- WARNING!** Use ONLY BRAND BBQ WOOD PELLETS, which are specifically made to work in our Grills. wood pellets are rated for 8000 BTU per LBS with an ash content of 2%.
- CAUTION!** Always store wood pellets in a dry location, away from heat-producing appliances and other fuel containers.
- CAUTION!** Keep the Grill clean-See the cleaning Instructions in this Owner's Manual.
- CAUTION!** Do not use accessories not specified for use with this Grill.
- CAUTION!** This appliance is not intended for use by persons(including children) with reduced physical, sensory or mental capabilities, or lack of experience and knowledge, unless they have been given supervision or instruction concerning use of the appliance by a person responsible for their safety.
- CAUTION!** This appliance incorporates an earth connection for functional purposes only. Children should be supervised to ensure they do not play with the appliance.

# INTRODUCTION

Congratulations on your purchase of this Wood Pellet Grill, Model MS-P01-510A. With proper set-up, operation and maintenance the Grill will provide you with delicious food and years of cooking enjoyment. When you un-box the Grill, remove all parts from the box and inside the Grill. Remove any remaining packaging material from inside the Grill as well. Make sure you have, and can identify all of the following parts:



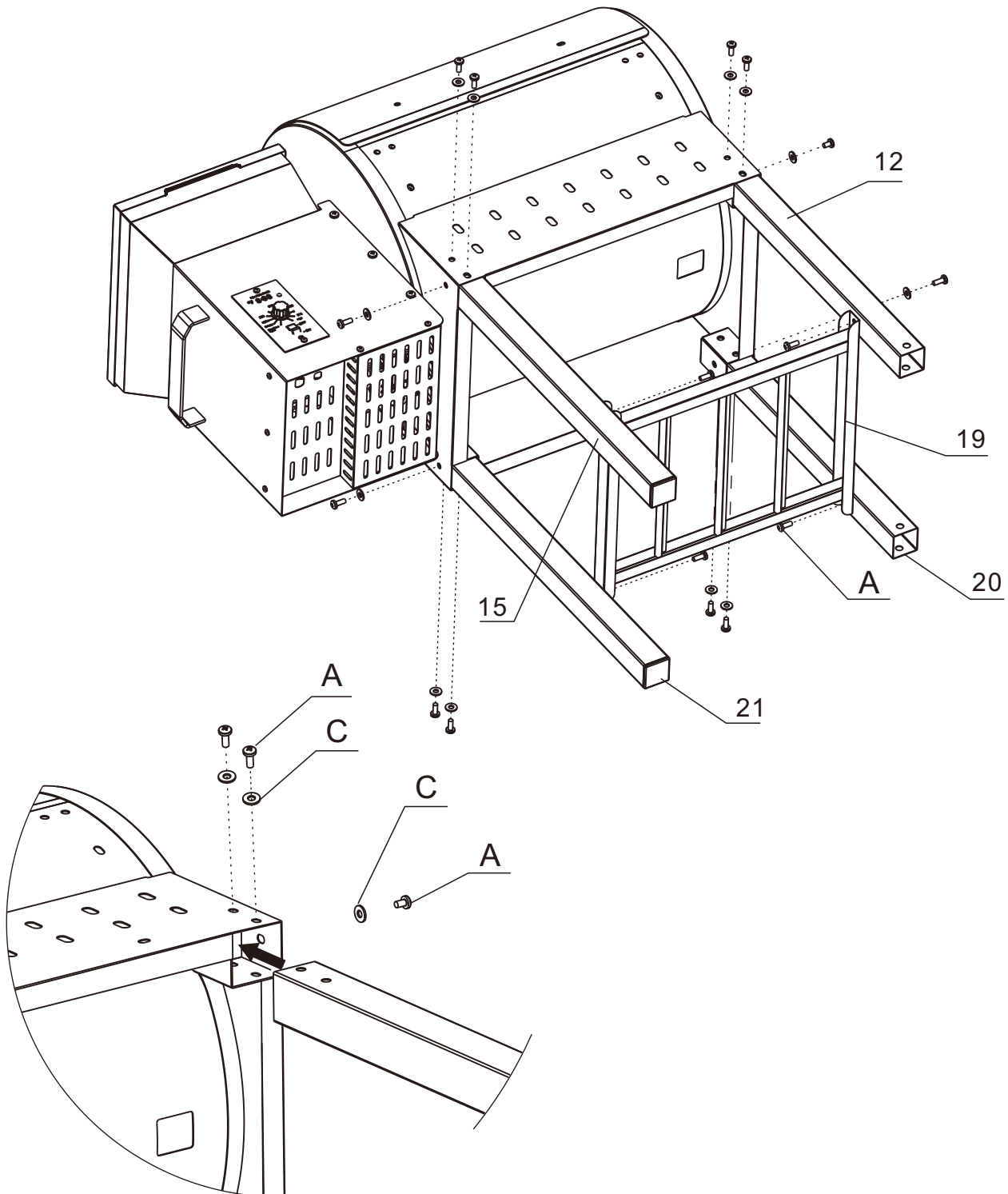
## HARDWARE TOOLS

NO.	Descriptino	Qty.	Image
A	M6×15 screws	29	
B	M6 flange nuts	11	
C	M6×16 Washer	12	
E	M 8 lock nuts	2	
F	Screwdriver	1	
G	Wrench	1	
H	Plug in meat probes	2	

# SECTION ONE: ASSEMBLY INSTRUCTIONS

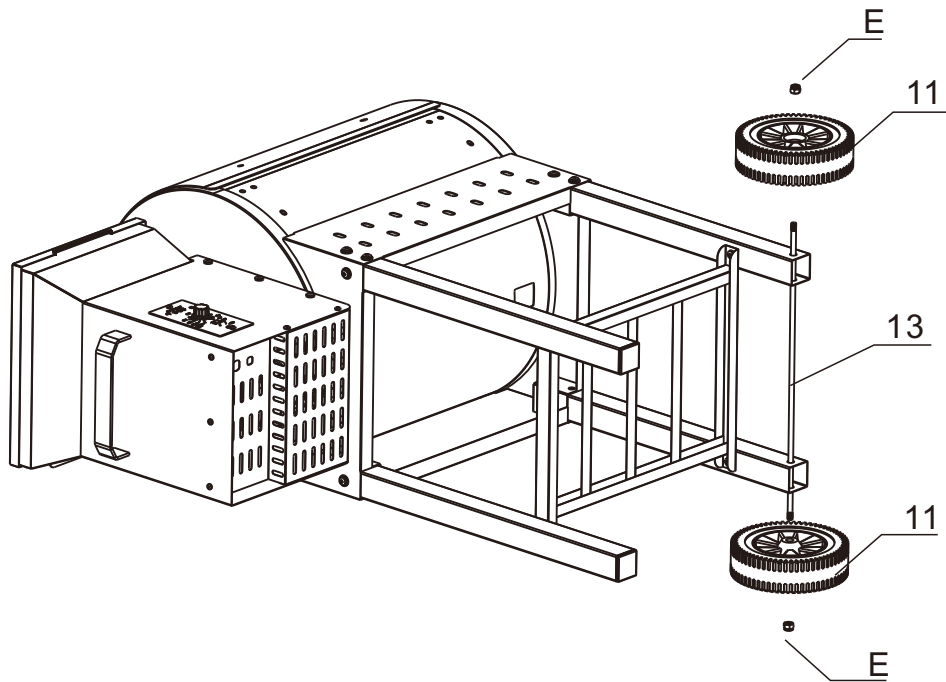
## ATTACHING LEGS AND FIRE BOX ASSEMBLY

1. Carefully lay the Grill on its back on a non-abrasive surface.
2. Use the Black Bolts(A), Washers(C) supplied in the hardware kit to install the left Leg Assemblies(15\21) on the left end of the Grill and the Wheel Right Leg Assemblies (12\20) on the right end of the Grill, as shown in the upper diagram below, Then use the Black Bolts(A) and Washers(C) to install left Leg Assemblies.
3. Set the Grill upright to level and then tighten all Nuts.
4. Use screw (A) to tighten the bottom rack (19) and leg tube through the corresponding space



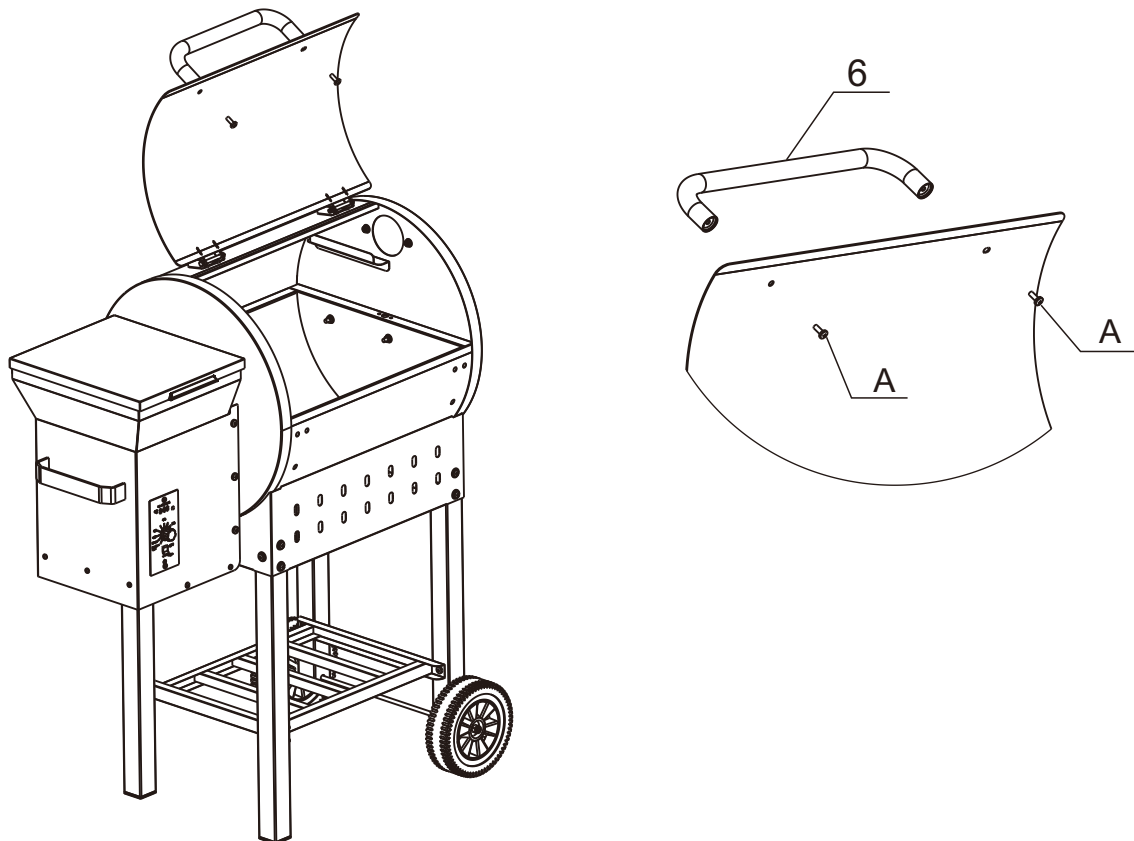
## MOUNTING THE WHEELS

1. Slide the axle(13) through the hole in the right Legs.  
Then using Nuts(E), secure the Wheels(11) to the right legs. Securely tighten nuts.



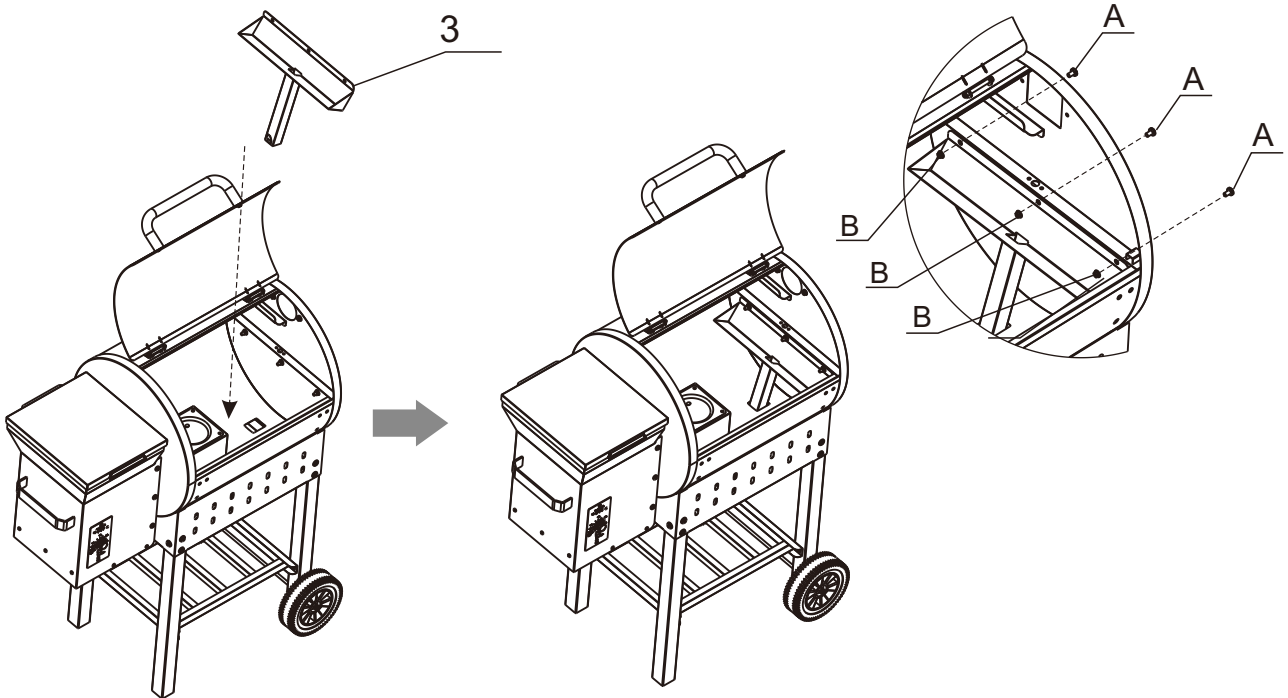
## ATTACHING THE HOOD HANDLE

1. Attach Hood Handle(6) and hood with Bolts(A). Securely tighten Screws.



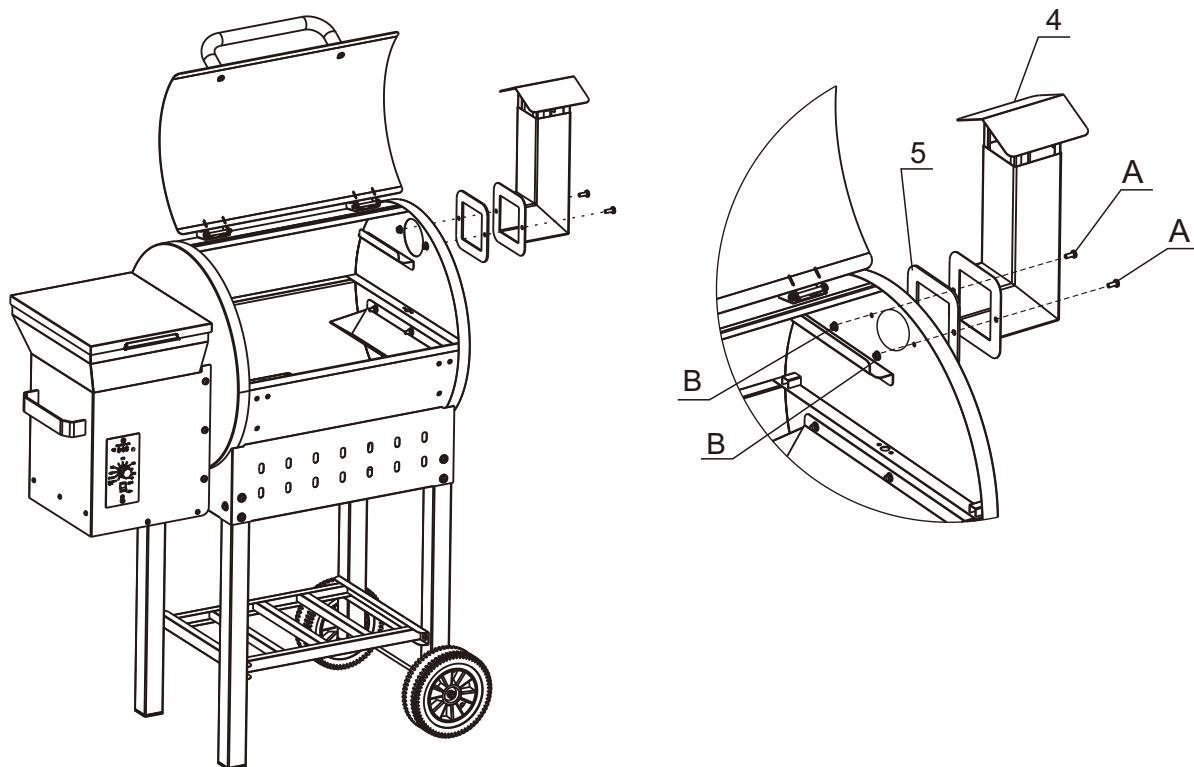
### POSITIONING THE V-SHAPED GREASE DRAIN PAN SUPPORT

1. Install V-Shaped Grease Drain Pan Support inside the Wood Pellet Grill using Bolts(A) and Flange Nuts(B). Securely tighten. See Figures as below.



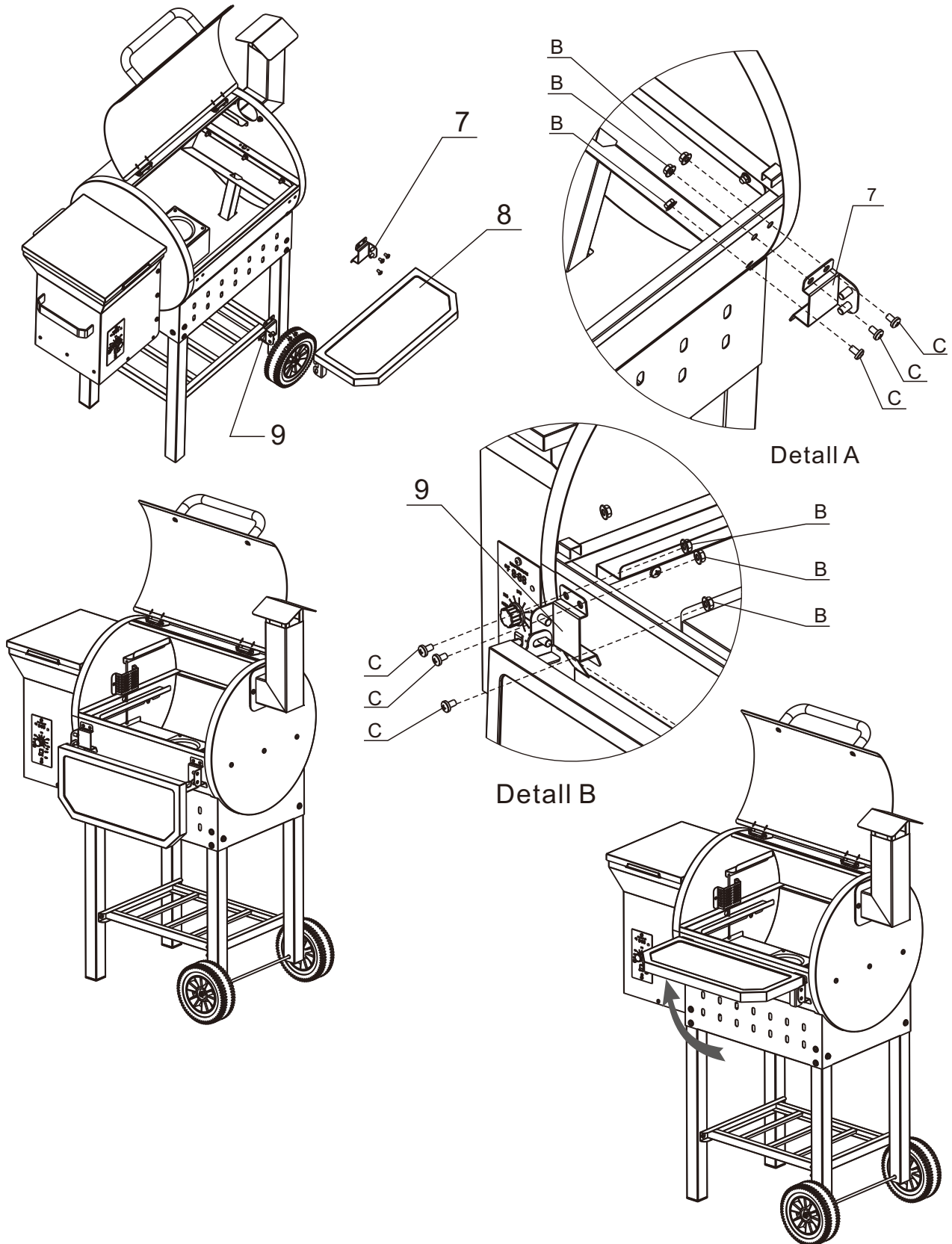
### ATTACHING THE FLUE PIPE AND CHIMNEY CAP ASSEMBLY

1. Align the holes in the Flue Pipe(4) with the holes in the Flue Pipe Gasket(5), which fits between the right end of the Grill and the Flue Pipe(4). From the Hardware Kit, Bolts(A) and insert the Bolts through the holes in the Flue Pipe(4) and the Flue Pipe Gasket(5). Align the Bolts with the corresponding holes in the Grill. Flange Nuts (B) Tighten with Flange Nuts(B) by special handle provided. See Figures as below.



## MOUNTING THE SIDE SHELF

1. Align holes in Right Bracket(7) with holes in Fire box. Remove Bolts(C) and then through the hole accordingly, using Nuts(B) securely tighten(See Fig.Detail A). Repeat this process to securely tighten the Left Bracket(9). Mounting the Brackets and Side Shelf Assemblies(8). (See Fig. Detail B)
2. Please note: Side Shelf Assembly is movable, it can be foldable when not in use, it can also be opened when you need. (See Figure as below.)



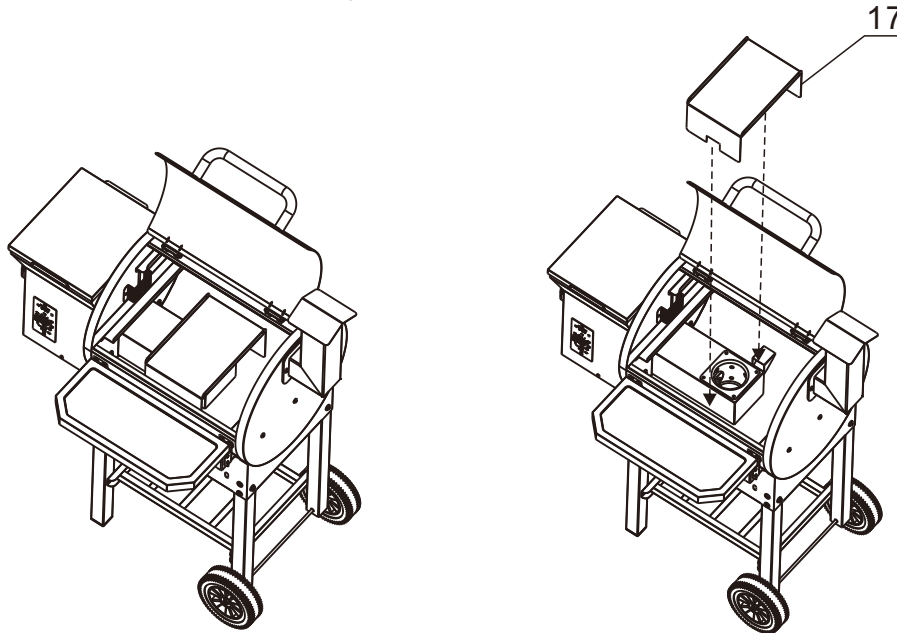


**WARNING!**

Many parts of the Grill will become very hot during operation. Care must be taken to avoid burns, both during operation and afterwards, while the Grill is still hot. It should never be left unattended when young children are present. Never move the Grill when it is operating. Let it thoroughly cool before moving or attempting to transport.

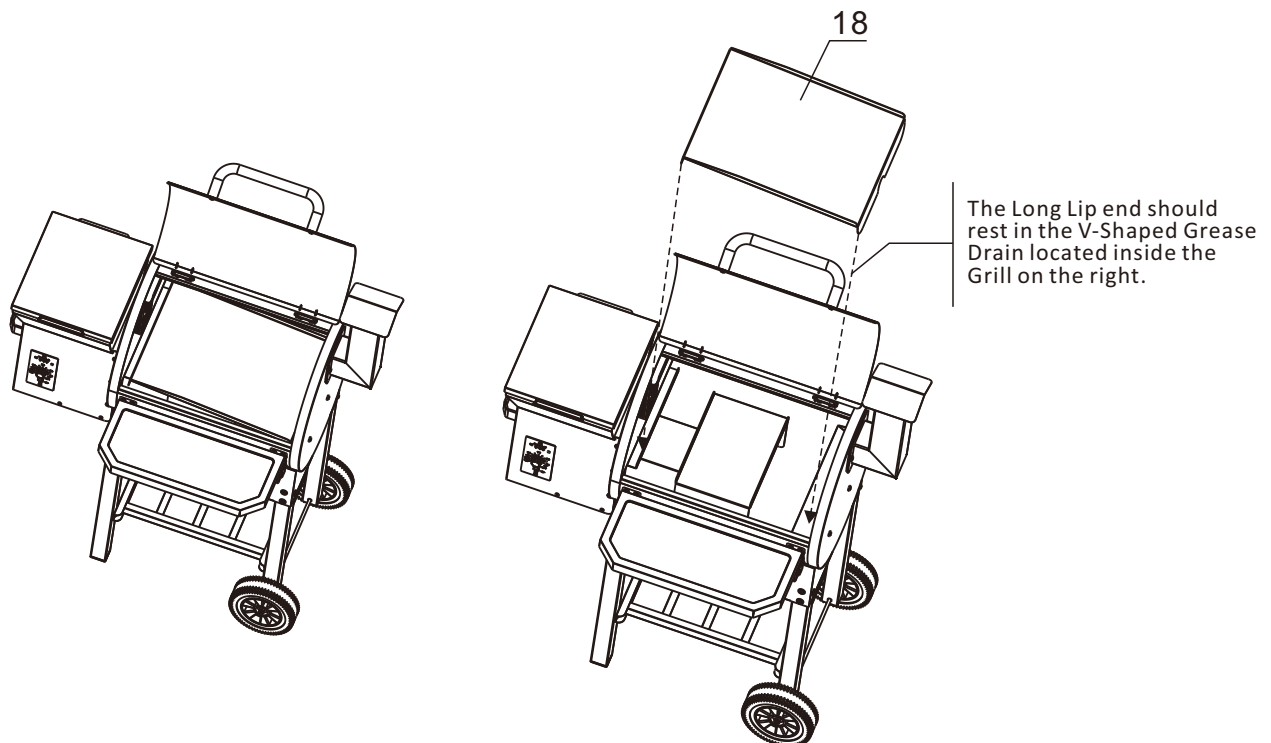
**POSITIONING THE HEAT BAFFLE:**

1) Position The Heat Baffle(17) directly over the Firepot on the locating brackets found on the inside walls of the Grill. The notched legs of the Heat Baffle(17) should be facing downward to fit onto the locating brackets.



**POSITIONING THE GREASE DRAIN PAN**

1) Position the Grease Drain Pan(18) so that the Short Lip end hooks over the Grease Drain Pan Support on the left side of the Grill. The Long Lip end should rest in the V-Shaped Grease Drain located inside the Grill on the right.



**RECOMMENDATION for ease of clean-up: Line the Grease Drain Pan(19) with Heavy duty aluminum foil. Be sure the edges and ends of the foil tight against the bottom of the Grease Drain Pan(19).**

**POSITIONING THE PORCELAIN GRILL:**

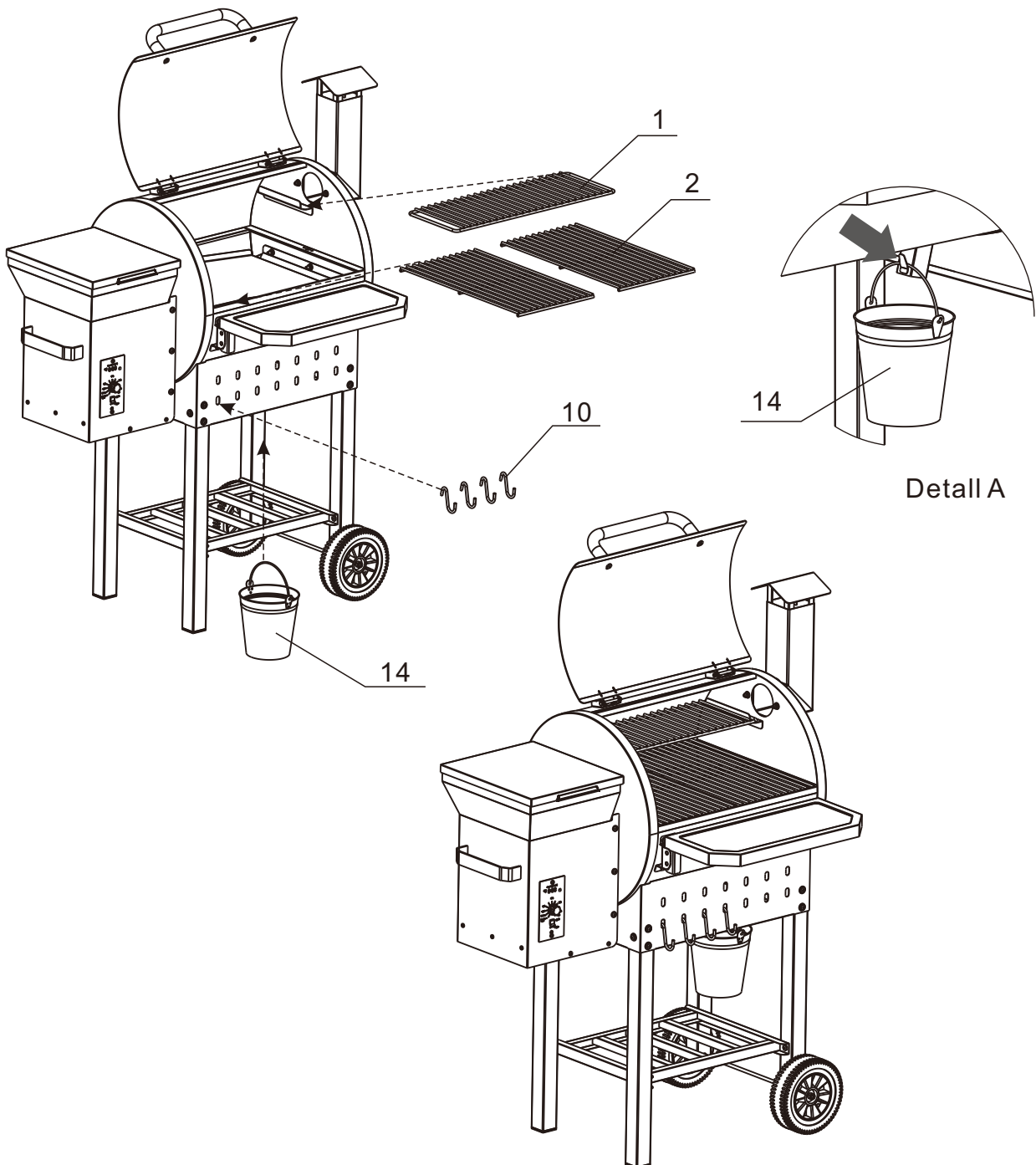
1. Position the Porcelain Grill (2) on the Grill Supports that tun the length of the cooking area.

**OSITIONING THE PORCELAIN GRILL**

1. Position the Porcelain Grill on the Grills Supports.

**HANGING THE GREASE BUCKET:**

1. Locate the Grease Drain Tube, extending from the Grill below the Smoke Stack on the right end. Hang the Grease Bucket(14) on the Bucket Hook.



- a. **DANGER!** Turn the Switch OFF (o) and disconnect the Power Cord. Allow the Grill to thoroughly cool if it is still hot. Open the Door and remove all food, the Porcelain Grill, Grease Drain Pan and the Heat Baffle.
- b. **WARNING!** Remove all unburned pellets and ash from inside and around the Firepot. **(See instructions for proper handling and disposal of ash in Section Five)**
- c. Before replacing the Heat Baffle, Grease Drain Pan and the Porcelain Grill, plug the Power Cord into an appropriate, grounded electrical outlet and turn the Switch ON (--). Pellets should fall into the Firepot and the Hot Rod should begin to heat(it will start to turn red). **CAUTION! Do not touch it.**
- d. You will soon see flames come out of the Firepot. Then turn the Switch OFF (o), and let the Grill cool down. Position the Heat Baffle, the Grease Drain Pan and Porcelain Grill in their proper locations. With the Door open, turn the Switch ON (--) and the Temperature/Dial to SMOKE. In approximately 2 minutes you will notice whitish-gray smoke coming out of the Grill as the Pellets ignite. After assuring the Pellets have ignited, close the Door and set the Temperature/Dial to any cooking setting desired.

#### 8) **CARBON MONOXIDE:**

**WARNING!** Follow these guidelines to prevent this colorless, odorless gas from poisoning you, your family or others.

- Know the symptoms of carbon monoxide poisoning: headache, dizziness, weakness, nausea, vomiting, sleepiness and confusion. Carbon monoxide reduces the blood's ability to carry oxygen. Low blood oxygen levels can result in loss of consciousness and death.
- See a doctor if you or others develop cold or flu-like symptoms while cooking or in the vicinity of this Grill. Carbon monoxide poisoning, which can easily be mistaken for a cold or flu, is often detected too late.
- Alcohol consumption and drug use increase the effects of carbon monoxide poisoning.

Carbon monoxide is especially toxic to mother and child during pregnancy, infants, the elderly, smokers and people with blood or circulatory problems, such as anemia or heart disease.

9. **CAUTION!** Grease fires are caused by not properly maintaining the Grill by failing to clean your Grease Drain Pan, V-shaped Grease Drain and Grease Drain Tube on a consistent basis. **(See Section Five for maintenance instructions)** In the unlikely event of a grease fire while cooking, turn the Switch OFF (o) and Keep the Door closed until the fire is completely out. Never keep the Door open during a grease fire. If it does not go out, lightly sprinkle baking soda on the fire. **CAUTION! Be careful not to burn yourself.** If this does not work then carefully remove the food from the Grill and keep the Door closed until the fire is completely out. **Again, be careful not to burn yourself.** When the Grill is completely cool, remove the Porcelain Grill and replace the foil on the Grease Drain Pan. Clean any grease accumulation from the V-shaped Grease Drain and the Grease Drain Tube. Replace the Grease Drain Pan and the Porcelain Grill in their proper positions, restart the Grill and resume cooking.

## SECTION TWO: INITIAL FIRING INSTRUCTIONS

*(To be used on initial firing or anytime the Grill runs out of Pellets)*


In order to ensure proper operation of the Grill, you must first allow the Auger Tube to be "charged" with Pellets.

1. Open the Door and remove the Porcelain Grill, Grease Drain Pan and Heat Battle from inside the Grill.
2. Make sure the Switch is in the OFF (o) position. Plug the Power Cord into an appropriate, grounded electrical outlet.
3. Open the Pellet Hopper Lid and locate the Auger. Make sure there are no foreign objects in the Auger. Turn the Switch ON(-- ) and the Temperature/dial to smoke look into the Pellet Hopper to confirm the Auger is turning. At the same time, place your fingers over the Firepot and feel the air movement from the Draft Inducer Fan. Look to see if the Hot Rod is getting hot (it will start to turn red). **CAUTION Do not touch it.** Turn the Temperature/dial to SHUT DOWN CYCLE.
4. HIGH. Note: During the initial charging of the Auger, it will take time for the Pellets to travel from the Pellet Hopper to the Firepot. When the Pellets begin to fall into the Firepot, turn the Temperature/ Dial to Shut Down Cycle.
5. Set the Temperature/Dial to SMOKE. Let the Pellets come to full flame. Once you see flames come out of the Firepot, turn the Temperature/Dial to SHUT DOWN CYCLE, and let the Grill cool down.

**Recommendation: For ease of clean-up, line the Grease Drain Pan with heavy-duty aluminum foil. Be sure the edges and ends of the foil are tight against the bottom of the Grease Drain Pan.** Position the Heat Baffle, The foil lined Grease Drain Pan and Porcelain Grill in their proper locations.

6. With the Door open set the Temperature/Dial to SMOKE. In approximately 2 minutes you will notice whitish-gray smoke coming out of the Grill as the Pellets ignite. After assuring the Pellets have ignited, close the Door and set the Temperature/ Dial to any cooking setting desired.
7. **Note: Before cooking the first batch of food in your new Grill, you will need to season the Grill. Turn the Temperature/Dial to HIGH and run for 45 minutes at this setting with the Door closed. This must be done before cooking any food on the Grill.**
8. The Grill should be allowed to preheat for approximately 10 minutes with the Door closed before placing food in the grill.

 <p><b>WARNING!</b></p>	<p><b>START THE GRILL ON SMOKE SETTING WITH THE DOOR OPEN</b> Once the Pellets are ignited, close the Door and set the Temperature Dial to any cooking temperature desired.</p>
--	---

 <p><b>WARNING!</b></p>	<p><b>When operating this Grill, maintain a minimum clearance of 12 inches from Grill to combustibles</b></p>
--	---

## SECTION THREE: SUBSEQUENT START-UP

With the Door open, turn the Switch ON (--) and the Temperature/Dial to SMOKE. In approximately 2 minutes you will notice whitish-gray smoke coming out of the Grill as the Pellets ignite. After assuring the Pellets have ignited, close the Door and set the Temperature/Dial to any cooking setting desired. The Grill should be allowed to pre-heat for approximately 10 minutes with the Door closed before placing food in the Grill.

**WARNING!** If at any time, the Grill fails to light or the fire in the Firepot goes out while cooking or smoking, when sufficient pellets are still in the Pellet Hopper, it is important to follow these steps. Failure to do so may cause a hazardous "over-firing" of your grill due to an excess of unburned pellets in the Firepot.

- 1.DANGER!** Turn the Switch OFF (o) and disconnect the Power Cord. If the Grill is still hot, allow it to thoroughly cool. Open the Door and remove all food, the Porcelain Grill, Grease Drain Pan and the Heat Baffle.
- 2.WARNING!** Remove all unburned pellets and ash from inside and around the Firepot.  
**(See instructions for proper handling and disposal of ash in Section Five)**
3. Before replacing the Heat Baffle, Grease Drain Pan and the Porcelain Grill, plug the power Cord into an appropriate, grounded electrical outlet and restart the Grill. Pellets should fall into the Firepot and the Hot Rod should begin to heat (it will start to turn red).  
**CAUTION! Do not touch it.**
4. If this procedure **is** successful, you will soon see flames come out of the Firepot. Then turn the Switch OFF (o), and let the Grill cool down. Position the Heat Baffle, the Grease Drain Pan and Porcelain Grill in their proper locations. With the Door open, turn the Switch ON (--) and the Temperature/ Dial to SMOKE. In approximately 2 minutes you will notice whitish-gray smoke coming out of the Grill as the Pellets ignite. After assuring the Pellets have ignited, close the Door and set the temperature/Dial to any cooking setting desired.
5. If this procedure **is not** successful, see **Section Six: FREQUENTLY ASKED QUESTIONS** for troubleshooting tips or contact Technical Support to help diagnose the problem **before** proceeding to the **MANUAL LIGHTING INSTRUCTIONS** below.

### MANUAL LIGHTING INSTRUCTIONS:

If the **Hot Rod** only is not operating, the Grill can still be used to cook and smoke using the **MANUAL LIGHTING PROCEDURE** below

- 1.DANGER!** Turn the Switch OFF (o) and disconnect the Power Cord. Allow the Grill to thoroughly cool if it is still hot. From beneath the Pellet Hopper, disconnect the Hot Rod (Purple /White wire pair as shown in the wiring diagram near the end of this manual). You will need to remove the Hopper Bottom Panel to access the wiring. Once the Hot Rod is disconnected, replace the Hopper Bottom Panel and plug the Power Cord back into an appropriate, grounded electrical outlet.
2. Open the Pellet Hopper and fill with BBQ PELLETS.  
**WARNING! USE ONLY BBQ WOOD PELLETS, which are specifically made to work in our Grills. NEVER use heating fuel pellets in th Grill due to potential hazardous contaminants and additives that may be present.**
3. Remove the Porcelain Grill, Grease Drain Pan and Heat Baffle to expose the Firepot In the bottom of the Grill.
4. Pour 1/2 cup of BBQ PELLETS into the Firepot.
5. Squirt 2 tablespoons of Alcohol Gel fire lighter into the Firepot on top of the Pellets.  
**DANGER!** Never use gasoline, gasoline-type lantern fuel, kerosene, charcoal lighter fluid or similar liquids to start or "freshen up" a fire in this Grill. Keep all such liquids well away from the Grill when in use.
6. Carefully light the Alcohol Gel with a fireplace match or a long-reach butane lighter.  
**DANGER!** Never squirt Alcohol Gel into a burning fire or a hot Firepot. The Alcohol Gel bottle could explode and cause a fire, serious injury or death.
7. Let the Alcohol Gel and Pellets burn for approximately 4 minutes.
8. After assuring the Pellets have ignited, install the Heat Baffle, Grease Drain Pan and Porcelain Grill back in place.

**CAUTION!** You will now have a fire in the Firepot. **Be careful not to burn yourself** when you install these components. Gloves are recommended.

9. Turn the Switch ON (--) and the Temperature/Dial to any setting desired. With the Door closed, let the Grill pre-heat for approximately 10 minutes before placing food in the Grill.

### **Control Shutdown cycle**

The control for this barbecue comes with an automatic shut down cycle. When finished cooking on your barbecue set the Temperature/Dial Knob to the ShutdownCycle position, this will leave the Draft Induction Fan running for ten minutes to burn any excess pellets in the fire pot. After the fan runs for ten minutes the controller will power off and the fan and it will stop running. **CAUTION!** The main power switch will shut the power off to the controller and the Temperature/ Dial Knob switch will cut off power to the grill components only.

When servicing the controller or any parts ensure that the power supply is disconnected to avoid a shock hazard.

### **Control Safety Features**

The controller comes equipped with 2 safety features that will help you to keep the grill operating correctly. The first of these is a low temperature alarm. If the grill stays below 125 degrees as read by the RTD temperature sensing device for a period of 10 minutes the control will go into an alarm state and the display will read "LEr". This will shut off all power to the internal components of the grill. The display will stay in this state until you turn off the main power switch. The second safety feature will be a high temperature alarm. If the grill obtains an internal temperature reading of 550 degrees as read by the RTD temperature sensing device the control will go into alarm state and the display will read "HEr". This will turn off all power to the internal components of the grill. The display will stay in this state until you turn off the main power switch. Whenever either of these alarm conditions occurs you should check to see what caused this condition and fix the problem. Call customer service if you need help.

## SECTION FOUR: OPERATING TIPS

1. The Temperature Dial can be changed at any time to increase or decrease the cooking temperature of the Grill. The HIGH/HIGHER temperature setting are for Grilling. The MEDIUM/MID RANGE temperature setting are for Slow Cooking. The SMOKE setting is for Smoking and adding Smoke Flavor to foods being cooked. The SMOKE setting can also be used to "hold" foods at approximately 180 to 200 degrees F.
2. **WARNING!** Your Pellet Grill should never be moved while it is hot. If you are transporting your Grill in a vehicle after cooking on it, make sure the fire is completely out and the Grill is **cold** before placing it in any vehicle. Never put water into the Firepot. It will jam the Auger.
3. Your Traeger Pellet Grill is designed to operate with the Door closed. Cooking with the Door open greatly lengthens your cooking time.
4. **DANGER!** Never add pellets by hand to a hot Firepot. This is dangerous and you may be seriously burned. If you run out of pellets and lose your fire while cooking, let the Grill completely cool and start again with the **INITIAL FIRING INSTRUCTIONS**.
5. **CAUTION!** Make sure the Heat Baffle is properly seated on its locating brackets. The long lips of the Heat Baffle should be pointing down over the Firepot. If not seated properly, direct heat and flame could come up out of the Firepot and cause a grease fire in the Grill.
6. When estimating cooking times, the outside temperature will be an important factor. If it is hot outside, it will take less time for food to cook. If it is cold, wet or windy, it will take longer.
7. Digital Thermostat Control Functions:  
After selecting your cooking temperature (with the exception of "SMOKE") the Auger will operate continuously until the selected temperature is reached. From that point forward, the Digital Control will cycle the Auger off and on to maintain the selected temperature until the Temperature/Dial is changed. When operating in "SMOKE" mode, the Auger will cycle on for 15 seconds and off for 65 control. There is no temperature control with the "Smoke" setting. This timed cycle setting for "SMOKE" is a factory pre-set recommended by Pellet Grills to develop a "Smoking" temperature of 150 to 180 degrees F.

However you can change this timed cycle to suit your particular needs. Refer to the Wiring Diagram found near the end of this manual and locate the Smoke Adjustment. It is a switch in side a small hole on the face of the Digital Control to the right of the Readout. While the Digital Control is on, use a very small

Screwdriver or other pointed object (a bent paper alip works well) to gently depress the switch. When you depress the switch, the Readout will change from a temperature to "P" followed by a number. The factory pre-set mentioned earlier is P-2. The setting range is from P-0 to P-5. The "P" readout will change each time you depress thetch. With all "P" settings, the Auger on time remains constant at 15 seconds while the off time is influenced by the "P" setting. For example: A P-3 setting will result in an Auger on time of 15 seconds and an Auger off time of 75 seconds, an increase in the off time of 10 seconds from the P-2 setting. Each change in the "P" umber -up or down- results in an increase or decrease of 10 seconds for the Auger off time. Increasing the number decreases Smoking Temperature. Decreasing the number increases Smoking Temperature. The Service Department recommends a setting no higher than P-4. Also, if you do make a Smoke Adjustment, the temperature on the Readout should be monitored. If the temperature is consistently below 160 degrees F, while "Smoking", decrease the "P" setting because there is a risk of losing the fire in the Firepot.

**WARNING!** If the fire in the Firepot goes out while smoking, when sufficient Pellets are still in the Pellet Hopper, it is important to follow these steps. Failure to do so may cause a hazardous "over-firing" of your grill due to an excess of unburned pellets in the Firepot. You may need to decrease the "P" setting to prevent your fire from going out in the "Smoke" mode.

# CONTROL WITH MEAT PROBES

## Meat Probes setup

1. Insert either one or two meat probes into the plug-in receptacles located on the lower left corner of the controller as shown in Figure 4-1.
2. Insert the probes tips into the meat halfway into the thickest part of the meat. Make sure the probe is not inserted into the fatty portion of the meat and not touching the bone. Ensure that the probe is at least half the thickness of the Meat.
3. To read the temperature of the meat probe press the meat probe selector switch located in the lower right corner of the control as shown in Figure 4-1. The control will revert back to the barbeque temperature after 5 seconds.

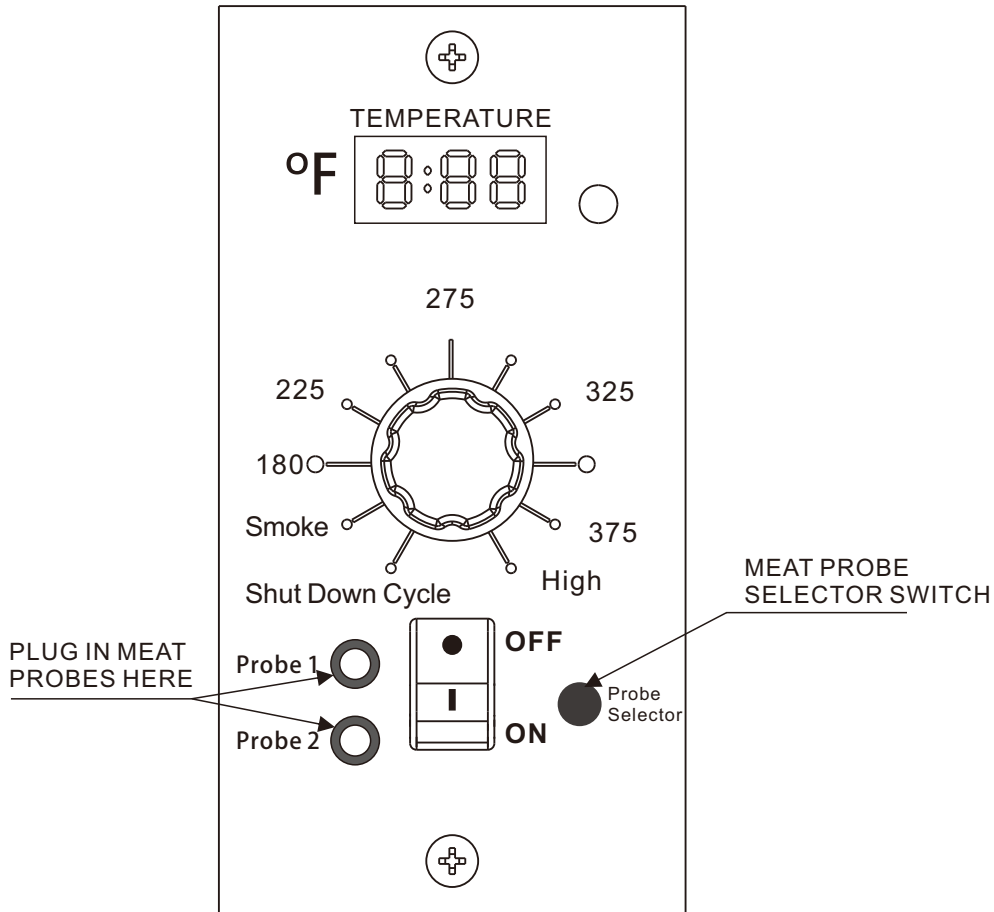


Figure 4-1

Meat temperature recommendations chart				
Range	Beef	L a m b	Pork	Poultry
Well	170° F	160° F	170° F	170° F
Medium	160° F	155° F	160° F	170° F
Medium Rare	145° F	145° F		170° F
Rare	135° F			170° F



## SECTION FIVE: MAINTAINING YOUR NEW GRILL

**CAUTION!** Cleaning and user maintenance shall not be made by children without Supervision.

**CAUTION!** If the supply cord is damaged, it must be replaced by the manufacturer, its service agent or similarly qualified persons in order to avoid a hazard.

### 1. CREOSOTE AND GREASE: Formation and need for removal.

When wood pellets are burned slowly, they produce tar and other organic vapors that combine with expelled moisture to form creosote. The creosote vapors condense in the relatively cool flue exhaust of a slow burning fire. As a result, creosote accumulates on the flue lining.

When ignited, creosote makes an extremely hot fire. Airborne grease particles will travel through the cooking chamber and some of this airborne grease will accumulate on the flue lining, similar to the creosote, which could be contributory to a fire.

The flue exhaust should be inspected at least twice a year to determine when a creosote and/or grease buildup has occurred.

Also, grease drippings from the food will fall onto the Grease Drain Pan and be channeled into the Grease Drain and then out of the Grill through the Grease Drain Tube, to be collected in the Grease Bucket. Grease will accumulate in all of these Locations.

The Grease Drain, the Grease Drain Tube and the Grease Bucket should be inspected at least twice a year for signs of grease buildup.

When creosote or grease has accumulated, it should be removed to reduce the risk of fire.

### Cleaning the Flue(Smoke Stack):

**DANGER!** Turn the Switch OFF (o) and disconnect the Power Cord.

**CAUTION!** Make sure that the Grill is cold before cleaning the Flue Pipe. Remove (unscrew) the Chimney Cap Assembly from the top of the Flue Pipe. Once the Chimney Cap Assembly has been removed, it can be cleaned with warm, soapy water or with a biodegradable degreaser. Scrape the creosote and grease accumulation from the inside of the vertical and horizontal sections of the Flue Pipe, using a stiff, non-metallic tool. A wooden paint stir stick, for example, would work for this task. Once the creosote and grease residue has been loosened from the Flue Pipe lining, much of it can be removed with paper towels or disposable rags. Do not spray water or other liquid cleaners onto the inside of your Grill. Once the Flue Pipe has been cleaned, replace the Chimney Cap Assembly.

### Cleaning Grease from your Grill

**DANGER!** Turn the Switch OFF(o) and disconnect the Power Cord.

**CAUTION!** Accumulated grease is easier to clean off when the Grill is still warm -not hot. Be careful not to burn yourself. Gloves are recommended.

Periodically, clean the grease out of the V-shaped Grease Drain and Grease Drain Tube. If too much grease is allowed to build up in the V-shaped Grease Drain, or is allowed to plug the Grease Drain Tube, a grease fire could result. We recommend cleaning these locations regularly.

Remove the Porcelain Grill and the Grease Drain Pan. This will provide access to the V-shaped Grease Drain and Grease Drain Tube opening inside the Grill. Scrape the grease accumulation from the inside the V-shaped Grease Drain and Grease Drain Tube, using a stiff, non-metallic tool. Much of the loosened grease can be pushed down through the Grease Drain Tube and will fall into the Grease Bucket. Wipe up remaining grease residue with paper towels or disposable rags. Paper towels or disposable rags can also be used to wipe some of the grease off of the interior surfaces of the Grill.

Line your Grease Bucket with aluminum foil for easy clean-up. Empty it occasionally, depending on amount of use. Change the aluminum foil on the Grease Drain Pan frequently (sometimes, after each use, depending upon what was cooked). Clean foil on the Grease Drain Pan will make your food taste better and reduce the risk of a grease fire.

### 2. Cleaning outside surfaces:

**DANGER!** Turn the Switch OFF(o) and disconnect the Power Cord. Use a disposable rag or cloth, dampened with warm soapy water to wipe the grease from the outside of the Grill. DO NOT use oven cleaner, abrasive cleansers or abrasive cleaning pads on the outside Grill surfaces.

### 3. Outside Storage:

**CAUTION!** If the Grill is stored outside during the rainy season, care should be taken to ensure that water does not get into the Pellet Hopper. Wood pellets, when wet, expand greatly and will jam your Auger.

### 4. Cleaning the Porcelain Grill

**CAUTION!** The cleaning of the Porcelain Grill works best while they are still warm. **Be careful not to burn yourself.** We recommend keeping a long-handled cleaning brush near the Grill. After removing your food, give the Porcelain Grill a quick brushing. It takes only a minute and it will be ready the next time you want to use the Grill.

### 5. Cleaning the ash from inside and around the Firepot:

**DANGER!** Turn the Switch OFF (o) and disconnect the Power Cord.

**WARNING!** Make sure that the Grill is **COLD** before cleaning the ash.

**WARNING!** Disposal of ashes should be done only per the following instructions.

Excess ash in the Firepot may cause your fire to go out, especially in the "SMOKE setting. The Firepot should be inspected occasionally, and cleaned to remove the ash buildup. Again, cleaning the ash from in and around the Firepot should be done only when the Grill is **COLD**.

Remove the Porcelain Grill, Grease Drain Pan and Heat Baffle to provide access to the Firepot and the interior of the Grill. Much of the ash outside of the Firepot can be swept to the open area at the right of the Firepot using a small whisk broom. It can be removed from the Grill with a small metal fireplace shovel or other similar tool. Dispose of the ashes per the following instructions.

**WARNING!** A vacuum cleaner is the best way to remove ashes from the Firepot but this must be done with extreme care to avoid the risk of fire. Again, cleaning the ash from the Firepot should be done only when the Grill is **COLD**.

A utility-type vacuum cleaner, having a metal collection canister without a bag would be best for this task. However, almost any vacuum cleaner will work safely if this procedure is properly followed.

After assuring that the ash in the Firepot is **COLD**, vacuum the ash from the inside of the Firepot.

A) If your vacuum cleaner is a bagless model, empty any previously accumulated debris from the collection chamber. Then vacuum the ash from the inside of the Firepot. Once the Firepot is clean, empty the collection chamber into the metal container described below without delay. Make sure that there is no remaining ash residue left in the collection chamber.

B) If your vacuum cleaner is a model that uses a disposable bag, install an unused one in the machine. Then vacuum the ash from the inside of the Firepot. Once the Firepot is clean, remove the bag from the vacuum cleaner and place it in the metal container described below without delay.

## **DISPOSAL OF ASHES**

**WARNING!** Ashes should be placed in a metal container with a tight-fitting lid. The closed container of ashes should be placed on a non-combustible floor or on the ground, well away from all combustible materials, pending final disposal. When the ashes are disposed of by burial in soil or otherwise locally dispersed, they should be retained in the closed container until all cinders have thoroughly cooled.

## **SECTION SIX: FREQUENTLY ASKED QUESTIONS WHY WON'T MY GRILL IGNITE?**

1. Verify power at the electrical outlet.
  - a. If Power Cord is connected to a GFI(Ground Fault Interrupter), check and reset if necessary.
  - b. Initiate startup.

Still no ignition- Proceed to step 2.

2. **DANGER!** Turn the Switch OFF (o) and disconnect the Power Cord.

- a. Remove the Control and check the fuse on back. Replace the fuse if blown.

**Reinstall the Control!**

- b. Unplug Hot Rod connector(Purple/White wire pair), plug Power Cord into an appropriate, grounded electrical outlet and turn the Switch ON (--). NOTE: At this point the Grill will not ignite.
  - c. Check the Draft Inducer Fan and the Auger Drive Motor for operation. If both are operating -- the Hot Rod needs to be replaced. If one or both are not operating, contact Technical Support for additional troubleshooting help. Contact your Dealer or the Parts Department to place an order.
3. If the problem is identified to be a failed Hot Rod, the Grill can still be used to cook and smoke by following the MANUAL LIGHTING INSTRUCTIONS in Section Three of this OWNER'S MANUAL

## **WHY ARE NO PELLETS BEING DELIVERED INTO THE FIREPOT?**

1. Verify that there are Pellets in the Pellet Hopper. If this is the INITIAL FIRING or the Grill has run out of Pellets, allow sufficient time for the Pellets to travel from the Pellet Hopper to the Firepot .
2. Initiate startup. See INITIAL FIRING INSTRUCTIONS in Section Two of this OWNER'S MANUAL.

Still no Pellets in the Firepot -Proceed to step 3

3. **DANGER!** Turn the Switch OFF (o) and disconnect the Power Cord.

- a. Unplug the Auger Drive Motor(Red/White wire pair connector) and the Draft Inducer Fan (Orange/White wire pair connector).

- b. Reconnect the Draft Inducer Fan to the Red/White wire pair and the Auger Drive Motor to the Orange/White pair.

- c. Plug the Power Cord into an appropriate, grounded electrical outlet and turn the Switch ON (--).

- d. If the Auger Drive Motor is operating(check the small fan blade on the back of the motor), the problem is in the Three Speed or Digital Control, which will need to be replaced. Contact your Dealer or the Parts Department to place an order.

4. If the Auger Drive Motor is not operating but the Draft Inducer Fan is operating, the problem is in the Auger system, which will need to be checked.

- a. With the Switch OFF (o), locate the small fan blade on the back of the Auger Drive Motor.

- b. CAUTION! While watching the fan blade, turn the Switch ON (-) If the fan blade does not turn, turn the Switch OFF (o). This indicates a defective Auger Drive Moto and it will need to be replaced. Contact your Dealer or the Parts Department to place an order.

- c. If the fan blade turns a bit and then stops, continue watching and turn the Switch OFF(o). If the fan blade UNWINDS slightly, this indicates a jam in the Auger system which will need to be cleared.

- d. **DANGER!** Turn the Switch OFF (o)and disconnect the Power Cord. Remove the Pellets from the Pellet Hopper. Check for foreign objects and wet or decomposed Pellets, both of which can cause a jam in the Auger system. The Auger will need to be removed to clear a jam in the Auger system. See "HOW DO I REMOVE THE AUGER IF IT JAMS?"section below.

## HOW DO I REMOVE THE AUGER IF IT JAMS?

1. **DANGER!** Turn the Switch OFF(o) and disconnect the Power Cord.
2. **CAUTION!** If the Grill is still hot, allow it to thoroughly cool.
3. Remove any covers necessary to access the Auger Drive Motor.
4. Remove the screw connecting the Auger Drive Motor shaft to the Auger shaft and the screw retaining the Auger Bushing into the Auger Tube.
5. With a small pipe wrench or locking pliers on the Auger shaft, turn the Auger counter clockwise. It will turn hard until it breaks free, then the Auger will turn freely.
6. Remove the Auger and clean all Pellets, ash or foreign objects from the Auger, Auger Tube and Firepot. **(See instructions for proper handling and disposal of ash in Section Five)**
7. Sand the outside surfaces of the auger with medium grit sandpaper. Check the inside of the Auger Tube and sand it if needed. Vacuum the sanding grit out of the Auger Tube and Firepot when finished. Check that the Auger rotates freely.
8. Re-attach the Auger shaft to the Auger Drive Motor shaft.

## WHY DOES MY GRILL FIRE GO OUT ON “ SMOKE ” SETTING?

The "P" number for the Smoke Adjustment on the Digital Control may be set too high.

Review the Digital Thermostat Control Functions in **Section Four: Operating Tips** to make an adjustment.

There may be excess ash in the Firepot which needs to be cleaned.

**WARNING!** If the fire in the Firepot goes out while smoking, when sufficient Pellets are still in the Pellet Hopper, it is important to follow these steps. Failure to do so may cause a hazardous "over-firing" of your grill due to an excess of unburned pellets in the Firepot.

- a. **DANGER!** Turn the Switch OFF(o) and disconnect the Power Cord. If the Grill is still hot, allow it to thoroughly cool. Open the Door and remove all food, the Porcelain Grill, Grease Drain Pan and the Heat Baffle.
- b. **WARNING!** Remove all unburned pellets and ash from inside and around the Firepot. **(See instructions for proper handling and disposal of ash in Section Five)**
- c. Before replacing the Heat Baffle, Grease Drain Pan and the Porcelain Grill, plug the Power Cord into an appropriate, grounded electrical outlet and turn the Switch ON (--) Pellets should fall into the Firepot and the Hot Rod should begin to heat (it will start to turn red). **CAUTION! Do not touch it.**
- d. If this procedure is successful, you will soon see flames come out of the Firepot. Then turn the Switch OFF (o), and let the Grill cool down. Position the Heat Baffle, the Grease Drain Pan and Porcelain Grill in their proper locations. With the Door open, turn the Switch ON (--) and the Temperature/ Dial to SMOKE. In approximately 2 minutes you will notice whitish-gray smoke coming out of the Grill as the Pellets ignite. After assuring the Pellets have ignited, close the Door and set the Temperature/Dial to any cooking setting desired.

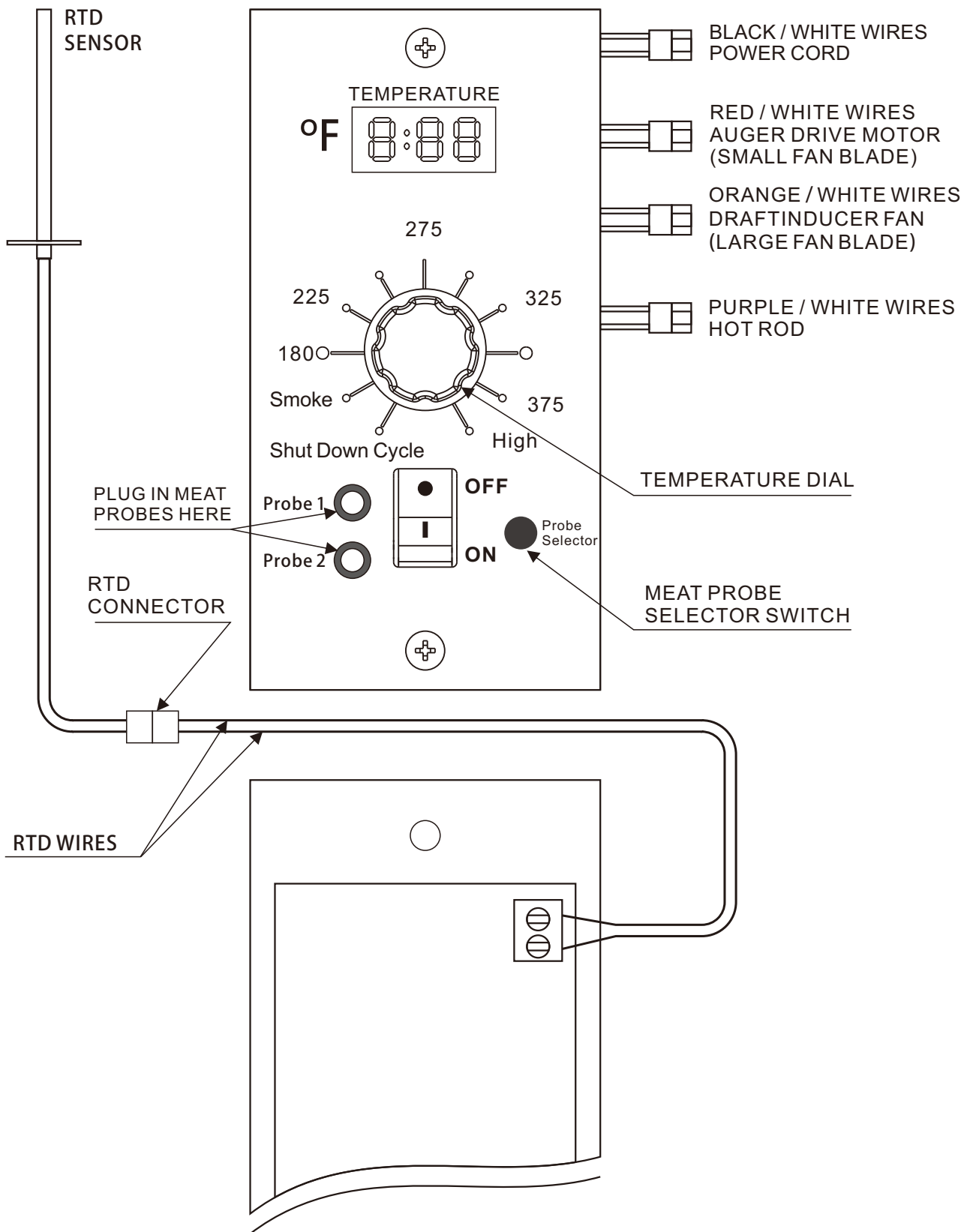
## WITH THE DIGITAL CONTROL, WHAT DIAL SETTING IS RECOMMENDED FOR STARTING THE GRILL?

The auto-start procedure is the same for all Grill Controls. With the Door open, turn the Switch ON (--) and the Temperature/Dial to SMOKE. In approximately 2 minutes you will notice whitish-gray smoke coming out of the Grill as the Pellets ignite. After assuring the Pellets have ignited, close the Door and set the Temperature Dial to any cooking setting desired.

## HOW DO I PROTECT MY BBQ FROM A POWER SURGE?

The BBQ should be plugged into a surge protector rated for 1050 Joules if there is no surge protection available at the source. The warranty will not cover any surge related damages to the grill.

# DIGITAL THERMOSTAT CONTROL WIRING DIAGRAM



Thank you for purchasing this grill!  
If you need help, have missing or damaged parts, or have any questions please email us at  
**customerservice@dongfangjm.com**  
Or, call us toll free at  
**866-273-2284**  
(9:00 am-4:00 pm, Monday through Friday, Central Standard Time)

JIANGMEN MINSHENG KITCHEN EQUIPMENT CO.,LTD  
Room 101 Comprehensive Building, No. 23 Yongning Street,  
Jianghai District, Jiangmen, Guangdong, China