

# Newport +

Model # 5813

## Newport Plus Mail Post



### DESCRIPTION

Handsomely detailed...Our Newport Mail Post offers you more than just a functional place to pick up your mail. The exquisite detailing creates a dramatic difference to any home.

- Weather resistant, low maintenance material
- Installs easily over a standard 4x4 wood post
- Recommended for mailboxes up to 8lbs
- 100% high-grade polyethylene with built in UV inhibitors
- Warranty: 15-Yr Residential Use / 5-Yr Commercial Use

### PRODUCT DIMENSIONS

**Outside Dimensions:** 8in L x 24.7in W x 56.5in H (20.3cm x 62.7cm x 143.5cm)

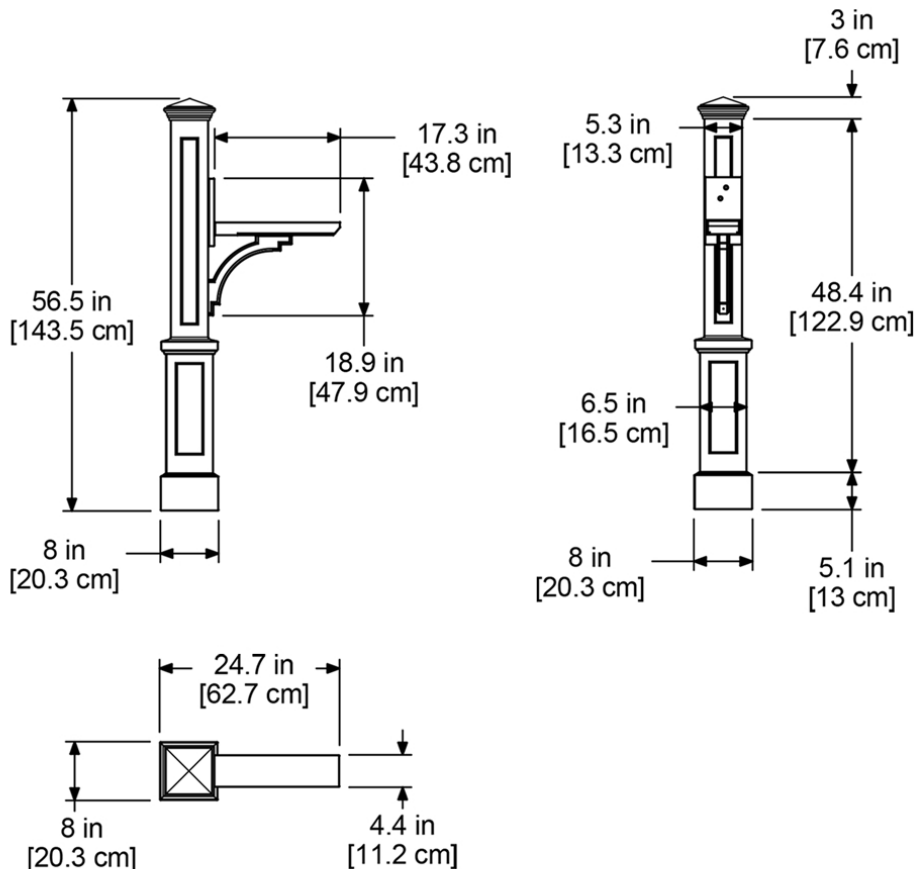
**Wall Thickness:** 0.125in (3.17mm)

**Part Weight:** 10lbs (4.5kg)

**Material:** Polyethylene

**Contents:** Post, Support Arm, and Hardware

*Note: 4x4 wood post, mailbox, and mailbox mounting hardware NOT included*



**MAYNE**<sup>®</sup>  
Outdoor Products of Distinction

7024 Kilbourne Rd - Unit A London, ON N6P 1K6

Tel: 866-363-8834 | [www.gomayne.com](http://www.gomayne.com)

[customerservice@gomayne.com](mailto:customerservice@gomayne.com)