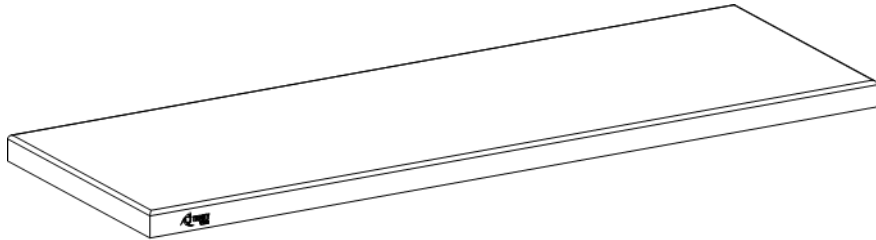




OWNER'S MANUAL



TRINITY PRO 56" x 19" WOOD TOP Model # TSNLNA-4898



Important / Important / Importante

FOR QUICK & EASY 3D ASSEMBLY INSTRUCTIONS

POUR DES DIRECTIVES D'ASSEMBLAGE 3D RAPIDES ET FACILES

PARA INSTRUCCIONES DE ENSAMBLAJE RÁPIDAS Y SENCILLAS EN 3D

BILT.[®]

Intelligent Instructions
Directives intelligentes
Instrucciones Inteligentes





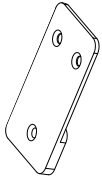
PARTS LIST

Your TRINITY PRO 56" x 19" Wood Top can be mounted on top of the TRINITY PRO Base Cabinet. To install it requires one of the following parts kit for assembly which are included in TRINITY PRO Base Cabinet hardware package. Please inspect box contents to ensure you have received all components. You will also need a Phillips screwdriver for assembly which is not provided.

If you are missing any parts, need assistance with assembly or have questions, please contact TRINITY Customer Service: 800.985.5506 or customerservice@trinityii.com. Parts can also be requested online via "Contact Us" section at www.trinityii.com.

Hardware Parts (Included inside each Base Cabinet w/Doors Model # TSNPBK-0608)

A



WOOD TOP BRACKET (2)

B



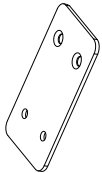
WOOD SCREW (8)
M4X16

C



CABINET SCREW (2)
M4X8

D



WALL BRACKET (2)

E



WALL ANCHOR (4)

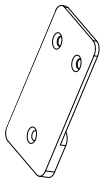
F



WALL SCREW (4)
M4X25

Hardware Parts (Included inside each Base Cabinet w/Drawers Model # TSNPBK-0607)

A



WOOD TOP BRACKET (2)

B



WOOD SCREW (4)
M4X16

C



CABINET SCREW (2)
M4X8

ASSEMBLY INSTRUCTIONS

Option 1 (Installed on 2 Base Cabinets)

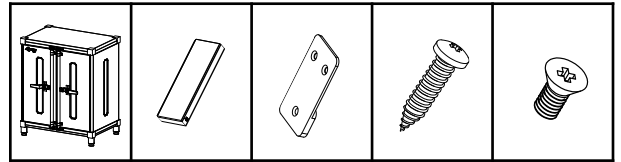
Stand two assembled TRINITY PRO Base Cabinets side by side and close to final location of where cabinets will be placed.

Position a TRINITY PRO 56" x 19" WOOD TOP on top of aligned base cabinets. Make sure logo on Wood Top edge is upright and front facing on cabinets.

Align Wood Top edges to Base Cabinets top edges. Place WOOD TOP BRACKET (A) on back corner of each cabinet. Align bottom hole on WOOD TOP BRACKET (A) to each pre-installed nut on back corner of cabinet. Insert CABINET SCREW (C) into each bottom hole and tighten them fully to cabinet with a Philips screwdriver.

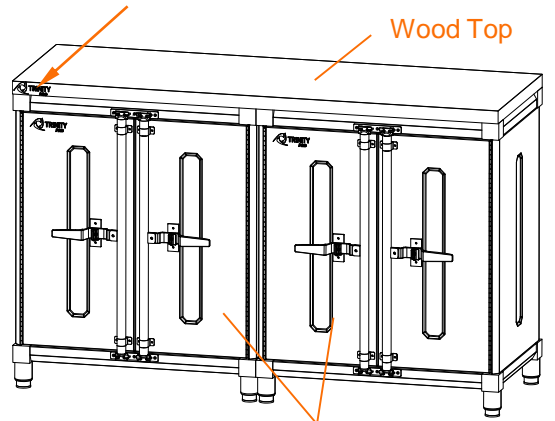
Insert WOOD SCREW (B) into each top hole and tighten them fully to Wood Top edge with a Philips screwdriver.

With 2 people, carefully slide entire assembly into final location. Do NOT lift assembly by Wood Top.

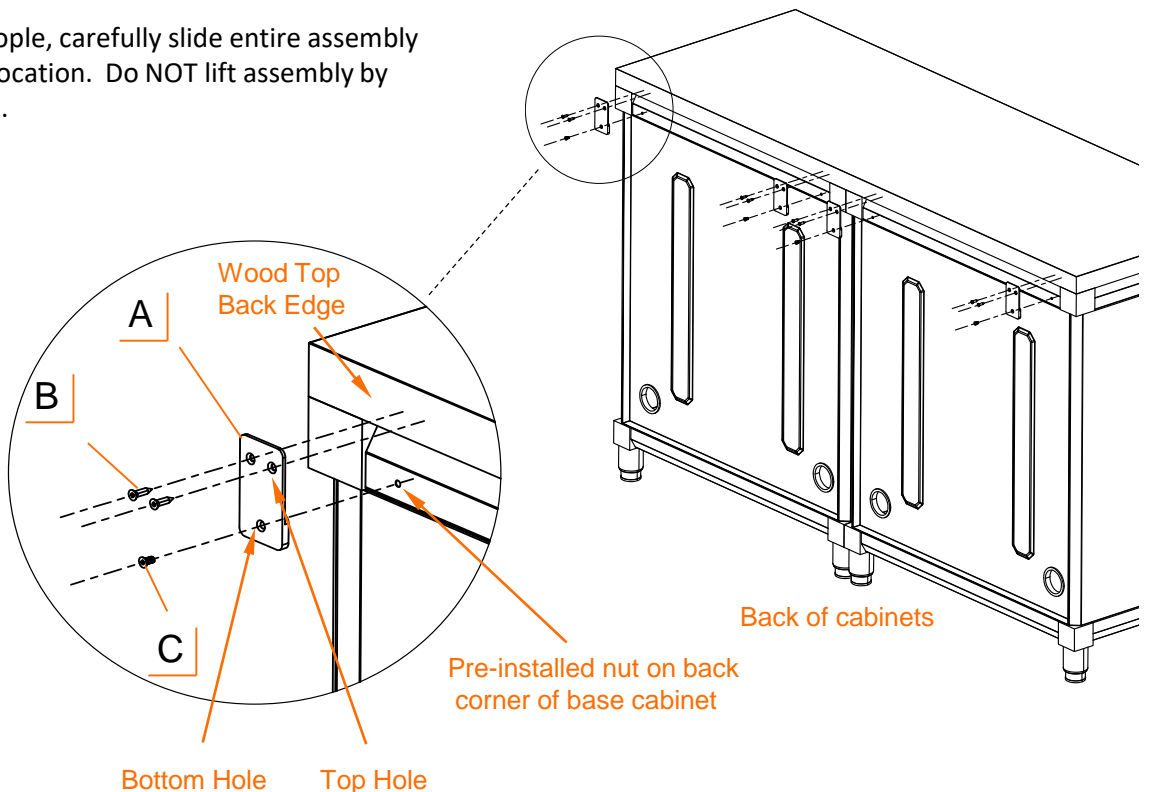


Base Cabinet (2) Wood Top (1) A (4) B (8) C (4)

TRINITY PRO LOGO on front side of cabinet



Base Cabinets



Back of cabinets

Pre-installed nut on back corner of base cabinet

Bottom Hole Top Hole

ASSEMBLY INSTRUCTIONS

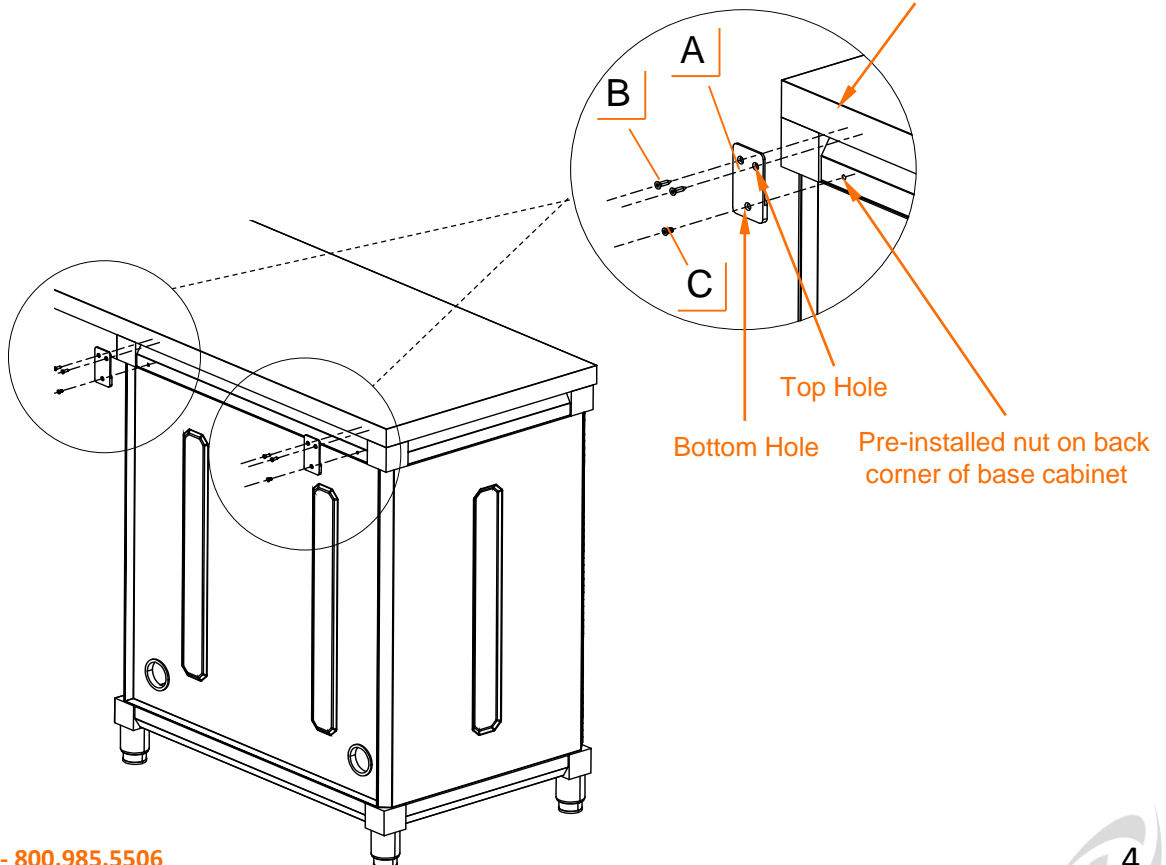
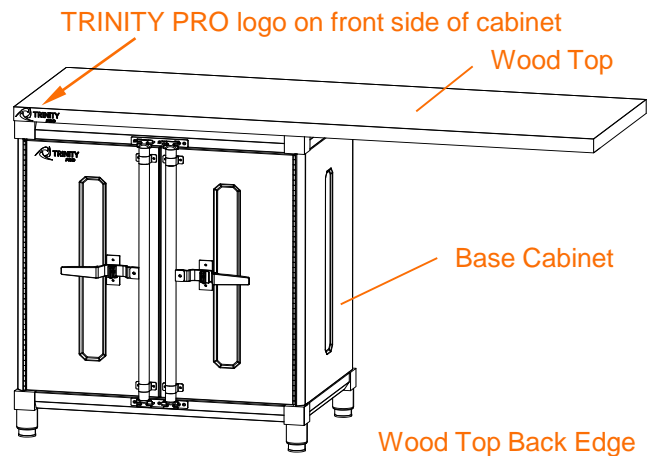
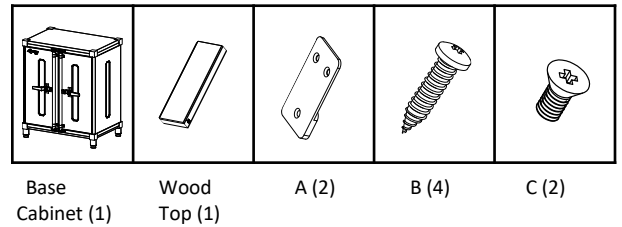
Option 2 (Installed on 1 Base Cabinet)

Step 1

Move TRINITY PRO Base Cabinet close to final location where it will be placed. With 2 people, position a TRINITY PRO 56" x 19" WOOD TOP on top of an assembled base cabinet as shown. Make sure logo on wood top edge is upright and front facing on cabinet.

Place WOOD TOP BRACKET (A) on back corner of cabinet. Align bottom hole on WOOD TOP BRACKET (A) to each pre-installed nut on back corner of cabinet. Insert CABINET SCREW (C) into each bottom hole and tighten them fully to cabinet with a Philips screwdriver.

Insert WOOD SCREW (B) into each top hole and tighten them fully to wood top edge with a Philips screwdriver.

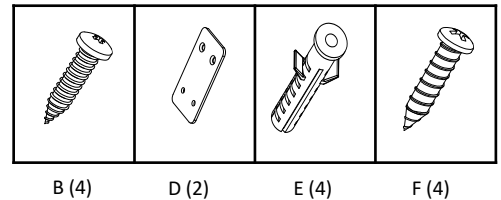


ASSEMBLY INSTRUCTIONS

Option 2 (Installed on 1 Base Cabinet)

Step 2

Place two WALL BRACKETS (D) to other end of back edge of Wood Top as shown. Make sure one bracket is as close as possible to end of unsupported end of wood top. Insert WOOD SCREW (B) into each top hole and tighten them fully to wood top edge with a Philips screwdriver.

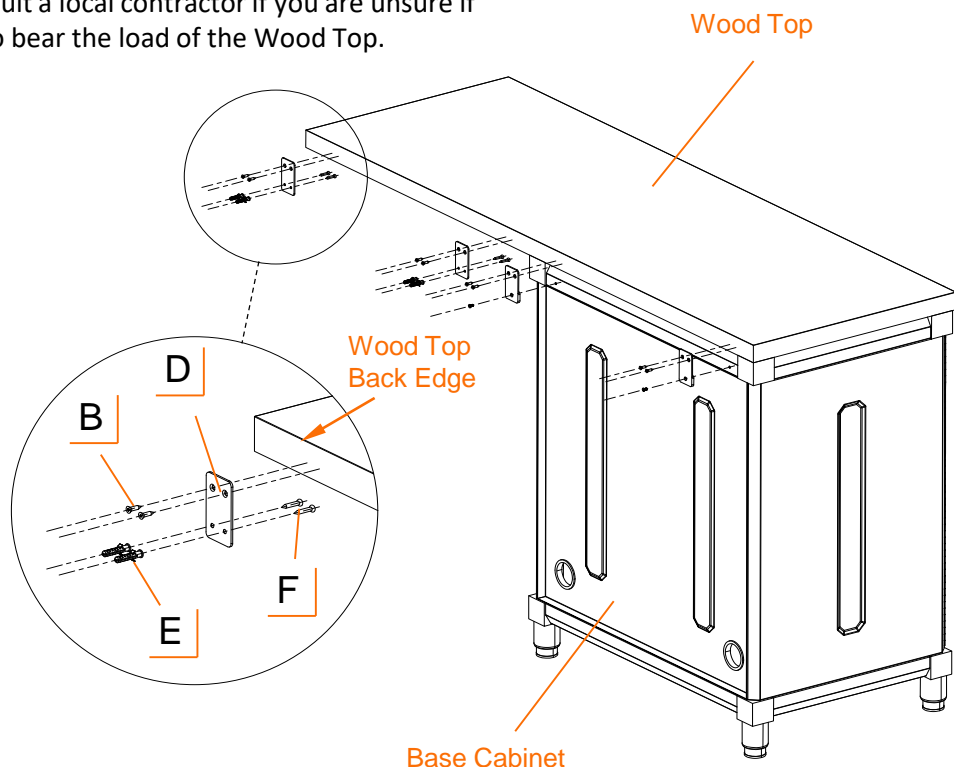


With 2 people, carefully slide assembled unit to wall at desired location. Do NOT lift assembly by wood top.

Mark off mounting location on wall through bottom holes on WALL BRACKET (D). If WALL ANCHORS (E) are required, drill holes in marked locations. Insert WALL ANCHOR (E) completely into each drilled hole.

Fasten WALL SCREWS (F) through bottom holes on WALL BRACKET (D) into the wall or anchors tightly with a Philips screwdriver.

Note: Please consult a local contractor if you are unsure if your wall is able to bear the load of the Wood Top.



ASSEMBLY INSTRUCTIONS

Option 3 (Installed on 3 Base Cabinets)

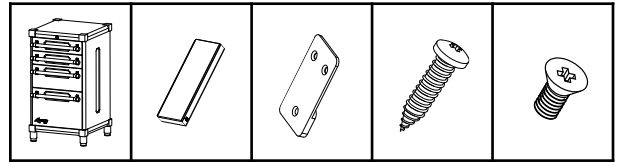
Stand three assembled TRINITY PRO Base Cabinets side by side and close to final location of where cabinets will be placed.

Position a TRINITY PRO 56" x 19" WOOD TOP on top of aligned base cabinets. Make sure logo on Wood Top edge is upright and front facing on cabinets.

Align Wood Top edges to Base Cabinets top edges. Place WOOD TOP BRACKET (A) on back corner of each cabinet. Align bottom hole on WOOD TOP BRACKET (A) to each pre-installed nut on back corner of cabinet. Insert CABINET SCREW (C) into each bottom hole and tighten them fully to cabinet with a Philips screwdriver.

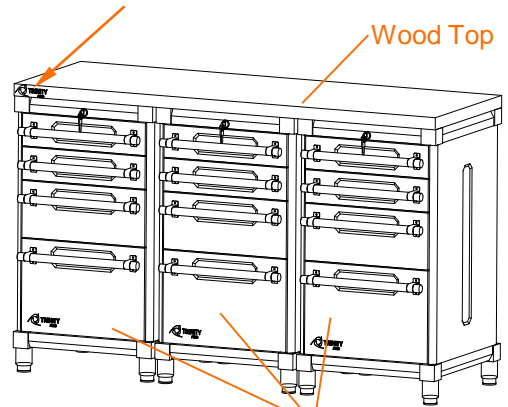
Insert WOOD SCREW (B) into each top hole and tighten them fully to Wood Top edge with a Philips screwdriver.

With 3 people, each person pushing one cabinet, carefully slide entire assembly into final location. Do NOT lift assembly by Wood Top.



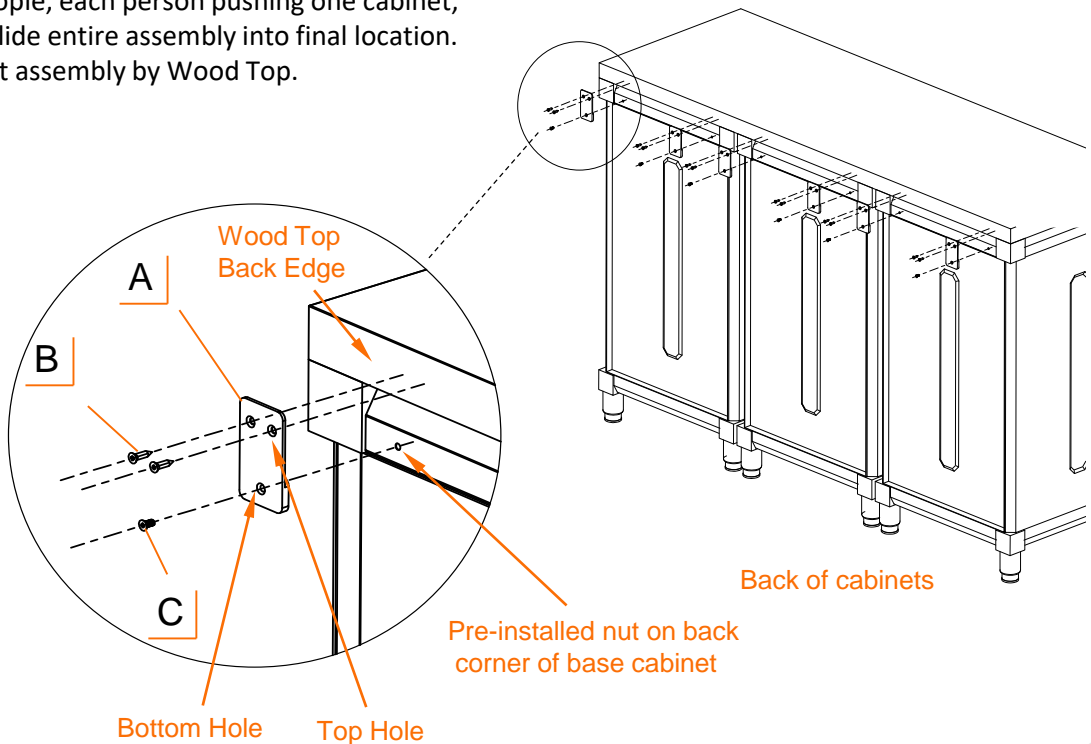
Base Cabinet w/Drawers (3) Wood Top (1) A (6) B (12) C (6)

TRINITY PRO LOGO on front side of cabinet



Wood Top

Base Cabinets w/Drawers



Back of cabinets

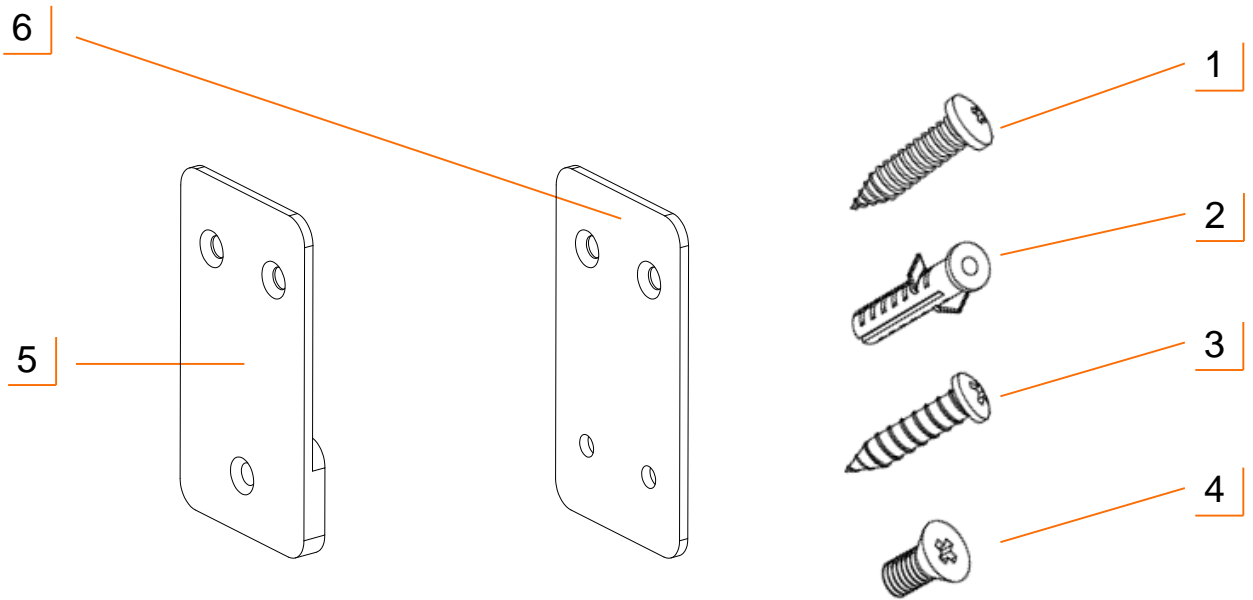
Pre-installed nut on back corner of base cabinet

Bottom Hole Top Hole

SERVICE PARTS LIST

TRINITY Customer Service provides the following replacement parts:

	Part Number	Description		Part Number	Description
1)	XSV-01-036-0425	Wall Screw	4)	XSV-01-027-0408	Cabinet Screw
2)	XGR-01-032-0525	Wall Anchor	5)	PBK-19-009-0300	Wood Top Bracket
3)	XSV-01-036-0416	Wood Screw	6)	PBK-19-010-0300	Wall Bracket



WARNINGS

1. **Read and understand all instructions.** Failure to follow all instructions may result in injury and/or damage.
2. **The warnings, cautions, and instructions discussed in this manual cannot cover all possible conditions or situations that may occur.** The user must always be aware of their environment and ensure that they use the product in a safe and responsible manner.
3. **Do NOT modify the product in any way.** Unauthorized modification may impair the function and/or safety of the product, and may affect the life of the product.
4. **Check for damaged parts.** Before using this product, carefully check that all parts are in good condition, and that the product will operate properly and perform its intended function. Check for damaged parts and any other conditions that may affect the operation of this product. Replace damaged or worn parts, and never use this product with a damaged part.
5. **Do NOT overload the product.** Below capacity is based on evenly distributed weight.

Weight capacity on wood top in Option 1 configuration	600 lb
Weight capacity on wood top in Option 2 configuration	300 lb
Weight capacity on wood top in Option 3 configuration	600 lb

6. **Do NOT use wood top unless it is securely attached.** All screws must be fastened tightly. Check regularly to ensure the screws have not loosened during use of wood top.

CARE AND MAINTENANCE

- Avoid harsh, abrasive cleaners, and other corrosive chemicals.
- Do not use scouring pad for cleaning.
- Clean up any spills immediately to prevent stains from forming on the wood top.
- Wood top can be cleaned with damp cloth and wiped dry immediately with dry cloth. If needed, solvent-based wood furniture cleaner can be used.

PRODUCT REGISTRATION

Thank you for purchasing a TRINITY PRO 56" x 19" Wood Top. In order to register your product and receive streamlined customer service, please fill out the following Product Registration Form and (1) fax the form to 310.347.4134 (2) complete the Product Registration Form online at www.trinityii.com or (3) scan and email the form to customerservice@trinityii.com. Include a copy of your original receipt with your submission.

First Name: _____ Last Name: _____

Address: _____

City: _____ State: _____ Zip Code: _____

Email Address: _____ Phone: _____

Product Model #: TSNLNA-4898 Purchase Date: ____ / ____ / ____

Location of Purchase: _____

Please rate the importance of each feature (1=least important; 10=most important)

Quality ____ Price ____ Size/Capacity ____ Appearance ____ Other ____

How did you hear about our product?

- Magazine Ad Catalog Salesperson Word of Mouth
 Internet Store Display Other

Marital Status: Single Married

Household Income: Below \$50,000 \$50,000-\$150,000 \$150,000+

Education: High School College Graduate School

Primary Residence: Own Rent

Comments/Suggestions:



1 YEAR LIMITED WARRANTY

TRINITY PRO 56" x 19" Wood Top Model # TSNLNA-4898

Trinity International Industries ("Trinity") warrants to the original consumer purchaser ("Purchaser") of the TRINITY PRO 56" x 19" Wood Top ("Product") that each Product shall be free from defects in workmanship and materials for a period of 1 year from the date of original purchase. Trinity's obligation under this warranty shall be limited to repair or replacement of, or adequate compensation for the Product which shall not be greater than the amount of the purchase price of the Product, at the option of Trinity, during the warranty period. All replaced parts and Products become the property of Trinity and must be returned to Trinity.

This warranty excludes normal wear and tear of the Product and its parts or components, and damage arising from any of the following: negligent use or misuse of the Product, use contrary to this User's Manual, or alteration by any one other than Trinity. The warranty period of 1 year shall not be extended or renewed by the repair or replacement of, or compensation for, the Product. Any warranty implied by applicable law is limited in duration to one year from the date of purchase and is subject to the same conditions and limitations as is provided for our express warranty.

Except as set forth herein, and to the extent of applicable there are no warranties on this Product either express or implied, and Trinity disclaims all warranties including, but not limited to, any implied warranties of merchantability, infringement or fitness for a particular purpose. No warranty or guarantee given by any person, firm, or corporation with respect to this product shall be binding on Trinity.

If your Product is defective or otherwise requires service or parts, please call TRINITY Customer Service toll-free at (800) 985-5506, between 5:00 a.m. and 5:00 p.m., PST. Please tell us which model you purchased, the date of the purchase, and the problem with your Product. A copy of your original purchase receipt must accompany your service request.

LIMITATION OF REMEDIES AND LIABILITY

Trinity (and its employees, officers, members, managers, affiliates and assigns) shall not be liable for any incidental, consequential, special, indirect, remote, special or punitive damages for breach of any warranty, express or implied, including, but not limited to, lost profits, lost savings, loss of anticipated benefits and attorneys' fees, which arise out of the purchase, use or inability to use the Product, whether arising out of contract, negligence, strict tort, product liability, or any other legal theory on which a claim is based. As noted above, to the extent damages are allowed by our express warranty or by applicable law, those damages may not exceed the purchase price paid for the Product. Without limiting the foregoing Purchaser assumes all risk and liability for loss, damage or injury to Purchaser and Purchaser's property and to others and their property arising out of the use, misuse, or inability to use this Product. This limited warranty shall not extend to anyone other than the original purchaser of this product, is nontransferable and states your exclusive remedy.

Some states do not allow the exclusion or limitation of incidental, consequential, special, or punitive damages, so the above limitation or exclusion may not apply to you. The above warranty gives you specific legal rights, and you may have other rights which vary from state to state.

CONTACT US

**QUESTIONS? NEED PARTS?
WE ARE HERE TO HELP!**

Please feel free to contact us. There are no questions too small, or any problems too big. We're committed to providing our customers with the highest level of service.

TRINITY Customer Service

TEL: 800.985.5506

FAX: 310.347.4134

EMAIL: customerservice@trinityii.com

**Monday through Friday
5:00 AM – 5:00 PM (PST)**

www.trinityii.com