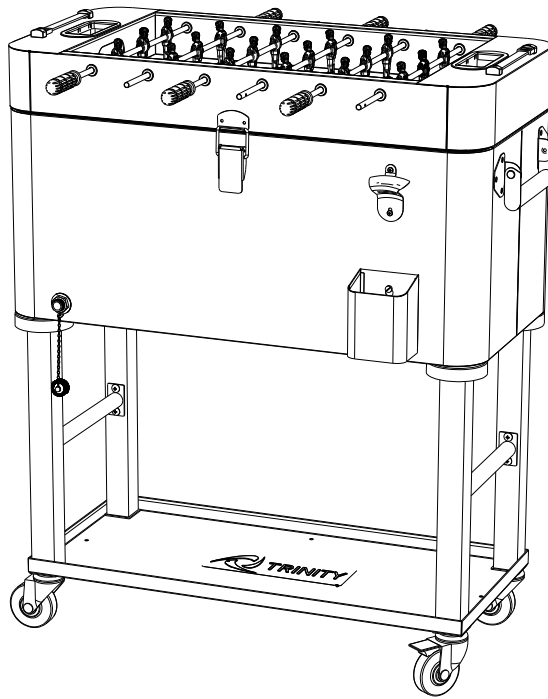




OWNER'S MANUAL



TRINITY FOOSBALL COOLER W/ COVER

Model # TXKPGN-0809 – GREEN / TXKPGR-0809 – GRAY



Important / Important / Importante

FOR QUICK & EASY 3D ASSEMBLY INSTRUCTIONS

POUR DES DIRECTIVES D'ASSEMBLAGE 3D RAPIDES ET FACILES

PARA INSTRUCCIONES DE ENSAMBLAJE RÁPIDAS Y SENCILLAS EN 3D

BILT.[®]

Intelligent Instructions
Directives intelligentes
Instrucciones Inteligentes



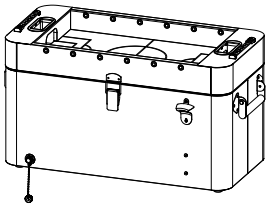
DOWNLOAD THE FREE APP | TÉLÉCHARGER L'APPLICATION GRATUITE | DESCARGUE LA APLICACIÓN GRATUITA

PARTS LIST

Your TRINITY Foosball Cooler should include the following parts. Please inspect box contents to ensure you have received all components. You will need a Phillips screwdriver for assembly.

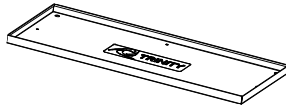
If you are missing any parts, need assistance with assembly or have questions, please contact TRINITY Customer Service: 800.985.5506 or customerservice@trinityii.com. Parts can also be requested online via our "Contact Us" section at www.trinityii.com.

A



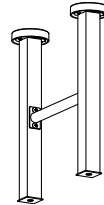
TUB (1)

B



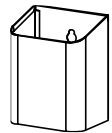
SHELF (1)

C



FRAME (2)

D



CAP CATCHER (1)

E



CASTER (4)

F



WRENCH (1)

G



GRAY PLAYER (8)

H



ORANGE PLAYER (8)

I



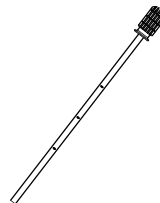
GRAY GOALIE (1)

J



ORANGE GOALIE (1)

K



ROD (6)

L



SCREW (18)
+ (2) extra

M



END CAP (6)

N



COVER (1)

O



BALL (3)

ASSEMBLY INSTRUCTIONS

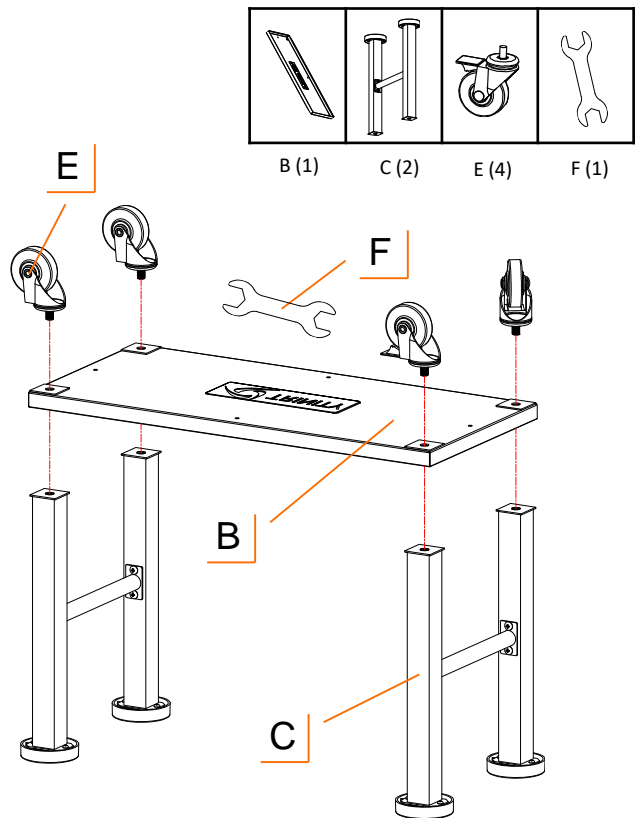
STEP 1

Place FRAMES (C) upside down so that black circular receivers are on floor and approximately SHELF (B) width apart.

Align holes in SHELF (B) with bottom of FRAME (C), making sure that SHELF Lip is facing downwards.

Screw CASTERS (E) into bottom of FRAMES (C), securing SHELF (B) in-between. Tighten all CASTERS (E) with provided WRENCH (F).

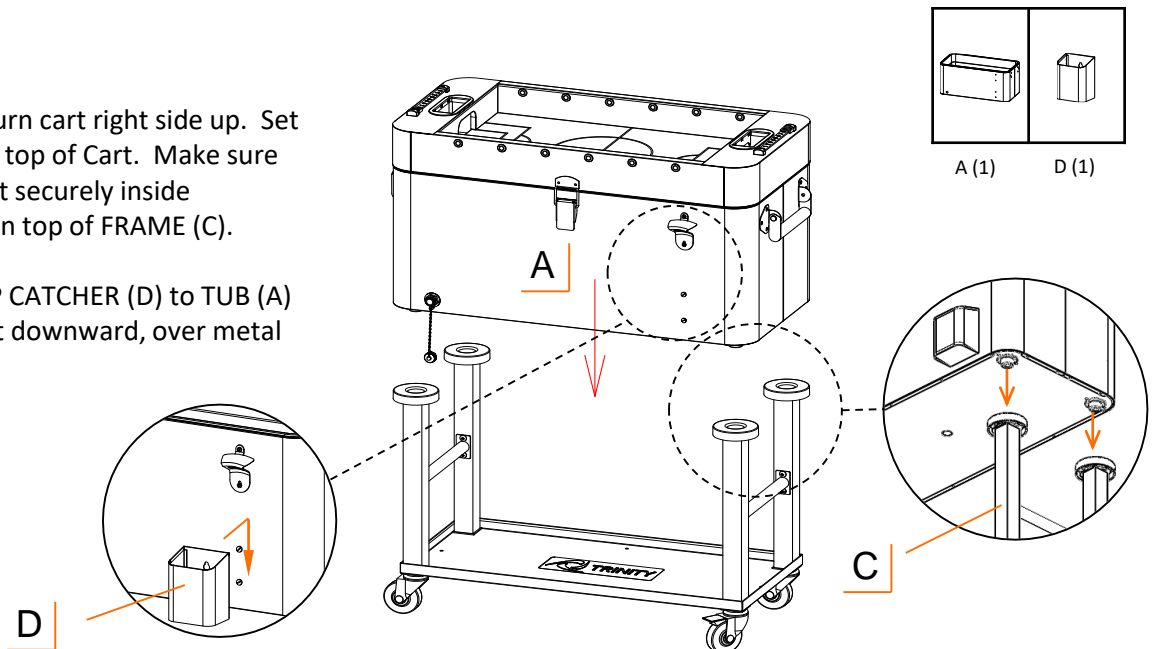
Use provided caster wrench to tighten completely. Failure to do as instructed could result in caster stem breaking.



STEP 2

Carefully turn cart right side up. Set TUB (A) on top of Cart. Make sure Tub Feet sit securely inside receivers on top of FRAME (C).

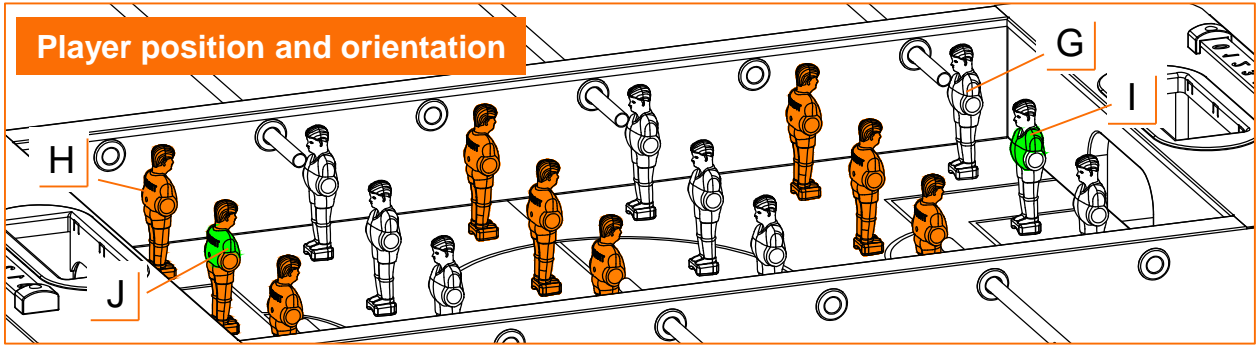
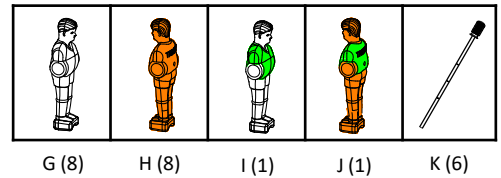
Attach CAP CATCHER (D) to TUB (A) by sliding it downward, over metal notches.



ASSEMBLY INSTRUCTIONS

STEP 3

Identify correct players and goalies and ensure they are in correct position and orientation.



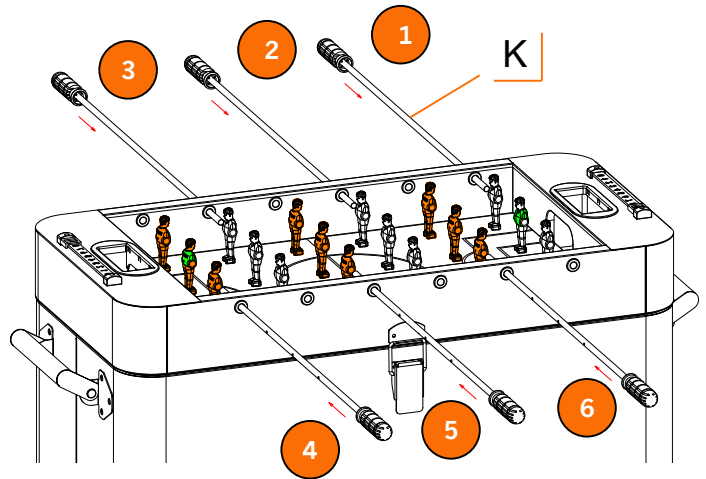
Take 1st ROD (K) and insert it through hole on side of playing field closest to goal. Then in sequence place a GRAY PLAYER (G), GRAY GOALIE (I), and another GRAY PLAYER (G), onto ROD (K). **Ensure players and goalie are facing same direction away from their own goal.** Insert ROD (K) through hole on opposite side.

Staying on the same side of field, take 2nd ROD (K) and skip over one hole, insert it through next hole. Then place three GRAY PLAYERS (G) onto ROD (K). Insert ROD (K) through corresponding hole on the opposite side.

Take 3rd ROD (K) and repeat for remaining three GRAY PLAYERS (G) same as 2nd ROD (K).

Now, move to opposite side of field and repeat for 4th, 5th, 6th ROD (K) placing ORANGE PLAYERS (H) and ORANGE GOALIE (J).

Once all players are placed on rods, check to ensure all players and goalies are in correct position and orientation.

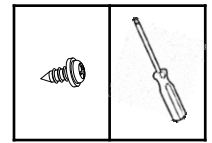


ASSEMBLY INSTRUCTIONS

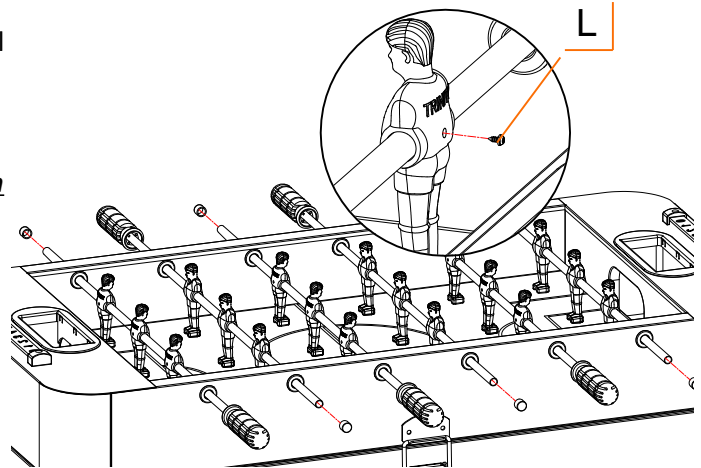
STEP 4

Slide each player or goalie until hole on back of player or goalie align with hole on ROD (K). Insert a SCREW (L) through back of each player or goalie and fasten tightly to ROD (K) with a Phillips screwdriver. Only tighten until SCREW (L) seat flush with player or goalie's back.

Do NOT use an electric screwdriver to fasten the screw. Do NOT over tighten with screwdriver. You might strip the screw.

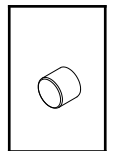


L (18) Phillips

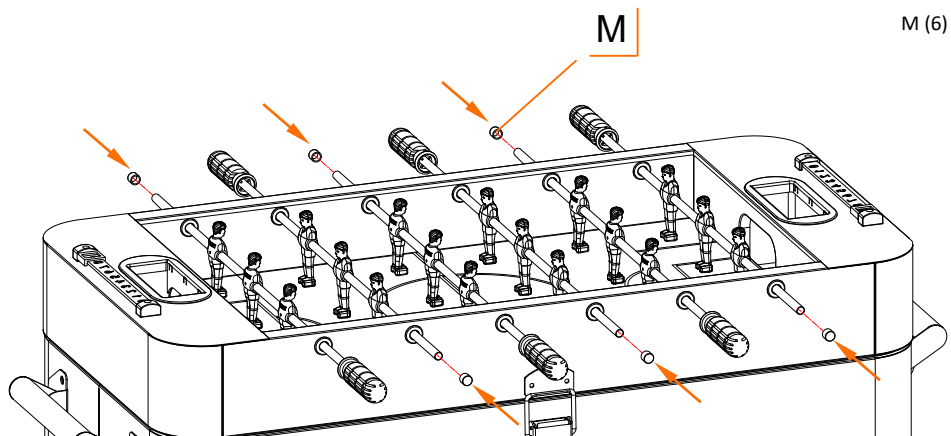


STEP 5

Attach END CAP (M) to each ROD (K) by pushing it on securely.



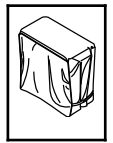
M (6)



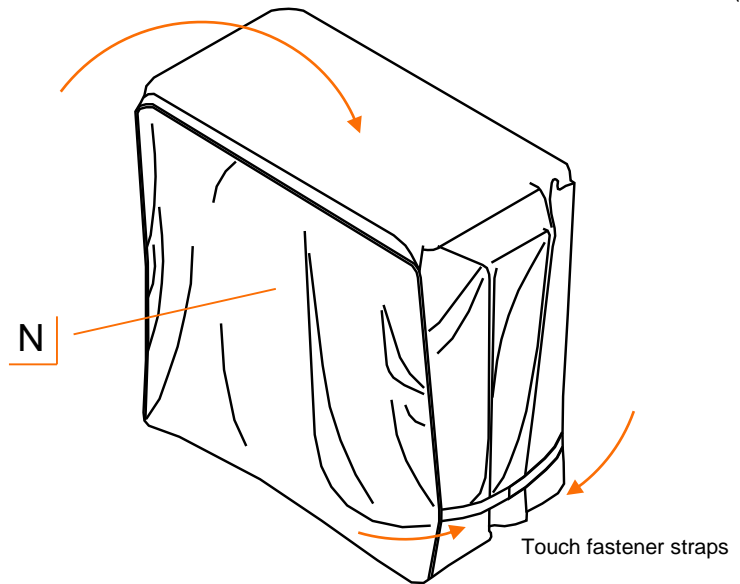
ASSEMBLY INSTRUCTIONS

STEP 6

Unfold COVER (N) and put it onto assembled cooler. Pull touch fastener straps to secure COVER (N).

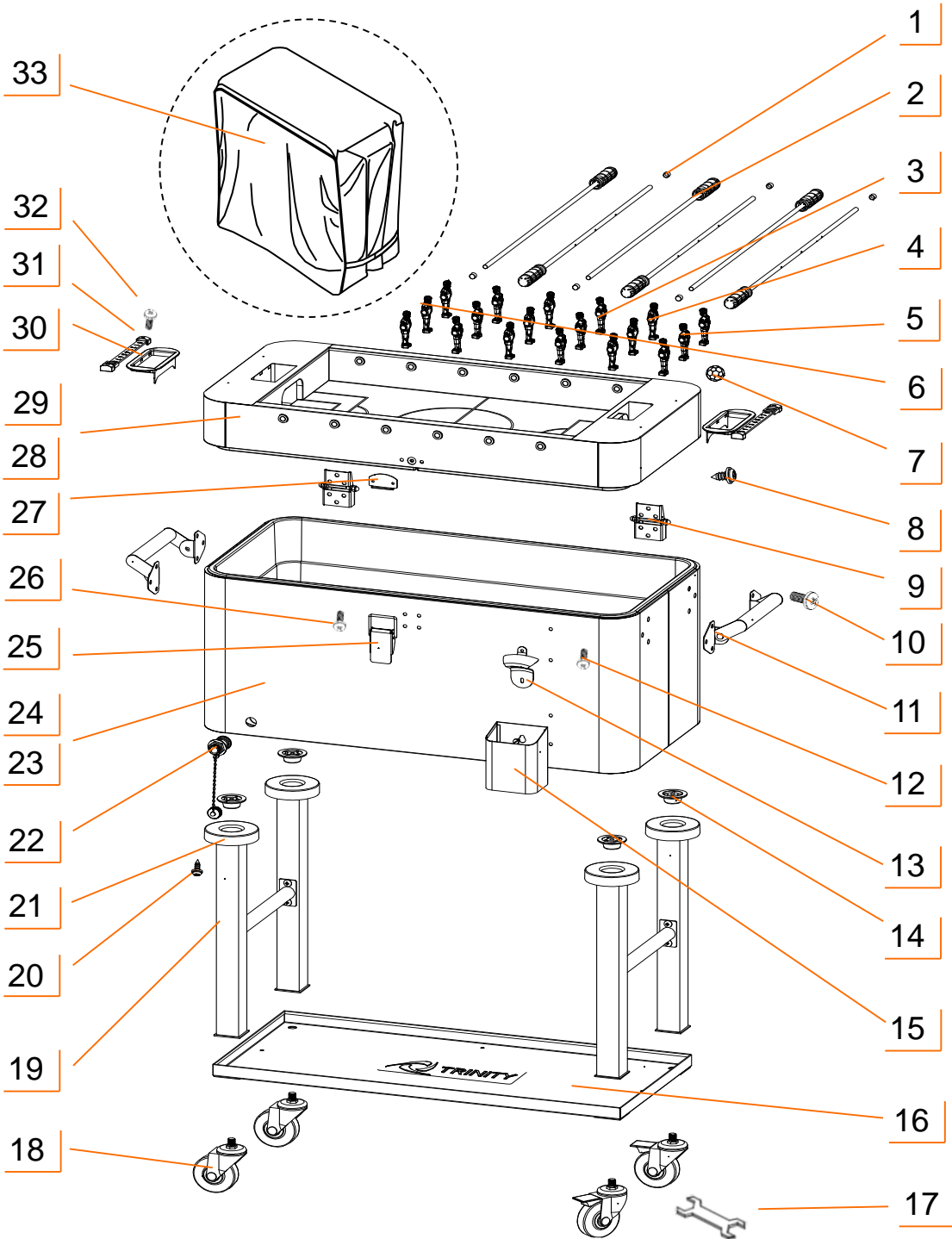


N (1)



SERVICE PARTS LIST – TXKPGN-0809 / TXKPGR-0809

TRINITY Customer Service provides the following replacement parts:



SERVICE PARTS LIST – TXKPGN-0809 / TXKPGR-0809

TRINITY Customer Service provides the following replacement parts:

	Part Number	Description		Part Number	Description
1)	XBK-23-011-0001	End Cap	18)	ZSV-99-012-3010	Caster
2)	XSV-13-016-2400	Rod	19)	PGR-14-015-1517	Frame
3)	XOR-02-048-0001	Orange Player	20)	XSV-01-033-0415	Receiver Screw
4)	XGR-02-048-0001	Gray Player	21)	XBK-02-019-0001	Plastic Receiver
5)	XOR-02-049-0001	Orange Goalie	22)	CGL-02-003-0001	Drain Plug
6)	XGR-02-049-0001	Gray Goalie	23)	PGN-18-025-3115	Cooler Tub (Green)
7)	XWH-02-050-0001	Ball	24)	PGR-18-025-3115	Cooler Tub (Gray)
8)	XSV-01-036-0310	Screw	25)	XST-11-007-0002	Buckle
9)	XST-09-016-0001	Hinge	26)	XSV-01-010-0410	Buckle/Latch Screw
10)	XSV-01-010-0615	Large Screw	27)	XST-11-007-0001	Latch
11)	XSV-05-023-0675	Folding Handle	28)	PGN-17-011-3115	Foosball Lid (Green)
12)	XSV-01-010-0416	Small Screw	29)	PGR-17-011-3115	Foosball Lid (Gray)
13)	XST-02-004-0001	Bottle Opener	30)	XBK-02-051-0001	Bezel
14)	XBK-98-009-4818	Tub Foot	31)	XBK-02-052-0001	Score Strip
15)	XST-02-005-0002	Cap Catcher	32)	ZBK-01-003-0416	Score Strip Screw
16)	PGR-03-028-2913	Shelf	33)	UBK-24-001-3524	Cover
17)	XXX-97-002-0007	Wrench			



WARNINGS

CHOKER HAZARD! This product contains small balls and parts and is NOT suitable for children under 4 years of age.

1. **Read and understand all instructions.** Failure to follow all instructions may result in injury and/or damage.
2. **The warnings, cautions, and instructions discussed in this manual cannot cover all possible conditions or situations that may occur.** The user must always be aware of their environment and ensure that they use the product in a safe and responsible manner.
3. **Use the provided caster wrench to tighten completely.** Failure to do as instructed could result in the caster stem breaking thereby causing the cooler to collapse.
4. **Do NOT modify the product in any way.** Unauthorized modification may impair the function and/or safety of the product and may affect the life of the product. Any modifications will void product warranty.
5. **Check for damaged parts.** Before using this product, carefully check that all parts are in good condition, and that the product will operate properly and perform its intended function. Check for damaged parts and any other conditions that may affect the operation of this product. Replace damaged or worn parts, and never use this product with a damaged part.
6. **Do NOT let children climb or play in the tub.**
7. **Do NOT overload the product.**

Volume Capacity	20 gallons / 80 qt
Weight capacity per shelf	50 lb
Total weight capacity	200 lb

8. **Ensure all casters are locked before using the foosball playing field.** Lock the casters when leaving cooler in stationary position.
9. **Do NOT push cooler with cart on uneven surface.** Ensure cooler tub is sitting securely on leg frames before moving the cart. Otherwise cooler tub may detach from the cart, and casters may be loosened and damaged causing the cart to collapse.
10. **Do NOT lift or move cooler tub with player rods.** Lift and move by side handles ONLY.

CARE AND MAINTENANCE

- Remember to drain water and remove un-melted ice after use. Wipe dry for storage.
- Avoid abrasive cleaners and other corrosive chemicals. Do not use scouring pad for cleaning.
- Avoid damp environments. Should not be left out unprotected in the elements.

1 YEAR LIMITED WARRANTY

TRINITY Foosball Cooler w/ Cover Model # TXKPGN-0809/TXKPGR-0809

Trinity International Industries (“Trinity”) warrants to the original consumer purchaser (“Purchaser”) of the TRINITY Foosball Cooler w/ Cover (“Product”) that each Product shall be free from defects in workmanship and materials for a period of 1 year from the date of original purchase. Trinity’s obligation under this warranty shall be limited to repair or replacement of, or adequate compensation for the Product which shall not be greater than the amount of the purchase price of the Product, at the option of Trinity, during the warranty period. All replaced parts and Products become the property of Trinity and must be returned to Trinity.

This warranty excludes normal wear and tear of the Product and its parts or components, and damage arising from any of the following: negligent use or misuse of the Product, use contrary to this User’s Manual, or alteration by any one other than Trinity. The warranty period of 1 year shall not be extended or renewed by the repair or replacement of, or compensation for, the Product. Any warranty implied by applicable law is limited in duration to one year from the date of purchase and is subject to the same conditions and limitations as is provided for our express warranty.

Except as set forth herein, and to the extent of applicable there are no warranties on this Product either express or implied, and Trinity disclaims all warranties including, but not limited to, any implied warranties of merchantability, infringement or fitness for a particular purpose. No warranty or guarantee given by any person, firm, or corporation with respect to this product shall be binding on Trinity.

If your Product is defective or otherwise requires service or parts, please call TRINITY Customer Service toll-free at (800) 985-5506, between 5:00 a.m. and 5:00 p.m., PST. Please tell us which model you purchased, the date of the purchase, and the problem with your Product. A copy of your original purchase receipt must accompany your service request.

LIMITATION OF REMEDIES AND LIABILITY

Trinity (and its employees, officers, members, managers, affiliates and assigns) shall not be liable for any incidental, consequential, special, indirect, remote, special or punitive damages for breach of any warranty, express or implied, including, but not limited to, lost profits, lost savings, loss of anticipated benefits and attorneys’ fees, which arise out of the purchase, use or inability to use the Product, whether arising out of contract, negligence, strict tort, product liability, or any other legal theory on which a claim is based. As noted above, to the extent damages are allowed by our express warranty or by applicable law, those damages may not exceed the purchase price paid for the Product. Without limiting the foregoing Purchaser assumes all risk and liability for loss, damage or injury to Purchaser and Purchaser’s property and to others and their property arising out of the use, misuse, or inability to use this Product. This limited warranty shall not extend to anyone other than the original purchaser of this product, is nontransferable and states your exclusive remedy.

Some states do not allow the exclusion or limitation of incidental, consequential, special, or punitive damages, so the above limitation or exclusion may not apply to you. The above warranty gives you specific legal rights, and you may have other rights which vary from state to state.

CONTACT US

**QUESTIONS? NEED PARTS?
WE ARE HERE TO HELP!**

Please feel free to contact us. There are no questions too small, or any problems too big. We're committed to providing our customers with the highest level of service.

TRINITY Customer Service

TEL: 800.985.5506

FAX: 310.347.4134

EMAIL: customerservice@trinityii.com

**Monday through Friday
5:00 AM – 5:00 PM (PST)**

www.trinityii.com