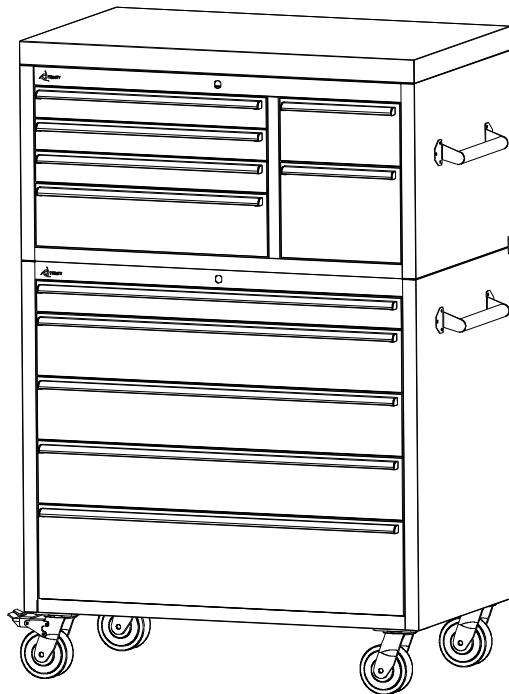




OWNER'S MANUAL



TRINITY 43"x25" STAINLESS STEEL TOOL CHEST - COMBO Model # TLS-0408



Important / Important / Importante

FOR QUICK & EASY 3D ASSEMBLY INSTRUCTIONS

POUR DES DIRECTIVES D'ASSEMBLAGE 3D RAPIDES ET FACILES

PARA INSTRUCCIONES DE ENSAMBLAJE RÁPIDAS Y SENCILLAS EN 3D

BILT.[®]

Intelligent Instructions
Directives intelligentes
Instrucciones Inteligentes



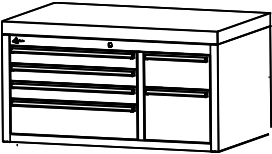
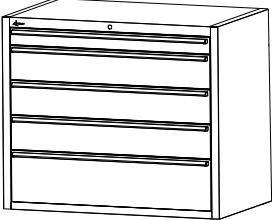
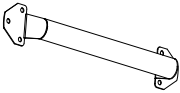

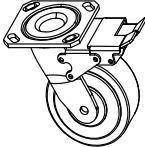




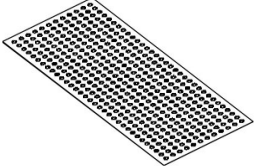

DOWNLOAD THE FREE APP | TÉLÉCHARGER L'APPLICATION GRATUITE | DESCARGUE LA APLICACIÓN GRATUITA

PARTS LIST

Your TRINITY 43"x25" Stainless Steel Tool Chest – Combo should include the following parts. Please inspect box contents to ensure you have received all components.

If you are missing any parts, need assistance with assembly or have questions, please contact TRINITY Customer Service: 800.985.5506 or customerservice@trinityii.com. Parts can also be requested online via our "Contact Us" section at www.trinityii.com.

You will need 10mm wrench (for handles), 14mm wrench (for casters) and Phillips screwdriver for assembly. Not included.

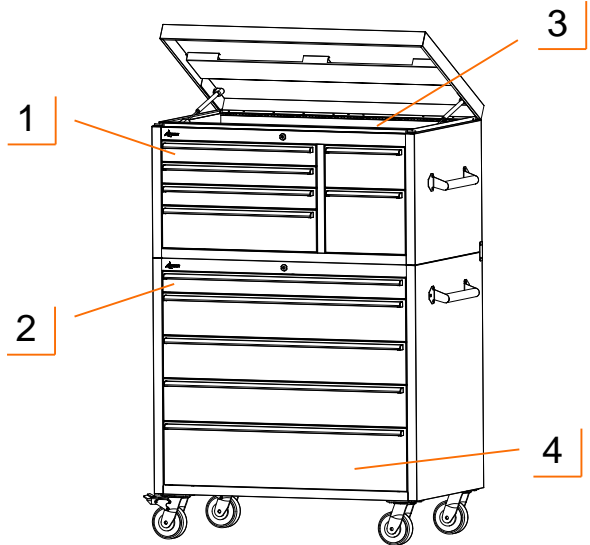
- | | | | |
|---|---|---|---|
| A | B | C | D |
|  |  |  |  |
| TOP CHEST (1) | BOTTOM CHEST (1) | SIDE HANDLE (4) | HANDLE BOLT (24)
M6 |
| E | F | G | H |
|  |  |  |  |
| LOCKING
CASTER (2) | NON-LOCKING
CASTER (2) | CASTER BOLT (16)
M10 | REAR BRACE (2) |
| I | J | K | |
|  |  |  | |
| BRACE SCREW (8) | LINER (12) | KEY (4) | |

ASSEMBLY INSTRUCTIONS

STEP 1

Location of parts:

- 1) 2 KEYS (K) are hooked to key leash mounted inside TOP LEFT drawer of TOP CHEST (A)
- 2) 2 KEYS (K) are hooked to key leash mounted inside TOP drawer of BOTTOM CHEST (B).
- 3) 2 SIDE HANDLES (C) / 12 HANDLE BOLTS (D) and 7 LINERS (J) for TOP CHEST (A) are inside TOP lid.
- 4) 2 SIDE HANDLES (C) / 12 HANDLE BOLTS (D) / 4 CASTERS (E/F) / 16 CASTER BOLTS (G) / 2 REAR BRACES (H) / 8 BRACE SCREWS (I) and 5 LINERS (J) for BOTTOM CHEST (B) are inside BOTTOM drawer.

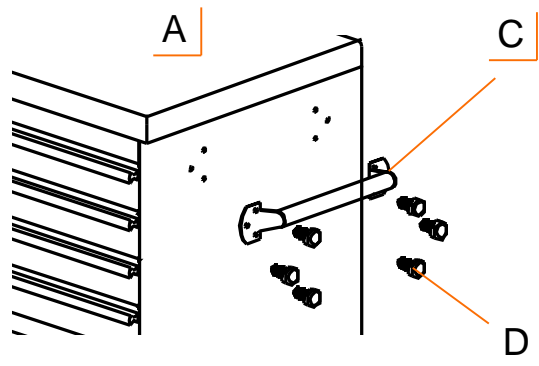
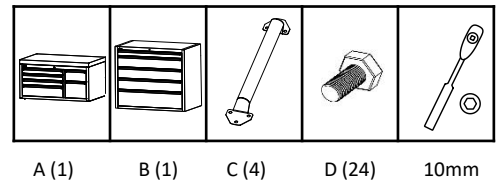


STEP 2

Position SIDE HANDLE (C) over pre-installed nuts on side of TOP CHEST (A). Insert HANDLE BOLTS (D) through holes on SIDE HANDLE (C). Use a 10mm socket wrench to fully tighten HANDLE BOLTS (D) to TOP CHEST (A).

Repeat to install all remaining SIDE HANDLES (C).

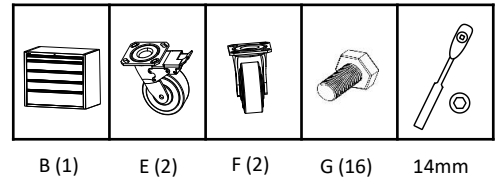
Be sure to assemble SIDE HANDLES (C) on both TOP CHEST (A) and BOTTOM CHEST (B) to make it easier to move your Tool Chest.



ASSEMBLY INSTRUCTIONS

STEP 3

Carefully lay **BOTTOM CHEST (B)** on its backside. Two people are needed. Do NOT attempt this alone.

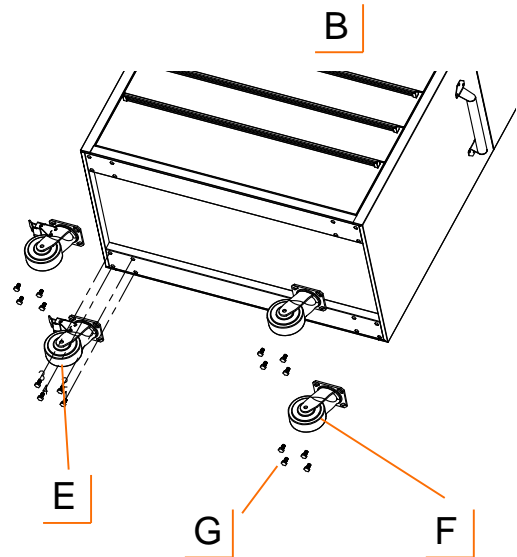


Position **LOCKING CASTERS (E)** on side of **BOTTOM CHEST (B)** of your choice and align holes to pre-installed nuts on underside of **BOTTOM CHEST (B)**. Use a 14mm socket wrench to fully tighten **CASTER BOLTS (G)** to **BOTTOM CHEST (B)**.

Repeat to install **NON-LOCKING CASTERS (F)**.

Notes:

- * Make sure to install both **LOCKING CASTERS (E)** on same side of tool chest.
- ** For ease of use, place **LOCKING CASTERS (E)** on side you will regularly push or pull.
- *** If you plan to push tool chest against a wall, place **LOCKING CASTERS (E)** on front long side for ease of access.

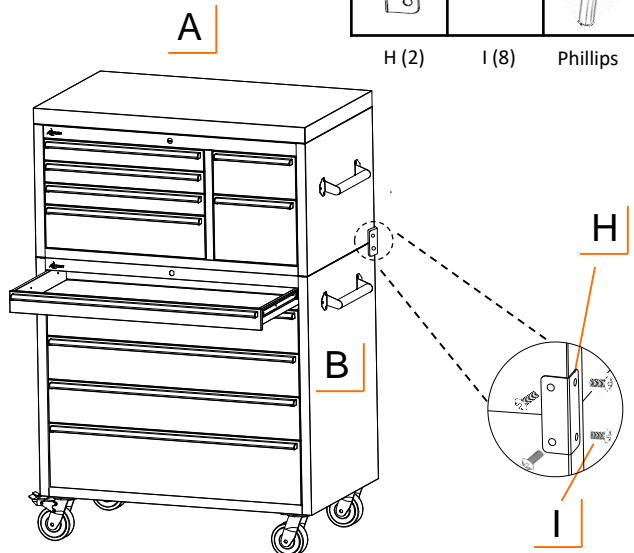
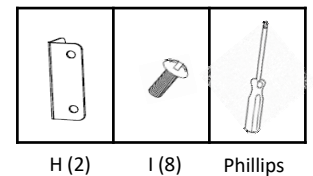


STEP 4

With two people, stand **BOTTOM CHEST (B)** back up, carefully place **TOP CHEST (A)** on top of **BOTTOM CHEST (B)**. Be sure to assemble **REAR BRACES (H)** to secure **TOP CHEST (A)** to **BOTTOM CHEST (B)**.

Position **REAR BRACE (H)** over pre-installed nuts at back edge where two **CHESTS (A+B)** adjoin. Insert **BRACE SCREWS (I)** to holes on **REAR BRACE (H)** and tighten securely.

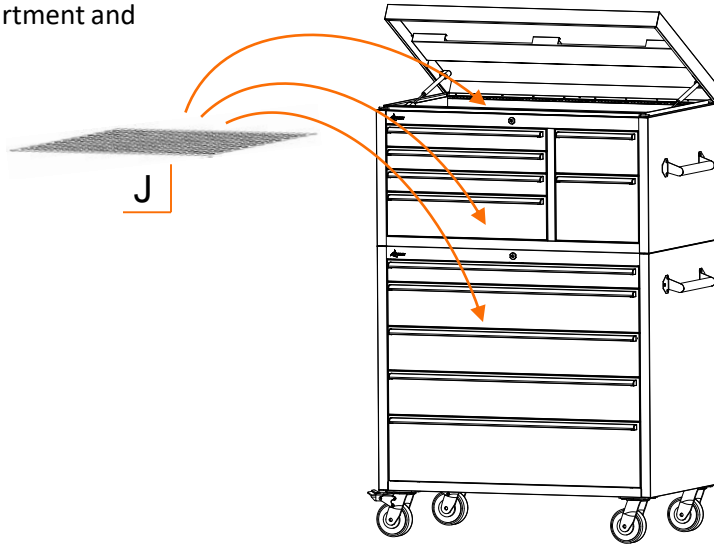
Repeat to install second **REAR BRACE (H)**.



ASSEMBLY INSTRUCTIONS

STEP 5

Place LINERS (J) inside top compartment and inside each drawer.

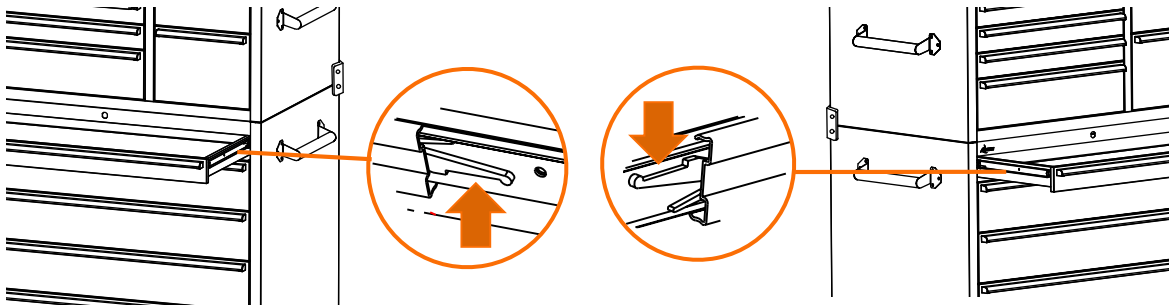


USAGE INSTRUCTIONS

DRAWER REMOVAL

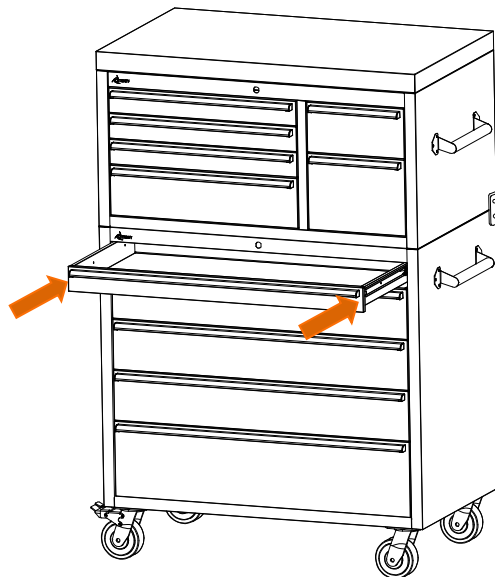
Pull drawer out so that it is almost fully extended. On RIGHT-hand side, push black release lever DOWN. On LEFT-hand side, pull black release lever UP. While holding levers as instructed, pull drawer forward until released from slides attached to tool chest ("Tool Chest Slides").

Note: Slides attached to drawer ("Drawer Slides") are an integral part of drawer and must be removed along with drawer itself.



DRAWER REPLACEMENT

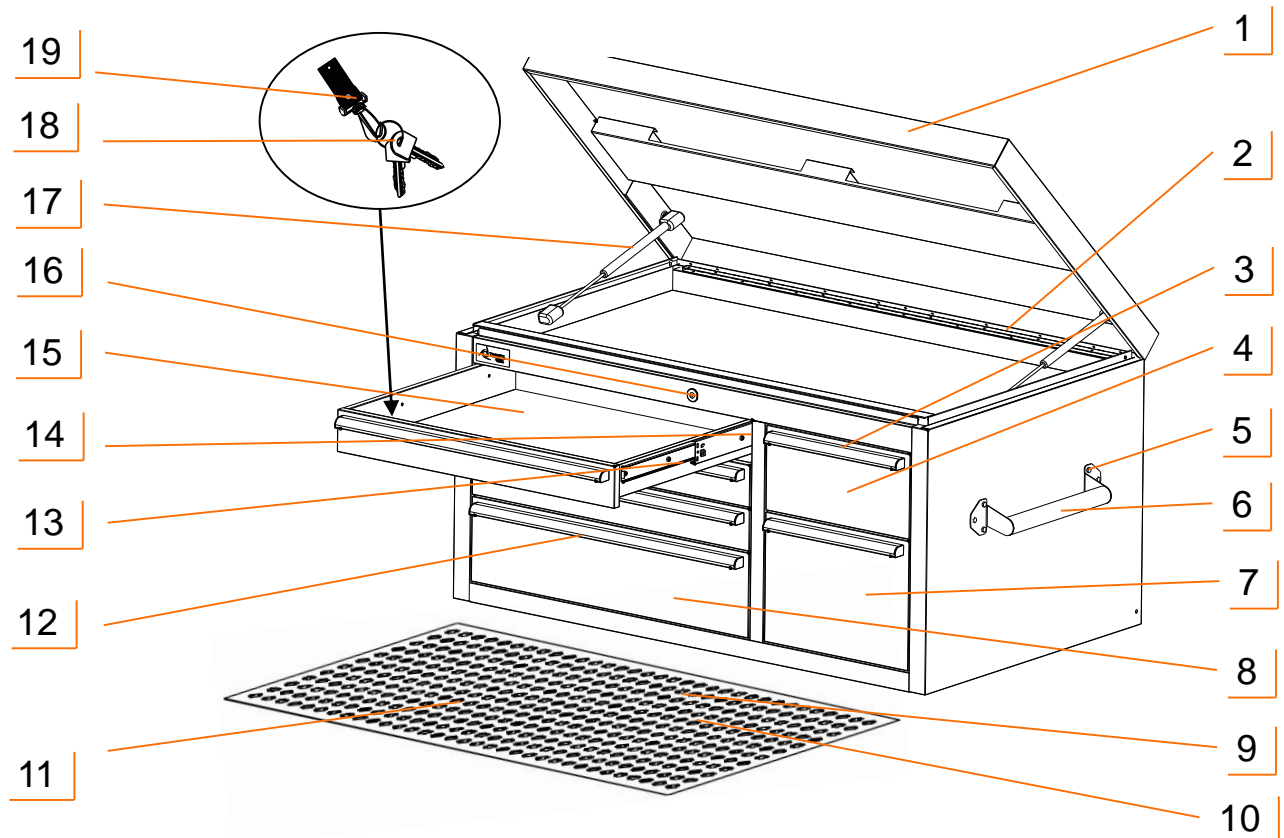
To replace drawer, pull slides out completely. Insert brackets on each side of Drawer Slides into corresponding slots on Tool Chest Slides, making sure they are properly positioned. Once brackets **are** inserted into slots, completely close drawer to set all slides in their proper positions.



SERVICE PARTS LIST – TLS-0408: TOP CHEST

TRINITY Customer Service provides the following replacement parts:

Part Number	Description	Part Number	Description
1) XBS-17-003-4325	Top Lid	11) XBK-22-001-4122	Top Liner
2) XST-09-017-0001	Top Lid Hinge	12) AMA-05-019-2100	21" Drawer handle
3) AMA-05-019-1400	14" Drawer Handle	13) ZSV-12-001-2000	Slide (drawer side)
4) XBS-07-014-1506	15" Small Drawer	14) ZSV-12-015-2000	Slide (tool chest side)
5) ZSV-01-001-0612	Handle Bolt	15) XBS-07-014-2203	22" Small Drawer
6) XSV-05-001-1100	Side Handle	16) CSV-11-001-0XXX	Lock
7) XBS-07-014-1509	15" Large Drawer	17) PBK-09-002-0002	Gas Lift
8) XBS-07-014-2206	22" Large Drawer	18) XBK-10-001-0XXX	Key
9) XBK-22-001-2015	15" Drawer Liner	19) XBK-02-047-0001	Key leash
10) XBK-22-001-2022	22" Drawer Liner		

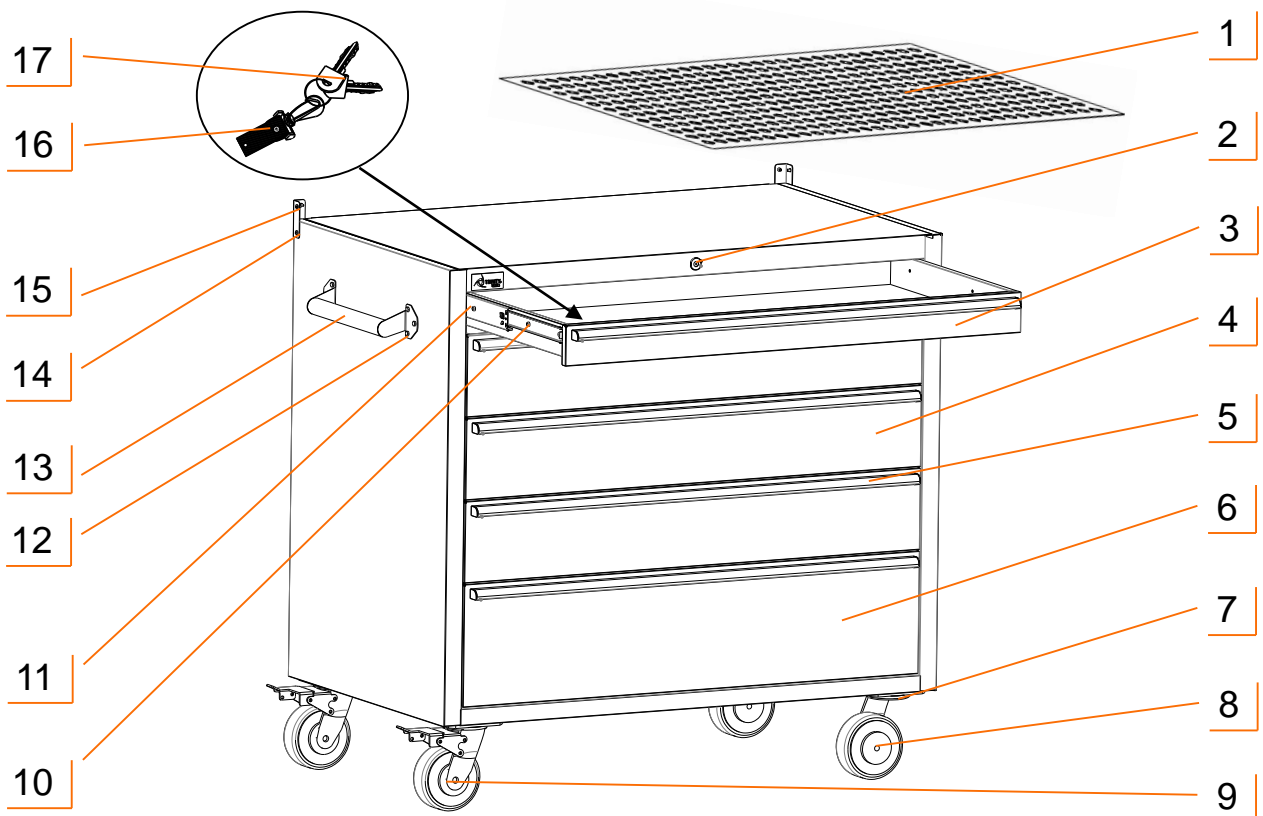


NOTE: Replacement keys may be ordered using the code shown on the face of lock. Top and Bottom Chests may have different key codes.

SERVICE PARTS LIST – TLS-0408: BOTTOM CHEST

TRINITY Customer Service provides the following replacement parts:

Part Number	Description	Part Number	Description
1) XBK-22-001-2239	Drawer Liner	10) ZSV-12-001-2200	Slide (drawer side)
2) CSV-11-001-0XXX	Lock	11) ZSV-12-015-2200	Slide (tool chest side)
3) XBS-07-015-3903	Small Drawer	12) ZSV-01-001-0612	Handle Bolt
4) XBS-07-015-3906	Medium Drawer	13) XSV-05-001-1100	Side Handle
5) AMA-05-019-3800	Drawer Handle	14) ZSV-01-004-0410	Brace Screw
6) XBS-07-015-3909	Large Drawer	15) ZSV-19-003-0275	Rear Brace
7) ZSV-01-001-1020	Caster Bolt	16) XBK-02-047-0001	Key leash
8) ZSV-99-002-5020	Non-locking Caster	17) XBK-10-001-0XXX	Key
9) ZSV-99-001-5020	Locking Caster		



NOTE: Replacement keys may be ordered using the code shown on the face of lock. Top and Bottom Chests may have different key codes.

WARNINGS

1. **Read and understand all instructions.** Failure to follow all instructions may result in injury and/or damage.
2. **The warnings, cautions, and instructions discussed in this manual cannot cover all possible conditions or situations that may occur.** The user must always be aware of their environment and ensure that they use the product in a safe and responsible manner.
3. **Do NOT modify the product in any way.** Unauthorized modification may impair the function and/or safety of the product, and may affect the life of the product.
4. **Check for damaged parts.** Before using this product, carefully check that all parts are in good condition, and that the product will operate properly and perform its intended function. Check for damaged parts and any other conditions that may affect the operation of this product. Replace damaged or worn parts, and never use this product with a damaged part.
5. **Do NOT overload the product.** Below capacity is based on evenly distributed weight.

Weight capacity per drawer w/ 1 pair of slides	45.4 kg / 100 lb
Weight capacity per drawer w/ 2 pairs of slides	90.7 kg / 200 lb
Total weight capacity of tool chest combo	997.9 kg / 2200 lb

6. **Lock casters when leaving tool chest in stationary position.**
7. **Lock drawers and lid before moving tool chest.**
8. **Do NOT open more than one drawer at a time.** Tipping can occur.
9. **Do NOT step or lean on open drawers.** Tipping can occur.
10. **Do NOT let children play near tool chest.**
11. **Load tool chest starting with bottom drawers to prevent tool chest from tipping**
12. **Make sure all drawers are closed tightly before locking or unlocking.**

CARE AND MAINTENANCE

- Avoid harsh, abrasive cleaners, and other corrosive chemicals. Do not use scouring pad for cleaning.
- Keep dry and avoid damp environments.
- Use a quality stainless steel cleaner and follow instructions that come with the cleaner. Wipe **ALONG** the grain (**NOT** against).

1 YEAR LIMITED WARRANTY

TRINITY 43"x25" Stainless Steel Tool Chest - Combo Model # TLS-0408

Trinity International Industries ("Trinity") warrants to the original consumer purchaser ("Purchaser") of the TRINITY 43"x 25" Stainless Steel Tool Chest-Combo ("Product") that each Product shall be free from defects in workmanship and materials for a period of 1 year from the date of original purchase. Trinity's obligation under this warranty shall be limited to repair or replacement of, or adequate compensation for the Product which shall not be greater than the amount of the purchase price of the Product, at the option of Trinity, during the warranty period. All replaced parts and Products become the property of Trinity and must be returned to Trinity.

This warranty excludes normal wear and tear of the Product and its parts or components, and damage arising from any of the following: negligent use or misuse of the Product, use contrary to this User's Manual, or alteration by any one other than Trinity. The warranty period of 1 year shall not be extended or renewed by the repair or replacement of, or compensation for, the Product. Any warranty implied by applicable law is limited in duration to one year from the date of purchase and is subject to the same conditions and limitations as is provided for our express warranty.

Except as set forth herein, and to the extent of applicable there are no warranties on this Product either express or implied, and Trinity disclaims all warranties including, but not limited to, any implied warranties of merchantability, infringement or fitness for a particular purpose. No warranty or guarantee given by any person, firm, or corporation with respect to this product shall be binding on Trinity.

If your Product is defective or otherwise requires service or parts, please call TRINITY Customer Service toll-free at (800) 985-5506, between 5:00 a.m. and 5:00 p.m., PST. Please tell us which model you purchased, the date of the purchase, and the problem with your Product. A copy of your original purchase receipt must accompany your service request.

LIMITATION OF REMEDIES AND LIABILITY

Trinity (and its employees, officers, members, managers, affiliates and assigns) shall not be liable for any incidental, consequential, special, indirect, remote, special or punitive damages for breach of any warranty, express or implied, including, but not limited to, lost profits, lost savings, loss of anticipated benefits and attorneys' fees, which arise out of the purchase, use or inability to use the Product, whether arising out of contract, negligence, strict tort, product liability, or any other legal theory on which a claim is based. As noted above, to the extent damages are allowed by our express warranty or by applicable law, those damages may not exceed the purchase price paid for the Product. Without limiting the foregoing Purchaser assumes all risk and liability for loss, damage or injury to Purchaser and Purchaser's property and to others and their property arising out of the use, misuse, or inability to use this Product. This limited warranty shall not extend to anyone other than the original purchaser of this product, is nontransferable and states your exclusive remedy.

Some states do not allow the exclusion or limitation of incidental, consequential, special, or punitive damages, so the above limitation or exclusion may not apply to you. The above warranty gives you specific legal rights, and you may have other rights which vary from state to state.

CONTACT US

**QUESTIONS? NEED PARTS?
WE ARE HERE TO HELP!**

Please feel free to contact us. There are no questions too small, or any problems too big. We're committed to providing our customers with the highest level of service.

TRINITY Customer Service

TEL: 800.985.5506

FAX: 310.347.4134

EMAIL: customerservice@trinityii.com

**Monday through Friday
5:00 AM – 5:00 PM (PST)**

www.trinityii.com