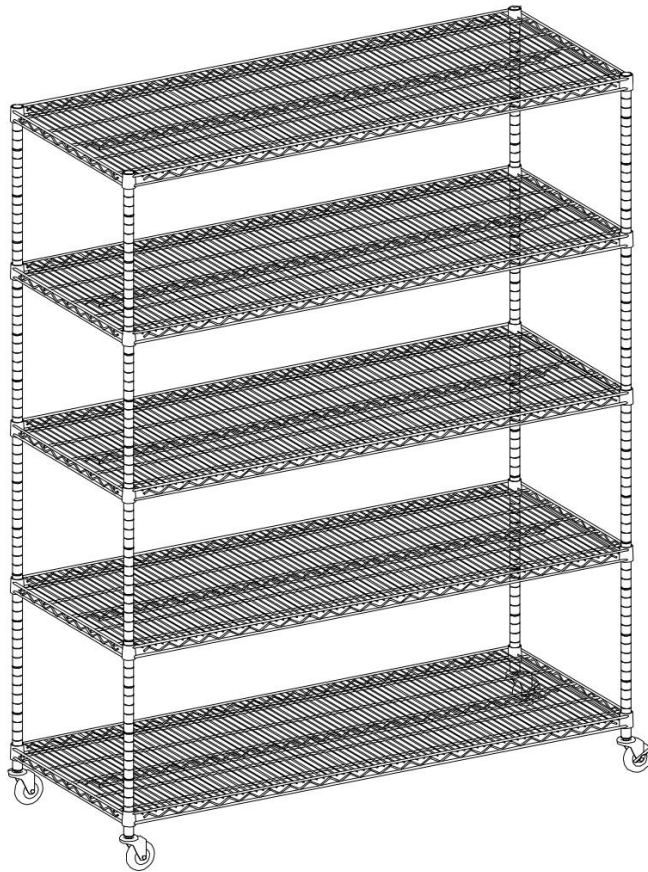




## OWNER'S MANUAL



**TRINITY BASICS 5-TIER 60" x 24" x 72" NSF  
WIRE SHELVING RACK w/WHEELS  
Model # TBFPB-0931 / TBFC-0931**

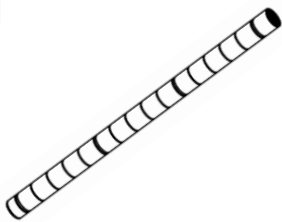
# PARTS LIST

Your TRINITY Basics 5-Tier 60" x 24" x 72" NSF Wire Shelving Rack w/ Wheels should include the following parts. Please inspect box contents to ensure you have received all components.

If you are missing any parts, need assistance with assembly or have questions, please contact TRINITY Customer Service: 800.985.5506 or [customerservice@trinityii.com](mailto:customerservice@trinityii.com). Parts can also be requested online at [www.trinityii.com](http://www.trinityii.com) (Help & More, Contact Us).

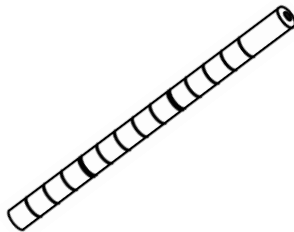
You will need no additional tools for assembly.

A



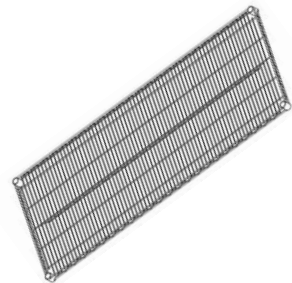
**TOP POLE (4)**  
End Cap (4) and  
Pole Connector (4)  
are pre-installed

B



**BOTTOM POLE (4)**  
Threaded Insert (4)  
is pre-installed

C



**SHELF (5)**

D



**SLIP SLEEVE**  
(40) + (2) extra

E



**LOCKING  
CASTER (2)**

F



**NON-LOCKING  
CASTER (2)**

G



**WRENCH (1)**

H



**FEET LEVELER (4)**  
For stationary option

# ASSEMBLY INSTRUCTIONS

## STEP 1

### Stationary Option

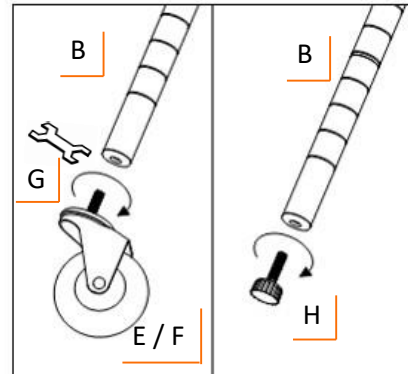
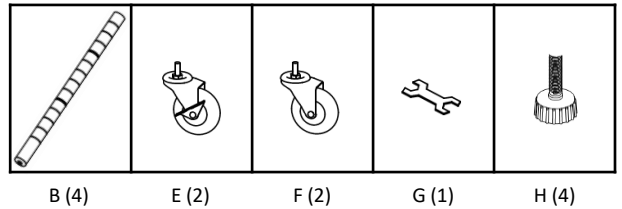
Screw each FEET LEVELER (H) into the bottom of each BOTTOM POLE (B). Turn clockwise to screw in place.

**Warning: For safety, at least half of the FEET LEVELER (H) stem must be screwed into BOTTOM POLE (B).**

### Mobile Option

Screw each CASTER (E & F) into the bottom of a BOTTOM POLE (B). Turn clockwise to screw in place. Use the provided WRENCH (G) to tighten completely. Make sure the locking casters are on the same side.

**Use the provided WRENCH (G) to tighten completely.**  
**Failure to do as instructed could result in the caster stem breaking.**

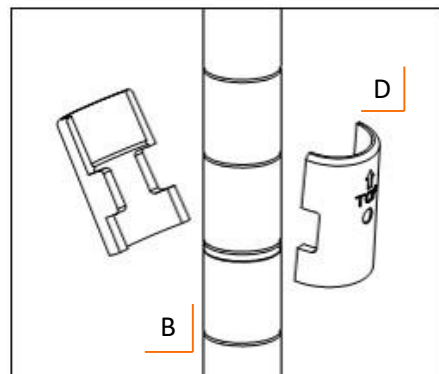
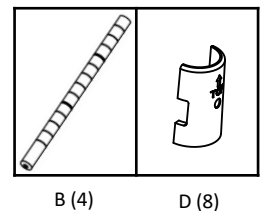


## STEP 2

On BOTTOM POLE (B), place 1 pair of SLIP SLEEVES (D) at the desired level no higher than the 3<sup>rd</sup> indentation from the bottom. Please make sure the arrow on SLIP SLEEVES (D) faces up and the word "TOP" right-side up. Do this for each BOTTOM POLE (B) and make sure slip sleeve heights are identical for all (4) BOTTOM POLES (C).

Note that each POLE (A & B) has slight horizontal line indentations at 1" intervals. Each SLIP SLEEVE (D) has raised horizontal lines inside designed to lock in place on POLE (A & B).

Slide the pair of SLIP SLEEVES (D) until you hear a click to confirm the pair is locked onto BOTTOM POLE (B). DO NOT place more than one pair on each POLE (A & B) at one time.



*Note: There will be a very small gap in-between two locked SLIP SLEEVES (D)—this is normal.*

# ASSEMBLY INSTRUCTIONS

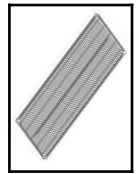
## STEP 3

Place SHELF (C) on its side and slide the (4) BOTTOM POLES (B) through the (4) holes in the SHELF (C). Make sure that the SHELF (C) corner cylinders are positioned over the SLIP SLEEVES (D).

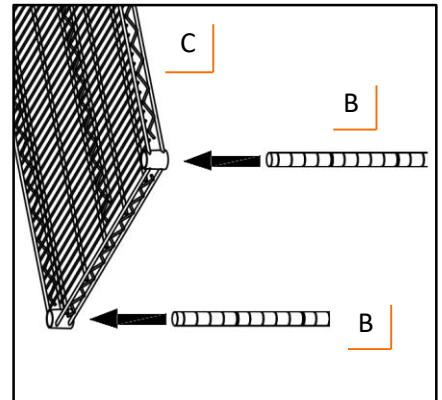
Stand the unit upright.

**Note:**

- *The level side of the SHELF (C) is the TOP side (the TRINITY logo on the corner cylinders should be right-side up.)*
- *Use a rubber mallet, if needed, to secure the SHELF (C).*
- *For convenience, place BOTTOM POLES (B) with Locking Casters on the long side of the shelf if the rack will be pushed against a wall OR if the rack is frequently rolled around like a cart, place BOTTOM POLES (B) with Locking Casters on the side being pushed or pulled.*



C (1)



## STEP 4

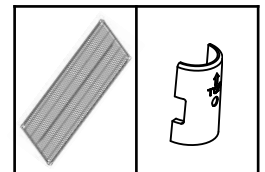
On BOTTOM POLE (B), place 1 pair of SLIP SLEEVES (D) at a desired distance between SHELVES (C). Please make sure the arrow on SLIP SLEEVES (D) faces up and the word "TOP" is right side up. Do this for each BOTTOM POLE (B), and make sure that the heights of SLIP SLEEVES (D) on each BOTTOM POLE (B) are identical.

Lower SHELF (C) over the BOTTOM POLES (B) so that the corner cylinders of the SHELF (C) are positioned over the SLIP SLEEVES (D).

Make sure to put SLIP SLEEVES (D) at the desired heights for each item, installing one shelf at a time.

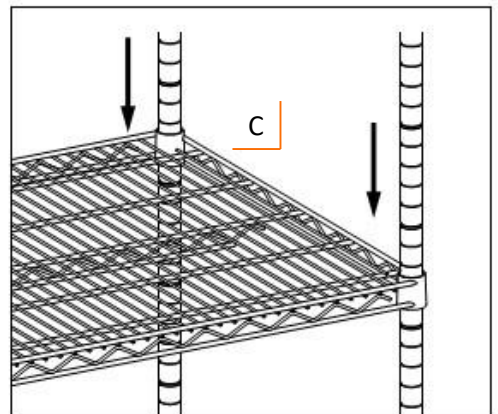
**Note:**

*Use a rubber mallet, if needed, to secure the SHELVES (C).*



C (1)

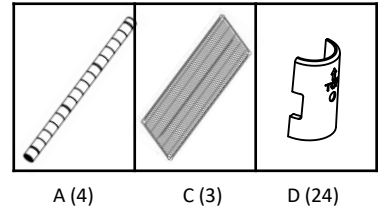
D (8)



# ASSEMBLY INSTRUCTIONS

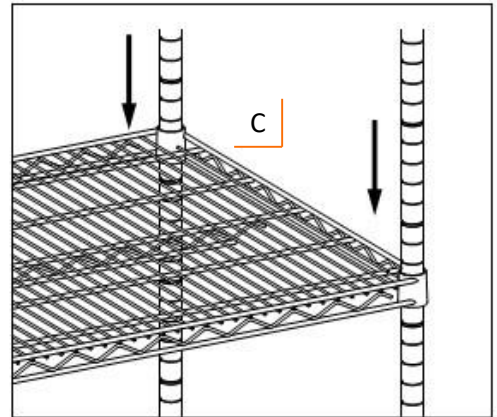
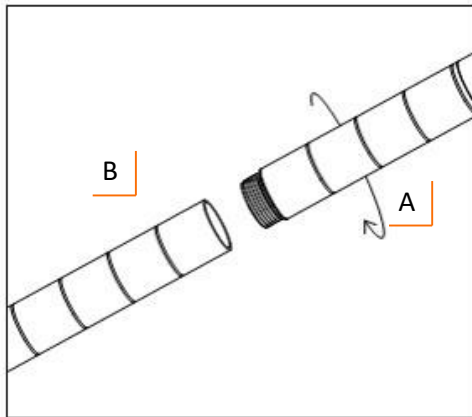
## STEP 5

Screw the TOP POLE (A) into the BOTTOM POLE (B). Pole Connectors are pre-installed in bottom of the TOP POLES (A).



The tops of TOP POLE (A) are indicated by the BLACK END CAP.

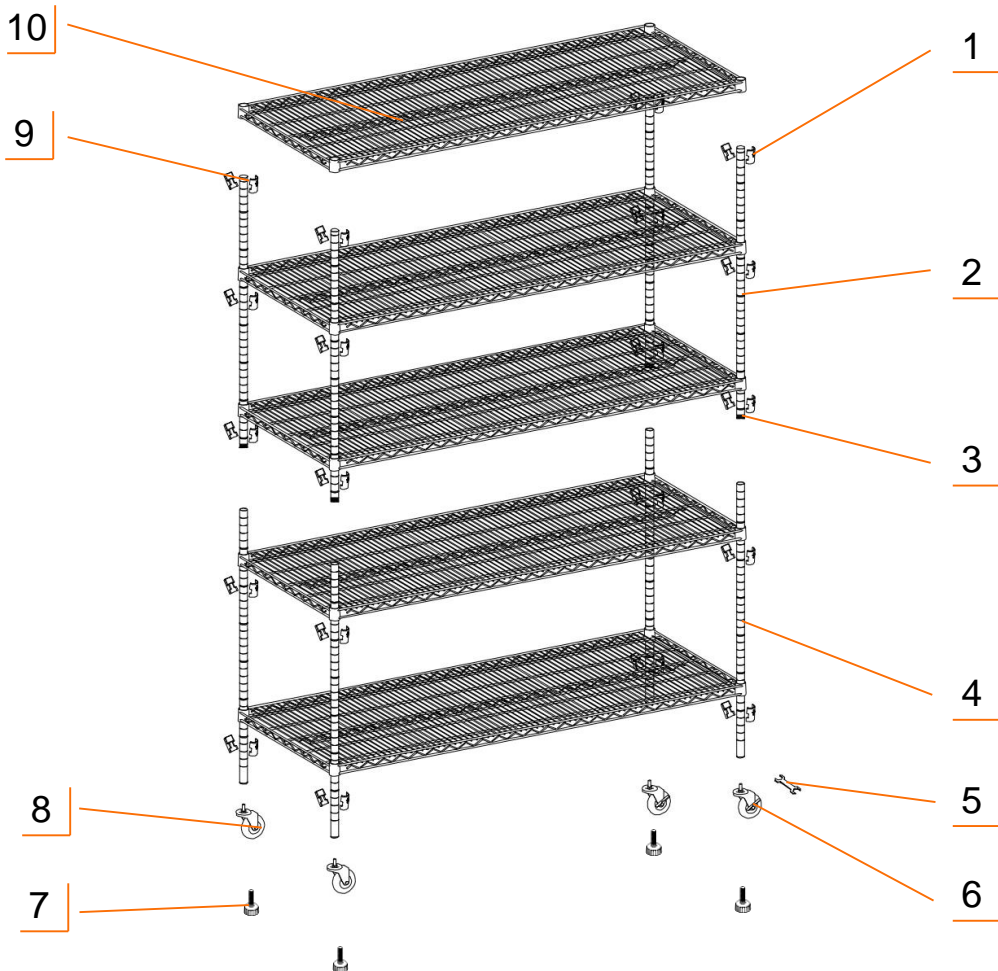
Repeat STEP 4 to install (3) SHELVES (C) to complete the assembly.



# SERVICE PARTS LIST – TBFPB-0931 (BLACK COLOR)

TRINITY Customer Service provides the following replacement parts:

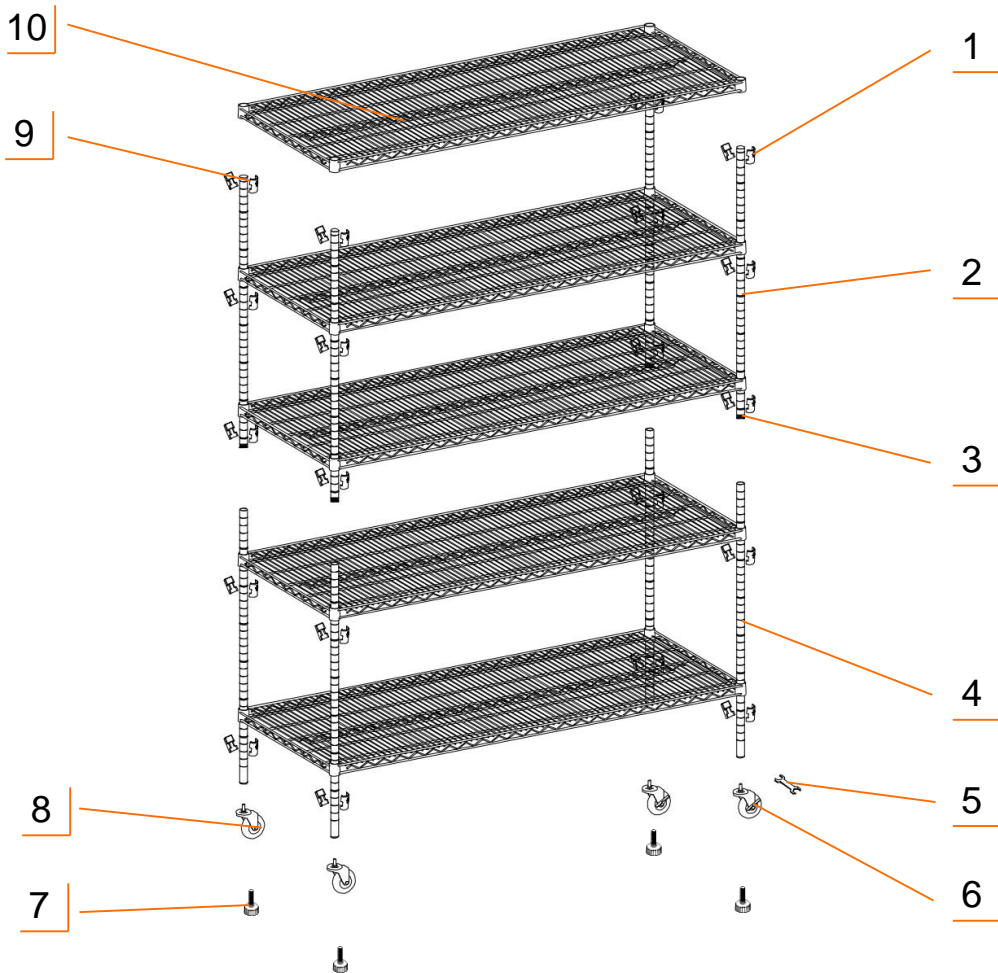
Part Number	Description	Part Number	Description
1) XBK-01-012-2543	Slip Sleeve	6) ZSV-99-008-4010	Locking Caster
2) PBK-04-006-3600	Top Pole	7) XBK-98-003-2538	Feet Leveler
3) ZSV-01-013-2523	Pole Connector	8) ZSV-99-007-4010	Non-locking Caster
4) PBK-04-008-3600	Bottom Pole	9) XBK-23-004-2517	End Cap
5) XXX-97-002-0001	Wrench	10) PBK-03-029-6024	Shelf



# SERVICE PARTS LIST – TBFC-0931 (CHROME COLOR)

TRINITY Customer Service provides the following replacement parts:

Part Number	Description	Part Number	Description
1) XBK-01-011-2543	Slip Sleeve	6) ZSV-99-008-4010	Locking Caster
2) CSV-04-006-3600	Top Pole	7) XBK-98-003-2538	Feet Leveler
3) ZSV-01-013-2523	Pole Connector	8) ZSV-99-007-4010	Non-locking Caster
4) CSV-04-008-3600	Bottom Pole	9) XBK-23-004-2517	End Cap
5) XXX-97-002-0001	Wrench	10) CSV-03-029-6024	Shelf



---

## WARNINGS

1. **Read and understand all instructions.** Failure to follow all instructions may result in injury and/or damage.
2. **Use the provided caster wrench to tighten casters completely.** Failure to do as instructed could result in the caster stem breaking thereby causing the shelving rack to collapse.
3. **The warnings, cautions, and instructions discussed in this manual cannot cover all possible conditions or situations that may occur.** The user must always be aware of their environment and ensure that they use the product in a safe and responsible manner.
4. **Do NOT modify the product in any way.** Unauthorized modification may impair the function and/or safety of the product, and may affect the life of the product.
5. **Check for damaged parts.** Before using this product, carefully check that all parts are in good condition, and that the product will operate properly and perform its intended function. Check for damaged parts and any other conditions that may affect the operation of this product. Replace damaged or worn parts, and never use this product with a damaged part.
6. **Do NOT overload the product.**

Weight capacity per Shelf on Feet Levelers	<b>450 lb (evenly distributed)</b>
Weight capacity per Shelf on Casters	<b>120 lb (evenly distributed)</b>
Total weight capacity of Shelving Rack (evenly distributed)	<b>2250 lb (on Feet Levelers) 600 lb (on Casters)</b>

---

## CARE AND MAINTENANCE

- Avoid harsh, abrasive cleaners, and other corrosive chemicals
- This item is not certified for outdoor use



# PRODUCT REGISTRATION

Thank you for purchasing a TRINITY Basics 5-Tier 60" x 24" x 72" NSF Wire Shelving Rack w/ Wheels. In order to register your product and receive streamlined customer service, please fill out the following Product Registration Form and (1) fax the form to 310.347.4134 (2) complete the Product Registration Form online at [www.trinityii.com](http://www.trinityii.com) or (3) scan and email the form to [customerservice@trinityii.com](mailto:customerservice@trinityii.com). Include a copy of your original receipt with your submission.

First Name: \_\_\_\_\_ Last Name: \_\_\_\_\_

Address: \_\_\_\_\_

City: \_\_\_\_\_ State: \_\_\_\_\_ Zip Code: \_\_\_\_\_

Email Address: \_\_\_\_\_ Phone: \_\_\_\_\_

Product Model #: \_\_\_\_\_ Purchase Date: \_\_\_\_ / \_\_\_\_ / \_\_\_\_

Location of Purchase: \_\_\_\_\_

Please rate the importance of each feature (1=least important; 10=most important)

Quality \_\_\_\_ Price \_\_\_\_ Size/Capacity \_\_\_\_ Appearance \_\_\_\_ Other \_\_\_\_

How did you hear about our product?

- Magazine Ad     Catalog     Salesperson     Word of Mouth  
 Internet     Store Display     Other

Marital Status:                       Single                       Married

Household Income:                 Below \$50,000     \$50,000-\$150,000     \$150,000+

Education:                           High School             College             Graduate School

Primary Residence:                 Own                       Rent

Comments/Suggestions:



---

# 1 YEAR LIMITED WARRANTY

## TRINITY Basics 5-Tier 60" x 24" x 72" NSF Wire Shelving Rack w/ Wheels Model # TBFPB-0931 / TBFC-0931

Trinity International Industries ("Trinity") warrants to the original consumer purchaser ("Purchaser") of the TRINITY Basics 5-Tier 60" x 24" x 72" NSF Wire Shelving Rack w/ Wheels ("Product") that each Product shall be free from defects in workmanship and materials for a period of 1 year from the date of original purchase. Trinity's obligation under this warranty shall be limited to repair or replacement of, or adequate compensation for the Product which shall not be greater than the amount of the purchase price of the Product, at the option of Trinity, during the warranty period. All replaced parts and Products become the property of Trinity and must be returned to Trinity.

This warranty excludes normal wear and tear of the Product and its parts or components, and damage arising from any of the following: negligent use or misuse of the Product, use contrary to this User's Manual, or alteration by anyone other than Trinity. The warranty period of 1 year shall not be extended or renewed by the repair or replacement of, or compensation for, the Product. Any warranty implied by applicable law is limited in duration to one year from the date of purchase and is subject to the same conditions and limitations as is provided for our express warranty.

Except as set forth herein, and to the extent of applicable there are no warranties on this Product either express or implied, and Trinity disclaims all warranties including, but not limited to, any implied warranties of merchantability, infringement or fitness for a particular purpose. No warranty or guarantee given by any person, firm, or corporation with respect to this product shall be binding on Trinity.

If your Product is defective or otherwise requires service or parts, please call TRINITY Customer Service toll-free at (800) 985-5506, between 5:00 a.m. and 5:00 p.m., PST. Please tell us which model you purchased, the date of the purchase, and the problem with your Product. A copy of your original purchase receipt must accompany your service request.

### LIMITATION OF REMEDIES AND LIABILITY

Trinity (and its employees, officers, members, managers, affiliates and assigns) shall not be liable for any incidental, consequential, special, indirect, remote, special or punitive damages for breach of any warranty, express or implied, including, but not limited to, lost profits, lost savings, loss of anticipated benefits and attorneys' fees, which arise out of the purchase, use or inability to use the Product, whether arising out of contract, negligence, strict tort, product liability, or any other legal theory on which a claim is based. As noted above, to the extent damages are allowed by our express warranty or by applicable law, those damages may not exceed the purchase price paid for the Product. Without limiting the foregoing Purchaser assumes all risk and liability for loss, damage or injury to Purchaser and Purchaser's property and to others and their property arising out of the use, misuse, or inability to use this Product. This limited warranty shall not extend to anyone other than the original purchaser of this product, is nontransferable and states your exclusive remedy.

Some states do not allow the exclusion or limitation of incidental, consequential, special, or punitive damages, so the above limitation or exclusion may not apply to you. The above warranty gives you specific legal rights, and you may have other rights which vary from state to state.

---

## CONTACT US

**QUESTIONS? NEED PARTS?  
WE ARE HERE TO HELP!**

**Please feel free to contact us. There are no questions too small, or any problems too big. We're committed to providing our customers with the highest level of service.**

### **TRINITY Customer Service**

**TEL: 800.985.5506**

**FAX: 310.347.4134**

**EMAIL: [customerservice@trinityii.com](mailto:customerservice@trinityii.com)**

**Monday through Friday  
5:00 AM – 5:00 PM (PST)**

**[www.trinityii.com](http://www.trinityii.com)**