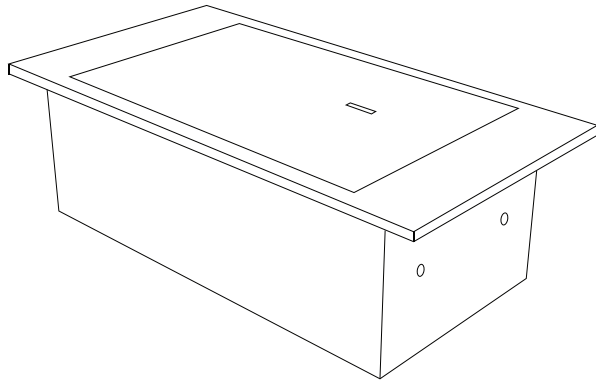




User's Manual for 0.22 Cubic Ft Key Underground Safe



Getting Started

Do not place keys inside of safe.

Although it is possible to install most floor safe yourself, we recommend a qualified safe installer or contractor do the work.

Please note that the ability of a safe to deter theft is a function of the time burglar has to work on the safe all as the tools used. Generally, burglars seek quick and easy targets for theft and your safe will present formidable challenge. Therefore installing your safe in a concrete floor offers the maximum degree of burglary protection.

Because of installation variables due to home or office construction/design, there is no one correct method to install your safe. How you install your safe is just as important as the decision to purchase your safe and the installation instructions below will help guide you through this process.

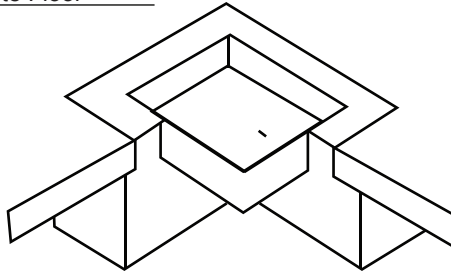
Make sure there are no underground electrical, plumbing, heating telephone or other wires present in the location where the safe is to be installed.

If the safe is to be located in an area where moisture may exist, the external application of tar or heavy gauge plastic wrap should be used to cover the outside body of the safe. The procedure is recommended regardless of conditions. This is NOT a waterproof or fireproof safe.

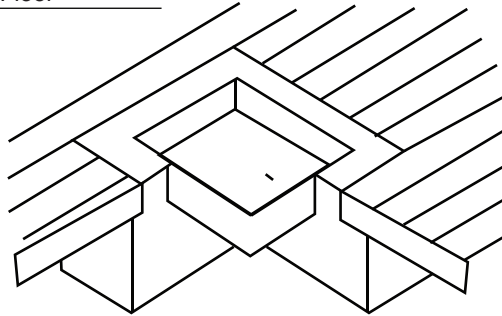
Follow these steps before installing your safe.

- Before installation the safe should have a dust cover and sealed with masking tape to prevent debris from entering the safe during installation.
- 48 hours of cement drying time is recommended prior to use.

Concrete Floor



Wood Floor



Existing Concrete Floor Installation

Measure the outside dimension of the safe body and add 4 inches to ensure enough room for installation of concrete around the body of safe. Layout and score the area for installation. Use an electric jack hammer to break throughout the existing concrete to the desired size. After the concrete is removed, dig out the hole to accommodate the safe, make the hole at least 3 inches deeper than the safe size. Pour enough concrete in the bottom of the hole to form a firm base for the safe to set on level. Insert the safe on top of the coverer base. Finish filling the hole with cement and add any reinforcement necessary to maintain position. Finish off concrete level with the floor. Make sure the top of safe is key level with the floor. Drill in 4 mounting screws provided into the mounting holes in the safe.

Wood Floor Installation

Build a retaining form of wood or mesh wire basket lined with roofing paper and attach to the floor joists, between the floor and ground. Cut a hole in the floor and set the safe using the same directions as noted above for concrete floor installation. Reinforce joists as necessary to compensate for weight. If a wood form is used, remove wood after cement is sent to prevent pests from traveling to your structure

New Concrete Floor

Dig ground to provide a form as in concrete floor installation noted above. Put safe into position in live concrete and adjust to proper level, etc. prior to finishing of floor. It is better and recommended to "block out" a hole for the safe, leaving 4 inches of room on each side to be installed. Install the safe after the walls and roof are up to eliminate climate damage.

Open / Close Safe Door

Open Door

Put key into key hole and turn clockwise; carefully pull up on the key to open the door.

Warning: Be careful when safe door is open, Safe door may fall shut when operating.

Close Door

Carefully put the door back down to closed position and turn key counter clockwise to lock safe.

Note: All information, feature, and specification displayed herein are based on the data available at the time of publishing, thus they are subject to change without notice. All product pictures displayed herein are for illustration purposes only. The actual product may vary due to different circumstances.



1 YEAR LIMITED WARRANTY

SAFE/LOCK BOX

BARSKA warrants this new safe/lock box to be free of defects in material and/ or workmanship under normal use for a period of twelve (12) months from the date product is purchased. This limited warranty is delimited to repair or replacement only. This warranty does not cover damage caused by improper installation or maintenance. BARSKA disclaims all liability for incidental or consequential damages resulting from misuse, abuse, accident (such as dropping), fire, flood, service or repairs other than those performed by BARSKA, acts of nature, or arising out of any breach of this warranty. Altering the product under any circumstances will automatically void the warranty.

For service under this limited warranty, please have available the proof of purchase and the purchase date and location as well as a detailed description of the problem. This warranty is not transferable and only applies to the original purchaser with a proof of purchase from BARSKA or from an authorized dealer. This warranty applies only to products purchased within the United States, excluding Alaska, the Hawaiian Islands and all U.S. territories in the Caribbean and the Pacific.

BARSKA will examine and go through troubleshooting procedures, product repair or replacement of defective part(s) or units with new part(s) or provide a new unit, if necessary, during the warranty period. Reasonable shipping/handling charges may apply and are based on Barska sole discretion. Purchaser shall be required to prepay Shipping/handling charges with a check or money order to BARSKA at time product is returned. The Return Merchandise Authorization Number (RMA#) and shipping/handling charge MUST be obtained from BARSKA in advance of return. BARSKA shall not be liable for damages or loss occurring during shipping. Please visit via www.barska.com or call 909.445.8168 to obtain the RMA#, Shipping/handling amount, and for more information.

BARSKA reserves the right to modify or discontinue, without prior notice to the purchaser, any model or style of the product. BARSKA will determine, at its sole discretion, whether a product will be repaired or replaced. BARSKA reserves the right to discontinue or change any feature of its products at any time. If an exact replacement or product is not available, BARSKA reserves the right to provide a part or product that matches as closely as possible.

LIMITATION OF REMEDIES

BARSKA disclaims any warranties, express or implied, whether of merchantability or fitness for a particular use, except as expressly set forth herein. The sole obligation of BARSKA under this limited warranty shall be to repair or replace the covered product, in accordance with the terms set forth herein. BARSKA expressly disclaims any lost profits, general, special, indirect or consequential damages which may result from breach of any warranty, or arising out of the use or inability to use any BARSKA product. Any warranties which are implied and which cannot be disclaimed shall be limited in duration to a term of one year from the date of original retail purchase.

Some states do not allow the exclusion or limitation of incidental or consequential damages or limitation on how long an implied warranty lasts, so the above limitations and exclusions may not apply to you.

BARSKA
855 Towne Center Drive, Pomona, CA 91767