

## LBC-18, LBC-18B - 36-3/4"L x 39-1/4"H x 21-1/4"W LocBoard® Tool Cart

Read all instructions completely before installing. Should you have any questions about your installation, please call Customer Service at 440-248-5480

Inventory and inspect all components before starting assembly

### Tool Cart Parts Inventory

- (1) Aluminum Bottom Tray
- (1) Top Rail with ends bent upwards
- (1) Cart Handle
- (2) 3" Fixed Casters
- (2) 3" Swivel Casters
- (4) LocBoard Steel Pegboard w/ square holes 18" X 36" (B=Blue)
- (16) 5/16" -20 x 3/4" Truss Head Bolts (For Casters)
- (16) 5/16" Split Lock Washers (For Casters)
- (16) 5/16" Flat Washers (For Casters)
- (16) 5/16" Hex Nuts
- (18) 1/4-20x3/4" Socket Head Cap Screws (For Attachment of LocBoards.)

**Note: While attaching LocBoards, it's important to remember not to fully tighten any socket head cap screws until system is fully assembled. Freedom of movement allows for proper alignment of cap screws and preinstalled threaded fasteners.**

### **Assembly: (Refer to Assembly Drawings attached)**

1. Position the large bottom tray with the angled sides facing up.
2. **Installation of LocBoard to bottom tray:** Mounting holes for LocBoard are accessed through the square holes on their front. Starting from the outside edge of the bottom tray with the square holes in the LocBoard facing you, align the two bottom round mounting holes in the LocBoard flange with the 2 pre-installed nuts in bottom tray. Using an Allen wrench, insert (2) socket head cap screws. **(Make sure Cap Screws go in straight and turn without restriction. You may have to move board slightly to allow screws to turn freely.)** Tighten cap screws until head is just below surface of the board. **Repeat for remaining LocBoards.**
3. **Installation of LocBoard to Top Tray. Please Note: One end of the Top Tray has 2 sets of holes on each side without preinstalled fasteners. This is the end where the handle will be installed to the inside of the top tray along with Swivel Caster.** Starting from the opposite end of the top tray, align mounting holes in the top of the LocBoard with preinstalled nuts in the top tray. Using the Allen wrench, insert (2) socket head cap screws. **(Make sure Cap Screws go in straight and turn without restriction.** Tighten until cap screw heads are just below surface of the LocBoard. **Repeat for LocBoard on the opposite side from the one just installed.**
4. **Installation of Handle. NOTE: There will be one extra pre-installed nut in the handle and one extra hole in the top tray that does not align with a mounting hole in the LocBoard flange and will require a socket head cap screw be inserted through just the square hole in the LocBoard.** Align the outside slope of the handle with the inside of the top tray and slide in. Align the 2 preinstalled nuts in the handle with 2 holes in top tray and 1 mounting hole in the flange of remaining LocBoards. Using the Allen wrench, insert (2) socket head cap screws through the last holes in the remaining 2 LocBoards that align with preinstalled fasteners in the top tray. **(Make sure Cap Screws go in straight and turn without restriction.** Tighten until cap screw heads are just below the surface. **Repeat for other side.**
5. Square up all LocBoards and completely tighten all 18 cap head screws
6. **Installation of Casters: Note: Swivel casters will be installed on the end of tool cart with handle.** With the tool cart on its side or hanging over a workbench, align the 4 caster mounting plate holes with holes in bottom tray. Insert truss head bolts with flat washer through top tray into mounting holes in caster. Install split lock washers and hex head nuts and tighten. (Repeat for each caster.)

**Special Note:**

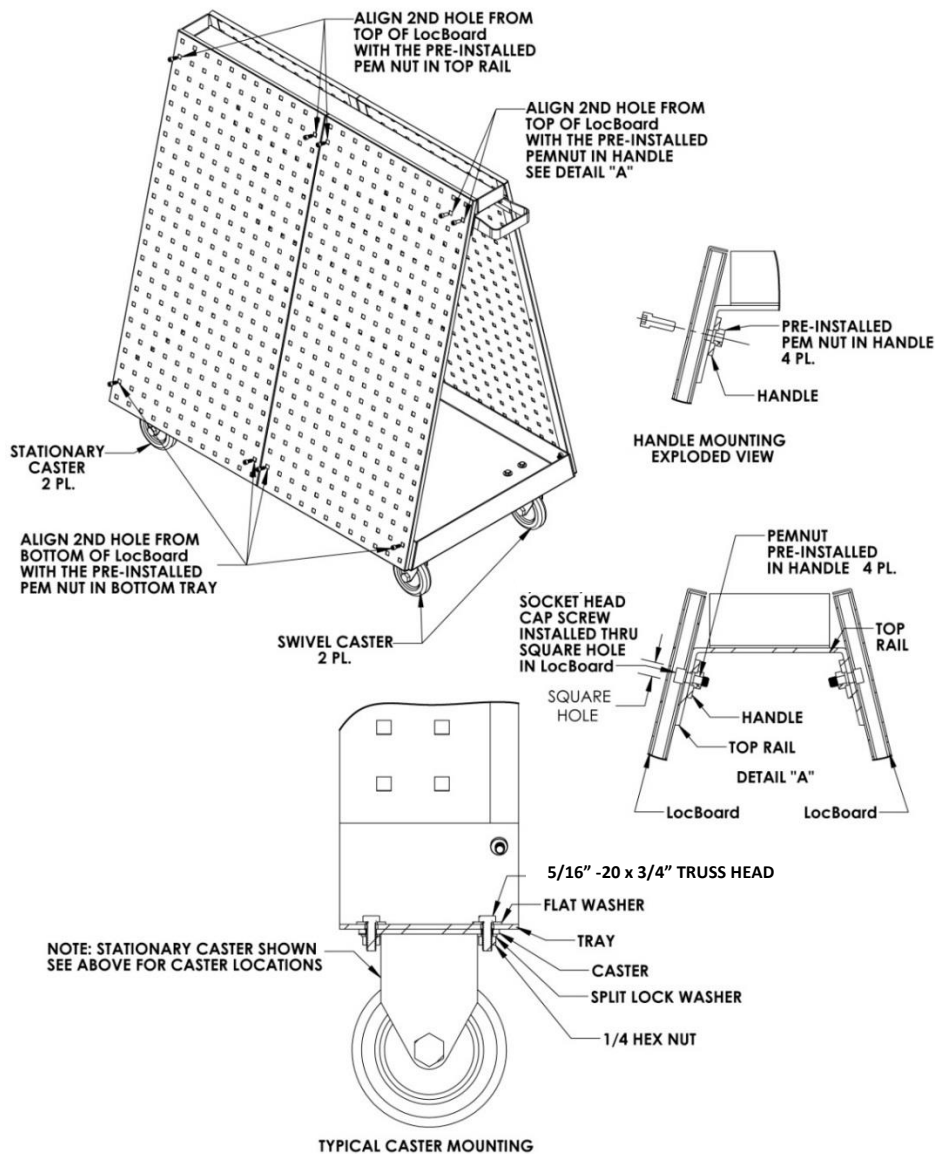
**Should any of the preinstalled fasteners loosen or fall out during assembly, replace using either a 1/4" - 20 or 12-24 threaded nut with lock washer in its place.**

Secure storage for all items can be achieved using LocHook™ locking steel hooks.

**Warranty information:** Triton Products warrants to the original owner that this product is free from defects in material and workmanship for a period of two years from the date of the original purchase. If this product is defective when used as intended under normal household conditions within the specified period, Triton will replace the product, send a replacement part or issue a refund (at our option) when the consumer provides a proof of purchase (either a bill of sale, receipted invoice or other proof that the product is within the warranty period), along with a full description of the defect.

**Liability:** Triton Products and/or its Reseller's liability are limited to 100% of the purchase price of the product.

## ASSEMBLY INSTRUCTIONS FOR LocBoard LBC-18 TOOL CART



Please contact our Customer Service Division with any questions at:  
 30700 D Carter Street · Solon, OH 44139 · (P) 440.248.5480 · [support@tritonproducts.com](mailto:support@tritonproducts.com)

For a full line of products visit [www.tritonproducts.com](http://www.tritonproducts.com)