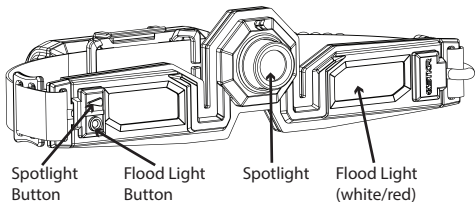


# FLEXIT HEADLAMP PRO



## SPECIFICATIONS

Model # 00387  
650 Total True Lumens  
IPX6 Waterproof Rating  
5.8oz (battery incl.)

## FEATURES

- Positionable Spotlight
- Center CREE LED
- Outer Flood COB LEDs (White & Red Light)
- 180° Halo Lighting
- Rear Red Hazard Light

## OPERATION

### SPOTLIGHT & FLOOD LIGHT

The spotlight & flood lights are independently controlled

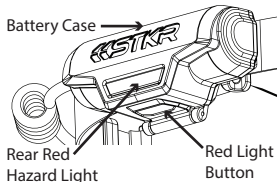
- Press button to turn ON or OFF
- Press & HOLD to increase/decrease brightness. note: the light blinks to indicate when the brightness level has reached minimum or maximum

## RED LIGHT

Red light button controls rear hazard safety light and front red flood lights

- Press button to turn ON
- Press to cycle through modes:
  1. Rear Red-Light
  2. Rear Flashing Red-Light
  3. Rear Red-Light + Front Red Flood Light
  4. OFF
- Press & HOLD to turn on 360° Flashing Red Hazard Safety Light Mode.

- After 5 seconds of no mode changes, press button to turn red light off



**⚠ SAFETY WARNING:** This product contains high intensity LED devices. To prevent permanent eye damage, do not stare into the light beam at close range.



**QUESTIONS?** Before returning to your retailer, call our customer service department at 704-508-1031, 8 a.m. - 5 p.m. ET, Monday - Friday or email us at [info@STKRconcepts.com](mailto:info@STKRconcepts.com)

**KILL SWITCH**

Prevent headlamp from accidentally turning on during transportation.

POWER ON: Open battery case and slide kill switch to the LEFT position to provide power to the headlamp.

POWER OFF: Open battery case and slide kill switch to the RIGHT position to turn power off to headlamp.

**CHARGING**

1) Plug the micro-USB cable into the micro-USB port 2) plug the other end of the cable into a USB wall charger\*, USB car charger\*, or any other USB charging device\* (e.g. computer). \*Not included. \*Charger output of 1A to 2.1A is recommended. Charger output should NOT exceed 2.1A to prevent battery damage.

-- Battery Level Indicator lights blink while charging then solid glow when fully charged.

*\*\*Please recharge a stored unit every four months to maintain optimum performance of the lithium-ion batteries and maximize charging levels. Battery excl. from warranty.*

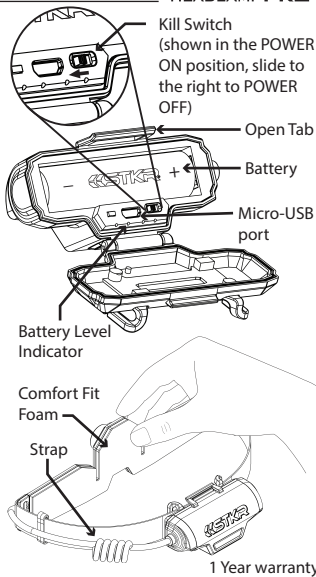
**BATTERY INSTALLATION**

1) Pull tab to open battery case 2) Place 1x 18650 Lithium-ion rechargeable battery into the battery terminal.

**CLEAN & CARE**

Hand-wash Foam & Strap with mild soap.

Do not submerge in water. Not machine washable.



**Included:** (1x) FLEXIT Headlamp PRO, (1x) 18650 Lithium-ion, (1x) Micro-USB cable, (1x) Carry pouch