

# 435, 435e, 440e

**Spare parts**

**Ersatzteile**

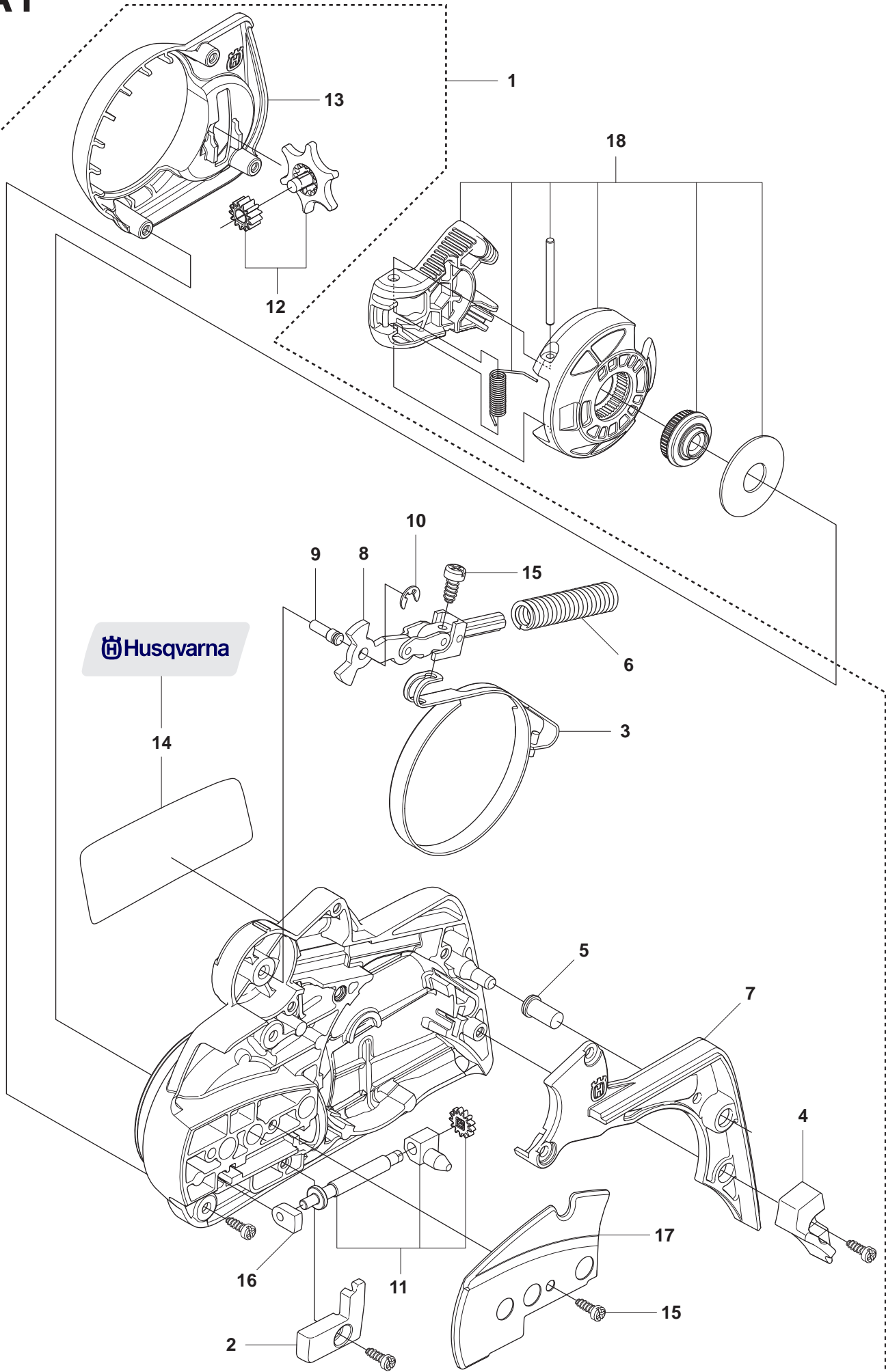
**Pièces détachées**

**Reserve onderdelen**

**Repuestos**

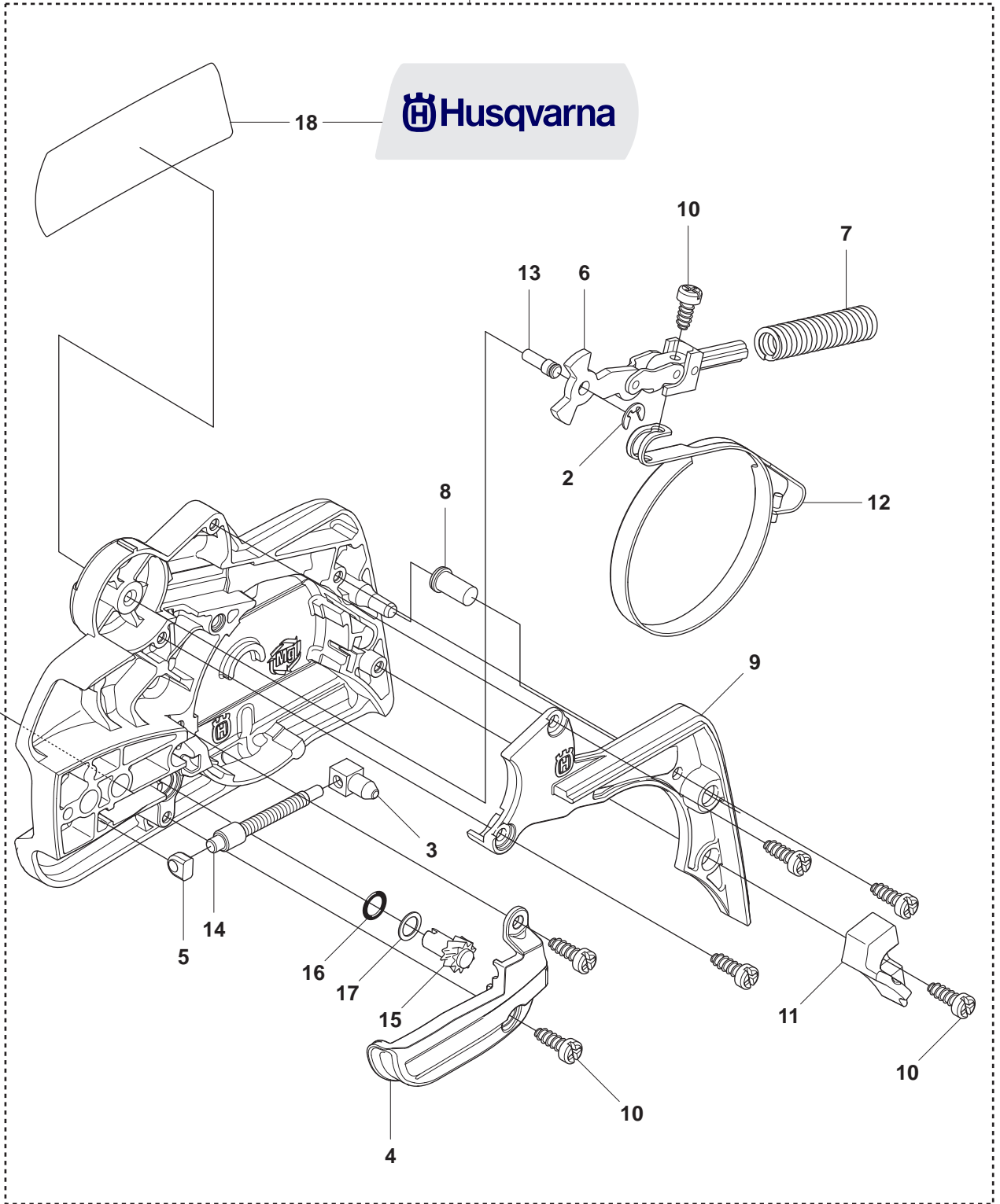
**Reservdelar**

# A1 435e, 440e



<b>Pos.</b>	<b>Compl No.</b>	<b>Part No.</b>	<b>Quantity</b>	<b>Notes</b>
1		544 19 49-01	1	Clutch cover assy
2	544 19 49-01	504 54 28-01	1	Cover
3	544 19 49-01	544 30 60-01	1	Brake band assy
4	544 19 49-01	544 25 31-01	1	Wear protection
5	544 19 49-01	503 85 52-01	1	Guide bushing
6	544 19 49-01	505 89 26-01	1	Brake spring
7	544 19 49-01	544 24 85-01	1	Cover lid
8	544 19 49-01	503 89 08-02	1	Knee joint
9	544 19 49-01	503 89 29-01	1	Pin knee joint
10	544 19 49-01	735 31 08-20	1	E-clip
11	544 19 49-01	537 39 29-01	1	Chain tension screw
12	544 19 49-01	537 34 72-01	1	Chain tensioner wheel
13	544 19 49-01	537 39 26-01	1	Heat protector
14	544 19 49-01	544 35 75-01	1	Label
15	544 19 49-01	503 21 70-10	10	Screw
16	544 19 49-01	544 84 55-01	1	Bearing sleeve
17	544 19 49-01	544 25 05-01	1	Wear plate
18		537 34 78-01	1	Knob

1



 Husqvarna

18

10

7

13

6

2

12

8

19

9

3

5

14

16

17

15

4

11

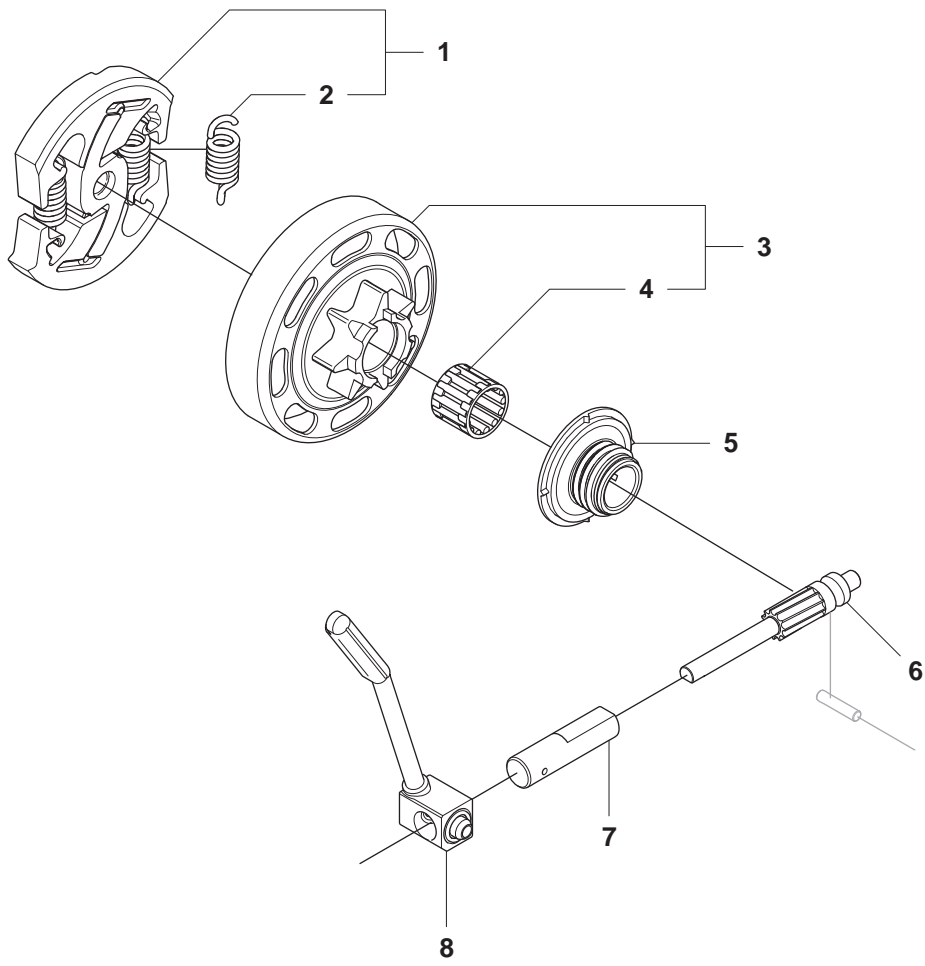
10

10

<b>Pos.</b>	<b>Compl No.</b>	<b>Part No.</b>	<b>Quantity</b>	<b>Notes</b>
1		501 38 82-01		Clutch cover assy
2	501 38 82-01	735 31 08-20	1	E-clip
3	501 38 82-01	537 28 66-01	1	Pawl
4	501 38 82-01	540 06 33-01	1	Chain guide
5	501 38 82-01	537 01 74-01	1	Bearing sleeve
6	501 38 82-01	503 89 08-02	1	Knee joint
7	501 38 82-01	505 89 26-01	1	Brake spring
8	501 38 82-01	503 85 52-01	1	Guide bushing
9	501 38 82-01	544 24 85-01	1	Cover lid
10	501 38 82-01	503 21 70-10	7	Screw
11	501 38 82-01	544 25 31-01	1	Wear protection
12	501 38 82-01	544 30 60-01	1	Brake band assy
13	501 38 82-01	503 89 29-01	1	Pin
14	501 38 82-01	537 39 70-01	1	Worm screw
15	501 38 82-01	537 07 94-02	1	Worm wheel
16	501 38 82-01	740 48 07-02	1	O-ring
17	501 38 82-01	503 23 00-63	1	Washer
18	501 38 82-01	544 37 68-01	1	Label, clutch cover
19		503 22 00-01	1	Nut

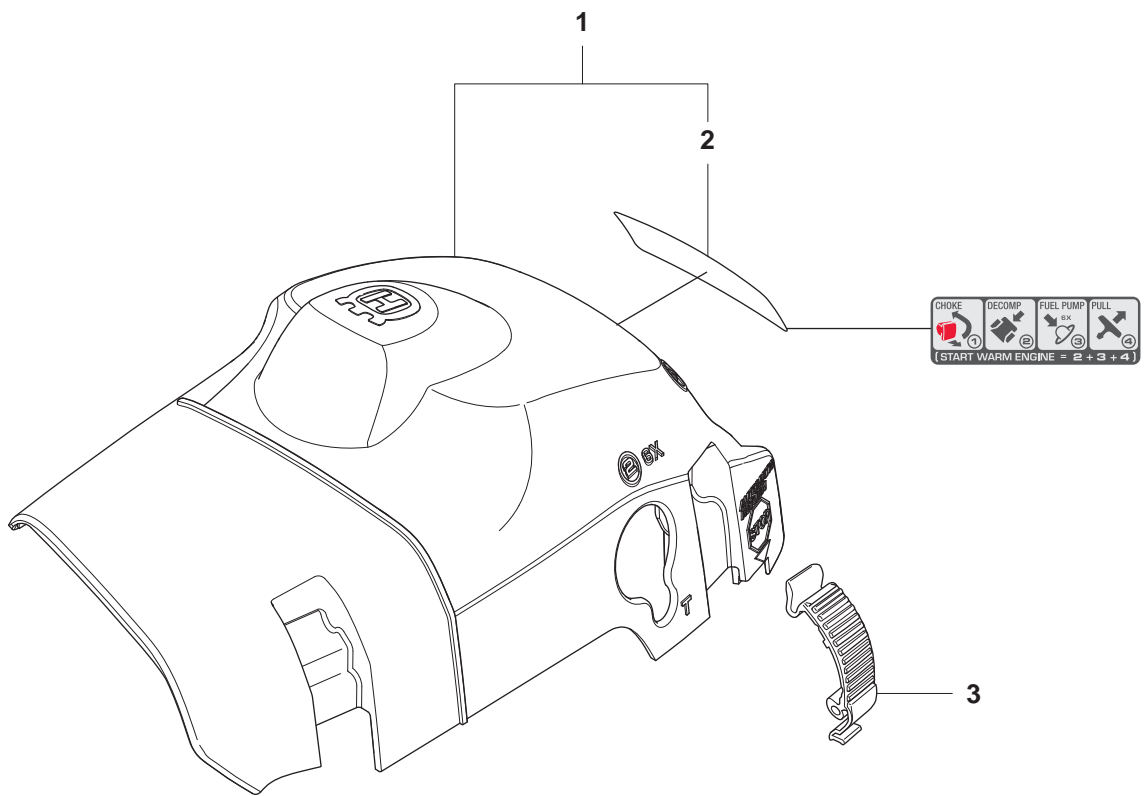
**B**

435, 435e, 440e



**Page B**  
**435, 435e, 440e**

<b>Pos.</b>	<b>Compl No.</b>	<b>Part No.</b>	<b>Quantity</b>	<b>Notes</b>
1		544 87 12-01	1	Clutch assy
2	544 87 12-01	502 08 03-01	2	Clutch spring
3		505 44 15-01	1	Clutch drum assy
4	505 44 15-01	503 53 92-01	1	Support bushing
5		544 21 24-01	1	Worm gear
6		540 05 79-01	1	Pump piston
7		537 15 48-01	1	Pump cylinder
8		544 08 42-01	1	Oil hose

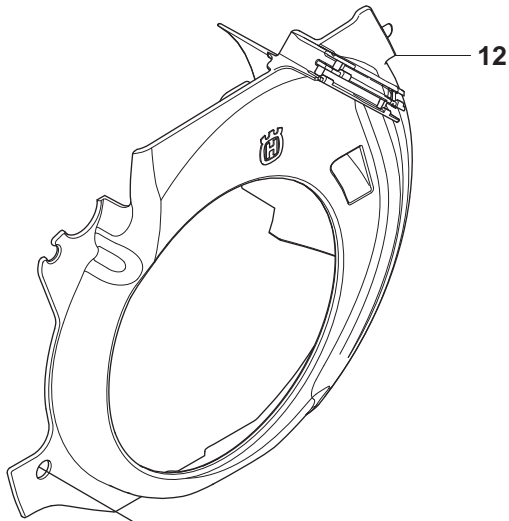




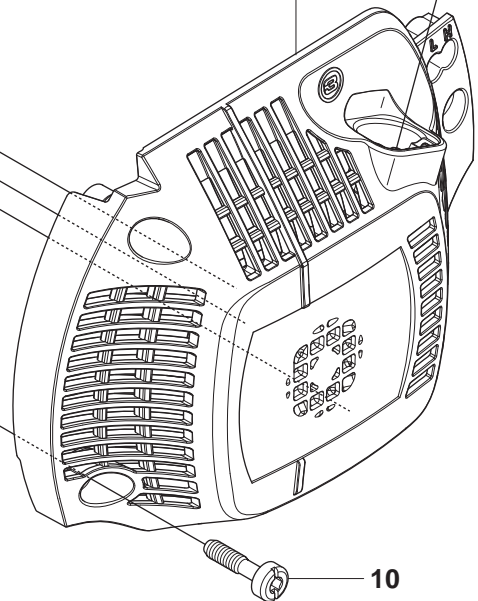
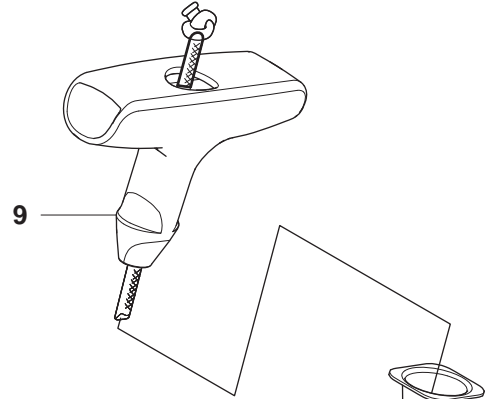
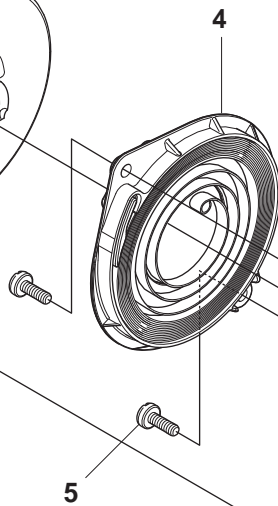
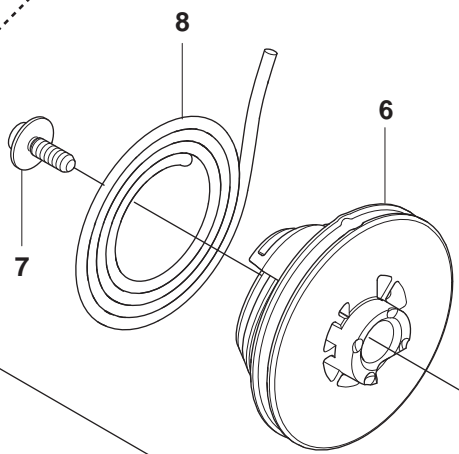
**Page C**  
**435, 435e, 440e**

<b>Pos.</b>	<b>Compl No.</b>	<b>Part No.</b>	<b>Quantity</b>	<b>Notes</b>
1		504 79 02-01	1	Cylinder cover kpl
2	504 79 02-01	544 80 53-01	1	Start reminder, label
3		503 89 47-01	3	Snap

# D1 435



1



 Husqvarna

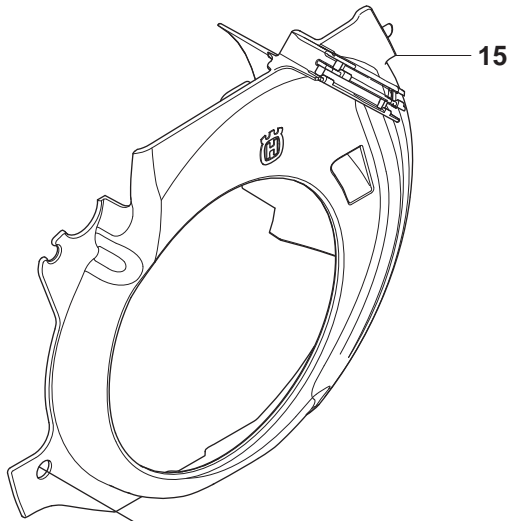
435

PAT. PEND.

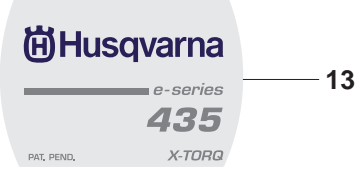
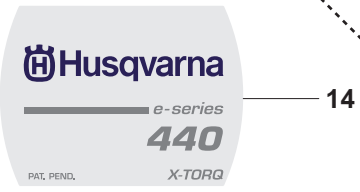
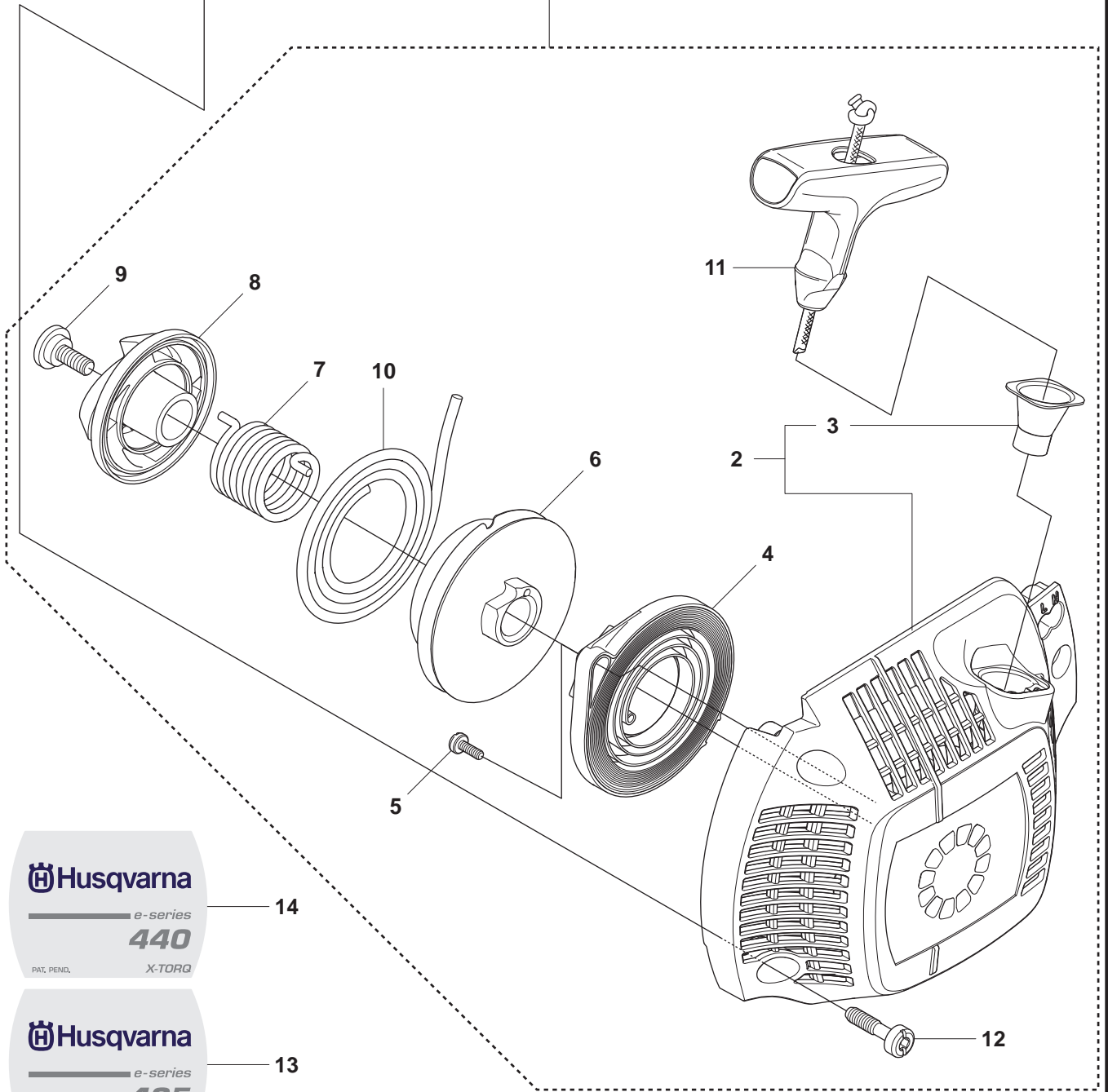
X-TORQ

<b>Pos.</b>	<b>Compl No.</b>	<b>Part No.</b>	<b>Quantity</b>	<b>Notes</b>
1		504 59 70-02	1	Starter assy, std
2	504 59 70-02	504 59 69-01	1	Starter, Std
3	504 59 70-02	537 28 32-01	1	Reinforcement sleeve
4	504 59 70-02	540 05 75-01	1	Spring cassette assy
5	504 59 70-02	503 21 28-10	2	Screw CCRPANT
6	504 59 70-02	504 59 71-01	1	Starter pulley
7	504 59 70-02	503 21 77-16	1	Screw IH SCT
8	504 59 70-02	505 30 51-25	1	Starter cord
9	504 59 70-02	537 23 25-01	1	Starter handle
10	504 59 70-02	503 21 73-21	4	Screw CIH SCTO
11		504 54 68-01	1	Label, Starter
12		544 19 71-01	1	Cooling air conductor

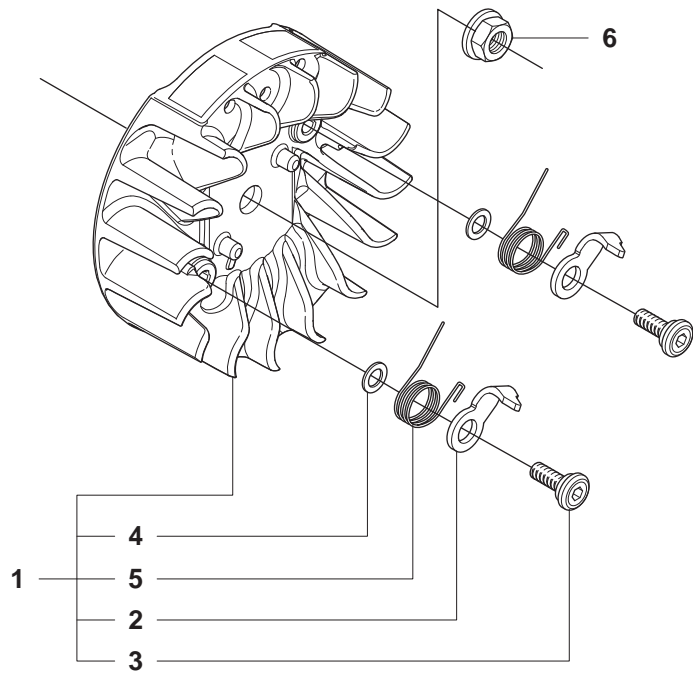
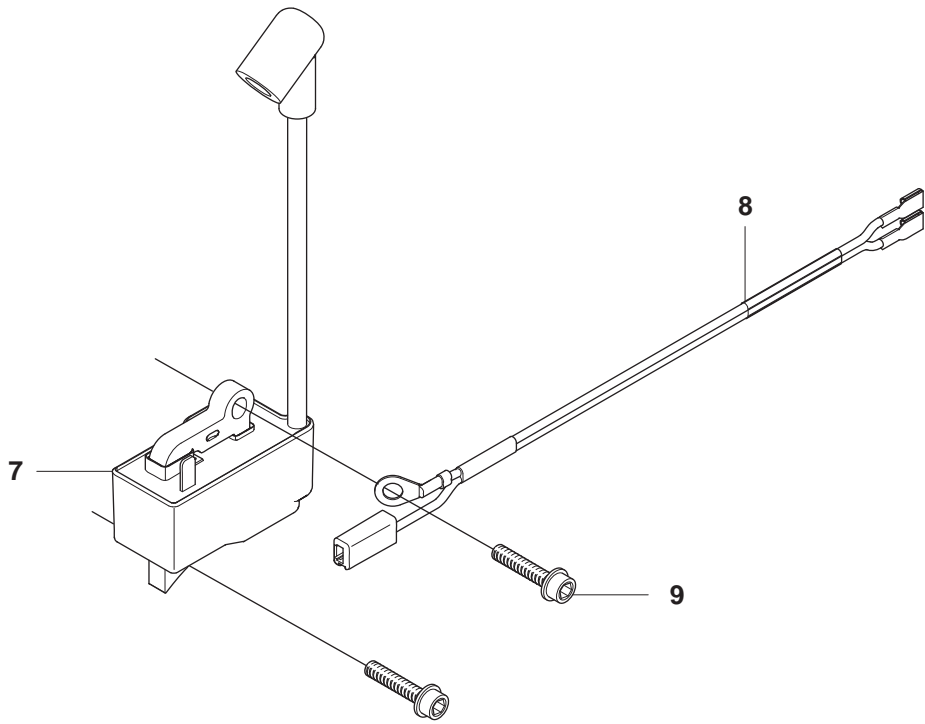
**D2** 435e, 440e



1

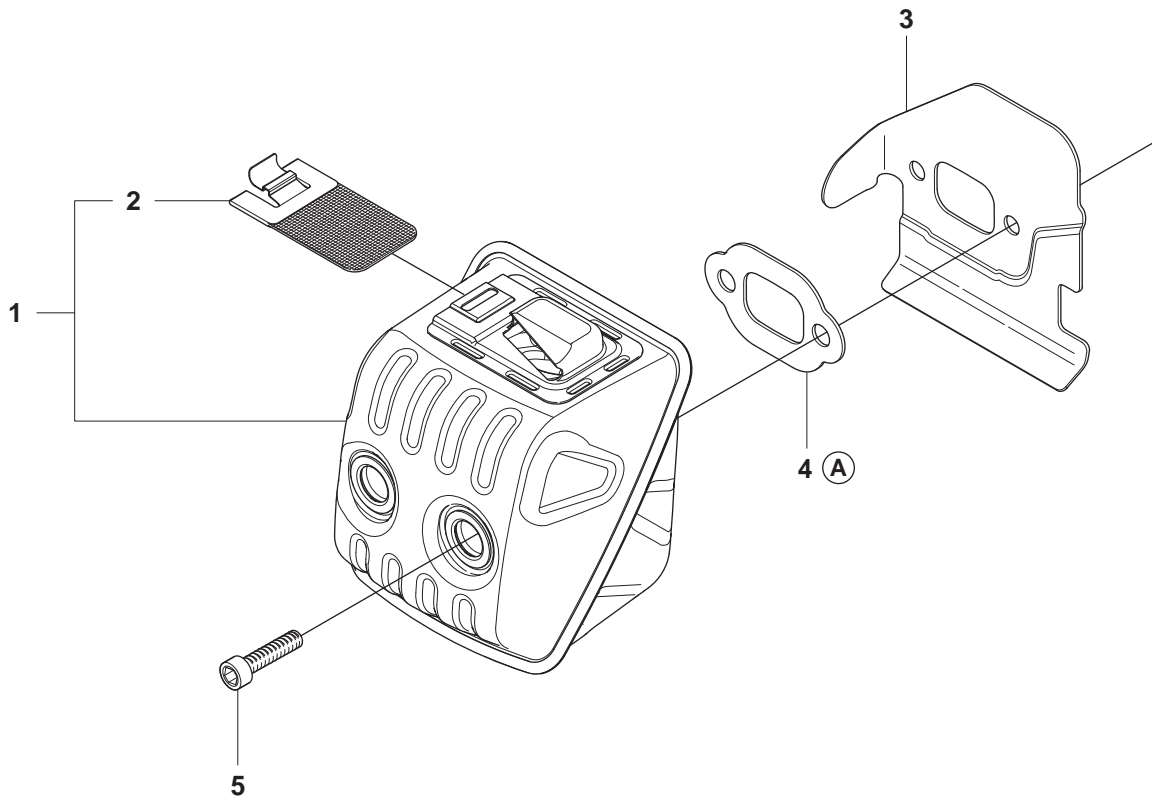


<b>Pos.</b>	<b>Compl No.</b>	<b>Part No.</b>	<b>Quantity</b>	<b>Notes</b>
1		544 28 70-02		
2	544 28 70-02	544 28 69-01	1	Starter housing
3	544 28 70-02	537 28 32-01	1	Reinforcement sleeve
4	544 28 70-02	540 05 75-01	1	Spring cassette assy
5	544 28 70-02	503 21 28-10	2	Screw CCRPANT
6	544 28 70-02	537 42 32-01	1	Starter pulley
7	544 28 70-02	505 64 73-01	1	Spring
8	544 28 70-02	537 42 33-01	1	Driver
9	544 28 70-02	537 42 66-01	1	Screw
10	544 28 70-02	505 30 51-25	1	Starter cord
11	544 28 70-02	537 23 25-01	1	Starhandtag
12	544 28 70-02	503 21 73-21	4	Screw CIHSCTO
13		544 46 36-02	1	Label, Starter
14		544 46 36-01	1	Label, Starter
15		544 19 71-01	1	Cooling air conductor



**Page E**  
**435, 435e, 440e**

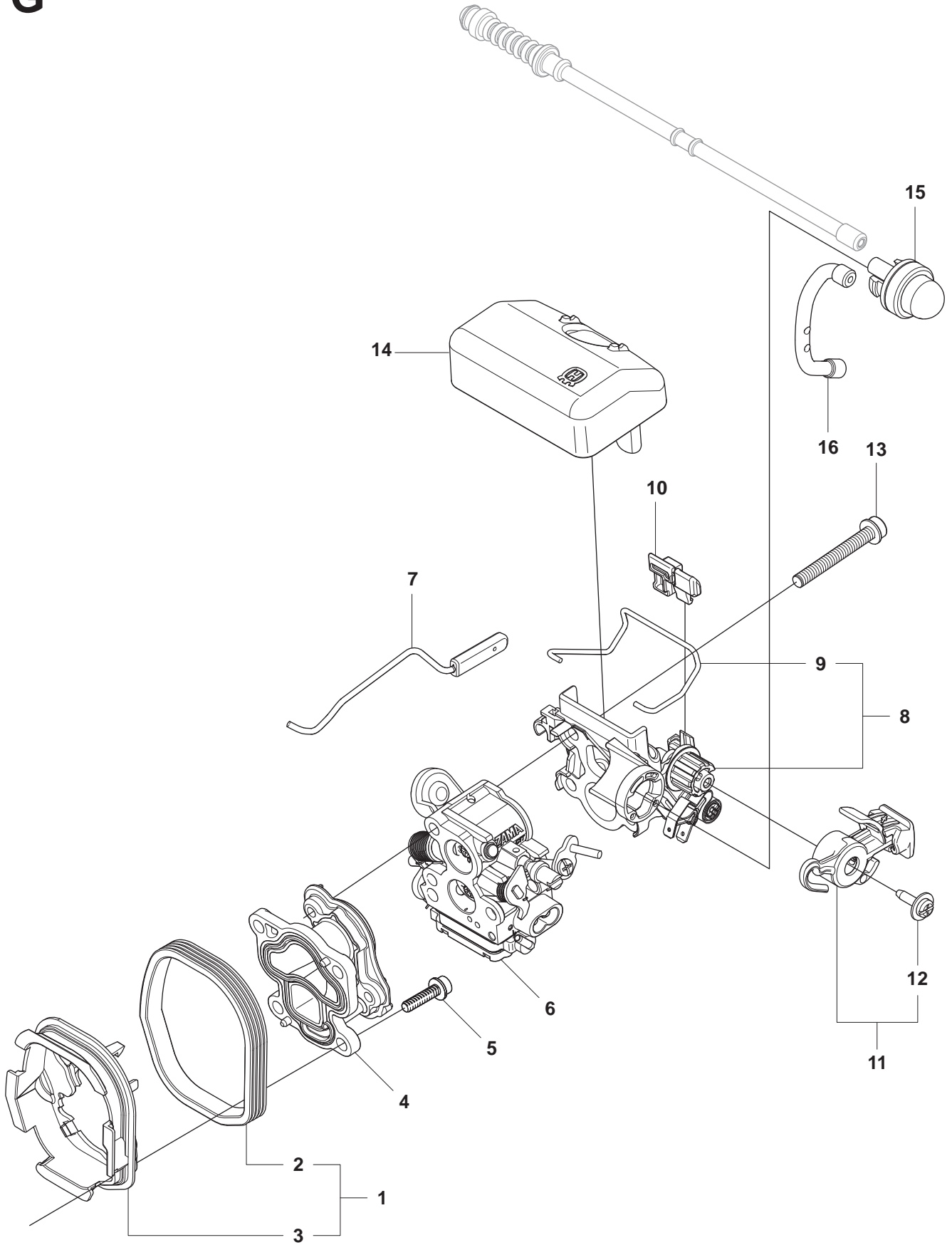
<b>Pos.</b>	<b>Compl No.</b>	<b>Part No.</b>	<b>Quantity</b>	<b>Notes</b>
1		544 87 42-01	1	Flywheel assy
2	544 87 42-01	537 24 56-01	2	Starter pawl
3	544 87 42-01	501 81 99-03	2	Screw
4	544 87 42-01	503 23 00-42	2	Washer steel
5	544 87 42-01	503 78 32-01	2	Spring
6		503 22 04-01	1	Nut
7		505 42 72-01	1	Ignition module
8		544 84 82-01	1	Wiring assy
9		503 20 02-20	2	Screw IHSCFM





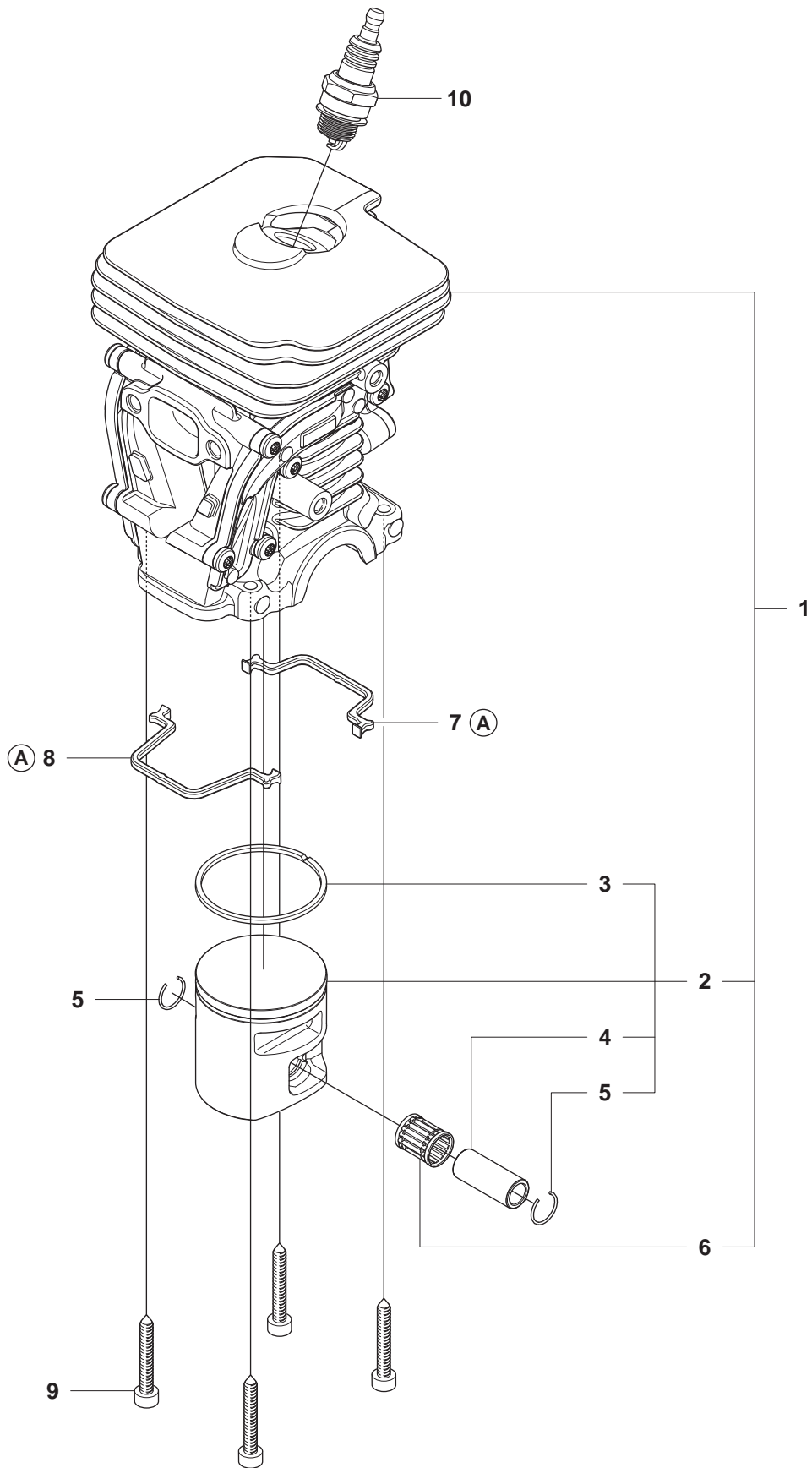
**Page F**  
**435, 435e, 440e**

<b>Pos.</b>	<b>Compl No.</b>	<b>Part No.</b>	<b>Quantity</b>	<b>Notes</b>
1		544 14 77-01	1	Muffler assy
2	544 14 77-01	544 14 84-01	1	Spark arrester
3		501 32 31-01	1	Heat deflector
4		544 08 44-01	1	Gasket
5		725 53 68-55	2	Screw

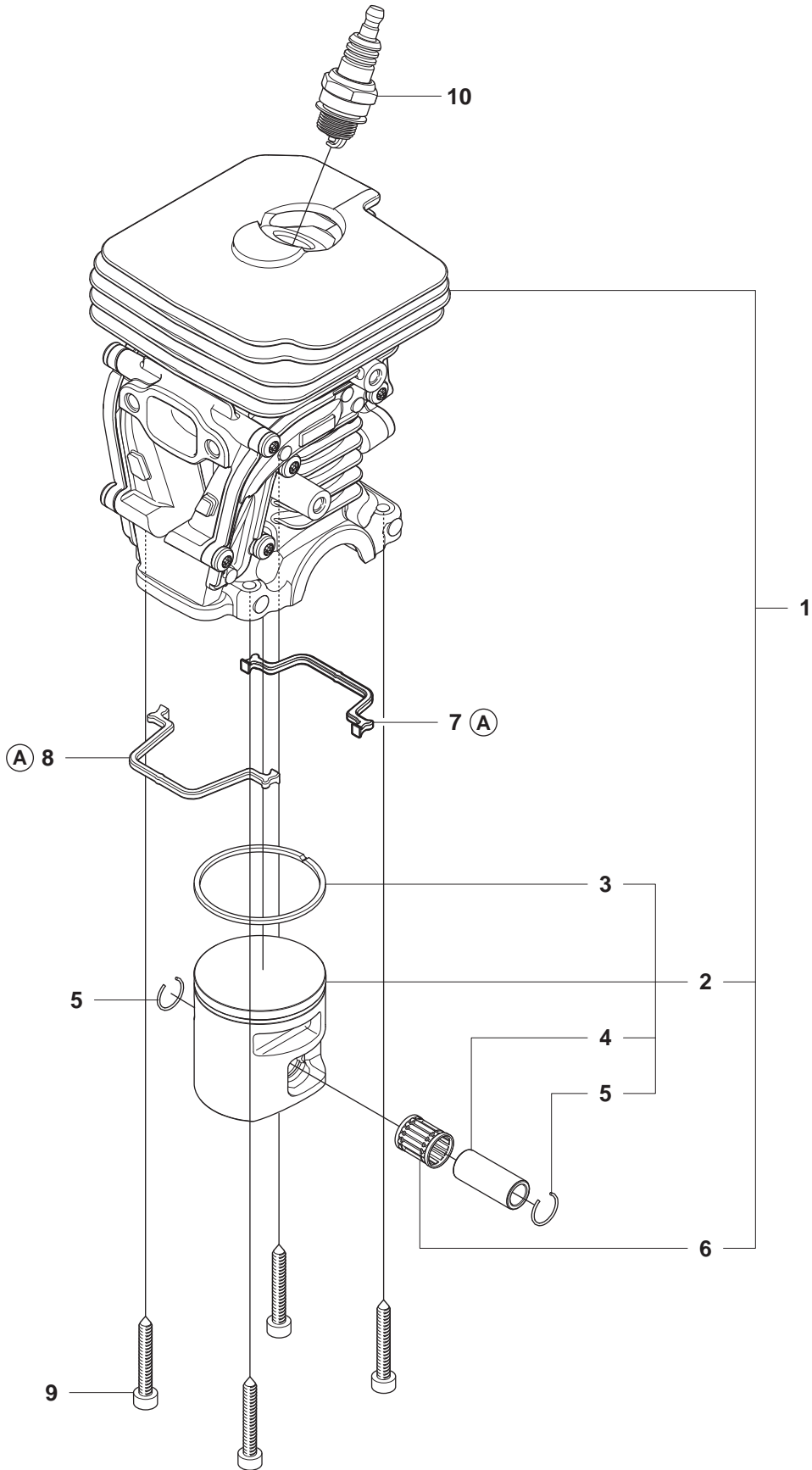


**Page G**  
**435, 435e, 440e**

<b>Pos.</b>	<b>Compl No.</b>	<b>Part No.</b>	<b>Quantity</b>	<b>Notes</b>
1		504 72 47-01	1	Insulation wall assy
2	504 72 47-01	504 72 45-01	1	Insulation wall rubber
3	504 72 47-01	504 72 44-01	1	Inulation wall plastic
4		504 20 12-01	1	Inlet pipe
5		503 20 02-16	4	Screw
6		506 45 05-01	1	Carburettor
7		544 28 44-01	1	Throttle rod assy
8		544 97 64-01	1	Filter holder assy
9	544 97 64-01	544 39 26-01	1	Shackle
10		504 71 25-01	1	Guide sliding shoe
11		544 84 43-02	1	Control assy
12	544 84 43-02	544 97 66-01	1	Screw
13		503 20 02-40	3	Screw
14		544 80 54-02	1	Air filter assy (yellow)
14		544 80 54-03	1	Air filter assy (nature)
15		503 93 66-01	1	Air purge
16		544 40 19-01	1	Hose, airpurge suction



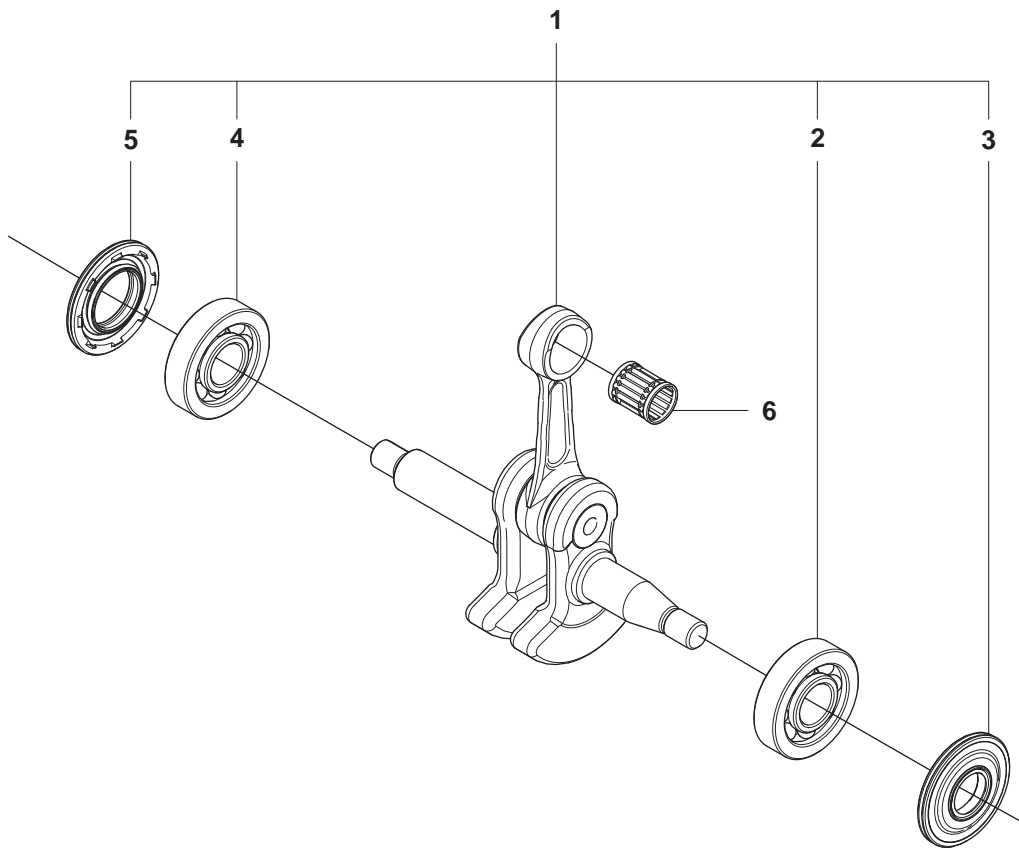
<b>Pos.</b>	<b>Compl No.</b>	<b>Part No.</b>	<b>Quantity</b>	<b>Notes</b>
1		504 73 51-02	1	Cylinder assy
2	504 73 51-02	502 62 50-02	1	Piston assy
3	502 62 50-02	544 40 59-01	1	Piston ring
4	502 62 50-02	544 40 60-01	1	Piston pin
5	502 62 50-02	537 39 99-01	2	Circlip
6	504 73 51-02	503 41 41-01	1	Needle bearing
7		544 39 60-01	1	Gasket, cylinder rear
8		544 39 59-01	1	Gasket, cylinder front
9		725 53 33-55	4	Screw
10		503 23 51-11	1	Spark plug



<b>Pos.</b>	<b>Compl No.</b>	<b>Part No.</b>	<b>Quantity</b>	<b>Notes</b>
1		504 73 51-01	1	Cylinder assy
2	504 73 51-01	502 62 50-02	1	Piston assy
3	502 62 50-02	544 40 59-01	1	Piston ring
4	502 62 50-02	544 40 60-01	1	Piston pin
5	502 62 50-02	537 39 99-01	2	Circlip
6	504 73 51-01	503 41 41-01	1	Needle bearing
7		544 39 60-01	1	Gasket, cylinder rear
8		544 39 59-01	1	Gasket, cylinder front
9		725 53 33-55	4	Screw
10		503 23 51-11	1	Spark plug

**J**

435, 435e, 440e

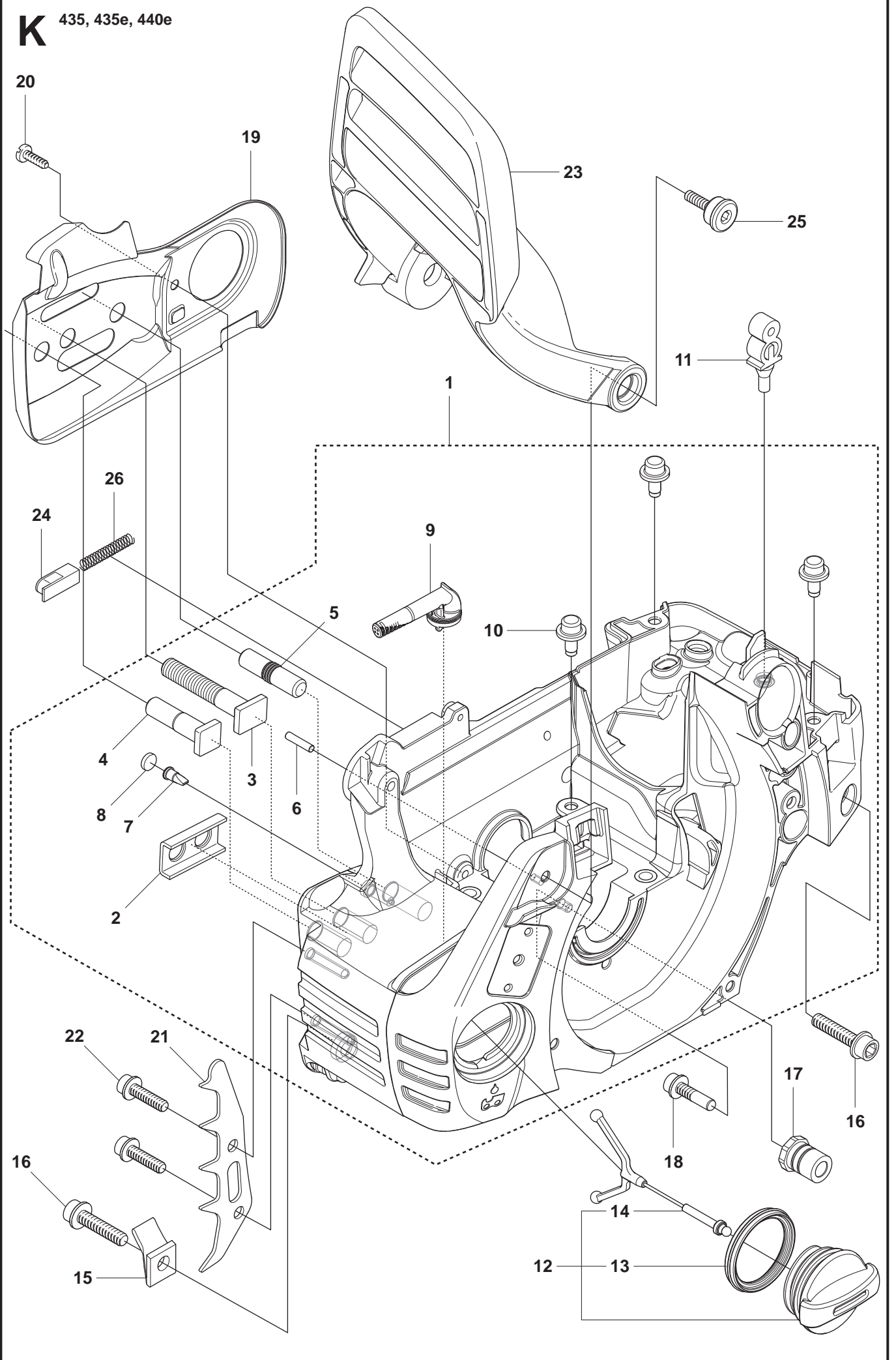




**Page J**  
**435, 435e, 440e**

<b>Pos.</b>	<b>Compl No.</b>	<b>Part No.</b>	<b>Quantity</b>	<b>Notes</b>
1		544 34 38-01	1	Crankshaft
2	544 34 38-01	544 24 87-01	1	Ball bearing 6001 OD32
3	544 34 38-01	544 25 12-01	1	Sealing 12x32x3,7
4	544 34 38-01	544 24 88-01	1	Ball bearing 6001 OD32w
5	544 34 38-01	544 25 13-01	1	Sealing 16,6x32,3,7
6		503 41 41-01	1	Needle bearing

**K** 435, 435e, 440e

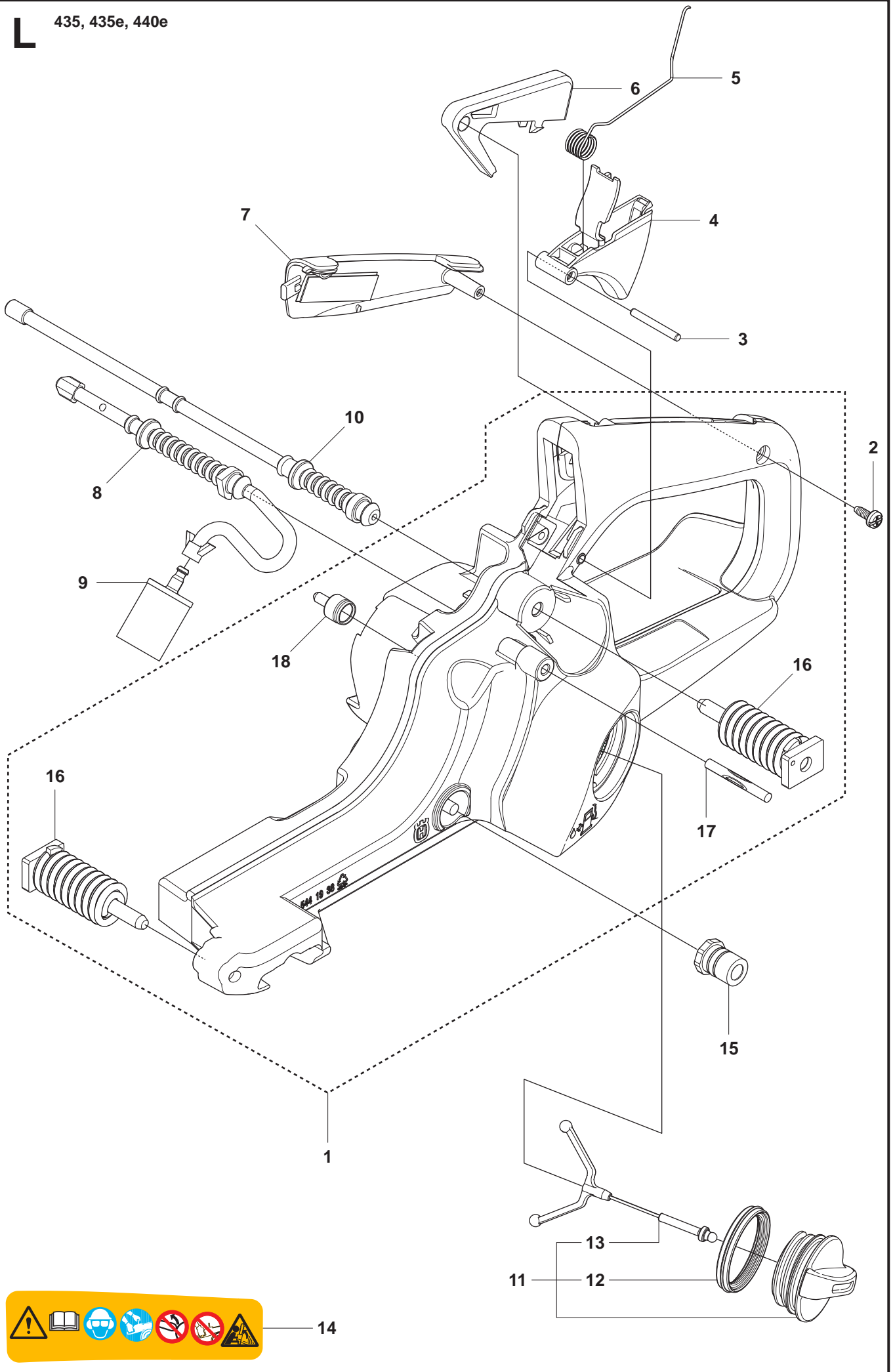


**Page K**  
**435, 435e, 440e**

<b>Pos.</b>	<b>Compl No.</b>	<b>Part No.</b>	<b>Quantity</b>	<b>Notes</b>
1		544 93 25-01	1	Crankcase assy
2		503 87 58-02	1	Stiffening plate
3		503 87 54-02	1	Bar bolt
4		537 33 46-01	1	Bar bolt
5		544 03 64-01	1	Bar bolt
6		503 24 09-05	1	Needle roller
7		530 02 61-19	1	Check valve
8		537 40 35-01	1	Filter
9		544 08 33-01	1	Oil screen
10		544 33 16-01	3	Guide pin
11		503 86 93-01	1	Support
12		544 11 12-01	1	Tank cap assy
13	544 11 12-01	537 21 50-01	1	Sealing
14	544 11 12-01	503 57 89-01	1	Holder
15		503 88 63-01	1	Chain catcher pin
16		544 31 62-01	2	Screw
17		501 00 76-01	1	Lateral support
18		503 21 51-03	1	Screw
19		544 28 46-01	1	Chain guide plate
20		503 21 70-10	1	Screw
21		544 28 65-01	1	Spike inner
22		503 21 75-20	2	Screw
23		544 25 15-01	1	Hand guard
24		503 89 24-01	1	Catch
25		503 89 30-02	2	Screw
26		503 43 65-01	1	Lock spring

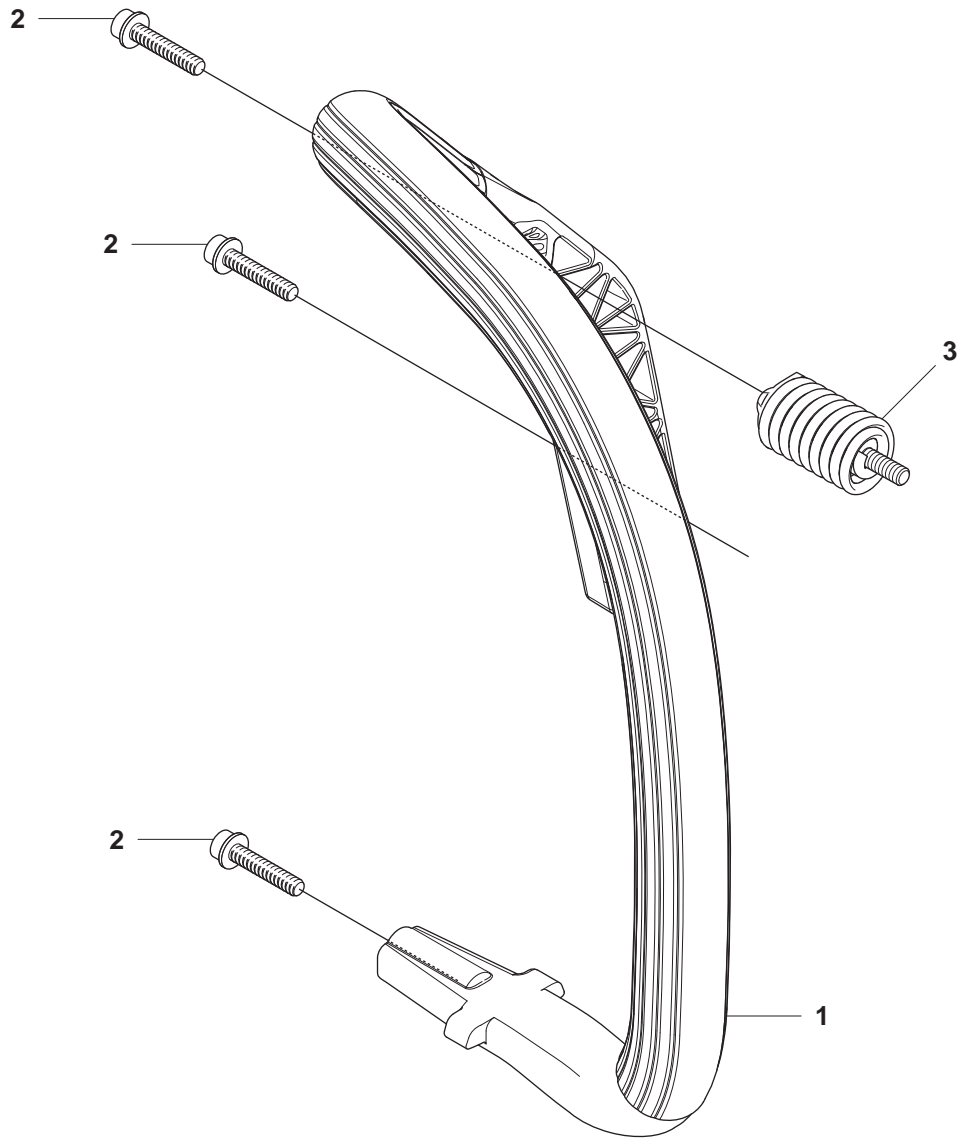


435, 435e, 440e



14

<b>Pos.</b>	<b>Compl No.</b>	<b>Part No.</b>	<b>Quantity</b>	<b>Notes</b>
1		544 19 38-01	1	Fuel tank assy
2		503 21 28-10	1	Screw
3		720 18 25-20	1	Pin
4		544 96 85-01	1	Throttle control
5		544 09 99-01	1	Spring
6		544 28 41-01	1	Throttle lockout
7		544 28 49-01	1	Handle insert
8		544 12 86-01	1	Fuel hose
9		503 44 32-01	1	Filter mix
10		544 12 97-01	1	Return hose
11		544 11 12-01	1	Tank cap assy
12	544 11 12-01	537 21 50-01	1	Sealing
13	544 11 12-01	503 57 89-01	1	Holder
14		544 37 50-01	1	Decal warning
15		501 00 76-01	1	Lateral support
16		504 79 56-01	2	Antivibration element
17		721 12 63-39	1	Grooved pin
18		537 35 95-01	1	Fuel tank vent

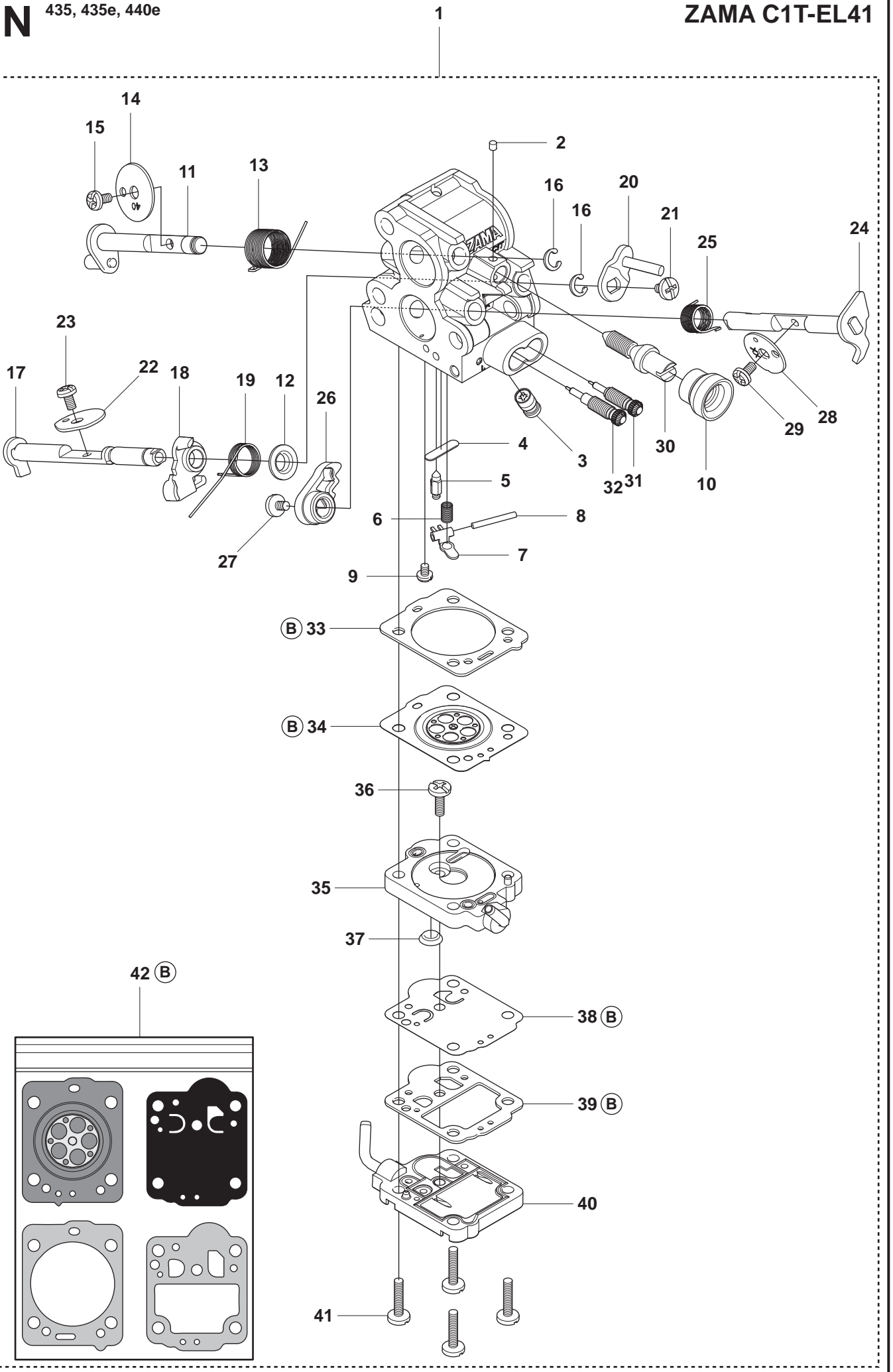


**Page M**  
**435, 435e, 440e**

<b>Pos.</b>	<b>Compl No.</b>	<b>Part No.</b>	<b>Quantity</b>	<b>Notes</b>
1		544 28 40-01	1	Front handle
2		503 21 88-76	3	Screw
3		503 89 83-01	1	Antivibration element

**N**

435, 435e, 440e

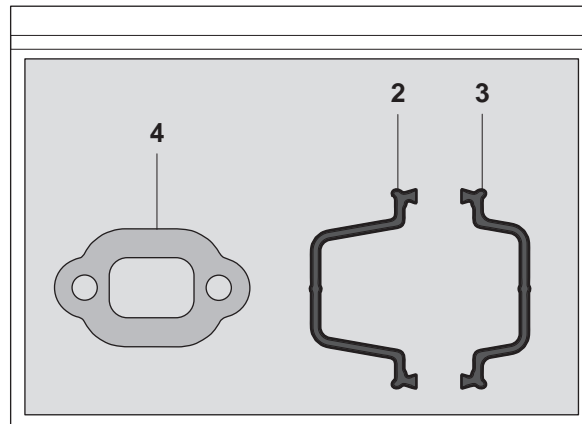
**ZAMA C1T-EL41**



**Page N**  
**435, 435e, 440e**

<b>Pos.</b>	<b>Compl No.</b>	<b>Part No.</b>	<b>Quantity</b>	<b>Notes</b>
1		506 45 05-01	1	Zama C1T-EL41
2	506 45 05-01	503 48 11-01	1	Piece
3	506 45 05-01	504 02 40-01	1	Nozzle assy
4	506 45 05-01	503 53 56-01	1	Plug welch
5	506 45 05-01	503 47 97-01	1	Valve
6	506 45 05-01	537 02 03-01	1	Spring
7	506 45 05-01	503 66 59-01	1	Lever
8	506 45 05-01	503 48 00-01	1	Pin retaning screw
9	506 45 05-01	504 02 41-01	1	Screw
10	506 45 05-01	505 53 52-01	1	Cap
11	506 45 05-01	504 02 61-01	1	Shaft assy
12	506 45 05-01	505 11 07-01	1	Collar
13	506 45 05-01	504 02 85-01	1	Spring
14	506 45 05-01	504 02 75-01	1	Valve
15	506 45 05-01	503 48 18-01	2	Screw
16	506 45 05-01	504 02 67-01	2	Circlip
17	506 45 05-01	504 02 62-01	1	Shaft assy
18	506 45 05-01	540 05 37-01	1	Lever
19	506 45 05-01	504 02 83-01	1	Spring
20	506 45 05-01	504 02 63-01	1	Lever
21	506 45 05-01	503 47 90-01	2	Screw
22	506 45 05-01	504 02 74-01	1	Valve
23	506 45 05-01	503 48 18-01	2	Screw
24	506 45 05-01	504 02 60-01	1	Shaft assy
25	506 45 05-01	504 02 84-01	1	Spring
26	506 45 05-01	544 98 31-01	1	Lever
27	506 45 05-01	503 47 90-01	2	Screw
28	506 45 05-01	504 02 76-01	1	Valve
29	506 45 05-01	503 47 92-01	1	Screw
30	506 45 05-01	504 02 73-01	1	Screw
31	506 45 05-01	504 90 92-01	1	Screw
32	506 45 05-01	504 02 81-01	1	Screw
33	506 45 05-01	504 02 43-01	1	Gasket
34	506 45 05-01	504 02 45-01	1	Diaphragm
35	506 45 05-01	504 02 46-01	1	Body
36	506 45 05-01	504 02 82-01	1	Screw
37	506 45 05-01	504 02 50-01	1	Strainer
38	506 45 05-01	504 02 56-01	1	Diaphragm
39	506 45 05-01	504 02 57-01	1	Gasket
40	506 45 05-01	504 02 59-01	1	Cover
41	506 45 05-01	504 02 78-01	4	Screw
42	506 45 05-01	504 02 86-01	1	Gasket kit

**P** Levereras endast som reservdel  
Delivery as spare part only  
Nur als Ersatzteil lieferbar  
Livrabable seulement comme pièce de rechange  
Solo como repuesto  
Zasilà se jenom jako náhradni díl

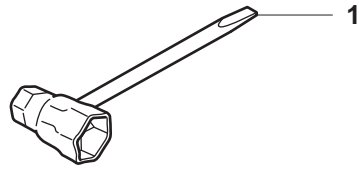


**1 (A)**  
Packningssats  
Set of gaskets  
Dichtungssatz  
Jeu de joints  
Juego de juntas

**Page P**  
**435, 435e, 440e**

<b>Pos.</b>	<b>Compl No.</b>	<b>Part No.</b>	<b>Quantity</b>	<b>Notes</b>
1		5047940-01		A
2		544 39 59-01	1	Gasket, cylinder
3		544 39 60-01	1	Gasket, cylinder
4		544 08 44-01	1	Gasket

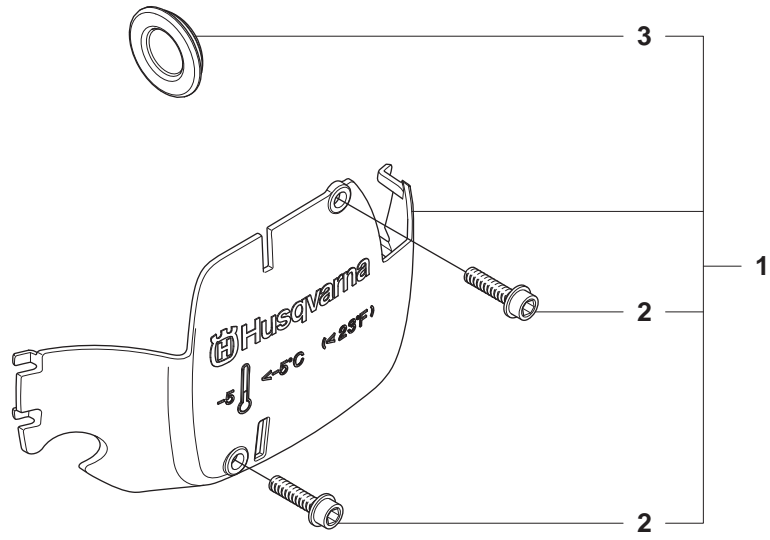
**Q** Tillbehör  
Accessories  
Zubehöre  
Accessoires  
Accesorios



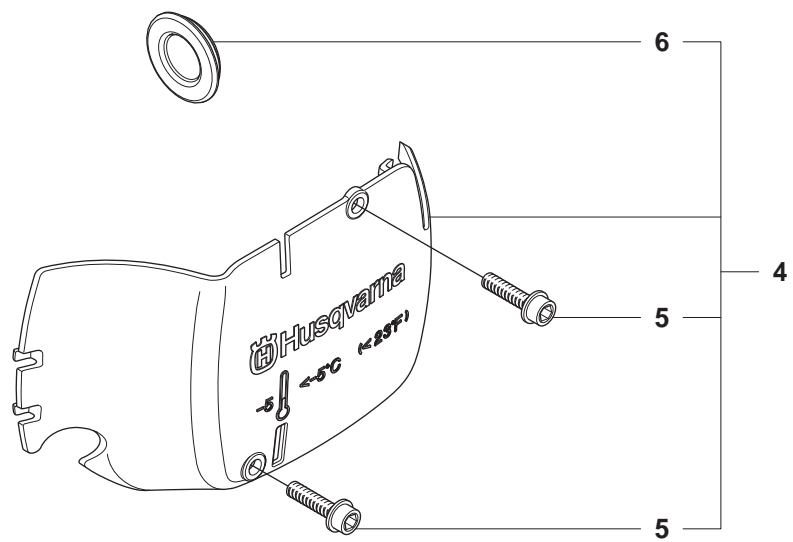
**Page Q**  
**435, 435e, 440e**

<b>Pos.</b>	<b>Compl No.</b>	<b>Part No.</b>	<b>Quantity</b>	<b>Notes</b>
1		503 55 85-04	1	Tool

**R** 435  
WINTER KIT



**R** 435e, 440e  
WINTER KIT



**Page R**  
**435, 435e, 440e**

<b>Pos.</b>	<b>Compl No.</b>	<b>Part No.</b>	<b>Quantity</b>	<b>Notes</b>
1		505 45 04-01	1	Winter kit
2	505 45 04-01	503 21 70-16	2	Screw
3	505 45 04-01	503 40 59-01	1	Winter plug
4		505 45 04-02	1	Winter kit, elasto
5	505 45 04-02	503 21 70-16	2	Screw
6	505 45 04-02	503 40 59-01	1	Winter plug