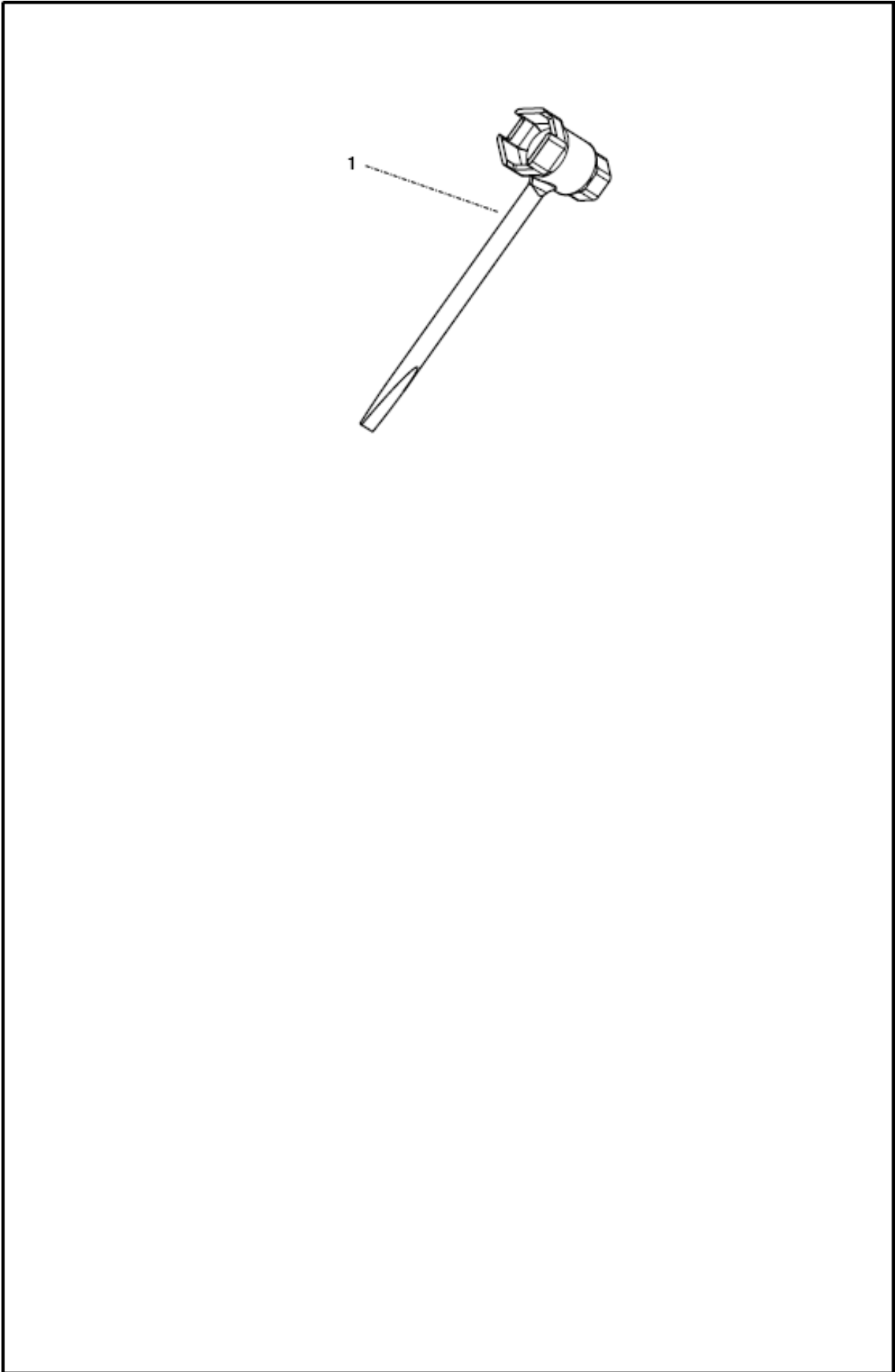




# SPARE PARTS LIST

## CHAIN SAWS

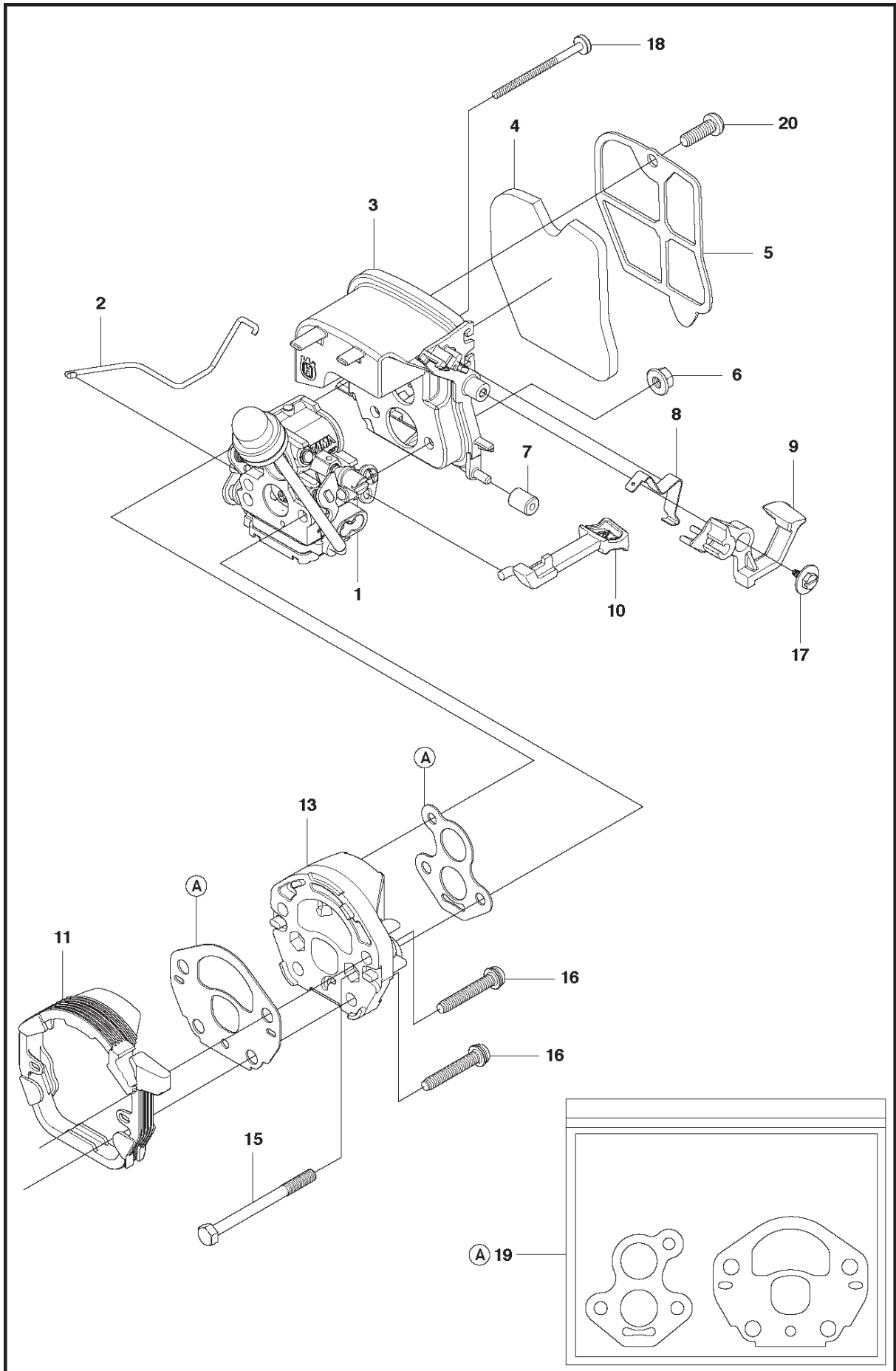
120 MARK II, 967861934, 967861936,  
2019-04



ACCESSORIES

120 MARK II, 967861934, 967861936, 2019-04

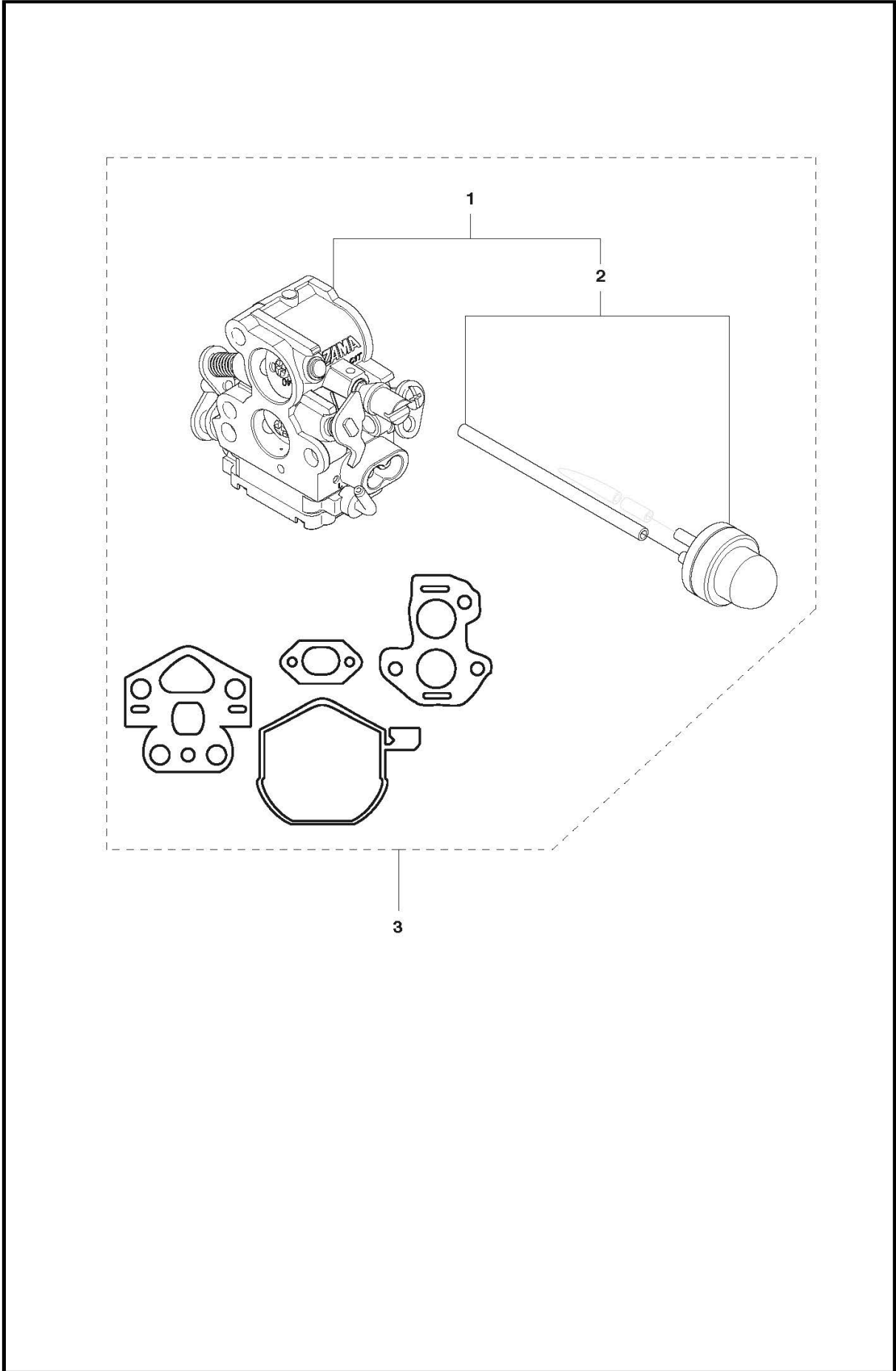
Ref	Part No	Description	Remark	QTY KIT
1	587 41 72-01	WRENCH		1



## CARBURETOR &amp; AIR FILTER

120 MARK II, 967861934, 967861936, 2019-04

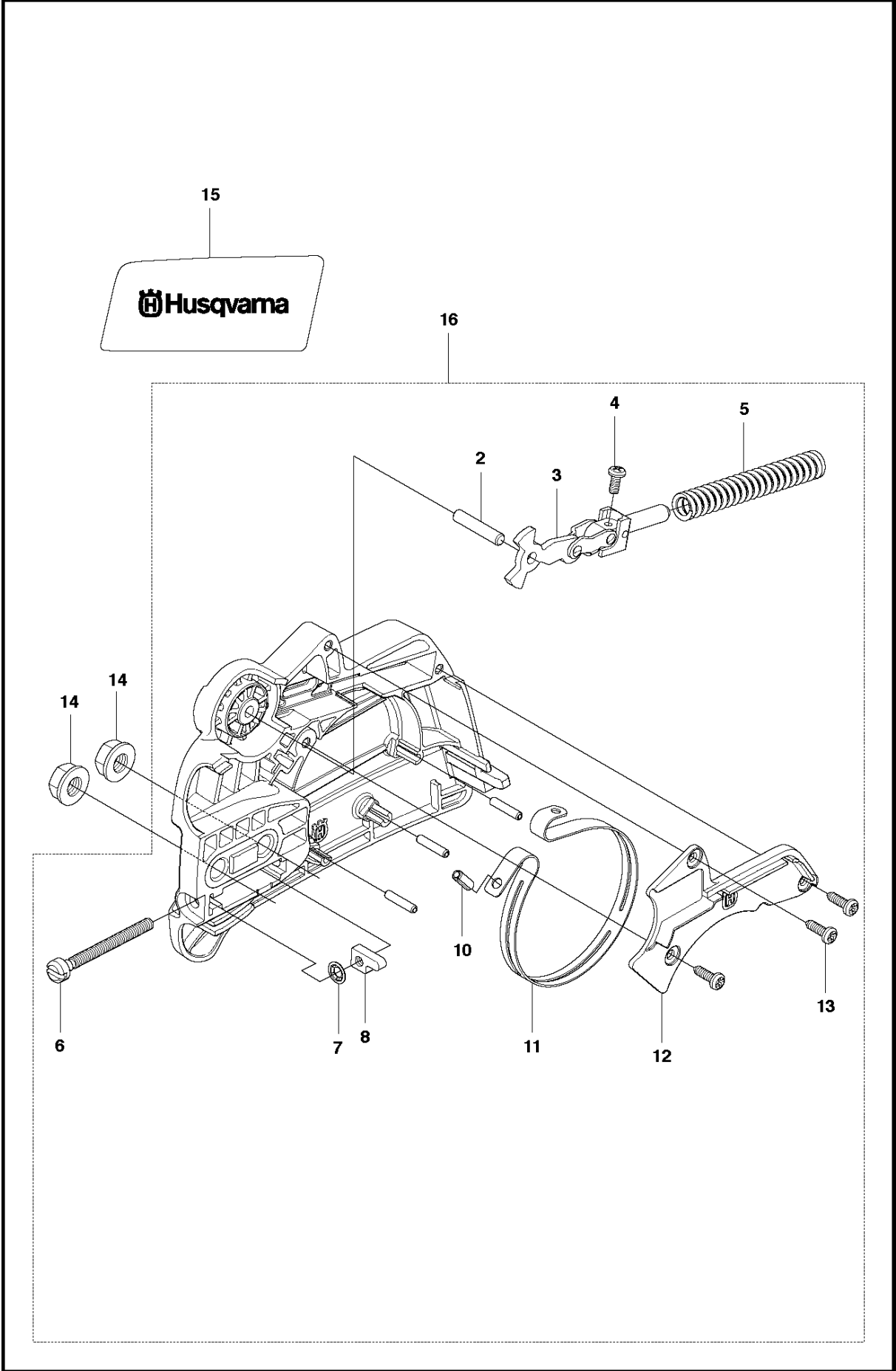
Ref	Part No	Description	Remark	QTY KIT
1	586 93 62-02	CARBURETTOR	CARBURETOR WITH PURGE BULB	1
2	577 81 52-01	THROTTLE	THROTTLE WIRE	1
3	575 49 34-01	AIR FILTER	HOUSING	1
4	545 06 18-01	AIR FILTER	AIR FILTER	1
5	545 15 18-01	FILTER	FILTER PLATE	1
6	530 01 61-01	NUT	NUT	2
7	545 06 19-01	ISOLATOR	ISOLATOR FILTER HOUSING	1
8	545 06 34-01	SWITCH. SPRING	SWITCH SPRING	1
9	545 06 17-01	SWITCH LEVER	SWITCH LEVER	1
10	545 06 16-01	CHOKE KNOB	CHOKE KNOB	1
11	545 06 15-01	CARB ADAPTOR SEAL	CARB ADAPTOR SEAL	1
13	577 63 65-01	ADAPTOR	ADAPTOR CARBURETOR	1
15	545 03 37-01	STUD-CARBURETOR	STUD-CARBURETOR	2
16	545 15 83-01	CARB ADAPTOR SCREW	CARB ADAPTOR SCREW	4
17	530 01 60-80	SCREW	SCREW	1
18	545 07 49-01	TOP STUD-CARBURETOR	TOP STUD- CARBURETOR	1
19	545 08 18-92	GASKET KIT	GASKET KIT	1
20	530 01 63-49	SCREW	SCREW	1



CARBURETOR DETAILS

120 MARK II, 967861934, 967861936, 2019-04

Ref	Part No	Description	Remark	QTY KIT
1	586 93 62-02	CARBURETTOR	CARBURETOR WITH PURGE BULB	1
2	545 00 80-30	PURGE AND LINE ASSEMBLY	PURGE AND LINE ASSEMBLY	1
3	545 00 80-32	KIT	KIT CARB REPAIR	1

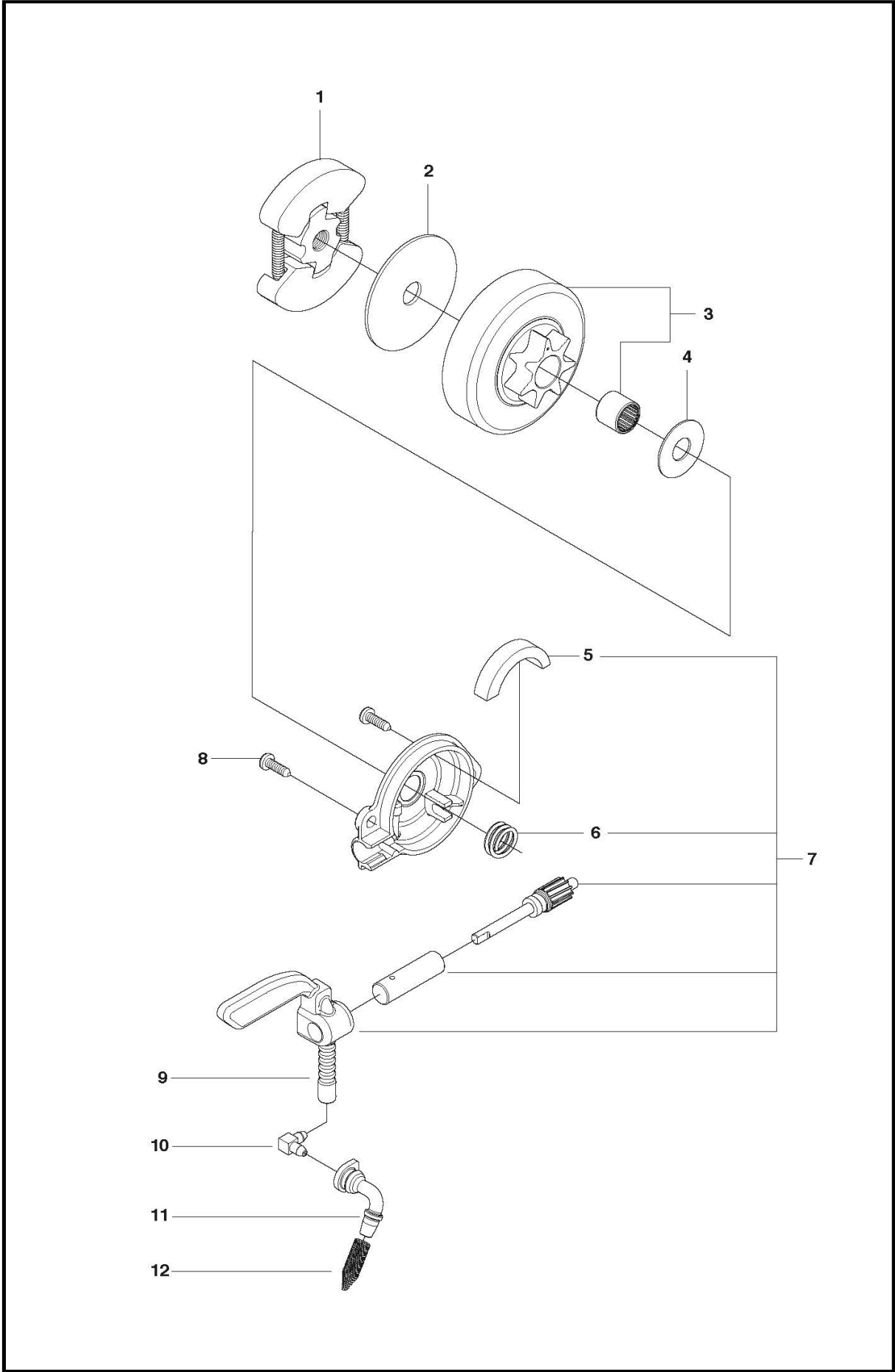




## CHAIN BRAKE

120 MARK II, 967861934, 967861936, 2019-04

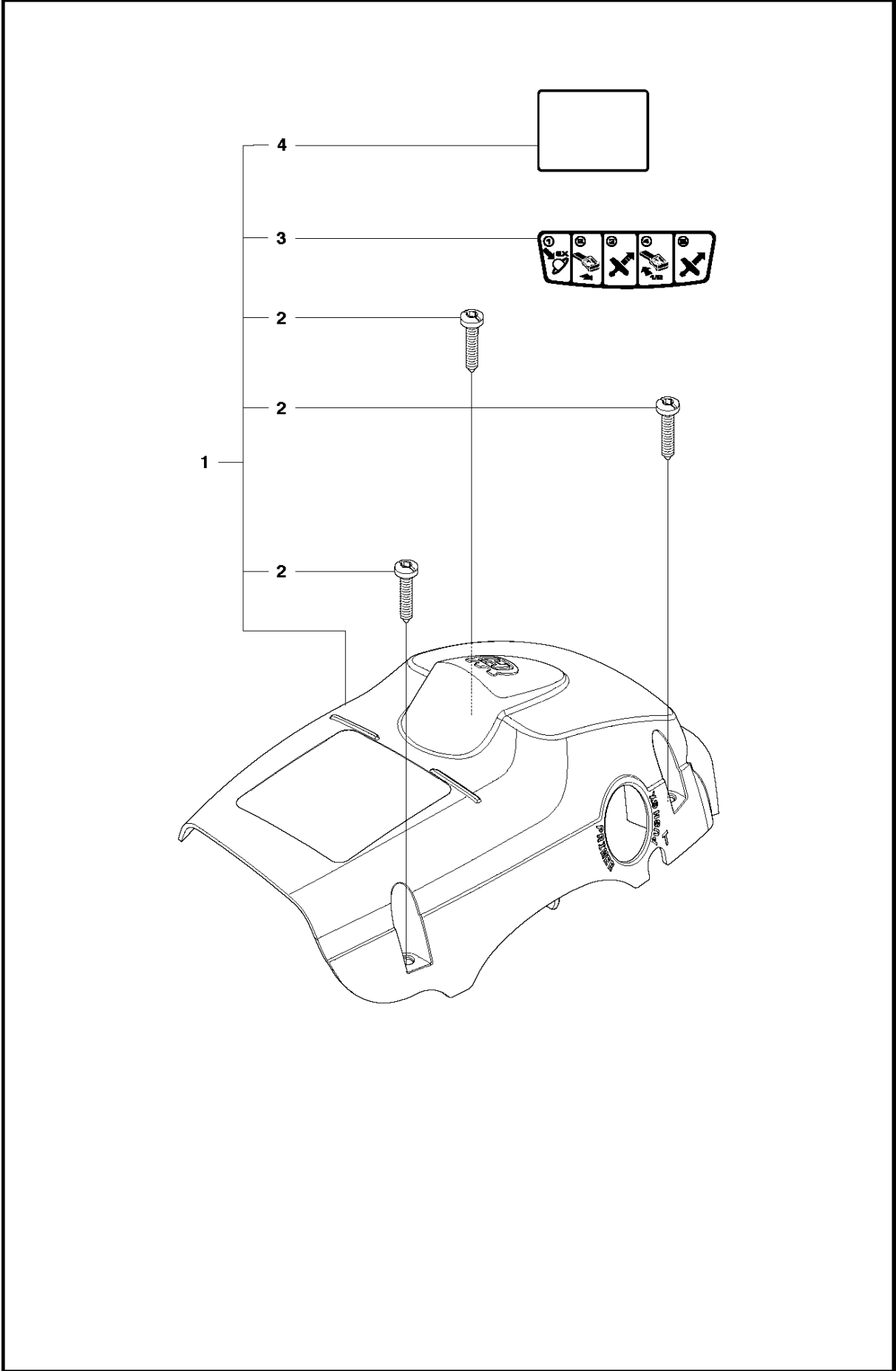
Ref	Part No	Description	Remark	QTY	KIT
2	530 05 79-50	PIN. DOWEL	PIN. DOWEL	1	
3	530 05 79-13	LINK FRONT	LINK FRONT	1	
4	574 78 03-01	SCREW	SCREW M3.63-1.34 X 8MM TORX	1	
5	530 01 64-15	SPRING COMPRESSION	SPRING COMPRESSION	1	
6	530 01 61-10	SCREW	SCREW BAR ADJUSTMENT	1	
7	530 03 85-93	RETAINER	RETAINER BAR ADJUSTMENT	1	
8	530 01 58-26	PEN	PIN BAR ADJUSTING	1	
10	530 01 59-13	PEN	PIN BRAKE BAND	1	
11	530 05 79-23	BRAKE BAND	BRAKE BAND	1	
12	525 74 30-01	COVER	COVER CHAIN BRAKE	1	
13	545 22 71-01	SCREW	SCREW	3	
14	530 01 59-17	NUT	NUT	2	
15	545 11 87-01	DECAL	DECAL	1	
16	525 62 89-01	CHAIN BRAKE ASSY	CHAIN BRAKE ASSY	1	2,3,4,5,6 ,7,8,10,1 1,12,13



## CLUTCH &amp; OIL PUMP

120 MARK II, 967861934, 967861936, 2019-04

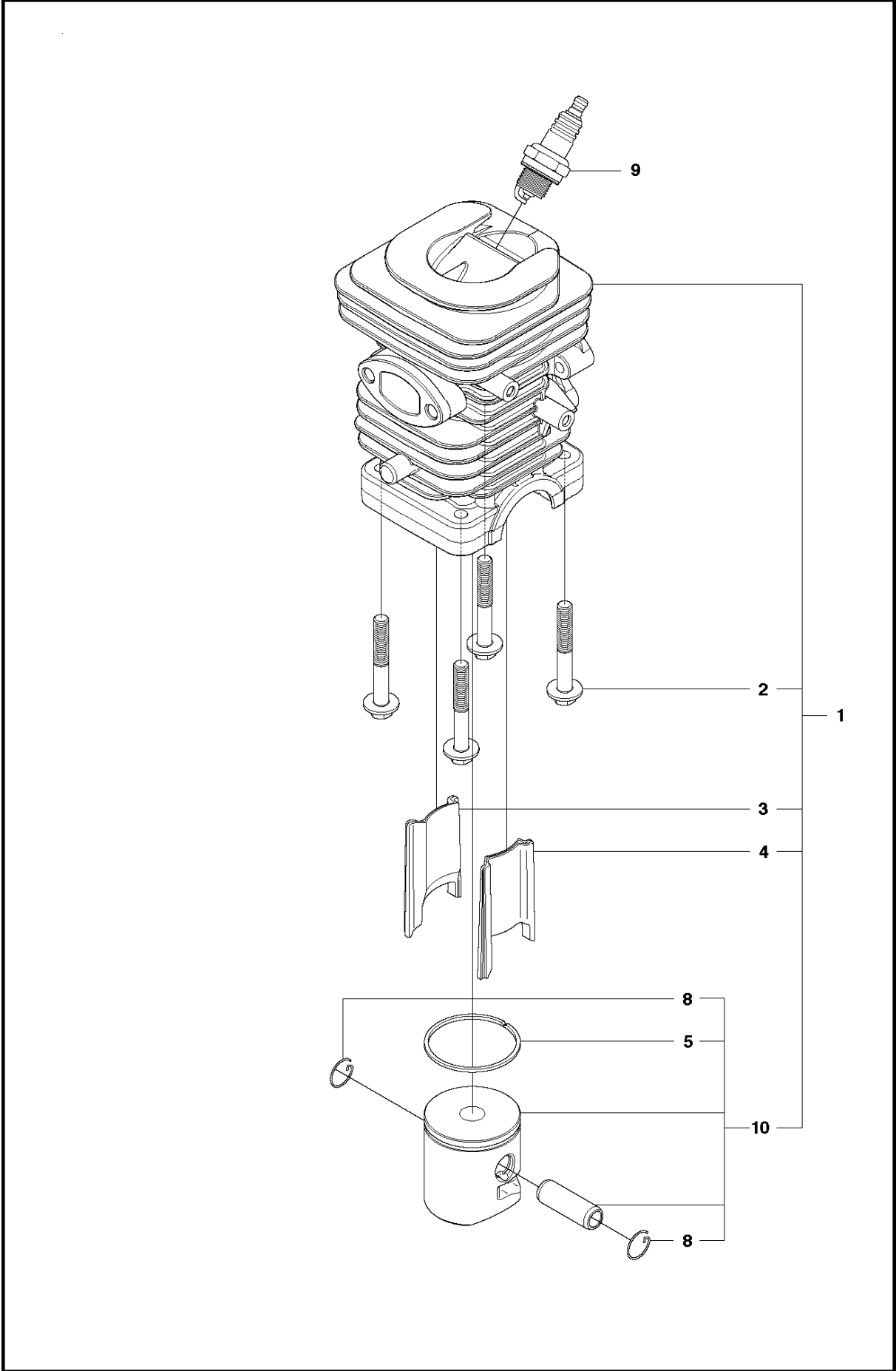
Ref	Part No	Description	Remark	QTY KIT
1	530 01 49-49	CLUTCH	CLUTCH	1
2	530 01 56-11	WASHER	WASHER	1
3	530 04 70-61	CLUTCH DRUM ASSY	CLUTCH DRUM ASSY SPUR 3/8" 6T	1
4	579 62 15-01	WASHER	WASHER THRUST	1
5	525 31 84-01	DUST SEAL	DUST SEAL OIL PUMP	1
6	530 03 78-20	WORM GEAR	PISTON	1
7	581 06 39-01	OIL PUMP ASSY	OIL PUMP ASSY COMPLETE	1
9	545 22 75-01	BLOCK	BLOCK OIL	1
10	530 04 94-77	ELBOW	ELBOW	1
11	545 06 94-01	SEAL	SEAL	1
12	530 05 65-33	SCREEN	SCREEN	1



## COVER

120 MARK II, 967861934, 967861936, 2019-04

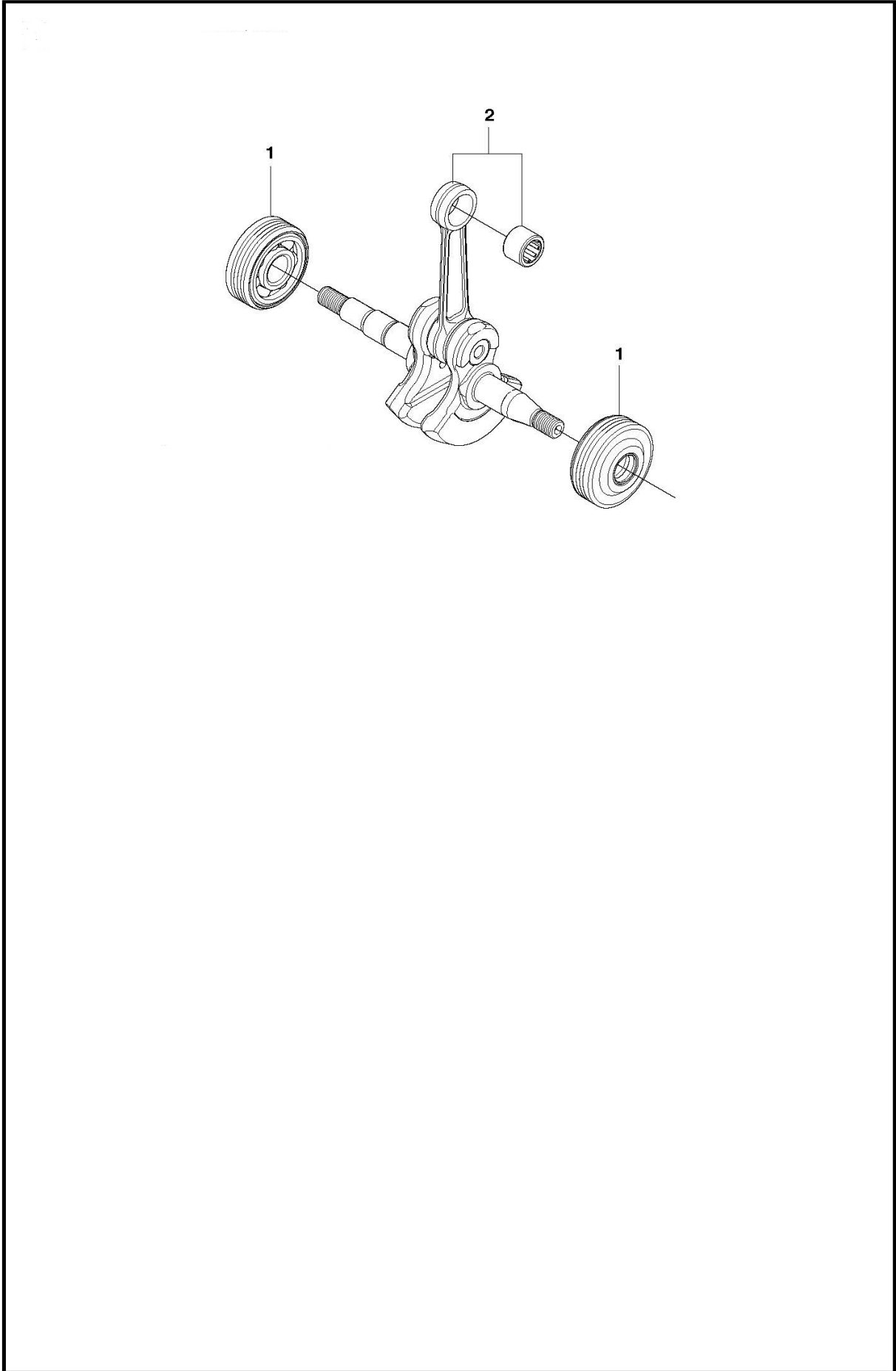
Ref	Part No	Description	Remark	QTY	KIT
1	576 54 32-01	KIT	KIT CYLINDER SHIELD	1	2,3,4
2	574 32 06-01	SCREW	SCREW M5-0.8X25	3	
3	545 11 65-02	DECAL	DECAL STARTING INSTRUCTIONS	1	
4	545 16 59-57	SIGN	DECAL WARNING	1	
NI	579 17 34-01	KIT	KIT CHASSIS BRASS INSERTS	1	



## CYLINDER PISTON

120 MARK II, 967861934, 967861936, 2019-04

Ref	Part No	Description	Remark	QTY	KIT
1	545 05 04-17	KIT		1	
2	545 08 15-01	BOLT		4	
3	574 19 09-01	INSERT		1	
4	574 19 08-01	INSERT		1	
5	530 01 26-08	PISTON RING		1	
8	530 01 56-97	LOCKING RING		2	
9	503 23 51-08	SPARK PLUG		1	
10	545 08 18-94	KIT	PISTON	1	5,8

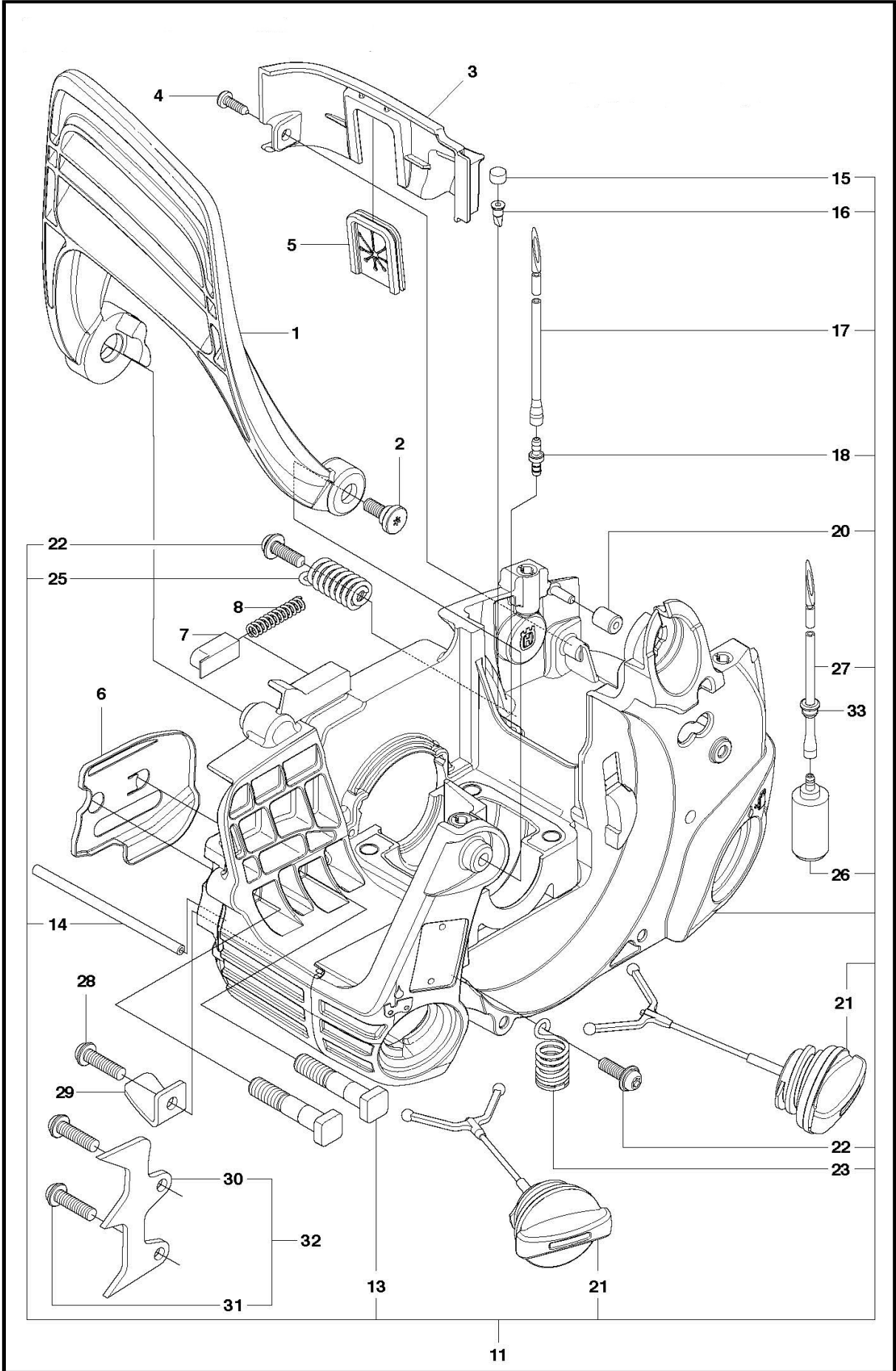




CRANKSHAFT

120 MARK II, 967861934, 967861936, 2019-04

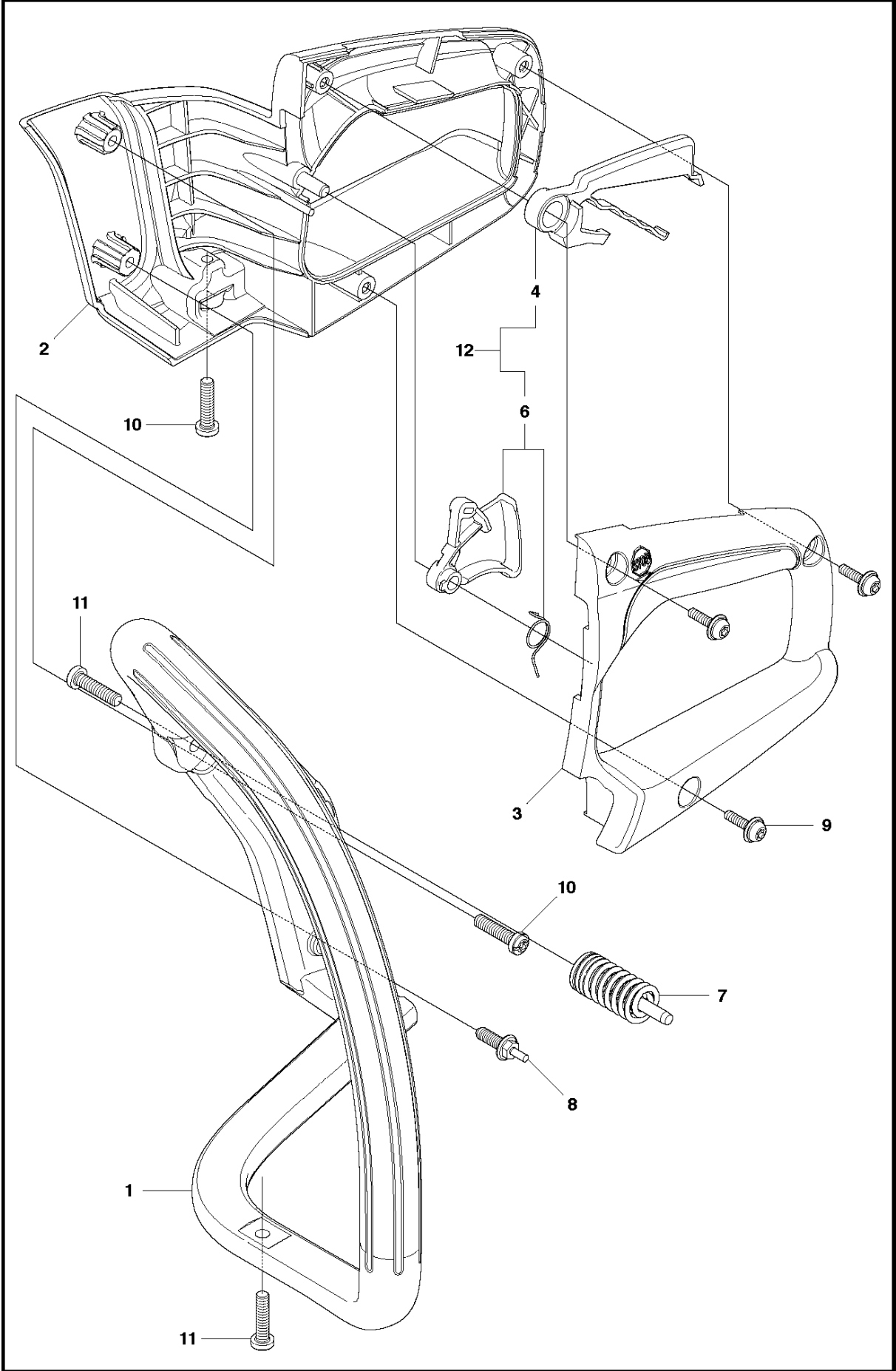
Ref	Part No	Description	Remark	QTY KIT
1	576 24 39-01	BEARING		2
2	580 30 26-01	CRANKSHAFT		1



## FUEL TANK &amp; HANDLE

120 MARK II, 967861934, 967861936, 2019-04

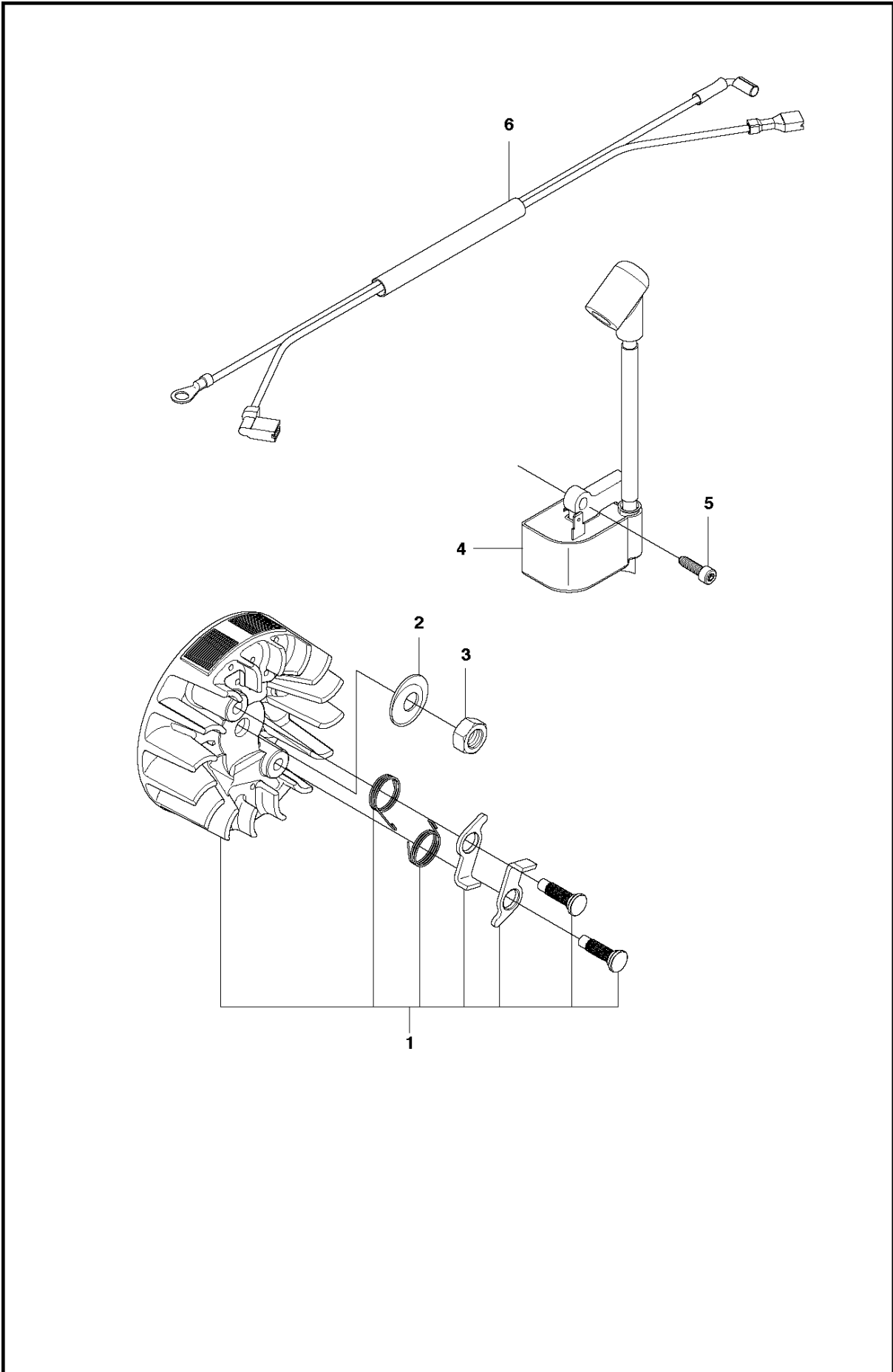
Ref	Part No	Description	Remark	QTY	KIT
1	577 61 19-01	HAND GUARD		1	
2	545 12 73-01	BOSS		1	
3	545 06 12-01	REAR WHEEL		1	
4	545 22 71-01	SCREW		1	
5	545 07 54-01	GROMMET		1	
6	545 07 14-01	BAR		1	
7	545 07 13-01	CAP. SPRING HANDGUARD		1	
8	545 07 12-01	SPRING. HANDGUARD POSITION		1	
11	579 66 52-01	CHASSIS		1	13-27
13	529 31 03-01	BOLT		2	
14	545 03 35-01	HOSE		1	
15	530 02 98-68	PLUG		1	
16	530 02 61-19	CHECK VALVE		1	
17	580 72 71-01	FUEL HOSE		1	
18	530 02 38-77	NIPPLE		1	
20	545 06 19-01	ISOLATOR		1	
21	544 11 12-01	TANK CAP ASSY		2	
22	530 01 59-06	SCREW		2	
23	545 03 38-01	ISOLATOR		1	
25	545 06 31-01	SPRING		1	
26	577 16 72-01	ASSEMBLY		1	
27	580 72 71-01	FUEL HOSE		1	
28	530 01 58-14	SCREW		1	
29	530 02 98-50	CHAIN CATCHER		2	
30	530 03 89-90	FELLING DOG		1	
31	530 01 64-39	SCREW		2	
32	530 01 43-81	FELLING DOG		1	30,31
33	503 73 58-01	BUSHING		1	



## HANDLE &amp; CONTROLS

120 MARK II, 967861934, 967861936, 2019-04

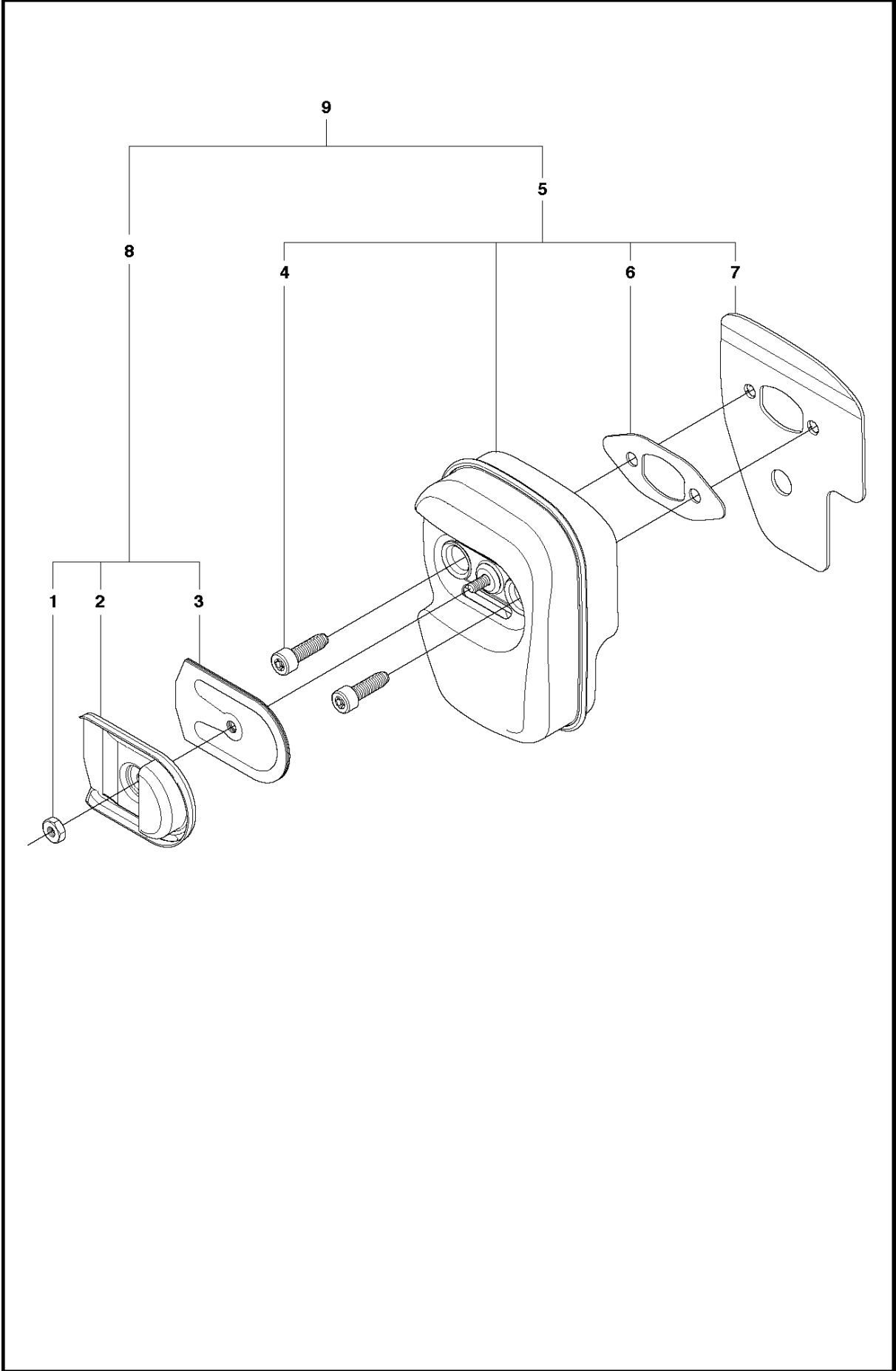
Ref	Part No	Description	Remark	QTY	KIT
1	545 06 24-01	FRONT HANDLE		1	
2	545 06 22-02	REAR HANDLE W/OVMLD 240E		1	
3	545 06 23-02	REAR HANDLE COVER W/OVMLD 240E		1	
4	545 06 26-01	LOCKOUT- THROTTLE		1	
6	578 24 67-01	TRIGGER		1	
7	545 03 39-01	ISOLATOR		1	
8	545 07 63-01	ISOLATION LIMITER SCREW		1	
9	530 01 64-33	SCREW		3	
10	530 01 63-49	SCREW		2	
11	530 01 64-32	SCREW		2	
12	578 86 22-01	KIT		1	4,6



## IGNITION SYSTEM

120 MARK II, 967861934, 967861936, 2019-04

Ref	Part No	Description	Remark	QTY KIT
1	575 63 55-02	FLYWHEEL	FLYWHEEL ASSY	1
2	530 01 51-27	WASHER	WASHER 5/16" RAMP CONICAL	1
3	530 01 61-34	NUT	NUT HEX M8-1 RH GR8	1
4	575 80 35-01	MODULE	MODULE	1
5	545 12 19-01	SCREW	SCREW M4-0.7X16MM SEMS T20	2
6	545 07 99-01	ASSY- WIRE HARNESS	ASSY- WIRE HARNESS	1

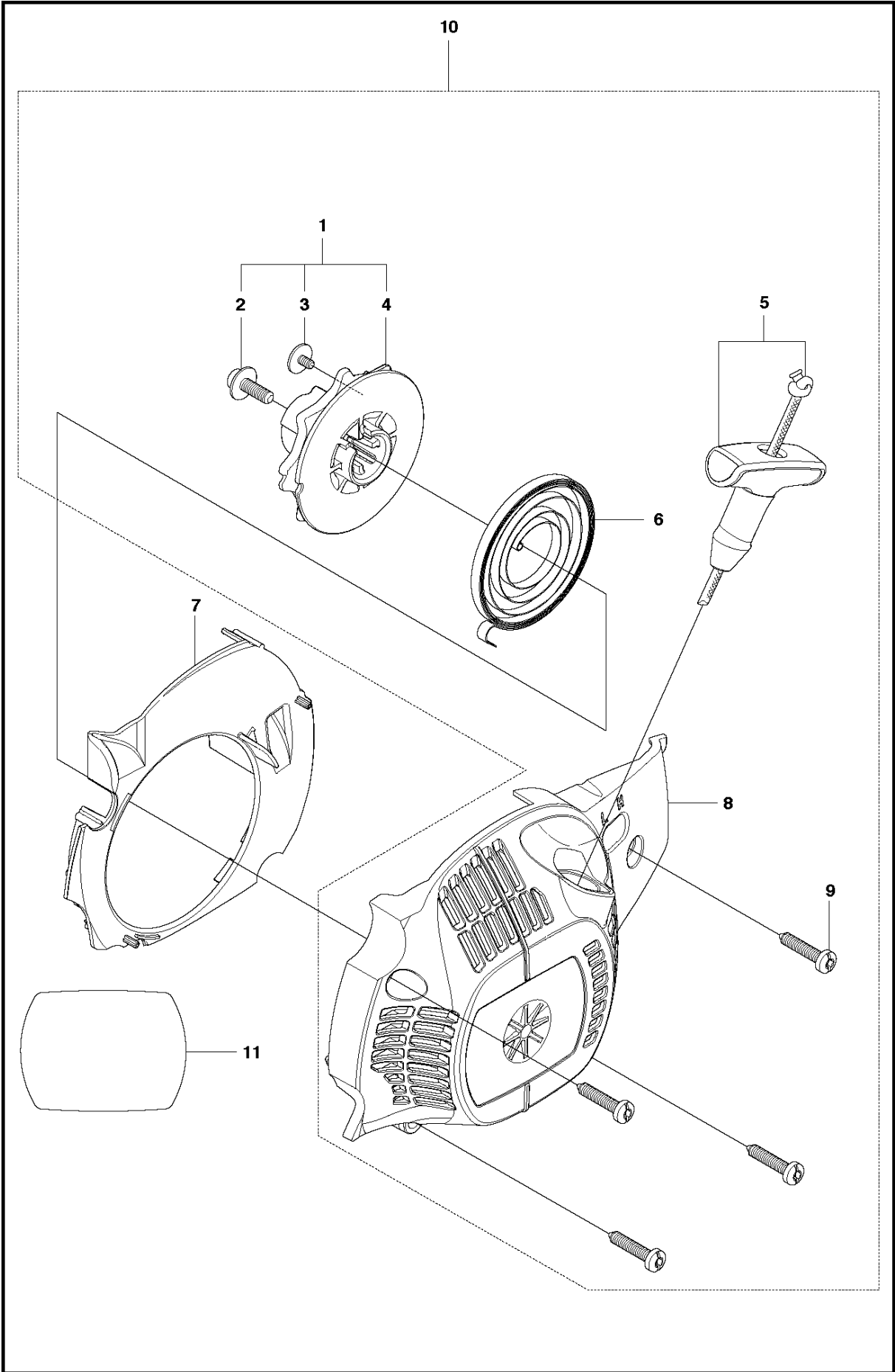




## MUFFLER

120 MARK II, 967861934, 967861936, 2019-04

Ref	Part No	Description	Remark	QTY	KIT
1	574 26 64-01	NUT	NUT 10MM BRASS	1	
2	545 07 69-01	EXHAUST PLATE	EXHAUST PLATE	1	
3	545 16 74-01	SCREEN	SCREEN ARRESTOR GASKET	1	
4	530 01 63-38	BOLT	BOLT	2	
5	586 09 43-01	MUFFLER	MUFFLER ASSY	1	
6	530 05 48-84	MUFFLER GASKET	MUFFLER GASKET	1	
7	545 06 69-01	MUFFLER BACK PLATE	MUFFLER BACK PLATE	1	
8	545 00 80-27	KIT	KIT SPARK ARRESTOR	1	1,2,3
9	545 18 08-43	MUFFLER	MUFFLER KIT COMPLETE	1	1,2,3,4,5 ,6,7,8



## STARTER

120 MARK II, 967861934, 967861936, 2019-04

Ref	Part No	Description	Remark	QTY	KIT
1	545 00 80-28	KIT	KIT STD STARTER	1	2,3,4
2	530 01 59-20	SCREW	SCREW	1	
3	530 01 60-80	SCREW	SCREW	1	
4	530 05 78-90	STARTER PULLEY	STARTER PULLEY	1	
5	545 01 00-10	HANDLE	HANDLE ROPE ASSY	1	
6	530 04 20-95	SPRING	SPRING	1	
7	545 06 38-01	BAFFLE	BAFFLE	1	
8	545 06 37-01	FAN HOUSING	FAN HOUSING	1	
9	530 01 64-32	SCREW	SCREW SCREW M5.38-14X22.225MM	4	
10	545 00 80-25	KIT	KIT COMPLETE	1	1,2,3,4,5,6,8,9
11	594 91 41-01	DECAL	DECAL FAN HOUSING 120 MARK II	1	