



## Instructions for Moultrie Standard Feeder

THANK YOU for your purchase of a Moultrie Standard Quick-Lock Feeder. Please read this sheet before operating the unit. If you should have any questions about this product or any other Moultrie product, please contact us using the information on the back of this sheet. Allow us to better serve you by activating your 1-year warranty online at <http://www.moultriefeders.com/warranty>

### A INSTALL BATTERIES

To install the batteries or adjust the feed settings, remove the bottom of the feeder by rotating it counter clockwise as shown. Install four (4) AA alkaline or lithium batteries with the negative side of the battery going to the battery holder spring clip. Replace bottom by rotating clockwise until secure.

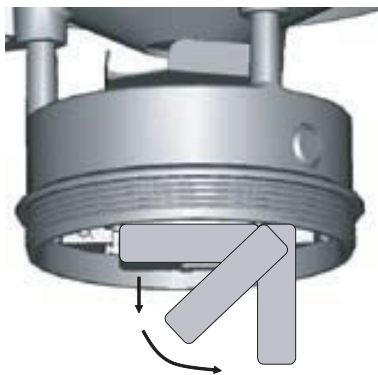
**NOTE: Do not mix old and new batteries.**  
**Always replace ALL the batteries at the same time.**  
**Do not mix battery types.**



### B CONFIGURING AND TESTING FEEDER

Your Feeder will feed up to four times per day and has been factory set to feed at 7:00am and 6:00pm for 6 seconds. To change factory settings or add additional feed times, follow the instructions below.

- 1 POSITION TIMER:** The Timer may be rotated outward for easier viewing. Gently pull down on the button-side of the Timer as shown.

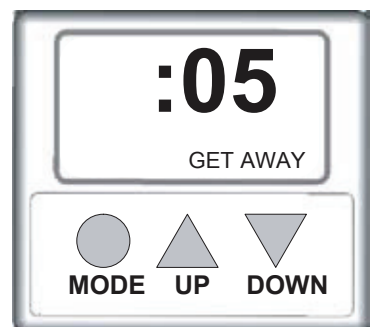


- 2 SET TIME OF DAY:** Press the UP or DOWN button until the correct time of day appears. Press and release button to single-step through the minutes or hold down to advance quickly.

- 3 SET FEED TIMES:** Press the SET button until the correct Timer Number appears in the upper right hand corner as shown. Press the UP or DOWN button to set the Feed Time.  
**Note: Factory settings are 7am and 6pm.**

- 4 SET RUN DURATION:** Press the SET button again to set the RUN-TIME SECONDS which can range from zero to twenty seconds. Adjust RUN-TIME SECONDS using the chart below. Set the RUN-TIME SECONDS to zero to disable the specific feed time. **Note: Factory setting is 6 seconds.**

RUN TIME (sec.)	4	6	8	10	12	14	16	18	20
Approx. Feed Dispensed (lbs.)	1.0	1.5	1.9	2.4	2.8	3.3	3.7	4.2	4.6



**TEST FEEDER:** PRESS AND HOLD the SET button while the RUN-TIME SECONDS are displayed. Release the button and get away from the feeder when the message "TESTING GET AWAY" appears on the display.

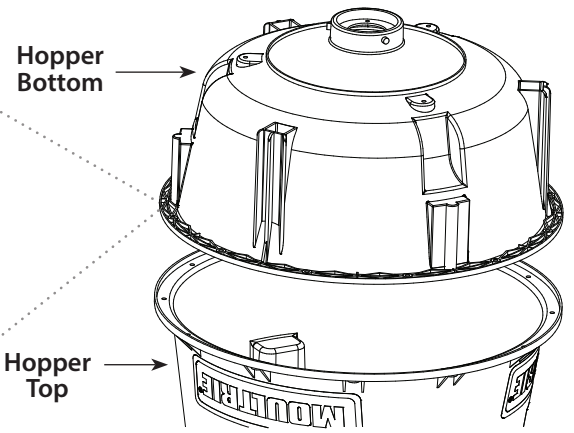
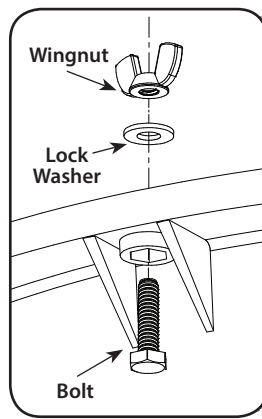
**NOTE: DO NOT LOAD FEEDER** until it is standing up and in place (see Section C-4).

**C****ASSEMBLE WITH MOULTRIE QUICK-LOCK HOPPER**

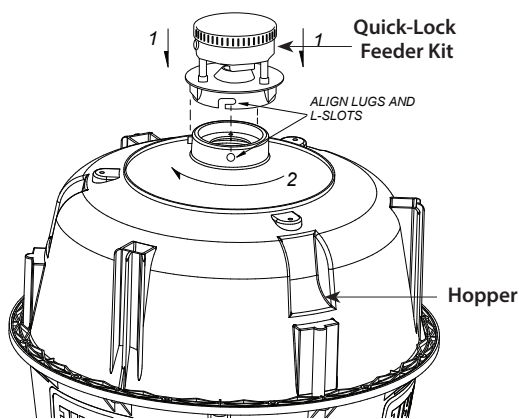
- 1** Flip **Hopper Top** upside-down and mate to **Hopper Bottom**.

Align holes, then press sides of **Hopper Bottom** until it snaps snugly in place. Insert **Bolt** upward through each hole, place **Lock Washer** on bolt and screw **Wingnut** onto bolt until tight. Repeat for all 12 bolts.

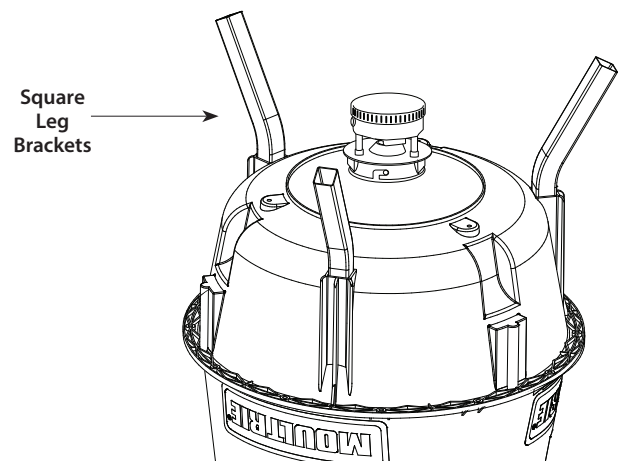
**Note: Failure to properly secure 2 halves can result in leakage.**



- 2** Connect **Quick-Lock Feeder Kit** to assembled Hopper as shown.



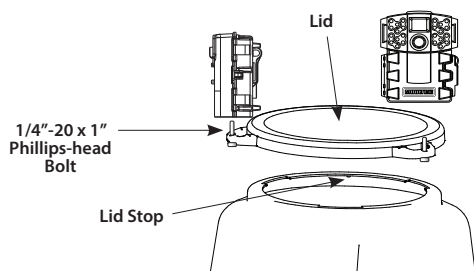
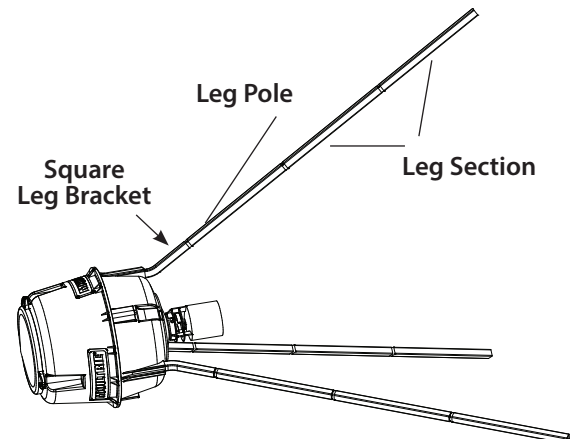
- 3** Slide the three provided **Square Leg Brackets** into the Hopper as shown.



- 4** **Stand Up Feeder and Install Lid**

Place Hopper on side. Assemble three **Leg Poles** using two **Leg Sections** each for the Moultrie Deer Feeder Standard and Pro. For the Moultrie Deer Feeder Elite, you have three height options; assemble two Leg Sections (5' Fill Height), Three Leg Sections (7' Fill Height), or Four Leg Sections (8' Fill Height).

Install a **Leg Pole** on the inside of each of the **Square Leg Brackets**. Make sure to have all leg sections connected properly with the sections inserted as far as they will go. With two **Leg Poles** against the ground as shown, carefully stand up the **Feeder** assembly.



Install **Lid** by aligning handles with notches in **Hopper Top**. Twist until Lid rests flush against **Lid Stop**.

To install a **Moultrie Game Camera** or **Feeder Power Panel** (sold separately), thread included **1/4\"/>**

**MOULTRIE**

Our Service Department will gladly answer any questions you have.  
Call **800-653-3334**, Monday - Friday, 8:00 AM to 5:00 PM CST.  
[www.moultriefeders.com](http://www.moultriefeders.com)