

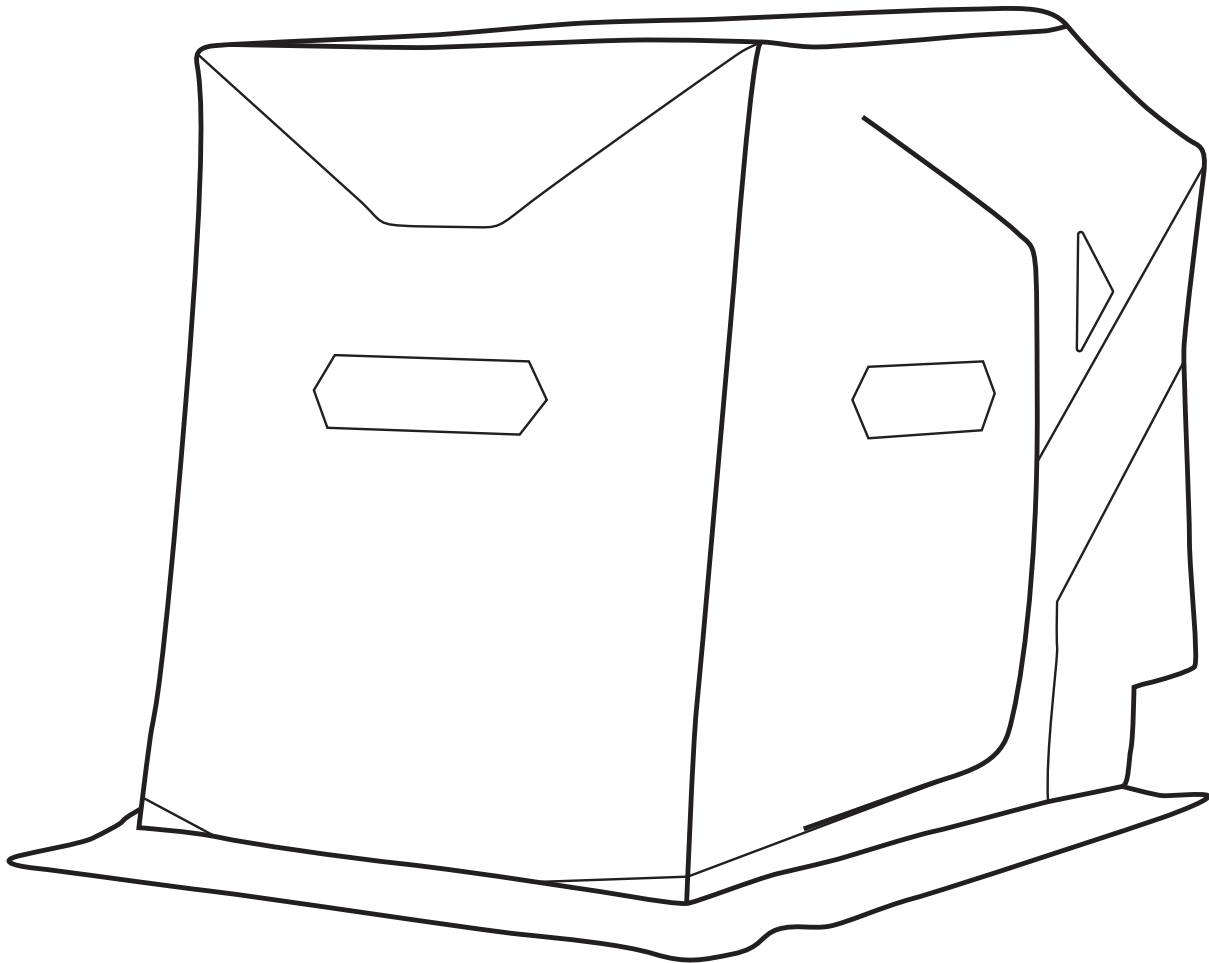


Operator's Manual

# Eskape™ 2600

## Flip-Style Sled Shelter

ENGLISH



**MODEL #38400**

Get parts online at  
[www.GetEskimo.com](http://www.GetEskimo.com)



36633  
ECN # 12810  
REV1: 06/02/2020  
©Copyright 2020 Ardisam, Inc.  
All Rights Reserved.  
Tous droits réservés.

## INTRODUCTION

Eskimo® Ice Shelters are engineered with the ice fisherman in mind. We make quality and durability our priority, and we appreciate your purchase of one of our ice shelters. Follow these simple instructions and your ice shelter will provide you many years of trouble-free enjoyment. Save these instructions for future reference. If for any reason you have a problem with your product, **DO NOT return to the retailer**, contact the Eskimo® customer service department at **1-800-345-6007** or **by email at info@geteskimo.com** for assistance. Congratulations on your investment in quality. Ardisam, Inc. reserves the right to change or alter this manual without notice.

## CONTENTS

Introduction .....	2
Registration .....	2
Important Safety Precautions .....	3
Parts Explosion .....	4
Assembly .....	5-7
Shelter Skin Installation .....	8-10
Setup and Take-Down Instructions .....	11
Long-Term Storage .....	11
Troubleshooting and Repair .....	11
Warranty .....	12

## REGISTRATION AND SERVICE

Record the product model number and serial number in the space provided for easy reference when ordering parts or requesting technical support. You can register your warranty online by visiting [www.GetEskimo.com](http://www.GetEskimo.com), or by mailing it to: Ardisam, Inc., P.O. Box 666, Cumberland, WI 54829. For service questions, call our customer service department at (800) 345-6007 Mondays through Fridays from 8 a.m. to 5 p.m. CT. Warranty is valid only if the completed registration card is received by Ardisam, Inc. within 30 days of purchase.

OWNERSHIP RECORDS		
Place of Purchase:		
Place of Purchase Address:		
City:	State/Province:	Zip Code/Postal Code:
Model Number:		Serial Number (found next to warning tag):
Date of Purchase:		
Notes:		

This manual may contain information for several models. Read and keep this manual for future reference. This manual contains important information on SAFETY, ASSEMBLY, OPERATION, AND MAINTENANCE. The owner must be certain that all the product information is included with the unit. This information includes the MANUAL, the REPLACEMENT PARTS and the WARRANTIES. This information must be included to make sure state laws and other laws are followed. This manual should remain with the unit even if it is resold.

## IMPORTANT SAFETY PRECAUTIONS

This shelter is made with flame resistant fabric, however it is not fireproof. The fabric will burn if left in continuous contact with any flame source. The application of any foreign substance to the shelter fabric may render the flame resistant properties ineffective.

Fuel-based heat sources burn oxygen and may emit carbon monoxide (an odorless, colorless, poison gas). Breathing carbon monoxide can cause headaches, drowsiness, nausea, dizziness, confusion and eventually death. Use caution with heaters. Be sure you have adequate fresh ventilation, including open windows and doors. All vents must be opened when using fuel-based heaters in your shelter.

- Do not use candles, matches or open flames of any kind in or near an ice shelter.
- Do not cook inside the shelter.
- Exercise extreme caution when using fuel-powered lanterns or heaters inside a tent. Use battery-operated lanterns whenever possible.
- Do not refuel lamps, heaters or stoves inside a tent.
- If you are fishing and falling asleep intermittently, turn off all lanterns and heaters.
- Do not smoke in shelter.
- Do not store flammable liquids inside of the shelter.

### WARNING

READ, UNDERSTAND AND FOLLOW ALL ASSEMBLY, SAFETY, SET-UP & USE INSTRUCTIONS PROVIDED BEFORE USE. FAILURE TO FOLLOW ALL WARNINGS AND INSTRUCTIONS COULD RESULT IN SERIOUS INJURY OR DEATH.

DO NOT USE OPEN FLAME HEATERS IN YOUR ICE SHELTER.

**WARNING:** KEEP ALL FLAME AND HEAT SOURCES AWAY FROM THIS TENT FABRIC. THIS TENT IS MADE WITH FLAME RESISTANT FABRIC. IT IS NOT FIRE PROOF. THE FABRIC WILL BURN IF LEFT IN CONTINUOUS CONTACT WITH ANY FLAME SOURCE.

DUE TO TRAFFIC ON LAKES, ICE FISHING CAN BE HAZARDOUS AT NIGHT. IF YOU CHOOSE TO FISH AT NIGHT OR IN CONDITIONS WITH POOR VISIBILITY, BE SURE TO TAKE PRECAUTIONS.

NEVER LEAVE THE ICE SHELTER UNATTENDED.

SECURELY ANCHOR THE ICE SHELTER TO THE ICE IN HIGH WIND CONDITIONS.

### WARNING

WARNING INDICATES A HAZARD WHICH, IF NOT AVOIDED, COULD RESULT IN DEATH OR SERIOUS INJURY TO PERSONNEL AND/OR PROPERTY DAMAGE.

### CAUTION

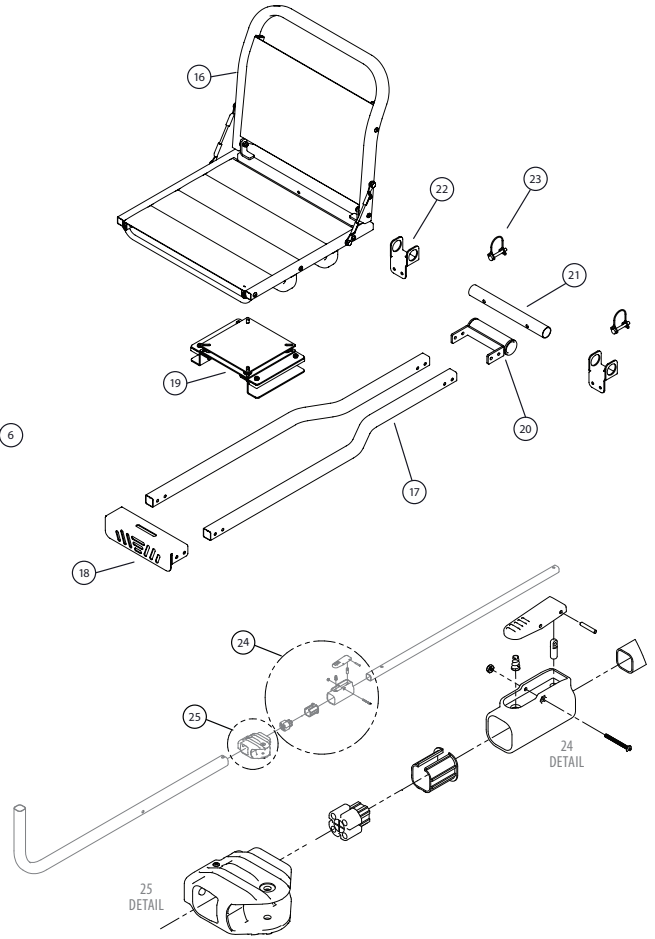
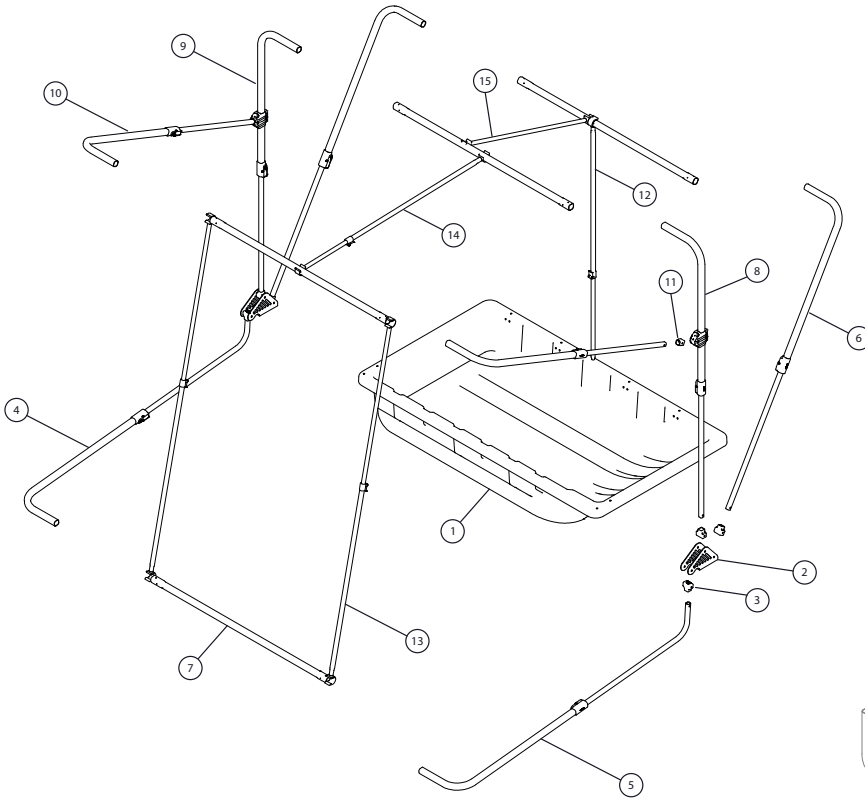
CAUTION INDICATES YOUR EQUIPMENT CAN BE DAMAGED IF THE SAFETY INSTRUCTIONS THAT FOLLOW THIS SIGNAL WORD ARE NOT OBEYED.

### IMPORTANT

INDICATES HELPFUL INFORMATION FOR PROPER ASSEMBLY, OPERATION, OR MAINTENANCE OF YOUR EQUIPMENT.

**PARTS EXPLOSION**

**Eskape™ 2600**



**PARTS LIST**

NO.	DESCRIPTION	PART NO.	QTY.
1	SLED 64 IN DRILLED	33409	1
2	HINGE LIGHTWEIGHT DBL SIDE 3-HOLE	36618	2
3	CAP 20.5MM SQUARE TUBE	27821	6
4	POLE BTM SLED REAR 62.3 IN EXT X 6.64 IN DROP	33636	1
5	POLE BTM SLED FRONT 62.3 IN EXT X 6.64 IN DROP	33635	1
6	ASSEMBLY EXT TUBE AND CNR	26539	2
7	TUBE 29.5MM SQUARE MID SECTION 64 IN SLED	33416	4
8	ASSEMBLY EXT TUBE CNR SIDE EXT ESKAPE SLED FNT	36625	1
9	ASSEMBLY EXT TUBE CNR SIDE EXT ESKAPE SLED BK	36626	1
10	ASSEMBLY EXT TUBE CNR ESKAPE DOOR 51.5 IN	36916	2
11	CAP 20.5MM SQUARE TUBE 27MM WIDE	36858	2
12	ASSEMBLY SPREADER POLE ADJUSTABLE REAR	27730	1
13	ASSEMBLY SPREADER POLE ADJUSTABLE 43.5-80 IN	36628	2
14	ASSEMBLY SPREADER POLE ADJUSTABLE 38.5-70.5 IN	27729	1
15	ASSEMBLY SPREADER POLE 35IN AL	26544	1
16	SEAT VERSA TOP	15004	2
17	FTS SEAT FRAME 34IN	26535	4
18	CAP SEAT TUBE WELDMENT	26550	2
19	ASSEMBLY SEAT SLIDE LITE	28058	2
20	ASSEMBLY BRACKET SLIDE	28066	2
21	PIPE SEAT RAIL 28MM X 15.75 IN	36624	2

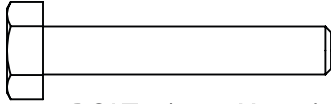
NO.	DESCRIPTION	PART NO.	QTY.
22	BRACKET SEAT RAIL	26537	4
23	LOCKPIN 1/4 X 1-3/4 ROUND HANDLE BLK	63281	4
24	KIT QRS REPLACEMENT	33581	-
25	ASSEMBLY HINGE ESKAPE QRS	36642	2

**ITEMS BELOW NOT SHOWN**

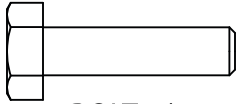
-	BOLT 1/4-20 X 1 HH GR5 ZN	69345	16
-	BOLT 1/4-20 X 1-1/2 HHCS GR5 ZN	48240B	24
-	BOLT 1/4-20 X 1-3/4 PTH	69180	2
-	BOLT 1/4-20 X 2-1/2 PTH	67430	6
-	NUT 1/4-20 NYLK GR2 ZN	67538B	46
-	WASHER 1/4 X 5/8 X 0.07 IN GR8 ZN	48261B	56
-	NUT 1/4-20 HFNLYK BLK ZN	48752B	2
-	SCREW 6 X 1/2 PTH BLK ZN	36953	16
-	EDGE TRIM 3/8 IN CUT TO 114 INCH	29228	1
-	SKIN SEWN COMPLETE 38400	34962	1
-	WINDOW HEXAGON	37546	4
-	WINDOW TRIANGLE	37547	2
-	ROPE 1/4 IN X 10 FT TWISTED BLK	27921	1
-	SEAT STRAP KIT	36960	1

## BOLT IDENTIFICATION CHART

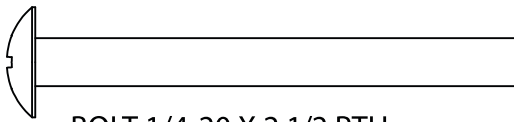
Not all bolt sizes shown are included with all shelters. Bolts shown are for size reference only. Extra hardware may be included in the parts bag.



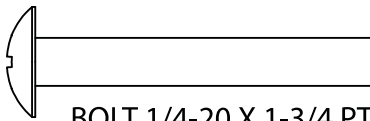
BOLT 1/4-20 X 1-1/2 HHCS GR5 ZN



BOLT 1/4-20 X 1 HH GR5 ZN

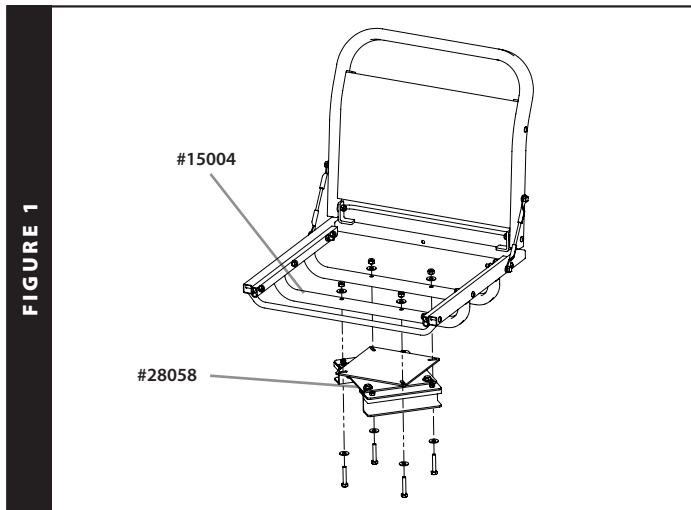


BOLT 1/4-20 X 2-1/2 PTH



BOLT 1/4-20 X 1-3/4 PTH

## SEATING ASSEMBLY



- 1** Assemble part **#28058** onto **#15004** using (4) 1-1/2 IN bolts, (4) nuts, and (8) washers. Repeat for other set of **#28058** and **#15004** components.

## ASSEMBLY INSTRUCTIONS

### TOOLS NEEDED:

- (2) 7/16" wrenches and/or socket driver
- Cordless drill with #1 Philips head bit

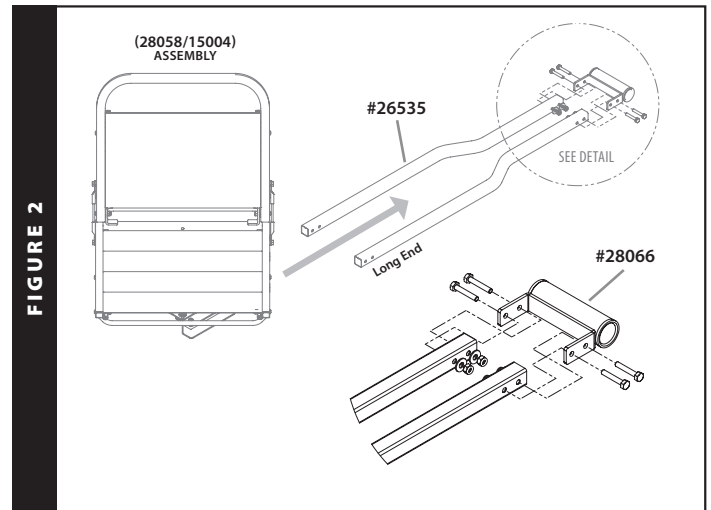


### IMPORTANT ASSEMBLY TIP

**DO NOT FULLY TIGHTEN ANY NUT AND BOLT COMBINATION UNTIL INSTRUCTED IN LATER NOTES. THIS WILL HELP WITH HOLE ALIGNMENT FOR ALL PARTS.**

### ASSEMBLY TIPS:

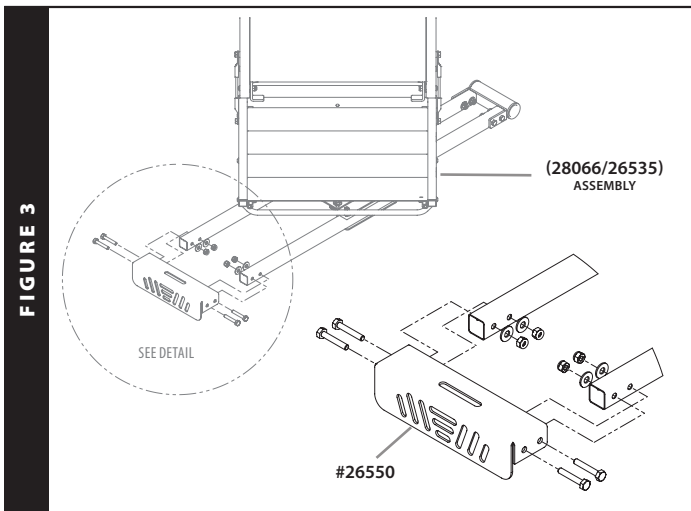
- This ice shelter should be assembled in an indoor setting due to the time and length of assembly. Identify and familiarize yourself with all parts and hardware before assembly. Allow 1-2 hours for assembly.
- The use of a cordless drill with socket will make assembly of your ice shelter much quicker. Be sure to set the drill speed on low so you do not over tighten any nut and bolt combination.
- If a tracking kit is purchased with the shelter it should be mounted to the sled before assembly of the ice shelter for convenience.



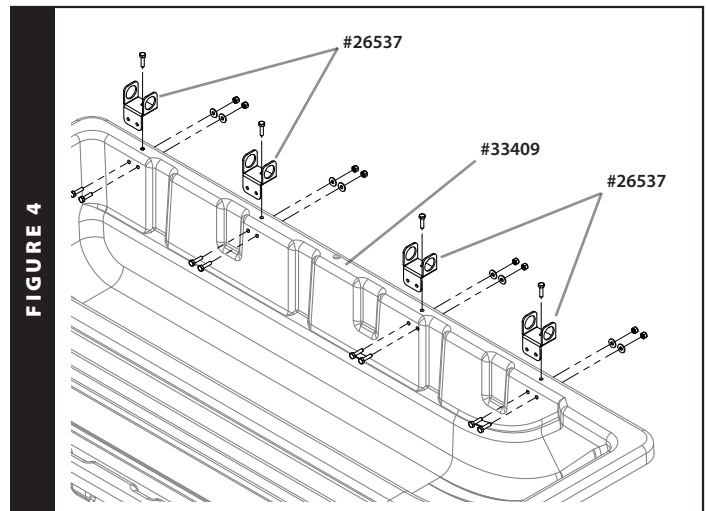
- 2** (A) Assemble **#28066** to (2) **#26535** using (4) 1-1/2 IN bolts, (4) nuts, and (4) washers.

**NOTE:** The long end of **#26535** should face away from **#28066**.

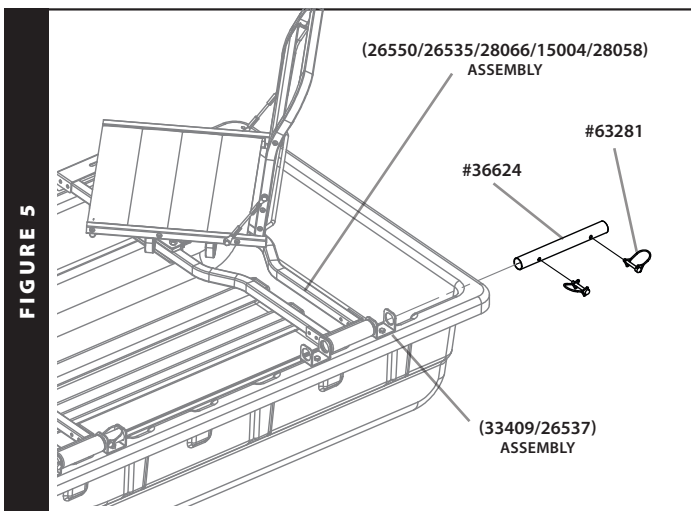
(B) Slide **(28058/15004)** assembly onto **(28066/ 26535)** assembly as shown.



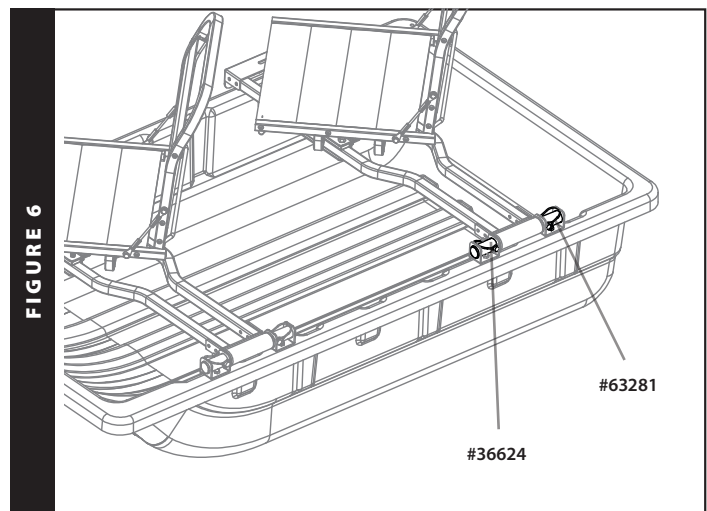
- 3** (A) Assemble **#26550** onto (28066/26535) assembly using (4) 1-½ IN bolts, (4) nuts, and (4) washers.  
(B) Repeat steps 2a, 2b, and 3a for assembly of remaining seating components as instructed above.



- 4** Assemble part **#26537** to **#33409** using (3) 1 IN bolts, (3) washers, and (3) nuts at the locations shown in **Figure 4**. Repeat this step for the remaining **#26537** components.

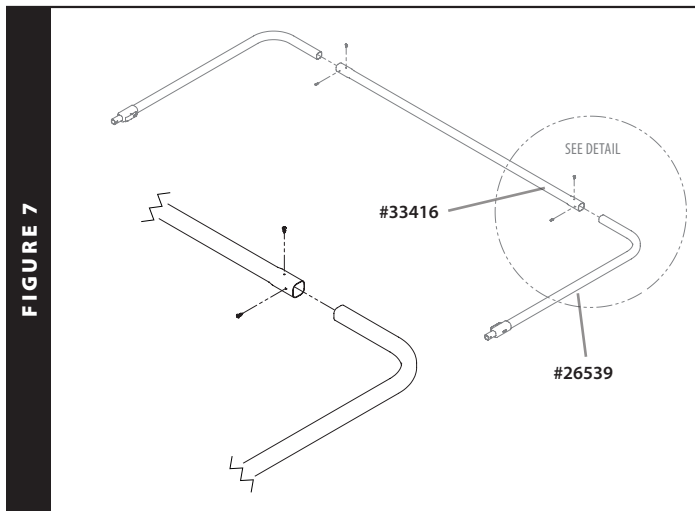


- 5 a** Assemble the complete seat assembly from step 3 (26550/26535/28066/15004/28058) to the (33409/26537) assembly using (1) **#36624** and (2) **#63281** ¼ IN Lock Pins as shown in **Figure 5**. Repeat this step for the remaining seat assembly and **#33726** components.

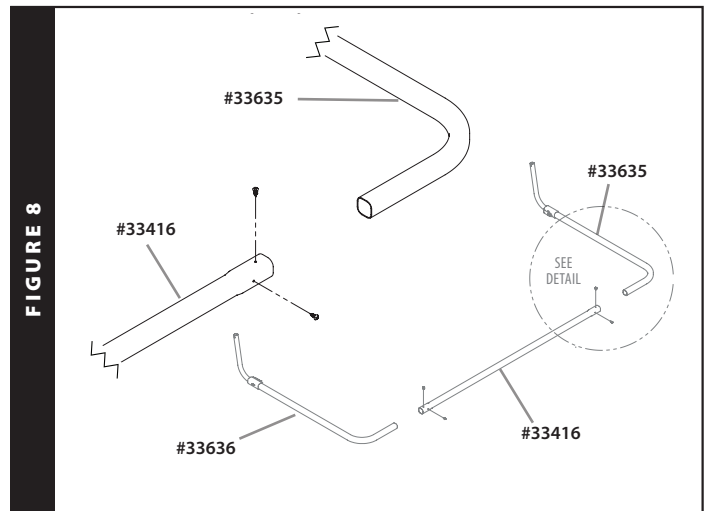


- 5 b** See **Figure 6** for completed view of Step 5.

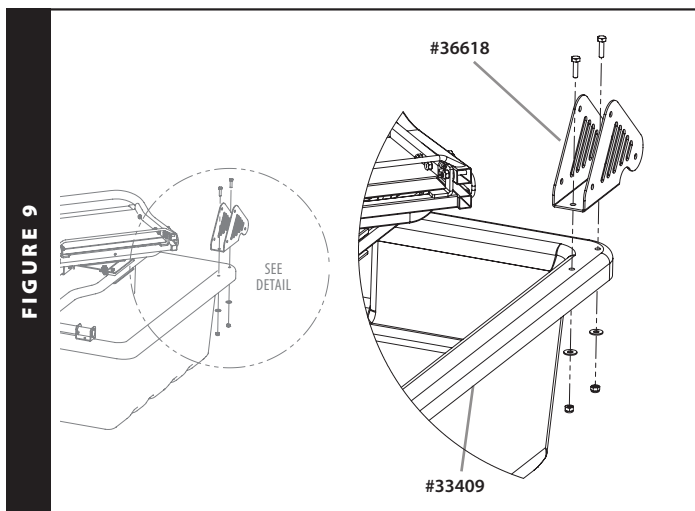
## ALUMINUM FRAME ASSEMBLY



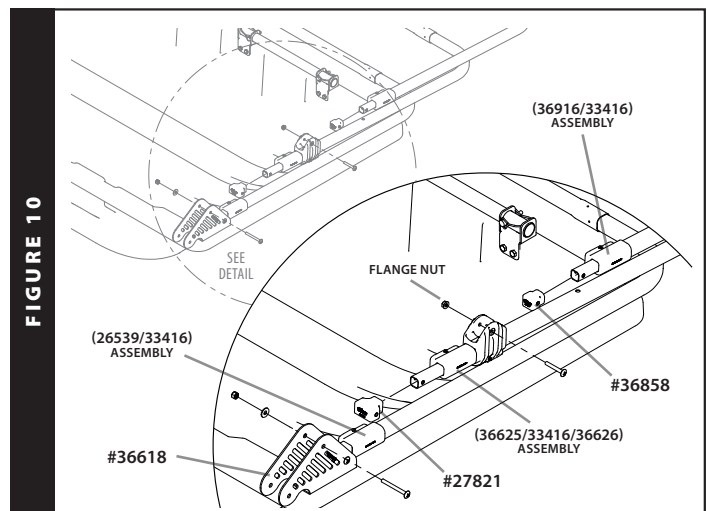
- 6** Assemble (2) **#26539** assemblies to **#33416** with the included ½ IN sheet metal screws, (2) screws per side at pre-drilled locations on #33416. Repeat this step for (2) **#36916** assemblies to #33416, and **(36625/36626)** assemblies to #33416. There should be (3) total loop pole finished assemblies when this step is complete.



- 7** Assemble **#33636** and **#33635** to **#33416** with the included ½ IN sheet metal screws, (2) screws per side at pre-drilled locations on #33416.



- 8** Assemble **#36618** to **#33409** using (2) 1 IN bolts, (2) washers, and (2) nuts. Repeat step for remaining #36618 component.

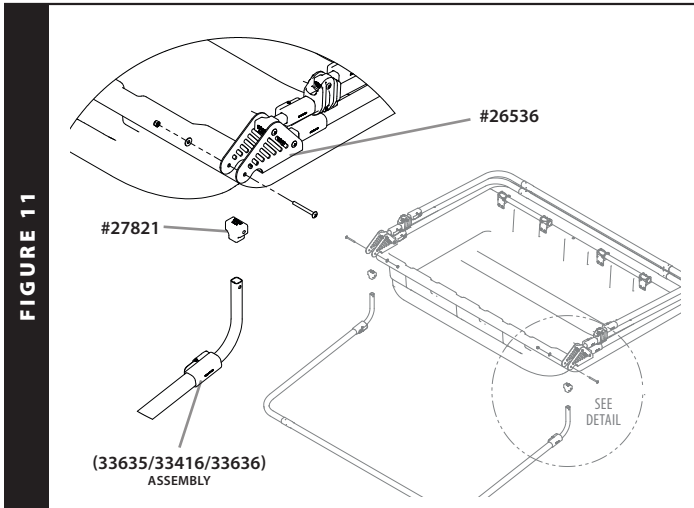


- 9** (A) Assemble **(26539/33416)** assembly to **(36618)** using (2) 2-½ IN Philips drive bolts, (2) washers, and (2) nuts at the back bottom hole on #36618. (B) Repeat above step to assemble **(36625/36626/33416)** assembly (using middle top hole in #36618).

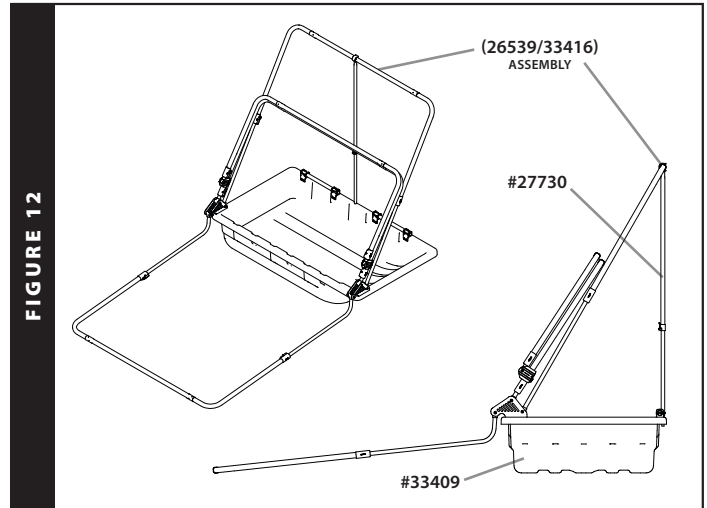
**NOTE:** #36642 push button should be face down.

(C) Assemble **(36916/33416)** to **#36642** hinge on (36625/33416/36626) using (2) **#36858**, (2) 1-¾ IN Philips drive bolts, (2) washers, and (2) flange nuts.

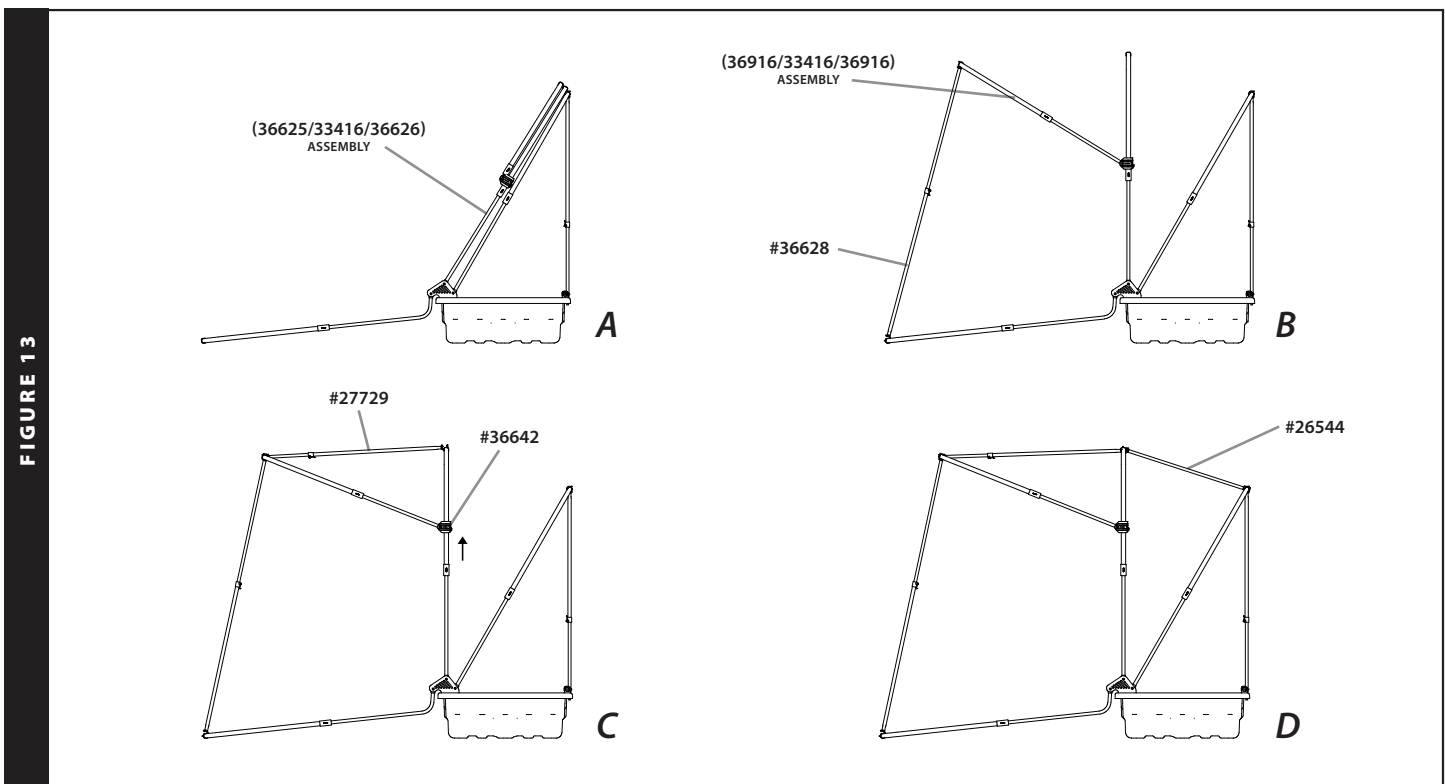
## SPREADER POLE ATTACHMENT / SKIN ASSEMBLY



**10** Assemble **(33635/33416/33636)** to **#27821** and **#26536** using (2) 2-½ IN Philips drive bolts, (2) washers, and (2) nuts.

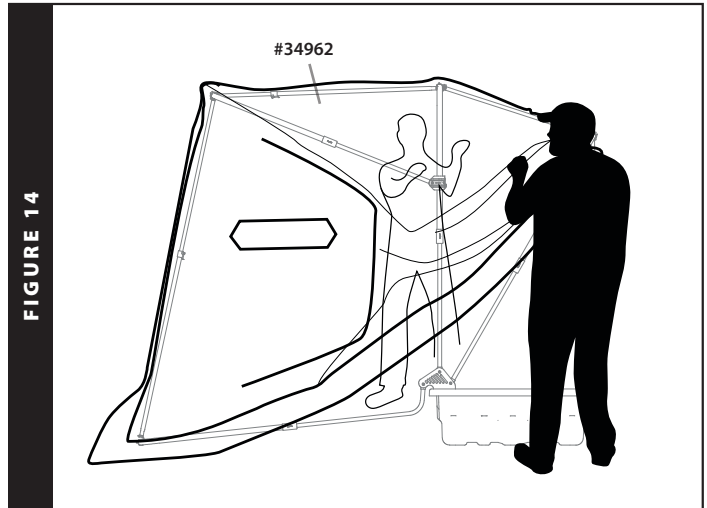


**11** (A) Attach **#27730** to **#33409** and **(26539/33416)** as shown in **Figure 12**. Be sure to fully extend **(26539/33416)** assembly until locked prior to attaching **#27730**.  
(B) Adjust height of **#27730** until the **(26539/33416)** assembly is tangent to the edge of **#33409** as shown in **Figure 12**.





Reference  
**Figure 13**  
on previous page  
for spreader pole  
assembly sequence.



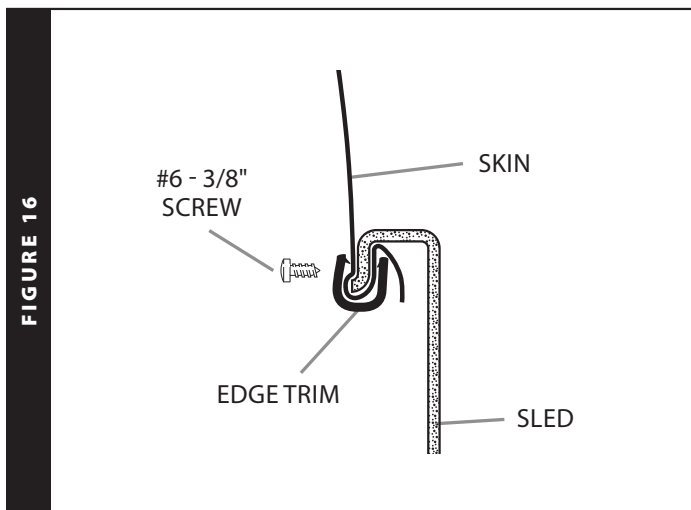
- 13** (A) With all spreader poles in place, begin working the **#34962** skin assembly over the aluminum frame work.  
(B) There are hook-and-loop connections sewn on the inside of the skin to attach/locate each aluminum frame assembly. Secure each connection as snug as possible. This will determine how tight the skin will be once attached to the **#33409** sled.

Visit [GetEskimo.com](http://GetEskimo.com)  
for videos and  
helpful tips on skin  
attachment and more.

- 12** (A) Start by extending the **(36625/33416/36626)** assembly.  
(B) Next extend the **(36916/33416/36916)** assembly, and attach the (2) **#36628** front spreader poles to the extended pole assembly and the bottom pole assembly (spreader poles should be placed as far to each corner as possible without being in the radius).  
(C) Next push the **#36642** assemblies up until there is a click, setting them in the "up" position. Add the **#27729** spreader pole and appropriately adjust the length to fit while maintaining the vertical position of the **(36625/33416/36626)** pole assembly.  
(D) Finally add the **#26544** spreader pole as shown.
- 14** All spreader poles should be adjusted with hook and loop skin attachments now in place. Each adjustable spreader pole should keep poles in desired location as shown in **Figure 13**. Make any adjustments needed to fit the skin. There should be equal skin tension throughout, and no spreader poles creating more tension than needed.

**ASSEMBLY TIPS FOR STEPS 15 & 16:**

- It is recommended to secure the entire back of the skin before working the edge trim around the corners of each sled. This will keep the skin even and prevent any more or less fabric being pulled from one side.
- The edge trim attachment can be re-done until satisfactory results are achieved. This is recommended, as it will increase the performance of the shelter.
- Once the edge trim is satisfactory, remove all spreader poles and ensure the skin is self-supporting correctly, before permanently fixing the edge trim with screws.
- We recommend the use of a cordless drill during **STEP 16**. The rubberized edge trim has a metal core to provide additional structure, but is also sometimes difficult to screw through. It is important to place screws higher on the width of the edge trim to make sure full contact is made with the sled.

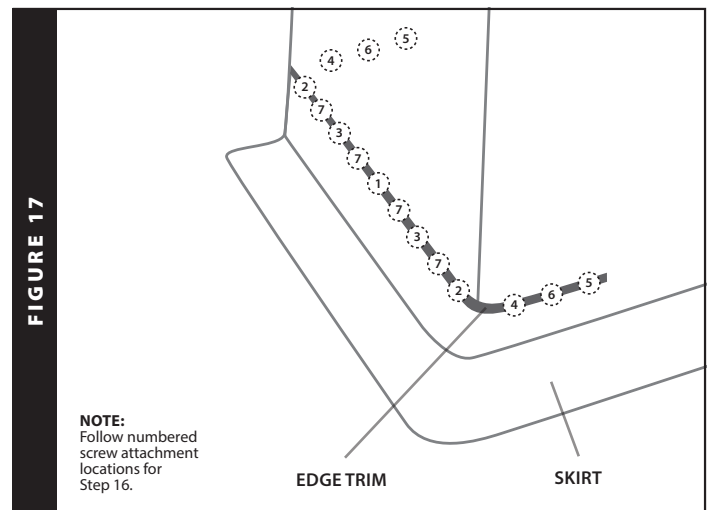


**15** (A) Shorten the front (#36628) spreader poles by 1 inch, still leaving them attached. Also shorten the back (#27730) spreader pole by 1 inch. This will ensure there is appropriate tension on the skin while in use, without the need for spreader poles. The skin and frame should be self-standing without spreaders once the edge trim is attached.

(B) Locate the 9'6" rubber edge trim included in the parts box. Find the center of the length of edge trim. This will be the starting point during the assembly of the edge trim to the skin.

(C) Move to the rear of the shelter and locate the center of the #33409 sled. This will be the point where the edge trim will be attached first.

(D) Pull down on the skin at the center-back of the skin, being sure to apply tension below the point of attachment. While maintaining tension, push the edge trim onto the sled lip and begin working it around the sled. Maintain tension in front of the edge trim being pushed on, as this will keep the skin tight and free of wrinkles.



**16** Secure the edge trim to the back of the #33409 sled using the included #6 X 1/2 IN Philips drive screws.

Start with a screw center of sled back, then one at each end corner, then split the difference between the corners and middle. Next, place screws at the corner on each side, and one at each end of the edge trim. Finally, split the difference between corner and end on the side, and place remaining screws equally spaced between existing screws on the back. See **Figure 17**.

**NOTE:** Make sure the skin is tight and even before installing the edge trim screws. It will be easier to make adjustments before all the screws have been installed.

## SETUP/TAKEDOWN INSTRUCTIONS

**1** (A) To set up your new Eskimo flip shelter make sure the skin is not tangled or pinched in anyway as this could prevent the framework from being able to extend fully.

(B) Starting at the front side of the shelter, locate the bottom framework, and slowly extend this assembly out until an audible “click” is heard, notifying you the framework is locked in the extended position.

**2** (A) While pulling extended bottom pole over your head, reach for next poles and extend them.

(B) Repeat step 2a until the remaining framework assemblies are fully extended and the shelter is deployed.

**TIP:** At this point the shelter is usable as the spreader poles are not necessary when the skin has been properly attached as described earlier in this manual. Spreader poles are to be used in inclement weather conditions.

**WIND BLOCK POSITION:** The rear (#27730) adjustable spreader pole can be used to create a partially open shelter position that works well in blocking “light winds” on otherwise nice fishing days. See Figure 18.

**3** (A) Takedown requires the same process used to deploy the shelter except in reverse.

(B) Be sure to close all window covers to prevent tearing or tangling of this excess fabric with the framework.

**4** (A) Be sure to carefully fold all loose shelter skin inward to prevent any tearing of the fabric. Damage to the skin should be expected if the skin is not properly stowed prior to travel.

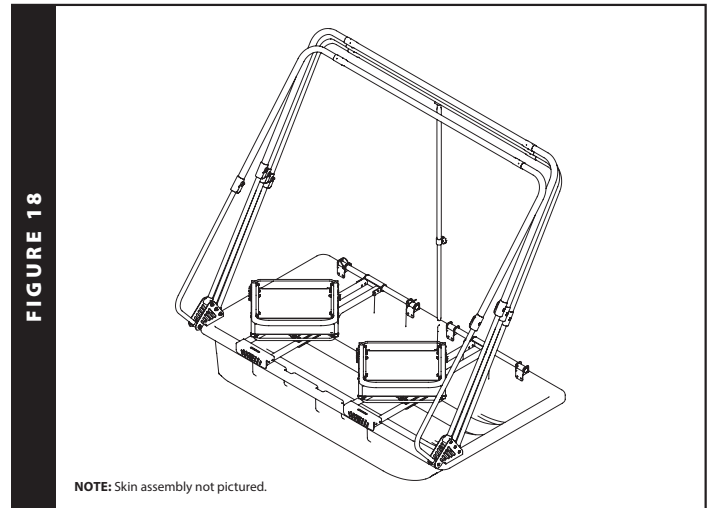
(B) Using the framework you should be able to “tuck” each skin section in between the pole assemblies, locking it in place, and safely containing the skin within the sled.

**TIP:** When hauling large amounts of gear, it will be easier to collapse the sled and correctly pack the skin first before all gear is repacked into the sled. With increased use, each user will develop their own way of packing that is easiest for that person.

### OPTIONAL IN-SKIRT ANCHOR GROMMETS:

This shelter model also includes in-skirt grommets to aid in conditions where little snow is present on the ice. An ice anchor can be installed in each corner of the shelter to keep the skirt flat to the ice. Sealing out the elements.

Ice Anchor 2-Packs (#69138) are sold separately and are available online at [GetEskimo.com](http://GetEskimo.com).



### LONG TERM STORAGE TIPS

Always make sure your ice shelter is completely dry before storing for long periods of time. Storing your ice shelter when damp or wet may cause mold and mildew damage.

- Remove skin from ice shelter sled and frame.
- Clean all salt, moisture and debris from your shelter skin, sled and poles. Wipe down poles with a wet rag.
- Store skin, poles and sled in a cool, dry place away from rodents.

### SERVICE, TROUBLESHOOTING, AND REPAIR

#### Service Information

At Ardisam, we build quality and durability into the design of our products; but no amount of careful design by us, and careful maintenance by you, can guarantee a repair-free life for your unit.

We will always be glad to answer any questions you have, or help you find suitable assistance.

#### ORDERING REPAIR PARTS

Parts may be obtained from the store where your auger was purchased or by calling Ardisam customer service at the number listed below. To order from the factory, call, e-mail, or order online at [www.GetEskimo.com](http://www.GetEskimo.com):

Eskimo®  
A Division of Ardisam, Inc.  
**1-800-345-6007**  
**E-mail: [info@geteskimo.com](mailto:info@geteskimo.com)**

Please include the part numbers, part description, quantity, model number and serial number.

# Eskimo®

## ESKAPE™ 2600 Warranty Terms and Conditions

### PRODUCT WARRANTY: 1-YEAR LIMITED WARRANTY

Ardisam, Inc., warrants this Eskimo® Eskape™ 2600 under a one-year limited warranty to be free from defects in materials or workmanship or both for a period not exceeding twelve consecutive months from the date of original purchase by the first retail consumer or commercial end user. "Consumer use" means personal recreational use by a retail consumer. "Commercial use" or "commercial application" means all other uses, including use for commercial, income producing or rental purposes. Once a product has experienced commercial use, it shall thereafter be considered as a commercial use product for purposes of this warranty. This warranty does not cover cracked windows, tent tears, or bent poles due to use in high wind, inclement weather conditions, unattended use or uses other than those listed in the owner's manual. This warranty applies to the original owner that provides a proof of purchase of the shelter. The warranty is not transferable. The warranty period begins on the date of purchase by the first retail consumer or commercial end user, and continues for the twelve month consecutive period thereafter. Any unit used in a commercial application is covered for a period of 90 days after purchase. For the warranty to be valid, the product must be registered online at [www.GetEskimo.com](http://www.GetEskimo.com), or the warranty card must be filled out and received by Ardisam, Inc., within 30 days of purchase. Ardisam, Inc. shall not be obligated to ship any repair or replacement product to any location outside of the United States of America or Canada.

**For replacement parts, phone 800-345-6007 or go online to [www.GetEskimo.com](http://www.GetEskimo.com).**

*\*This warranty applies only to products which have not been subjected to negligent use, misuse, uses other than those indicated in the product's owner's manual, alteration, accident, use of unauthorized parts, failure to perform periodic maintenance as specified in product's owner's manual, normal wear and tear, use of unauthorized parts or repairs performed at non-authorized service centers. There is no other expressed warranty. Implied warranties, including those of merchantability and fitness for a particular purpose, are limited to one year from purchase, or to the extent permitted by law. All other implied warranties are excluded. Liability for incidental or consequential damages are excluded to the extent exclusion is permitted by law. Ardisam, Inc. does not assume, and does not authorize any other person to assume for us, any liability in connection with the sale of our products. To obtain warranty service, you must have prior approval by calling our customer service department at 1-800-345-6007. If you choose to ship your product to Ardisam for warranty repair, you must first have prior approval from Ardisam by calling our customer service department for a return material authorization number (RMA#). Under these circumstances, all items must be shipped prepaid. Ardisam will at no charge, repair or replace, at their discretion, any defective part which satisfies all conditions stated above. Ardisam retains the right to change models, specifications and price without notice. Ardisam, Inc. shall not be obligated to ship any repair or replacement product to any location outside of the United States of America or Canada.*

#### ESKIMO®

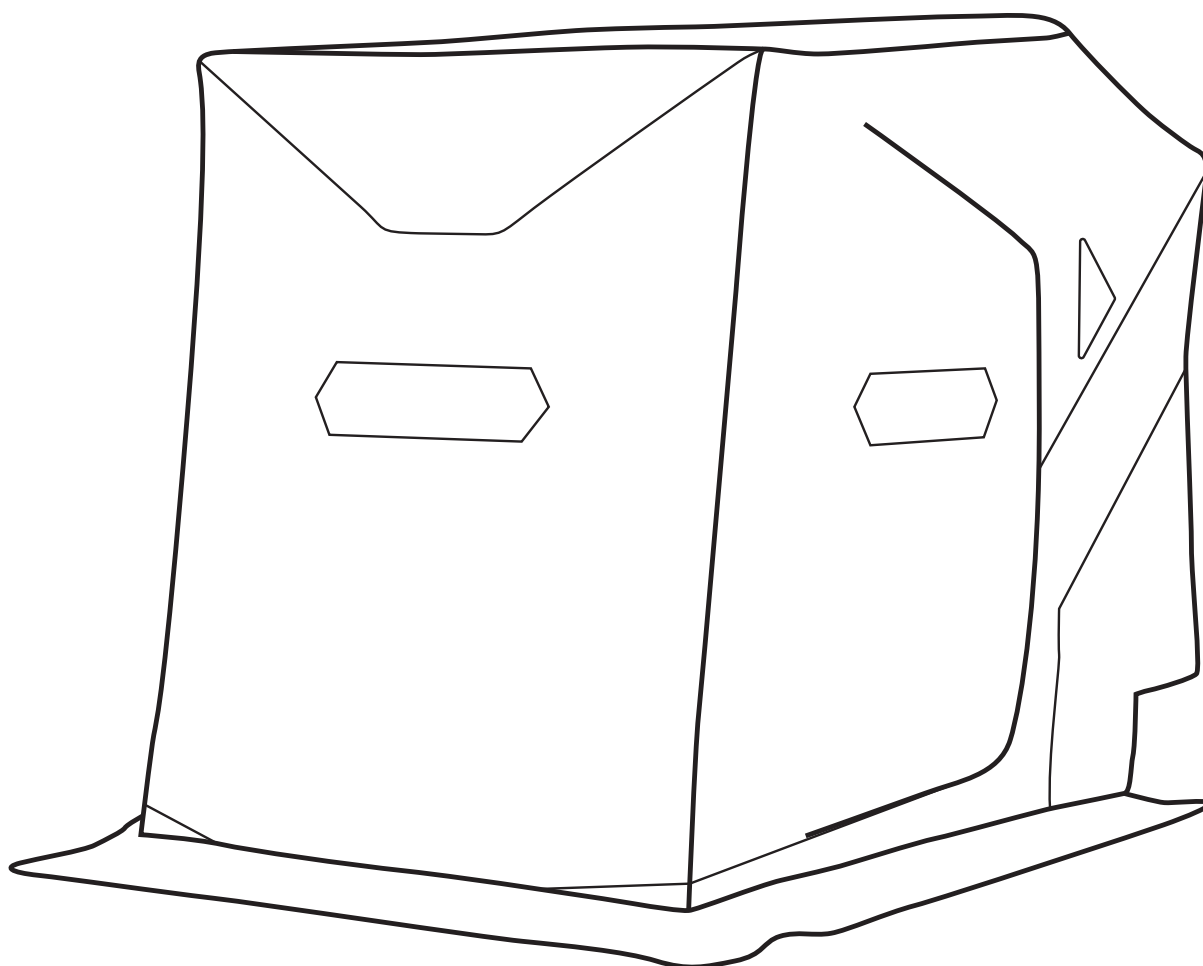
A Division of Ardisam, Inc.  
1160 Eighth Avenue; P.O. Box 666  
Cumberland, Wisconsin 54829  
1-800-345-6007 · Fax (715) 822-4180  
E-mail: [info@geteskimo.com](mailto:info@geteskimo.com)

**Eskimo**<sup>®</sup>  
ICE FISHING GEAR

Manuel de l'utilisateur

**Eskape™ 2600**  
Abri à traîneau basculant

FRANÇAIS



**MODÈLE N° 38400**

Pièces détachées en ligne à  
[www.GetEskimo.com](http://www.GetEskimo.com)



36633  
ECN # 12810  
REV1: 06/02/2020  
©Copyright 2020 Ardisam, Inc.  
All Rights Reserved.  
Tous droits réservés.

## INTRODUCTION

Les abris Eskimo® sont conçus spécifiquement à l'intention du pêcheur sur glace. La qualité et la durabilité sont notre priorité et nous vous sommes reconnaissants d'avoir acheté l'un de nos abris pour pêche sur glace. Veiller à suivre ces instructions et l'abri pour pêche sur glace offrira de nombreuses années de service sans problème. Conserver ces instructions pour toute référence ultérieure. En cas de quelconques problèmes avec le produit, **NE PAS le renvoyer au revendeur**, communiquer avec le service après-vente Eskimo® au **1-800-345-6007 ou par courriel à info@geteskimo.com** pour assistance. Nous vous félicitons pour votre investissement dans la qualité. Ardisam, Inc se réserve le droit de changer ou modifier ce manuel sans préavis.

## SOMMAIRE

Introduction .....	14
Enregistrement.....	14
Mesures de précaution importantes.....	15
Vue en éclaté.....	16
Assemblage.....	17-19
Pose de la toile de l'abri .....	20-22
Déploiement et repliage de l'abri.....	23
Entreposage à long terme.....	23
Dépannage et réparation.....	23
Garantie .....	24

## ENREGISTREMENT ET SERVICE APRÈS-VENTE

Consigner le numéro de modèle et le numéro de série du produit dans l'espace prévu pour y accéder facilement lors des commandes de pièces détachées ou des demandes d'assistance technique. L'enregistrement de la garantie peut se faire en ligne à [www.GetEskimo.com](http://www.GetEskimo.com) ou par courrier à : Ardisam, Inc., P.O. Box 666, Cumberland, WI 54829, États-Unis. Pour toute question, appeler notre service après-vente au (800) 345-6007 du lundi au vendredi de 8h00 à 17h00 HNC. La garantie est valable uniquement si la carte d'enregistrement dûment remplie est reçue par Ardisam, Inc. dans les 30 jours après l'achat.

RENSEIGNEMENTS SUR LE PROPRIÉTAIRE		
Lieu d'achat :		
Adresse du lieu d'achat :		
Ville :	État/Province :	Code postal :
Numéro de modèle :		Numéro de série (à côté de l'étiquette de mise en garde) :
Date d'achat :		
Notes :		

**Le présent manuel peut contenir des informations concernant plusieurs modèles. Lire ce manuel et le conserver pour toute consultation ultérieure. Ce manuel contient des renseignements importants sur la SÉCURITÉ, l'ASSEMBLAGE, l'UTILISATION et l'ENTRETIEN. Le client doit s'assurer que toute la documentation sur le produit est fournie avec l'appareil. Cette documentation comprend le MANUEL, la LISTE DES PIÈCES DE RECHANGE et les GARANTIES. Cette documentation doit être fournie en vertu de la réglementation en vigueur. Le présent manuel doit rester avec la machine, même lorsqu'elle est revendue.**

## MESURES DE PRÉCAUTION IMPORTANTES

Cet abri est fabriqué en toile résistant aux flammes, toutefois il n'est pas incombustible. La toile finit par brûler en cas de contact continu avec une flamme. L'application de toute substance étrangère sur la toile de l'abri peut dégrader ses propriétés ignifuges.

Les sources de chaleur à base de combustible brûlent de l'oxygène et peuvent dégager du monoxyde de carbone (un gaz toxique inodore et incolore). L'inhalation de monoxyde de carbone peut provoquer des maux de tête, la somnolence, la nausée, l'étourdissement, la confusion, voire la mort. Faire preuve de précaution avec les appareils de chauffage. Veiller à avoir une aération suffisante, notamment en ouvrant les portes et les fenêtres. Tous les événements doivent être ouverts lors de l'utilisation d'appareils de chauffage à combustible dans l'abri.

- Ne pas utiliser de bougies, allumettes ou autres flammes nues à l'intérieur ou à proximité d'un abri pour pêche sur glace.
- Ne pas cuisiner à l'intérieur de l'abri.
- Faire preuve de beaucoup de précaution lors de l'utilisation de lanternes ou appareils de chauffage à combustible à l'intérieur d'une tente. Autant que possible, utiliser des lanternes à piles.
- Ne pas remplir les lampes, appareils de chauffage ou réchauds de combustible à l'intérieur d'une tente.
- Lorsqu'on pêche et qu'on s'endort occasionnellement, les lanternes et appareils de chauffage doivent tous être éteints.
- Ne pas fumer dans l'abri.
- Ne pas entreposer de liquides inflammables à l'intérieur de l'abri.

### AVERTISSEMENT

LIRE, COMPRENDRE ET SUIVRE TOUTES LES INSTRUCTIONS D'ASSEMBLAGE, DE SÉCURITÉ, DE MISE EN SERVICE ET D'UTILISATION FOURNIES AVANT UTILISATION. POUR ÉCARTER LES RISQUES DE BLESSURE GRAVE OU DE MORT, VEILLER À RESPECTER TOUTES LES INSTRUCTIONS ET MISES EN GARDE.

NE PAS UTILISER DE RÉCHAUD À FLAMME NUE DANS L'ABRI.

**AVERTISSEMENT :** TENIR TOUTES LES FLAMMES ET SOURCES DE CHALEUR À L'ÉCART DE LA TOILE DE CET ABRI. CETTE TENTE EST FABRIQUÉE EN TOILE RÉSISTANT AUX FLAMMES. ELLE N'EST PAS INCOMBUSTIBLE. LA TOILE FINIT PAR BRÛLER EN CAS DE CONTACT CONTINU AVEC UNE FLAMME.

EN RAISON DE LA CIRCULATION SUR LES LACS, LA PÊCHE SUR GLACE DE NUIT PEUT ÊTRE DANGEREUSE. POUR PÊCHER LA NUIT OU PAR FAIBLE VISIBILITÉ, PRENDRE LES MESURES DE PRÉCAUTION NÉCESSAIRES.

NE JAMAIS LAISSER L'ABRI POUR PÊCHE SUR GLACE SANS SURVEILLANCE.

ANCRER SOLIDEMENT L'ABRI À LA GLACE EN CAS DE GRAND VENT.

### AVERTISSEMENT

AVERTISSEMENT INDIQUE UN DANGER QUI, S'IL N'EST PAS ÉVITÉ, PEUT PROVOQUER LA MORT OU DES BLESSURES CORPORELLES ET/OU DES DÉGÂTS MATÉRIELS GRAVES.

### ATTENTION

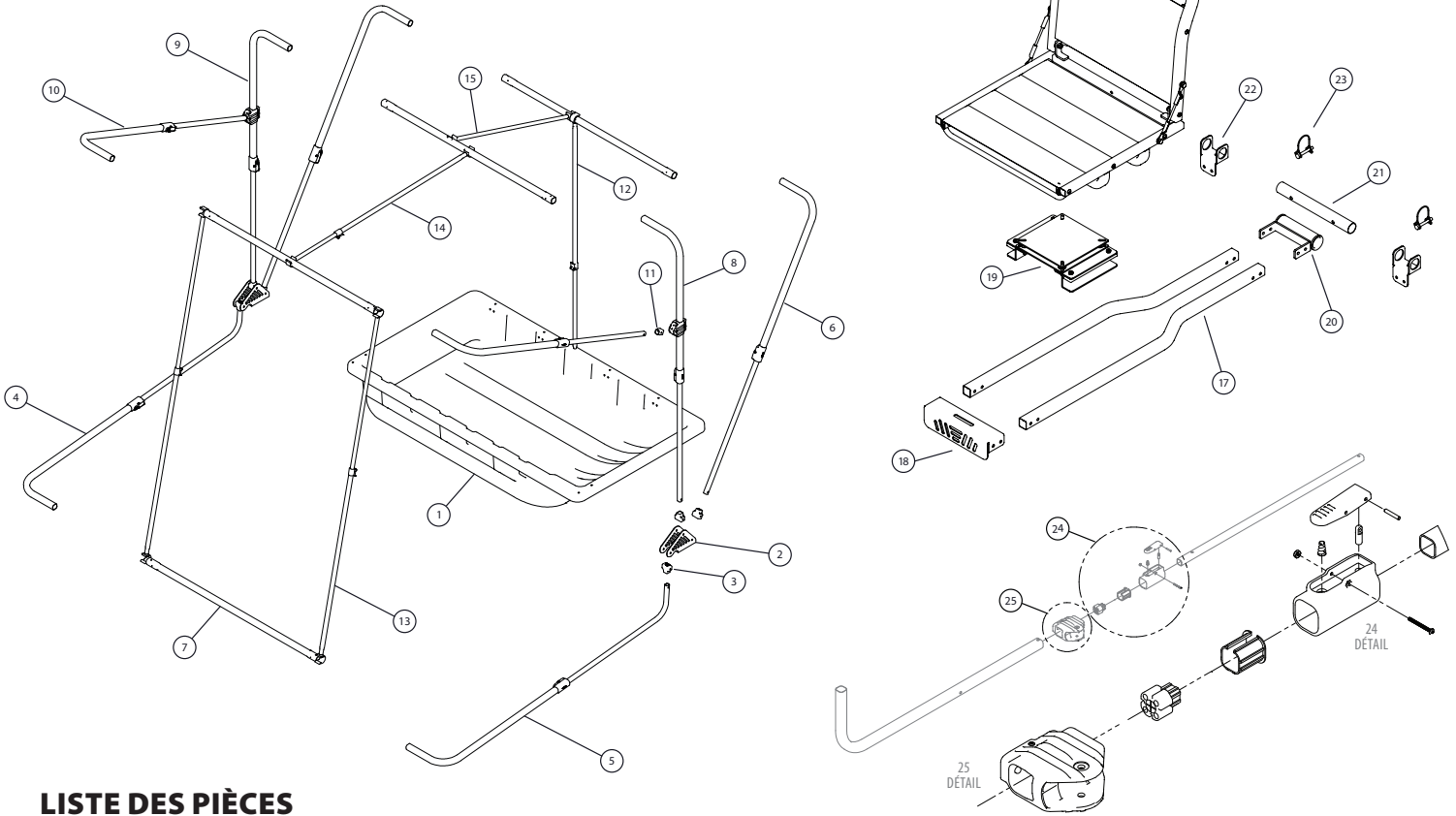
ATTENTION INDIQUE QUE LE MATÉRIEL PEUT ÊTRE ENDOMMAGÉ SI LES INSTRUCTIONS DE SÉCURITÉ QUI SUIVENT CE MOT-INDICATEUR NE SONT PAS RESPECTÉES.

### IMPORTANT

SIGNALE DES INFORMATIONS UTILES CONCERNANT L'ASSEMBLAGE, L'UTILISATION OU L'ENTRETIEN DU MATÉRIEL.

## VUE EN ÉCLATÉ

### Eskape™ 2600



## Liste des pièces

N° RÉF.	DESCRIPTION	PART NO.	QTÉ
1	TRAÎNEAU 64 POUCHES PERCÉ	33409	1
2	CHARNIÈRE DOUBLE FACE LÉGÈRE (3 TROUS)	36618	2
3	CAPUCHON TUBE CARRÉ DE 20,5 MM	27821	6
4	TUBE DE RALLONGE ARRIÈRE DE 62,3 PO X 6,64 PO	33636	1
5	TUBE D'EXTENSION AVANT DE 62,3 PO X 6,64 PO	33635	1
6	TUBE DE RALLONGE ET CONNECTEUR	26539	2
7	TUBE CARRÉ 29,5 MM MID 64 EN TRAÎNEAU	33416	4
8	TUBE D'EXTENSION COIN COIN ESKAPE TRAÎNEAU AVANT	36625	1
9	TUBE D'EXTENSION D'ANGLE ESKAPE TRAÎNEAU ARRIÈRE	36626	1
10	TUBE D'EXTENSION DE PORTE D'ANGLE ESKAPE 51,5 PO	36916	2
11	CAPUCHON TUBE CARRÉ DE 20,5 MM (27 MM DE LARGE)	36858	2
12	BARRE D'ÉCARTEMENT RÉGLABLE ARRIÈRE	27730	1
13	BARRE D'ÉCARTEMENT RÉGLABLE (43,5-80 PO)	36628	2
14	BARRE D'ÉCARTEMENT RÉGLABLE (38,5-70,5 PO)	27729	1
15	BARRE D'ÉCARTEMENT 89 CM (35 PO) AL	26544	1
16	SIÈGE VERSA	15004	2
17	ARMATURE DE SIÈGE FTS 86 CM (34 PO)	26535	4
18	CHAPEAU TUBE DE SIÈGE MÉCANOSOUDE	26550	2
19	COULISSE DE SIÈGE LÉGÈRE	28058	2
20	ÉTRIER DE COULISSE	28066	2
21	TUBE RAIL DE SIÈGE 28 MM X 40 CM (15,75 PO)	36624	2

N° RÉF.	DESCRIPTION	PART NO.	QTÉ
22	SUPPORT DE RAIL DE SIÈGE	26537	4
23	GOUILLE D'ARRÊT 1/4 X 1-3/4 ÉTRIER ROND NOIR	63281	4
24	NÉCESSAIRE CONNECTEUR RAPIDE DE RECHANGE	33581	-
25	CHARNIÈRE DE MONTAGE ESKAPE QRS	36642	2

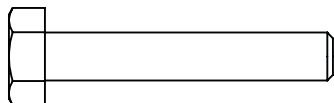
### PIÈCES DÉTACHÉES NON REPRÉSENTÉES

-	VIS 1/4-20 X 1 HH GR5 ZN	69345	16
-	BOULON 1/4-20 X 1-1/2 HHCS GR5 ZN	48240B	24
-	BOULON 1/4-20 X 1-3/4 PTH	69180	2
-	BOULON 1/4-20 X 2-1/2 PTH	67430	6
-	ÉCROU 1/4-20 NYLK GR2 ZN	67538B	46
-	RONDELLE 1/4 X 5/8 X 0.07 IN GR8 ZN	48261B	56
-	ÉCROU 1/4-20 HFNLYK BLK ZN	48752B	2
-	VIS 6 X 1/2 PTH BLK ZN	36953	16
-	GARNITURE DE BORDURE 3/8 PO COUPÉE À 290 CM (114 PO)	29228	1
-	TOILE COUSUE COMPLÈTE 38400	34962	1
-	FENÊTRE HEXAGONALE	37546	4
-	FENÊTRE TRIANGULAIRE	37547	2
-	CORDE TORDUE 1/4 PO X 10 PI	27921	1
-	KIT DE SANGLE DE SIÈGE	36960	1

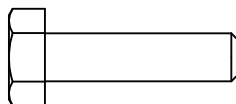


## SCHÉMA D'IDENTIFICATION DES VIS

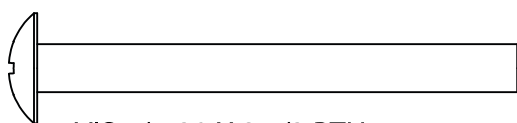
Toutes les tailles de vis ne sont pas comprises avec tous les abris. Vis représentées à des fins de référence de taille seulement. Le sachet de pièces peut contenir de la visserie supplémentaire.



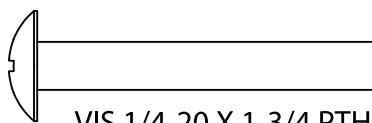
VIS 1/4-20 X 1-1/2 HHCS GR5 ZN



VIS 1/4-20 X 1 HH GR5 ZN

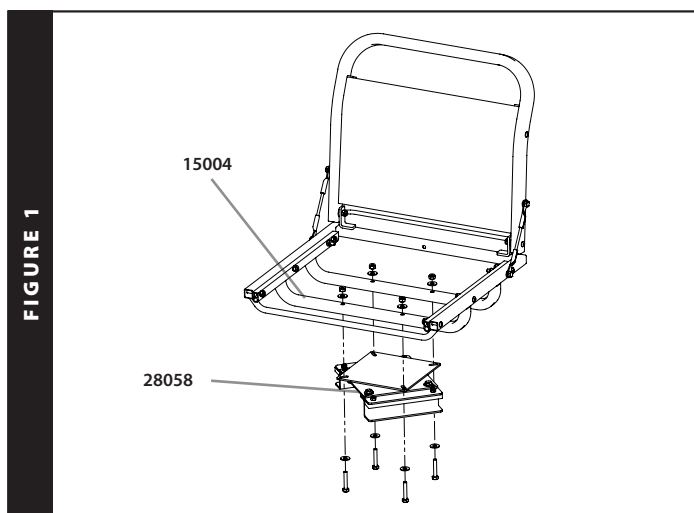


VIS 1/4-20 X 2-1/2 PTH



VIS 1/4-20 X 1-3/4 PTH

## ASSEMBLAGE DU SIÈGE



- 1** Monter la pièce **28058** sur **15004** à l'aide de quatre (4) vis de 1-1/2 po, quatre (4) écrous et huit (8) rondelles. Répéter pour l'autre jeu de pièces 28058 et 15004.

## INSTRUCTIONS D'ASSEMBLAGE

### OUTILS NÉCESSAIRES

- (2) Clés ou douilles de 7/16 po
- Perceuse sans fil avec embout Philips n°1

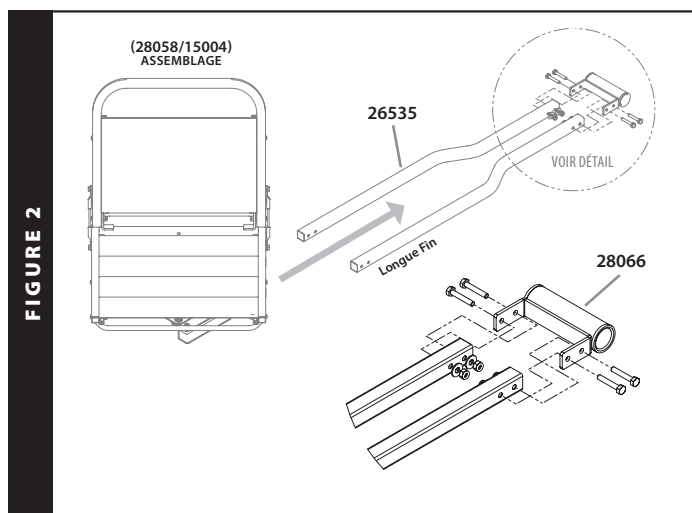


### CONSEIL D'ASSEMBLAGE IMPORTANT

**NE PAS SERRER COMPLÈTEMENT LES ENSEMBLES VIS ET ÉCROU AVANT D'EN RECEVOIR L'INSTRUCTION ULTÉRIEUREMENT. CELA FACILITE L'ALIGNEMENT DES TROUS DE FIXATION DES PIÈCES.**

### CONSEILS D'ASSEMBLAGE :

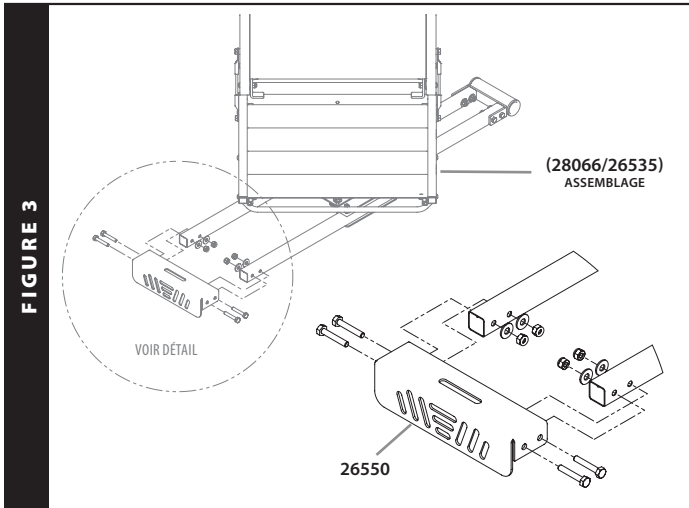
- *Il est conseillé d'assembler l'abri pour pêche sur glace à l'intérieur en raison de la durée nécessaire. Veiller à identifier et se familiariser avec toutes les pièces et la visserie avant l'assemblage. Prévoir 1 à 2 heures pour l'assemblage.*
- *L'emploi d'une visseuse sans fil avec douille permet un assemblage beaucoup plus rapide de l'abri pour pêche sur glace. Veiller à régler la visseuse sur une vitesse basse pour éviter de trop serrer les ensembles vis et écrous.*
- *Si un jeu de patins a été acheté avec l'abri, il est plus pratique de le monter sur le traîneau avant d'assembler l'abri.*



- 2** (A) Monter la pièces **28066** sur les deux (2) **26535** à l'aide de quatre (4) vis de 1-1/2 po, quatre (4) écrous et quatre (4) rondelles.

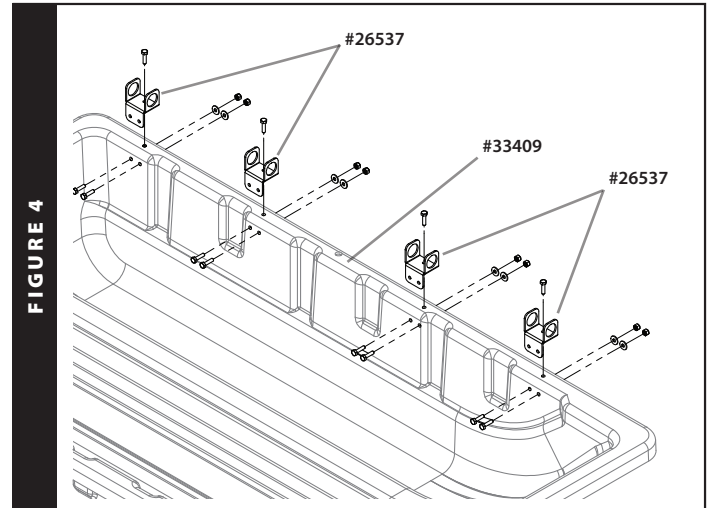
**REMARQUE:** Le côté long du # 26535 devrait pointer dans le sens opposé du # 28066.

(B) Enfiler l'assemblage **28058/15004** sur l'assemblage **28066/26535** comme sur l'illustration.

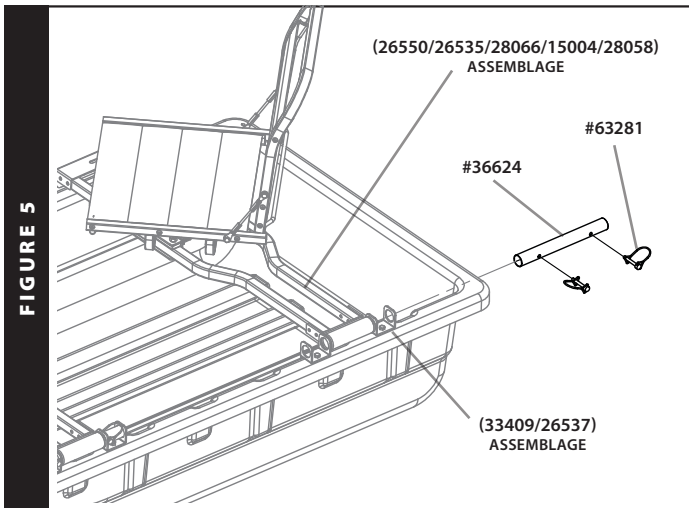


**3** (A) Monter **26550** sur l'assemblage 28066/26535 à l'aide de quatre (4) vis de 1-½ po, quatre (4) écrous et quatre (4) rondelles.

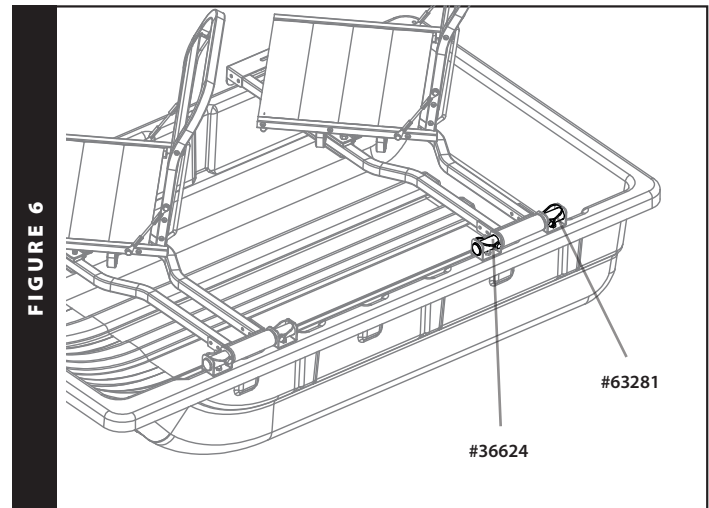
(B) Répéter les étapes 2a, 2b et 3a ci-dessus pour assembler les éléments restants du siège.



**4** Monter la pièce **26537** sur **33409** à l'aide de trois (3) vis de 1 po, trois (3) rondelles et trois (3) écrous aux emplacements indiqués dans la **Figure 4**. Répéter cette étape pour les pièces 26537 restantes.

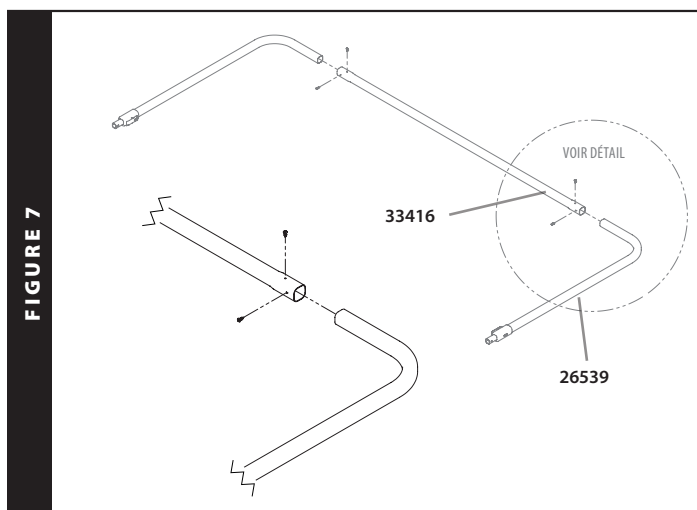


**5 a** Monter le siège complètement assemblé de l'étape 3 (26550/26535/28066/15004/28058) sur l'assemblage 33409/26537 à l'aide d'une (1) pièce **36624** et deux (2) goupilles d'arrêt de ¼ po **63281** comme sur la **Figure 5**. Répéter cette étape pour l'autre siège et élément 33726.

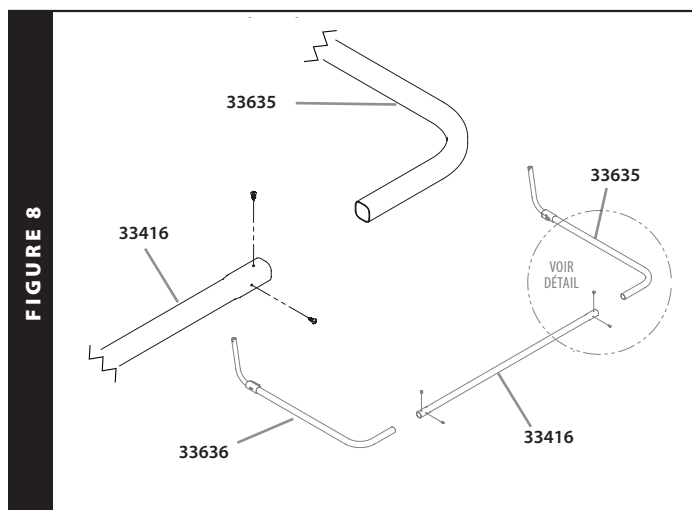


**5 b** Voir la vue de l'étape 5 terminée à la **Figure 6**.

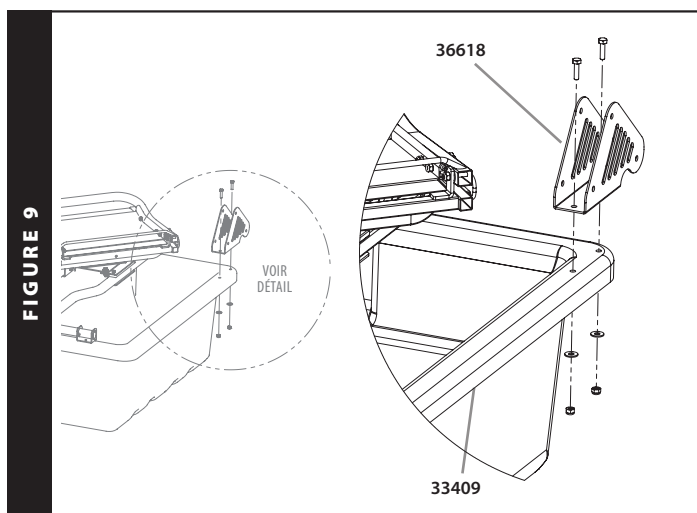
## ASSEMBLAGE DE L'ARMATURE EN ALUMINIUM



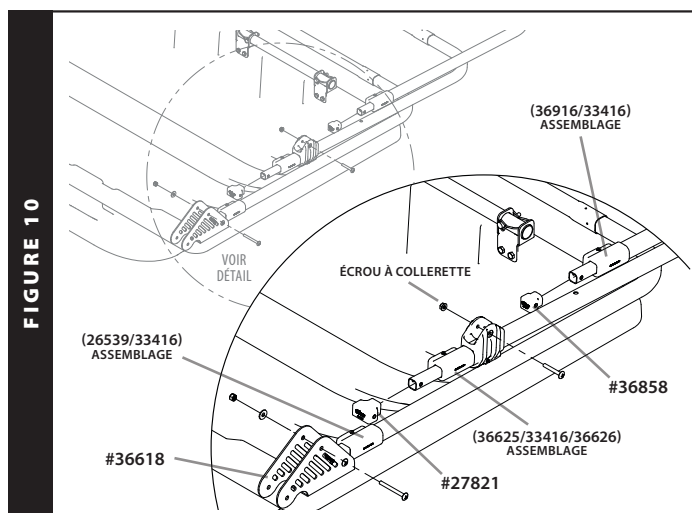
**6** Monter deux (2) éléments **26539** à **33416** avec les vis à tôle de ½ po fournies, deux (2) vis par côté dans les trous prépercés de 33416. Répétez cette étape pour (2) assemblages n° **36916** à n° **33416** et **(36625/36626)** assemblages à n° **33416**. Il devrait y avoir (3) assemblages finis de pôles de boucle totale lorsque cette étape est terminée.



**7** Monter **33636** et **33635** sur **33416** à l'aide des vis à tôle de ½ po fournies, deux (2) vis par côté dans les trous prépercés de 33416.



**8** Monter **36618** sur **33409** à l'aide de deux (2) vis de 1 po, deux (2) rondelles et deux (2) écrous. Répéter cette étape pour l'élément 36618 restant.



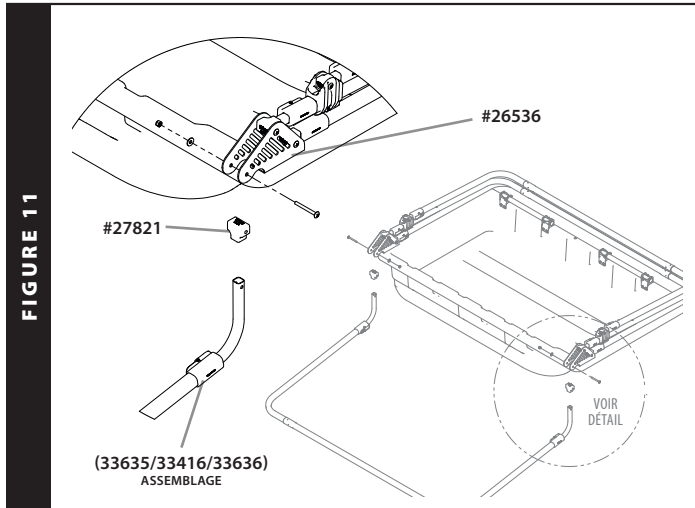
**9** (A) Assemblez l'ensemble **(26539/33416)** sur **(36618)** à l'aide de (2) boulons d'entraînement Philips 2-½ IN, (2) rondelles et (2) écrous dans le trou inférieur arrière du # 36618.

(B) Répétez l'étape ci-dessus pour assembler **(36625/36626/33416)** l'assemblage (en utilisant le trou supérieur du milieu dans # 36618).

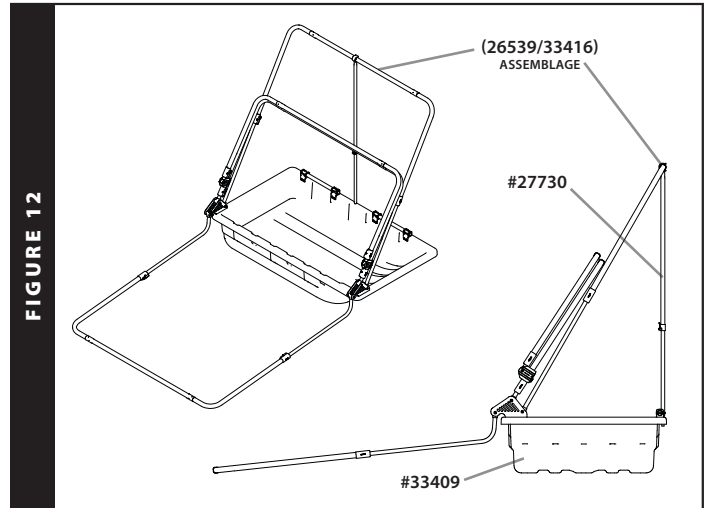
**REMARQUE:** Le bouton-poussoir # 36642 doit être face vers le bas.

(C) Assemblez **(36916/33416)** à la charnière **36642** reposant sur **(36625/33416/36626)** à l'aide de (2) **36858**, (2) boulons d'entraînement Philips de 1-¾ po, (2) rondelles et (2) écrous de bride.

## MONTAGE DES BARRES D'ÉCARTEMENT / POSE DE LA TOILE

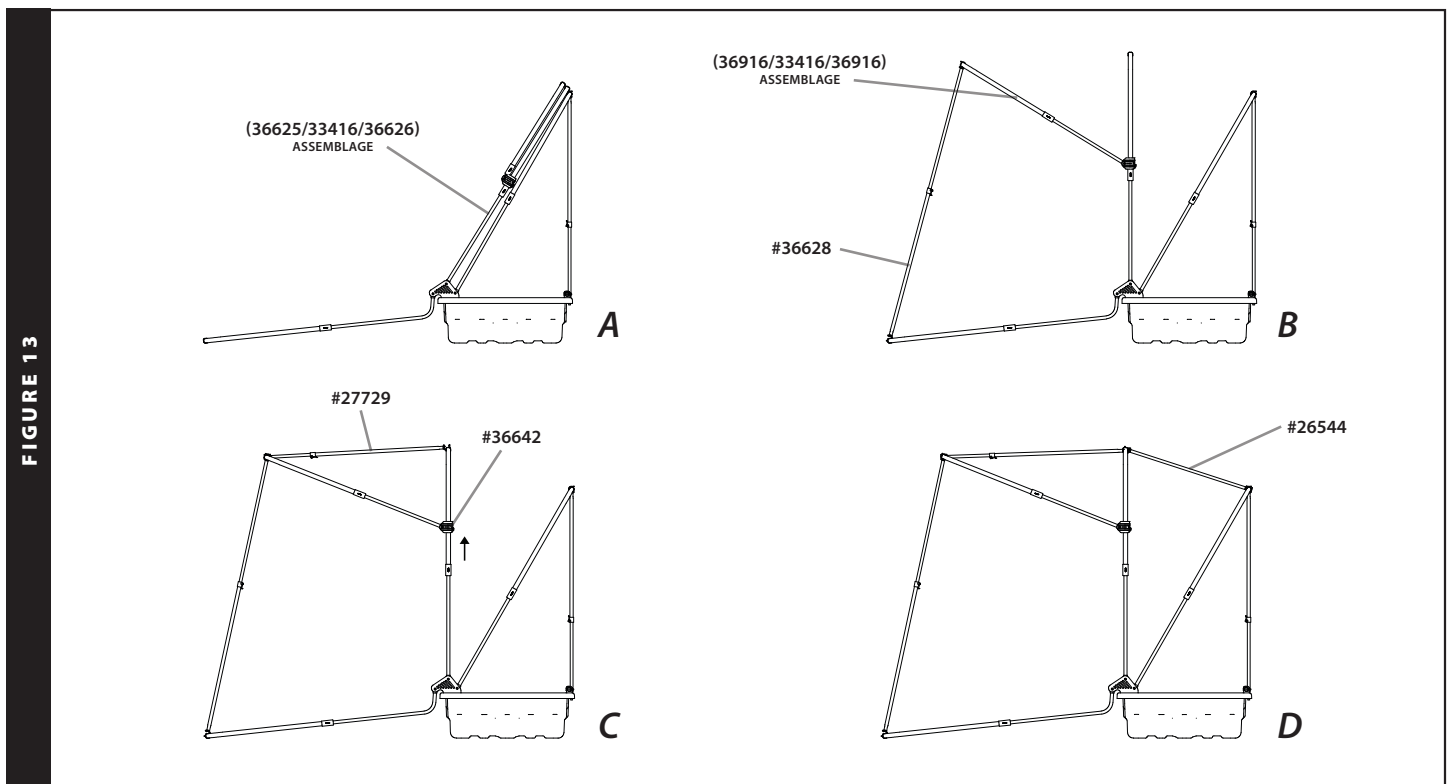


**10** Assemblez (33635/33416/33636) à # 27821 et # 26536 à l'aide de (2) boulons d'entraînement Philips 2-½ IN, (2) rondelles et (2) écrous.



**11** (A) Attacher 27730 à 33409 et à 26539/33416 comme sur la Figure 12. Veiller à déployer complètement l'assemblage 26539/33416 jusqu'à l'enclenchement avant d'attacher 27730.

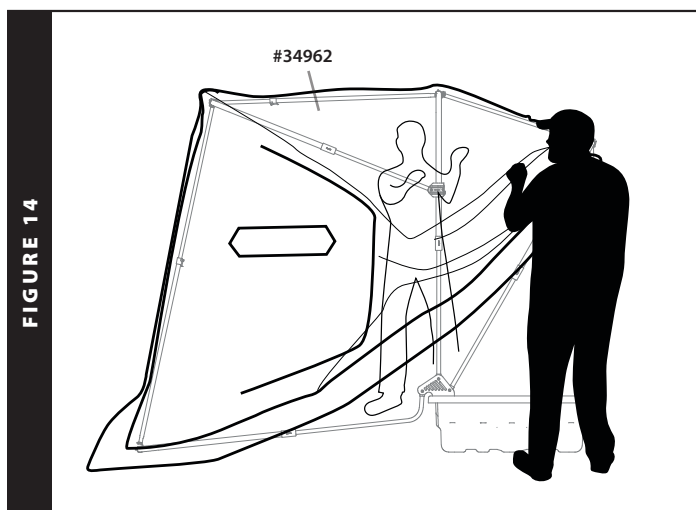
(B) Ajuster la hauteur de 27730 de telle façon que l'assemblage 26539/33416 soit à la verticale du bord de 33409 comme sur la Figure 12.



Reportez-vous à la  
**Figure 13**  
de la page précédente  
pour la séquence  
d'assemblage des  
poteaux d'épandage.

- 12** (A) Commencez par étendre l'ensemble **(36625/33416/36626)**.  
(B) Déployez ensuite l'ensemble (36916/33416/36916) et fixez les (2) poteaux d'écartement avant # 36628 à l'ensemble de poteau étendu et à l'ensemble de poteau inférieur (les poteaux d'épandeur doivent être placés aussi loin que possible dans chaque coin sans être dans le rayon).  
(C) Poussez ensuite les assemblages **36642** vers le haut jusqu'à ce qu'il y ait un dé clic, en les plaçant en position «haut». Ajoutez le poteau d'écartement **27729** et ajustez la longueur de manière appropriée tout en maintenant la position verticale de l'ensemble de poteau **(36625/33416/36626)**.  
(D) Enfin, ajoutez le poteau d'écartement **26544** comme indiqué.

- 14** Tous les poteaux d'écartement doivent être ajustés avec des attaches de peau auto-agrippantes maintenant en place. Chaque poteau d'épandage réglable doit maintenir les poteaux à l'emplacement souhaité, comme illustré à la **Figure 13**. Effectuez les ajustements nécessaires pour s'adapter à la peau. Il doit y avoir une tension cutanée égale tout au long et aucun poteau d'écartement ne crée plus de tension que nécessaire.

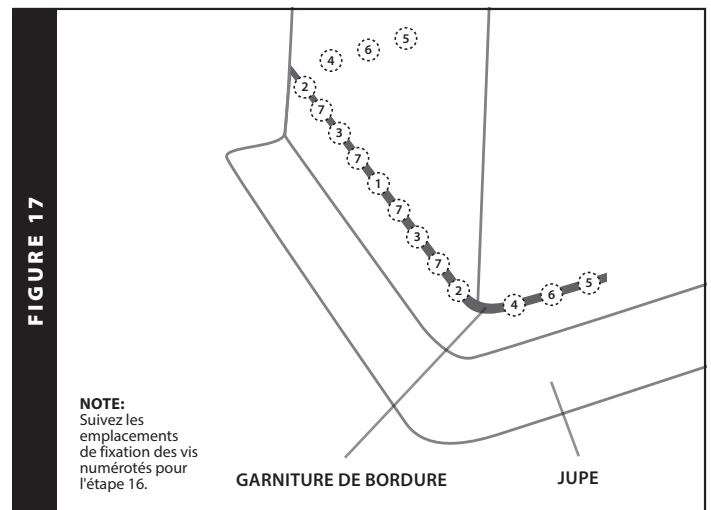
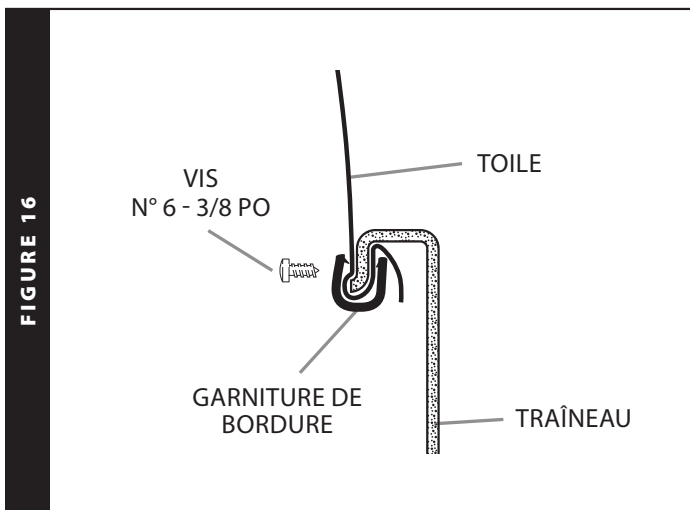


- 13** (A) Avec tous les poteaux d'écartement en place, commencez à travailler l'ensemble de peau **34962** sur le cadre en aluminium.  
(B) Il y a des attaches auto-agrippantes cousues sur l'intérieur de la toile pour attacher/tenir en place chaque armature en aluminium. Fermer chaque attache aussi serrée que possible. Cela assure que la toile est bien tendue une fois qu'elle est attachée au traîneau 33409.

Visitez [GetEskimo.com](http://GetEskimo.com)  
pour des vidéos et  
des conseils utiles sur  
l'attachement à la peau et  
plus encore.

**CONSEILS D'ASSEMBLAGE POUR LES ÉTAPES 15 ET 16 :**

- Il est conseillé d'attacher tout l'arrière de la toile avant d'engager la garniture de bordure au-delà des coins du traîneau. Cela maintient la toile uniforme et évite qu'il y ait plus ou moins de toile tirée d'un côté par rapport à l'autre.
- La fixation de la bordure peut être refaite jusqu'à ce que des résultats satisfaisants soient obtenus. Ceci est recommandé, car cela augmentera les performances de l'abri.
- Une fois que la garniture de bord est satisfaisante, retirez tous les poteaux d'écartement et assurez-vous que la peau est autoportante correctement, avant de fixer définitivement la garniture de bord avec des vis.
- Il est conseillé d'utiliser une perceuse sans fil durant l'ÉTAPE 16. La garniture de bordure caoutchoutée comporte une âme de renfort métallique et il est parfois difficile de visser à travers. Il est important de placer les vis vers le haut de la largeur de la garniture pour assurer un plein contact avec le traîneau.



- 15** (A) Raccourcissez les poteaux d'écartement avant (36628) de 1 pouce, en les laissant toujours attachés. Raccourcissez également le poteau arrière (27730) de 1 pouce. Cela garantira une tension appropriée sur la peau pendant son utilisation, sans avoir besoin de barres d'écartement. La peau et le cadre doivent être autoportants sans écarteurs une fois la garniture de bord fixée.
- (B) Trouver la garniture de bordure en caoutchouc de 2,9 m (9 pi 6 po) dans la boîte de pièces. Trouver le point milieu de la garniture de bordure. Ce sera le point de départ pour la pose de la garniture sur la toile.
- (C) Se placer derrière l'abri et trouver le milieu du traîneau 33409. C'est le point où la garniture de bordure commence à être attachée.
- (D) Tirez sur la peau au milieu du dos de la peau, en veillant à appliquer une tension en dessous du point d'attache. Tout en maintenant la tension, poussez la garniture de bord sur la lèvre du traîneau et commencez à travailler autour du traîneau. Maintenez la tension devant la garniture de bord enfoncée, car cela gardera la peau tendue et sans rides.

- 16** Fixez la garniture de bord à l'arrière du traîneau n° 33409 à l'aide des vis d'entraînement Philips #6 x 1/2 po incluses. Commencez avec une vis au centre du traîneau, puis une à chaque coin d'extrémité, puis divisez la différence entre les coins et le milieu. Ensuite, placez des vis au coin de chaque côté et une à chaque extrémité de la bordure. Enfin, divisez la différence entre le coin et l'extrémité sur le côté, et placez les vis restantes également espacées entre les vis existantes à l'arrière. Voir Figure 17.
- REMARQUE :** Assurez-vous que la peau est bien serrée et même avant d'installer les vis de bordure. Il sera plus facile de faire des ajustements avant d'avoir installé toutes les vis.

## DÉPLOIEMENT ET REPLIAGE DE L'ABRI

**1** (A) Avant d'ouvrir le nouvel abri basculant Eskimo, vérifier que la toile n'est pas emmêlée ni pincée de quelque façon que ce soit car cela peut empêcher l'armature de se déployer complètement.

(B) En commençant sur l'avant de l'abri, saisir l'armature inférieure et l'étendre lentement jusqu'au déclic indiquant que l'armature est verrouillée en position étendue.

**2** (A) Tout en tirant le poteau étendu inférieur sur votre tête, attrapez le prochain ensemble de poteaux et étendez-les.

(B) Repeat step 2a until the remaining framework assemblies are fully extended and the shelter is deployed.

**TIP:** At this point the shelter is usable as the spreader poles are not necessary when the skin has been properly attached as described earlier in this manual. Spreader poles are to be used in inclement weather conditions.

**POSITION COUPE-VENT:** Le poteau d'écartement réglable arrière (# 27730) peut être utilisé pour créer une position d'abri partiellement ouvert qui fonctionne bien pour bloquer les «vents légers» lors des jours de pêche autrement agréables. Voir Figure 18.

**3** (A) Le processus de repliage est semblable au déploiement de l'abri, mais dans l'ordre inverse.

(B) Veiller à fermer tous les rabats de fenêtre pour éviter de déchirer ou faire pendre ces pans de tissu dans l'armature.

**4** (A) Veiller à replier toute la toile avec soin vers l'intérieur pour éviter tout déchirement du tissu. Des dommages à la toile sont probables si la toile n'est pas correctement repliée avant le transport.

(B) Utiliser l'armature pour rentrer et bloquer chaque pan de toile entre les deux arceaux de façon à sécuriser la toile à l'intérieur du traîneau.

**ASTUCE :** Si une grande quantité de matériel est transportée, il est plus facile de replier l'abri et emballer correctement la toile d'abord, avant de recharger tout le matériel dans le traîneau. Avec le temps, chaque utilisateur établira la méthode de rangement qui lui convient le mieux.

### OPTIONNEL CÈILLETS D'ANCRAGE EN JUPE:

Ce modèle d'abri comprend également des œillets dans la jupe pour dans des conditions où il y a peu de neige sur la glace. Une ancre à glace peut être installée à chaque coin de l'abri garder la jupe à plat sur la glace. Sceller les éléments.

Les d'ancrage à la glace (# 69138) 2 packs sont vendus séparément et sont disponibles en ligne sur **GetEskimo.com**.

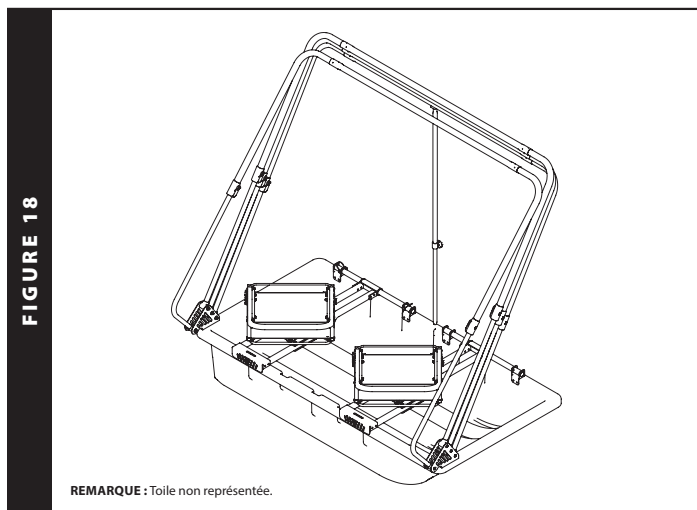


FIGURE 18

REMARQUE : Toile non représentée.

FRANÇAIS

### CONSEILS D'ENTREPOSAGE DE LONGUE DURÉE

Toujours s'assurer que l'abri pour pêche sur glace est complètement sec avant de l'entreposer pendant de longues périodes. L'entreposage de l'abri pour pêche sur glace alors qu'il est humide ou mouillé peut provoquer des moisissures.

- Démontez la toile du traîneau et de l'armature de l'abri.
- Nettoyez tout le sel, l'humidité et les saletés de la toile, du traîneau et des montants d'armature de l'abri. Essuyez les montants avec un chiffon humide.
- Entreposez la toile, l'armature et le traîneau dans un endroit frais et sec à l'abri des rongeurs.

### SERVICE APRÈS-VENTE, DÉPANNAGE ET RÉPARATION

#### Information concernant l'entretien

Chez Ardisam, nous intégrons la qualité et la durabilité dans la conception de nos produits; mais toute la conception soignée et tout l'entretien attentionné ne sauraient garantir une existence totalement exempte de réparation de ce produit.

Nous sommes toujours heureux de répondre à toute question ou d'aider à trouver l'assistance nécessaire.

### COMMANDER DES PIÈCES DE RECHANGE

Les pièces peuvent s'obtenir dans le magasin où le produit a été acheté ou en appelant le service après-vente Ardisam au numéro indiqué ci-dessous. Pour commander auprès de l'usine, appeler, envoyer un courriel ou commander en ligne à [www.GetEskimo.com](http://www.GetEskimo.com) :

Eskimo®  
Une division d'Ardisam, Inc.  
**1-800-345-6007**  
**Courriel : [info@geteskimo.com](mailto:info@geteskimo.com)**

Veiller à inclure la référence des pièces, la description des pièces, la quantité, le numéro de modèle et le numéro de série.

# Eskimo®

## ESKAPE™ 2600 Modalités de la garantie

### GARANTIE PRODUIT : GARANTIE LIMITÉE 1 AN

Ardisam, Inc., couvre cet abri Eskimo® Eskape™ 2600 par une garantie limitée un an pièces et main-d'œuvre pendant une durée maximale de douze mois consécutifs à compter de la date de l'achat initial par le premier acheteur au détail ou utilisateur commercial. L'« usage grand public » fait référence à une utilisation personnelle à des fins récréatives par un acheteur au détail. L'« usage commercial », ou « application commerciale », correspond à toutes les autres utilisations, notamment à des fins commerciales, lucratives ou de location. Une fois que le produit a fait l'objet d'un usage commercial, il sera toujours considéré par la suite comme étant un produit à usage commercial pour les besoins de la garantie. La présente garantie ne couvre pas les fenêtres fissurées, les déchirures de toile ni les déformations d'armature causées par des conditions de grand vent, de mauvaises conditions météorologiques, une utilisation sans surveillance ou des utilisations autres que celles indiquées dans le manuel de l'utilisateur. Cette garantie s'applique au propriétaire initial muni d'une preuve d'achat de l'abri. La garantie n'est pas cessible. La période de garantie débute à la date d'achat par le premier acheteur au détail ou utilisateur commercial et s'étend ensuite sur une durée de douze mois consécutifs. Tout article utilisé dans le cadre d'une activité commerciale est couvert pendant une durée de 90 jours après l'achat. Pour que la garantie soit valable, le produit doit être enregistré en ligne à [www.GetEskimo.com](http://www.GetEskimo.com) ou la carte de garantie doit être remplie et reçue par Ardisam, Inc. dans les 30 jours après l'achat. Ardisam n'est sous aucune obligation d'expédier un produit réparé ou échangé à une quelconque adresse en dehors des États-Unis d'Amérique et du Canada.

**Pour toute pièce de rechange, appeler le 800-345-6007 ou aller à [www.GetEskimo.com](http://www.GetEskimo.com).**

*\*La présente garantie s'applique exclusivement aux produits n'ayant pas fait l'objet de négligence, emploi détourné, utilisations autres que celles indiquées dans le manuel de l'utilisateur du produit, modification, accident, utilisation de pièces non autorisées, manquement à effectuer l'entretien régulier indiqué dans le manuel de l'utilisateur du produit, usure normale, utilisation de pièces non autorisées ou réparations effectuées ailleurs que dans un centre de réparation agréé. Il n'existe aucune autre garantie expresse. Les garanties implicites, y compris celles de qualité marchande et d'adaptation à un emploi particulier, sont limitées à un an à compter de la date d'achat ou dans la mesure prévue par la loi. Toutes les autres garanties implicites sont exclues. La responsabilité de dommages indirects ou accessoires est exclue dans la mesure où l'exclusion est autorisée par la loi. Ardisam, Inc. n'assume aucune responsabilité, et n'autorise personne à assumer en son nom une quelconque responsabilité, en rapport avec la vente de ses produits. Pour recourir à la garantie, veiller à obtenir un accord préalable en appelant notre service après-vente au 1-800-345-6007. Avant d'envoyer le produit à Ardisam pour une réparation sous garantie, l'accord préalable d'Ardisam doit être obtenu en appelant notre service après-vente pour recevoir un numéro d'autorisation de renvoi de matériel (RMA#). Sous ces circonstances, tous les articles doivent être envoyés en port payé. Ardisam, à son entière discrétion, réparera ou remplacera sans frais toute pièce défectueuse qui remplit toutes les conditions énoncées ci-dessus. Ardisam se réserve le droit de modifier les modèles, les caractéristiques et les prix sans préavis. Ardisam n'est sous aucune obligation d'expédier un produit réparé ou échangé à une quelconque adresse en dehors des États-Unis d'Amérique et du Canada.*

#### ESKIMO®

Une division d'Ardisam, Inc.  
1160 Eighth Avenue; P.O. Box 666  
Cumberland, Wisconsin 54829  
1-800-345-6007 · Télécopie (715) 822-4180  
Courriel : [info@geteskimo.com](mailto:info@geteskimo.com)