



5-GALLON HYDRAULIC RESERVOIR

OWNER'S MANUAL



⚠ WARNING:
Carefully read and understand all **ASSEMBLY AND OPERATION INSTRUCTIONS** before operating. Failure to follow the safety rules and other basic safety precautions may result in serious personal injury.

Item# FTF-05GOR

5-GALLON HYDRAULIC RESERVOIR OWNER'S MANUAL

Thank you very much for choosing this product. For future reference, please complete the owner's record below:

Model: _____ Purchase Date: _____

Save the receipt, the warranty and these instructions. It is important that you read the entire manual to become familiar with this product before you begin using it.

This product is designed for certain applications only. The manufacturer and/or distributor cannot be responsible for issues arising from modification. We strongly recommend that this product not be modified and/or used for any application other than that for which it was designed. If you have any questions relative to a particular application, DO NOT use the product until you have first contacted the distributor to determine if it can, or should, be performed on the product.

For technical questions, please call **1-218-943-6290**.

TECHNICAL SPECIFICATIONS

For use on a variety of applications including log splitters.

Construction	Steel welded construction with a black powder-coat finish
Product Dimensions L x W x H	19-29/32" x 8-3/4" x 8-1/4"

GENERAL SAFETY RULES

⚠ WARNING: Read and understand all instructions. Failure to follow all instructions listed below may result in serious injury.

⚠ CAUTION: Do not allow persons to operate or assemble this Hydraulic Reservoir until they have read this manual and have developed a thorough understanding of how this product works.

⚠ WARNING: The warnings, cautions, and instructions discussed in this instruction manual cannot cover all possible conditions or situations that could occur. It must be understood by the operator that common sense and caution are factors that cannot be built into this product, but must be supplied by the operator.

SAVE THESE INSTRUCTIONS

WORK AREA

- **Keep work area clean**, free of clutter, and well-lit. Cluttered and dark work areas can cause accidents.
- **Keep children and bystanders** away while using the Hydraulic Reservoir. Visitors should remain at a safe distance from the work area.
- **Be alert of your surroundings.** Using the Hydraulic Reservoir in confined work areas may put you in a dangerous situation.

PERSONAL SAFETY

- **Stay alert**, watch what you are doing, and use common sense when using the Hydraulic Reservoir. Do not use the Hydraulic Reservoir while you are tired or under the influence of drugs, alcohol, or medication. A moment of inattention while using the Hydraulic Reservoir may result in serious personal injury.
- **Dress properly.** Do not wear loose clothing, dangling objects, or jewelry. Keep your hair, clothing, and gloves away from moving parts.
- **Safety Equipment.** Wear heavy-duty work gloves, approved safety goggles, and proper head and footwear.

5-GALLON HYDRAULIC RESERVOIR OWNER'S MANUAL

HYDRAULIC RESERVOIR USE AND CARE

- **Do not modify the Hydraulic Reservoir in any way.** Unauthorized modification may impair the function and/or safety and could affect the life of the equipment.
- **Always check for damaged or worn out parts before using the Hydraulic Reservoir.** Broken parts will affect its operation. Replace or repair damaged or worn parts immediately.
- **NEVER USE YOUR HAND TO DETECT LEAKS!**

CAUTION:

READ and UNDERSTAND this information completely before using Hydraulic Reservoir. All operators of this equipment must read and completely understand all safety information and usage instructions. Failure to comply with this information could result in serious injury to the operator and bystanders or damage to equipment.

Do Not attempt to add more hydraulic fluid during operation to extend the hydraulic capacity. Ensure all components in the hydraulic system are appropriately sized and rated for the application.

Do Not touch the exterior of the reservoir. It can become hot during operation.

Check the hydraulic system (hoses, tubing, clamps/fittings, pump, and cylinders) carefully before each use. Do not operate the hydraulic system with frayed, kinked, cracked, or damaged hydraulic hoses, fittings, or tubing, or if oily residue is observed on any of the components. High fluid pressures and temperatures are developed in hydraulic equipment. Hydraulic fluid escaping through a pinhole sized opening can burn or puncture skin, resulting in wounds that could cause blood poisoning, infection, disability, gangrene, amputation, or death. Therefore, the following instructions should be heeded at all times when inspecting or servicing hydraulic equipment.

Always make sure the engine/motor is off before servicing the hydraulic system. In addition, disconnect spark plug/power supply and relieve system pressure before changing or adjusting hydraulic system components such as hoses, tubing, fittings, or other components.

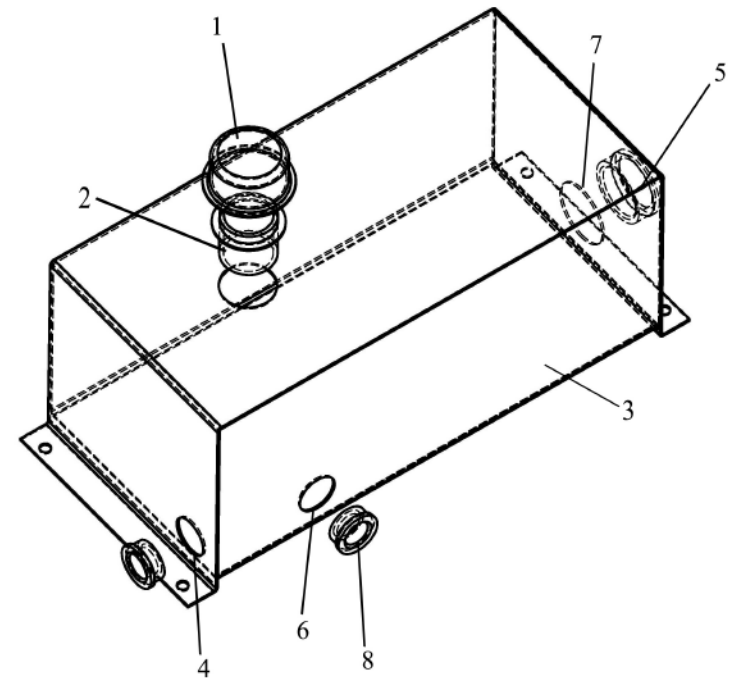
Never remove the hydraulic fill cap while in operation. Hot oil can escape, causing severe burns. Allow hydraulic system to cool completely before removing hydraulic oil fill cap.

NEVER check for leaks with your hand. Leaks can be located by holding a piece of cardboard or wood (at least two feet long) with your hand at one end and passing the other end over the suspected area (wear eye protection). Look for discoloration of the cardboard or wood.

If injured by escaping fluid, no matter how small the wound is, see a doctor at once. A typical injection injury may be a small wound that does not look serious. However, severe infection or reaction can result if proper medical treatment is not administered immediately by a doctor who is familiar with injection injuries.

5-GALLON HYDRAULIC RESERVOIR OWNER'S MANUAL

PARTS DIAGRAM:



Not all parts shown are replaceable. Shown for informational purposes only.

PARTS LIST:

Part#	Description	Qty.	Part#	Description	Qty.
1	Filler/Breather Cap	1	5	Suction Screen	1
2	Inlet Screen	1	6	3/4\"NPT Return port	1
3	Tank	1	7	1-1/2\" NPT Suction port	1
4	3/4\"NPT Drain plug	1	8	Plug	2

For replacement parts and technical questions, please call **1-218-943-6290**.

WARRANTY

One-year limited parts warranty



BAC Industries
PO BOX 155
Miltona, MN 56354

Made in CHINA