



Bucket Forks — 2,600 lbs. Capacity

OWNER'S MANUAL



WARNING:

Read carefully and understand all **OPERATION INSTRUCTIONS** before operating. Failure to follow the safety rules and other basic safety precautions may result in serious personal injury.

MODEL# FTF-2600BF

Thank you very much for choosing this product. For future reference, please complete the owner's record below:

Model: FTF-2600BF Purchase Date: _____

Save the receipt, warranty, and these instructions. It is important that you read the entire manual to become familiar with this product before you begin using it.

This product is designed for certain applications only. The manufacturer and/or distributor cannot be responsible for issues arising from modification. We strongly recommend that this product not be modified and/or used for any application other than that for which it was designed. If you have any questions relative to a particular application, DO NOT use the product until you have first contacted the distributor to determine if it can, or should be, performed on the product.

For technical questions, please call **218-943-6290**.

TECHNICAL SPECIFICATIONS

Capacity	2,600 lbs.
Construction	Steel construction with a black powder-coat finish
Product Dimensions L x W x H	61-1/2" × 4-5/16" × 8-1/2"

INTENDED USE

The bucket forks provide you with the ability to clamp to the bucket of your tractor/skid loader and easily convert the bucket into forks.

GENERAL SAFETY RULES



WARNING: Read and understand all instructions. Failure to follow all instructions listed below may result in serious injury.



CAUTION: Do not allow persons to operate or assemble these bucket forks until they have read this manual and have developed a thorough understanding of how this product works.



WARNING: The warnings, cautions, and instructions discussed in this instruction manual cannot cover all possible conditions or situations that could occur. It must be understood by the operator that common sense and caution are factors that cannot be built into this product, but must be supplied by the operator.

SAVE THESE INSTRUCTIONS

IMPORTANT:

Working with unfamiliar equipment can lead to careless injuries or even death related injuries. Read this manual and the manual for the tractor/skid loader before assembly or operating and to acquaint yourself with the machine, as well as the accessories you will be using on the machine. It is the owner's responsibility to make certain that the operator, prior to operating, reads and understands the operator's manual and is instructed in safe and proper use.



CAUTION:

Bucket attachments hold the load in front of the tractor/skid loader bucket. The tractor/skid loader must have a lift capacity 1000 lbs. **greater than** the weight of the load being handled. If the tractor/skid loader does NOT have this capacity, then a different attachment that requires removal of the bucket should be considered. Never lift a load that will jeopardize the structural integrity of your bucket. Loads need to be evenly balanced at all times. Load must be balanced on the forks.

TRACTOR AND SKID LOADER REQUIREMENTS AND PREPARATION

The required size of the tractor/skid loader will be determined by the size and weight of the loads to be handled. Remember, wet hay or debris can be extremely heavy in relation to similar size dry loads. Always use a tractor/skid loader large enough to safely handle the load. Check the tractor/skid loader to make sure it is in good working condition prior to use. Check all frame mounting bolts to make sure they are tight. Loaders that attach to the tractor/skid loader frame rails should have a crosstie installed for stability. Check the hydraulic system. Be sure the tractor/skid loader hydraulic oil and filter have been serviced according to the tractor/skid loader manufacturer's recommendations. The operator is responsible for the safe operation of their equipment. The operator must be properly trained. Operators should be familiar with the tractor/skid loader, attachment, and all safety practices before starting operation. Read all safety rules, cautions, and warnings listed throughout this product manual prior to use. It may be required to have a counter weight on the rear of the tractor/skid loader.



CAUTION:

Be sure the tractor/skid loader is in proper working condition and properly equipped with counter weights. Read all safety precautions and make sure all tractor/skid loader operators are familiar with the safety rules of tractor/skid loader operation.



WARNING:

A heavy load can cause instability in driving a tractor/skid loader. Make sure the front or rear of the tractor/skid loader is properly counter balanced with weights. Always drive slowly – especially around turns. An unstable tractor/skid loader could steer badly and possibly tip over, causing injury or death. The use of any loader attachment is NOT recommended on tractor/skid loader with a tricycle wheel arrangement. Loads must be evenly balanced.



WARNING:

Power unit must be equipped with ROPS or ROPS cab and seat belt. Keep seat belt securely fastened at all times while operating the machine. Falling off powered unit can result in death from being run over or crushed. Keep foldable ROPS systems in “locked up” position at all times.

INSTALLATION OF BUCKET FORKS

1. Always check the tractor/skid loader to make sure it is in good working condition.
2. Before clamping, ensure the “T” Handle(s) is clear of all loose debris prior to tightening.
3. Unscrew “T” Handle(s) to allow enough space to slide the attachment over the bucket.
4. Slide the clamp-on attachment all the way on. The front edge of the bucket should be completely inserted into the attachment with no extra space left in front of the bucket edge.
5. Tighten the “T” Handle(s) until the attachment is securely clamped to the bucket.
6. Re-tighten after the first use.



DANGER:

DO NOT operate the tractor/skid loader if the attachment is not securely fastened to the bucket. Always check and tighten the attachment before each use. If loose, your load and attachment can come off the bucket creating a dangerous situation that could lead to serious injury or even death.

OPERATION

The operator is responsible for the safe operation of this equipment. They must be 21 years or older and be properly trained. Operators should be familiar with the attachment, tractor/skid loader, and all safety practices before starting operation. Make sure all operators have read the Owner’s/Operator’s Manual(s) and are familiar with the instructions and the safety rules of operation. Be sure your tractor/skid loader is properly counter-balanced with weights before attempting to lift any load with fork or receiver attachment. If you are handling loads with both the front-end loader and the 3-point hitch on the tractor, always load the 3-point hitch attachment first and unload last.

IMPORTANT: Use bucket forks adjusted to the maximum width position possible to increase load stability.



DANGER:

Never exceed the lift capacity of the tractor/skid loader or bucket attachment accessories. Loads must be evenly balanced.



DANGER:

Beware of low electrical wires when the tractor/skid loader is raised. Serious injury or death can occur if contact is made.

HANDLE LOADS SAFELY AND BALANCED

Improper use of tractor/skid loader buckets, bucket forks, and bucket attachment accessories can result in serious injury or death. The load can fall on you, the tractor/skid loader, or surrounding people or equipment causing serious injury or even death if not used properly.

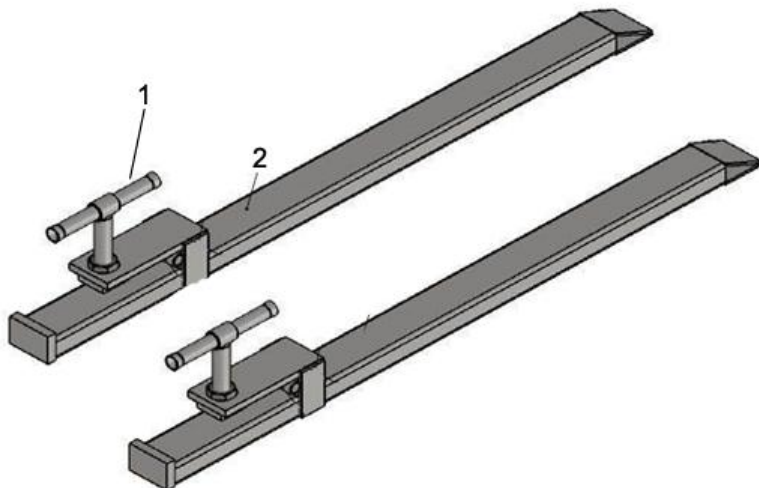
For ideal stability and visibility:

- Become familiar with use and location of all the tractor/skid loader controls.
- Be sure anyone operating the tractor/skid loader is aware of safe operation and potential hazards. Read and observe safety recommendations in the tractor/skid loader manual as well as this manual for bucket attachments.
- Operate tractor/skid loader from operator's seat only. Remain at controls until operating cycle is complete.
- Do not handle loads that exceed the weight limitations of the tractor/skid loader or bucket attachment accessories.
- Carry loads slowly and as low as possible to the ground.
- Operate the tractor/skid loader hydraulic controls smoothly; avoid any quick movements.
- USE ONLY on flat and level surfaces.
- Only use a tractor/skid loader or loader equipped with a ROPS cab or rollover protection structure.
- Stop tractor/skid loader gradually before lowering or lifting loads.
- Use extreme caution when working on hillsides and inclines.
- Avoid any holes, ditches, and obstructions, which can cause loader to easily tip.
- Allow for additional length of bucket on tractor/skid loader while turning.
- Never allow anyone to walk or work under a raised tractor/skid loader bucket or bucket attachment accessories.
- Never allow people, livestock, or pets to stand near the machine while operating.
- Do not use the bucket attachment accessories as a work platform.
- Do not lift or carry a person or animal on or in the bucket or on the bucket attachment accessories.
- Move slowly over rough terrain or when making turns.
- Drive with caution through gates and doorways.
- Avoid carrying loose loads or loads that can quickly shift.
- Always lower the bucket to the ground when tractor/skid loader is unattended.
- Always evenly balance loads.

STORAGE

- Inspect bucket forks accessory for loose, damaged, or worn parts and adjust or replace if needed.
- Sand areas where the powder coat is rubbed or worn and apply rust-resistant product to prevent rust.
- Always store in a safe place away from children or animals.

PARTS DIAGRAM:



Not all parts shown are replaceable. Shown for informational purpose only

PARTS LIST:

Part#	Description	QTY
1	T-Handle	2
2	Frame/Fork	2

For replacement parts and technical questions, please call **1-218-943-6290**.

WARRANTY

One-year limited parts warranty



BAC Industries
PO BOX 155
Miltona, MN 56354

Made in CHINA