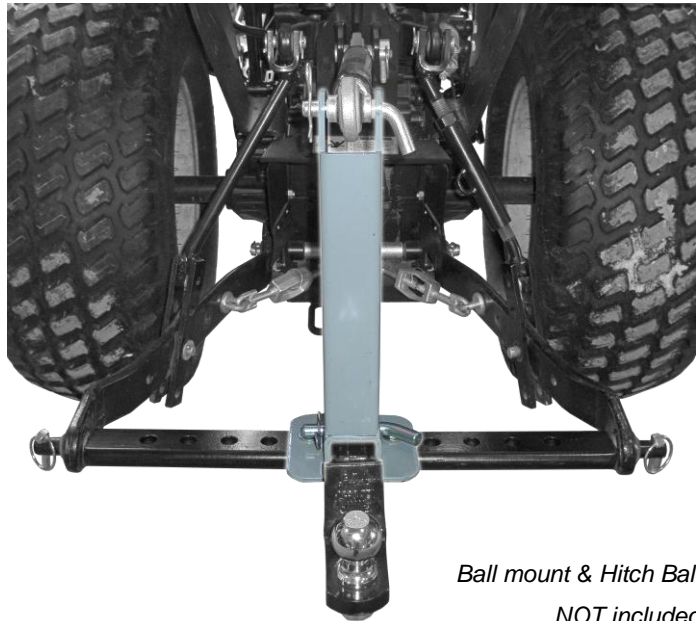




# TRACTOR DRAWBAR STABILIZER

OWNER'S MANUAL  
Item # FTF-03DBRM



*Ball mount & Hitch Ball  
NOT included*



## WARNING:

Read carefully and understand all **ASSEMBLY AND OPERATION INSTRUCTIONS** before operating. Failure to follow the safety rules and other basic information may result in personal injury.

## INTENDED USE

- Keeps drawbar stable and avoids swaying of 3-pt. assembly
- Accepts 2" square trailer hitch-style receiver
- Makes hooking attachments up easier by stabilizing the draw bar

## TECHNICAL SPECIFICATIONS

Capacity:	200 lbs. Tongue Weight	Fits Tractor Category:	Category 0 & 1
-----------	------------------------	------------------------	----------------

## GENERAL SAFETY RULES

- **Keep children and bystanders** away while operating the tractor. Distractions can cause you to lose control, so visitors should remain at a safe distance from the work area.
- **Stay alert**, watch what you are doing and use common sense when moving your tractor. Do not use this product while you are tired or under the influence of drugs, alcohol or medication. A moment of inattention while operating a tractor may result in serious personal injury.
- **Dress properly.** Do not wear loose clothing, dangling objects, or jewelry. Keep your hair, clothing and gloves away from moving parts. Loose clothes, jewelry or long hair can be caught in moving parts.
- **Use safety apparel and equipment.** Use non-skid safety shoes and gloves

**SAVE THESE INSTRUCTIONS**

## TRACTOR DRAWBAR STABILIZER USE AND CARE

1. Lock the top hole on the Stabilizer (#1) to your tractor center link by pin or bolt (not included).
2. The Stabilizer (#1) is for Category 0 tractor and you will need to add the Sleeve (#2) if you want to apply on your Category 1 tractor.
3. Use Bolts (#3), Nuts (#4) and Washers (#5) to mount the bottom end of the Stabilizer (#1) to the center of your drawbar, adjust the lift arm and make sure the Stabilizer is in vertical position and perpendicular to the drawbar before you tighten the bolt and nut.
4. The drawbar stabilizer is ready to use.
5. You can add a 2"x 2" ball mount or other equipment with 2"x 2" shank. Make sure the pin is locked (not included) and does not exceed 200 lbs. tongue weight capacity.

## WARNING

1. Always check for damages or worn out parts before each use.
2. Do NOT exceed 200 lbs. tongue weight maximum capacity.
3. Do not modify the Tractor Drawbar Stabilizer in any way.

## DIAGRAM & PARTS LIST

Ref #	Description	Qty
1	Stabilizer	1
2	Sleeve	1
3	Bolt M16X60	2
4	Lock Nut M16	2
5	Flat Washer	2

For replacement parts and/or technical questions, please call **218-943-6290**.

**WARRANTY:** One-year Limited Parts Warranty



PO Box 155  
Miltona, MN 56354  
TEL: 218-943-6290  
[www.bacindustries.com](http://www.bacindustries.com)  
Made in China

