



**We Power Your World!**

Parts List of

*Owner's Manual of Generator for*

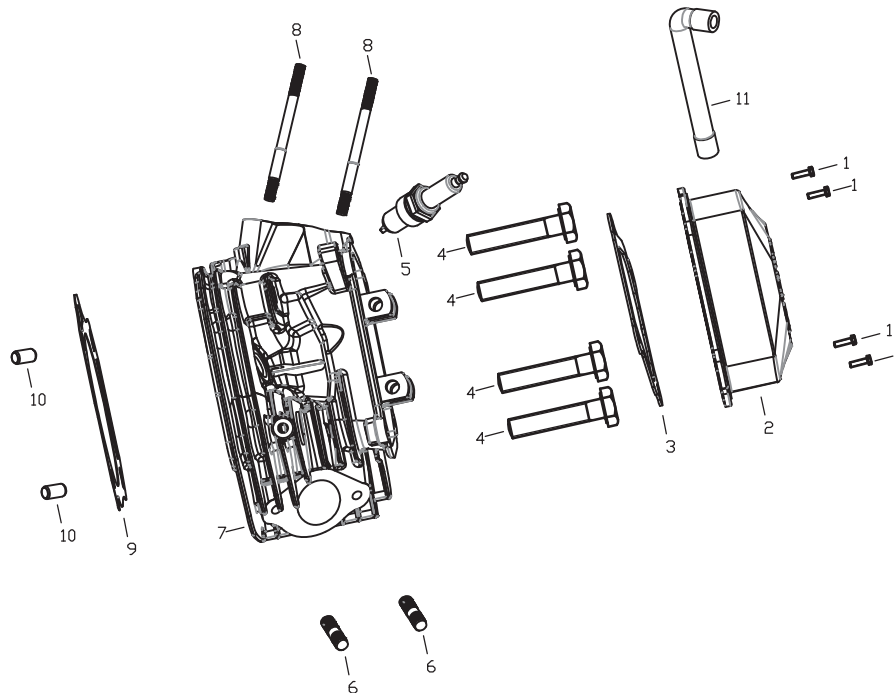
**GN12000CEW**



**Green-Power America, LLC**

# 12000W Generator

LCT engine parts  
Cylinder head system assy.

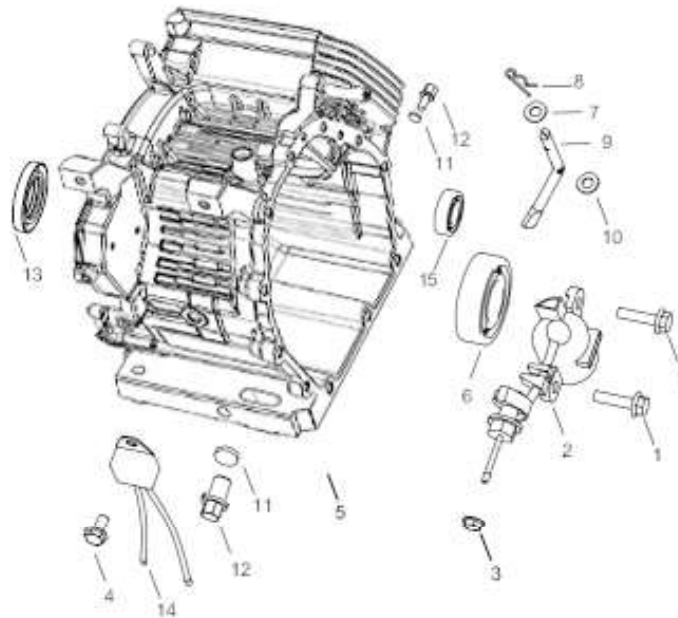


A

GPA PartsNo.	LCT Parts No.	Description	QTY
GN12000-A-01	PGS40003	FLANGE BOLT (M6X12)	4
GN12000-A-02	PGHD0650	HEAD COVER COMP	1
GN12000-A-03	PGHD0675	HEAD COVER PACKING	1
GN12000-A-04	PGH60050	HEAD COVER COMP. BOLT----FLANGE BOLT (M10X80)	4
GN12000-A-05	PGH44726	SPARK PLUG	1
GN12000-A-06	PGH62951	EXHAUST PIPE STUD BOLT(M8X39)	2
GN12000-A-07	PGHD0027	CYLINDER HEAD COMP	1
GN12000-A-08	PGH64175	CARBURETORSTUD BOLT(M8X108)	2
GN12000-A-09	PGHD0075	CYLINDER HEAD SEALING PAD	1
GN12000-A-10	PGH61025	DOWEL PIN $\phi 10 \times \phi 12 \times 20$	2
GN12000-A-11	PGH60778	BREATHER TUBE	1

# 12000W Generator

LCT engine parts  
Cylinder barrel

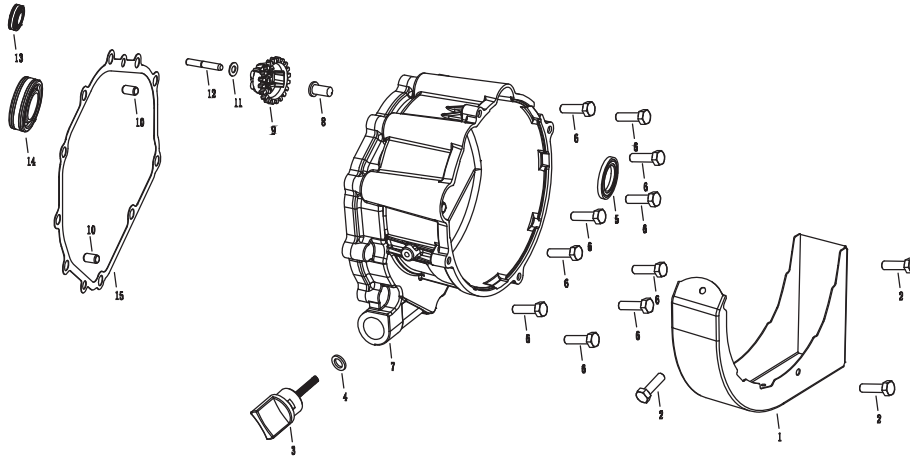


**B**

GPA Parts No.	LCT Parts No.	Description	QTY
GN12000-B-01	PGS40006	HEX HEAD FLANGE BOLT (M6X 16)	2
GN12000-B-02	PGH64750	OIL LEVEL SWITCH ASSY	1
GN12000-B-03	PGS20004	FLANGE NUT (M10)	1
GN12000-B-04	PGS40003	HEX HEAD FLANGE BOLT (M6X 12)	1
GN12000-B-05	PGHD0900	CRANK CASE	1
GN12000-B-06	PGH62177	BALL BEARING (6207)	1
GN12000-B-07	PGH65675	WASHER	1
GN12000-B-08	PGH65625	LOCK PIN (10 mm)	1
GN12000-B-09	PGH65650	GOVERNOR ARM SHAFT	1
GN12000-B-10	PGH75675	OIL SEAL	1
GN12000-B-11	PGH60951	DRAIN PLUG WASHER (12mm)	2
GN12000-B-12	PGH60975	DRAIN PLUG BOLT	2
GN12000-B-13	PGH60926	OIL SEAL 35*52*7	1
GN12000-B-14	PGH44775	OIL PROTECTOR	1
GN12000-B-15	PGH62203	BALL BEARING (6202)	1

# 12000W Generator

LCT engine parts  
Crankcase cover system assy.



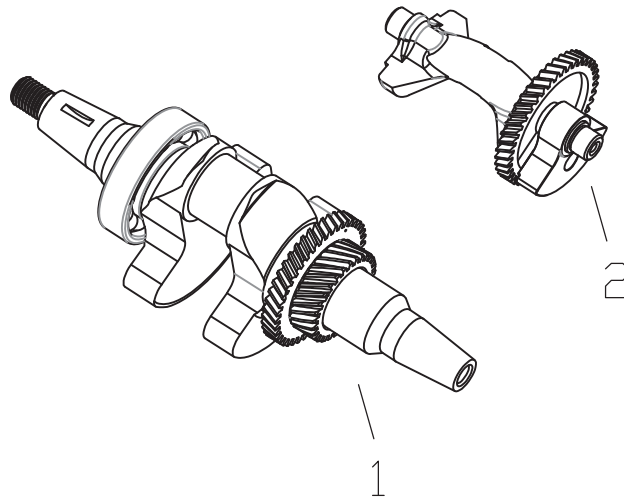
C

GPA Parts No.	LCT Parts No.	Description	QTY
GN12000-C-01	BGG13402	DUCT COVER	1
GN12000-C-02	PGS40055	FLANGE BOLT (M5 X 12)	3
GN12000-C-03	PGH66903	OIL SCALE	1
GN12000-C-04	PGH66903-1	OIL SCALE SEAL RING	1
GN12000-C-05	PGH60926	OIL SEAL	1
GN12000-C-06	PGH66876	FLANGE BOLT (M8X40)	10
GN12000-C-07	PGHD6860	CRANKCASE COVER	1
GN12000-C-08	PGH65150	GOVERNOR SLIDER	1
GN12000-C-09	PGHD5125	GOVERNOR GEAR	1
GN12000-C-10	PGH61000	DOWEL PIN (8X14)	2
GN12000-C-11	PGH75675	GOVERNOR GEAR WASHER	1
GN12000-C-12	PGH65200	SLIDER SHAFT	1
GN12000-C-13	PGH62203	BALL BEARING (6202)	1
GN12000-C-14	PGH62177	BALL BEARING (6207)	1
GN12000-C-15	PGHD6925	CRANKCASE COVER PAD	1

# 12000W Generator

LCT engine parts

Crankshaft system assy.



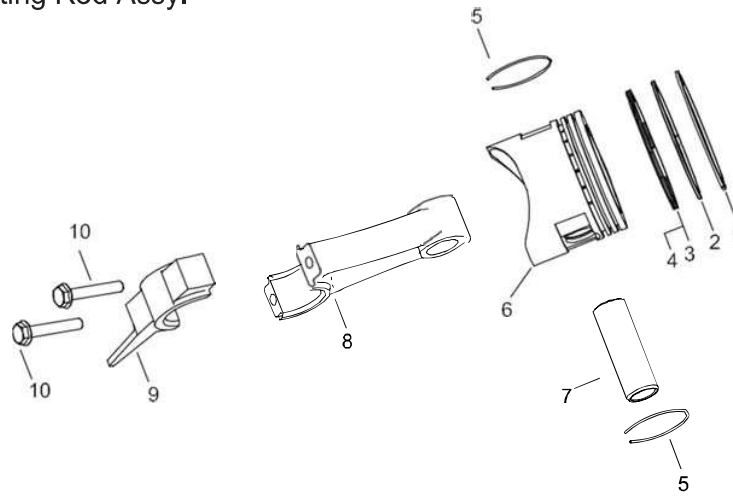
D

GPA Parts No.	LCT Parts No.	Description	QTY
GN12000-D-01	PGHD2100	CRANKSHAFT COMP.(Tapper shaft)	1
GN12000-D-02	PGHD1950	BALANCER WEIGHT	1

# 12000W Generator

LCT engine parts

Piston & Connecting Rod Assy.



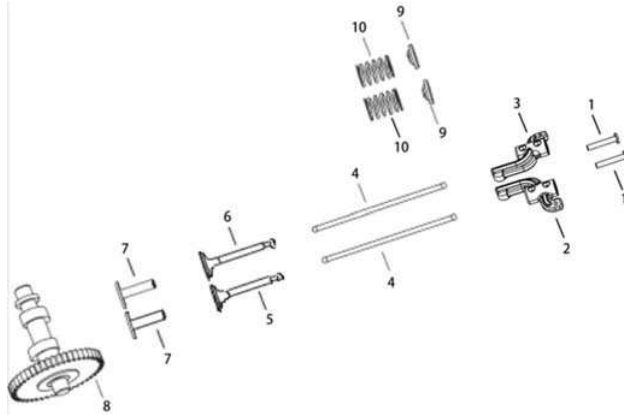
**E**

GPA Parts No.	LCT Parts No.	Description	QTY
GN12000-E-01	PGHD1350	COMPRESSION RING A	1
GN12000-E-02	PGHD1375	COMPRESSION RING B	1
GN12000-E-03	PGHD1400.1	OIL RING A	1
GN12000-E-04	PGHD1400.2	OIL RING B	2
GN12000-E-05	PGH61300	PISTON PIN CLIP (20 mm)	2
GN12000-E-06	PGHD1250	PISTON	1
GN12000-E-07	PGH61276	PISTON PIN	1
GN12000-E-08	PGHD1500.1	CONNECTING ROD	1
GN12000-E-09	PGHD1500.2	CONNECTING COVER	1
GN12000-E-10	PGHD1500.3	CONNECTING ROD BOLT	2

# 12000W Generator

LCT engine parts

Valve Train Assembly



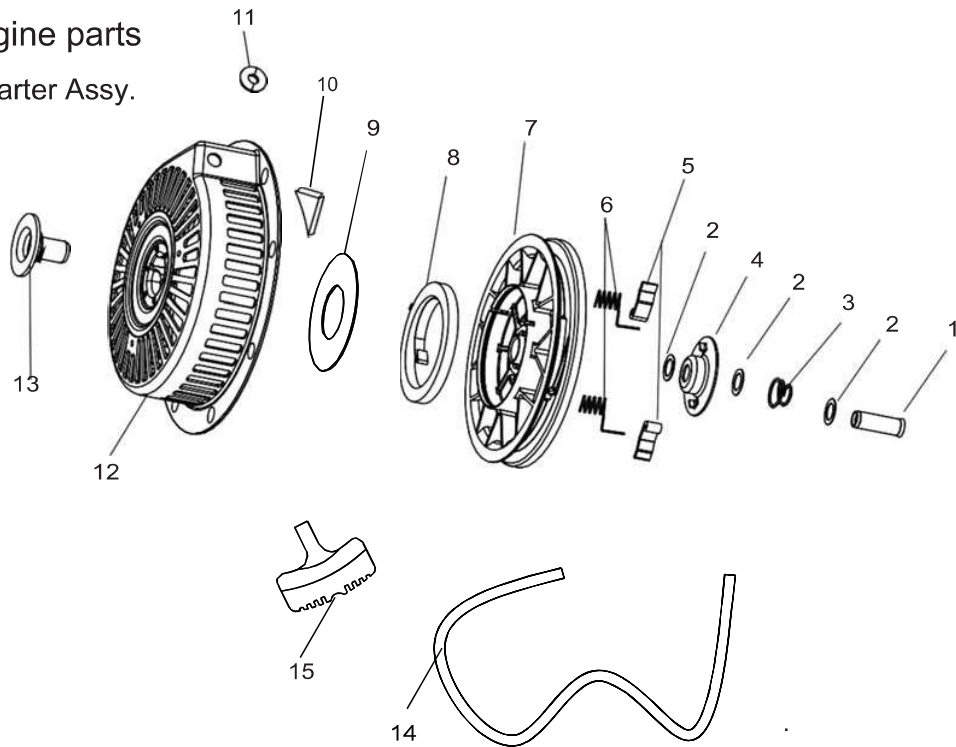
F

GPA Parts No.	LCT Parts No.	Description	QTY
GN12000-F-01	PGHD0475	ROCKER ARM PIN	2
GN12000-F-02	PGHD0515	ROCKER ARM(EX)	1
GN12000-F-03	PGHD0500	ROCKER ARM (IN)	1
GN12000-F-04	PGHD0351	ROD PUSH	2
GN12000-F-05	PGHD0225	EX. VALVE	1
GN12000-F-06	PGHD0125	IN. VALVE	1
GN12000-F-07	PGHD0025	VALVE LIFTER	2
GN12000-F-08	PGHD1900	CAMSHAFT	1
GN12000-F-09	PGH40150	VALVE SPRING RETAINER	2
GN12000-F-10	PGHD0100	VALVE SPRING	2

# 12000W Generator

LCT engine parts

Recoil Starter Assy.



GPA Parts No.	LCT Parts No.	Description	QTY
GN12000-G-01	PGH66038.1.1	ELASTIC CYLINDRICAL PIN	1
GN12000-G-02	PGH66038.1.2	WASHER $\varnothing 10$	3
GN12000-G-03	PGH66038.1.3	PRESSURE SPRING	1
GN12000-G-04	PGH66038.1.4	SPRING RETAINER	1
GN12000-G-05	PGH66038.1.5	STARTER RATCHET	2
GN12000-G-06	PGH66038.1.6	RETURN SPRING	2
GN12000-G-07	PGH66038.1.7	RECOIL STARTER ROPE	1
GN12000-G-08	PGH66038.1.8	RECOIL STARTER SPRING	1
GN12000-G-09	PGH66038.1.9	PRESSURE PLATE	1
GN12000-G-10	PGH66038.1.10	STOP ROP PLATE	1
GN12000-G-11	PGH66038.1.11	PROTECTIVE CAP	1
GN12000-G-12	PGH66038.1.12	RECOIL STARTER CASE COMP.	1
GN12000-G-13	PGH66038.1.13	CENTER SHAFT	1
GN12000-G-14	PGH66038.1.14	RECOIL ROPE	1
GN12000-G-15	PGH66038.1.15	STARTER KNOB	1



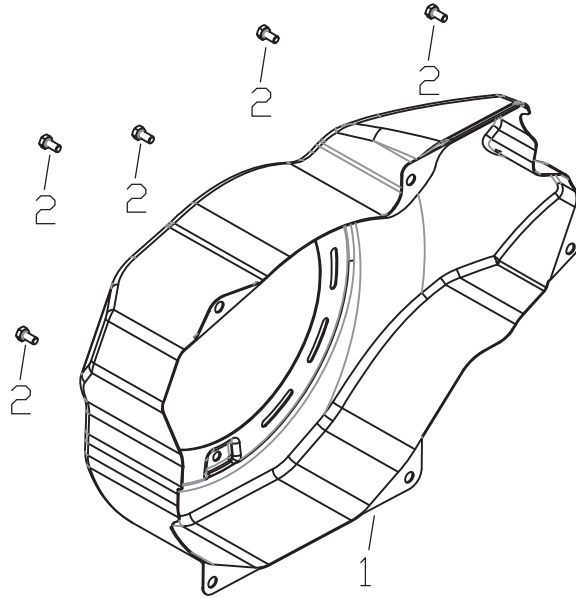
---

# 12000W Generator

---

LCT engine parts

Fan Cover Assy.



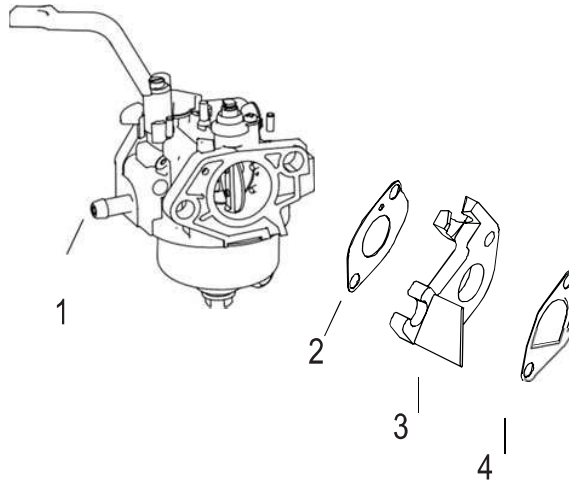
H

GPA Parts No.	LCT Parts No.	Description	QTY
GN12000-H-01	PGHD6100	FAN COVER COMP.	1
GN12000-H-02	PGS40003	FLANGE BOLT (M6 X 12)	5

# 12000W Generator

LCT engine parts

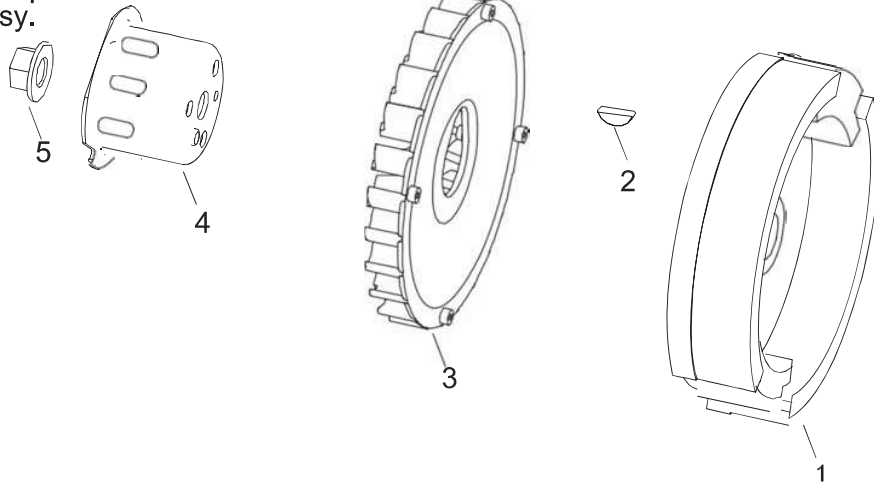
Carburetor Assy.



GPA Parts No.	LCT Parts No.	Description	QTY
GN12000-I-01	PGHD4060	CARBURETOR ASSY.	1
GN12000-I-02	PGH64127	CARBURETOR PAPER GASKET	1
GN12000-I-03	PGH64150	CARBURETOR INSULATING PLATE	1
GN12000-I-04	PGH64202	INTAKE PIPE GASKET	1

# 12000W Generator

LCT engine parts  
Flywheel Assy.

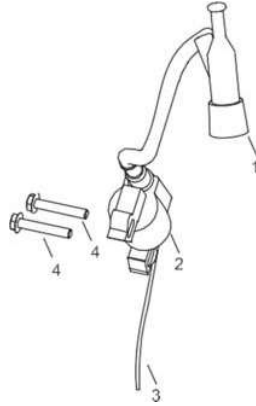


GPA Parts No.	LCT Parts No.	Description	QTY
GN12000-J-01	PGH62452	FLYWHEEL	1
GN12000-J-02	PGH42031	SPECIAL WOODRUFF KEY	1
GN12000-J-03	PGH62500	COOLING FAN	1
GN12000-J-04	PGH66128	STARTER PULLEY	1
GN12000-J-05	PGH62475	FLYWHEEL NUT (M16)	1

# 12000W Generator

LCT engine parts

Ignition System Assy.



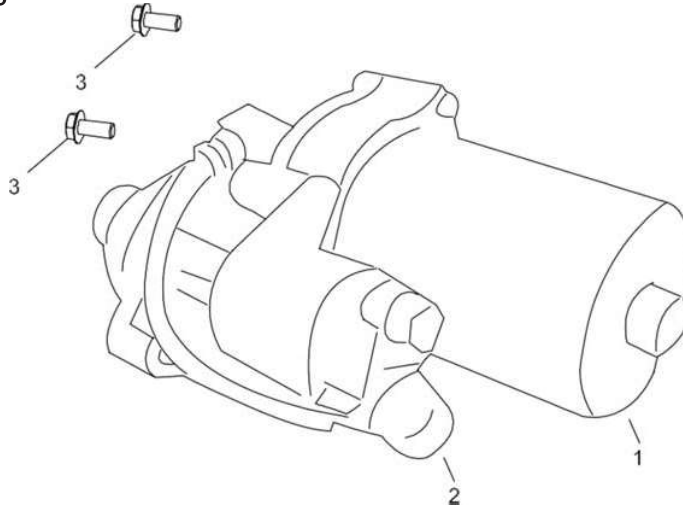
**K**

GPA Parts No.	LCT Parts No.	Description	QTY
GN12000-K-01	PGH64675.2-1	NOISE SUPPERSSOR CAP ASSY	1
GN12000-K-02	PGH64675.2-2	IGNITION COIL ASSY	1
GN12000-K-03	PGH64675.2-3	STOP SWITCH CORD	1
GN12000-K-04	BGS40009	FLANGE BOLT (M6 X 25)	1

# 12000W Generator

LCT engine parts

Starter Motor Assy.



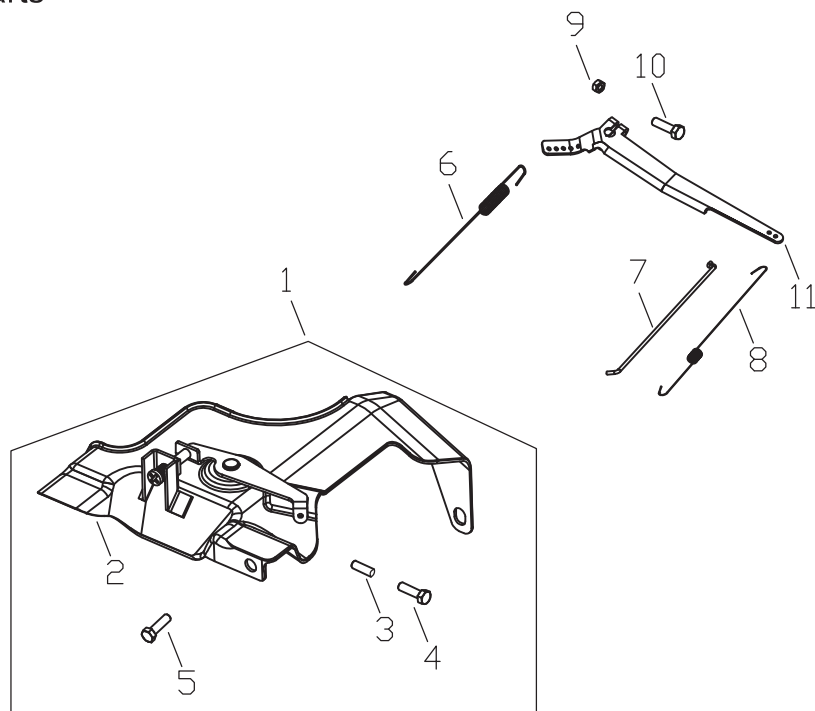
**L**

GPA Parts No.	LCT Parts No.	Description	QTY
GN12000-L-01	PGH64850	STARTER MOTOR	1
GN12000-L-02	PGH64850.1	SOLENOID	1
GN12000-L-03	PGH56875	FLANGE BOLT (M8×35)	2

# 12000W Generator

LCT engine parts

Control Assy.



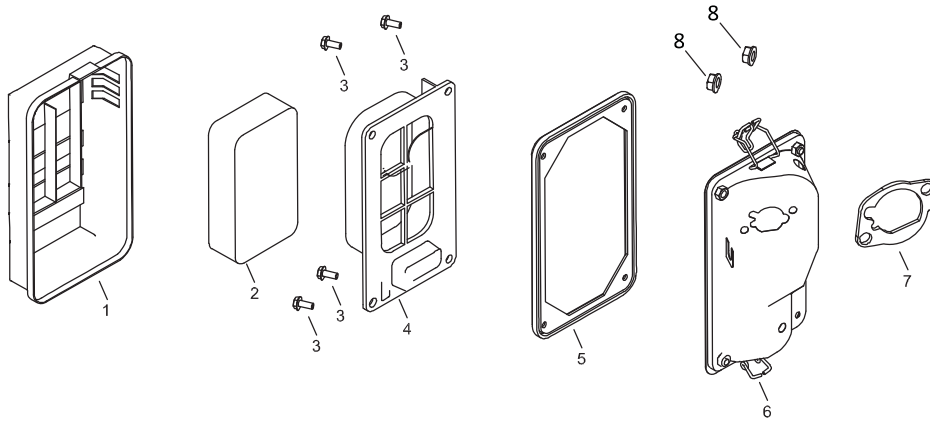
M

GPA Parts No.	LCT Parts No.	Description	QTY
GN12000-M-01	PGHD5086	CONTROL ASSY.	1
GN12000-M-02	PGHD5086.1	CONTROL BASE COMP.	1
GN12000-M-03	PGHD5086.2	CONTROL ADJUSTING SPRING	1
GN12000-M-04	PGHD5086.3	FLANGE BOLT	1
GN12000-M-05	PGS30007	FLANGE BOLT (M8 X 16)	1
GN12000-M-06	PGHD5150	THROTTLE RETURN SPRING	1
GN12000-M-07	PGH65450	GOVERNOR SPRING	1
GN12000-M-08	PGH65525	GOVERNOR ROD	1
GN12000-M-09	PGS20000	FLANGE NUT (M6)	1
GN12000-M-10	PGH45475	GOVERNOR ARM BOLT	1
GN12000-M-11	PGHD5077	CONTROL ARM	1

# 12000W Generator

## LCT engine parts

### Air Cleaner

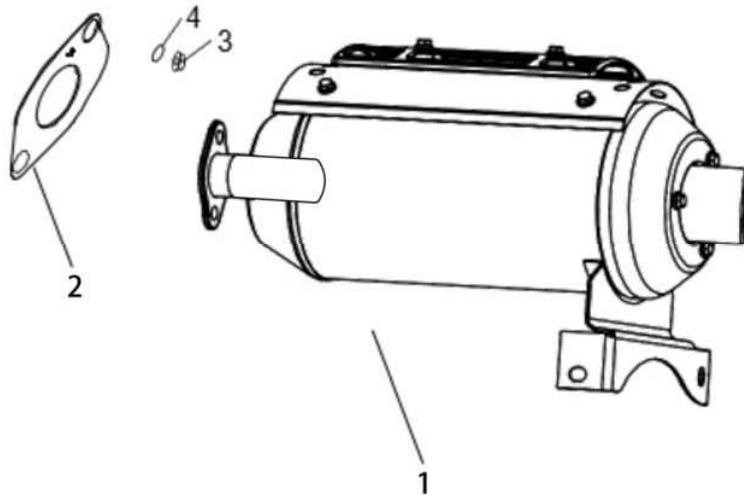


**N**

GPA Parts No.	LCT Parts No.	DESCRIPTION	Qty
GN12000-N-01	PGH62600	AIR CLEANER COVER COMP	1
GN12000-N-02	PGH62600.2-2	AIR CLEANER ELEMENT.	1
GN12000-N-03	PGS40003	HEX HEAD BOLT M6X12	4
GN12000-N-04	PGH62600.2-4	AIR CLEANER SEPARATOR	1
GN12000-N-05	PGH62600.2-5	AIR CLEANER SEAL	1
GN12000-N-06	PGH62600.2-1	AIR CLEANER CASE COMP	1
GN12000-N-07	PGH64150	GASKET	1
GN12000-N-08	PGS20000-M6	FLANGE NUT (M6)	2

# 12000W Generator

Equipment Parts excluded in LCT Engine  
Muffler System Assy.



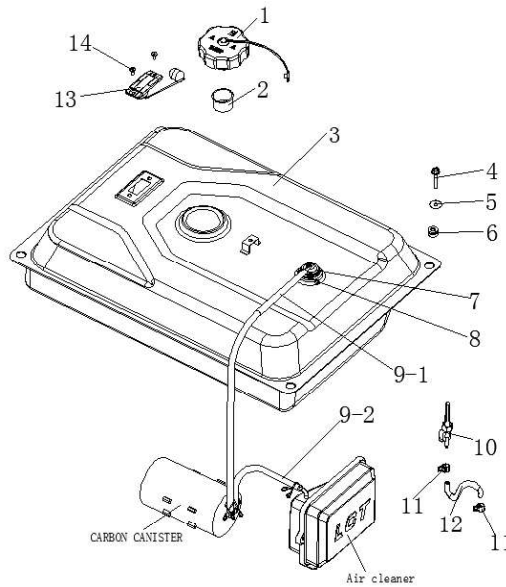
O

GPA Parts No	Factory Parts No	Description	QTY
GN12000-O-001	BGH30511	MUFFLER STAY COMP	1
GN12000-O-02	BGH92902	EXHAUST GASKET	1
GN12000-O-03	BGS10004	FLANGE NUT M8	2
GN12000-O-04	BGS60004	SPRING WASHER $\phi$ 8	2



# 12000W Generator

Equipment Parts excluded in LCT Engine  
Fuel tank system assy.

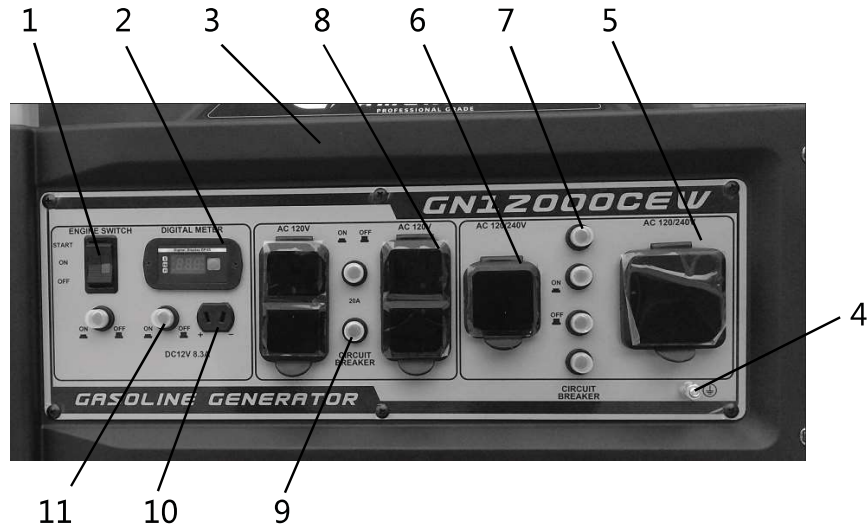


P

GPA Parts No	Factory Parts No	Description	QTY
GN12000-P-01	BGG21006.1.	FUEL FILLER CAP COMP	1
GN12000-P-02	BGG21519.1	FUEL FILLER	1
GN12000-P-03	BGG21519	FUEL TANK COMP.	1
GN12000-P-04	BGS40009	FLANGE BOLT(M6X25)	4
GN12000-P-05	BGG20503	WASHER	4
GN12000-P-06	BGH21519.2	RUBBER	4
GN12000-P-07	BGH64225	OVERFLOW VALVE	1
GN12000-P-08	BGH43582	TUBE CLIP A	4
GN12000-P-09-1	BGH63687	VAPOR HOSE	1
GN12000-P-09-2	BGH63687	VAPOR HOSE	1
GN12000-P-10	BGH43625	FUEL VAVLE	1
GN12000-P-11	PGH63575	TUBE CLIP C	2
GN12000-P-12	BGH60604	FUEL TUBE D	1
GN12000-P-13	BGH73801	OIL GAUGE	1
GN12000-P-14	BGH70036	CROSS SCREW M4x12	2

# 12000W Generator

Equipment Parts excluded in LCT Engine  
Control panel assy.

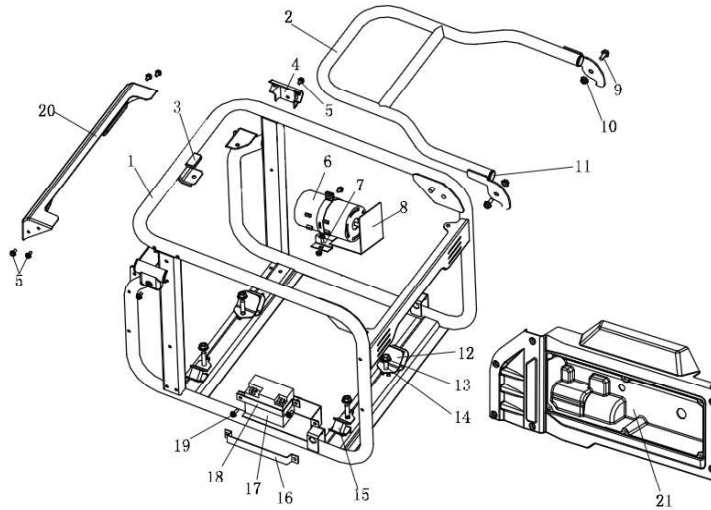


Q

GPA Parts No	Factory Parts No	Description	QTY
GN12000-Q-01	BGG50200	ENGINE SWITCH ASSY	1
GN12000-Q-02	BGG52950	HOURMETER	1
GN12000-Q-03	BGG50073	CONTROL PANEL COMP	1
GN12000-Q-04	BGG50705	EARTH TERMINAL	1
GN12000-Q-05	BGG53950	120/240V 50A RV NEMA 14-50R	1
GN12000-Q-06	BGG53400	120/240V 30A NEMA14-30 Receptacle	1
GN12000-Q-07	BGG52600	CIRCUIT BREAKER	4
GN12000-Q-08	BGG53350	120V 20A NEMA5-20 Receptacle	4
GN12000-Q-09	BGG52905	20A AC CIRCUIT PROTECTOR	2
GN12000-Q-10	BGG53650	DC 12V OUTPUT	1
GN12000-Q-11	BGG52100	DC CIRCUIT PROTECTOR	1

# 12000W Generator

Equipment Parts excluded in LCT Engine  
Frame Comp Assy.

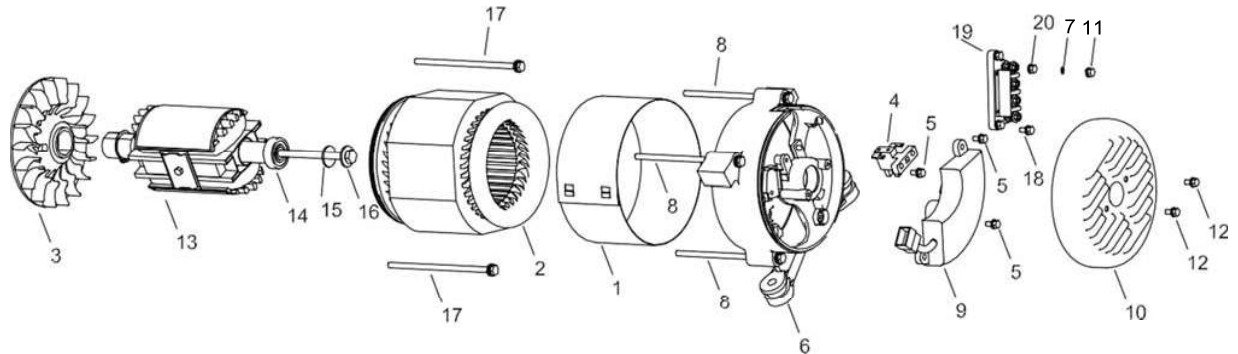


R

GPA Parts No	Factory Parts No	Description	QTY
GN12000-R-01	BGG41111	GENERATOR FRAME	1
GN12000-R-02	BGG42117	HANDLE	1
GN12000-R-03	BGG61049	HANDLE RUBBER PAD	1
GN12000-R-04	BGG61050	RUBBER DECORATIVE PLATE	2
GN12000-R-05	BGS40003	FLANGE BOLT(M6X12)	6
GN12000-R-06	BGH63651	CARBON CANISTER	1
GN12000-R-07	BGS20000	LOCKET M6	2
GN12000-R-08	BGH63652	CARBON CANISTER BRACKET	1
GN12000-R-09	BGS30007	FLANGE BOLT(M8X16)	2
GN12000-R-10	BGS20022	FLANGE NUT M8	2
GN12000-R-11	BGG30170	HANDLE RUBBER PIUG	2
GN12000-R-12	BGG61008	BOTTOM RUBBER B	2
GN12000-R-13	BGS20006	LOCKET M10	4
GN12000-R-14	BGS40032	FLANGE BOLT (M10X10)	4
GN12000-R-15	BGG61007	BOTTOM RUBBER A	2
GN12000-R-16	BGG42166	17Ah BATTERY LAYLER	1
GN12000-R-17	BGG60504	1. 6Ah LITHIUM BATTERY	1
GN12000-R-18	BGG42173	1. 6Ah BATTERY LAYLER	1
GN12000-R-19	BGS40066	FLANGE BOLT(M6X16)	2
GN12000-R-20	BGG22001	FUEL TANK TRIM PANEL	1
GN12000-R-21	BGG50131	CONTROL PANEL	1

# 12000W Generator

Equipment Parts excluded in LCT Engine  
Generator

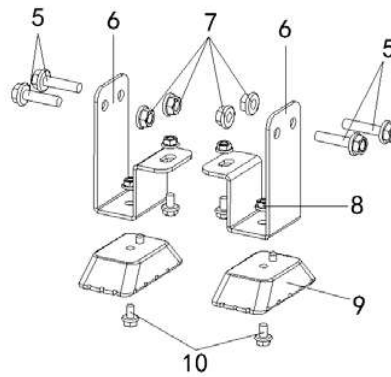
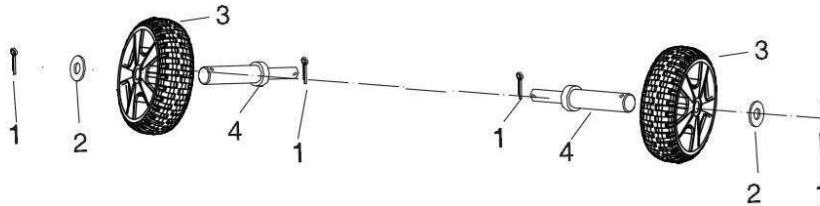


**S**

GPA Parts No	Factory Parts No	Description	QTY
GN12000-S-01	BGG12875.1	STATOR COVER	1
GN12000-S-02	BGG12875.2	STATOR ASSY	1
GN12000-S-03	BGG12875.3	COOLING FAN	1
GN12000-S-04	BGG13101	BRUSH ASSY	1
GN12000-S-05	BGS40078	TAPPING SCREW	8
GN12000-S-06	BGG13303	RR HOUSING	1
GN12000-S-07	BGS60000	SPRING WASHER(5mm)	4
GN12000-S-08	BGS14038	FLANGE BOLT(M6x197)	4
GN12000-S-09	BGG12505	AUTO VOLTAGE REG.ASSY	1
GN12000-S-10	BGG13007	GENERATOR COVER	1
GN12000-S-11	BGS40078	FLANGE BOLT (M6X12)	4
GN12000-S-12	BGS40078	FLANGE BOLT (M6X12)	2
GN12000-S-13	BGG12875.4	ROTOR COMP	1
GN12000-S-14	BGG12875.5	BEARING ASSY	1
GN12000-S-15	BGS60008	PLAIN WASHER	1
GN12000-S-16	BGG14029	FLANGE BOLT (M10X275)	1
GN12000-S-17	BGG14037	FLANGE BOLT (M5X230)	2
GN12000-S-18	BGG30039	HEX.BOLT (M5X20)	2
GN12000-S-19	BGG13101	VOLT CHANGE TERMINAL BR-AC-W	1
GN12000-S-20	BGS50001	PLAIN WASHER (5mm)	1

# 12000W Generator

Equipment Parts excluded in LCT Engine  
Wheel & Hand Assy.



**T**

GPA Parts No	Factory Parts No	Description	QTY
GN12000-T-01	BGS20006	COTTER PIN	4
GN12000-T-02	BGS20006.1.2	WASHER PLAIN	2
GN12000-T-03	BGS60648	WHEEL	2
GN12000-T-04	BGG42015	SHAFT	2
GN12000-T-05	BGS30014	FLANGE BOLT (M8*40)	4
GN12000-T-06	BGG42064	STANDER	2
GN12000-T-07	BGS20002	FLANGE NUT (M8)	4
GN12000-T-08	BGS20000	FLANGE NUT (M6)	4
GN12000-T-09	BGG61048	STANDER RUBBER PAD	2
GN12000-T-10	BGS40003	FLANGE BOLT(M6*12)	4

Distributed by:  
Green-Power America, LLC  
[www. Green-PowerAmerica.com](http://www.Green-PowerAmerica.com)  
All copyright © is reserved by Green-Power America, LLC