



We Power Your World!

Owner's Manual of Generator for

GN6500CW/GN6500CEW



Green-Power America, LLC

Products Service Information

Green-Power America LLC thanks you for choosing a Green-Power America LLC product.

Please register your product within 10 days of purchase to ensure that you receive optimal service. Always keep copy of your original receipt.

By registering your product, you are protected:

1. You have a record of the product purchase,
2. Customer Service can Better serve you on Warranty related issues,
3. Green Power America will be able to contact you in the unlikely event that a product recall notification is necessary.

You can register your product in one of two ways as follows:

Option 1: Go to the Green Power America website at www.green-poweramerica.com/service and follow the instructions to register online.

Option 2: Fill out the form on the Warranty Card included in the box, and return via standard mail to Green Power America at 840 9th Street Suite H, Upland CA 91786. Please note that postage is required to mail the registration form back to Green Power America.

If you still have any questions regarding the usage or operation of your generator after you have carefully read the manual, or if you have any quality issues during operation, please call our toll-free service number shown below:

888-834-4218

6500W Generator

Table of contents

Topic	Page
Limited Warranty	3
Specifications	7
Safety Guidelines	8
General Precautions	9
Battery	18
Assembly and Installation	19
Operation	22
Inspection, Cleaning, Maintenance and Storage	27
General Parts Listing	34



WARNING! READ AND UNDERSTAND ALL SAFETY PRECAUTIONS IN THIS MANUAL BEFORE OPERATION. FAILURE TO COMPLY WITH INSTRUCTIONS IN THIS MANUAL COULD RESULT IN PERSONAL INJURY, PROPERTY DAMAGE, AND/OR VOIDING OF YOUR WARRANTY. GREEN-POWER AMERICA, LLC (HEREINAFTER IN SHORT "GREEN-POWER" OR "GPA") WILL NOT BE LIABLE FOR ANY DAMAGE BECAUSE OF FAILURE TO FOLLOW THESE INSTRUCTIONS.

Owner's Manual

WARRANTY POLICY -- GENERATOR

Two(2)-YEAR LIMITED WARRANTY or One(1)-YEAR LIMITED WARRANTY

Green-Power America, LLC (GPA) provides Two(2)-Year or One(1)-Year (GPD1500 and GN1750D) limited factory warranty once consumers buy the generator from GPA or any of GPA partners in the United States.

1, Warranty Qualifications

Green-Power America, LLC (GPA) will register this warranty upon receipt of your Warranty Registration Card / Warranty Registration on Web and a copy of your sales receipt from one of GPA's retail locations as proof of purchase. GPA strongly recommend consumer keeps the purchasing receipt as a proof. Please submit your warranty registration and your proof of purchase within ten (10) days of the date of purchase.

2, Clarification of Two(2)-Year Limited Warranty or One(1)-Year Limited Warranty

- ✓ Two(2)-Year Limited Warranty: For household use, from the original date of purchase, the warranty is clocked and the parts and repairing labor will be free in the 1st year, and parts only will be free in the 2nd year.
If the product is used for commercial or industrial purpose, including but not limited to be used in commercial or industrial site, rental and any other types of income earning, the original Two(2)-Year Warranty will be expired and becomes Ninety(90) days instead, the parts will be free during this period.
- ✓ One(1)-Year Limited Warranty (Apply to GPD1500, GN1750D): For household use only, from the original date of purchase, the warranty is clocked and the parts will be free in the 1st year.
If the product is used for commercial or industrial purpose, including but not limited to be used in commercial or industrial site, rental and any other types of income earning, the original One(1)-Year Warranty will be expired and becomes Thirty(30) days instead, the parts will be free during this period.

6500W Generator

GPA will provide all parts for replacement in whole lifetime of the product, material cost and transportation cost will apply if it is beyond of warranty period or not covered by the warranty policy.

3, Repair/Replacement Warranty

GPA warrants to the original purchaser that the mechanical and electrical components will be free of defects in material and workmanship for a period of the 1st year from the original date of purchase for Two(2)-Year Warranty items household use. Parts are always free during warranty period. Transportation charges for the unit repair or replacement under this warranty will be sole responsibility of the consumer. This warranty only applies to the original purchaser only and is not transferable.

Contact GPA's Service Center and GPA will troubleshoot any issue via phone (Toll-Free: 888-834-4218) or e-mail (service@green-poweramerica.com). If the issue is not fixed, GPA will, at its option, authorize evaluation, repair or replacement of the defective parts or components at a GPA Service Center. GPA will provide you with a case number for warranty service. Please keep it for future reference. Repairs or replacements without prior authorization, or at an unauthorized repair facility, will not be covered by this warranty.

4, Return Policy and Procedure

✓ Defective Return

If the defective unit can not be repaired by the authorized repair center and the unit was within one (1) year, GPA will make a decision, on GPA sole options, either replace it with an equivalent or return it to GPA and consumer will get refund. The refund amount will be determined by the used time as below:

- Within thirty (30) days from the original purchasing date, full amount will be refunded.
- For Two(2)-Year Warranty items household use only, from thirty-one (31 days) but within one (1) year from the original purchasing date, the refund proportion will be determined by 100% minuses its actual using months divided by twelve (12).

Formula: Refund Proportion = $100\% - \text{number of used month} / 12 * 100\%$

✓ Remorse Return

If consumer wants to return due to consumer's mind changing or any other non-quality reason, which is called **Remorse Return**, and the unit is in its original packing condition or consumer opened the original package but never fill the fuel and/or oil into the unit,

Owner's Manual

and the unit could be repacked properly, within thirty (30) days from the original purchasing date, GPA will provide a Return Goods Authorization number (RGA #) to the retailer to accept the return for refund. Consumer will pay the return freight and 15% of the retail price (excluding tax) for re-stock fee. The consumer should contact the retailer with GPA's RGA# and will get remaining amount refunded after the return is received by GPA. The return address will be noted by GPA when the RGA# is provided.

Attention please:

Do Not Return The Unit To The Place Of Purchase even unless the retailer / distributor has a certain agreement with GPA in written.

All refund will be issued in terms of Credit Memo (CM) to the retailer/distributor, and the consumer will get refund from the original store.

5, Warranty Exclusions

This warranty does not cover the following repairs and equipment:

✓ Normal Wear and Tear

Products with mechanical and electrical components need periodic parts and service to perform well, including but not limited, filter elements, o-rings, spark plug, rubber mounts, etc. This warranty does not cover repair when normal use has exhausted the life of a part or the equipment as a whole.

✓ Installation, Use and Maintenance

--This warranty will not apply to parts and/or any labor of installation.

--This warranty will not apply to parts and/or any labor if the product is deemed to have been misused, neglected, involved in an accident, abused, loaded beyond the product's limits, modified, installed improperly or connected incorrectly to any electrical component.

--Normal maintenance is not covered by this warranty and is not required to be performed at a facility or by a person authorized by GPA.

* Except as otherwise stipulated in any of the following enclosed Emission Control System Warranties (if applicable) for the Emission Control System: U.S. Environment Protection Agency (EPA), California Air Resources Board (CARB) and/or Environment Canada (EC).

✓ Other Exclusions

This warranty excludes:

--Cosmetic defects such as paint, decals, etc.

--Accessory parts such as starting batteries, tools and storage covers.

6500W Generator

–Failures due to acts of God and other force majeure events which beyond the manufacturer's control.

–Problems caused by parts that are not original Green-Power America (GPA) parts.

When applicable, this warranty does not apply to products used for prime power in place of a utility.

6, Limits of Implied Warranty and Consequential Damage

Green-Power America (GPA) disclaims any obligation to cover any loss of time, freight, or any incidental or consequential claim by anyone due to using this generator. **THIS WARRANTY AND THE ATTACHED U.S. EPA, CARB and/or EC EMISSION CONTROL SYSTEM WARRANTIES (IF APPLICABLE) ARE IN LIEU OF ALL OTHER WARRANTIES, EXPRESS OR IMPLIED, INCLUDING WARRANTIES OF MERCHANTABILITY OR FITNESS FOR A PARTICULAR PURPOSE.**

A unit provided as a replacement will be subject to the warranty of the original unit. The length of the warranty governing the exchanged unit will remain calculated by reference to the purchase date of the original unit.

This warranty gives you certain legal rights which may change from State to State. Your State may also have other rights you may be entitled to that are not listed within this warranty.

Contact Information

www.green-poweramerica.com

Customer Service

Mon – Fri 8:00 AM – 5:00 PM (EST)

Toll Free: 1-888-834-4218

[Service Email: service@green-poweramerica.com](mailto:service@green-poweramerica.com)

Owner's Manual

Specifications

AC electrical

	GN6500CW	GN6500CEW
Current Output	22A	22A
Running Watts	5300W	5300W
Starting Watts	6500W	6500W
Outlet	Two 120V 20A NEMA 5-20 Receptacle One 120V 30A NEMA L5-30 Receptacle One 120/240V 30A NEMA L14-30 Receptacle	

DC electrical

Outlet	12V/8 3A
--------	----------

Gasoline engine

Type	4-cycle OHV air-cooled electricstart
Displacement	306CC
Oil capacity	341 fl oz or 1.16 Quart (US liquid)
Fuel grade	
EPA approved	yes

Fuel

Type	87+
Capacity	6.6gallons
Running time	11 hours (approx.) on 1/2 load

Lithium Ion Battery

Type	n/a	12V 1.6Ah
------	-----	-----------

Weight

Case Weight	158lbs	165lbs
-------------	--------	--------

Owner's Manual

Safety Guidelines – Definitions

This manual contains important information that you need to know and understand in order to protect YOUR SAFETY and to PREVENT EQUIPMENT PROBLEMS. The following symbols help you recognize this information. Please read the manual and pay attention to these sections.

Save These Important Safety Instructions!

Read and understand all of these safety instructions.
Be sure to retain them for future use.



WARNING! WARNINGS INDICATE A CERTAINTY OR STRONG POSSIBILITY OF PERSONAL INJURY OR DEATH IF INSTRUCTIONS ARE NOT FOLLOWED.



CAUTION: CAUTIONS INDICATE A POSSIBILITY OF EQUIPMENT DAMAGE IF INSTRUCTIONS ARE NOT FOLLOWED.



NOTE: NOTES GIVE HELPFUL INFORMATION



WARNING! IMPROPER OPERATION OR MAINTENANCE OF THIS PRODUCT COULD RESULT IN SERIOUS INJURY AND PROPERTY DAMAGE. READ AND UNDERSTAND ALL WARNINGS AND OPERATING INSTRUCTIONS BEFORE USING THIS EQUIPMENT. WHEN USING AIR TOOLS, BASIC SAFETY PRECAUTIONS SHOULD ALWAYS BE FOLLOWED TO REDUCE THE RISK OF PERSONAL INJURY.

6500W Generator

General Precautions



WARNING! FAILURE TO FOLLOW THESE INSTRUCTIONS CAN RESULT IN SEVERE INJURY OR DEATH.



CAUTION: FAILURE TO FOLLOW THESE INSTRUCTIONS CAN ALSO RESULT IN DAMAGE TO THE TOOL AND/OR THE ITEM YOU ARE WORKING ON.

DANGER

CARBON MONOXIDE



Using a generator indoors **WILL KILL YOU IN MINUTES.**

Generator exhaust contains high levels of carbon monoxide (CO), a poisonous gas you cannot see or smell. If you can smell the generator exhaust, you are breathing CO. But even if you cannot smell the exhaust, you could be breathing CO.

- **NEVER** use a generator inside homes, garages, crawlspaces, or other partly enclosed areas. Deadly levels of carbon monoxide can build up in these areas. Using a fan or opening windows and doors does **NOT** supply enough fresh air.
- **ONLY** use a generator outdoors and far away from open windows, doors, and vents. These openings can pull in generator exhaust.

Even when you use a generator correctly, CO may leak into the home. **ALWAYS** use a battery-powered or battery-backup CO alarm in the home.

If you start to feel sick, dizzy, or weak after the generator has been running, move to fresh air **RIGHT AWAY**. See a doctor. You could have carbon monoxide poisoning.



WARNING! THE EXHAUST CONTAINS POISONOUS CARBON MONOXIDE GAS THAT CAN CAUSE LOSS OF CONSCIOUSNESS AND MAY LEAD TO DEATH.

Gasoline and Oil



This product requires oil and fuel. Attempting to start the engine without oil will ruin the engine and void the warranty. Work in well ventilated area. Keep cigarettes, flames or sparks away from the work area or where gasoline is stored.



WARNING! GASOLINE IS EXTREMELY FLAMMABLE AND IS EXPLOSIVE UNDER CERTAIN CONDITIONS. KEEP OUT OF REACH OF CHILDREN.

- Gasoline fuel and fumes are flammable and potentially explosive. Use proper fuel storage and handling procedures. Always have multiple ABC class fire extinguishers nearby.
- Keep the generator and surrounding area clean at all times.

Owner's Manual

General Precautions (cont'd)

Gasoline and Oil (cont'd)

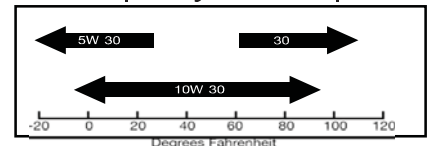
- Fuel or oil spills must be cleaned up immediately. Dispose of fluids and cleaning materials as per any local, state, or federal codes and regulations. Store oily rags in a covered metal container.
- Never store fuel or other flammable materials near the generator.
- Do not smoke, or allow sparks, flames or other sources of ignition around the engine and fuel tank. Fuel vapors are explosive.
- Keep grounded conductive objects, such as tools, away from exposed, live electrical parts and connections to avoid sparking or arcing. These events could ignite fumes or vapors.
- Do not refill the fuel tank while the engine is running or while the engine is still hot. Do not operate the generator with known leaks in the fuel system
- Excessive buildup of unburned fuel gases in the exhaust system can create a potentially explosive condition. This buildup can occur after repeated failed start attempts, valve testing, or hot engine shutdown. If this occurs, open exhaust system drain plugs, if equipped, and allow the gases to dissipate before attempting to restart the generator.
- Use only engine manufacturer recommended fuel and oil.

Fuel:

Fuel capacity is 6.6 US gallons (25 L). Use regular unleaded gasoline with a minimum octane rating of 90.

Oil:

Oil capacity is 1.15 qt(1.1 L)



Hot Components



WARNING! ENGINE AND EXHAUST SYSTEM PARTS BECOME VERY HOT AND REMAIN HOT FOR SOME TIME AFTER THE ENGINE IS RUN. WEAR INSULATED GLOVES OR WAIT UNTIL THE ENGINE AND EXHAUST SYSTEM HAVE COOLED BEFORE HANDLING THESE PARTS.

Power Output

This generator is not designed to power sensitive electronic equipment (including computers and medical devices) without the addition of an approved line conditioner, which is sold separately.



CAUTION: ATTEMPTING TO POWER SENSITIVE ELECTRONIC EQUIPMENT WITHOUT THE USE OF AN APPROVED LINE CONDITIONER MAY CAUSE DAMAGE TO THE EQUIPMENT. GREEN-POWER LLC IS NOT RESPONSIBLE FOR ANY DIRECT OR INDIRECT DAMAGE CAUSED BY FAILURE TO USE AN APPROVED LINE CONDITIONER.

6500W Generator

General Precautions (cont'd)

Work Area

- Keep your work area clean and well lit. Cluttered benches and dark areas invite accidents.
- Do not operate power tools in explosive atmospheres, such as in the presence of flammable liquids, gases, or dust. Generators create sparks which may ignite the dust or fumes.
- Keep bystanders, children, and visitors away while operating a generator. Provide barriers or shields as needed.

Electrical Safety

- Grounded tools must be plugged into an outlet properly installed and grounded in accordance with all codes and ordinances. Never remove the grounding prong or modify the plug in any way. Do not use any adapter plugs.
- Grounding provides a low-resistance path to carry electricity away from the user in the event of an electrical malfunction.
- Double insulated tools are equipped with a polarized plug where one blade is wider than the other. This plug fits in a polarized outlet only one way. If the plug does not fit fully in the outlet, reverse the plug. If it still does not fit, contact a qualified electrician to install a polarized outlet. Do not change the plug in any way. Double insulation eliminates the need for the three-wire grounded power cord and grounded power supply system.
- Avoid body contact with grounded surfaces such as pipes, radiators, ranges, and refrigerators. There is an increased risk of electric shock if your body is grounded.
- Do not expose generator to rain or wet conditions. Water entering a generator will increase the risk of electric shock.
- Do not abuse the power cord. Keep power cords away from heat, oil, sharp edges, or moving parts. Replace damaged power cords immediately. Damaged power cords increase the risk of electric shock.
- When operating a power tool outside, use an outdoor extension cord marked "W-A" or "W". These extension cords are rated for outdoor use, and reduce the risk of electric shock.



Owner's Manual

General Precautions (cont'd)

Electrical Safety (cont'd)

- All connections and conduits from the generator to the load must only be installed by trained and licensed electricians, and in compliance with all relevant local, state, and federal electrical codes and standards, and other regulations where applicable.
- The generator must be earth-grounded for fixed installations in accordance with all relevant electrical codes and standards before operation.
- Do not attempt to connect or disconnect load connections while standing in water, or on wet or soggy ground.
- Do not touch electrically energized parts of the generator and interconnecting cables or conductors with any part of the body, or with any non-insulated conductive object.
- Connect the generator only to a load or electrical system (120 volt) that is compatible with the electrical characteristics and rated capacities of the generator.
- Before servicing equipment powered by the generator, disconnect the equipment from its power input.
- Keep all electrical equipment clean and dry. Replace any wiring where the insulation is cracked, cut abraded or otherwise degraded. Replace terminals that are worn, discolored, or corroded. Keep terminals clean and tight.
- Insulate all connections and disconnected wires.
- Guard against electric shock. Prevent body contact with grounded surfaces such as pipes, radiators, ranges, and refrigerator enclosures.

Personal Safety

- Stay alert. Watch what you are doing, and use common sense when operating a generator. Do not use generator while tired or under the influence of drugs, alcohol, or medication. A moment of inattention while operating generators may result in serious personal injury.
- Dress properly. Do not wear loose clothing or jewelry. Contain long hair. Keep your hair, clothing, and gloves away from moving parts. Loose clothes, jewelry, or long hair can be caught in moving parts.

6500W Generator

General Precautions (cont'd)

Personal Safety (cont'd)

- Avoid accidental starting. Make sure the power switch is in its "OFF" position, and disconnect the spark plug wire when not in use.
- Remove adjusting keys or wrenches before turning the generator on. A wrench or a key that is left attached to a rotating part of the generator may result in personal injury.
- Do not overreach. Keep proper footing and balance at all times.
- Use safety equipment. Always wear eye protection. Wear ANSI approved safety impact eye goggles. Dust mask, non-skid safety shoes, hard hat, or hearing protection must be used for appropriate conditions.
- Do not force the generator. Use the correct generator for your application. The correct generator will do the job better and safer at the rate for which it is designed.
- Do not use the generator if the power switch does not turn it on or off. Any generator that cannot be controlled with the power switch is dangerous and must be replaced.

Generator Use and Care

Make sure the power switch is in its "OFF" position and disconnect the spark plug wire before making any adjustment, changing accessories, or storing the generator. Such preventive safety measures reduce the risk of starting the generator accidentally.

Store idle generators out of reach of children and other untrained persons. Generators are dangerous in the hands of untrained users.

Maintain generators with care. Do not use damaged generator. Tag damaged generators "Do not use" until repaired.

Check for misalignment or binding of moving parts, breakage of parts, and any other condition that may affect the generator's operation. If damaged, have the generator serviced before using. Many accidents are caused by poorly maintained generators.

Use only accessories that are recommended by the manufacturer for your model. Accessories that may be suitable for one generator may become hazardous when used on another generator.

General Precautions (cont'd)

Servicing

Maintain labels and name plates on the generator and engine. These carry important information. If unreadable or missing, contact our service center toll free immediately for a replacement.

Generator service must be performed only qualified repair personnel. Service or maintenance performed by unqualified personnel could result in a risk of injury.

When servicing a generator, use only identical replacement parts. Follow all appropriate instructions in this manual. Use of unauthorized parts or failure to follow maintenance instructions may create a risk of electric shock or injury.

Heart Pacemakers



WARNING! PEOPLE WITH PACEMAKERS SHOULD CONSULT THEIR PHYSICIAN(S) BEFORE USING THIS PRODUCT. ELECTROMAGNETIC FIELDS IN CLOSE PROXIMITY TO A HEART PACEMAKER COULD CAUSE INTERFERENCE TO OR FAILURE OF THE PACEMAKER.

Installation

- If a transfer switch is installed, ensure installation meets all applicable safety, and local and national electrical codes. Have installation performed by a qualified, licensed electrician and building contractor.
- All electrical work, including the earth-ground connection, should be completed by a licensed electrician.
- Any separate fuel storage or generator supply facility must be built or installed in full compliance with all relevant local, state, and federal regulations.

6500W Generator

General Precautions (cont'd)

Installation (cont'd)

- If the generator is installed outdoors, it must be weatherproofed and should be soundproofed. It should not be run outdoors without protection to the generator and wiring conduit.
- The generator might weigh over 100 lbs, Two or more people should assist when moving or lifting this product. Never lift the generator using the engine or alternator lifting lugs. Connect lifting equipment to the frame of the generator
- Before lifting the generator, ensure the lift rigging and supporting structure are in good condition, and are rated to lift such a load.
- Keep all personnel away from the suspended generator during relocating.
- The supporting floor/ground surface should be level and strong enough to safely hold the weight of the generator. If the floor/grounded surface is not level, strong cross members should be placed under the full length of the generator frame at its low side.
- For trailer installation, the generator should be mounted on the center point of the trailer, over the wheels. The trailer must be capable of supporting the weight of the generator and all contents (tools, etc.)
- Install sound-and weather-proofing only when it is not raining or snowing to avoid trapping moisture within the generator's area.

Mechanical

- Always make sure the power switch is in its "OFF" position. Disconnect the spark plug wire, and allow the engine to completely cool before carrying out maintenance.
- Check for damaged parts. Before using the generator, any part that appears damaged should be carefully checked to determine that it will operate properly and perform its intended function. Check for alignment and binding of moving parts, any broken parts or mounting fixtures, and any other condition that may affect proper operation technician.
- The generator is designed with guards for protection from moving parts. In any case, care must still be taken to protect personnel and equipment from other mechanical hazards when working around the generator.

General Precautions (cont'd)

Mechanical (cont'd)

- Do not operate the generator with safety guards removed. While the generator is running, do not attempt to reach around the safety guard for maintenance or any other reason.
- Keep hands, arms, long hair, loose clothing, and jewelry away from moving parts. Be aware that when engine parts are moving fast they cannot be seen clearly.
- Keep access doors on enclosures closed and locked when access is not required.
- When working on or around the generator always wear protective clothing including ANSI approved safety gloves, safety eye goggles, and safety hat.
- Do not alter or adjust any part of the generator that is assembled and supplied by the manufacturer.
- Always follow and complete scheduled engine and generator maintenance.

Chemicals

- Avoid contact with hot fuel, oil, exhaust fumes, and hot solid surfaces.
- Avoid body contact with fuels, oils, and lubricants used in the generator. If swallowed, seek medical treatment immediately. Do not induce vomiting if fuel is swallowed. For skin contact, immediately wash with soap and water. For eye contact, immediately flush eyes with clean water and seek medical attention.

Noise

- Prolonged exposure to noise levels above 68 DBA is hazardous to hearing. Always wear ANSI approved ear protection when operating or working around the generator when it is running.

6500W Generator

General Precautions (cont'd)

Extension Cord

If an extension cord (not included) is used, make sure to use only UL approved cords having the correct gauge and length according to the following table:

Nameplate Amps (@ full load)	Cord Lengths			
	0 ft.- 50 ft.	50 ft.-100 ft.	100 ft.-150 ft.	150 ft.-200 ft.
0 - 5	16AWG	16AWG	12AWG	12 AWG
5.1 - 8	16AWG	14AWG	10AWG	-
8.1 - 12	14AWG	12 AWG	-	-
12.1 - 15	12AWG	10 AWG	-	-
15 - 20	10AWG	10 AWG	-	-

Owner's Manual

Battery

If the generator is equipped with electric start system, you need to install the battery properly, which may not be provided. The regular battery should be Pb-acid AGM battery with following specifications: Voltage 12V. Lead-acid battery with 17AH, or 12V Li-battery with 1.6AH respectively.

First, install battery onto the frame securely with provided accessories. Connect the wires to the electrical motor positive electrode and battery positive electrode, electrical motor negative and battery negative electrode respectively.



During connection, DO NOT touch battery's positive electrode and negative electrode directly.

Caution: Connecting or touching the Battery's positive electrode and negative electrode directly may cause battery burning and cause damage to the equipment or even more serious accident!

6500W Generator

Assembly and Installation

Unpacking

1. Remove the generator and loose parts box from the carton.
2. Compare the Hardware Kit included with the inventory list below.

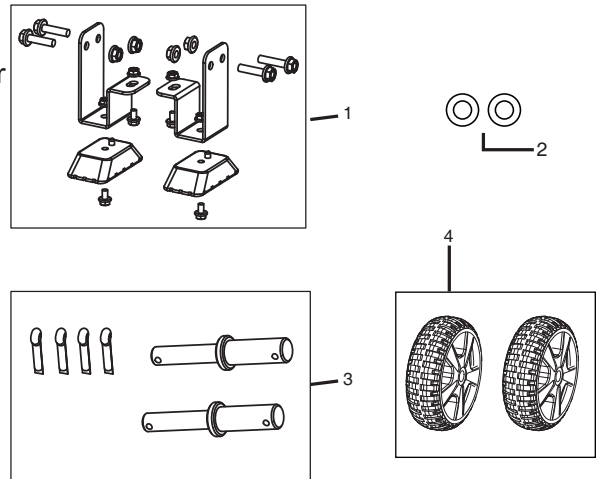
Loose Parts (Wheel kit and handle)

Check all loose parts against the following list. Contact your dealer toll free at 888.834.4218 if any of the loose parts shown are not included with your generator

Hardware Check:

Your Hardware Kit should include:

- 1) Two support frames with bolts and nuts
- 2) Two washers
- 3) Two axle shaft with nuts
- 4) Two wheels



INSTALLING FEET TO FRAME

1. Place generator on a flat surface.
2. Place a piece of cardboard or other soft material to tip the generator onto, to protect the frame paint and prevent the generator from sliding. Tip the generator onto the side.
3. Install the support foot to the frame using M8 flange bolts.

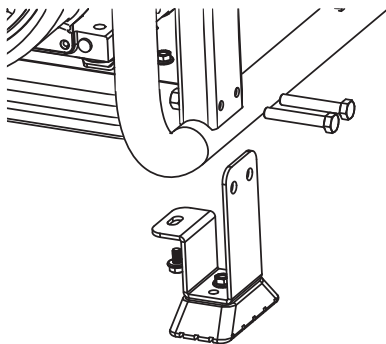


Figure 1 -support Assembly

INSTALLING WHEELS TO FRAME

1. Insert axle to the frame, and install the pin to lock it in place.
2. Install the wheel through the axle, then install the gasket and pin to lock it in place.
3. Repeat previous steps on other wheel.

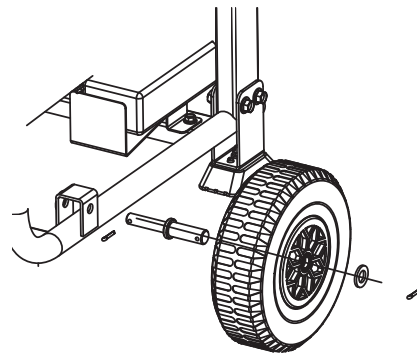


Figure 2 -Wheel Assembly

Owner's Manual

Installation



NOTE: PRIOR TO POWERING TOOLS AND EQUIPMENT MAKE SURE THE GENERATOR'S RATED VOLTAGE, WATTAGE AND AMPERAGE CAPACITY IS ADEQUATE TO SUPPLY ALL ELECTRICAL LOADS THAT THE UNIT WILL POWER. IF POWERING EXCEEDS THE GENERATOR'S CAPACITY, IT MAY BE NECESSARY TO GROUP ONE OR MORE OF THE TOOLS AND/OR EQUIPMENT FOR CONNECTION TO A SEPARATE GENERATOR.

Electrical and other permits may be required for the installation of emergency power systems. Investigate your local building and electrical codes before installing this unit. Installation must be completed by licensed contractors.



WARNING! THE GENERATOR WEIGHS APPROXIMATELY OVER 100 POUNDS. USE CARE AND THE PROPER LIFTING OR HOISTING EQUIPMENT WHEN MOVING IT TO THE INSTALLATION LOCATION. ALWAYS CONNECT HOIST LINES TO THE FRAME OF THE GENERATOR.

General Location

- Make sure to locate and install the generator outdoors where cooling air is readily available.
- Install the generator so that the air inlets and outlets are not blocked by obstructions such as bushes, trees, or snow drifts. Locating it in the path of heavy winds or snowdrifts may require the placement of a barrier for protection. In normal weather conditions, the air vent should face the prevailing wind direction.
- Install the generator on a concrete slab or other area where rain drainage or flood waters can not reach it.
- Generator placement should allow four feet of access to all sides for maintenance.
- Place the generator as close as possible to the electrical tools and equipment being powered to reduce the length of extension cords.

6500W Generator

Installation (cont'd)

Supporting and Mounting

Mount the generator on a concrete slab capable of supporting the weight of the generator. The slab must extend on all sides beyond the frame by at least one foot. Contact a cement contractor for slab specifications if necessary. Attach the frame to the concrete slab using 3/8" diameter expansion anchor bolts (not supplied).

Grounding



NOTE: IT IS RECOMMENDED THAT ONLY A TRAINED AND LICENSED ELECTRICIAN PERFORM THIS PROCEDURE

Connect a #6 AWG grounding wire (not included) from the ground connector (8) on the generator to a grounding rod (not included) that has been driven at least 24 inches deep into the earth. The grounding rod must be an earth-driven copper or brass rod (electrode) which can adequately ground the generator.



Product Image for Reference only

Owner's Manual

Operation

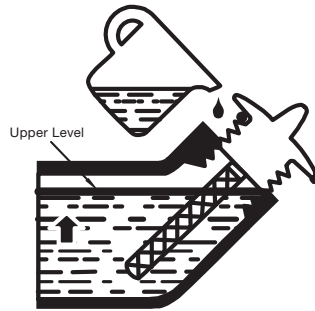


NOTE: THE PARTS LISTED ABOVE ARE HELPFUL FOR LOCATING THE CONTROLS MENTIONED BELOW.

Before Starting the Generator

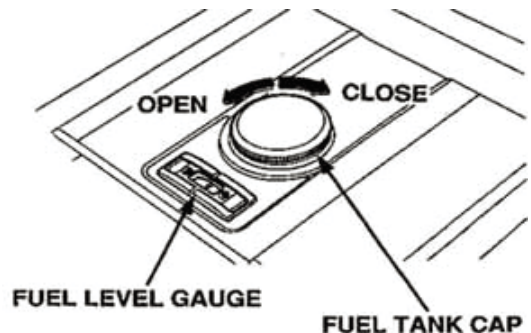


CAUTION: PRIOR TO FIRST USING THE GENERATOR, THE ENGINE MUST BE FILLED WITH HIGH QUALITY SAE 10W-30 GRADE ENGINE OIL. TO DO SO, UNSCREW AND REMOVE THE ENGINE'S OIL DIPSTICK LOCATED AT THE BOTTOM OF THE ENGINE CRANKCASE. FILL THE ENGINE CRANKCASE UNTIL THE OIL LEVEL IS LEVEL WITH THE UPPER MARKED LINE ON THE DIPSTICK. THEN SCREW THE DIPSTICK BACK INTO THE OIL FILL HOLE.



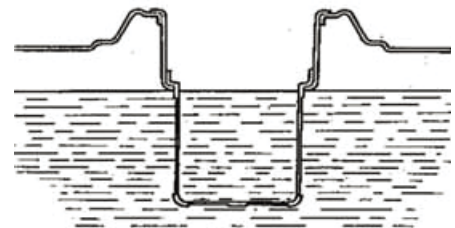
1. Check that the engine power switch is in its "OFF" position.
2. Before the first use, remove the fuel tank cap and fill the fuel tank with unleaded gasoline. When fueling, be sure that the fuel strainer is in place. Replace the fuel tank cap. Thereafter, check the engine's fuel gauge for the amount of unleaded gasoline in the fuel tank. If necessary, refill the fuel tank with unleaded gasoline; the generator must be turned off and cooled down before refilling the fuel tank.

Fuel tank capacity: 25.0L (6.6 gallons)



WARNING!

Use gasoline with a pump octane rating of 87+ or higher. We recommend unleaded gasoline because it produces fewer engine and spark plug deposits and extends exhaust system life. Never use stale or contaminated gasoline or oil/gasoline mixture. Avoid getting dirt or water in the fuel tank.



6500W Generator

Operation (cont'd)

Starting

1. Turn the engine switch to the ON position.

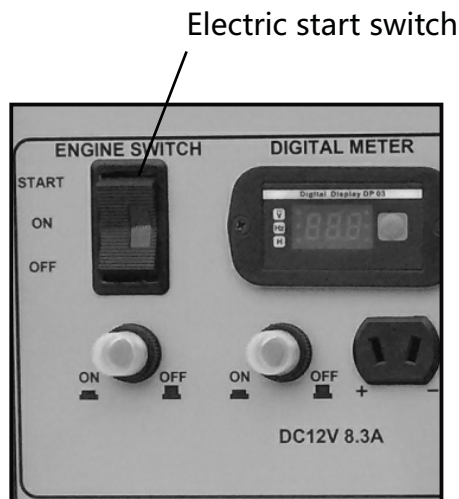
The engine switch enables and disables the ignition system.

OFF: To stop the engine

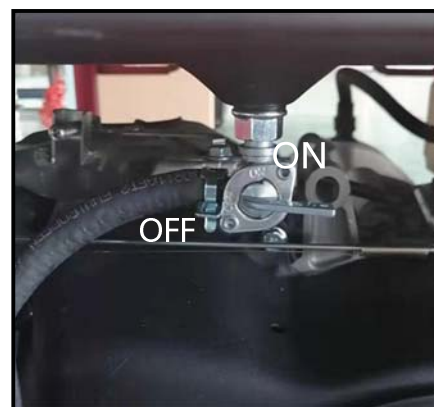
ON: To run the engine



Recoil start switch



2. The fuel valve is located under the fuel tank.
When the valve lever is in the ON position, fuel is allowed to flow from the fuel tank to the carburetor. Be sure to return the fuel valve lever to the OFF position after stopping the engine.



3. To start a cold engine, move the choke lever to the CLOSED position. To restart a warm engine, leave the choke lever in the OPEN position.

The choke lever opens and closes the choke valve in the carburetor.

The CLOSED position enriches the fuel mixture from starting a cold engine.

The OPEN position provides the correct fuel mixture for operation after starting, and for restarting a warm engine.



Choke Lever

Owner's Manual

Operation (cont'd)

Starting

4. Operate the Recoil Starter:

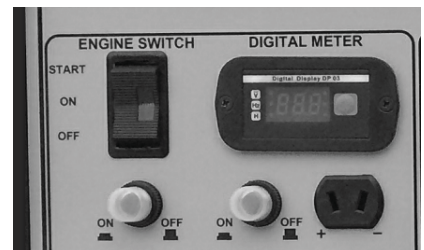
Pull the starter grip lightly until you feel resistance, then pull briskly. Return the starter grip gently.

Pulling the starter grip operates the recoil starter to crank the engine

Operate the Electric start:

Push and hold the engine switch on the "START" position for 3~5s and crank the engine.

5. If the choke has been moved to the CLOSED position to start the engine, gradually move it to the OPEN position as the engine warms up.

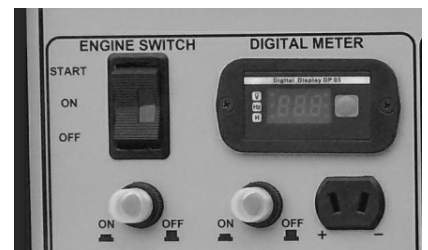


Stopping Engine

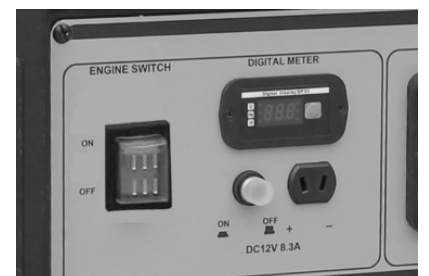
1. Turn the engine switch to the OFF position.

2. Turn the fuel valve lever to the OFF position.

When the engine is not in use, leave the fuel valve in the OFF position to prevent carburetor flooding and to reduce the possibility of fuel leakage.



Electric start



Recoil start

6500W Generator

Operation (cont'd)

Powering 120/240 Volt AC Tools And Equipment:

1. Prior to powering tools and equipment, make sure the generator's rated voltage, and amperage capacity is adequate to supply all electrical loads that the unit will power. If powering exceeds the generator's capacity, it may be necessary to group one or more of the tools and/or equipment for connection to a separate generator.



CAUTION: ATTEMPTING TO POWER SENSITIVE ELECTRONIC EQUIPMENT WITHOUT THE USE OF AN APPROVED LINE CONDITIONER MAY CAUSE DAMAGE TO THE EQUIPMENT. GREEN-POWER LLC IS NOT RESPONSIBLE FOR ANY DIRECT OR INDIRECT DAMAGE CAUSED BY FAILURE TO USE AN APPROVED LINE CONDITIONER.

2. Once the generator is running, simply connect the power cords of 120/240volt AC powered tools and equipment into the 120/240volt AC dual outlets.



NOTE: THE GENERATOR FEATURES AN AC NON-FUSE THERMAL PROTECTOR TO PROTECT THE AC CIRCUIT IN CASE OF AN OVERLOAD. SHOULD AN OVERLOAD OCCUR, THE BREAKER WILL POP.

3. Disconnect all electrical powered tools and equipment from the generator's 120/240 volt AC dual outlets.
4. After the engine and generator have completely cooled, store generator in a safe, clean, dry location (if not already installed)

Owner's Manual

Operation (cont'd)

Powering 12 Volt DC tools and Equipment:

1. Prior to powering tools and equipment, make sure the generator's rated voltage, and amperage capacity (12V DC) is adequate to supply all electrical loads that the unit will power. If powering exceeds the generator's capacity, it may be necessary to group one or more of the tools and/or equipment for connection to a separate generator.
2. Connect the power cord of a 12 VDC powered tool or equipment to the DC Terminals.



CAUTION: MAKE SURE TO CONNECT THE POSITIVE (+) LEAD OF THE POWER CORD TO THE POSITIVE (+) TERMINAL ON THE GENERATOR, AND CONNECT THE NEGATIVE (-) LEAD OF THE POWER CORD TO THE NEGATIVE (-) TERMINAL ON THE GENERATOR.

THE 12V DC IS FOR BATTERY CHARGING ONLY.

6500W Generator

Inspection, Cleaning, and Maintenance



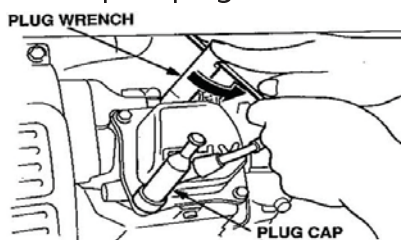
WARNING! ALWAYS MAKE SURE THE ENGINE POWER SWITCH IS IN ITS “OFF” POSITION. DISCONNECT THE SPARK PLUG WIRE FROM THE ENGINE. AND ALLOW SUFFICIENT TIME FOR THE ENGINE AND GENERATOR TO COMPLETELY COOL BEFORE PERFORMING ANY INSPECTIONS, MAINTENANCE, OR CLEANING.

Spark Plug Maintenance

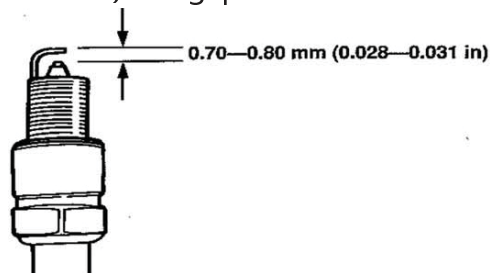
In order to service the spark plug, you will need a spark plug wrench (commercially available). Recommended spark plugs: TORCH F6RTC but we recommend our OEM spark plug.

To ensure proper engine operation, the spark plug must be properly gapped and free of deposits.

1. Remove the spark plug cap.
2. Clean any dirt from around the spark plug base.
3. Use a spark plug wrench to remove the spark plug.



4. Visually inspect the spark plug. Discard it if the insulator is cracked or chipped. Clean the spark plug with a wire brush if it is to be reused.
5. Measure the plug gap with a feeler gauge. (Correct as necessary by carefully bending the side electrode.) The gap should be : 0.70-0.80 mm (0.028-0.031in)



6. Check that the spark plug washer is in good condition.
7. After the spark plug is seated, tighten with a spark plug in by hand to prevent cross-threading.
8. After the spark plug is seated, tighten with a spark plug wrench to compress the washer.



NOTE: THE SPARK PLUG MUST BE SECURELY TIGHTENED. AN IMPROPERLY TIGHTENED SPARK PLUG CAN BECOME VERY HOT AND COULD DAMAGE THE ENGINE. NEVER USE SPARK PLUGS WHICH HAVE AN IMPROPER HEAT RANGE. USE ONLY RECOMMENDED SPARK PLUS OR EQUIVALENT.

Owner's Manual

Maintenance Guide

Periodic maintenance and adjustment is necessary to keep the generator in good operating condition.

WARNING! Exhaust gas contains poisonous carbon monoxide. Shut off the engine before performing any maintenance. If the engine must be run, make sure the areas is well ventilated.

- Before each use, inspect the generator. Check for:
 - Loose screws
 - Misaligned or binding moving parts
 - Cracked or broken parts
 - Damaged electrical wiring
 - Any other condition that may affect safe operation.
- If an engine problem occurs, have it checked by a qualified service technician before further use. Do not use damaged equipment.
- Before each use, make sure the engine's oil and gas levels are adequate. If necessary, fill the crankcase until the oil level is even with the oil fill hole and/or fill the fuel tank.
- Before each use, remove all debris with a soft brush, rag, or vacuum.
- Lubricate all moving parts using a premium quality, lightweight machine oil.
- Every 50 hours of use, drain the old engine oil and replace with a high quality SAE 10W-30 grade engine oil.
- Every 300 hours of use, have a qualified, certified technician perform thorough maintenance on the generator and engine.
- For long term storage, either drain fuel into suitable container or add a fuel preservative/ stabilizer (not included) to prevent fuel breakdown.

6500W Generator

Air cleaner Maintenance

A dirty air cleaner will restrict air flow to the carburetor. Lower generator output power and deteriorate the engine emission to prevent carburetor malfunction, service the air cleaner regularly. Service more frequently when operating the generator in extremely dusty areas.

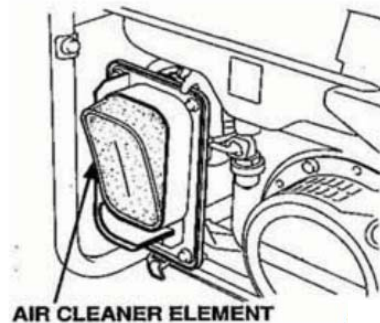
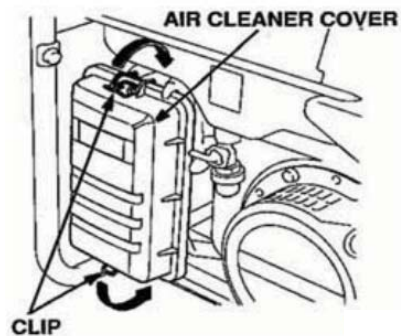


WARNING! Using gasoline or flammable solvent to clean the filter element can cause a fire or explosion. Use only soapy water or nonflammable solvent.



NOTE: Never run the generator without the air cleaner. Rapid engine wear will result.

1. Unsnap the air cleaner cover clips, remove the air cleaner cover, and remove the element.
2. Wash the element in a solution of household detergent and warm water, then rinse thoroughly, or wash in nonflammable or high flash point solvent. Allow the element to dry thoroughly.
3. Soak the element in clean engine oil and squeeze out the excess oil. The engine will smoke during initial start-up if too much oil is left in the element.
4. Reinstall the air cleaner element and the cover.



Owner's Manual

Transporting/Storage

When transporting the generator, turn the engine switch and the fuel valve OFF. Keep the generator level to prevent fuel spillage. Draining the fuel tank and carburetor.



WARNING! Contact with a hot engine or exhaust system can cause serious burn or fires. Let the engine cool before transporting or storing the generator.

Take care not to drop or strike the generator when transporting. Do not place heavy objects on the generator.

Before storing the unit for an extended period:

1. Be sure the storage area is free of excessive humidity and dust.
2. Service according to the table below:

STORAGE TIME	RECOMMENDED SERVICE PROCEDURE TO PREVENT HARD STARTING
Less than 1 month	No preparation required
1 to 2 months	Fill with fresh gasoline and add gasoline conditioner.
2 months to 1 year	Fill with fresh gasoline and add gasoline conditioner Drain the carburetor float bowl. Drain the fuel sediment cup.
1 year or more	Fill with fresh gasoline and add gasoline conditioner Drain the carburetor float bowl. Drain the fuel sediment cup. Remove the spark plug. Put a tablespoon of engine oil into the cylinder Turn the engine slowly with the pull rope to distribute the oil. Reinstall the spark plug. Change the engine oil. After removed from storage, drain the stored gasoline into a suitable container, and fill with fresh gasoline before starting.

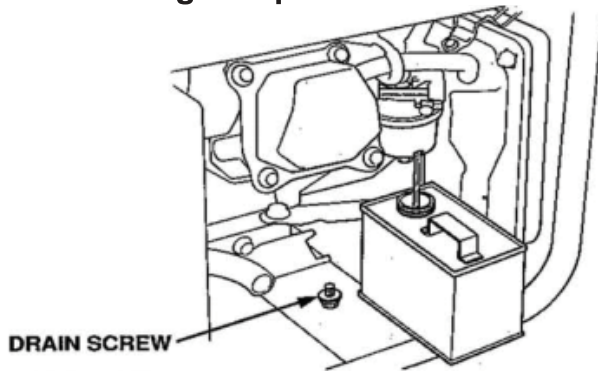
6500W Generator

Transporting/Storage

1. Drain the carburetor by loosening the drain screw. Drain the gasoline into a suitable container.

WARNING

Gasoline is extremely flammable and is explosive under certain conditions. Perform in a well ventilated area with the engine stopped. Do not smoke or allow flames or sparks in the area during this procedure.

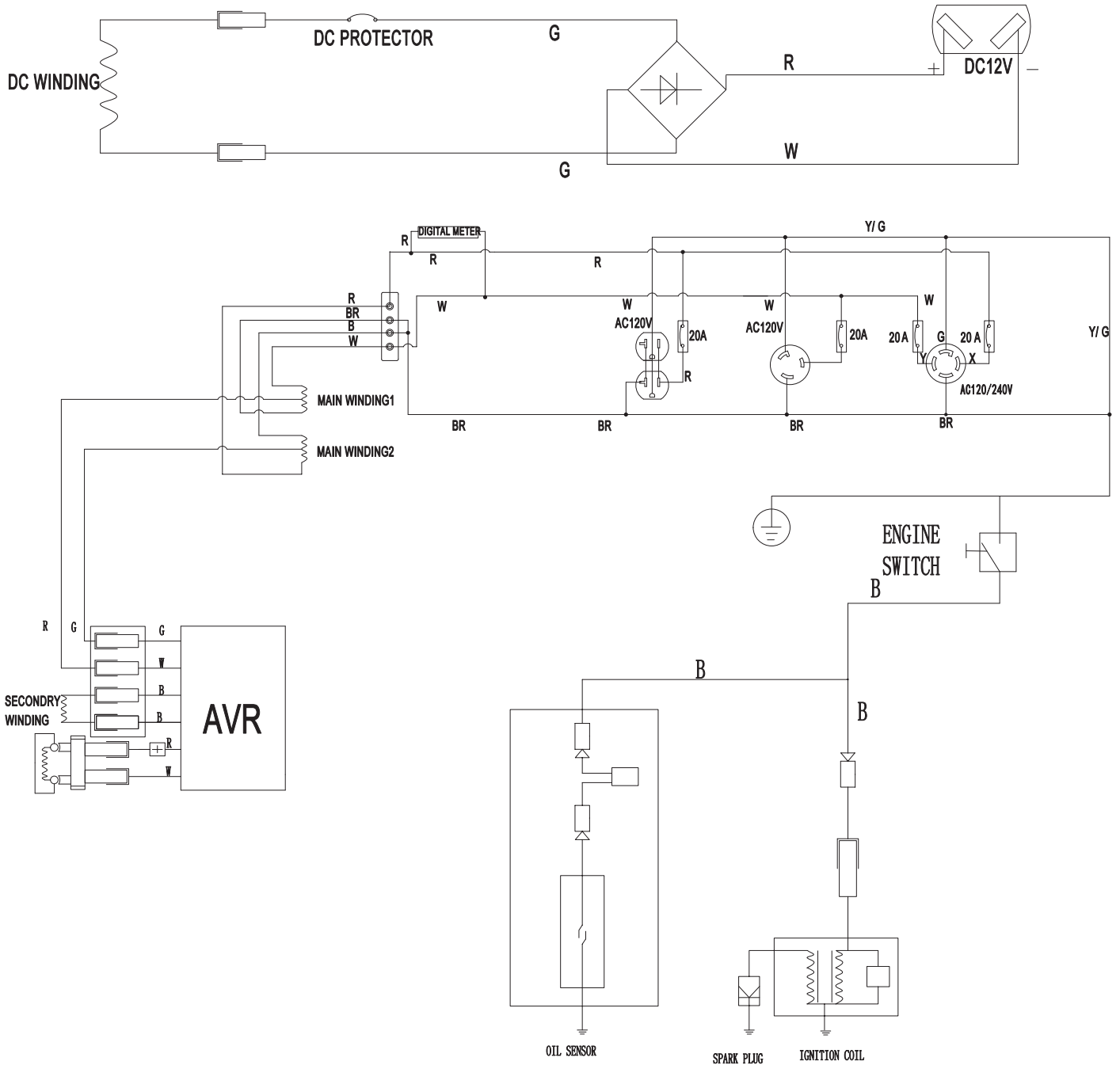


2. Change the engine oil.
3. Remove the spark plug, and pour about a tablespoon of clean engine oil into the cylinder. Crank the engine several revolutions to distribute the oil. Then reinstall the spark plug.
4. Slowly pull up on its compression stroke and both the intake and exhaust valves are closed. Storing the engine in this position will help to protect it from internal corrosion.



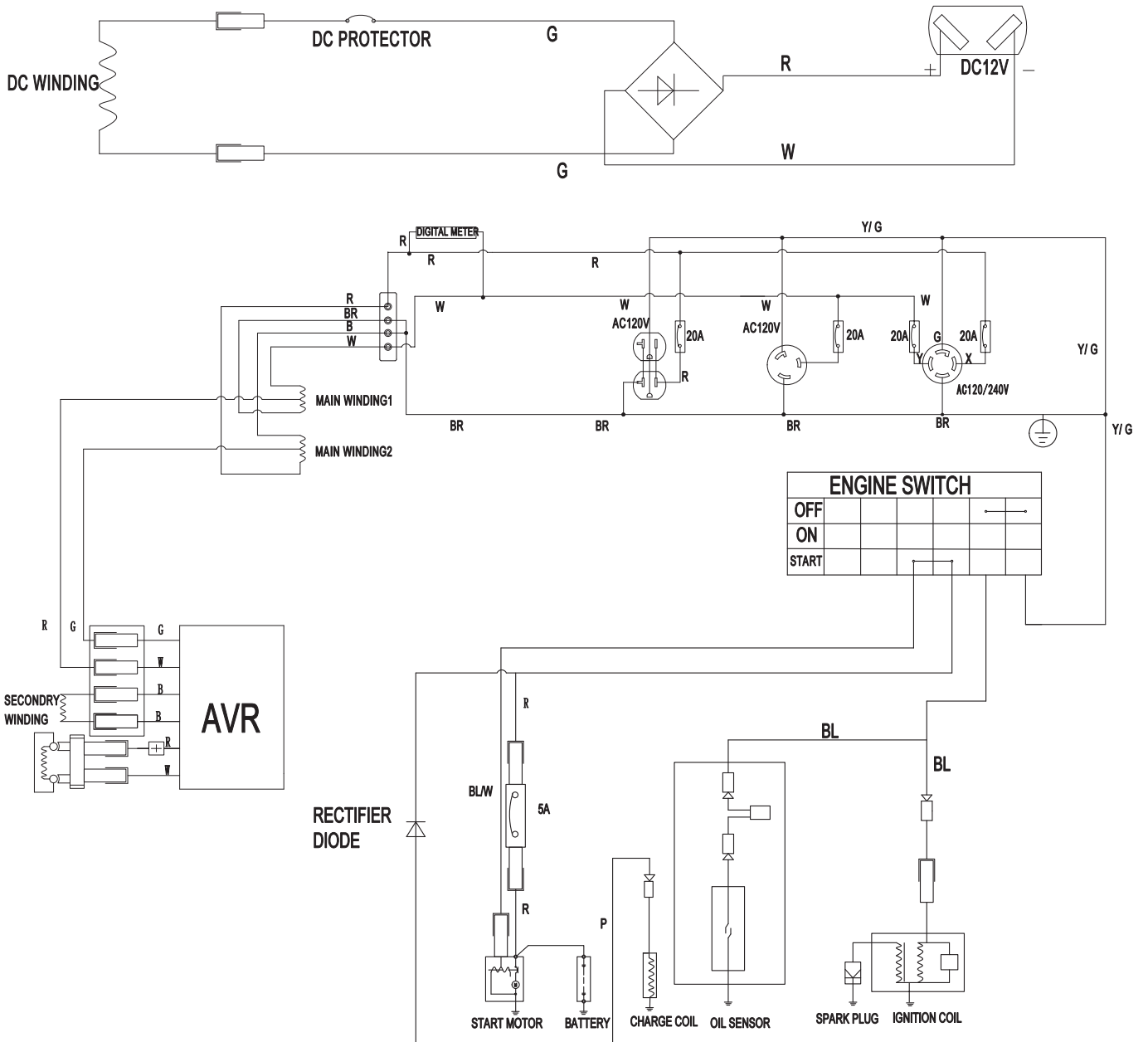
Owner's Manual

Wiring Diagram for GN6500CW



Owner's Manual

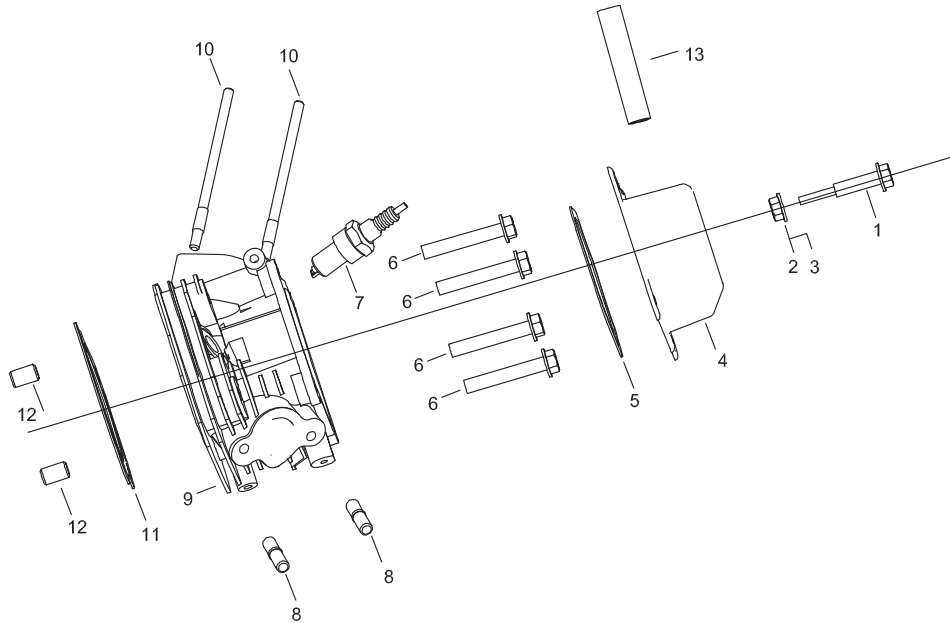
Wiring Diagram for GN650CEW



6500W Generator

LCT engine parts

Cylinder head system assy.

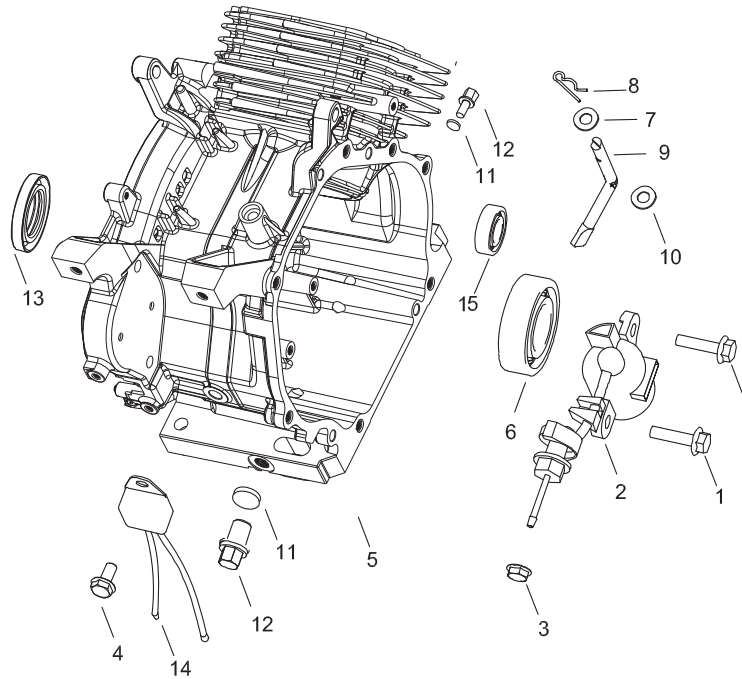


A

GPA Parts No	Factory Parts No	Description	QTY
GPG6500-A-01	PGH60700	BOLT, VALVE COVER	1
GPG6500-A-02	PGH60750	RUBBER GASKET, VALVE COVER BOLT	1
GPG6500-A-03	PGH60725	FLAT WASHER	1
GPG6500-A-04	PGH60652	VALVE COVER	1
GPG6500-A-05	PGH60675	GASKET, VALVE COVER	1
GPG6500-A-06	PGH60050	SCREW (M10X80 mm)	4
GPG6500-A-07	PGH44726	SPARK PLUG	1
GPG6500-A-08	PGH62951	STUD, EXHAUST (M8X39 mm)	2
GPG5250-A-09	PGH58026	CYLINDER HEAD	1
GPG5250-A-10	PGH54175	STUD, CARBURETOR(M8X100)	2
GPG5250-A-11	PGH58076	GASKET, CYLINDER HEAD	1
GPG6500-A-12	PGH61025	DOWEL PIN(ϕ 10x ϕ 12x20)	2
GPG6500-A-13	PGH60778	BREATHER HOSE	1

6500W Generator

LCT engine parts
Cylinder barrel



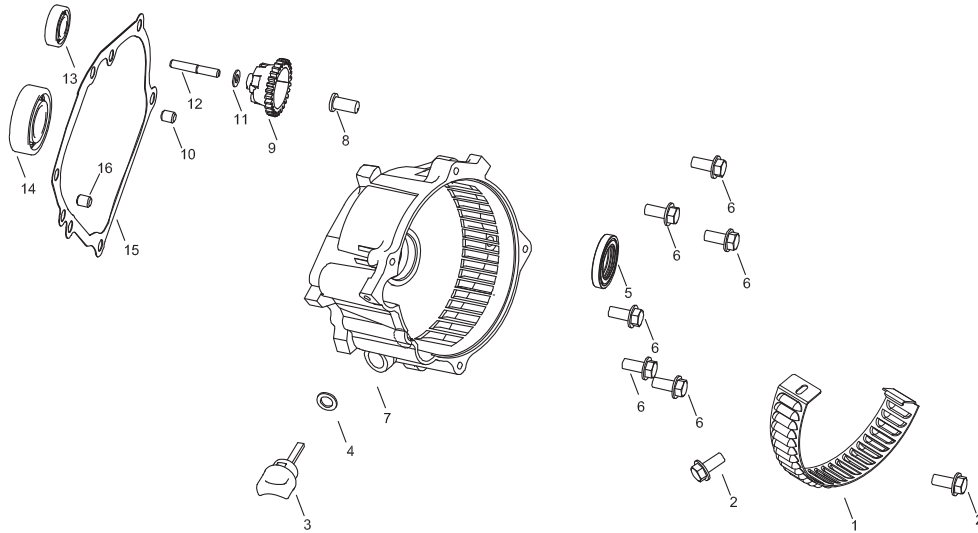
B

GPA Parts No	Factory Parts No	Description	QTY
GN6500CW-B-01	PGS40006	SCREW, LOW OIL SENSOR (M6X16)	2
GN6500CW-B-02	PGH64750	LOW OIL SENSOR	1
GN6500CW-B-03	PGS20004	FLANGE NUT (M10)	1
GN6500CW-B-04	PGS40003	SCREW (M6X12)	1
GN6500CW-B-05	PGH58337	CRANKCASE	1
GN6500CW-B-06	PGH52152	BALL BEARING(6206)	1
GN6500CW-B-07	PGH65675	FLAT WASHER	1
GN6500CW-B-08	PGH65625	LOCK PIN	1
GN6500CW-B-09	PGH65650	GOVERNOR ROD	1
GN6500CW-B-10	PGH75675	OIL SEAL	1
GN6500CW-B-11	PGH60951	FLAT WASHER, OIL DRAIN BOLT (12mm)	2
GN6500CW-B-12	PGH60975	BOLT, DRAIN BOLT	2
GN6500CW-B-13	PGH50926	OIL SEAL 30X46X8	1
GN6500CW-B-14	PGH44775	OIL SENSOR MODULE	1

6500W Generator

LCT engine parts

Crankcase cover system assy.



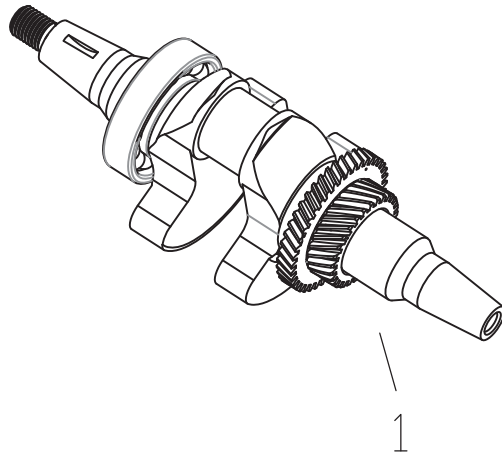
C

GPA Parts No	Factory Parts No	Description	QTY
GN6500CW-C-01	BGG13401	SHIELD, CRANKCASE COVER	1
GN6500CW-C-02	PGS40055	FLANGE BOLT(M5X12)	2
GN6500CW-C-03	PGH66903	DIPSTICK	1
GN6500CW-C-04	PGH66903-1	O-RING, DIPSTICK	1
GN6500CW-C-05	PGH50926	OIL SEAL	1
GN6500CW-C-06	PGH56875	FLANGE BOLT(M8X35)	7
GN6500CW-C-07	PGH56856	CRANKCASE COVER	1
GN6500CW-C-08	PGH65150	GOVERNOR SPOOL	1
GN6500CW-C-09	PGH55125	GOVERNOR GEAR	1
GN6500CW-C-10	PGH61000	DOWEL PIN(8X14)	2
GN6500CW-C-11	PGH75675	FLAT WASHER, GOVERNOR GEAR	1
GN6500CW-C-12	PGH65200	GOVERNOR SHAFT	1
GN6500CW-C-13	PGH52152	BALL BEARING (6206)	1
GN6500CW-C-14	PGH56928	GASKET, CRANKCASE COVER	1

6500W Generator

LCT engine parts

Crankshaft system assy.



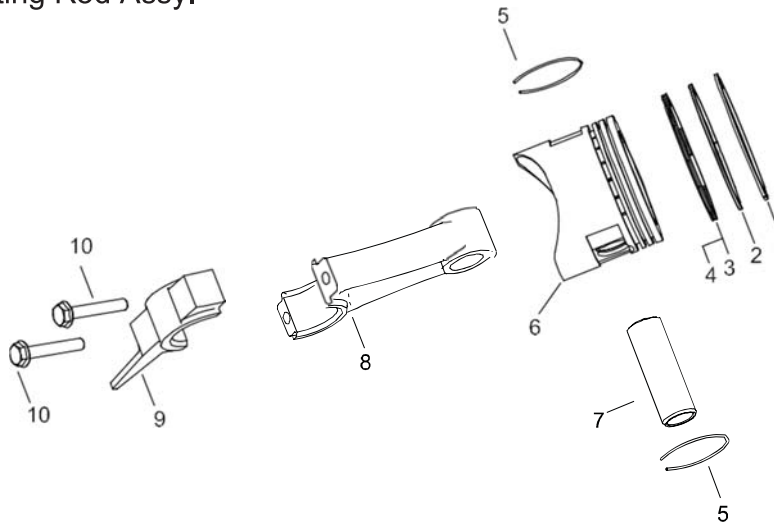
D

GPA Parts No.	LCT Parts No.	Description	QTY
GN6500CW-D-01	PGH58062	CRANKSHAFT ASSY	1

6500W Generator

LCT engine parts

Piston & Connecting Rod Assy.



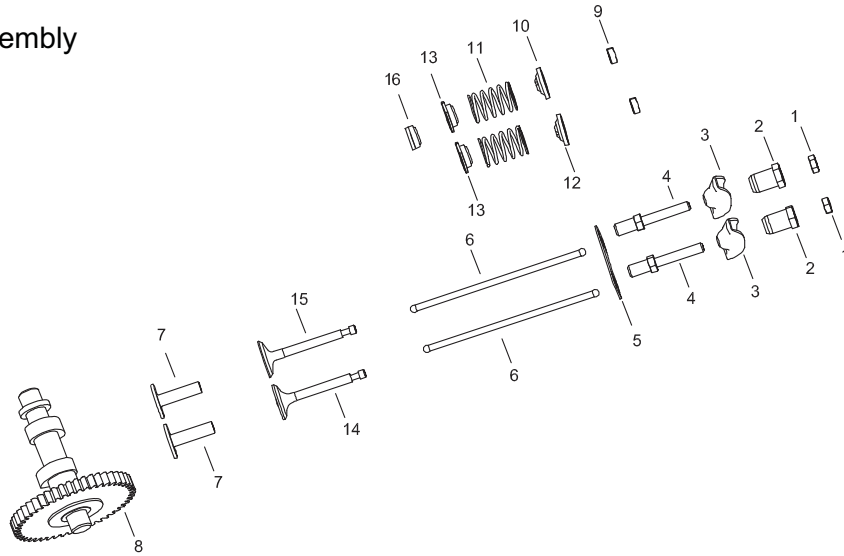
E

GPA Parts No	Factory Parts No	Description	QTY
GN6500CW-E-01	PGH58445.1	1ST COMPRESSION RING	1
GN6500CW-E-02	PGH58445.2	2ND COMPRESSION RING	1
GN6500CW-E-03	PGH58445.3	OIL RING PIECE	1
GN6500CW-E-04	PGH58445.4	OIL RING PIECE	2
GN6500CW-E-05	PGH41300	CLIP, PISTON PIN(20mm)	2
GN6500CW-E-06	PGH58431	PISTON	1
GN6500CW-E-07	PGH51275	PISTON PIN	1
GN6500CW-E-08	PGH51500.1	CONNECTING ROD BODY	1
GN6500CW-E-09	PGH51500.2	CAP, CONNECTIONG ROD	1
GN6500CW-E-10	PGH51500.3	BOLT, CONNECTING ROD	2

6500W Generator

LCT engine parts

Valve Train Assembly



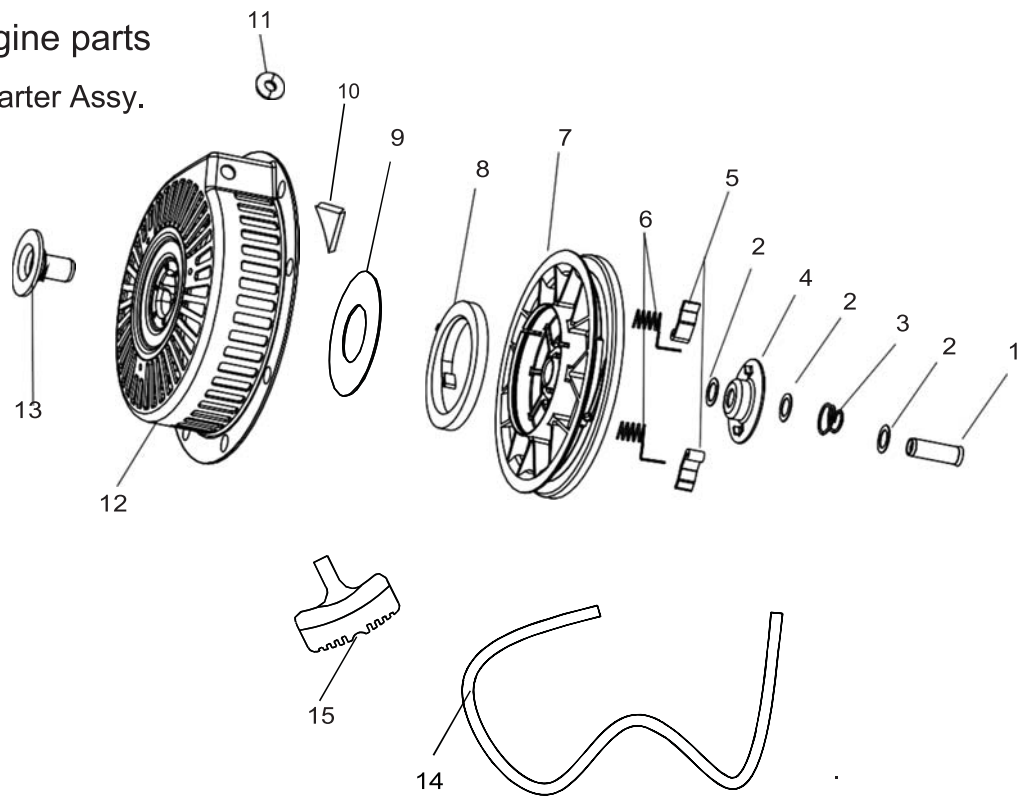
F

GPA Parts No	Factory Parts No	Description	QTY
GN6500CW-F-01	PGH40525	ROCKER ARM NUT	2
GN6500CW-F-02	PGH40550	ROCKER ARM PIVOT	2
GN6500CW-F-03	PGH60500	ROCKER ARM	2
GN6500CW-F-04	PGH60475	PIVOT BOLT, ROCKER	2
GN6500CW-F-05	PGH50276	GUIDE PLATE, PUSH ROD	2
GN6500CW-F-06	PGH50350	PUSH ROD	2
GN6500CW-F-07	PGH60325	TAPPET	2
GN6500CW-F-08	PGH51901	CAMSHAFT	1
GN6500CW-F-09	PGH60250	VALVE LASH CAP	1
GN6500CW-F-10	PGH60200	VALVE SPRING RETAINER	1
GN6500CW-F-11	PGH60100	VALVE SPRING	2
GN6500CW-F-12	PGH60150	VALVE SPRING RETAINER	1
GN6500CW-F-13	PGH60175	VALVE SPRING SEAT	2
GN6500CW-F-14	PGH50225	EXHAUST VALVE	1
GN6500CW-F-15	PGH50125	INTAKE VALVE	1
GN6500CW-F-16	PGH60300	VALVE STEM OIL SEAL	1

6500W Generator

LCT engine parts

Recoil Starter Assy.



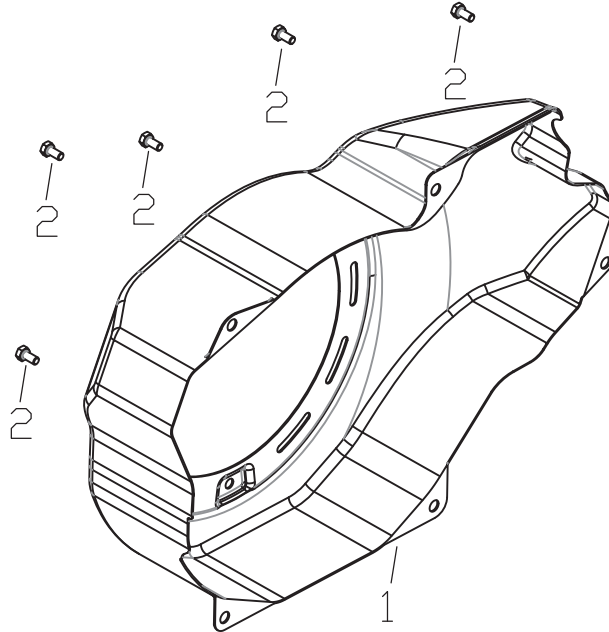
G

GPA Parts No	Factory Parts No	Description	QTY
GN6500CW-G-01	PGH56031.1.1	SPRING PIN	1
GN6500CW-G-02	PGH56031.1.2	WASHER	3
GN6500CW-G-03	PGH56031.1.3	SPRING	1
GN6500CW-G-04	PGH56031.1.4	CAP, DRIVE PAWLS	1
GN6500CW-G-05	PGH56031.1.5	DRIVE PAWLS	2
GN6500CW-G-06	PGH56031.1.6	RETURN SPRING, DRIVE PAWLS	2
GN6500CW-G-07	PGH56031.1.7	NYLON PULLEY	1
GN6500CW-G-08	PGH56031.1.8	COIL SPRING	1
GN6500CW-G-09	PGH56031.1.9	SUPPORT PLATE, COIL SPRING	1
GN6500CW-G-10	PGH56031.1.10	BAFFLE PLATE	1
GN6500CW-G-11	PGH56031.1.11	GROMMET	1
GN6500CW-G-12	PGH56031.1.12	HOUSING, RECOIL	1
GN6500CW-G-13	PGH56031.1.13	SHAFT, NYLON PULLEY	1
GN6500CW-G-14	PGH56031.1.14	ROPE	1
GN6500CW-G-15	PGH56031.1.15	GRIP	1

6500W Generator

LCT engine parts

Fan Cover Assy.



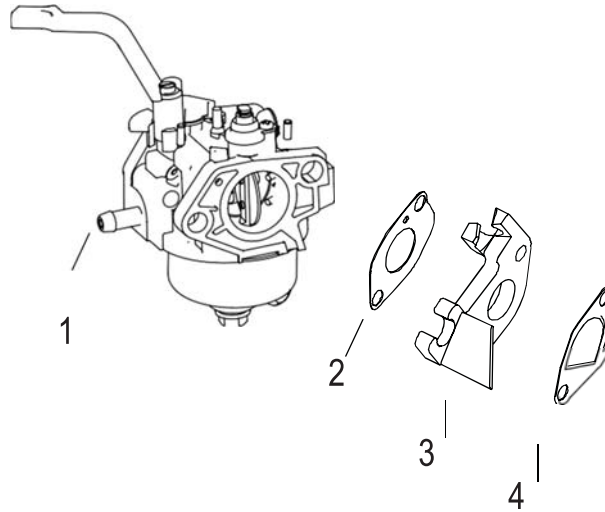
H

GPA Parts No.	LCT Parts No.	Description	QTY
GN6500CW-H-01	PGH56103	BLOWER HOUSING	1
GN6500CW-H-02	PGS40003	FLANGE BOLT(M6x12)	5

6500W Generator

LCT engine parts

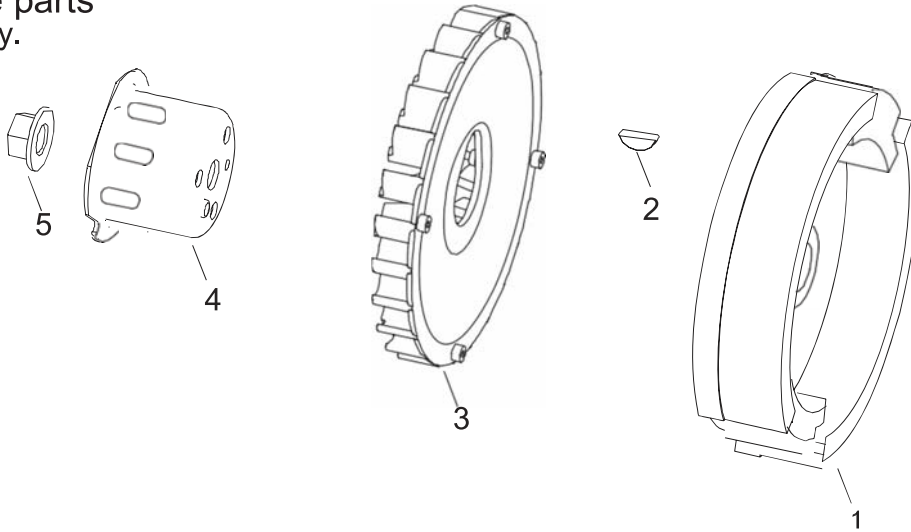
Carburetor Assy.



GPA Parts No	Factory Parts No	Description	QTY
GN6500CW-I-01	PGH59501	CARBURETOR ASSY	1
GN6500CW-I-02	PGH54127	GASKET, CARBURETOR	1
GN6500CW-I-03	PGH54150	CARBURETOR SPACER	1
GN6500CW-I-04	PGH54202	GASKET, CARBURETOR SPACER	1

6500W Generator

LCT engine parts
Flywheel Assy.



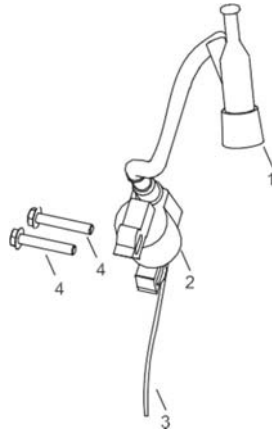
J

GPA Parts No	Factory Parts No	Description	QTY
GN6500CW-J-01	PGH52461	FLYWHEEL	1
GN6500CW-J-02	PGH42301	KEY	1
GN6500CW-J-03	PGH52501	COOLING FAN	1
GN6500CW-J-04	PGH56128	STARTER CUP	1
GN6500CW-J-05	PGH62475	NUT, FLYWHEEL (M16)	1

6500W Generator

LCT engine parts

Ignition System Assy.

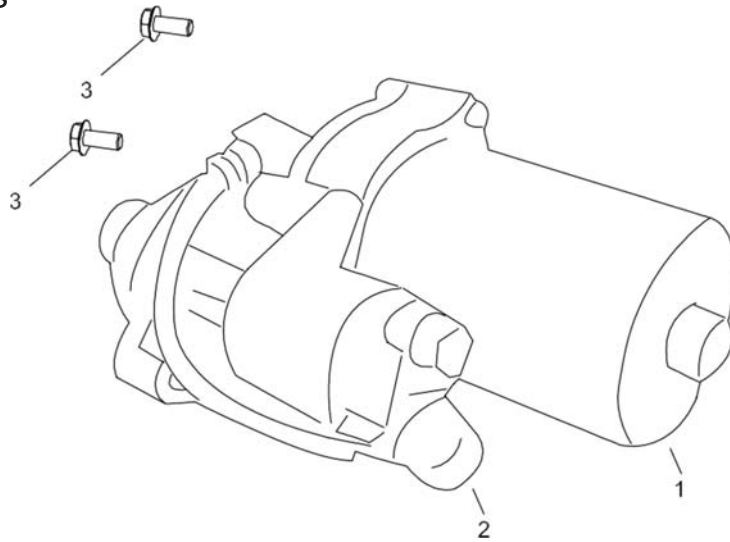


K

GPA Parts No	Factory Parts No	Description	QTY
GN6500CW-K-01	PGH64675.2-1	SPARK PLUG BOOT	1
GN6500CW-K-02	PGH64675.2-2	IGNITION COIL	1
GN6500CW-K-03	PGH64672.2-3	ENGINE SHUTDOWN WIRE	1
GN6500CW-K-04	PGS40009	FLANGE BOLT (M6x25)	1

6500W Generator

LCT engine parts
 Starter Motor Assy.



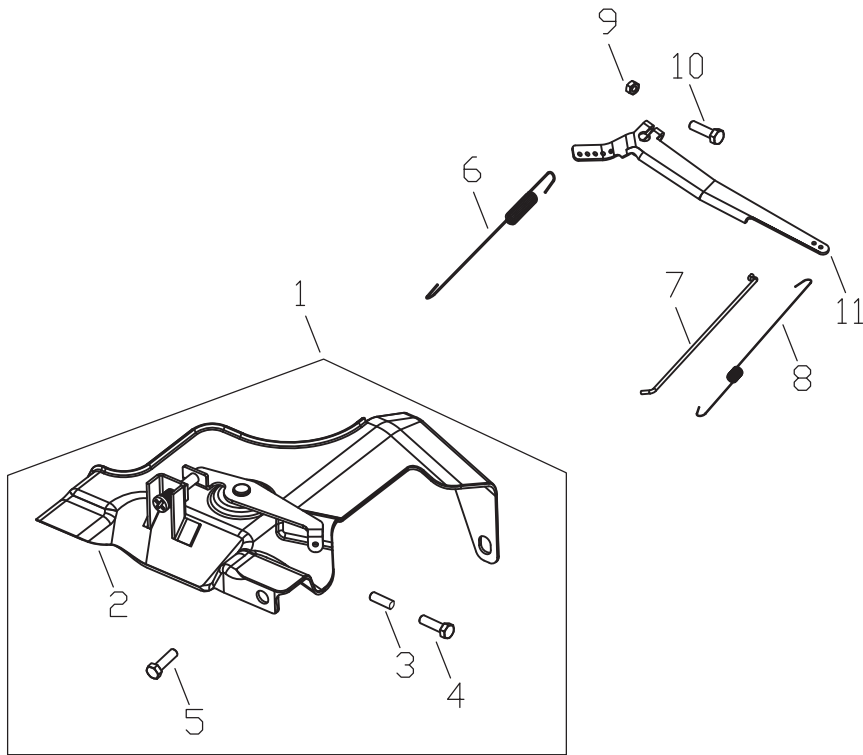
L

GPA Parts No.	LCT Parts No.	Description	QTY
GN6500CW-L-01	PGH64850	STARTER MOTOR	1
GN6500CW-L-02	PGH64850.1	SOLENOID	1
GN6500CW-L-03	PGH56875	FLANGE BOLT (M8×35)	2

6500W Generator

LCT engine parts

Control Assy.



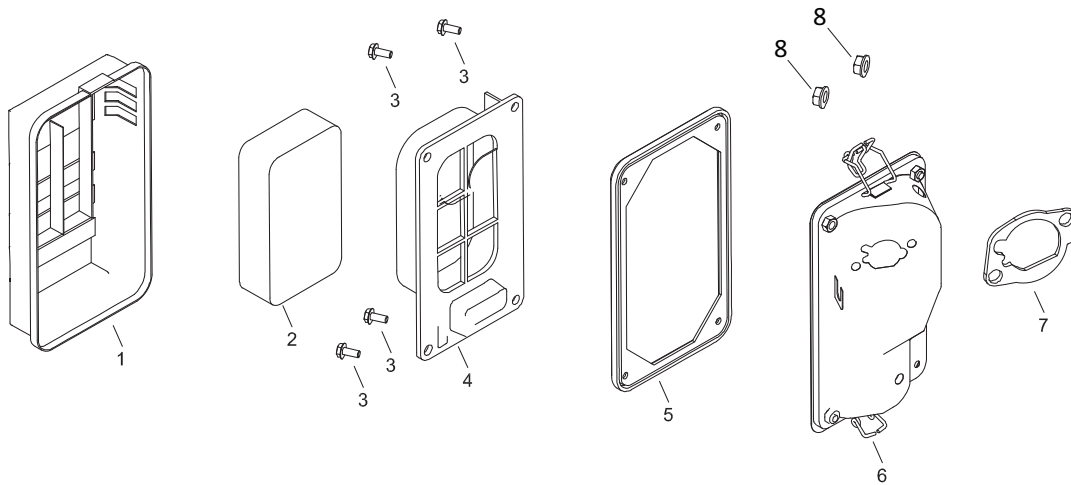
M

GPA Parts No.	LCT Parts No.	Description	QTY
GN6500CW-M-01	PGHD5086	CONTROL ASSY.	1
GN6500CW-M-02	PGHD5086.1	CONTROL BASE COMP.	1
GN6500CW-M-03	PGHD5086.2	CONTROL ADJUSTING SPRING	1
GN6500CW-M-04	PGHD5086.3	FLANGE BOLT	1
GN6500CW-M-05	PGS30007	FLANGE BOLT (M8 X 16)	1
GN6500CW-M-06	PGHD5150	THROTTLE RETURN SPRING	1
GN6500CW-M-07	PGH65450	GOVERNOR SPRING	1
GN6500CW-M-08	PGH65525	GOVERNOR ROD	1
GN6500CW-M-09	PGS20000	FLANGE NUT (M6)	1
GN6500CW-M-10	PGH45475	GOVERNOR ARM BOLT	1
GN6500CW-M-11	PGHD5077	CONTROL ARM	1

6500W Generator

LCT engine parts

Air Cleaner

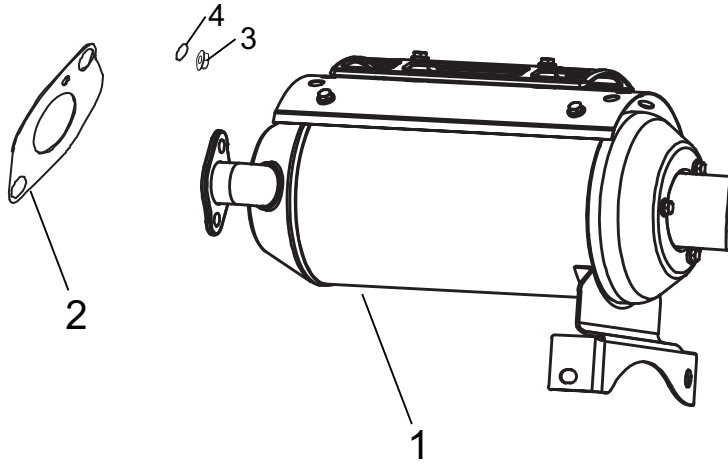


N

GPA Parts No	Factory Parts No	Description	QTY
GN6500CW-N-01	PGH62609	AIR CLEANER BACKPLATE	1
GN6500CW-N-02	PGH62609.2-2	AIR CLEANER PAPER ELEMENT	1
GN6500CW-N-03	PGS40003	HEX HEAD BOLT M6X12	4
GN6500CW-N-04	PGH62609.2-4	AIR CLEANER SEPARATOR	1
GN6500CW-N-05	PGH62609.2-5	AIR CLEANER SEAL	1
GN6500CW-N-06	PGH62609.2-1	AIR CLEANER CASE COMP	1
GN6500CW-N-07	PGH54202	GASKET	1
GN6500CW-N-08	PGS20000	FLANGE NUT M6	2

6500W Generator

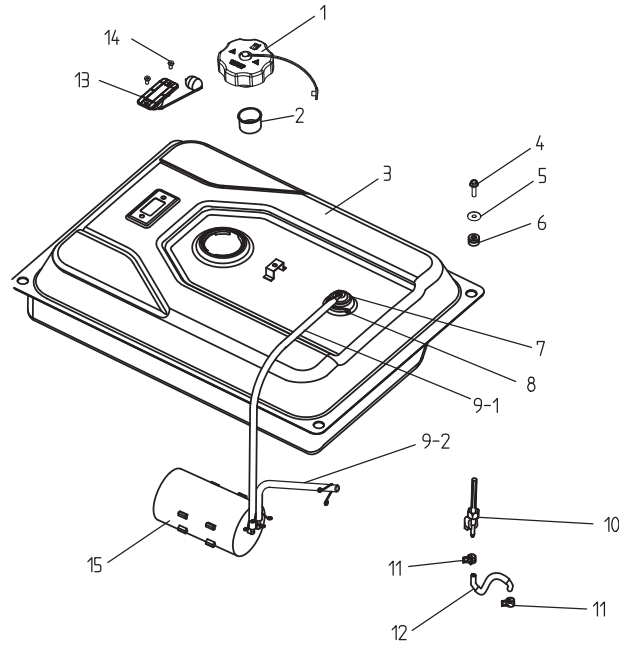
Equipment Parts excluded in LCT Engine
Muffler System Assy.



GPA Parts No	Factory Parts No	Description	QTY
GN6500CW-O-01	BGH30460	MUFFLER STAY COMP	1
GN6500CW-O-02	BGH92902	EXHAUST GASKET	1
GN6500CW-O-03	BGS10004	FLANGE NUT M8	2
GN6500CW-O-04	BGS60004	SPRING WASHER ϕ 8	2

6500W Generator

Equipment Parts excluded in LCT Engine
Fuel tank system assy.

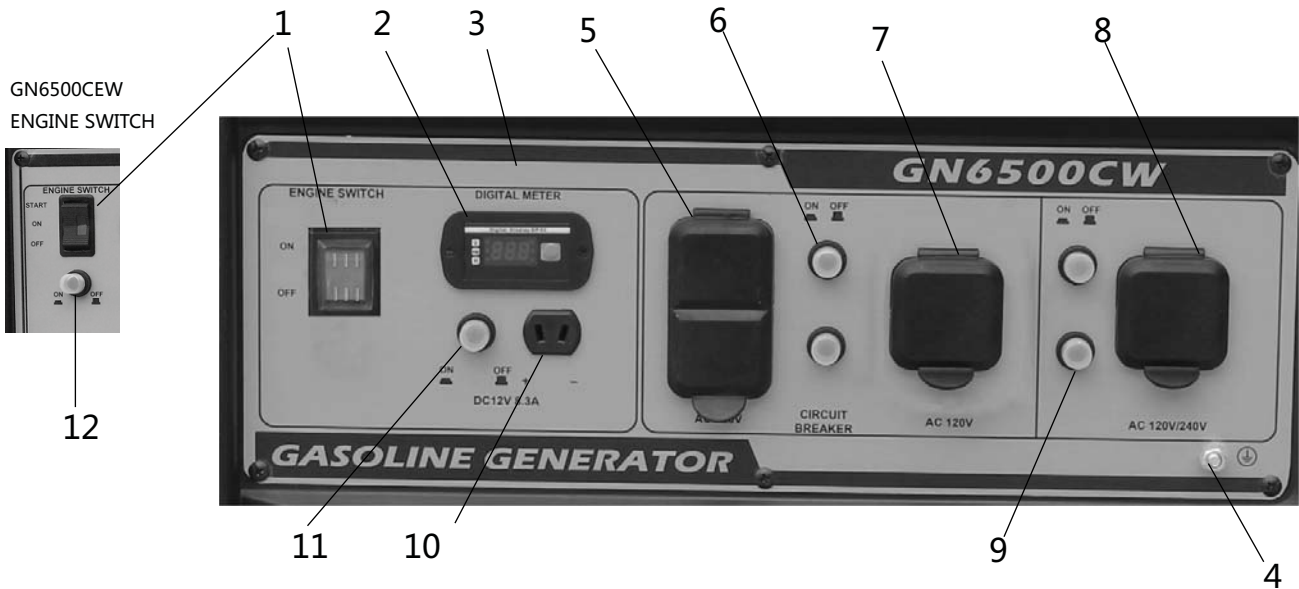


P

GPA Parts No	Factory Parts No	Description	QTY
GN6500CW-P-01	BGG21006.1.	FUEL FILLER CAP COMP	1
GN6500CW-P-02	BGG21519.1	FUEL FILLER	1
GN6500CW-P-03	BGG21519	FUEL TANK COMP.	1
GN6500CW-P-04	BGS40009	FLANGE BOLT(M6X25)	4
GN6500CW-P-05	BGG20503	WASHER	4
GN6500CW-P-06	BGH21519.2	RUBBER	4
GN6500CW-P-07	BGH64225	OVERFLOW VALVE	1
GN6500CW-P-08	BGH43582	TUBE CLIP A	4
GN6500CW-P-09	BGH63687	VAPOR HOSE	1
GN6500CW-P-10	BGH63687	VAPOR HOSE	1
GN6500CW-P-11	BGH43625	FUEL VAVLE	1
GN6500CW-P-12	PGH63575	TUBE CLIP C	2
GN6500CW-P-13	BGH60604	FUEL TUBE D	1
GN6500CW-P-14	BGH73801	OIL GAUGE	1
GN6500CW-P-15	BGH70036	CARBON CANISTER	1

6500W Generator

Equipment Parts excluded in LCT Engine Control panel assy.

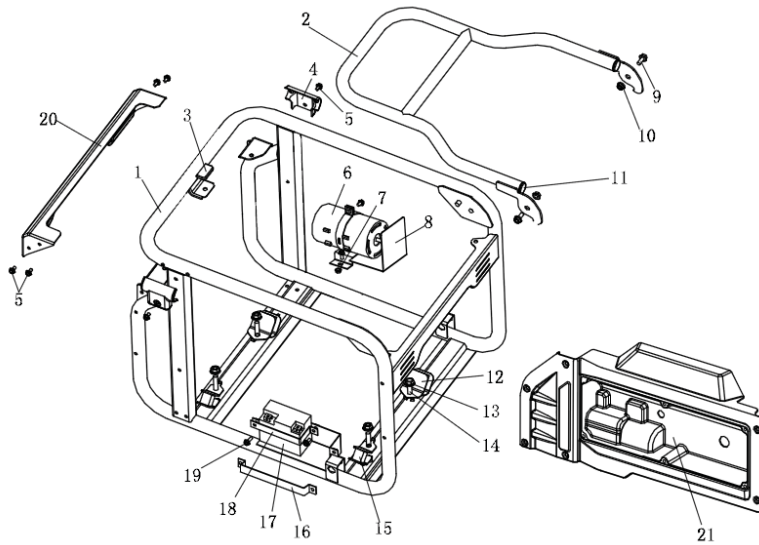


Q

GPA Parts No	Factory Parts No	Description	QTY
GN6500CW-Q-01	BGG50200	ENGINE SWITCH ASSY	1
GN6500CEW-Q-01	BGG53150	ENGINE SWITCH ASSY	1
GN6500CW-Q-02	BGG52950	HOURMETER	1
GN6500CW-Q-03	BGG50073	CONTROL PANEL COMP	1
GN6500CW-Q-04	BGG50705	EARTH TERMINAL	1
GN6500CW-Q-05	BGG53950	120V 20A NEMA5-20 Receptacle	2
GN6500CW-Q-06	BGG53400	CIRCUIT BREAKER	2
GN6500CW-Q-07	BGG52600	120V 30A NEMA5-30 Receptacle	1
GN6500CW-Q-08	BGG53350	120/240V 30A NEMAL14-30 Receptacle	1
GN6500CW-Q-09	BGG52905	20 A AC CIRCUIT PROTECTOR	2
GN6500CW-Q-10	BGG53650	DC 12V OUTPUT	1
GN6500CW-Q-11	BGG52100	DC CIRCUIT PROTECTOR	1
GN6500CEW-Q-12	BGG52600	SWITCH CIRCUIT BREAKER	1

6500W Generator

Equipment Parts excluded in LCT Engine
Frame Comp Assy.

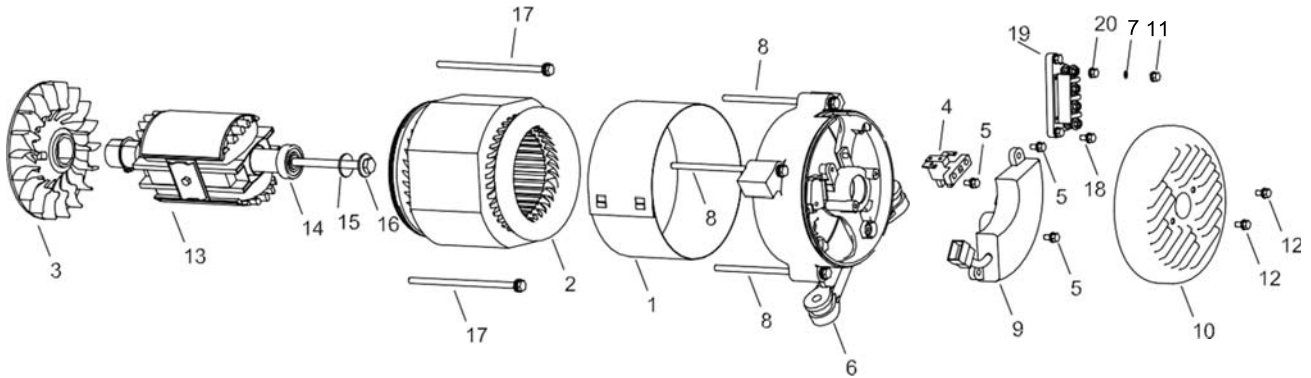


R

GPA Parts No	Factory Parts No	Description	QTY
GN6500CW-R-01	BGG31090	GENERATOR FRAME	1
GN6500CEW-R-01	BGG30090	GENERATOR FRAME	1
GN6500CW-R-02	BGG42117	HANDLE	1
GN6500CW-R-03	BGG61049	HANDLE RUBBER PAD	1
GN6500CW-R-04	BGG61050	RUBBER DECORATIVE PLATE	2
GN6500CW-R-05	BGS40003	FLANGE BOLT (M6X12)	6
GN6500CW-R-06	BGH63651	CARBON CANISTER	1
GN6500CW-R-07	BGS20000	LOCKET M6	2
GN6500CW-R-08	BGH63652	CARBON CANISTER BRACKET	1
GN6500CW-R-09	BGS30007	FLANGE BOLT (M8X16)	2
GN6500CW-R-10	BGS20022	FLANGE NUT M8	2
GN6500CW-R-11	BGG30170	HANDLE RUBBER PIUG	2
GN6500CW-R-12	BGG61008	BOTTOM RUBBER B	2
GN6500CW-R-13	BGS20006	LOCKET M10	4
GN6500CW-R-14	BGS40032	FLANGE BOLT (M10X40)	4
GN6500CW-R-15	BGG61007	BOTTOM RUBBER A	2
GN6500CEW-R-16	BGG42166	17Ah BATTERY LAYLER	1
GN6500CEW-R-17	BGG60504	1.6Ah LITHIUM BATTERY	1
GN6500CEW-R-18	BGG42173	1.6Ah BATTERY LAYLER	1
GN6500CEW-R-19	BGS40066	FLANGE BOLT (M6X16)	2
GN6500CW-R-20	BGG22001	FUEL TANK TRIM PANEL	1
GN6500CW-R-21	BGG50131	CONTROL PANLE COVER	1

6500W Generator

Equipment Parts excluded in LCT Engine Generator

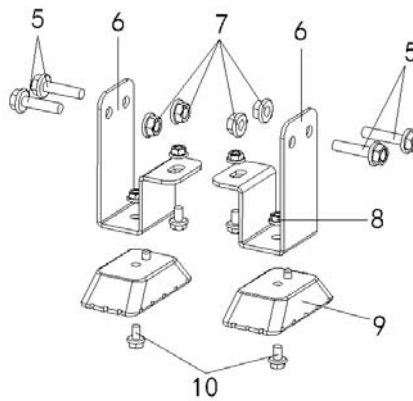
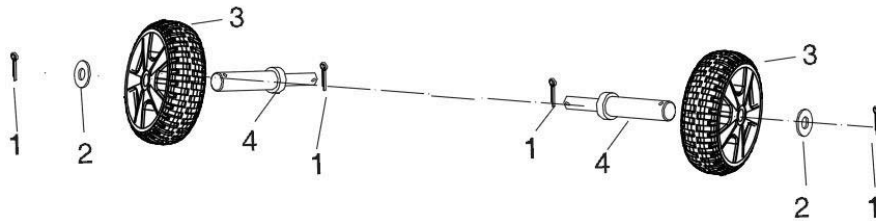


S

GPA Parts No	Factory Parts No	Description	QTY
GN6500CW-S-01	BGG12359.1	STATOR COVER	1
GN6500CW-S-02	BGG12359.2	STATOR ASSY	1
GN6500CW-S-03	BGG12359.3	COOLING FAN	1
GN6500CW-S-04	BGG13101	BRUSH ASSY	1
GN6500CW-S-05	BGS40078	TAPPING SCREW	8
GN6500CW-S-06	BGG13303	RR HOUSING	1
GN6500CW-S-07	BGS60000	SPRING WASHER(5mm)	4
GN6500CW-S-08	BGS14038	FLANGE BOLT(M6x197)	4
GN6500CW-S-09	BGG12505	AUTO VOLTAGE REG.ASSY	1
GN6500CW-S-10	BGG13007	GENERATOR COVER	1
GN6500CW-S-11	BGS40078	FLANGE BOLT (M6X12)	4
GN6500CW-S-12	BGS40078	FLANGE BOLT (M6X12)	2
GN6500CW-S-13	BGG12359.4	ROTOR COMP	1
GN6500CW-S-14	BGG12359.5	BEARING ASSY	1
GN6500CW-S-15	BGS60008	PLAIN WASHER	1
GN6500CW-S-16	BGG14029	FLANGE BOLT (M10X275)	1
GN6500CW-S-17	BGG14037	FLANGE BOLT (M5X230)	2
GN6500CW-S-18	BGG30039	HEX.BOLT (M5X20)	2
GN6500CW-S-19	BGG13101	VOLT CHANGE TERMINAL BR-AC-W	1
GN6500CW-S-20	BGS50001	PLAIN WASHER (5mm)	1

6500W Generator

Equipment Parts excluded in LCT Engine
Wheel & Hand Assy.



GPA Parts No	Factory Parts No	Description	T QTY
GN6500CW-T-01	BGS20006	COTTER PIN	4
GN6500CW-T-02	BGS20006.1.2	WASHER PLAIN	2
GN6500CW-T-03	BGS60648	WHEEL	2
GN6500CW-T-04	BGG42015	SHAFT	2
GN6500CW-T-05	BGS30014	FLANGE BOLT (M8*40)	4
GN6500CW-T-06	BGG42064	STANDER	2
GN6500CW-T-07	BGS20002	FLANGE NUT (M8)	4
GN6500CW-T-08	BGS20000	FLANGE NUT (M6)	4
GN6500CW-T-09	BGG61048	STANDER RUBBER PAD	2
GN6500CW-T-10	BGS40003	FLANGE BOLT(M6*12)	4

Distributed by:
Green-Power America, LLC
[www. Green-PowerAmerica.com](http://www.Green-PowerAmerica.com)
All copyright © is reserved by Green-Power America, LLC