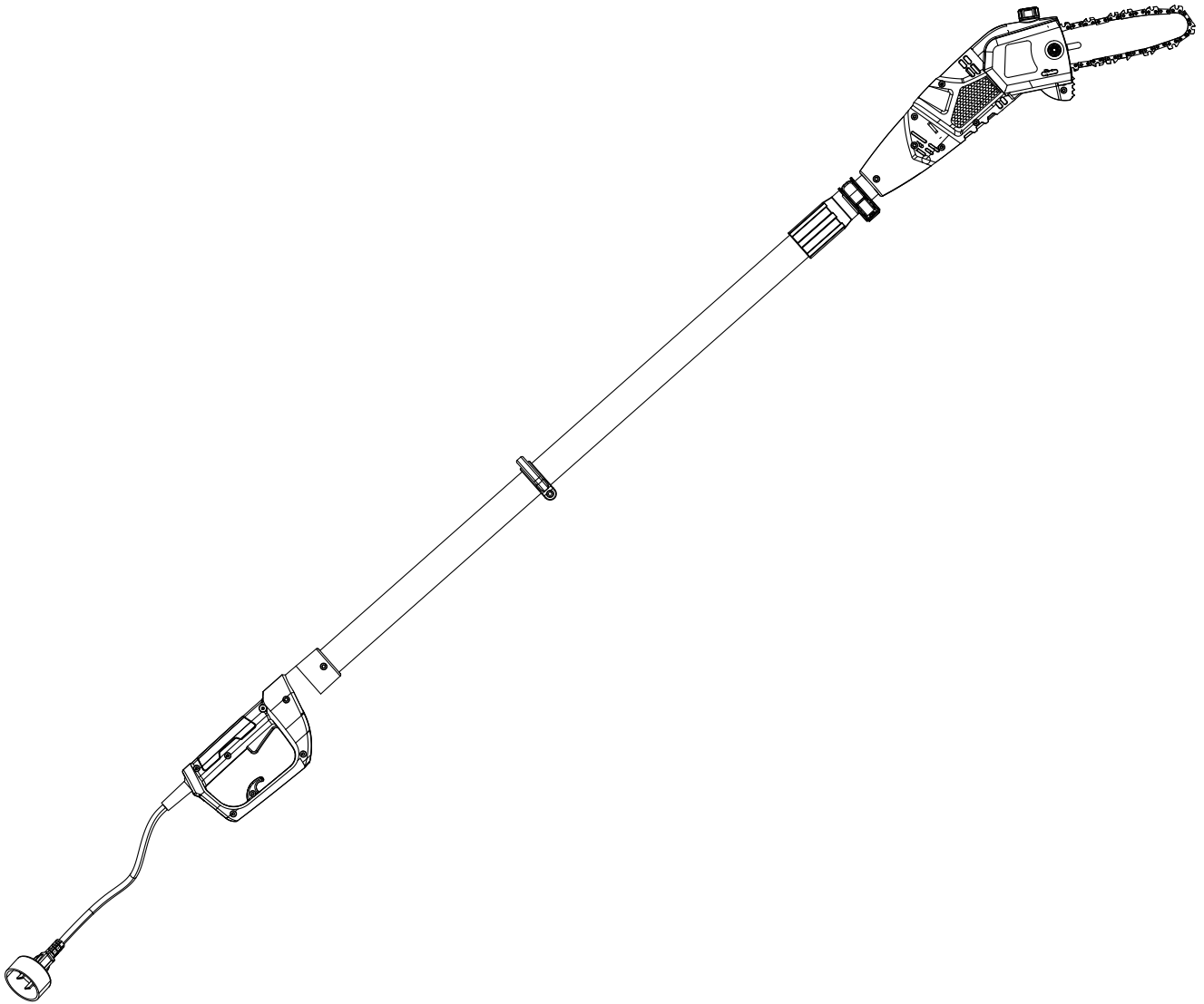




---

# Electric Pole Saw

Operator's manual  
Model: CSPE6.5-M



For customer support, please call 1-800-261-3981 or send email to:

[Service@senixtools.com](mailto:Service@senixtools.com)

SAVE THIS MANUAL FOR FUTURE REFERENCE.

8458-4347007-001

## • SAFETY & INTERNATIONAL SYMBOLS •

This operator's manual describes safety and international symbols and pictographs that may appear on this product. Read the operator's manual for complete safety, assembly, operating and maintenance and repair information.



To reduce the risk of injury, user must read instruction manual.



Contact of the guide bar tip with any object should be avoided.



Thrown objects and loud noise can cause severe eye injury and hearing loss. Wear eye protection meeting current ANSI Z87.1 standards and ear protection when operating this unit. Wear head protection when operating this unit. Fallen objects can cause severe head injury. Use a full face shield when needed.



Always use two hands when operating the pole saw.



Hot surface. Do not touch a hot motor. You may get burned. The motor get extremely hot from operation. It remains hot for a short time after the unit is turned off.



Wear hand protection.



Thrown objects can ricochet and result in personal injury or property damage.



Wear non-slip safety footwear.



Keep all bystanders at least 50 ft. away.



Failure to keep your hands away from the blade will result in serious personal injury.



**DANGER!**  
Risk of electrocution!



Avoid power lines, use in dry conditions.



The chain must be continuously coated with oil to function correctly. Verify oil level before each use.



Do not expose to rain.



Indicates danger, warning or caution. Precautions that involve your safety.

# TABLE OF CONTENTS

SAFETY.....	3
KNOW YOUR UNIT.....	7
SPECIFICATIONS*.....	7
ASSEMBLY.....	8
OPERATION.....	11
MAINTENANCE.....	14
TROUBLESHOOTING.....	17
PARTS.....	18
PARTS LIST.....	19
WARRANTY.....	20

## SAFETY

### Read All Instructions



#### WARNING!

Some dust created by power sanding, sawing, grinding, drilling and other construction activities contains chemicals known to the state of California to cause cancer, birth defects or other reproductive harm. Some examples of these chemicals are: Lead from lead-based paints, crystalline silica from bricks and cement and other masonry products, and arsenic and chromium from chemically treated lumber.

Your risk from these exposures varies, depending on how often you do this type of work. To reduce your exposure to these chemical: Work in a well ventilated area and work with approved safety equipment, such as dust masks that are specially designed to filter out microscopic particles.



#### WARNING!

This product can expose you to chemicals including lead, a chemical known to the State of California to cause cancer and birth defects or other reproductive harm. For more information go to [www.P65Warnings.ca.gov](http://www.P65Warnings.ca.gov).



#### WARNING!

When using electric gardening appliances, basic safety precautions should always be followed to reduce the risk of fire, electric shock, and personal injury, including the following:

1. Avoid Dangerous Environment – Don't use appliances in damp or wet locations.
2. Don't Use In Rain.
3. Keep Children Away – All visitors should be kept at a distance from work area.
4. Dress Properly – Do not wear loose clothing or jewelry. They can be caught in moving parts. Use of rubber gloves and substantial footwear is recommended when working outdoors. Wear protective hair covering to contain long hair.
5. Use Safety Glasses – Always use face or dust mask if operation is dusty.
6. Use Right Appliance – Do not use appliance for any job except that for which it is intended.
7. Ground Fault Circuit Interrupter (GFCI) protection

should be provided on the circuit(s) or outlet(s) to be used for the gardening appliance. Receptacles are available having built-in GFCI protection and may be used for this measure of safety.

8. Warning – To reduce the risk of electric shock, use only with an extension cord intended for outdoor use, such as an extension cord of cord type SW-A, SOW-A, STW-A, STOW-A, SJW-A, SJOW-A, SJTW-A. or SJTOW-A.
9. Avoid Unintentional Starting – Don't carry plugged-in appliance with finger on switch. Be sure switch is off when plugging in.
10. Don't Abuse Cord – Never carry appliance by cord or yank it to disconnect from receptacle. Keep cord from heat, oil, and sharp edges
11. Don't Force Appliance – It will do the job better and with less likelihood of a risk of injury at the rate for which it was designed.
12. Don't overreach – Keep proper footing and balance at all times.
13. Stay Alert – Watch what you are doing. Use common sense. Do not operate appliance when you are tired.
14. Disconnect Appliance – Disconnect the appliance from the power supply when not in use, before servicing, when changing accessories such as blades, and the like.
15. Store Idle Appliances Indoors – When not in use, appliances should be stored indoors in dry, and high or locked-up place – out of reach of children.
16. Maintain Appliance With Care – Keep cutting edge sharp and clean for best performance and to reduce the risk of injury. Follow instructions for lubricating and changing accessories. Inspect appliance cord periodically, and if damaged, have it repaired by an authorized service facility. Inspect extension cords periodically and replace if damaged. Keep handles dry, clean, and free from oil and grease.
17. Check Damaged Parts – Before further use of the appliance, a guard or other part that is damaged should be carefully checked to determine that it will operate properly and perform its intended function. Check for alignment of moving parts, binding of moving parts, breakage of parts, mounting, and any other condition that may affect its operation. A guard or other part that is damaged should be properly repaired or replaced by an authorized service center unless indicated elsewhere in this manual.

## SPECIFIC SAFETY RULES FOR POLE PRUNERS



### WARNING!

Do not operate near electrical power lines. The unit has not been designed to provide protection from electric shock in the event of contact with overhead electric lines. Consult local regulations for safe distances from overhead electric power lines and ensure that the operating position is safe and secure before operating the saw chain pole pruner.

1. Wear head, and eye protection and personal protective equipment (PPE), including correct clothing.
2. Keep bystanders, especially children at a safe distance during operation of the saw chain pole pruner.
3. Keep all parts of the body away from the saw chain. Do not remove cut material or hold material to be cut when blades are moving. Make sure the switch is off when clearing jammed material. Saw chain continues to move after the switch is turned off. A moment of inattention while operating the extended-reach pruner may result in serious personal injury.
4. Carry the extended-reach pruner by the handle with the saw chain stopped. When transporting or storing the extended-reach pruner, always fit the saw chain device cover. Proper handling of the extended-reach pruner will reduce possible personal injury from the saw chain.
5. Hold the extended-reach pruner by insulated gripping surfaces only, because the saw chain may contact hidden wiring. A saw chain contacting a "live" wire may make exposed metal parts of the extended-reach pruner "live" and could give the operator an electric shock.
6. Keep cable away from cutting area. During operation the cable may be hidden in shrubs and can be accidentally cut by the saw chain.
7. Do not use the extended-reach pruner in bad weather conditions, especially when there is a risk of lightning. This decreases the risk of being struck by lightning.
8. To reduce the risk of electrocution, never use near any electrical power lines. Contact with or use near power lines may cause serious injury or electric shock resulting in death.
9. Always use two hands when operating the extended-reach pruner. Hold the extended-reach pruner with both hands to avoid loss of control.
10. Always use head protection when operating the extended-reach pruner overhead. Falling debris can result in serious personal injury.

## SAVE THESE INSTRUCTIONS ADDITIONAL SAFETY WARNINGS FOR OPERATION

- Always disconnect the appliance from the power supply before assembling, adjusting or cleaning, and before leaving the machine unattended for any period.

- Checking the completeness, assembly and setting of the tool (see details below) before start to work. Repeat the checking regularly during your work.
- Always use the harness to carry the tool weight on the shoulder. If you use the harness cross your body, please learn how to use the quick release clasper on the harness and keep it in front of your body.
- It is recommended that the unexperienced user should have practical instruction in the use of the pole saw and the protective equipment from an experienced operator. The initial practice should be cutting logs on a saw horse or cradle.
- This tool is not intended for use by persons (including children) with reduced physical, sensory or mental capabilities, or lack of experience and knowledge, unless they have been given supervision or instruction concerning use of the appliance by a person responsible for their safety. Children should be supervised to ensure that they do not play with the appliance.
- Children and juveniles, with the exception of apprentices older than 16 years and under supervision, may not operate the product. The same applies for persons who do not or do not sufficiently know how to handle the product.
- The operating instructions should always be ready to hand. Persons unfit or tired must not operate the tool.
- Wait until the chain has come to a standstill completely before placing it down.
- Any servicing should be performed by an authorized service representative.

## ELECTRICAL SAFETY



### WARNING!

Do not permit fingers to touch the terminals of plug when installing or removing the extension cord from the plug.

1. Double insulated tools are equipped with a polarized plug (one blade is wider than the other and will require the use of a polarized extension cord. The Pole Saw's plug will fit into a polarized extension cord only one way. If the plug does not fit fully into the extension cord, reverse the plug. If the plug still does not fit, obtain a correct polarized extension cord. A polarized extension cord will require the use of a polarized wall outlet. This plug will fit into the polarized wall outlet only one way. If the plug does not fit fully into the wall outlet, reverse the plug. If the plug still does not fit, contact a qualified electrician to install the proper outlet. Do not change or alter the equipment plug, extension cord receptacle, or extension cord plug in any way.
2. Double insulation eliminates the need for the three-wire grounded power cord and grounded power supply system. Applicable only to Class II (double-insulated) tools. This Pole Saw is a double insulated tool.

## EXTENSION CORDS

Use a proper extension cord. **ONLY** use cords listed by underwriters Laboratories (UL). Other extension cords can cause a drop in line voltage,

resulting in a loss of power and overheating of tool. For this tool an AWG (American Wire Gauge) size of a least 14-gauge is recommended for an extension cord of 25-ft. or less in length. Use 12-gauge for an extension cord of 50-ft. Extension cords 100-ft. or longer are not recommended. Remember, a smaller wire gauge size has greater capacity than a larger number (14-gauge wire has more capacity than 16-gauge wire; 12-gauge wire has more capacity than 14-gauge). When in doubt use the smaller number.

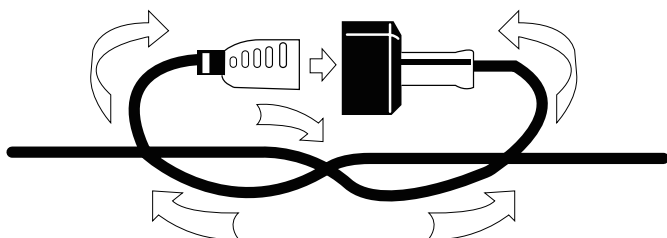
#### Minimum gauge for extension cords

Volts	Total length of cord in feet			
120 V	25	50	100	150

#### Ampere Rating

More than/Not more than	AWG			
0-6	18	16	16	14
6-10	18	16	14	12
10-12	16	16	14	12
12-16	14	12	Not recommended	

#### Securing extension cord



#### CAUTION:

Keep the extension cord clear of the work area. Position the cord so that it will not get caught on bushes, hedges, tree trunks, lawnmowers or other obstructions while you are working with the pole saw.

#### WARNING:

Check extension cords before each use. If damaged replace immediately. Never use tool with a damaged cord since touching the damaged area could cause electrical shock, resulting in serious injury.

#### RESIDUAL RISKS

#### WARNING:

Even when the unit is used as prescribed it is not possible to eliminate all residual risk factors. The following hazards may arise in connection with the unit's construction and design:

- Damage to lungs if an effective dust mask is not worn.
- Damage to hearing if effective hearing protection is not worn.
- Health defects resulting from vibration emission if the unit is being used over long periods of time or not adequately managed and properly maintained.

#### WARNING:

This unit produces an electromagnetic field during

operation. This field may, under some circumstances, interfere with active or passive medical implants. To reduce the risk of serious or fatal injury, we recommend persons with medical implants to consult their physician and the medical implant manufacturer before operating this unit.

#### WARNING:

Inspect unit before each use. Replace damaged parts. Make sure all fasteners are in place and secure. Replace parts that are cracked, chipped, or damaged in any way. Make sure the cutting attachment is properly installed and securely fastened.

#### WARNING:

Do not operate the unit inside a closed environment, such as a room or building.

#### REDUCING KICKBACK

Kickback can occur when the tip of the guide bar touches an object or when the wood closes in and pinches the saw chain inside of the cut. Tip contact can kick the guide bar up and back towards the operator.

#### WARNING:

The danger of a kickback is greatest when attempting to cut near or with the guide bar tip. Always apply the saw as flatly as possible in order avoid a loss of control during operation.

Pinching the saw chain along the top of the guide bar can push the bar rapidly towards the operator. Either of these reactions may cause a loss in control of the saw, increasing the chances of serious personal injury. Do not rely on the safety devices built into the saw. Kickback is the result of tool misuse and/or incorrect operating procedures. These conditions can be minimized with the following steps:

1. Maintain a firm grip, with thumbs and fingers encircling the pole saw handles. Both hands should be on the saw with your body and arms in a position to resist kickback forces.
2. Do not overreach and keep the work area free from obstructions.
3. Only use replacement bars and chains specified by Senix. Replace dull blades as necessary.
4. Do not let the tip of the guide bar contact any surfaces.
5. Keep proper tension on the blade at all times. Check the tension at regular intervals.
6. Cuts should only take place while the chain is moving at full speed. Do not turn the saw ON or OFF in the middle of a cut. Use extreme caution when re-entering a previous cut.
7. Cut one branch at a time. Do not attempt plunge or bore cuts. Watch for shifting logs or other external forces that could close a cut and pinch the chain.
8. Make a precut on the opposite side of the log to avoid the blade from being pinched during operation as another safeguard against kickback.

## SAWING TECHNIQUES



### **WARNING:**

When removing branches, hold the pole saw at an angle ranging from 0 to 60° in order to avoid being struck by a falling branch. The saw should never be operated directly above head.

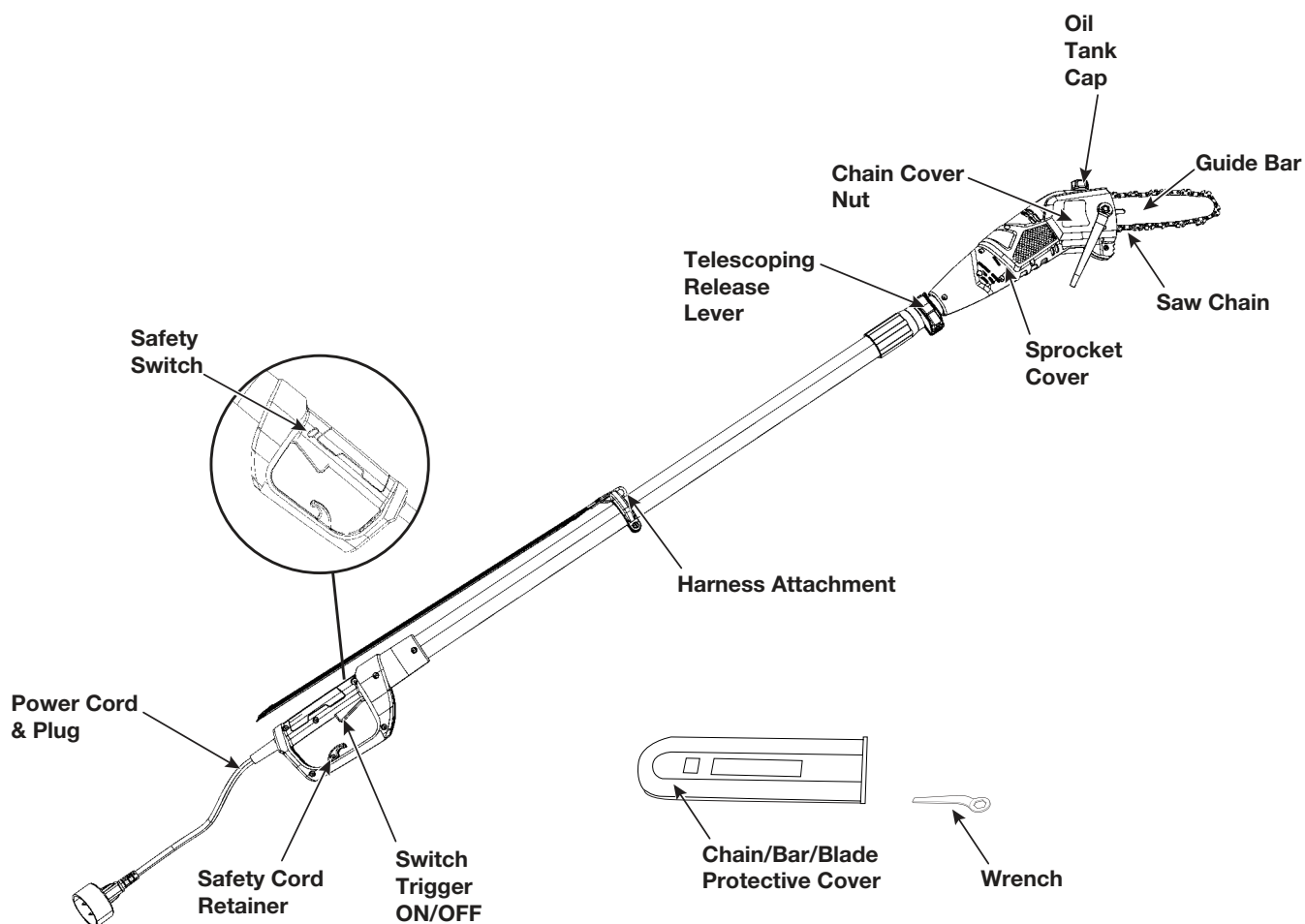
- Saw off the lower branches on the tree first. By doing so, it is easier for the cut branches to fall to the ground.
- At the end of the cut, the weight of the saw suddenly increases for the user since it is no longer being supported by a branch. There is a risk of losing control of the saw, so make sure to stay alert during the entire sawing operation.
- Only pull the saw out of a cut while the saw is running. By doing so, you prevent the chain from jamming in the wood.
- Do not saw with the tip of the guide bar. Do not saw into the branch formations (where the tree branches outwards). This will impede the tree's ability to heal.
- For sawing off smaller branches, place the stop face of the saw on the branch. This prevents unwanted movements of the saw at the beginning of the cut. While applying light pressure, guide the saw through the branch from top to bottom.
- For sawing off larger branches, first make a relief cut. Saw through 1/3 of the branch diameter from the bottom to top using the top side of the guide bar. Then saw from top to bottom for the other 2/3 using the bottom side of the guide bar.
- Saw off longer branches in sections in order to maintain control over the location of impact.
- When working on an incline, always stand above or to the side of the branch being sawed. Hold the tool as close as possible to your body. By doing so, you maximize your balance.

## KNOW YOUR UNIT

### APPLICATIONS

As a pole saw:

- Cutting small limbs
- General tree pruning



### SPECIFICATIONS\*

Rated Voltage .....	120V~ 60Hz
Rated current.....	6.5A
Motor type.....	Universal Motor
No load speed .....	5200 RPM
Oil tank capacity .....	2.04 oz. (60 ml)
Saw chain .....	8 inch (203 mm), Oregon, 91PJ033X
Guide bar.....	8 inch (203 mm), Oregon, 080SDEA041
Weight .....	6.8 lbs. (3.1 kg)

\* All specifications are based on the latest product information available at the time of printing. We reserve the right to make changes at any time without notice.

## ASSEMBLY

This product requires assembly. Carefully remove the product and any accessories from the box. Make sure that all items listed in the packing list are included. Inspect the product carefully to make sure no breakage or damage occurred during shipping. Do not discard the packing material until you have carefully inspected and satisfactorily operated the product. If any parts are damaged or missing, please call 1-800-261-3981 for assistance.

### **! WARNING:**

Do not use this product if any parts on the packing list are already assembled to your product when you unpack it. Parts on this list are not assembled to the product by the manufacturer and require customer installation. Use of a product that may have been improperly assembled could result in serious personal injury.

### INCLUDED PARTS

Quantity	Item
1	Operator's manual
1	Chain protective cover
1	Bar nut wrench
1	Harness

### **! WARNING:**

To prevent an accidental start that could cause serious personal injury, always disconnect the motor spark plug wire from the spark plug when assembling parts.

### **! WARNING:**

Never install, remove, or adjust any attachments while power head is running. Failure to stop the motor can cause serious personal injury.

### **! WARNING:**

Do not allow familiarity with this product to make you careless. Remember that a careless fraction of a second is sufficient to inflict serious injury.

### **! WARNING:**

Always wear eye protection with side shields marked to comply with ANSI Z87.1, along with hearing protection. Failure to do so could result in objects being thrown into your eyes and other possible serious injuries.

### USING THE RIGHT OIL

### **! WARNING:**

If any part of the pole saw is missing or damaged, do not connect to power source or operate the pole saw until the damaged part is repaired or replaced.

**DO NOT** discard box or packing material until all parts are examined.

**NOTE:** Chain and Bar Oil is not included. You must fill the Pole Saw with SAE30 oil BEFORE use.

**NOTE:** Remove the Chain/Bar/Blade Protective Cover before use.

### INSTALL THE CHAIN BAR AND CHAIN

### **! WARNING:**

Disconnect the spark plug wire before performing maintenance or assembly procedures.

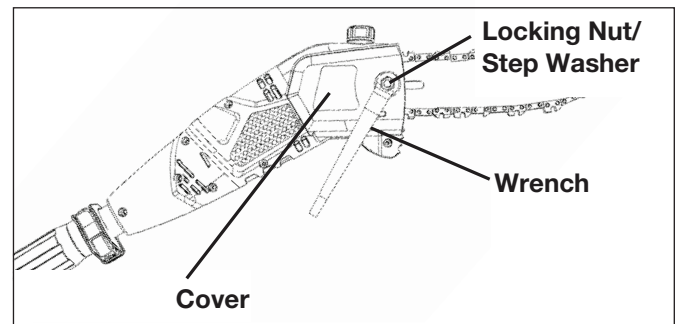
### **! WARNING:**

Cutting edges on chain are sharp. Use protective gloves when handling chain.

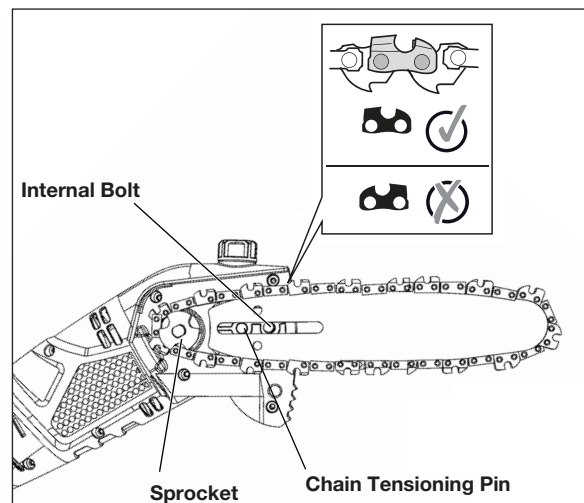
### **! WARNING:**

ALWAYS maintain proper chain tension. A loose chain will increase the risk of kickback. A loose chain may jump out of chain bar groove. This may injure operator and damage chain. A loose chain will cause chain, chain bar, and sprocket to wear rapidly. The chain life of the saw chain mainly depends upon sufficient lubrication and correct tensioning. Avoid tensioning the chain if it is hot, as this will cause the chain to become over tensioned when it cools down.

1. Place the saw body on a firm and level surface.

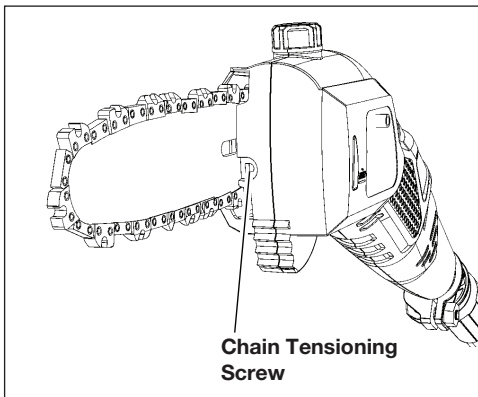


2. Using the supplied wrench, turn the bar adjustment locking nut counter-clockwise to loosen it. Remove the locking nut, step washer, and cover.

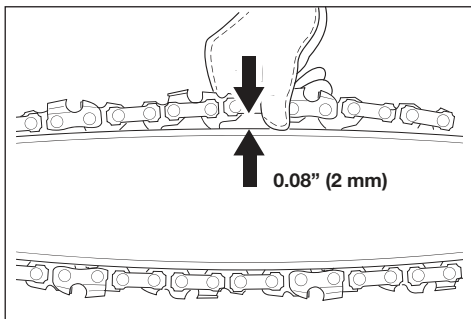




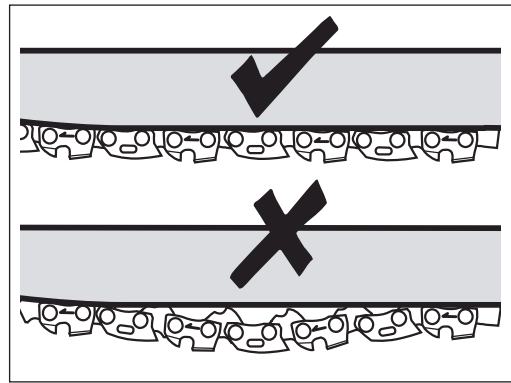
- Wearing protective gloves, wrap the saw chain around the chain bar, making sure that the teeth are aimed in the direction of rotation. The chain should be properly set in the slot running along the entire outside edge of the chain bar.
- Place the saw chain around the sprocket while lining up the slot in the chain bar with the internal bolt at the base of the saw and the chain tensioning pin in the chain bar's pin hole. The chain tensioning pin may need adjustment to properly align with the hole in the chain bar. Use a flat-blade screwdriver to turn the chain tensioning screw to adjust the location of the pin until it fits in the chain bar.



- Turn the chain tensioning screw clockwise to preliminarily tighten the chain bar enough that it stays in place.
- Install the step washer and locking nut. Using the supplied wrench, turn the locking nut clockwise to tighten it. **DO NOT** overtighten.



- Check the chain tension by pulling the saw chain away from the chain bar. A properly tensioned chain should have roughly 0.08 inch (2 mm) of distance between itself and the bar guide.
- If adjustments are needed, loosen the bar adjustment locking nut one full turn.
- To adjust the saw chain tension, turn the chain tensioning screw. Turning the screw clockwise increases the tension while turning it counter-clockwise decreases tension. A properly tensioned chain should have no sag and should only be able to be pulled 0.08 inch (2 mm) away from the chain bar of the saw.
- Once the chain is properly tensioned, tighten the bar adjustment locking nut. **DO NOT** over-tension the chain: this will lead to excessive wear and reduces the life of both the bar and chain.



## **! CAUTION:**

The saw chain must be tensioned properly in order to ensure safe operation.

Because the saw chain heats up during operation, its length can fluctuate. Check the chain tension every 10 minutes of operation and adjust as necessary, particularly for new saw chains.

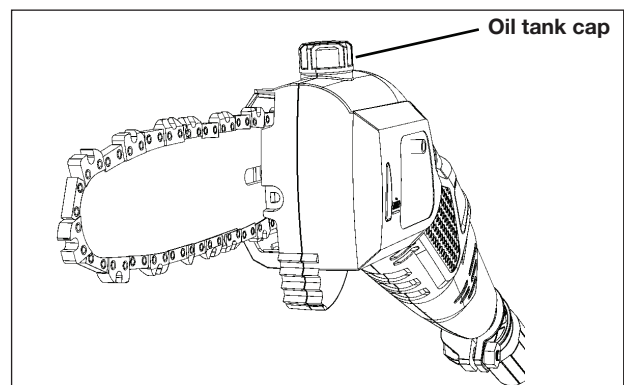
**TIP:** The saw chain shortens when cooling down. Loosen the saw chain after work is completed to elongate the chain's life and prevent possible damage.

## **SAW CHAIN LUBRICATION**

The pole saw features automatic chain lubrication. Never operate the pole saw without saw chain oil. The use of the pole saw without enough saw chain oil will damage the unit.

**IMPORTANT:** Only use SAE300 saw chain oil. Other oils will run the risk of damaging the unit and voiding the warranty. Take note of temperature conditions. Using the saw at various temperatures requires the use of differing oils. To ensure a sufficient layer of lubricant at lower temperatures, use liquid oil (low viscosity).

## **FILLING THE OIL TANK**



- Place the saw on a level surface. Clean the area around the oil tank cap and then open it.

## **! CAUTION:**

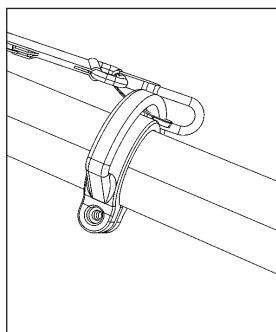
Make sure that no dirt gets into the oil tank to prevent clogging in the oil nozzle.

- Fill the oil tank with 2.04 oz. (60 ml) of saw chain and bar oil.
- Close the oil tank cap.

## INSTALL THE HARNESS

The harness with quick release function can be hooked behind the rear hand if needed.

**NOTE:** Harness use is optional.



## OPERATION

### **! WARNING:**

Do not use any attachments or accessories not recommended by the manufacturer of this product. The use of attachments or accessories not recommended can result in serious personal injury.

### **! WARNING:**

Motor housing can become hot during pole saw operation. Do not rest or place your arm, hand, or any body part against the motor housing. Extended contact with the motor housing can result in burns or other injuries.

### **! WARNING:**

Always position the unit on the operator's right side. The use of the unit on the operator's left side will expose the user to hot surfaces and can result in possible burn injury. To avoid burns from hot surfaces, never operate unit with the bottom of the motor above waist level.

### **! WARNING:**

Do not allow familiarity with this product to make you careless. Remember that a careless fraction of a second is sufficient to inflict serious injury.

### **! WARNING:**

Always wear eye protection with side shields marked to comply with ANSI Z87.1, along with hearing protection. Failure to do so could result in objects being thrown into your eyes and other possible serious injuries.

### **! WARNING:**

Do not use any attachments or accessories not recommended by the manufacturer of this product. The use of attachments or accessories not recommended can result in serious personal injury.

### **! WARNING:**

Operation of this equipment could create sparks that can start fires around dry vegetation. The operator should contact local fire agencies for laws or regulations relating to fire prevention requirements.

### **! WARNING:**

Operate this unit only in a well-ventilated outdoor area.

### **! CAUTION:**

Do not overwork yourself. Take regular breaks and change working position to ensure you can concentrate on the work and have full control over the product. Maintain firm footing and balance during operation.

### **! CAUTION:**

Inspect unit before each use. Replace damaged parts. Check for fuel leaks. Make sure all fasteners are in place and secure.

## PREPARATION

Before each use, check the following items to ensure safe working conditions.

**POLE SAW:** Before beginning work, inspect the pole saw for damage to the housing, the saw chain and the guide bar. Never use a damaged machine.

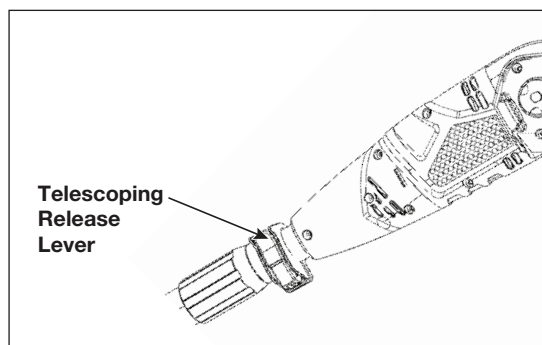
**OIL TANK:** Check the fill level of the oil tank. Also check whether there is sufficient oil available while working. Never operate the saw if there is no oil or the oil level is not visible in order to prevent damage to the pole saw.

**SAW CHAIN:** Check the tension of the saw and the condition of the blades. The sharper the saw chain is, the easier and more manageable operations will be. The same applies to chain tension.

Check the tension every 10 minutes of operation to maximize safety. New saw chains in particular are subject to changes due to the heat created by operation.

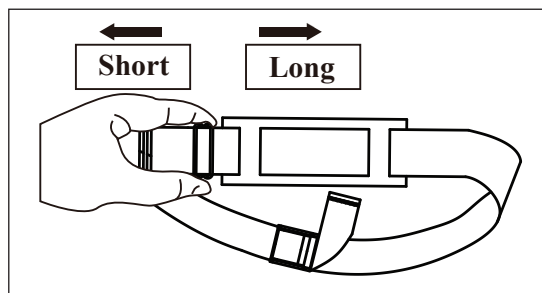
**PROTECTIVE CLOTHING:** make sure to wear the appropriate close-fitting protective clothing such as hainsaw-protective pants, gloves and safety shoes. Wear a safety helmet with integrated hearing protection and a face guard to provide protection against falling and recoiling branches.

## ADJUSTING THE TELESCOPING HANDLE



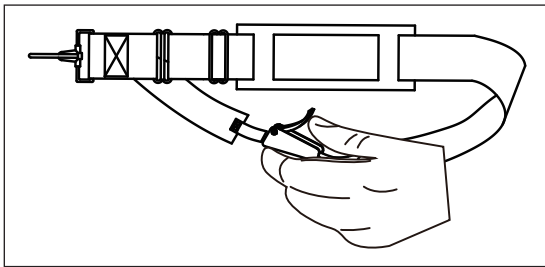
1. Unlock the telescope release lever so that the pole can freely extend outwards and inwards.
2. Extend it to the desired length and lock the telescope release lever to hold it in place.

## ADJUSTING THE HARNESS



Adjust the harness to a length which is suitable for your operation.

Always use the harness to carry the product weight on your shoulder (on the same side of tool or cross your body). Ensure that the quick release is on your chest (NOT on your back).

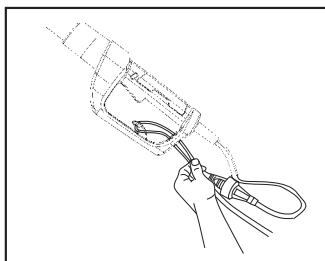
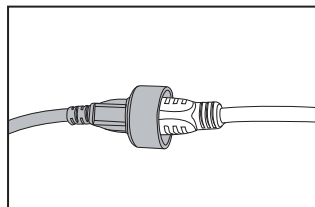
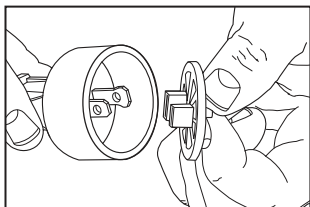


Open the quick release clamp if it is necessary to open the harness quickly.

## ATTACHING THE EXTENSION CORD

### ! WARNING:

You should only use extension cords for outdoor use, PVC or rubber cord ordinary duty with a cross sectional area not less than 1.5 mm. Before and during use, check the supply and extension cords for damage. Do not use the appliance if the cord is damaged or worn. Keep extension cord away from cutting elements. If the cord is damaged during use, disconnect the cord from the supply immediately. Do not touch the cord before disconnecting the supply.



Remove the plug safety cap. Insert the extension cord socket into the pole saw plug. An extension cord retainer is attached to the handle to reduce strain on the cord.

To use the cord retainer, double the extension cord as shown, about a foot from the end, and insert it into the end of the retainer. Place the loop formed by doubling the cord over the hook. Gently tug on the cord to ensure that it is firmly situated in the retainer.

Keep the extension cord clear of operator, unit, and any obstacles at all times. Do not expose the cord to heat, oil, water, or sharp edges.

## HOLDING THE UNIT

- Stand in the operating position Stand up straight. Do not bend over.
- Keep feet apart and firmly planted.
- Hold the shaft grip with the right hand. Keep the right arm slightly bent.
- Hold the handle with the left hand. Keep the left arm straight.
- Hold the unit at waist level.

- Position the cutting head a few inches above the ground.
- Do not over-reach; Keep all parts of your body away from the rotating cutting attachment and hot surfaces.

## AVOIDING KICKBACK DURING USE

Kickback occurs when the chain (at the tip of the guide bar) comes in contact with a log or wood, or when the saw chain becomes jammed, often when sawing sideward, slanted or during lengthwise cuts.

### ! WARNING:

When kickback occurs, the pole saw can react unpredictably and cause severe injuries to the operator or bystanders.

#### To avoid kickback:

- Saw with guide bar at a flat angle
- Do not work with a loose, overstretched or worn out chain
- Ensure chain is sharpened correctly
- Do not work with the tip of the guide bar
- Hold the pole saw firmly with both hands
- Use a low kickback chain
- Ensure correct chain tension.

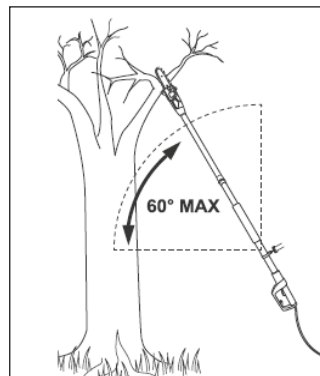
## HANDLING POLE SAW

- Hold the Pole Saw with both hands using the soft grip.
- Fully grip both handles at all times during operation.

### ! WARNING:

Do not operate Pole Saw using only one hand.

- Hold the Pole Saw at a max. angle of 60° from the horizontal level.



### ! WARNING:

Do not stand directly under the limb you are sawing. Objects may fall different than expected. Position yourself well out of the path of falling limbs. Keep bystanders away from cutting end of garden power tool and a safe distance from the work area.

- Maintain a minimum distance of thirty feet to bystanders.

### ! WARNING:

Do not stand on a ladder or other support while using Pole Saw.

- Make sure the power cord is located to the rear, away from the chain and wood, and kept free of branches during cutting.
- Hold the Pole Saw to the side of your body.

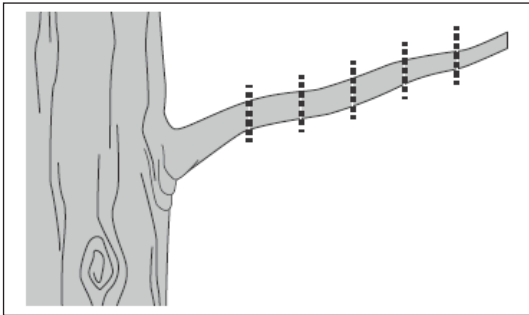
## **⚠ WARNING:**

Do not operate the Pole Saw with arms fully extended or attempt to saw areas that are difficult to reach.

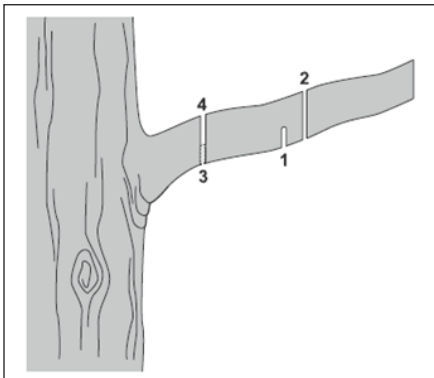
- Keep a firm, steady pressure on the Pole Saw while working. Do not try to force the Pole Saw through the wood, let the chain do the work. Use the gripping teeth to apply minimal leverage pressure.
- Use caution when reaching end of cut. The Pole Saw's weight may change unexpectedly as it cuts free from the wood. Always remove the Pole Saw from a wood cut while it is running.

### **CUTTING THIN BRANCHES**

- Thin branches can be cut off with a single cut.
- To prevent the branch from splintering and buckling, cut the branch off in several pieces.



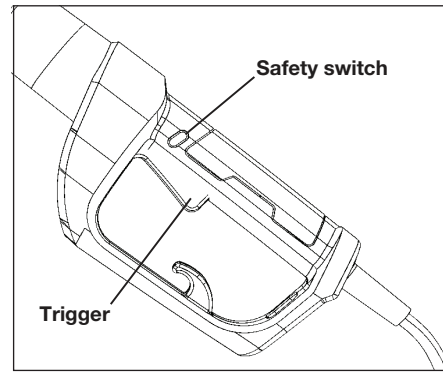
### **CUTTING THICK BRANCHES**



When cutting larger branches, the following four cuts are necessary:

- First cut into the branch from below, outside of the location where you intend to cut off the branch.
- The cut should go one third to halfway through the branch (1).
- Cut into the branch from the top, making sure it's outside from where the branch is to be sawed (2).
- To keep stump and branch from splintering, do a stub undercut below branch (3).
- Cut off the stump with one clean cut from top to bottom. If desired, seal the cut with a suitable compound (4).
- When finished cutting, turn off the Pole Saw and disconnect its power supply after use.
- Clean, then store the appliance indoors out of children's reach.

### **STARTING AND STOPPING**



To turn ON, hold the pole saw firmly with both hands. Press and hold the safety switch located on the left-hand side of the rear handle above the main power trigger.

Press the trigger to turn it ON. The safety switch can now be released. To turn OFF, release the ON/OFF trigger switch.

### **IF ASSISTANCE IS REQUIRED FOR THIS PRODUCT:**

Do not return this product to the retail store where it was purchased. Please call our Customer Service Department for any issues you may have. For Help Call: 1-800-261-3981

## MAINTENANCE

When servicing, use only identical replacement parts. Use of any other parts could create a hazard or cause product damage.

### **! WARNING:**

To avoid serious personal injury, always stop the motor and allow it to cool before cleaning or maintaining the unit. Never perform cleaning or maintenance while the unit is running. Disconnect the spark plug wire to prevent the unit from starting accidentally.

### **! WARNING:**

Wear protective clothing and observe all safety instructions to prevent serious personal injury.

### CLEANING

Use a small brush to clean the outside of the unit. Do not use strong detergents. Household cleaners that contain aromatic oils such as pine and lemon, and solvents such as kerosene, can damage plastic. Wipe off any moisture with a soft cloth.

Correct and regular cleaning is not only important for the safe use of this product, but also extends its life span.

### REPLACING THE SAW CHAIN AND CHAIN BAR

### **! WARNING:**

Only use replacement bar/chain combination listed. DO NOT use any other bar/chain combination.

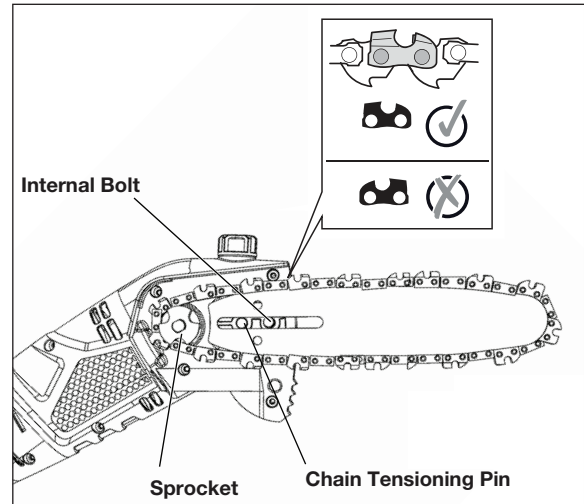
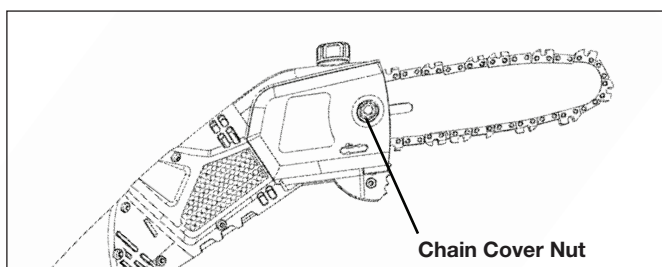
### **! WARNING:**

When handling saw chains, always wear protective gloves.

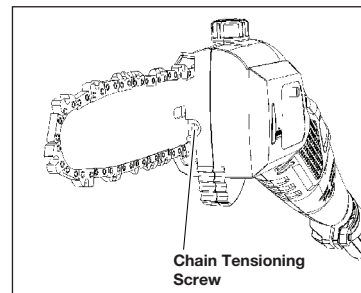
**Guide bar:** 8 inch (203 mm), 080SDEA041, Oregon  
**Saw chain:** 8 inch (203 mm), 91PJ033X, Oregon

Replace chain when cutters are too worn to sharpen or when chain breaks. Only use replacement chain noted in this manual. Always include new drive sprocket when replacing chain. This will maintain proper driving of chain.

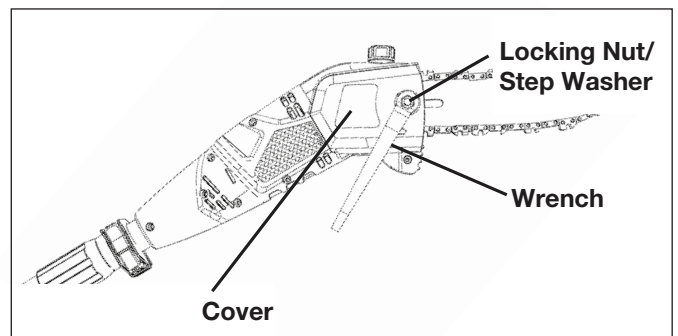
1. Place the saw body on a firm and level surface.
2. Using the supplied wrench, turn the chain sprocket cover nut counter-clockwise to loosen it. Remove the nut and cover.



3. Wearing protective gloves, wrap the saw chain around the chain bar, making sure that the teeth are aimed in the direction of rotation. The chain should be properly set in the slot running along the entire outside edge of the chain bar.
4. Place the saw chain around the sprocket while lining up the slot in the chain bar with the internal bolt at the base of the saw and the chain tensioning pin in the chain bar's pin hole. The chain tensioning pin may need adjustment to properly align with the hole in the chain bar. Use a flat-blade screwdriver to turn the chain tensioning screw to adjust the location of the pin until it fits in the chain bar.

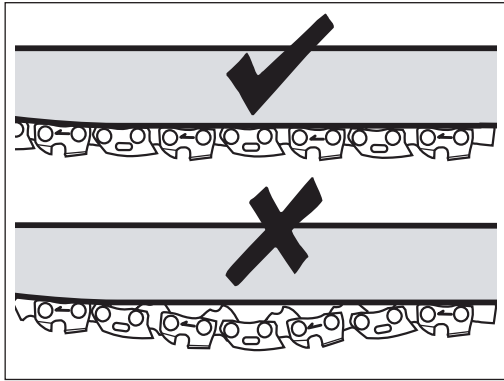


5. Turn the chain tensioning screw clockwise to preliminarily tighten the chain bar enough that it stays in place. While holding the bar still, place the cover back onto the saw. Make sure the tab properly lines up with the slot on the body of the saw.

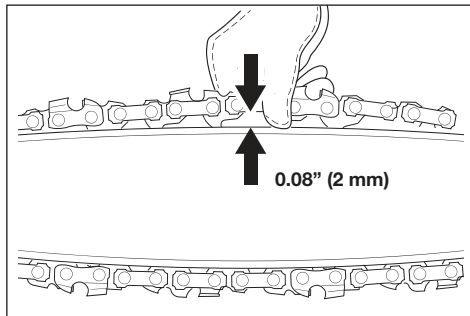


6. Install the collar and locking bolt. Using the supplied wrench, turn the locking nut clockwise to tighten it. DO NOT overtighten. Adjust the chain tension.

## TENSION THE CHAIN



1. Check the chain tension by pulling the saw chain away from the chain bar. A properly tensioned chain should have roughly 0.08 inch (2 mm) of distance between itself and the bar guide.
2. If adjustments are needed, loosen the bar adjustment locking nut one full turn.
3. To adjust the saw chain tension, turn the chain tensioning screw. Turning the screw clockwise increases the tension while turning it counter-clockwise decreases tension. A properly tensioned chain should have no sag and should only be able to be pulled 0.08 inch (2 mm) away from the chain bar of the saw.
4. Once the chain is properly tensioned, tighten the bar adjustment locking nut. DO NOT over-tension the chain: this will lead to excessive wear and reduces the life of both the bar and chain.



## **!** CAUTION:

The saw chain must be tensioned properly in order to ensure safe operation.

## REPLACING THE POWER CORD

If the supply cord of this power tool is damaged, it must be replaced by a specially prepared cord. Inspect the power cord and plug often. If damaged, have replaced by a qualified service dealer.

## STORAGE

## **!** CAUTION:

Install the guide bar cover when transporting to prevent personal injury.

Examine the unit thoroughly for worn, loose or damaged parts. If you need to repair or replace a part, contact Senix customer service at 1-800-261-3981.

- Clean the unit before storing.
- Store the unit with the chain protective cover installed.
- Store the tool out of reach for children and other

unauthorized persons in a well-ventilated, dry and frost-free environment.

- Protect the machine against dust and moisture.
- Cover it in order to provide added protection.

## TRANSPORTATION

## **!** CAUTION:

Install the guide bar cover when transporting to prevent personal injury.

Transport the unit in a horizontal position. If not possible, transport the unit vertically with the motor at the top. Secure the pole saw to prevent damage during transport.

## SHARPENING THE SAW CHAIN

### **⚠️ WARNING:**

Unplug unit from power source before servicing. Severe injury or death could occur from electrical shock or body contact with moving chain. Cutting edges on chain are sharp. Use protective gloves when handling chain.

Keep chain sharp. Your saw will cut faster and more safely. A dull chain will cause undue sprocket, guide bar, chain, and motor wear. If you must force chain into wood and cutting creates only sawdust with a few large chips, then chain is dull.

Purchase a new chain, have your chain sharpened professionally at a qualified service center, or sharpen the chain yourself using a proper sharpening kit. The height difference between the cutting tip and the ridge is the depth gauge setting.

When you sharpen the cutting tip, the depth gauge setting between the tip and the side plate ridge will decrease. To maintain optimal cutting performance, the ridge has to be filed down to achieve the recommended depth gauge setting.

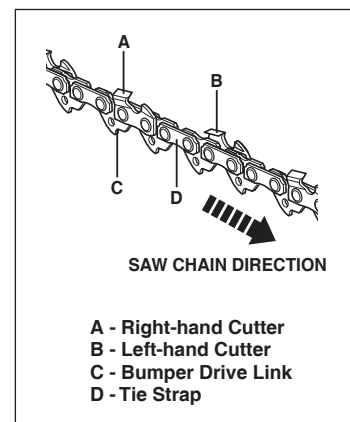
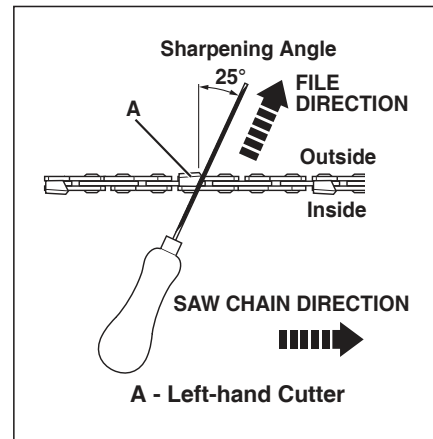
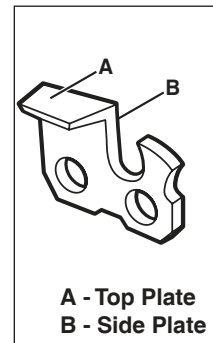
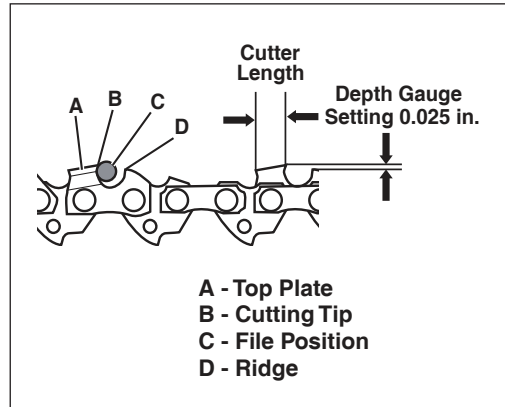
#### To sharpen the chain:

1. Using protective gloves, ensure the chain is correctly tensioned on the guide bar.
2. Use a round file with a diameter 1.1 times the cutting tooth depth. Make sure 20% of the file diameter is above the cutter's top plate.

**NOTE:** A file guide is available from most pole saw retailers and is the easiest way to hold the file at the correct position.

3. File at an angle perpendicular to the bar, and at an angle of 25° to the direction of travel.
4. File each tooth from the inside towards outside only. File one side of the chain first then turn the saw around and repeat the process.

- Sharpen each tooth equally by using the same number of strokes.
- Keep all cutter lengths equal. Each time the cutting tip is sharpened the cutting length is reduced. When the cutter length is reduced to 0.16 inch (4 mm), the chain is worn out and should be replaced.
- The depth gauge setting is also reduced with each sharpening.. Every 5 sharpenings use a depth gauge measuring tool to check the height between the cutting tip and the ridge. When necessary, use a flat file to file down the ridge to achieve the .025 inch depth gauge setting. Depth gauge measuring tools are available from most pole saws retailers.
- If the saw is not functioning properly, take it to a qualified pole saw service center to have the saw inspected. Use only identical parts as listed in this manual.

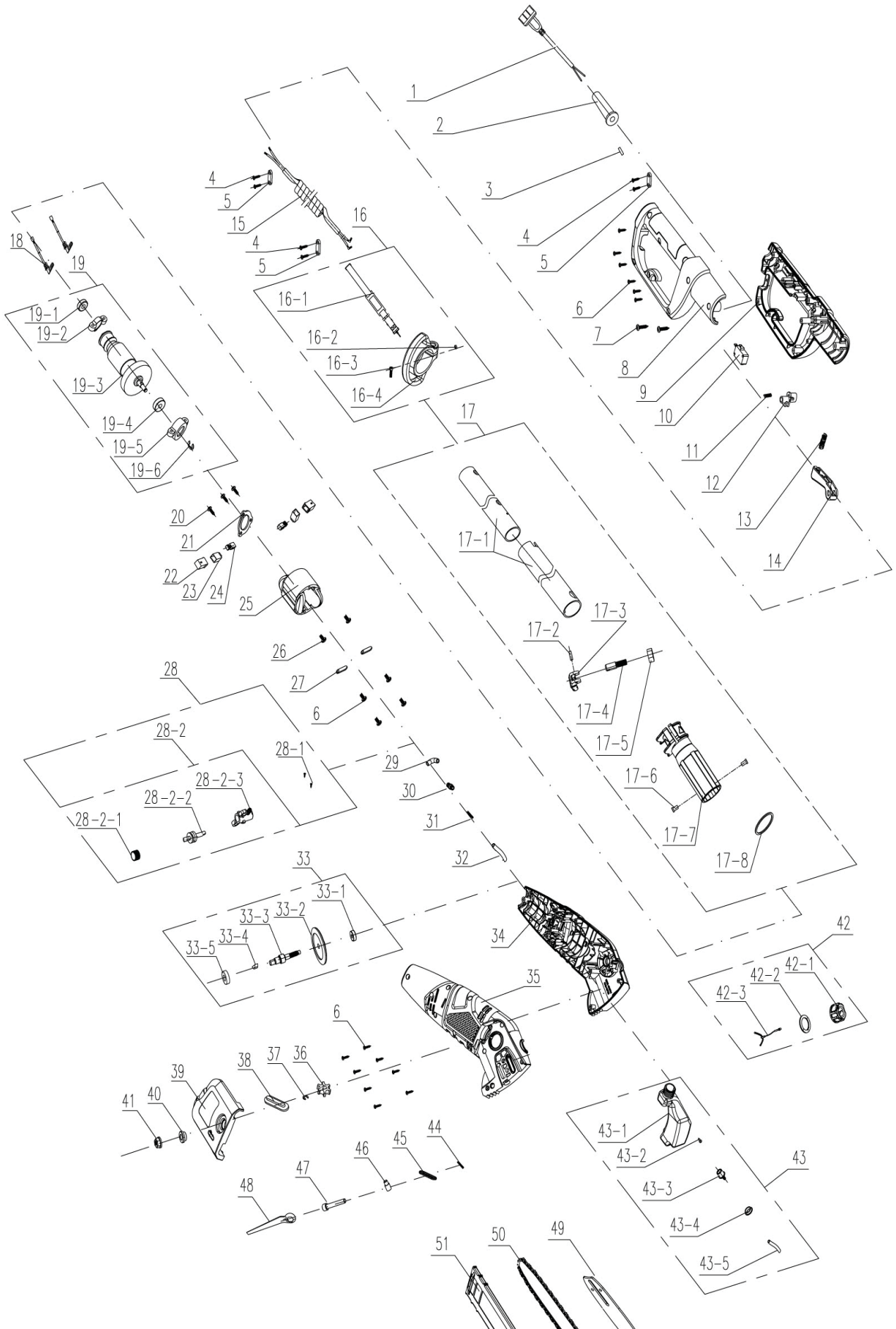




## TROUBLESHOOTING

SYMPTOM	POSSIBLE CAUSE	Fill the fuel tank with fresh fuel
Motor stops while cutting	Chain pinched in cut.	Undercut limb to relieve pressure on limb.
	Overheating of control system.	Let the unit cool down.
	Safety switch not pressed.	Press the safety switch before squeezing the trigger switch.
	Debris in side cover.	Remove chain sprocket cover and clean out debris.
	Overheating of motor.	Let the motor cool down.
Motor runs, but saw chain does not rotate	Chain not engaging drive sprocket.	Reinstall the chain, making sure the drive links on the chain are fully seated on the drive sprocket.
	Guide bar nose sprocket is not turning.	Replace the guide bar.
Pole saw does not cut properly	Insufficient chain tension.	Tension the chain.
	Dull chain.	Sharpen or replace the chain.
	Chain installed backwards.	Install the chain with the teeth facing the correct direction.
	Worn chain.	Replace the chain.
	Dry or excessively stretched chain.	Check the oil level. Refill oil reservoir if necessary.
	Chain not in bar groove.	Reseat chain onto groove.

# PARTS



## PARTS LIST

No.	Part #	Description
1	203002000015	Cable/Plug
2	207099900006	Cable sheath
3	301200005	Heat shrinkable tube
4	207310100041	Self tapping screw
5	207089900001	Cable clamp
6	8SJAB40-14D	Self tapping screw
7	207310100073	Self tapping screw
8	202024002424	Right handle
9	202024002423	Left handle
10	207180800008	Control switch
11	207019900024	Anti lock button spring
12	202003001777	Lock off button
13	207019900315	Switch spring
14	202003001776	Switch button
15	207039900469	Spring connection
16	199007000045	Backband Ring Component
16-1	208008000004	Backband
16-2	207320100008	Nut
16-3	207310100704	Screw
16-4	202040000031	Backband Ring
17	199060000507	Tube assembly
17-1	199060000347	Tube assembly
17-2	207199900054	Cylindrical pin
17-3	202026000219	Adjust the button
17-4	207229900169	Quick clamping adjusting bolt
17-5	207320100050	Lock nut
17-6	207199900110	Fixed pin
17-7	202031000164	Connecting bracket
17-8	207269900014	Big Split washer
18	207039900040	Carbon brush connection wire
19	199133000044	Rotor component
19-1	207390100018	Bearing 607
19-2	202032000013	Bearing sleeve
19-3	106001000088	Rotor assembly
19-4	207390100069	Bearing 6000
19-5	202032000015	Bearing sleeve
19-6	207340100049	Split washer
20	207310100148	Countersunk head tapping screws
21	201057000095	Bearing Pressure plate
22	207129900022	Bushing
23	207119900044	Carbon brush
24	202016002615	Brush shell
25	107001000061	Stator
26	207310100022	Self tapping screw

No.	Part #	Description
27	299999000054	Pressure plate
28	199010000040	Oil pump assembly
28-1	207310100324	Flange tapping screw
28-2	199010000147	Oil pump assembly
28-2-1	202001000002	worm gear
28-2-2	201004000103	Worm gear tooth
28-2-3	202999001599	Pump body
29	202019000177	Rubber joint
30	202019000171	Pipe connection connector
31	207019900001	Tubing setting spring
32	302000002	Transparent oil tube
33	199101000045	Output shaft assy
33-1	207390100011	Bearing 606
33-2	201004000091	Big gear
33-3	201999000724	Woodruff key
33-4	201025000118	Output shaft
33-4	207390100180	Bearing 6900
34	202016003791	Left housing
35	202016003790	Right housing
36	201035000003	Sprocket
37	207340100049	Split washer
38	207279900043	End cap seal ring
39	202011000543	End cover
40	207289900054	Axle sleeve
41	207320100061	Hexagon flange nut
42	199123000363	Oil box cap assy
42-1	202165000571	Oil box cap
42-2	207279900031	Oil box cap seal rings
42-3	202014000001	Prevent loss hook
43	199124000015	Oil box assembly
43-1	202164000013	Oil box
43-2	202074000003	Valve
43-3	199071000126	Oil-out connector assembly
43-4	207279900050	Oil outlet sealing ring
43-5	302000000	Transparent oil tube
44	207019900002	Tubing setting spring
45	207279900050	Oil outlet sealing ring
46	207169900011	Tighten the nut
47	207229900133	Tighten the screws
48	207179900012	Spanner
49	202009000201	Knife set
50	205001000003	Chain
51	205001000090	Chain board

# WARRANTY

## LIMITED TWO-YEAR WARRANTY

2-year limited warranty on all Senix E series outdoor electric powered equipment.

FOR TWO YEARS from the original date of retail purchase this Senix product is warranted against defects in materials or workmanship on power tools. Defective product will receive free repair.\*

This warranty does not cover normal wear of parts and components such as cutting chain, line or blades nor does this warranty cover product transportation cost for warranty or service.

Warranty is subject to the following conditions:

- Warranty applies to the original purchaser at retail and is not transferrable\*
- Warranty Registration at [www.senixtools.com](http://www.senixtools.com)
- The tool has not been misused, abused, neglected, altered, modified or repaired by anyone other than an authorized servicecenter
- Only genuine Senix accessories have been used with or on this product
- The tool has been subjected to normal wear and tear
- The tool has not been used for trade or professional purposes
- The tool has not been used for rental purposes
- This warranty only covers defects arising under normal usage and does not cover any malfunction, failure or defect resulting from misuse, abuse (including overloading the product, exposure to water or rain) accidents, neglect or lack of proper installation and improper maintenance or storage.

To locate your nearest Senix service provider call toll free at 800-261-3981 or email us at [service@senixtools.com](mailto:service@senixtools.com).

### Additional Limitations

Any implied warranty granted under state law, including warranties of merchantability or fitness for a particular purpose, are limited to three years from the date of purchase on power tools and chargers and seven years on batteries. The manufacturer is not responsible for direct, indirect, incidental or consequential damages. Some states and provinces do not allow limitations on how long an implied warranty lasts and/or do not allow the exclusion or limitation of incidental damages, so the above limitations and exclusions may not apply to you. This warranty gives you specific legal rights, and you may also have other rights which vary from state to state or province to province.

The YAT USA declines any responsibility in regard to civil liability arising from abusive use or not in conformity with proper use and maintenance of the machine as described in the operator's manual.

YAT USA is not responsible for direct, indirect, incidental or consequential damages.

After the purchase, the manufacturer recommends proper maintenance of the machine and to read the operator's manual before using the machine.

\*Original purchase receipt may be required for proof of purchase

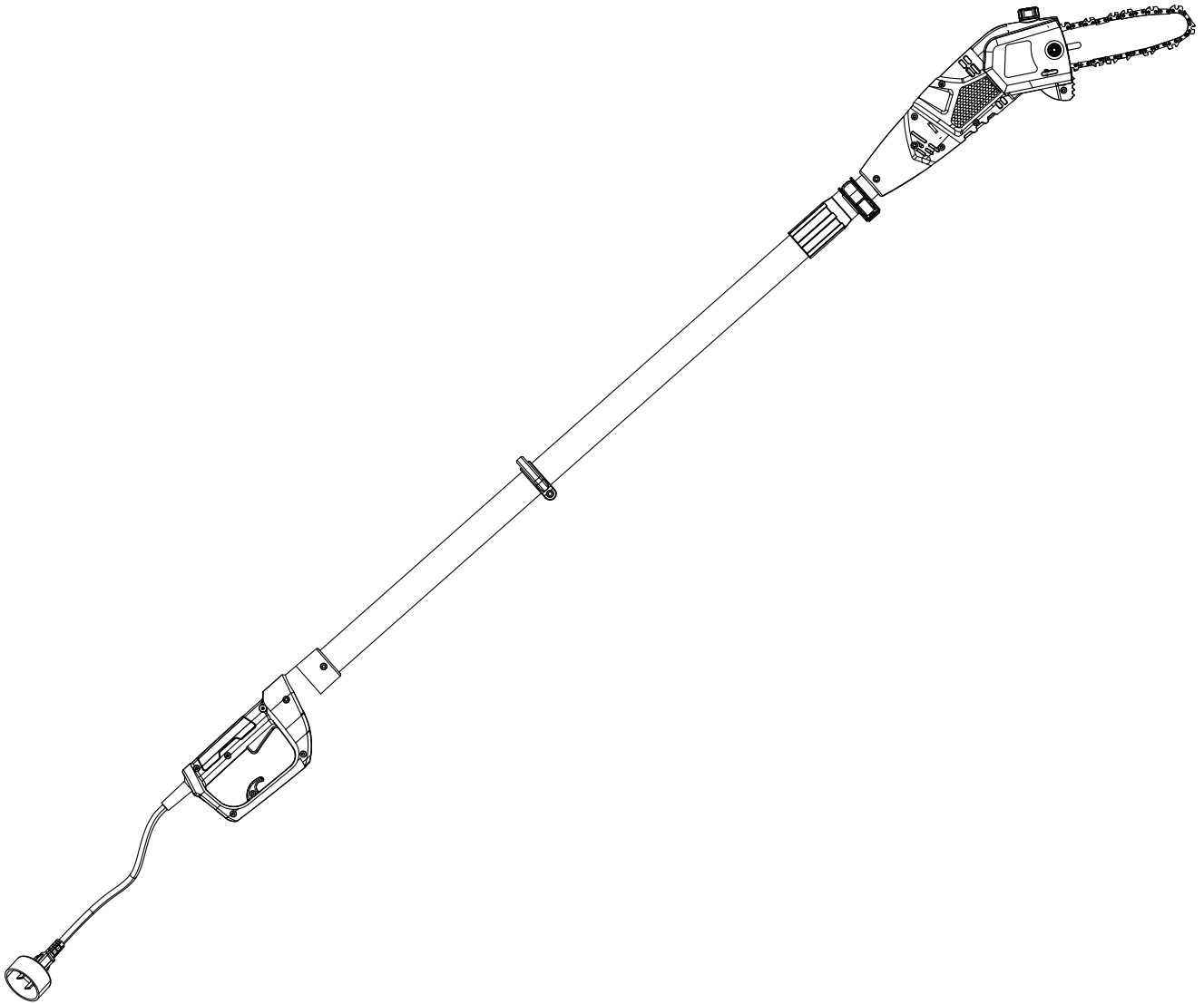
For customer service contact us toll free at 1-800-261-3981 or [Senixtools.com](http://Senixtools.com).

YAT USA, Inc. 9048 E Bahia Dr, suite 105, Scottsdale, AZ 85260



# Podadora de altura eléctrica

Manual del operador  
Modelo: CSPE6.5-M



Para el servicio de asistencia al cliente, llame al 1-800-261-3981 o envíe un correo electrónico a:

[Service@senixtools.com](mailto:Service@senixtools.com)

CONSERVE ESTE MANUAL PARA REFERENCIA EN EL FUTURO.

## • SÍMBOLOS DE SEGURIDAD E INTERNACIONALES •

El presente manual del operador describe los símbolos de seguridad e internacionales, así como los pictogramas que pueden aparecer en este producto. Lea el manual del operador para consultar la información completa sobre seguridad, ensamblaje, operación, mantenimiento y reparación.



El usuario debe leer el manual de instrucciones para disminuir el riesgo de sufrir lesiones.



Los objetos voladores y los ruidos fuertes pueden causar serias lesiones oculares y pérdida de la audición. Use protección para la vista que cumpla con las normas actuales ANSI Z87.1 y protección auditiva cuando opere esta unidad. Use protección para la cabeza cuando opere esta unidad. Los objetos que caen pueden causar serias lesiones a la cabeza. Use una protección completa para el rostro cuando sea necesario.



Use protección para las manos.



Use calzado de seguridad antideslizante



Si no mantiene las manos alejadas de la cuchilla, se puede producir una lesión personal seria



Evite los cables eléctricos, use la sierra en condiciones climáticas secas



No exponga la sierra a la lluvia



Indica peligro, advertencia o precaución. Precauciones que implican su seguridad



Se debe evitar el contacto de la punta de la barra guía con cualquier objeto.



Siempre use las dos manos cuando opere la podadora de altura.



Superficie caliente. No toque un motor caliente. Podría quemarse. El motor se vuelve extremadamente caliente por la operación. Permanece caliente por un corto tiempo luego de haberse apagado la unidad.



Los objetos que se desprenden pueden rebotar y causar lesiones personales o daños a la propiedad.



Todos los espectadores deben estar ubicados al menos a 15 m de distancia.



¡PELIGRO!  
¡Riesgo de electrocución!



La cadena debe estar siempre revestida con aceite para que funcione correctamente. Verifique el nivel de aceite antes de cada uso.

# ÍNDICE

SEGURIDAD.....	23
CONOZCA SU UNIDAD.....	27
ESPECIFICACIONES *.....	27
ENSAMBLAJE.....	28
OPERACIÓN.....	31
MANTENIMIENTO.....	34
DETECCIÓN Y SOLUCIÓN DE PROBLEMAS.....	37
PARTES.....	38
LISTA DE PARTES.....	39
GARANTÍA.....	40

## SEGURIDAD

### Lea todas las instrucciones



#### ¡ADVERTENCIA!

El polvo creado por el lijado, el aserrado, la molienda, el perforado eléctrico y otras actividades de construcción contienen químicos, reconocidos por el Estado de California por causar cáncer, defectos de nacimiento u otros daños reproductivos. Algunos ejemplos de estos químicos son: El plomo de las pinturas en base a plomo, la sílice cristalina de los ladrillos y el cemento y otros productos de albañilería, así como el arsénico y el cromo de la madera tratada con químicos.

Su riesgo ante la exposición varía, dependiendo de la frecuencia con que realiza este tipo de trabajos. Para reducir su exposición a estos químicos: Trabaje en un área bien ventilada y con equipos de seguridad aprobados, como mascarillas antipolvo que sean especialmente diseñadas para filtrar partículas microscópicas.



#### WARNING!

This product can expose you to chemicals including lead, a chemical known to the State of California to cause cancer and birth defects or other reproductive harm. For more information go to [www.P65Warnings.ca.gov](http://www.P65Warnings.ca.gov).



#### ¡ADVERTENCIA!

Este producto puede exponerlo sustancias químicas, incluyendo el plomo, un químico cuyos efectos son reconocidos por el Estado de California por causar cáncer, defectos de nacimiento u otros daños reproductivos. Para mayor información, visite [www.P65Warnings.ca.gov](http://www.P65Warnings.ca.gov).

1. Evite ambientes peligrosos: No use los artefactos en lugares húmedos o mojados.
2. No los use en la lluvia.
3. Mantenga a los niños alejados. Todos los visitantes deben encontrarse a cierta distancia del área de trabajo.
4. Use vestimenta adecuada - No use ropa holgada ni joyas. Pueden atascarse en las partes móviles. Se recomienda el uso de guantes de hule y calzado resistente cuando trabaje en exteriores. Use un gorro de protección para recoger el pelo largo.
5. Use gafas de seguridad: siempre use una mascarilla antipolvo o para el rostro si la operación es polvorienta.
6. Use el artefacto adecuado: no use el artefacto para ningún otro trabajo que no sea el previsto.
7. Se debe proporcionar una protección para el interruptor de circuito de falla conectado a tierra (ICFT) en el circuito o tomacorriente que vaya a usarse para el artefacto de jardinería. Hay receptáculos disponibles con protección ICFT integrada, los que pueden usarse para esta medida de seguridad.
8. Advertencia: para reducir el reducir el riesgo de descarga eléctrica, use solamente con un cable de extensión previsto para uso en exteriores, como un cable de extensión de tipo SW-A, SOW-A, STW-A, STOW-A, SJW-A, SJOW-A, SJTW-A o SJTOW-A.
9. Evite un arranque accidental: no cargue el artefacto enchufado con el dedo en el interruptor. Asegúrese que el interruptor esté apagado cuando lo enchufe.
10. No abuse del cable: nunca cargue el artefacto por el cable ni lo tire para desconectarlo del receptáculo. Mantenga el cable alejado de calor, aceite y bordes filosos.
11. No fuerce el artefacto: desempeñará mejor su trabajo y habrá menos probabilidades de riesgo de lesiones a la velocidad para la que fue diseñado.
12. No trate de alcanzar más de lo debido: mantenga su posición de pie y su equilibrio en todo momento.
13. Esté alerta: mire lo que esté haciendo. Use el sentido común. No opere el artefacto cuando esté cansado.
14. Desconecte el artefacto: desconecte el artefacto del suministro de energía cuando no esté en uso, antes del mantenimiento, cuando cambie los accesorios, como las cuchillas y demás.
15. Guarde el artefacto inactivo en interiores: cuando no esté en uso, el artefacto debe guardarse en interiores, en un lugar seco y elevado o cerrado con seguro, fuera del alcance de los niños.
16. Mantenga el artefacto con cuidado: conserve el borde filoso y limpio para un mejor rendimiento y para reducir el riesgo de lesiones. Siga las instrucciones de lubricación y de cambio de accesorios. Inspeccione el cable del artefacto periódicamente y si está dañado, mándelo reparar en un centro de servicios autorizado. Inspecciones los cables de extensión periódicamente y reemplácelos si están dañados. Mantenga las asas

secas, limpias y sin aceite o grasa.

17. Verifique las partes dañadas: antes de seguir usando el artefacto, se debe verificar cuidadosamente el protector u otra parte dañada para determinar que opere correctamente y que tenga un buen rendimiento. Verifique que las partes móviles estén alineadas, bien unidas, que no hay rupturas, el montaje y cualquier otras condición que pudiera afectar su operación. Un protector u otra parte dañada la debe reparar o reemplazar adecuadamente un centro de servicios autorizado a menos que se indique lo contrario en este manual.

## REGLAS ESPECÍFICAS DE SEGURIDAD PARA LAS PODADORAS DE ALTURA



### ADVERTENCIA:

No operar cerca de cables eléctricos. La unidad no ha sido diseñada para ofrecer protección ante una descarga eléctrica en caso de contacto con los cables eléctricos aéreos. Consulte las regulaciones locales para ver las distancias seguras desde los cables eléctricos aéreos y asegúrese que la posición de operación sea segura antes de operar la podadora de altura con cadena de sierra.

1. Use protección para la cabeza y la vista, y equipos de protección personal (EPP), incluyendo ropa adecuada.
2. Mantenga a los transeúntes (especialmente a los niños) a una distancia segura durante la operación de la podadora de altura con cadena de sierra.
3. Mantenga todas las partes del cuerpo alejadas de la cadena de sierra. No retire el material cortado ni sostenga material a ser cortado cuando las cuchillas estén en movimiento. Asegúrese que el interruptor esté apagado cuando despeje el material atascado. La cadena de sierra sigue moviéndose luego de apagado el interruptor. Un momento de falta de atención mientras opere la podadora de alcance extendido puede ocasionar lesiones personales graves.
4. Cargue la podadora de alcance extendido del asa cuando la cadena de sierra se haya detenido. Cuando transporte o guarde la podadora de alcance extendido, siempre colóquela la cubierta del dispositivo de la cadena de sierra. El manejo adecuado de la podadora de alcance extendido reducirá posibles lesiones personales que pudiera causar la cadena de sierra.
5. Sujete la podadora de alcance extendido solo por las superficies de agarre aisladas, ya que la cadena de sierra puede entrar en contacto con un cableado oculto. Una cadena de sierra en contacto con un cable "cargado" puede hacer que las partes metálicas expuestas de la podadora de alcance extendido se "carguen" y podría provocar una descarga eléctrica en el operador.
6. Mantenga el cable alejado del área de corte. Durante la operación, el cable podría ocultarse entre los matorrales y ser accidentalmente cortado por la cadena de sierra.
7. No utilice la podadora de alcance extendido bajo

condiciones climáticas adversas, especialmente si hay riesgo de rayos. Esto reduce el riesgo de ser alcanzado por un rayo.

8. Para reducir el riesgo de electrocución, nunca use el artefacto cerca de cables eléctricos. El contacto o la cercanía con cables eléctricos puede causar lesiones graves o una descarga eléctrica que dé como resultado la muerte.
9. Siempre use las dos manos cuando opere la podadora de alcance extendido. Sostenga la podadora de alcance extendido con ambas manos para evitar perder el control.
10. Siempre use protección para la cabeza cuando opere la podadora de alcance extendido. Los escombros que caen pueden producir lesiones personales graves.

## CONSERVE ESTAS INSTRUCCIONES

### ADVERTENCIAS DE SEGURIDAD ADICIONALES PARA LA OPERACIÓN

- Siempre desconecte el artefacto del suministro de energía antes de ensamblarlo, ajustarlo o limpiarlo, y antes de dejar la máquina desatendida por cualquier período de tiempo.
- Verifique que la herramienta esté completa, bien ensamblada y configurada (ver detalles a continuación) antes de comenzar con el trabajo. Repita la verificación con regularidad durante su trabajo.
- Siempre use el arnés para cargar el peso de la herramienta en el hombro. Si usa el arnés cruzado sobre su cuerpo, aprenda a usar la abrazadera de liberación rápida en el arnés y manténgala frente a su cuerpo.
- Se recomienda que el usuario sin experiencia reciba una formación práctica en el uso de la podadora de altura y de los equipos de protección de un operador experimentado. La práctica inicial debe empezar con el corte de troncos en un caballete o receptáculo de aserrar.
- Esta herramienta no debe ser usada por personas (incluyendo a niños) con capacidades físicas, sensoriales o mentales limitadas, o sin experiencia o conocimientos, a menos que sean supervisadas o que reciban instrucciones relacionadas al uso del artefacto por otra persona responsable de su seguridad. Se debe supervisar a los niños para asegurar que estos no utilicen el equipo para jugar.
- Los niños y jóvenes, con excepción de aprendices mayores de 16 años y bajo supervisión, no pueden operar el producto. Lo mismo se aplica para las personas que no tienen suficientes conocimientos como para manipular el producto.
- Las instrucciones de operación deben estar siempre listas y a la mano. Las personas no aptas o cansadas no deben operar la herramienta.
- Espere hasta que la cadena se detenga totalmente antes de reposarla sobre el suelo.
- Cualquier aspecto de mantenimiento debe realizarlo un representante de servicio autorizado.



## SEGURIDAD ELÉCTRICA

### **ADVERTENCIA:**

No permita que los dedos toquen los terminales del enchufe cuando instale o retire el cable de extensión del enchufe.

1. Las herramientas de doble aislamiento vienen equipadas con un enchufe polarizado (una cuchilla es más ancha que la otra y requerirá del uso de un cable de extensión polarizado). El enchufe de la podadora de altura cabrá en un cable de extensión polarizado solamente de una sola manera. Si el enchufe no entra completamente en el cable de extensión, revírtalo. Si el enchufe todavía no cabe, obtenga un cable de extensión polarizado correcto. Un cable de extensión polarizado requerirá el uso de un tomacorriente de pared polarizado. Este enchufe cabrá en el tomacorriente de pared polarizado de una única manera. Si el enchufe no cabe completamente en el tomacorriente de la pared, revierta el enchufe. Si aún así el enchufe todavía no cabe, contacte a un electricista calificado para que instale el tomacorriente adecuado. No cambie o modifique el enchufe del equipo, el receptáculo del cable de extensión o el enchufe del cable de extensión de manera alguna.
2. El doble aislamiento elimina la necesidad de tener un cable de alimentación a tierra de tres hilos y un sistema de suministro de energía a tierra. Sólo se aplica a herramientas de Clase II (doble aislamiento). Esta podadora de altura es una herramienta con doble aislamiento.

### **CABLES DE EXTENSIÓN**

Use un cable de extensión adecuado. SÓLO use cables que figuren en la lista de Underwriters Laboratories (UL). Otros cables de extensión pueden causar una caída en la tensión de línea, dando como resultado una pérdida de energía y el sobrecalentamiento de la herramienta.

Para esta herramienta, se recomienda un tamaño AWG (American Wire Gauge) de por lo menos calibre 14 para un cable de extensión de 25 pies o menos de longitud. Use un calibre 12 para un cable de extensión de 50 pies. No se recomiendan cables de extensión de 100 pies o más. Recuerde, un tamaño de calibre de alambre más pequeño tiene una mayor capacidad que un número más grande (el alambre calibre 14 tiene más capacidad que el alambre calibre 16; el alambre calibre 12 tiene más capacidad que el alambre calibre 14). Si está en duda, use el número más pequeño.

#### **Medida mínima para cables de extensión**

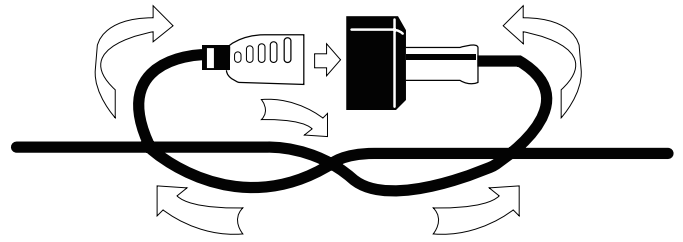
Voltios                      Longitud total del cable en pies

120 V	25	50	100	150
-------	----	----	-----	-----

#### **Amperaje**

Más que/No más que	AWG			
0-6	18	16	16	14
6-10	18	16	14	12
10-12	16	16	14	12
12-16	14	12	No recomendado	

### **Cómo asegurar un cable de extensión**



### **PRECAUCIÓN:**

Mantenga el cable de extensión despejado del área de trabajo. Coloque el cable para que no se atasque en arbustos, setos, troncos de árboles, podadoras de césped u otros obstáculos mientras esté trabajando con la podadora de altura.

### **ADVERTENCIA:**

Verifique los cables de extensión antes de cada uso. Si están dañados, reemplácelos de inmediato. Nunca use la herramienta con un cable dañado, ya que tocar el área dañada puede causar una descarga eléctrica, dando como resultado una lesión grave.

### **RIESGOS RESIDUALES**

### **ADVERTENCIA:**

Incluso cuando la unidad sea utilizada como se indica, no es posible eliminar todos los factores de riesgo residuales. Los siguientes peligros pueden surgir en conexión con la construcción y el diseño de la unidad.

- Los pulmones pueden dañarse si no se usa una mascarilla antipolvo efectiva.
- La audición puede dañarse si no se usa una protección contra los oídos efectiva.
- Los defectos de salud que sean resultado de la emisión de vibraciones si la unidad se usa por largos períodos de tiempo o si no se maneja o mantiene adecuadamente.

### **ADVERTENCIA:**

Esta unidad produce un campo electromagnético durante su operación. Este campo puede interferir, bajo ciertas circunstancias, con implantes médicos activos o pasivos. Para reducir el riesgo de lesión seria o mortal, recomendamos que las personas con implantes médicos consulten primero con su doctor y el fabricante del implante antes de operar esta unidad.

### **ADVERTENCIA:**

Inspeccione la unidad antes de cada uso. Reemplace las piezas dañadas. Asegúrese que todos los sujetadores estén en su lugar y asegurados. Reemplace las partes que estén fisuradas, rotas o dañadas de alguna manera. Asegúrese que el aditamento de corte esté correctamente instalado y bien asegurado.



## ADVERTENCIA:

No opere la unidad dentro de un ambiente cerrado, como una habitación o edificio.

### REDUCCIÓN DEL REBOTE

El rebote puede ocurrir cuando la punta de la barra guía toca un objeto o cuando la madera se cierra y pincha la cadena de sierra dentro del corte.

El contacto de la punta puede hacer que la barra guía rebote hacia arriba y de regreso hacia el operador.



## ADVERTENCIA:

El peligro de un rebote es mayor cuando se intenta cortar cerca o con la punta de la barra guía. Siempre use la podadora lo más plano posible para evitar una pérdida de control durante la operación.

Si la cadena de la sierra se pincha a lo largo de la parte superior de la barra guía, entonces ésta podría empujar la barra rápidamente hacia el operador. Cualquiera de estas reacciones podría hacer que pierda el control de la podadora, lo que podría aumentar las probabilidades de una lesión personal seria. No se fíe exclusivamente de los dispositivos de seguridad integrados en la podadora.

El rebote es el resultado del mal uso de la herramienta y/o de procedimientos de operación incorrectos. Estas condiciones pueden minimizarse con los siguientes pasos:

1. Mantenga un agarre firme, con los pulgares y los demás dedos alrededor de las asas de la podadora de altura. Ambas manos deben estar en la podadora, con su cuerpo y brazos en una posición para resistir las fuerzas del rebote.
2. No se estire demasiado y mantenga el área de trabajo despejada de obstrucciones.
3. Sólo use las barras y cadenas de repuesto que especifique Senix. Reemplace las cuchillas sin filo según sea necesario.
4. No deje que la punta de la barra guía entre en contacto con otras superficies.
5. Mantenga la tensión adecuada en la cuchilla en todo momento. Verifique la tensión a intervalos regulares.
6. Los cortes solo deben efectuarse cuando la cadena se esté moviendo a velocidad completa. No encienda o apague la podadora en medio de un corte. Tenga mucha precaución cuando reingrese en un corte anterior.
7. Corte una rama a la vez. No intente cortes internos o de penetración. Tenga cuidado con troncos en movimiento u otras fuerzas externas que podrían cerrar un corte y pinchar la cadena.
8. Haga un corte previo del lado opuesto del tronco para evitar que la cuchilla se pinche durante la operación como precaución adicional contra el rebote.

## TÉCNICAS DE PODA



## ADVERTENCIA:

Cuando retire las ramas, sostenga la podadora de altura en un ángulo que va de 0 a 60° para evitar ser golpeado por una rama que cae. La podadora nunca debe ser operada directamente por encima de la cabeza.

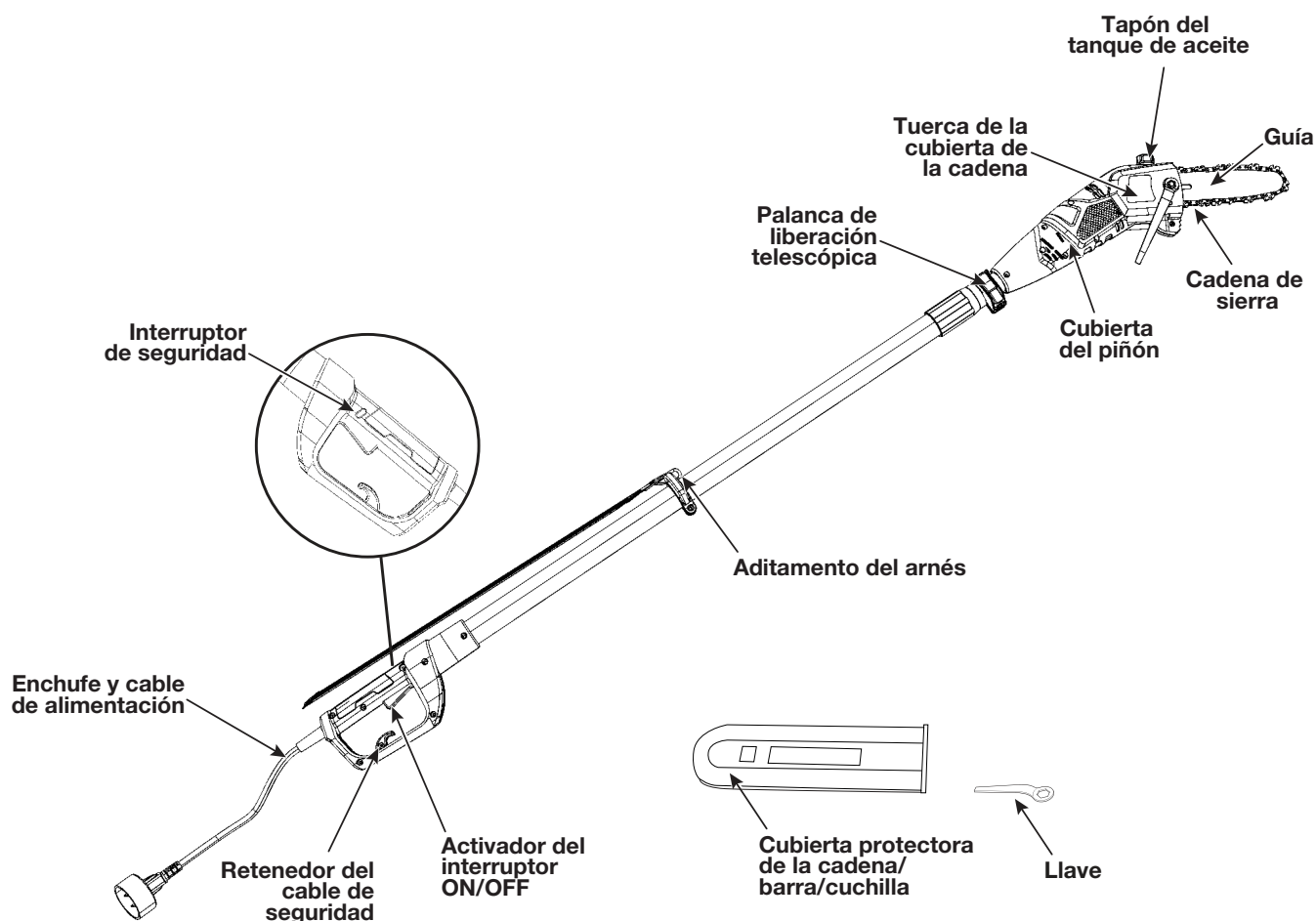
- Pude primero las ramas más bajas del árbol. Al hacerlo así, es más fácil que las ramas cortadas caigan al suelo.
- Al final del corte, el peso de la podadora aumenta repentinamente para el usuario, ya que ésta ya no está soportada por una rama. Existe el riesgo de perder el control de la sierra, así que asegúrese de estar alerta durante toda la operación de aserrado.
- Sólo tire para sacar la podadora de un corte cuando esté funcionando. Al hacerlo así, evitará que la cadena se atasque en la madera.
- No pode con la punta de la barra guía. No pode penetrando en las formaciones de la rama (donde el árbol expande sus ramas hacia afuera). Esto dificultará la habilidad que tiene el árbol de curarse.
- Para podar ramas más pequeñas, coloque el tope de la podadora en la rama. Esto evitará movimientos indeseados de la sierra al inicio del corte. Aplicando una leve presión, guíe la sierra a través de la rama, de arriba hacia abajo.
- Para podar ramas más grandes, realice primero un corte de mitigación. Aserre a través de 1/3 del diámetro de la rama, desde la parte inferior hacia la superior, usando el lado superior de la barra guía. Luego pode de arriba a abajo para los 2/3 restantes, usando el lado inferior de la barra guía.
- Pude las ramas más largas en secciones para mantener el control sobre el lugar del impacto.
- Cuando trabaje en una inclinación, siempre párese por encima o al lado de la rama que se esté podando. Sostenga la herramienta lo más cerca posible a su cuerpo. Al hacerlo, maximizará su equilibrio.

## CONOZCA SU UNIDAD

### APLICACIONES

Como podadora de altura:

- Corte de ramas pequeñas
- Poda general del árbol



## ESPECIFICACIONES\*

Tensión nominal.....	120V~60Hz
Corriente nominal.....	6.5A
Tipo de motor.....	Motor universal
Velocidad sin carga.....	5200 RPM
Capacidad del tanque de aceite.....	2.04 oz. (60 ml)
Cadena de sierra.....	8 pulgadas (203 mm), Oregon, 91PJ033X
Barra guía.....	8 pulgadas (203 mm), Oregon, 080SDEA041
Peso.....	6.8 lbs. (3.1 kg)

\* Todas las especificaciones se basan en la información más reciente del producto que se encuentra disponible al momento de la impresión. Nos reservamos el derecho a realizar modificaciones en cualquier momento y sin previo aviso.

## ENSAMBLAJE

Este producto requiere ensamblaje. Retire cuidadosamente el producto y los accesorios de la caja. Asegúrese que todos los artículos que figuran en la lista del paquete estén incluidos. Inspeccione el producto cuidadosamente para asegurarse que no se hayan producido roturas o daños durante el envío. No deseche el material de embalaje hasta que haya inspeccionado cuidadosamente y operado satisfactoriamente el producto. Si hay partes dañadas o faltantes, llame al 1-800-261-3981 para obtener ayuda.

### **! ADVERTENCIA:**

No utilice este producto si alguna parte en la lista de empaque ya está ensamblada a su producto cuando lo desempaque. Las piezas de esta lista no están ensambladas al producto por parte del fabricante y requieren la instalación por parte del cliente. El uso de un producto que pueda haber sido ensamblado incorrectamente podría causar lesiones personales graves.

### PARTES INCLUIDAS

Cantidad	Ítem
1	Manual del operador
1	Cubierta de protección de la cadena
1	Llave de la tuerca de la barra
1	Arnés

### **! ADVERTENCIA:**

Para evitar un arranque accidental que podría causar lesiones personales graves, siempre desconecte el alambre de la bujía del motor de la bujía al ensamblar las partes.

### **! ADVERTENCIA:**

Never install, remove, or adjust any attachments while power head is running. Failure to stop the motor can cause serious personal injury.

### **! ADVERTENCIA:**

No permita que su familiarización con los productos lo vuelva descuidado. Recuerde que una fracción de segundo descuidada es suficiente para causar una lesión grave.

### **! ADVERTENCIA:**

Siempre use protección para la vista con protectores laterales marcados para cumplir con la norma ANSI Z87.1, junto con protección auditiva. No hacerlo podría resultar en objetos proyectados hacia sus ojos y otras posibles lesiones graves.

## DESEMPAQUE

### **! ADVERTENCIA:**

Si cualquier parte de la podadora de altura está dañada o ausente, no conecte la fuente de energía u opere la podadora de altura hasta que la parte dañada haya sido reparada o reemplazada.

**NO** descarte la caja o el material de empaque hasta que todas las partes sean examinadas.

**NOTA:** El aceite para la cadena y barra no viene incluido. Debe llenar la podadora de altura con aceite SAE30 ANTES de su uso.

**NOTA:** Retire la cubierta de la cadena/barra/cuchilla antes de su uso.

## INSTALE LA BARRA DE LA CADENA Y LA CADENA

### **! ADVERTENCIA:**

Desconecte el alambre de la bujía antes de realizar un mantenimiento o los procedimientos de ensamblaje.

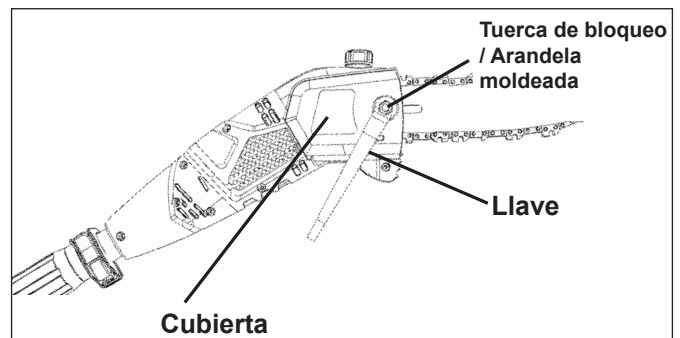
### **! ADVERTENCIA:**

Los bordes de corte en la cadena son filosos. Use guantes protectores cuando manipule la cadena.

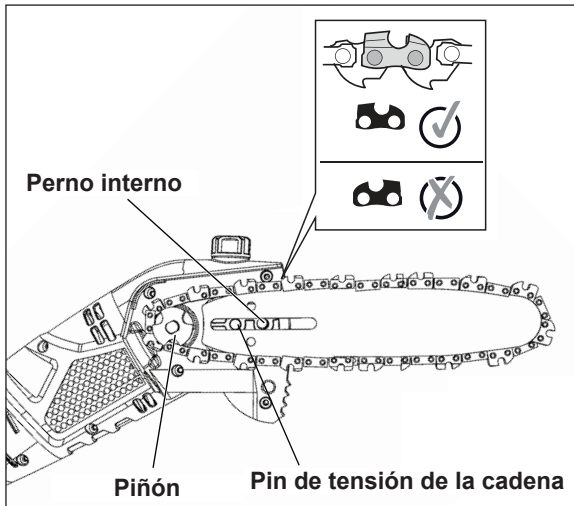
### **! ADVERTENCIA:**

SIEMPRE mantenga una tensión adecuada en la cadena. Una cadena suelta puede aumentar el riesgo de rebote. Una cadena suelta puede salirse de la ranura de la barra de la cadena. Esto puede lesionar al operador y dañar la cadena. Una cadena suelta puede hacer que la cadena, la barra de la cadena y el piñón se desgasten rápidamente. La vida útil de la cadena de la cadena de sierra depende de que haya una lubricación suficiente y una tensión correcta. Evite tensionar la cadena si está caliente, ya que la cadena podría sobretensionarse cuando se enfríe.

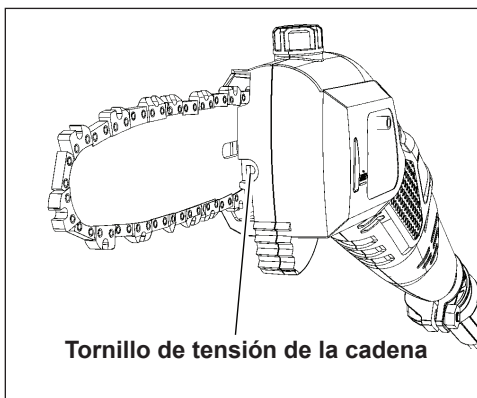
1. Coloque el cuerpo de la sierra sobre una superficie firme y nivelada.



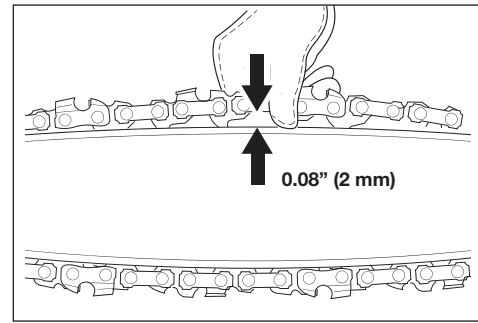
2. Usando la llave suministrada, gire la tuerca de bloqueo de ajuste de la barra hacia la izquierda para aflojarla. Retire la tuerca de bloqueo, la arandela moldeada y la cubierta.



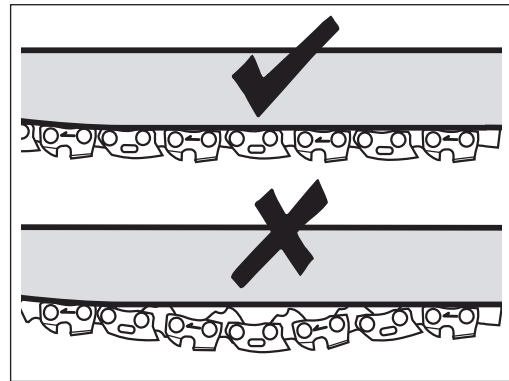
3. Usando guantes de protección, envuelva la cadena de sierra alrededor de la barra de la cadena, asegurándose que los dientes estén apuntando en dirección de la rotación. La cadena debe configurarse correctamente en la ranura que se extiende a lo largo de todo el borde exterior de la barra de la cadena.
4. Coloque la cadena de sierra alrededor del piñón mientras alinea la ranura en la barra guía con el perno interno en la base de la sierra y el pin de tensión de la cadena en el orificio del pin de la barra de la cadena. El pin de tensión de la cadena podría necesitar ajustes para alinearse correctamente con el orificio de la barra de la cadena. Use un destornillador de cuchilla plana para girar el tornillo de tensión de la cadena para ajustar la ubicación del pin hasta que quepa en la barra de la cadena.



5. Gire el tornillo de tensión de la cadena hacia la derecha para ajustar preliminarmente la barra de la cadena lo suficiente como para que permanezca en su lugar.
6. Instale la arandela moldeada y la tuerca de bloqueo. Usando la llave suministrada, gire la tuerca de bloqueo hacia la derecha para ajustarla. NO ajuste demasiado.
7. Verifique la tensión de la cadena tirando de la cadena de sierra, lejos de la barra de la cadena. Una cadena correctamente tensionada debe tener aproximadamente 0.08 de pulgada (2 mm) de distancia entre sí misma y la guía de la barra.
8. Si son necesarios los ajustes, afloje la tuerca de bloqueo de ajuste de la barra un giro completo.



9. Para ajustar la tensión de la cadena de la sierra, gire el tornillo de tensión de la cadena. Al girar el tornillo hacia la derecha, se aumenta la tensión, mientras que al girarlo hacia la izquierda, se reduce la tensión. Una cadena correctamente tensionada no debería descolgarse y sólo se debería poder tirar de ella 0.08 de pulgada (2 mm) lejos de la barra de la cadena de la podadora.
10. Una vez que la cadena esté correctamente tensionada, ajuste la tuerca de bloqueo del ajuste de la barra. NO tense excesivamente la cadena: esto provocará un desgaste excesivo y reducirá la vida útil de la barra y la cadena.



## **! PRECAUCIÓN:**

La cadena de la sierra debe estar correctamente tensionada para poder asegurar una operación segura. Debido a que la cadena de la sierra se calienta durante la operación, su longitud puede fluctuar. Revise la tensión de la cadena cada 10 minutos de operación y ajuste según sea necesario, particularmente para las nuevas cadenas de sierras.

**CONSEJO:** La cadena de la sierra se acorta cuando se enfría. Afloje la cadena de la sierra luego de terminado el trabajo para prolongar la vida de la cadena y evitar posibles daños.

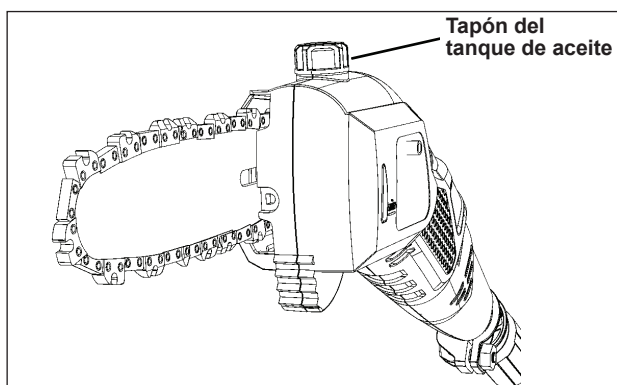
## **LUBRICACIÓN DE LA CADENA DE SIERRA**

La podadora de altura presenta una lubricación de cadena automática. Nunca opere la podadora de altura sin el aceite de la cadena de sierra. El uso de la podadora de altura sin suficiente aceite de la cadena de sierra dañará la unidad.

**IMPORTANTE:** Sólo use aceite de cadena de sierra SAE300. Otros aceites corren el riesgo de dañar la unidad e invalidar la garantía. Tome en cuenta las condiciones de temperatura. Usar la podadora a temperaturas variables requiere el uso de aceites diferentes. Para garantizar una capa suficiente de

lubricante a bajas temperaturas, use aceite líquido (de baja viscosidad).

## LLENADO DEL TANQUE DE ACEITE



1. Coloque la sierra sobre una superficie nivelada.  
Limpie el área alrededor de la tapa del tanque de aceite y luego ábrala.



### PRECAUCIÓN:

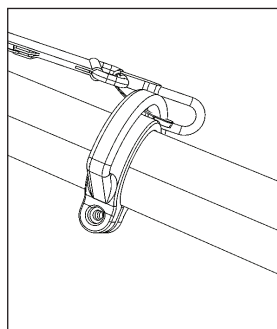
Asegúrese que no ingrese suciedad dentro del tanque de aceite para prevenir obstrucciones en la boquilla de aceite.

2. Llene el tanque de aceite con 2.04 oz. (60 ml) de aceite de cadena y de barra de sierra.
3. Cierre la tapa del tanque de aceite.

## INSTALACIÓN DEL ARNÉS

El arnés con función de liberación rápida se puede enganchar detrás de la mano posterior si es necesario.

**NOTA:** El uso del arnés es opcional.



## OPERACIÓN

### **⚠️ ADVERTENCIA:**

No utilice ningún aditamento no recomendado por el fabricante de este producto. El uso de aditamentos o accesorios no recomendados puede resultar en lesiones personales graves.

### **⚠️ ADVERTENCIA:**

La carcasa del motor puede calentarse durante la operación de la podadora de altura. No apoye o coloque su brazo, mano o cualquier parte del cuerpo contra la carcasa del motor. El contacto prolongado con la caja del motor puede resultar en quemaduras u otras lesiones.

### **⚠️ ADVERTENCIA:**

Siempre coloque la unidad al lado derecho del operador. El uso de la unidad al lado izquierdo del operador expone al usuario a las superficies calientes y puede resultar en posibles lesiones por quemaduras. Para evitar quemaduras por superficies calientes, nunca opere la unidad con la parte inferior del motor por encima del nivel de la cintura.

### **⚠️ ADVERTENCIA:**

No permita que su familiarización con los productos lo vuelva descuidado. Recuerde que una fracción de segundo descuidada es suficiente para causar una lesión grave.

### **⚠️ ADVERTENCIA:**

Siempre use protección para la vista con protectores laterales marcados para cumplir con la norma ANSI Z87.1, junto con protección auditiva. No hacerlo podría resultar en objetos proyectados hacia sus ojos y otras posibles lesiones graves.

### **⚠️ ADVERTENCIA:**

No utilice ningún aditamento no recomendado por el fabricante de este producto. El uso de aditamentos o accesorios no recomendados puede resultar en lesiones personales graves.

### **⚠️ ADVERTENCIA:**

El funcionamiento de estos equipos podría producir chispas que pueden iniciar incendios alrededor de la vegetación seca. El operador debe ponerse en contacto con las estaciones de bomberos locales para revisar las leyes o reglamentos relativos a los requerimientos para la prevención de incendios.

### **⚠️ ADVERTENCIA:**

Opere esta unidad sólo en un área bien ventilada en exteriores.

### **⚠️ PRECAUCIÓN:**

No trabaje hasta extenuarse. Tome pausas de

descanso con regularidad y cambie de posición de trabajo para asegurarse de poder concentrarse en el trabajo y de tener el control total del producto. Mantenga los pies firmes y el equilibrio durante la operación.

### **⚠️ PRECAUCIÓN:**

Inspeccione la unidad antes de cada uso. Reemplace las piezas dañadas. Verifique para ver si hay fugas de combustible. Asegúrese que todos los sujetadores estén en su lugar y asegurados.

### **PREPARACIÓN**

Antes de cada uso, revise los siguientes elementos para asegurarse que estén en condiciones de trabajo seguras.

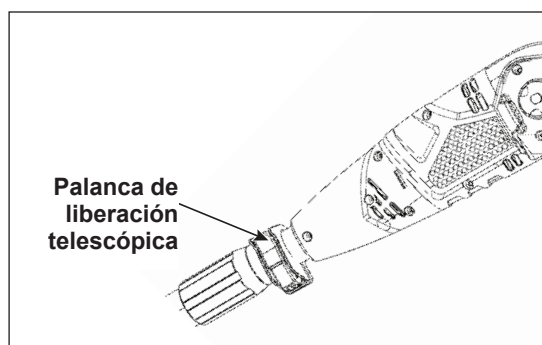
**PODADORA DE ALTURA:** Antes de comenzar el trabajo, inspeccione la podadora de altura en busca de daños a la carcasa, la cadena de sierra y la barra guía. Nunca use una máquina dañada.

**TANQUE DE ACEITE:** Revise el nivel de llenado del tanque de aceite. También verifique si hay suficiente aceite disponible mientras trabaja. Nunca opere la podadora si no hay aceite o si el nivel de aceite no está visible para evitar daños a la podadora.

**CADENA DE SIERRA:** Revise la tensión de la sierra y la condición de las cuchillas. Mientras más afilada la cadena de sierra, más fáciles y manejables serán las operaciones. Lo mismo ocurre con la tensión de la cadena. Revise la tensión cada 10 minutos de operación para maximizar la seguridad. Particularmente, las nuevas cadenas de sierras están sujetas a cambios debido al calor creado por la operación.

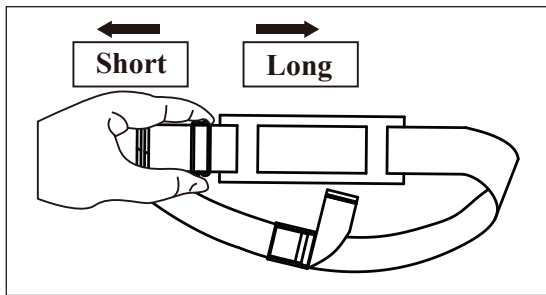
**ROPA DE PROTECCIÓN:** Asegúrese de usar ropa de protección apropiada, que le quepa bien, como pantalones de protección contra la cadena de sierra, guantes y zapatos de seguridad. Use un casco de seguridad con protección auditiva integrada y un visor para el rostro para protegerse contra las ramas que caen y que rebotan.

### **AJUSTE DEL ASA TELESCÓPICA**



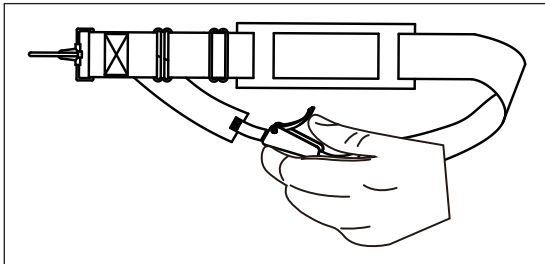
1. Desbloquee la palanca de liberación telescópica para que la varilla pueda extenderse libremente hacia adentro y afuera.
2. Extiéndala a la longitud deseada y bloquee la palanca de liberación telescópica para mantenerla en su lugar.

## AJUSTE DEL ARNÉS



Ajuste el arnés a una longitud que sea adecuada para su operación.

Siempre use el arnés para cargar el peso del producto en su hombro (del mismo lado de la herramienta o cruzado sobre su cuerpo). Asegúrese que la liberación veloz esté en su pecho (NO en su espalda).

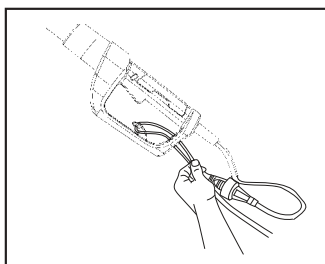
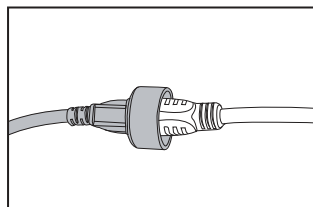
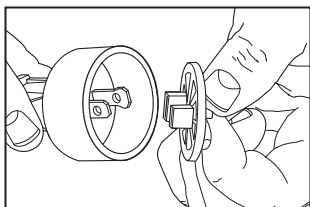


Abra la abrazadera de liberación veloz si es necesario para abrir el arnés rápidamente.

## FIJACIÓN DEL CABLE DE EXTENSIÓN

### **⚠️ ADVERTENCIA:**

Sólo debe usar cables de extensión para uso en exteriores, cables de PVC o de hule de uso ordinario con un área transversal no menor de 1.5 mm. Antes y durante el uso, verifique la alimentación y los cables de extensión en busca de daños. No use el artefacto si el cable está dañado o desgastado. Mantenga el cable de extensión lejos de los elementos de corte. Si el cable se daña durante el uso, desconéctelo de la alimentación inmediatamente. No toque el cable antes de desconectarlo de la alimentación.



Retire el tapón de seguridad del enchufe. Inserte el tomacorriente del cable de extensión en el enchufe de la podadora de altura. Se fija un retenedor del cable de extensión al asa para reducir la tensión en el cable.

Para usar el retenedor del cable, duplique el cable de extensión como se muestra, cerca de un pie desde el extremo y insértelo en el extremo del retenedor. Coloque el bucle formado duplicando el cable sobre el gancho. Meta suavemente el cable para asegurarse que esté firmemente metido en el retenedor.

Mantenga el cable de extensión lejos del operador, la unidad y cualquier obstáculo en todo momento. No exponga el cable al calor, aceite, agua o bordes filosos.

## CÓMO SOSTENER LA UNIDAD

- Párese en la posición de operación y de forma recta. No se doble sobre ella.
- Mantenga los pies aparte y firmemente apoyados.
- Sostenga el agarre del eje con la mano derecha. Mantenga el brazo derecho ligeramente flexionado.
- Sostenga el asa con la mano izquierda. Mantenga el brazo izquierdo recto.
- Sostenga la unidad a nivel de la cintura.
- Coloque el cabezal de corte a unas cuantas pulgadas por encima del suelo.
- No se estire demasiado; mantenga todas las partes de su cuerpo lejos del aditamento de corte giratorio y las superficies calientes.

## EVITE EL REBOTE DURANTE EL USO

El rebote ocurre donde la cadena (en la punta de la barra guía) entra en contacto con un tronco o madera, o cuando la cadena de sierra se atasque, con frecuencia cuando se pade de forma lateral, inclinada o durante los cortes longitudinales.

### **⚠️ ADVERTENCIA:**

Cuando ocurra el rebote, la podadora de altura puede reaccionar impredeciblemente y puede causar lesiones graves al operador y a los transeúntes.

#### Para evitar el rebote:

- Pude con la barra guía en un ángulo plano
- No trabaje con una cadena suelta, sobreestirada o desgastada
- Asegúrese que la cadena esté correctamente afilada
- No trabaje con la punta de la barra guía
- Sostenga la podadora de altura firmemente con ambas manos
- Use una cadena de bajo rebote
- Asegúrese que la cadena tenga la tensión correcta.

## MANIPULACIÓN DE LA PODADORA DE ALTURA

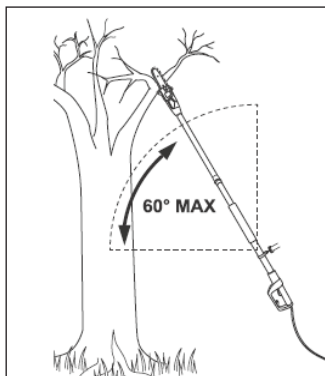
- Sostenga la podadora de altura con ambas manos usando el mango suave.
- Sujete firmemente ambas asas en todo momento durante la operación.

### **⚠️ ADVERTENCIA:**

No opere la podadora de altura con una sola mano.

- Sostenga la podadora de altura en un ángulo máximo de 60° desde el nivel horizontal.





## **⚠️ ADVERTENCIA:**

No se pare directamente bajo la rama que esté podando. Pueden caer distintos objetos de lo esperado. Colóquese fuera del camino de las ramas que caen. Mantenga a los transeúntes lejos del extremo de corte de la herramienta eléctrica de jardinería y a una distancia segura del área de trabajo.

- Mantenga una distancia mínima de 30 pies (9 m) de los transeúntes.

## **⚠️ ADVERTENCIA:**

No se pare en una escalera de pie u otro soporte usando la podadora de altura.

- Asegúrese que el cable de alimentación esté ubicado en la parte posterior, lejos de la cadena y la madera, y manténgalo libre de ramas durante el corte.
- Sostenga la podadora de altura al lado de su cuerpo.

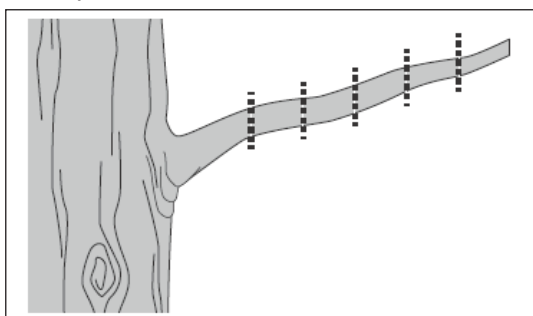
## **⚠️ ADVERTENCIA:**

No opera la podadora de altura con los brazos completamente extendidos ni intente podar áreas que sean difíciles de alcanzar.

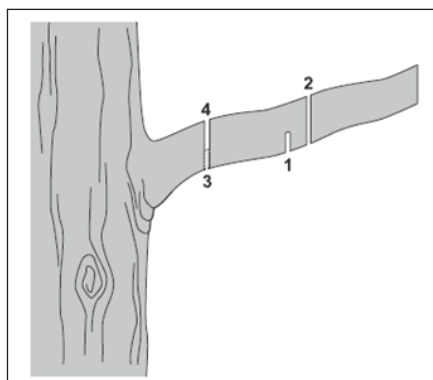
- Mantenga una presión firme y constante en la podadora de altura mientras trabaje. No intente forzar la podadora de altura a través de la madera, deje que la cadena haga el trabajo. Use los dientes de agarre para aplicar una presión de apalancamiento mínima.
- Sea precavido cuando llegue al extremo del corte. El peso de la podadora de altura puede cambiar inesperadamente a medida que corta a través de la madera. Siempre retire la podadora de altura de un corte de madera mientras esté encendido.

### **CORTE DE RAMAS DELGADAS**

- Las ramas delgadas pueden cortarse con un único corte.
- Para evitar que la rama se astille y deforme, córtela en varios pedazos.



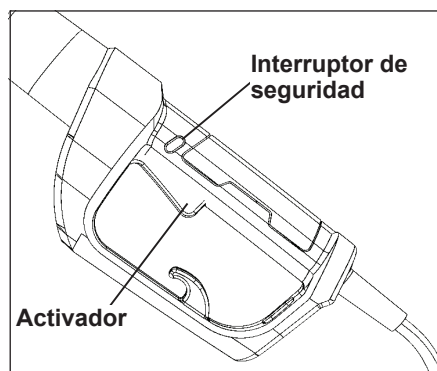
### **CUTTING THICK BRANCHES**



Cuando corte ramas más grandes, es necesario hacer 4 cortes:

- Primero corte en la rama desde la parte inferior, fuera del lugar donde pretende cortar la rama.
- El corte debe penetrar de 1/3 a 1/2 a través de la rama (1).
- Corte en la rama desde la parte superior, asegurándose que esté fuera de donde debe podarse la rama (2).
- Para evitar que la rama y el tocón se astillen, reduzca el tocón que está debajo de la rama (3).
- Corte el tocón con un corte limpio de arriba a abajo. Si lo desea, selle el corte con un compuesto adecuado (4).
- Cuando termine de cortar, apague la podadora de altura y desconecte su suministro de energía después del uso.
- Limpie y luego guarde el artefacto en interiores fuera del alcance los niños.

### **PUESTA EN MARCHA Y DETENCIÓN**



Para encender, sostenga la podadora de altura firmemente con ambas manos. Presione y sostenga el interruptor de seguridad ubicado al lado izquierdo del asa posterior encima del activador de la corriente principal.

Presione el activador para encenderlo. Ahora puede liberar el interruptor de seguridad. Para apagarlo, libere el interruptor del activador ON/OFF.

### **SI SE REQUIERE ASISTENCIA PARA ESTE PRODUCTO:**

No devuelva este producto a la tienda minorista donde lo compró. Llame a nuestro Departamento de Servicio al Cliente para cualquier problema que pueda tener. Para obtener ayuda llame al: 1-800-261-3981

## MANTENIMIENTO

Cuando realice el mantenimiento, use sólo piezas de repuesto idénticas. El uso de otras piezas podría causar un riesgo o daños al producto.

### **⚠️ ADVERTENCIA:**

Para evitar lesiones personales graves, siempre apague el motor y deje que se enfríe antes de limpiar o mantener la unidad. Nunca lleve a cabo la limpieza o mantenimiento mientras la unidad esté en funcionamiento. Desconecte el alambre de la bujía para evitar que la unidad arranque accidentalmente.

### **⚠️ ADVERTENCIA:**

Use ropa protectora y observe todas las instrucciones de seguridad para evitar lesiones personales graves.

### **LIMPIEZA**

Use un cepillo suave para limpiar la parte externa de la unidad. No use detergentes fuertes. Los limpiadores domésticos que contienen aceites aromáticos tales como el pino y limón, los y disolventes tales como el kerosene, pueden dañar el plástico. Seque toda humedad con un paño suave.

Una limpieza correcta y con regularidad es importante no sólo para el uso seguro de este producto, sino también para extienda su vida útil.

### **REEMPLAZO DE LA CADENA DE SIERRA Y DE LA BARRA DE LA CADENA**

### **⚠️ ADVERTENCIA:**

Use solamente la combinación de barra y cadena señalada. NO use otra combinación de barra y cadena.

### **⚠️ ADVERTENCIA:**

Cuando manipule cadenas de sierra, siempre use guantes de protección.

#### **Barra guía:**

8 pulgadas (203 mm), 080SDEA041, Oregon

#### **Cadena de sierra:**

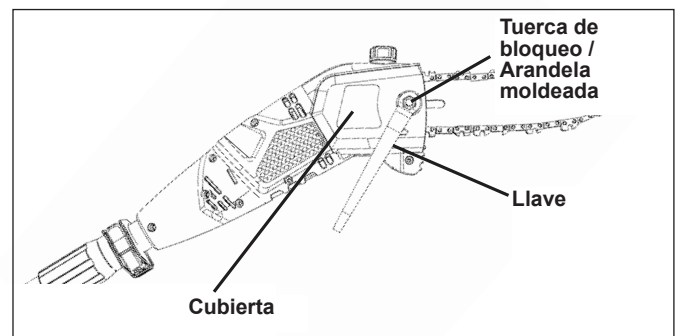
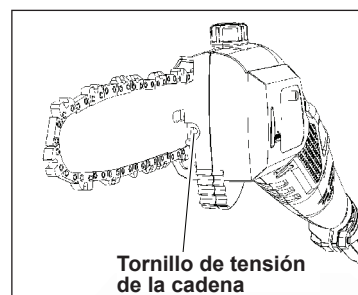
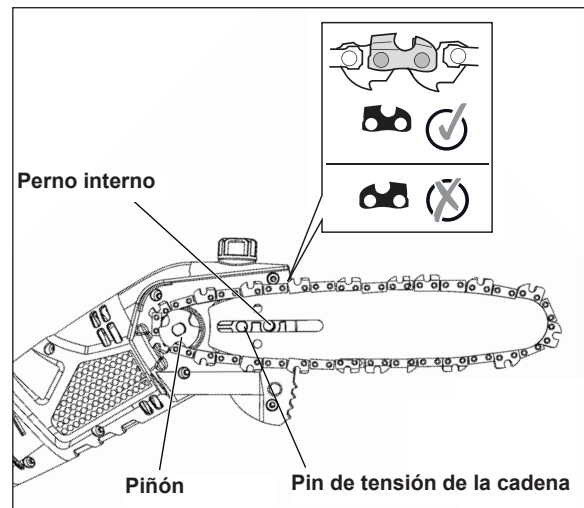
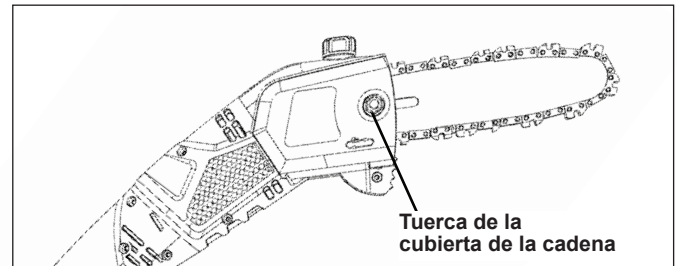
8 pulgadas (203 mm), 91PJ033X, Oregon

Reemplace la cadena cuando los cortadores estén demasiado desgastados para afilarse o cuando la cadena se rompa. Sólo use la cadena de reemplazo mencionada en este manual. Siempre incluya un nuevo piñón accionador cuando reemplace la cadena. Esto mantendrá al correcto accionamiento de la cadena.

1. Coloque el cuerpo de la sierra sobre una superficie firme y nivelada.
2. Usando la llave suministrada, gire la tuerca de la cubierta del piñón de la cadena hacia la izquierda para aflojarla. Retire la tuerca y la cubierta.
3. Usando guantes de protección, envuelva la cadena de sierra alrededor de la barra de la cadena, asegurándose que los dientes estén apuntando en dirección de la rotación. La cadena debe configurarse correctamente en la ranura que se extiende a lo largo de todo el borde exterior de la

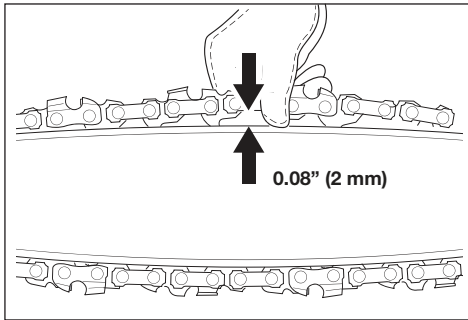
barra de la cadena.

4. Coloque la cadena de sierra alrededor del piñón mientras alinea la ranura en la barra guía con el perno interno en la base de la sierra y el pin de tensión de la cadena en el orificio del pin de la barra de la cadena. El pin de tensión de la cadena podría necesitar ajustes para alinearse correctamente con el orificio de la barra de la cadena. Use un destornillador de cuchilla plana para girar el tornillo de tensión de la cadena para ajustar la ubicación del pin hasta que quepa en la barra de la cadena.

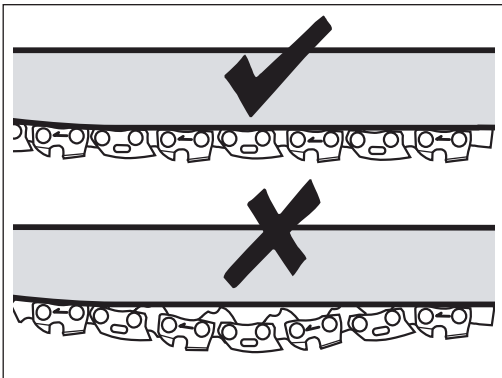


- Gire el tornillo de tensión de la cadena hacia la derecha para ajustar preliminarmente la barra de la cadena lo suficiente como para que permanezca en su lugar. Mientras sostiene la barra en su lugar, coloque la cubierta de regreso a la podadora. Asegúrese que la lengüeta se alinee correctamente con la ranura en el cuerpo de la sierra.
- Instale la rosca y el perno de bloqueo. Usando la llave suministrada, gire la tuerca de bloqueo hacia la derecha para ajustarla. NO ajuste demasiado. Ajuste la tensión de la cadena.

## TENSIÓN DE LA CADENA



- Verifique la tensión de la cadena tirando de la cadena de sierra, lejos de la barra de la cadena. Una cadena correctamente tensionada debe tener aproximadamente 0.08 de pulgada (2 mm) de distancia entre sí misma y la guía de la barra.
- Si son necesarios los ajustes, afloje la tuerca de bloqueo de ajuste de la barra un giro completo.
- Para ajustar la tensión de la cadena de la sierra, gire el tornillo de tensión de la cadena. Al girar el tornillo hacia la derecha, se aumenta la tensión, mientras que al girarlo hacia la izquierda, se reduce la tensión. Una cadena correctamente tensionada no debería descolgarse y sólo se debería poder tirar de ella 0.08 de pulgada (2 mm) lejos de la barra de la cadena de la podadora.
- Una vez que la cadena esté correctamente tensionada, ajuste la tuerca de bloqueo del ajuste de la barra. NO tense excesivamente la cadena: esto provocará un desgaste excesivo y reducirá la vida útil de la barra y la cadena.



## ⚠ PRECAUCIÓN:

La cadena de la sierra debe estar correctamente tensionada para poder asegurar una operación segura.

## REEMPLAZO DEL CABLE DE ALIMENTACIÓN

Si el cable de alimentación de esta herramienta eléctrica se daña, debe reemplazarse por un cable especialmente preparado. Inspeccione el cable de alimentación y el enchufe con frecuencia. Si se daña, que lo reemplace un distribuidor de servicios calificado.

## ALMACENAMIENTO

### ⚠ PRECAUCIÓN:

Instale la cubierta de la barra guía cuando transporte la máquina para evitar lesiones personales.

Examine la unidad exhaustivamente para ver si hay partes desgastadas, sueltas o dañadas. Si necesita reparar o reemplazar una parte, contacte el servicio al cliente de Senix al:

1-800-261-3981.

- Limpie la unidad antes de guardarla.
  - Guarde la unidad con la cubierta de protección de la cadena instalada.
  - Guarde la herramienta lejos del alcance de los niños y de otras personas no autorizadas en un ambiente bien ventilado, seco y sin escarcha.
  - Proteja la máquina contra el polvo y la humedad.
  - Cúbrela para darle una mayor protección.
- unauthorized persons in a well-ventilated, dry and frost-free environment.

## TRANSPORTE

### ⚠ PRECAUCIÓN:

Instale la cubierta de la barra guía cuando transporte la máquina para evitar lesiones personales.

Transporte la unidad en posición horizontal. Si no es posible, transporte la unidad verticalmente con el motor en la parte superior. Asegure la podadora de altura para evitar daños durante el transporte.

## AFILADO DE LA CADENA DE SIERRA

### **⚠️ ADVERTENCIA:**

Desenchufe la unidad de la fuente de energía antes de realizar el mantenimiento. Podrían ocurrir lesiones graves o la muerte si se produce una descarga eléctrica o el contacto corporal con la cadena en movimiento. Los bordes de corte en la cadena son filosos. Use guantes protectores cuando manipule la cadena.

Mantenga la cadena afilada. Su podadora cortará de manera más rápida y más segura. Una cadena sin filo causará un desgaste indebido del piñón, la barra guía y el motor. Si debe forzar la cadena en la madera y el corte crea sólo aserrín con unas pocas astillas grandes, entonces la cadena está sin filo.

Adquiera una cadena nueva, que un profesional la afile en un centro de servicios calificado o afile la cadena usted mismo usando un kit de afilado adecuado. La diferencia de altura entre la punta de corte y el reborde es la configuración del calibre de profundidad.

Cuando afile la punta de corte, la configuración del calibre de profundidad entre la punta y el reborde de la placa lateral disminuirá. Para tener un rendimiento de corte óptimo, el reborde tiene que afilarse y reducirse para lograr la configuración del calibre de profundidad recomendada.

#### Para afilar la cadena:

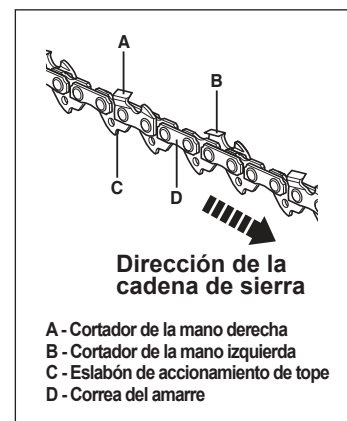
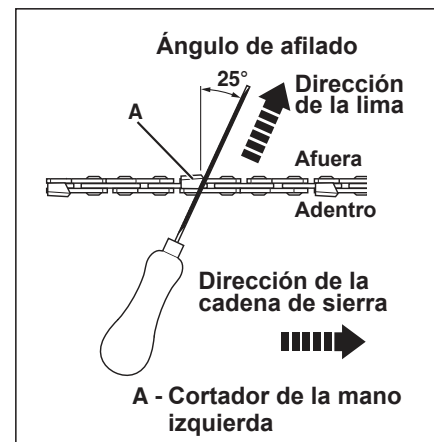
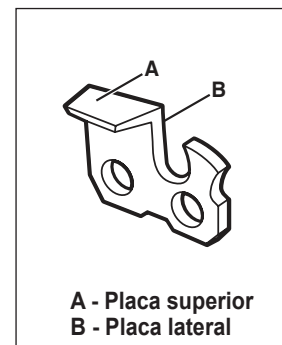
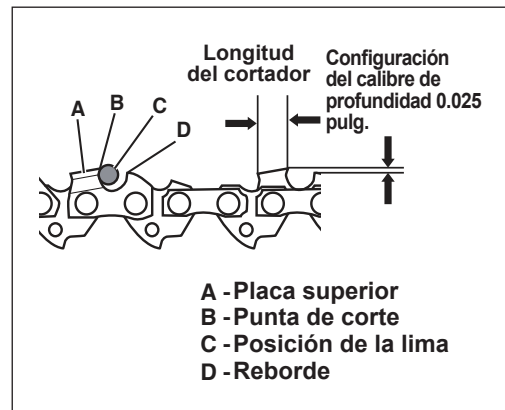
1. Usando guantes de protección, asegúrese que la cadena esté correctamente tensionada en la barra guía.
2. Use una lima redonda con un diámetro 1.1 veces la profundidad del diente de corte. Asegúrese que el 20% del diámetro de la lima esté por encima de la placa superior del cortador.

**NOTA:** Una guía de lima se encuentra disponible en la mayoría de los minoristas de podadoras de altura y es la manera más fácil de sostener la lima en la posición correcta.

3. Lime en un ángulo perpendicular a la barra y en un ángulo de 25° en la dirección de recorrido.
4. Lime cada diente solamente desde dentro hacia fuera. Lime un lado de la cadena primero y luego voltee la sierra y repita el proceso.

- Afile cada diente de igual manera usando el mismo número de pases.
- Que todas las longitudes de corte sean iguales. Cada vez que el tipo de corte se alinee, la longitud de corte se reduce. Cuando la longitud de corte se reduce a 0.16 pulgadas (4 mm), la cadena se desgasta y debe reemplazarse.
- La configuración del calibre de profundidad también se reduce con cada afilado. Cada 5 afilados usa una herramienta de medición del calibre de profundidad para verificar la altura entre la punta de corte y el reborde. Cuando sea necesario, use una lima plana para reducir el reborde y alcanzar la configuración del calibre de profundidad de 0.025 pulgadas. Las herramientas de medición del calibre de profundidad se encuentran disponibles en la mayoría de los minoristas de podadoras de altura.
- Si la podadora no está funcionando correctamente,

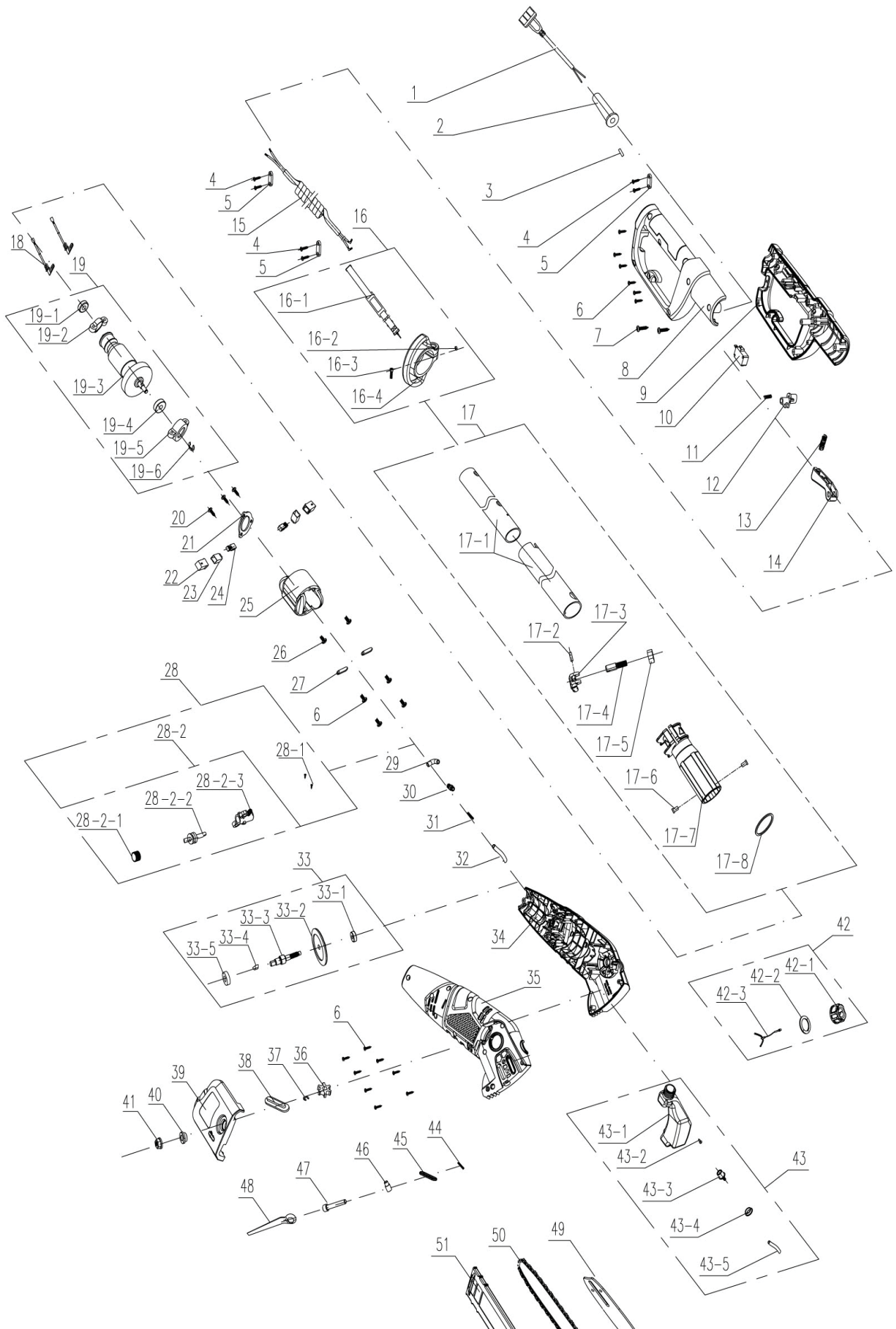
llévela donde un centro de servicios de podadoras de altura calificado para que la inspeccionen. Use solamente piezas idénticas a las que se mencionan en este manual.



## DETECCIÓN Y SOLUCIÓN DE PROBLEMAS

PROBLEMA	CAUSA POSIBLE	ACCIONES RECOMENDADAS
El motor se detiene durante el corte	La cadena se pincha en el corte	Corte la rama inferior para aliviar la presión de la rama
	Sobrecalentamiento del sistema de control	Deje que la unidad se enfríe.
	No se ha presionado el interruptor de seguridad	Presione el interruptor de seguridad antes de apretar el interruptor de gatillo.
	Suciedad en la cubierta lateral	Retire la cubierta del piñón de la cadena y limpie los escombros.
	Sobrecalentamiento del motor	Deje que el motor se enfríe.
El motor funciona, pero la cadena de sierra no gira	La cadena no se fija en el piñón de accionamiento	Vuelva a instalar la cadena, asegurándose que los eslabones del accionamiento en la cadena estén totalmente asentados en el piñón de accionamiento.
	El piñón de punta de la barra guía no está girando	Reemplace la barra guía.
La podadora no corta correctamente	Insuficiente tensión de la cadena	Tensione la cadena.
	Cadena no afilada	Afile o reemplace la cadena.
	Cadena instalada al revés	Instale la cadena con los dientes mirando hacia la dirección correcta.
	Cadena desgastada	Reemplace la cadena.
	Cadena seca o excesivamente estirada	Verifique el nivel de aceite. Rellene el depósito de aceite, de ser necesario.
	La cadena no está en la ranura de la barra	Reasiente la cadena en la ranura.

# PARTES



## LISTA DE PARTES

Nº	N.º de pieza	Descripción
1	203002000015	Cable/Enchufe
2	207099900006	Envoltura del cable
3	301200005	Conjunto de tubos termorretráctiles
4	207310100041	Tornillo autorroscante
5	207089900001	Abrazadera del cable
6	8SJAB40-14D	Tornillo autorroscante
7	207310100073	Tornillo autorroscante
8	202024002424	Asa derecha
9	202024002423	Asa izquierda
10	207180800008	Interruptor de control
11	207019900024	Resorte de botón antibloqueo
12	202003001777	Botón de bloqueo
13	207019900315	Resorte del interruptor
14	202003001776	Botón interruptor
15	207039900469	Conexión del resorte
16	199007000045	Componente de anillo de banda posterior
16-1	208008000004	Banda posterior
16-2	207320100008	Tuerca
16-3	207310100704	Tornillo
16-4	202040000031	Anillo de banda posterior
17	199060000507	Ensamblaje del tubo
17-1	199060000347	Ensamblaje del tubo
17-2	207199900054	Pin cilíndrico
17-3	202026000219	Ajuste el botón
17-4	207229900169	Perno de ajuste de sujeción veloz
17-5	207320100050	Contratuerca
17-6	207199900110	Pin fijo
17-7	202031000164	Abrazadera de conexión
17-8	207269900014	Arandela abierta grande
18	207039900040	Alambre de conexión de la escobilla de carbono
19	199133000044	Componente del rotor
19-1	207390100018	Rodaje 607
19-2	202032000013	Envoltura del rodaje
19-3	106001000088	Ensamblaje del rotor
19-4	207390100069	Rodaje 6000
19-5	202032000015	Envoltura del rodaje
19-6	207340100049	Arandela abierta
20	207310100148	Tornillos de cabeza roscante avellanados
21	201057000095	Placa de presión del rodaje
22	207129900022	Buje
23	207119900044	Escobilla de carbono
24	202016002615	Envoltorio de la escobilla
25	107001000061	Estátor
26	207310100022	Tornillo autorroscante

Nº	N.º de pieza	Descripción
27	299999000054	Placa de presión
28	199010000040	Ensamblaje de la bomba de aceite
28-1	207310100324	Tornillo autorroscante de brida
28-2	199010000147	Ensamblaje de la bomba de aceite
28-2-1	202001000002	Engranaje helicoidal
28-2-2	201004000103	Diente del engranaje helicoidal
28-2-3	202999001599	Cuerpo de la bomba
29	202019000177	Junta de hule
30	202019000171	Conector de la conexión de la tubería
31	207019900001	Resorte de la configuración del conjunto tubos
32	302000002	Tubo transparente de aceite
33	199101000045	Ensamblaje del eje de salida
33-1	207390100011	Rodaje 606
33-2	201004000091	Engranaje grande
33-3	201999000724	Chaveta de ajuste Woodruff
33-4	201025000118	Eje de salida
33-4	207390100180	Rodaje 6900
34	202016003791	Carcasa izquierda
35	202016003790	Carcasa derecha
36	201035000003	Piñón
37	207340100049	Arandela abierta
38	207279900043	Anillo de sello del tapón del extremo
39	202011000543	Cubierta final
40	207289900054	Envoltura del eje
41	207320100061	Tuerca de la brida hexagonal
42	199123000363	Ensamblaje del tapón de la caja de aceite
42-1	202165000571	Tapón de la caja de aceite
42-2	207279900031	Anillos de sello de la caja de aceite
42-3	202014000001	Gancho para evitar pérdidas
43	199124000015	Ensamblaje de la caja de aceite
43-1	202164000013	Caja de aceite
43-2	202074000003	Válvula
43-3	199071000126	Ensamblaje del conector de aceite de salida
43-4	207279900050	Anillo de sello de salida del aceite
43-5	302000000	Tubo transparente de aceite
44	207019900002	Resorte de la configuración del conjunto tubos
45	207279900050	Anillo de sello de salida del aceite
46	207169900011	Ajuste de la tuerca
47	207229900133	Ajuste de los tornillos
48	207179900012	Llave inglesa
49	202009000201	Conjunto de cuchillos
50	205001000003	Cadena
51	205001000090	Tablero de la cadena

# GARANTÍA

## GARANTÍA LIMITADA POR TRES AÑOS

Garantía limitada por 2 años en todas las series de equipos Senix CS.

POR TRES AÑOS desde la fecha original de la compra minorista, este producto Senix tiene garantía contra defectos de materiales o de mano de obra en las herramientas eléctricas. El producto defectuoso recibirá una reparación gratuita.\*

La presente garantía no cubre el desgaste normal de las partes y los componentes, como la cadena de corte, la línea o las cuchillas ni tampoco cubre esta garantía el costo de transporte del producto para garantía o servicio.

La garantía está sujeta a las siguientes condiciones:

- La garantía se aplica al comprador original en el minorista y no es transferible\*
- Registre la garantía en [www.senixtools.com](http://www.senixtools.com)
- La herramienta no puede haber sido mal utilizada, abusada, maltratada, modificada, alterada o reparada por otras personas que no sea un centro de servicios autorizado.
- Se han utilizado solamente accesorios Senix genuinos en este producto.
- La herramienta ha estado sujeta a un desgaste normal.
- La herramienta no ha sido utilizada por motivos comerciales o profesionales
- La herramienta no ha sido utilizada por motivos de alquiler
- La presente garantía sólo cubre los defectos que surjan bajo el uso normal y no cubre ningún mal funcionamiento, fallas o defectos que sean resultado de mal uso, abuso (incluyendo sobrecarga del producto, exposición a lluvia o agua), accidentes, maltrato o falta de instalaciones adecuadas y mantenimiento o almacenamiento inadecuados.

Para ubicar su proveedor de servicios Senix más cercano, llame sin costo al: 800-261-3981 o envíenos un correo electrónico a [service@senixtools.com](mailto:service@senixtools.com).

### Limitaciones adicionales

Cualquier garantía implícita otorgada bajo la ley estatal, incluyendo garantías de comerciabilidad o idoneidad por un propósito en particular, se limita a tres años desde la fecha de compra en los cargadores y herramientas eléctricas, y siete años en las baterías. El fabricante no es responsable de daños directos, indirectos, incidentales o derivados. Algunos estados y provincias no permiten limitaciones sobre el tiempo que dura una garantía implícita y/o no permiten la exclusión o limitación de daños incidentales, por lo que las limitaciones y exclusiones anteriores podrían no aplicarse a usted. Esta garantía le concede derechos legales específicos; usted también puede ser acreedor a otros derechos que varían de un estado a otro o de una provincia a otra.

YAT USA declina cualquier responsabilidad con respecto a la responsabilidad civil que surja por el uso abusivo o no conforme con el uso y mantenimiento adecuados de la máquina, tal como se describe en el manual del operador.

YAT USA no es responsable de daños directos, indirectos, incidentales o derivados.

Luego de la compra, el fabricante recomienda un mantenimiento adecuado de la máquina y leer el manual del operador antes de usarla.

\* Podría requerirse el recibo de compra original como prueba de compra

Para el servicio de atención al cliente, llámenos a la línea telefónica gratuita: 1-800-261-3981 o: [Senixtools.com](http://Senixtools.com).

YAT USA, Inc. 9048 E Bahia Dr, suite 105, Scottsdale, AZ 85260

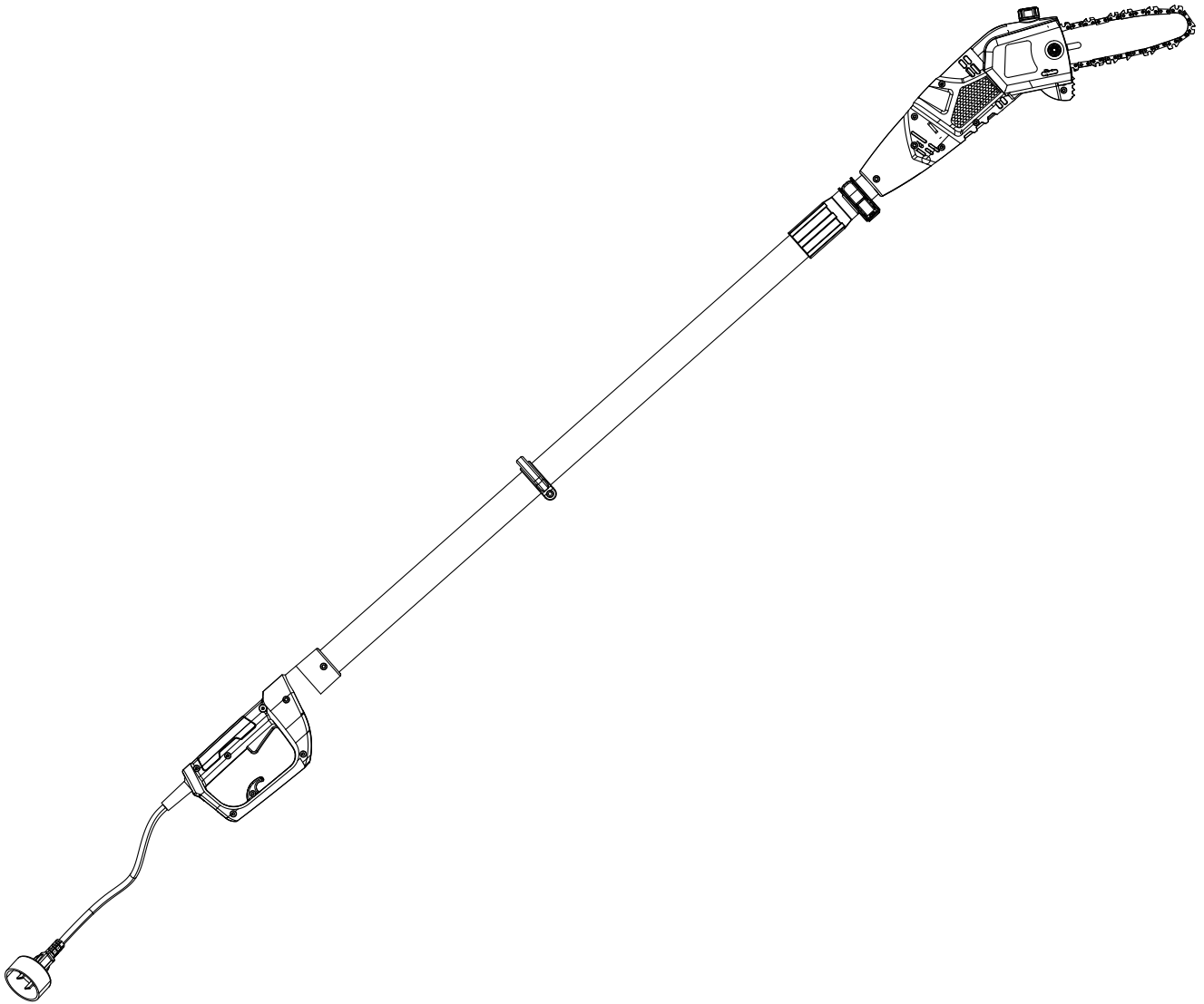




---

# Élagueuse électrique sur perche

Manuel d'instructions  
Modèle : CSPE6.5-M



Pour joindre l'assistance aux consommateurs, veuillez appeler au 1-800-261-3981 ou envoyez un e-mail à :

[Service@senixtools.com](mailto:Service@senixtools.com)

CONSERVEZ CE MANUEL POUR TOUTE CONSULTATION ULTÉRIEURE.

## • SYMBOLES INTERNATIONAUX DE SÉCURITÉ •

Ce manuel d'instructions décrit les symboles et pictogrammes de sécurité et internationaux susceptibles d'apparaître sur ce produit. Lisez le manuel d'instructions pour obtenir des informations complètes sur la sécurité, le montage, l'utilisation, l'entretien et les réparations.



Pour réduire le risque de blessures, l'utilisateur doit lire la notice d'utilisation.



Les objets éjectés et le bruit peuvent causer de graves blessures aux yeux et une perte de l'audition. Portez des lunettes de protection conformes aux normes ANSI Z87.1 actuelles et des protections pour les oreilles lorsque vous utilisez cet appareil. Les objets qui tombent peuvent provoquer de graves blessures sur la tête. Utilisez un écran facial complet en cas de besoin.



Portez des gants de protection.



Portez des chaussures de protection antidérapantes.



Si vous ne tenez pas vos mains éloignées de la lame, vous risquez de graves blessures.



Prenez garde à ne pas couper les câbles électriques; utilisez l'appareil par temps sec



N'exposez pas l'appareil à la pluie.



Indique un danger, un avertissement ou une mise en garde. Précautions qui impliquent votre sécurité.



Évitez tout contact de l'extrémité du guide-chaîne avec un objet.



Utilisez toujours vos deux mains pour maintenir la scie.



Surface chaude Ne touchez pas le moteur lorsqu'il est chaud. Vous pourriez vous brûler. Le moteur devient extrêmement chaud lors du fonctionnement. Il reste chaud pendant une courte période après l'arrêt de l'appareil.



Des objets projetés peuvent ricocher et entraîner des blessures corporelles et / ou des dégâts matériels !



Assurez-vous que toutes les personnes restent à une distance d'au moins 50 pieds (15 m).



**DANGER !**  
Risque d'électrocution !



La chaîne doit être continuellement lubrifiée d'huile pour fonctionner correctement. Vérifiez le niveau d'huile avant chaque utilisation.

## TABLE DES MATIÈRES

SÉCURITÉ.....	43
DESCRIPTION DE VOTRE APPAREIL.....	47
SPÉCIFICATIONS*.....	47
ASSEMBLAGE.....	48
FONCTIONNEMENT.....	51
ENTRETIEN.....	55
GUIDE DE DÉPANNAGE.....	58
PIÈCES.....	59
LISTE DES PIÈCES.....	60
GARANTIE.....	61

## SÉCURITÉ

### Lisez toutes les instructions.



#### AVERTISSEMENT!

Certaines poussières engendrées par ponçage, sciage, meulage, perçage et d'autres travaux du domaine de la construction contiennent des substances chimiques considérées dans l'état de la Californie comme cancérigènes, tératogènes ou nocives pour les fonctions reproductrices. Liste non exhaustive de ces substances : Le plomb provenant des peintures à base de plomb, la silice cristalline provenant des briques et du ciment et d'autres produits de maçonnerie, et l'arsenic et le chrome provenant du bois traité chimiquement.

Les risques engendrés par l'exposition à ces substances dépendent de la fréquence de ce type de travaux. Pour réduire votre exposition à ces substances chimiques : Travaillez dans des endroits bien aérés et en utilisant des équipements de sécurité homologués, tels que des masques anti-poussières spécifiquement conçus pour filtrer les particules microscopiques.



#### AVERTISSEMENT!

Ce produit peut vous exposer à des produits chimiques, y compris le plomb, un produit chimique signalé dans l'état de Californie pour causer le cancer et des malformations congénitales ou d'autres problèmes de reproduction. Pour plus d'informations, veuillez consulter [www.P65Warnings.ca.gov](http://www.P65Warnings.ca.gov).



#### AVERTISSEMENT:

Quand vous utilisez des outils de jardin électriques, respectez toujours certaines précautions de sécurité élémentaires afin de réduire les risques d'incendie, de choc électrique et de blessure corporelle, parmi lesquelles :

1. Évitez les environnements dangereux - N'utilisez pas l'outil dans des endroits humides ou mouillés.
2. N'utilisez pas l'outil sous la pluie.
3. Gardez les enfants éloignés - Toutes les autres personnes doivent être maintenues à distance de la zone de travail.
4. Portez des vêtements appropriés - Ne portez pas de vêtement ample ni de bijou. Car ils pourraient se prendre dans les pièces mobiles.

Nous recommandons d'utiliser des gants et des chaussures appropriées lorsque vous travaillez à l'extérieur. Portez un couvre-chef protecteur pour maintenir les cheveux longs.

5. Utilisez des lunettes de sécurité - Utilisez toujours un masque facial ou un masque anti-poussière si l'opération est poussiéreuse.
6. Utilisez le bon outil - N'utilisez pas l'appareil pour un travail autre que celui pour lequel il est destiné.
7. Un disjoncteur différentiel de fuite à la terre (DDFT) doit être fourni sur le(s) circuit(s) ou la(les) prise(s) à utiliser pour l'appareil de jardinage. Les prises sont disponibles avec une protection DDFT intégrée et peuvent être utilisées pour cette mesure de sécurité.
8. Avertissement - Pour réduire les risques d'électrocution, utilisez uniquement une rallonge destinée à une utilisation en extérieur, telle qu'une rallonge de type SW-A, SOW-A, STW-A, STOW-A, SJW-A, SJOW. -A, SJTW-A. ou SJTOW-A.
9. Évitez tout démarrage involontaire - Ne transportez pas l'appareil branché avec le doigt sur l'interrupteur. Assurez-vous que l'interrupteur est éteint lors du branchement.
10. Ne maltraitez pas le câble d'alimentation. Ne transportez jamais l'appareil en le tirant par le câble d'alimentation et ne tirez pas dessus pour le débrancher de la prise. Veillez à ce que le câble d'alimentation reste éloigné des sources de chaleur, de l'huile et des arêtes coupantes.
11. Ne forcez pas l'outil - L'utilisation d'un outil électrique approprié au travail à effectuer permet de réaliser ce travail plus efficacement, avec une sécurité accrue, et au rythme pour lequel l'outil a été conçu.
12. Ne tentez pas de scier en risquant de perdre votre équilibre - Restez toujours d'aplomb et gardez constamment un bon équilibre.
13. Restez vigilant(e) - Restez attentif(ve) à ce que vous êtes en train de faire. Faites preuve de bon sens. Ne faites pas fonctionner l'outil quand vous êtes fatigué(e).
14. Déconnexion de l'appareil - Débranchez l'appareil de l'alimentation électrique lorsque vous ne l'utilisez pas, avant de procéder à l'entretien, lors du changement d'accessoires tels que des lames, etc.
15. Rangez l'outil en intérieur - Lorsqu'ils ne sont pas utilisés, les appareils doivent être entreposés à l'intérieur, dans un endroit sec et élevé ou fermé à clé, hors de portée des enfants.

16. Entretenez l'appareil avec précaution - Maintenez le tranchant propre et net pour une performance optimale et pour réduire les risques de blessures. Suivez les instructions pour lubrifier et changer les accessoires. Inspectez périodiquement le câble de l'appareil et, s'il est endommagé, faites-le réparer par un centre de service agréé. Inspectez périodiquement la rallonge et remplacez-la si elle est endommagée. Gardez les poignées sèches, propres et exemptes d'huile et de lubrifiant.
17. Vérifiez si l'outil ne comporte pas de pièce endommagée - Avant d'utiliser cet outil, toute pièce endommagée (carter ou autre composant) doit être soigneusement inspectée pour vérifier qu'elle pourra fonctionner normalement et remplir sa fonction prévue. Vérifiez l'alignement des pièces mobiles, le mouvement des pièces mobiles, si des pièces sont cassées, le montage et toute autre condition qui pourrait affecter son utilisation. Si une protection ou une autre pièce est endommagée, elle doit être correctement réparée ou remplacée par un centre de réparation agréé, sauf indication contraire de ce manuel d'utilisation.

## RÈGLES SPÉCIFIQUES DE SÉCURITÉ POUR L'UTILISATION DE L'ÉLAGUEUSE



### AVERTISSEMENT :

N'utilisez pas cet appareil à proximité de câbles électriques aériens. La conception de cet appareil n'intègre pas de dispositif de protection contre les chocs électriques en cas de contact avec les câbles à haute tension. Consultez les réglementations locales pour les distances de sécurité par rapport aux lignes électriques aériennes et assurez-vous que la position de fonctionnement est sûre et sécurisée avant d'utiliser l'élagueuse sur perche.

1. Portez un équipement de protection sur la tête et pour les yeux ainsi qu'un équipement de protection individuelle (EPI), y compris des vêtements adaptés.
2. Gardez les passants, en particulier les enfants, à une distance sécuritaire pendant le fonctionnement de l'élagueuse sur perche.
3. Veillez à ce qu'aucune partie du corps ne s'approche de la chaîne de l'outil. N'enlevez pas les débris de coupe et ne tenez pas le matériau à couper quand les lames sont en mouvement. Éteignez l'appareil et mettez l'interrupteur à l'arrêt avant de débloquer la lame. La chaîne reste en rotation après l'arrêt de l'outil. Un simple moment d'inattention lors de l'utilisation de l'élagueuse à perche peut entraîner de graves blessures corporelles.
4. Attendez l'arrêt complet de l'élagueuse sur perche avant de transporter l'appareil; tenez-le toujours par sa poignée. Remettez toujours le fourreau du guide-chaîne avant de transporter ou de ranger l'élagueuse sur perche. Une manipulation correcte de l'élagueuse sur perche permet de réduire les risques de blessures corporelles avec la chaîne.
5. Tenez toujours l'élagueuse sur perche par ses

poignées isolantes : La chaîne peut à tout moment entrer en contact avec un fil électrique caché. Si la chaîne entre en contact avec un câble électrique "sous tension", les parties métalliques non carénées de l'outil peuvent se retrouver sous tension et l'opérateur risque d'être électrocuté.

6. Veillez à ce que le câble reste à l'écart de la zone de coupe. Durant le fonctionnement, le câble peut être caché dans les arbustes et peut être accidentellement coupé par la chaîne.
7. N'utilisez jamais l'élagueuse sur perche lors de mauvaises conditions météorologiques, notamment s'il y a un risque de foudre. Cela pourrait augmenter le risque d'être frappé par la foudre.
8. Afin de réduire tout risque d'électrocution, n'utilisez jamais l'outil près de câbles électriques. Le contact ou l'utilisation de l'outil à proximité de lignes électriques peut provoquer des blessures graves ou des chocs électriques pouvant entraîner la mort.
9. Utilisez toujours vos deux mains pour maintenir l'élagueuse. Maintenez l'élagueuse sur perche avec les deux mains pour éviter la perte de contrôle.
10. Utilisez toujours une protection sur la tête lorsque vous utilisez l'élagueuse sur perche. La chute de débris peut entraîner des blessures graves.

## CONSERVEZ CES INSTRUCTIONS

### Avertissements de sécurité complémentaires concernant l'utilisation

- Débranchez toujours l'appareil de l'alimentation avant de procéder à l'assemblage, à des réglages ou au nettoyage, et avant de laisser l'outil sans surveillance pendant une période quelconque.
- Vérifiez si l'outil est complet, correctement assemblé et tous les réglages effectués (voir les détails ci-dessous) avant de commencer à utiliser l'outil. Répétez régulièrement la vérification lors de l'utilisation.
- Utilisez toujours le harnais pour porter le poids de l'outil sur l'épaule. Si vous utilisez le harnais autour de votre corps, apprenez comment utiliser le système de libération rapide du harnais et gardez-le devant votre corps.
- Tout nouvel utilisateur doit se faire expliquer au préalable l'utilisation de l'appareil et des équipements de protection par un utilisateur expérimenté. L'usage initial est de couper des bûches sur un chevalet ou un billot.
- Cet appareil n'est pas prévu pour être utilisé par des personnes (y compris les enfants) dont les capacités physiques, sensorielles ou mentales sont réduites ou des personnes manquant d'expérience ou de connaissance, sauf si elles ont pu bénéficier, par l'intermédiaire d'une personne responsable de leur sécurité, d'une surveillance ou d'instructions préalables concernant l'utilisation de l'appareil. Les enfants doivent rester sous surveillance afin de garantir qu'ils ne jouent pas avec l'appareil.
- Les enfants et les jeunes, à l'exception des apprentis âgés de plus de 16 ans et sous surveillance, ne doivent pas utiliser le produit. Il en va de même pour

les personnes qui ne savent pas ou ne savent pas suffisamment comment manipuler le produit.

- Conservez les instructions de sécurité et d'utilisation pour toute consultation ultérieure. Les personnes inaptes ou fatiguées ne doivent pas utiliser cet outil.
- Attendez que la chaîne soit complètement arrêtée avant de la poser.
- Toute réparation doit être effectuée par un technicien d'entretien agréé.

## SÉCURITÉ ÉLECTRIQUE



### AVERTISSEMENT :

Ne touchez pas les bornes de la fiche lors du branchement ou du débranchement de la rallonge de la prise.

1. Les outils à double isolation sont équipés d'une fiche polarisée (une lame est plus large que l'autre) et nécessitera l'utilisation d'une rallonge polarisée. La prise de l'élagueuse ne peut être insérée que d'une seule façon dans une prise polarisée. Si la prise ne s'insère pas complètement dans la prise secteur, inversez la prise. Si la prise ne correspond toujours pas, procurez-vous une rallonge polarisée appropriée. Une rallonge polarisée doit être branchée sur une prise murale polarisée. Cette prise d'alimentation ne pourra être insérée que d'une seule façon dans une prise polarisée. Si la prise ne s'insère pas complètement dans la prise secteur, inversez la prise. Si la prise ne correspond toujours pas, contactez un électricien qualifié pour installer une prise appropriée. Ne changez pas la prise de l'appareil, le boîtier de la rallonge ou la prise de la rallonge de quelque manière que ce soit.
2. La double isolation élimine le besoin d'un câble d'alimentation à trois fils et d'un système d'alimentation habituel relié à la terre. Applicable uniquement aux outils de classe II (à double isolation). L'élagueuse sur perche est pourvue d'une double isolation.

## RALLONGES ÉLECTRIQUES

Utilisez une rallonge électrique appropriée. Utilisez UNIQUEMENT les câble répertoriés par Underwriters Laboratories (UL) (Organisme américain contrôlant la sécurité des appareils électriques). Tout autre type de rallonge pourrait provoquer une chute de la tension secteur, entraînant une perte de puissance et une surchauffe du produit.

Pour cet outil, une valeur AWG (American Wire Gauge) d'au moins 14 est recommandée pour une rallonge de 25 pieds ou moins de longueur. Utilisez un calibre 12 pour une rallonge de 50 pi. Les rallonges électriques de 100 pi ou plus ne sont pas recommandées. N'oubliez pas qu'un calibre de fil inférieur a une capacité supérieure à un nombre supérieur (un fil de calibre 14 a une capacité supérieure à un fil de calibre 16; un fil de calibre 12 a une capacité supérieure à un fil de calibre 14). En cas de doute, utilisez un calibre plus petit.

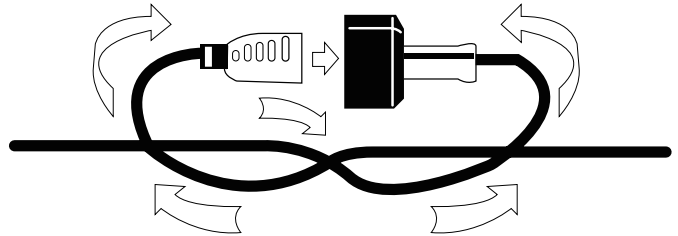
## Jauge requise pour les rallonges

Volts	Longueur totale du câble en pieds			
120 V	25	50	100	150

### Ampérage

Plus de / Pas plus de	AWG			
0-6	18	16	16	14
6-10	18	16	14	12
10-12	16	16	14	12
12-16	14	12	Non recommandé	

### Fixation de la rallonge



### ATTENTION :

Gardez la rallonge éloignée de la zone de travail. Positionnez le câble de sorte qu'il ne soit pas coincé sur des arbustes, des haies, des troncs d'arbres, ou happé par la machine lorsque vous travaillez avec l'élagueuse sur perche.



### AVERTISSEMENT :

Vérifiez la rallonge avant chaque utilisation. Si la rallonge est endommagée, remplacez-la immédiatement. N'utilisez jamais d'outil avec un câble endommagé car le contact avec la zone endommagée pourrait provoquer un choc électrique et des blessures graves.

## RISQUES RÉSIDUELS



### AVERTISSEMENT :

Il est impossible d'éliminer tous les facteurs de risques résiduels, même si les instructions d'utilisation de l'unité sont respectées. Les dangers suivants peuvent exister du fait de la fabrication et de la conception de l'outil :

- Lésions touchant les poumons si aucun masque anti-poussières efficace n'est porté.
- Perte d'acuité auditive si aucune protection auditive efficace n'est portée.
- Des problèmes de santé dus aux émissions vibratoires si l'outil est utilisé pendant une durée trop longue ou s'il n'est pas correctement utilisé et entretenu.



### AVERTISSEMENT :

Cet outil génère un champ électromagnétique quand il est en fonctionnement. Dans certaines circonstances, ce champ magnétique peut interférer avec les implants médicaux actifs ou passifs! Pour réduire le risque de blessure grave ou mortelle, nous recommandons aux

personnes portant des implants médicaux de consulter leur médecin et le fabricant de l'implant médical avant d'utiliser cet appareil.



## AVERTISSEMENT :

Inspectez le produit avant chaque utilisation. Remplacez les pièces endommagées. Vérifiez que toutes les attaches sont en place et sécurisées. Remplacez les pièces fissurées, ébréchées ou endommagées de quelque façon que ce soit. Vérifiez que l'accessoire de coupe est correctement installé et solidement fixé.



## AVERTISSEMENT :

Ne démarrez et ne faites jamais fonctionner l'unité dans une pièce ou un bâtiment fermé.

### RÉDUIRE LES RISQUES DE REBONDS

Un rebond peut se produire quand la pointe ou l'extrémité du guide-chaîne touche un objet, ou quand le bois emprisonne la chaîne au niveau de la ligne de coupe.

Si le bout de l'appareil entre en contact avec un objet, il peut dans certains cas se produire une réaction brutale qui projette le guide-chaîne vers le haut et vers l'utilisateur.



## AVERTISSEMENT :

Le risque de rebond est plus grand lorsque vous tentez de couper à proximité ou avec la pointe du guide-chaîne. Appliquez toujours la scie la plus plate possible afin d'éviter toute perte de contrôle pendant le fonctionnement.

Si la chaîne est pincée contre le bord supérieur du guide, celui-ci peut être projeté brutalement vers l'opérateur. Chacune de ces réactions peut vous faire perdre le contrôle de l'outil et provoquer de graves blessures corporelles. Ne vous reposez pas exclusivement sur les dispositifs de sécurité dont est munie votre machine.

Le rebond est le résultat d'une mauvaise utilisation de l'outil et / ou de procédures d'utilisation incorrectes. Ces conditions peuvent être minimisées en suivant les étapes suivantes :

1. Utilisez une prise ferme avec le pouce et les doigts encerclant les poignées de l'élagueuse. Tenez fermement l'outil électrique avec les deux mains et positionnez votre corps et vos bras de façon à pouvoir résister à la force d'un éventuel rebond.
2. Ne tentez pas d'atteindre à une zone difficile d'accès de votre position et préparez une zone de travail appropriée non obstruée.
3. Utilisez uniquement les guides et chaînes spécifiés par Senix. Remplacez les lames émoussées si nécessaire.
4. Ne laissez l'extrémité du guide-chaîne entrer en contact avec aucune surface.
5. Gardez toujours une tension appropriée sur la lame. Vérifiez la tension à intervalles réguliers.
6. Les coupes ne doivent avoir lieu que lorsque la

chaîne se déplace à pleine vitesse. Ne mettez pas en marche et n'éteignez pas l'outil au milieu d'une coupe. Soyez extrêmement prudent quand vous entrez à nouveau la scie dans une ligne de coupe antérieure.

7. Coupez une seule branche à la fois. N'essayez pas de faire des coupes en plongée ou en creux. Surveillez le déplacement des bûches ou d'autres forces externes qui pourraient bloquer une coupe ou pincer la chaîne.
8. Faites une pré-découpe sur le côté opposé de la bûche pour éviter que la lame ne se pince pendant le fonctionnement, ce qui constitue une autre protection contre le risque de rebond.

### TECHNIQUES DE SCIAGE



## AVERTISSEMENT :

Pour couper les branches, maintenez l'élagueuse sur un angle de 0 à 60° afin d'éviter d'être heurté par une branche qui tombe. La scie ne doit jamais être utilisée directement au-dessus de votre tête.

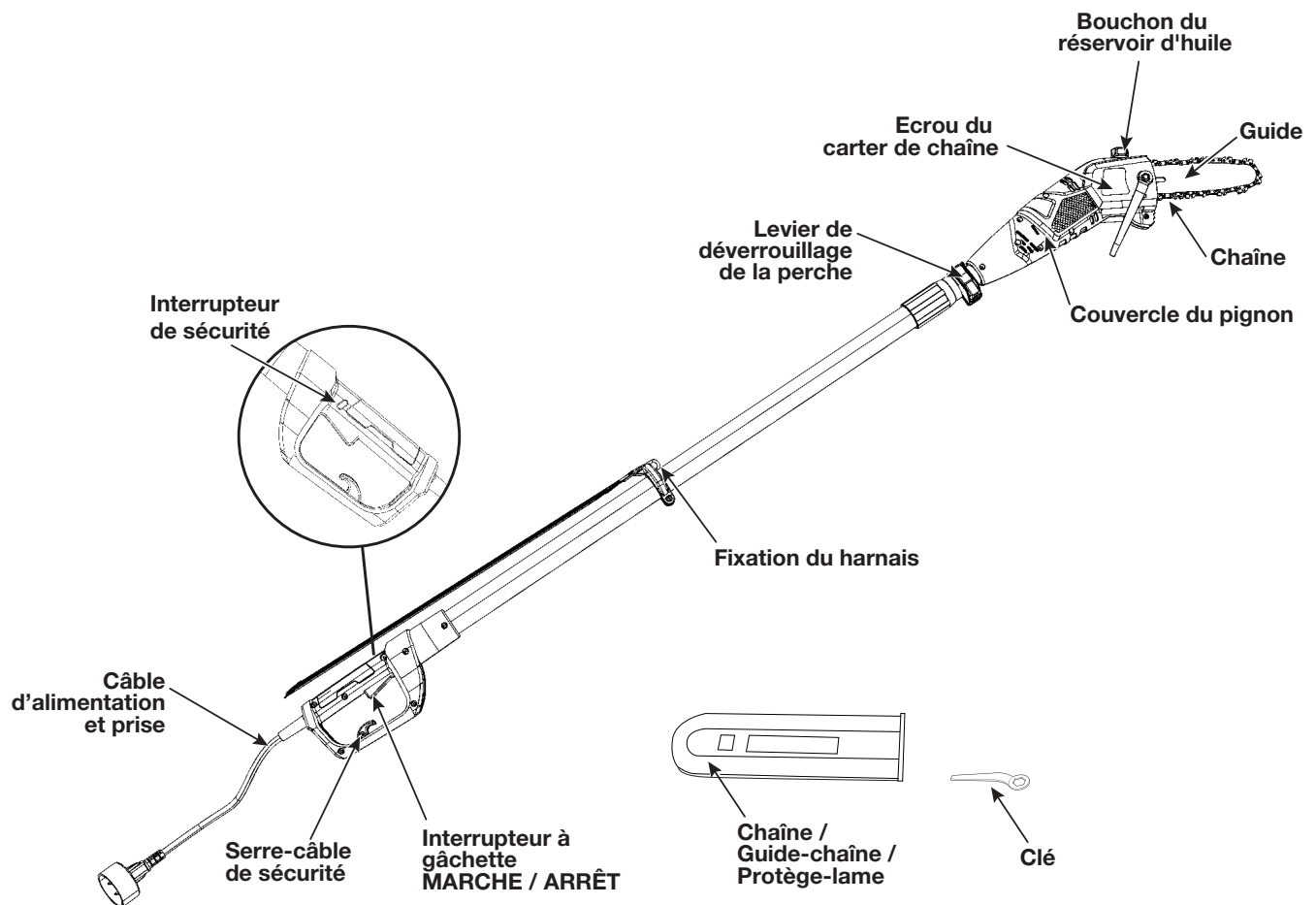
- Sciez les branches inférieures de l'arbre d'abord. Ce faisant, il est plus facile pour les branches coupées de tomber au sol.
- A la fin de la coupe, le poids de la scie augmente soudainement pour l'utilisateur puisqu'il n'est plus supporté par une branche. Il y a alors un risque de perte le contrôle de l'élagueuse; assurez-vous de rester vigilant pendant toute l'opération de sciage.
- Ne sortez la scie d'une coupe que lorsque la scie fonctionne. De cette façon, vous évitez que la chaîne ne se coince dans le bois.
- Ne sciez jamais avec le bout du guide-chaîne. Ne sciez pas dans les formations de branche (où les branches de l'arbre se ramifient vers l'extérieur). Cela empêcherait la capacité de l'arbre à repousser.
- Pour scier les petites branches, placez la face d'arrêt de la scie sur la branche. Cela empêchera les mouvements indésirables de la scie au début de la coupe. Tout en appliquant une légère pression, guidez la scie à travers la branche de haut en bas.
- Pour scier les grosses branches, faites d'abord une coupe en relief. Sciez à travers 1/3 du diamètre de la branche du bas vers le haut en utilisant le côté supérieur de la barre de guidage. Puis, sciez de haut en bas pour les autres 2/3 en utilisant le côté inférieur de la barre de guidage.
- Sciez les branches plus longues en portions afin de garder le contrôle de l'emplacement de l'impact.
- Lorsque vous travaillez sur une pente, placez-vous toujours au-dessus ou sur le côté de la branche à scier. Maintenez l'outil à une distance suffisante de votre corps. De cette façon, vous maximiserez votre équilibre.

## DESCRIPTION DE VOTRE APPAREIL

### APPLICATIONS

Comme scie télescopique :

- Pour couper les petites branches
- Pour élaguer les arbres



## SPÉCIFICATIONS\*

Tension nominale.....	120V ~ 60Hz
Courant nominal.....	6,5A
Type de moteur.....	Moteur universel
Vitesse à vide.....	5200/min
Capacité du réservoir de carburant.....	2,04 oz. (60 ml)
Chaîne.....	8 pouces (203 mm), Oregon, 91PJ033X
Guide-chaîne.....	8 pouces (203 mm), Oregon, 080SDEA041
Poids.....	6,8 livres. (3,1 kg)

\* Toutes les spécifications sont basées sur les dernières informations disponibles sur le produit au moment de l'impression. Nous nous réservons le droit d'apporter des modifications à tout moment sans préavis.

## ASSEMBLAGE

Ce produit doit être assemblé. Retirez délicatement le produit et tous les accessoires hors de l'emballage. Assurez-vous que toutes les pièces énumérées dans la liste de l'emballage sont incluses. Inspectez soigneusement le produit pour vous assurer qu'il n'y a pas eu de cassure ou de dommage pendant le transport.

Ne jetez pas les matériaux d'emballage avant d'avoir soigneusement inspecté et utilisé le produit de manière satisfaisante. Si des pièces sont endommagées ou manquantes, veuillez appeler le centre d'assistance à la clientèle 1-800-261-3981.



### AVERTISSEMENT :

N'utilisez pas ce produit si des pièces de la liste d'emballage sont déjà assemblées à votre produit lorsque vous le déballez. Les pièces de cette liste ne sont pas assemblées au produit par le fabricant et nécessitent un assemblage par le consommateur. L'utilisation d'un produit dont les pièces sont endommagées ou manquantes pourrait provoquer de graves dommages corporels.

### PIÈCES INCLUSES

Quantité	Élément
1	Manuel d'instructions
1	Carter de protection de la chaîne
1	Clé d'écrou
1	Harnais



### AVERTISSEMENT :

Pour éviter un démarrage accidentel qui pourrait causer des blessures graves, débranchez toujours le fil de la bougie du moteur lors de l'assemblage des pièces.



### AVERTISSEMENT :

N'installez, ne retirez et ne réglez jamais aucun accessoire lorsque la tête motrice est en marche. Ne pas arrêter le moteur peut causer des blessures graves.



### AVERTISSEMENT :

Tâchez d'éviter qu'une bonne connaissance de ce produit vous rende négligent. Rappelez-vous qu'il ne suffit qu'une fraction de seconde d'inattention pour provoquer de graves blessures.



### AVERTISSEMENT :

Portez toujours des lunettes de sécurité avec des protections latérales marquées conformes à la norme ANSI Z87.1 lorsque vous utilisez cet équipement. Ne pas respecter cette consigne pourrait avoir pour conséquence l'éjection d'objets dans vos yeux, provoquant de possibles blessures graves.

## DÉBALLAGE



### AVERTISSEMENT :

Si une partie de l'élagueuse sur perche est manquante ou endommagée, ne branchez pas l'appareil et ne l'utilisez pas avant que la pièce endommagée ne soit réparée ou remplacée.

NE jetez PAS le carton ou les matériaux d'emballage avant d'avoir examiné toutes les pièces.

**REMARQUE :** L'huile de chaîne et de barre n'est pas incluse. Vous devez remplir l'élagueuse sur perche avec de l'huile SAE30 AVANT de l'utiliser.

**REMARQUE :** Retirez la chaîne / le guide-chaîne / le protège-lame avant l'utilisation.

## MONTAGE DE LA CHAÎNE ET DU GUIDE-CHAÎNE



### AVERTISSEMENT :

Débranchez le fil de la bougie avant d'effectuer des procédures d'entretien ou d'assemblage.



### AVERTISSEMENT :

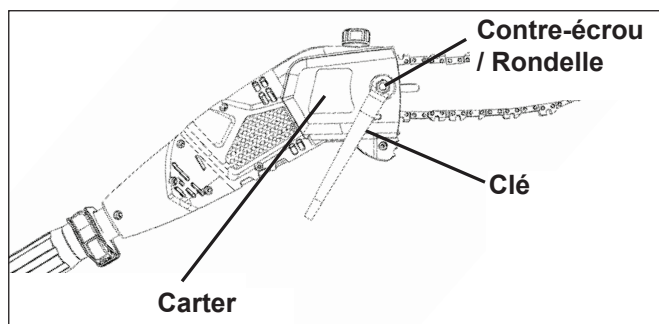
Les lames de la chaîne sont très coupantes. Ne manipulez jamais la chaîne sans mettre des gants.



### AVERTISSEMENT :

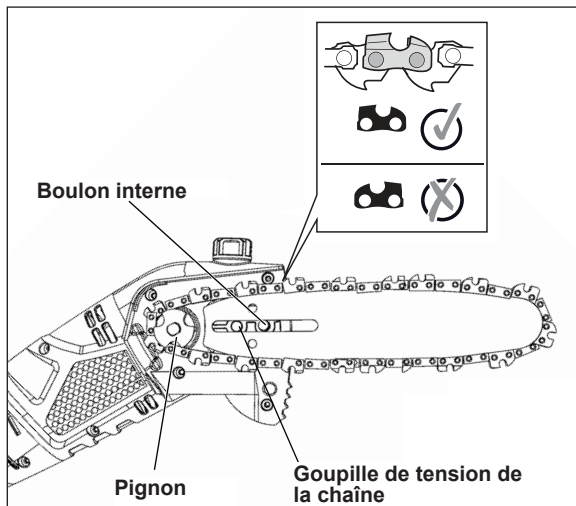
La chaîne doit être TOUJOURS gardée tendue. Le risque de rebond augmente si la chaîne est détendue. Une chaîne détendue peut en outre sauter en dehors de la fente du guide-chaîne. La chaîne risquerait alors d'être endommagée et de blesser l'utilisateur. Enfin, une chaîne détendue accélère l'usure du guide-chaîne, du pignon et de la chaîne elle-même. La durée de vie de la chaîne dépend principalement du graissage et de la tension. Évitez de tendre la chaîne si elle est chaude, car cela la rendrait plus tendue une fois refroidie.

1. Placez le boîtier de la scie sur une surface ferme et plane.

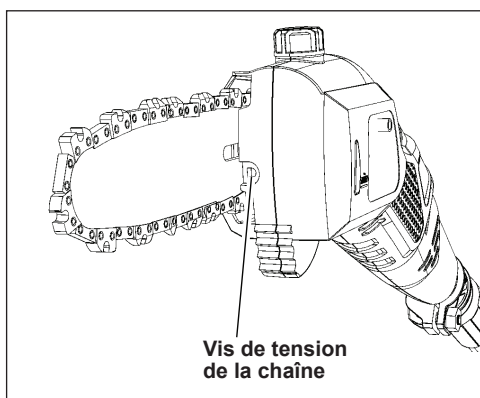


2. À l'aide de la clé fournie, tournez l'écrou de blocage du réglage de la barre dans le sens anti-horaire pour le desserrer. Desserrez l'écrou de verrouillage, la rondelle et le carter.

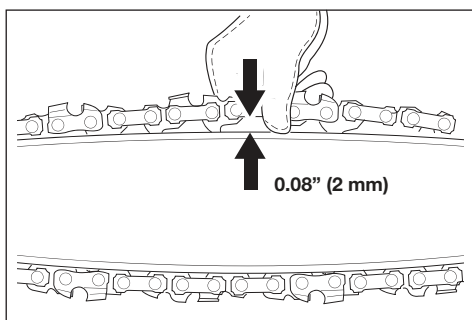




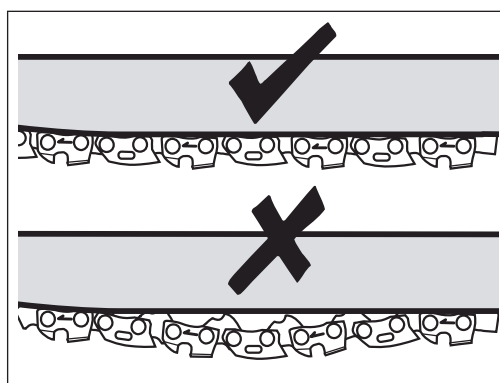
3. En portant des gants de protection, enrroulez la chaîne autour du guide-chaîne en vous assurant que les dents sont orientées dans le sens de la rotation. La chaîne doit être correctement placée dans la fente qui s'étend le long du bord extérieur du guide-chaîne.
4. Placez la chaîne autour du pignon tout en alignant la fente du guide-chaîne avec le boulon interne à la base de la scie et la goupille de tension de la chaîne dans le trou du guide-chaîne. La goupille de tension de la chaîne peut nécessiter un ajustement pour s'aligner correctement sur le trou du guide-chaîne. Utilisez la roue de tension de la chaîne pour ajuster son emplacement jusqu'à ce qu'elle s'insère dans le guide-chaîne.



5. Tournez la vis de tension de la chaîne dans le sens des aiguilles d'une montre pour serrer au préalable suffisamment le guide-chaîne pour que la chaîne reste en place.
6. Installez la rondelle et le contre-écrou. A l'aide de la clé fournie, tournez le contre-écrou dans le sens des aiguilles d'une montre pour le serrer. NE serrez PAS exagérément.



7. Vérifiez la tension de la chaîne en éloignant la chaîne du guide-chaîne. Une chaîne correctement tendue doit être à une distance d'environ 1/8 pouce (2 mm) du guide-chaîne.
8. Si des ajustements sont nécessaires, desserrez le contre-écrou de la barre d'un tour complet.
9. Pour ajuster la tension de la chaîne, tournez la vis de tension de la chaîne. Tourner la vis dans le sens des aiguilles d'une montre augmente la tension alors que la tourner dans le sens contraire des aiguilles d'une montre, la tension sera réduite. Une chaîne correctement tendue ne doit pas être lâche et ne doit pouvoir être tirée que de 1/8 pouces (2 mm) du guide-chaîne.
10. Une fois que la chaîne est correctement tendue, serrez le contre-écrou de la barre. Ne tendez pas trop la chaîne : cela entraînerait une usure excessive et réduirait la durée de vie du guide-chaîne et de la chaîne.



## ⚠ ATTENTION:

La chaîne de l'élagueuse doit être tendue correctement afin de garantir un fonctionnement sûr.

Puisque la chaîne de l'élagueuse chauffe pendant le fonctionnement, sa longueur peut fluctuer. Vérifiez la tension de la chaîne toutes les 10 minutes de fonctionnement et réglez-la au besoin, en particulier si la chaîne est neuve.

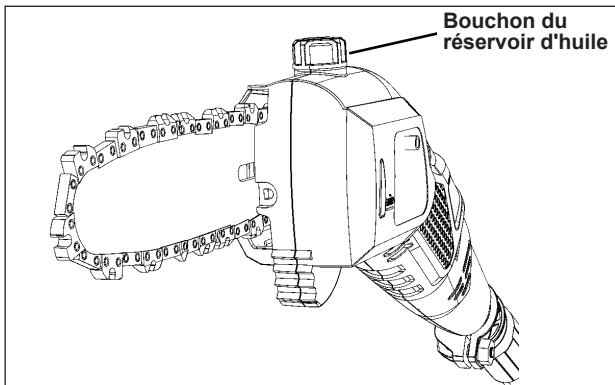
**CONSEIL:** La chaîne de l'élagueuse se raccourcit lors du refroidissement. Desserrez la chaîne après l'utilisation pour allonger la durée de vie de la chaîne et pour éviter d'éventuels dommages.

## LUBRIFICATION DE LA CHAÎNE

L'élagueuse sur perche dispose d'un système de lubrification automatique de la chaîne. N'utilisez jamais l'élagueuse sur perche sans huile de chaîne. L'utilisation de l'élagueuse sur perche sans suffisamment d'huile pour chaîne endommagerait l'unité.

**IMPORTANT:** Utilisez uniquement de l'huile de chaîne SAE300. Les autres huiles risquent d'endommager l'unité et d'annuler la garantie. Prenez note des conditions de température. L'utilisation de l'élagueuse à diverses températures nécessite l'utilisation d'huiles différentes. Pour assurer une couche suffisante de lubrifiant à des températures plus basses, utilisez de l'huile liquide (faible viscosité).

## REPLISSAGE DU RÉSERVOIR DE CARBURANT



1. Placez l'élagueuse à perche sur une surface plane. Nettoyez le pourtour du bouchon d'huile puis ouvrez le bouchon.

### **ATTENTION:**

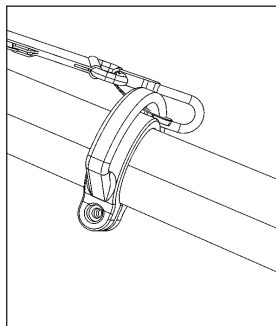
Assurez-vous qu'aucune saleté ne pénètre dans le réservoir d'huile pour éviter le colmatage dans l'embout d'huile.

2. Remplissez le réservoir avec 2.04 oz. (60 ml) d'huile de chaîne.
3. Fermez le bouchon du réservoir.

## INSTALLATION DU HARNAIS

Le harnais avec fonction de dégagement rapide peut être accroché derrière la poignée arrière si nécessaire.

**REMARQUE:** L'utilisation du harnais est facultative



### **AVERTISSEMENT :**

N'utilisez pas des accessoires ou des pièces non recommandés par le fabricant de ce produit. L'utilisation d'équipements ou d'accessoires qui ne sont pas recommandés peut provoquer de graves dommages corporels.

### **AVERTISSEMENT :**

Le boîtier du moteur peut chauffer pendant le fonctionnement de l'élagueuse sur perche. Ne reposez pas et ne placez pas votre bras, votre main ou une partie de votre corps contre le carter du moteur. Un contact prolongé avec le carter moteur peut provoquer des brûlures ou d'autres blessures.

### **AVERTISSEMENT :**

Positionnez toujours l'appareil sur votre côté droit. L'utilisation de l'appareil sur le côté gauche vous exposera à des surfaces chaudes et pourrait causer des brûlures. Pour éviter les brûlures causées par les surfaces chaudes, ne faites jamais fonctionner en plaçant le moteur au-dessus de votre taille.

### **AVERTISSEMENT :**

Tâchez d'éviter qu'une bonne connaissance de ce produit vous rende négligent. Rappelez-vous qu'il ne suffit qu'une fraction de seconde d'inattention pour provoquer de graves blessures.

### **AVERTISSEMENT :**

Portez toujours des lunettes de sécurité avec des protections latérales marquées conformes à la norme ANSI Z87.1 lorsque vous utilisez cet équipement. Ne pas respecter cette consigne pourrait avoir pour conséquence l'éjection d'objets dans vos yeux, provoquant de possibles blessures graves.

### **AVERTISSEMENT :**

N'utilisez pas des accessoires ou des pièces non recommandés par le fabricant de ce produit. L'utilisation d'équipements ou d'accessoires qui ne sont pas recommandés peut provoquer de graves dommages corporels.

### **AVERTISSEMENT :**

L'utilisation de cet équipement pourrait créer des étincelles pouvant déclencher des incendies autour d'une végétation sèche. L'opérateur doit contacter les services d'incendie locaux pour connaître les lois ou règlements relatifs aux exigences de prévention des incendies.

### **AVERTISSEMENT :**

Faites fonctionner cet appareil uniquement dans un espace extérieur bien ventilé.

### **ATTENTION :**

Ne vous surmenez pas. Prenez des pauses régulières et changez de position de travail pour vous assurer que vous pouvez vous concentrer sur le travail et avoir un contrôle total sur le produit. Maintenez toujours un ferme équilibre, et ayez toujours de bons appuis pendant le fonctionnement.

### **ATTENTION :**

Inspectez le produit avant chaque utilisation. Remplacez les pièces endommagées. Vérifiez s'il n'y a pas de fuite de carburant. Vérifiez que toutes les attaches sont en place et sécurisées.

### PRÉPARATIONS

Avant chaque utilisation, vérifiez les éléments suivants pour garantir des conditions de travail sûres.

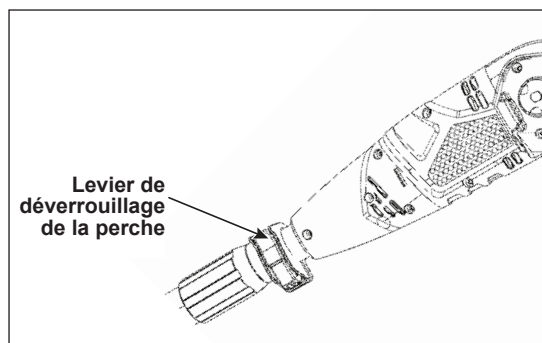
**ÉLAGUEUSE :** Avant de commencer le travail, inspectez l'élagueuse sur perche pour déceler tout dommage potentiel sur le boîtier, sur la rallonge, sur la chaîne de la scie ou sur le guide-chaîne. N'utilisez jamais un appareil endommagé.

**RÉSERVOIR D'HUILE :** Vérifiez le niveau de remplissage du réservoir. Vérifiez également s'il y a suffisamment d'huile disponible pendant le travail. Ne faites jamais fonctionner l'élagueuse s'il n'y a pas d'huile ou si le niveau d'huile est inférieur au repère de niveau d'huile minimum afin d'éviter d'endommager l'outil.

**CHAÎNE DE SCIE :** Vérifiez la tension de la scie et l'état des lames. Plus la chaîne est affûtée, plus les opérations de coupe seront simples et faciles. La même chose s'applique à la tension de la chaîne. Vérifiez la tension de la chaîne de scie toutes les 10 minutes d'utilisation pour maximiser la sécurité. Les nouvelles chaînes en particulier sont sujettes à des changements dus à la chaleur créée par l'utilisation.

**VETEMENTS DE PROTECTION :** Portez des vêtements de protection appropriés et bien ajustés tels qu'un pantalon de protection, des gants et des chaussures de sécurité. Portez un casque de sécurité muni d'une protection auditive intégrée et d'un protège-visage pour vous protéger contre les chutes et le rebond des branches.

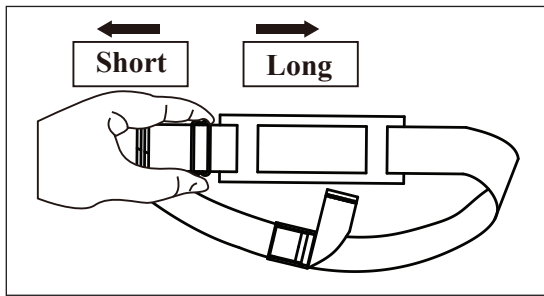
### RÉGLAGE DE LA POIGNÉE TÉLESCOPIQUE



1. Débloquez le levier de déverrouillage de la perche de façon à ce que la perche télescopique puisse s'étirer librement vers l'extérieur et vers l'intérieur.

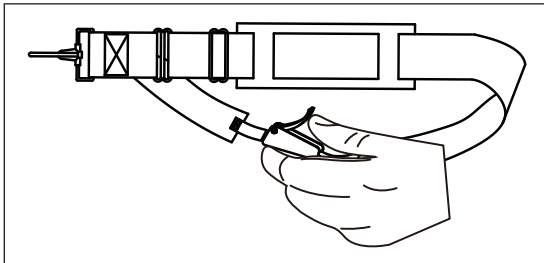
2. Étirez-la jusqu'à la longueur désirée et verrouillez le levier de verrouillage de la perche pour la maintenir en place.

## AJUSTEMENT DU HARNAIS



Ajustez le harnais sur une longueur qui convient à votre opération.

Utilisez toujours le harnais pour porter le poids de l'outil sur votre épaule (du même côté de l'outil ou à travers votre corps)! Assurez-vous que le système de libération rapide du harnais est placé sur votre poitrine (et NON sur votre dos).



Ouvrez le système de libération rapide du harnais s'il est nécessaire d'ouvrir le harnais rapidement.

## BRANCHEMENT D'UNE RALLONGE

### ⚠️ AVERTISSEMENT :

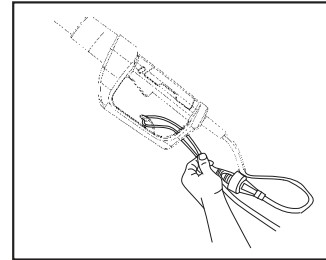
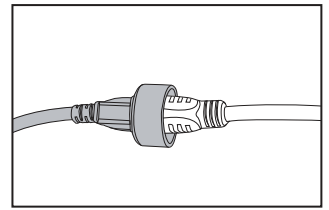
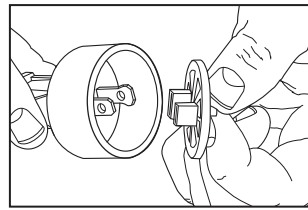
Vous ne devez utiliser que des rallonges pour une utilisation en extérieur, des câbles en PVC ou en caoutchouc avec une longueur d'au moins 1,5 m. Avant d'utiliser et durant l'utilisation, vérifiez si l'alimentation et la rallonge ne présentent aucun signe de détérioration ou de vieillissement. N'utilisez pas l'appareil si le câble électrique est détérioré ou usé. Veillez à ce que les rallonges électriques restent éloignées des accessoires de coupe. Si le câble d'alimentation est endommagé pendant l'utilisation, débranchez-le immédiatement de la source électrique. Ne touchez pas le câble avant d'avoir coupé l'alimentation.

Retirez le couvercle de sécurité de la prise. Insérez la prise du câble d'alimentation dans une prise murale. Un serre-câble pour la rallonge est fixé à la poignée pour réduire la tension sur le câble.

Pour utiliser le serre-câble, doublez la rallonge comme illustré, à environ un pied de l'extrémité, et insérez-la dans l'extrémité de l'attache. Placez la boucle formée en doublant le câble sur le crochet. Tirez doucement sur le câble pour assurer qu'il est bien placé dans le dispositif de maintien.

Gardez la rallonge éloignée de l'opérateur, de l'appareil et de tout obstacle. Veillez à ce que le câble d'alimentation reste éloigné des sources de chaleur, de l'huile et des

arêtes coupantes.



## MAINTIEN DE L'APPAREIL

- Placez-vous en position de travail debout et droit. Ne vous penchez pas.
- Gardez les pieds écartés et fermes sur le sol.
- Tenez la poignée du manche de la main droite. Gardez le bras droit légèrement plié.
- Tenez la poignée avec la main gauche. Gardez le bras gauche tendu.
- Tenez l'appareil au niveau de la taille.
- Positionnez la tête de coupe à quelques pouces du sol.
- Veillez à maintenir toutes les parties de votre corps éloignées du mécanisme de coupe en rotation et des surfaces chaudes.

## ÉVITER LE RISQUE DE REBOND DURANT L'UTILISATION

Le rebond se produit lorsque la chaîne (à l'extrémité du guide-chaîne) entre en contact avec une bûche ou du bois, ou lorsque la chaîne de la scie se coince, souvent lors du sciage latéral, en biais ou lors de coupes dans le sens de la longueur.

### ⚠️ AVERTISSEMENT :

Lorsqu'un rebond se produit, l'élagueuse peut réagir d'une manière imprévisible et l'utilisateur ou les personnes situées à proximité peuvent être grièvement blessés.

#### Afin d'éviter les risques de rebond :

- Coupez avec le guide-chaîne en angle plat.
- Ne faites jamais fonctionner l'appareil avec une chaîne détendue, relâchée ou trop usée.
- Affûtez régulièrement la chaîne.
- Ne sciez jamais avec le bout du guide-chaîne.
- Maintenez solidement l'élagueuse avec les deux mains.
- Utilisez toujours une chaîne à rebond réduit.
- Assurez-vous que la chaîne reste assez tendue.

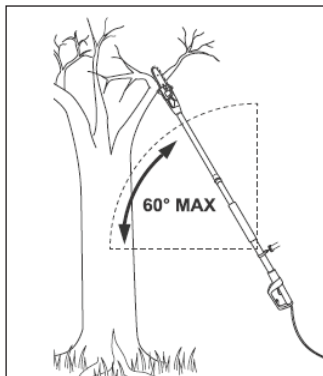
## MANIEMENT DE L'ÉLAGUEUSE SUR PERCHE

- Tenez l'élagueuse des deux mains et maintenez une prise souple.
- Tenez toujours les deux poignées solidement tout le long du travail.

## **⚠️ AVERTISSEMENT :**

N'utilisez jamais l'appareil en le tenant d'une seule main.

- Ne levez jamais l'élagueuse à un angle de plus de 60° par rapport au niveau horizontal.



## **⚠️ AVERTISSEMENT :**

Ne vous mettez jamais juste en-dessous de la branche que vous êtes en train de scier. Les objets peuvent tomber d'une manière imprévue. Tenez-vous toujours à l'écart de la zone de chute des branches. Ne laissez personne s'approcher de la partie coupante de l'outil. Les autres personnes doivent être maintenues à distance de la zone de travail.

- Maintenez une distance de sécurité de trente pieds au minimum de toute autre personne.

## **⚠️ AVERTISSEMENT :**

N'utilisez jamais cet appareil debout sur une échelle ou tout autre support instable.

- Assurez-vous que le câble d'alimentation est situé à l'arrière, éloigné de la chaîne et du bois, et non coincé dans des branches pendant la coupe.
- Tenez l'élagueuse sur perche sur le côté de votre corps.

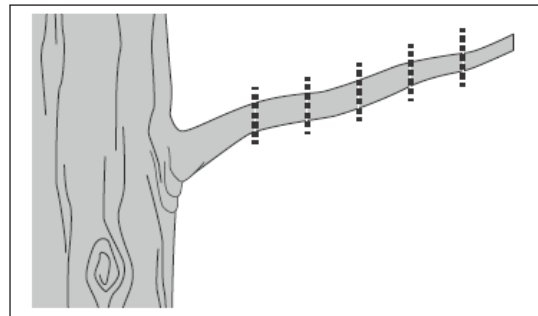
## **⚠️ AVERTISSEMENT :**

Ne tenez jamais l'appareil à bout de bras, et n'essayez pas de couper dans des endroits difficiles à atteindre.

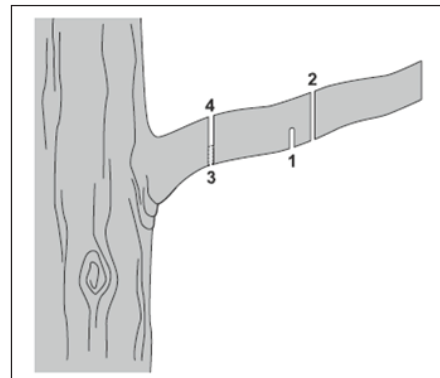
- Tenez l'élagueuse solidement, en exerçant une pression constante. N'essayez pas de forcer l'élagueuse à travers le bois, laissez la chaîne faire le travail. Utilisez les dents de préhension pour appliquer une pression de levier minimale.
- Faites attention lorsque vous arrivez à la fin de la coupe : Une fois libéré du bois, l'appareil peut brusquement changer de poids, N'éteignez jamais l'élagueuse avant de l'avoir complètement libérée du bois.

### **COUPE DE BRANCHES FINES**

- Les branches fines peuvent être coupées d'un seul coup.
- Coupez-les en plusieurs morceaux afin d'éviter les risques de torsion et de projection.



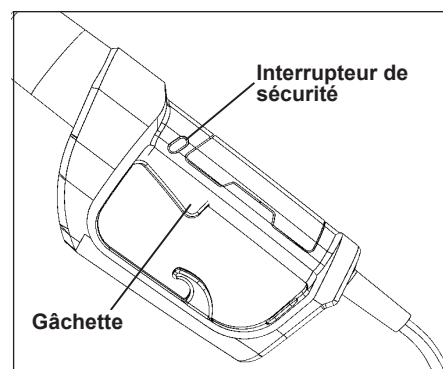
### **COUPE DE GROSSES BRANCHES**



La coupe de grosses branches doit se faire en quatre étapes :

- Commencez en faisant une entaille par en dessous, à un autre endroit que celui auquel vous avez l'intention de couper la branche.
- Cette entaille doit avoir une longueur comprise entre un tiers et la moitié du diamètre de la branche (1).
- Puis coupez la branche par le haut, un peu plus loin du tronc, en enfonçant la chaîne jusqu'à la hauteur de la première entaille (2).
- Pour éviter que le tronc et la branche ne se fendent, effectuez une coupe sous la branche (3).
- Enfin, coupez le bout restant d'un seul coup, de haut en bas. Si vous le souhaitez, scellez la coupe avec un composé approprié (4).
- Une fois la coupe terminée, éteignez l'élagueuse et débranchez le câble de l'alimentation électrique après l'utilisation.
- Nettoyez puis rangez l'appareil en intérieur hors de portée des enfants.

### **DÉMARRAGE ET ARRÊT**



Pour mettre l'élagueuse en marche, maintenez-la solidement avec les deux mains. Appuyez et maintenez l'interrupteur de sécurité situé sur le côté gauche de la poignée arrière au-dessus de la gâchette d'alimentation

principale.

Appuyez sur la gâchette pour mettre l'appareil en marche. L'interrupteur de sécurité peut maintenant être relâché. Pour éteindre l'appareil, relâchez l'interrupteur à gâchette MARCHE/ARRET.

**SI UNE ASSISTANCE EST NÉCESSAIRE POUR UTILISER CE PRODUIT :**

Ne retournez pas ce produit au magasin où il a été acheté. Veuillez appeler notre service clientèle pour tout problème que vous pourriez avoir avec le produit. Appelez le service clientèle : 1-800-261-3981

## ENTRETIEN

L'unité ne doit être réparée qu'avec des pièces de rechange identique. L'utilisation de toute autre pièce peut créer un danger ou détériorer le produit.

### **⚠️ AVERTISSEMENT :**

Pour éviter de graves blessures, arrêtez toujours le moteur et laissez-le refroidir avant de nettoyer ou de procéder à un entretien sur l'appareil. N'effectuez jamais de nettoyage ou d'entretien lorsque l'appareil est en marche. Débranchez le fil de la bougie pour éviter que l'appareil ne démarre accidentellement.

### **⚠️ AVERTISSEMENT :**

Portez des vêtements de protection et respectez toutes les consignes de sécurité pour éviter des blessures graves.

### **NETTOYAGE**

Utilisez une petite brosse pour nettoyer l'extérieur de l'appareil. N'utilisez pas de détergents puissants. Les nettoyants ménagers contenant des huiles aromatiques comme le pin et le citron et les solvants tels que le kérosène peuvent endommager le plastique. Essuyez toute humidité avec un chiffon doux.

Un nettoyage correct et régulier est non seulement important pour une utilisation sûre de ce produit, mais prolonge également sa durée de vie.

### **REPLACEMENT DE LA CHAÎNE ET DU GUIDE-CHAÎNE**

### **⚠️ AVERTISSEMENT :**

N'utilisez que la combinaison guide-chaîne / chaîne de remplacement indiquée. N'utilisez PAS d'autres combinaisons de guides-chaînes / chaînes.

### **⚠️ AVERTISSEMENT :**

Lors de la manipulation de la chaîne de coupe, portez toujours des gants de protection.

#### **Guide-chaîne :**

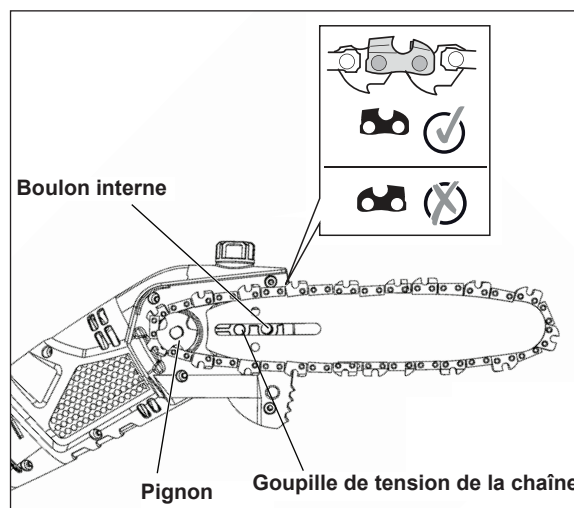
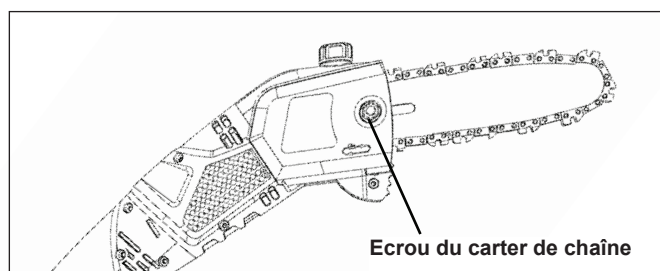
8 pouces (203 mm), 080SDEA041, Oregon

#### **Chaîne de coupe :**

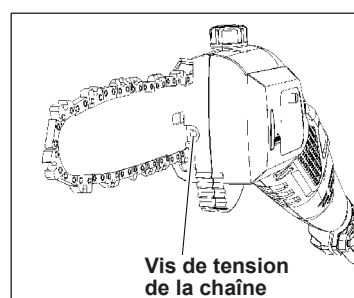
8 pouces (203 mm), 91PJ033X, Oregon

Remplacez la chaîne lorsque les dents sont trop usées pour être affûtées ou lorsque la chaîne se casse. Utilisez uniquement la chaîne de remplacement indiquée dans ce manuel. Utilisez toujours un nouveau pignon lors du remplacement de la chaîne. Cela maintiendra une conduite correcte de la chaîne.

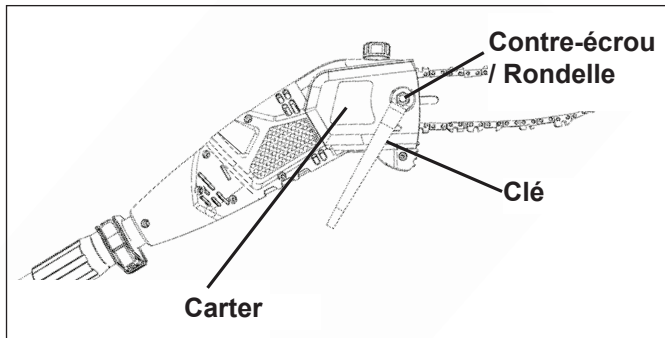
1. Placez le boîtier de la tronçonneuse sur une surface ferme et plane.
2. À l'aide de la clé fournie, tournez l'écrou du couvercle du pignon de chaîne dans le sens contraire des aiguilles d'une montre pour le desserrer. Retirez l'écrou et le couvercle.



3. En portant des gants de protection, enroulez la chaîne autour du guide-chaîne en vous assurant que les dents sont orientées dans le sens de la rotation. La chaîne doit être correctement placée dans la fente qui s'étend le long du bord extérieur du guide-chaîne.
4. Placez la chaîne autour du pignon tout en alignant la fente du guide-chaîne avec le boulon interne à la base de la scie et la goupille de tension de la chaîne dans le trou du guide-chaîne. La goupille de tension de la chaîne peut nécessiter un ajustement pour s'aligner correctement sur le trou du guide-chaîne. Utilisez un tournevis à lame plate pour tourner la vis de tension de la chaîne afin de régler l'emplacement de la goupille jusqu'à ce qu'elle s'insère dans le guide-chaîne.

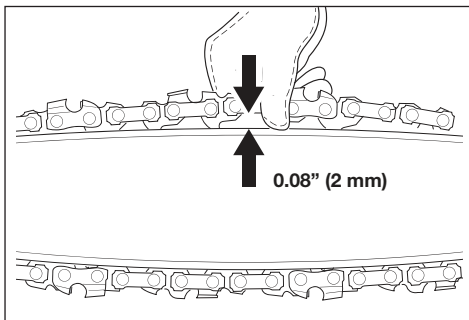


5. Tournez la vis de tension de la chaîne dans le sens des aiguilles d'une montre pour serrer suffisamment le guide-chaîne pour que la chaîne reste en place. Tout en maintenant la barre immobile, réinstallez le couvercle sur la scie. Assurez-vous que la patte s'aligne correctement avec la fente sur le boîtier de la tronçonneuse.

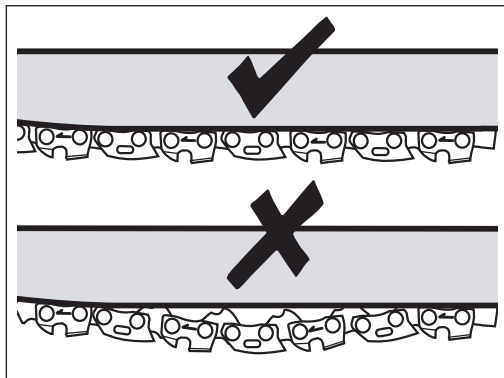


6. Installez le collier et le boulon de verrouillage. À l'aide de la clé fournie, tournez le contre-écrou dans le sens des aiguilles d'une montre pour le serrer. NE serrez PAS trop. Ajustez la tension de la chaîne

## TENSION DE LA CHAÎNE



1. Vérifiez la tension de la chaîne en éloignant la chaîne du guide-chaîne. Une chaîne correctement tendue doit être à une distance d'environ 1/8 pouce (2 mm) du guide-chaîne.
2. Si des ajustements sont nécessaires, desserrez le contre-écrou de la barre d'un tour complet.
3. Pour ajuster la tension de la chaîne, tournez la vis de tension de la chaîne. Tourner la vis dans le sens des aiguilles d'une montre augmente la tension alors que la tourner dans le sens contraire des aiguilles d'une montre, la tension sera réduite. Une chaîne correctement tendue ne doit pas être lâche et ne doit pouvoir être tirée que de 1/8 pouces (2 mm) du guide-chaîne.
4. Une fois que la chaîne est correctement tendue, serrez le contre-écrou de la barre. Ne tendez pas trop la chaîne : cela entraînerait une usure excessive et réduirait la durée de vie du guide-chaîne et de la chaîne.



## ⚠ ATTENTION :

La chaîne de la scie doit être tendue correctement afin de garantir un fonctionnement sûr.

## REPLACEMENT DU CÂBLE D'ALIMENTATION

Si le câble d'alimentation de ce produit est endommagé, il doit être remplacé par un câble de même type. Inspectez régulièrement le câble d'alimentation et la prise. S'il est endommagé, faites remplacer le câble d'alimentation par un technicien qualifié.

## ENTREPOSAGE

### ⚠ ATTENTION :

Installez le couvercle du guide-chaîne lors du transport pour éviter les blessures.

Examinez complètement la machine pour voir si certaines pièces sont usées, lâches ou endommagées. Si vous devez réparer ou remplacer une pièce, contactez le service clientèle de Senix sur 1-800-261-3981.

- Nettoyez la machine avant de l'entreposer.
- Rangez l'outil en plaçant le protège-lame fourni.
- Rangez la machine hors de portée des enfants et des autres personnes non autorisées dans un environnement bien ventilé, au sec et à l'abri du gel.
- Protégez l'appareil contre les poussières et l'humidité.
- Couvrez-le afin de fournir une protection supplémentaire.

## TRANSPORT

### ⚠ ATTENTION :

Installez le couvercle du guide-chaîne lors du transport pour éviter tout risque de blessures.

L'appareil doit toujours être transporté en position horizontale. Si ce n'est pas possible, transportez l'unité verticalement avec le moteur orienté vers le haut. Sécurisez l'élagueuse sur perche pour éviter tout dommage pendant le transport.



## AFFÛTAGE DE LA CHAÎNE

### **AVERTISSEMENT :**

Débranchez l'élagueuse de l'alimentation électrique avant de la nettoyer. Un contact physique avec la chaîne en mouvement ou un choc électrique peut provoquer des blessures graves ou la mort. Les lames de la chaîne sont très coupantes. Ne manipulez jamais la chaîne sans mettre des gants.

Veillez à ce que votre chaîne reste bien affûtée. Votre scie coupera plus vite et plus efficacement. Une chaîne émoussée causera une usure excessive du pignon, du guide-chaîne, de la chaîne et du moteur. Si vous devez forcer la chaîne dans le bois et que la coupe ne crée que de la sciure de bois avec quelques gros copeaux, cela signifie que la chaîne est émoussée.

Achetez une nouvelle chaîne, faites affûter votre chaîne par un professionnel dans un centre de service qualifié ou aiguisiez-la vous-même à l'aide d'un kit d'affûtage approprié. La profondeur de coupe se définit par la différence de hauteur entre les dents et la rainure.

Lorsque vous affûtez la pointe, le réglage de la jauge de profondeur entre la pointe et la crête de la plaque latérale diminue. Pour maintenir des performances de coupe optimales, la crête doit être limée pour obtenir le réglage de jauge de profondeur recommandé.

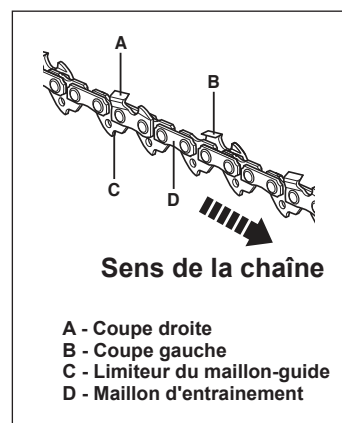
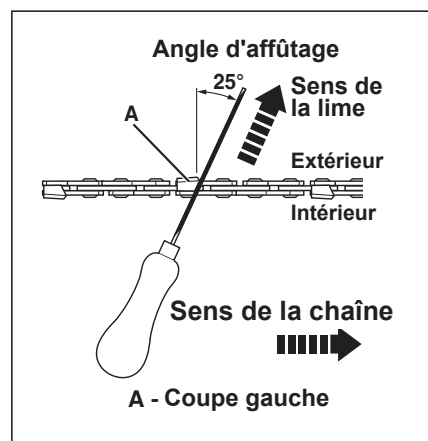
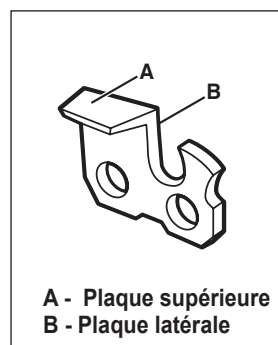
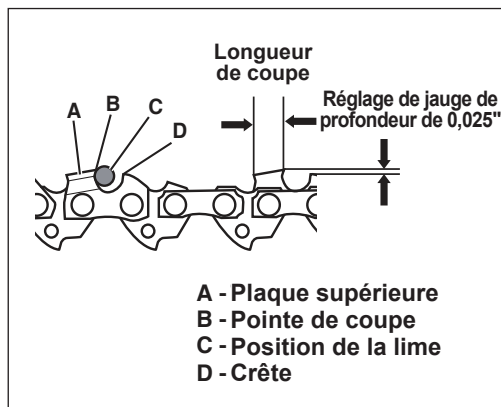
#### Comment aiguiser la chaîne :

1. En utilisant des gants de protection, assurez-vous que la chaîne est correctement tendue sur le guide-chaîne.
2. Utilisez une lime ronde dont le diamètre est égal à 1,1 fois la hauteur des dents de coupe. Assurez-vous que 20% du diamètre de la lime est au-dessus de la plaque supérieure de l'outil.

**REMARQUE :** Afin de vous assurer que la lime est dans la bonne position, le plus simple est de vous procurer un guide d'affûtage, disponible dans la plupart des magasins d'outillage.

3. Limez perpendiculairement au guide-chaîne, selon un angle de 25° par rapport au sens de la marche.
  4. Limez chacune des dents, en frottant toujours de l'intérieur vers l'extérieur. Limez d'abord l'un des côtés de la chaîne, puis retournez l'appareil et répétez l'opération de l'autre côté.
- Limez les dents de manière uniforme, en frottant le même nombre de fois chacune d'entre elles.
  - Gardez toutes les lames de la même longueur. Chaque fois que la pointe de coupe est affûtée, la longueur de coupe est réduite. Lorsque la longueur de la fraise est réduite à 0,16 pouce (4 mm), la chaîne est usée et doit être remplacée.
  - Le réglage de la jauge de profondeur est également réduit à chaque affûtage. Tous les 5 affûtages, utilisez un instrument de mesure de profondeur pour vérifier la hauteur entre la pointe de coupe et la crête. Si nécessaire, utilisez une lime plate pour limer la crête afin d'obtenir le réglage de la jauge de profondeur de 0,025 pouce. Ces instruments de mesure sont disponibles dans la plupart des magasins d'outillage.
  - Si la scie ne fonctionne pas correctement, apportez-la à un centre de service qualifié pour faire inspecter

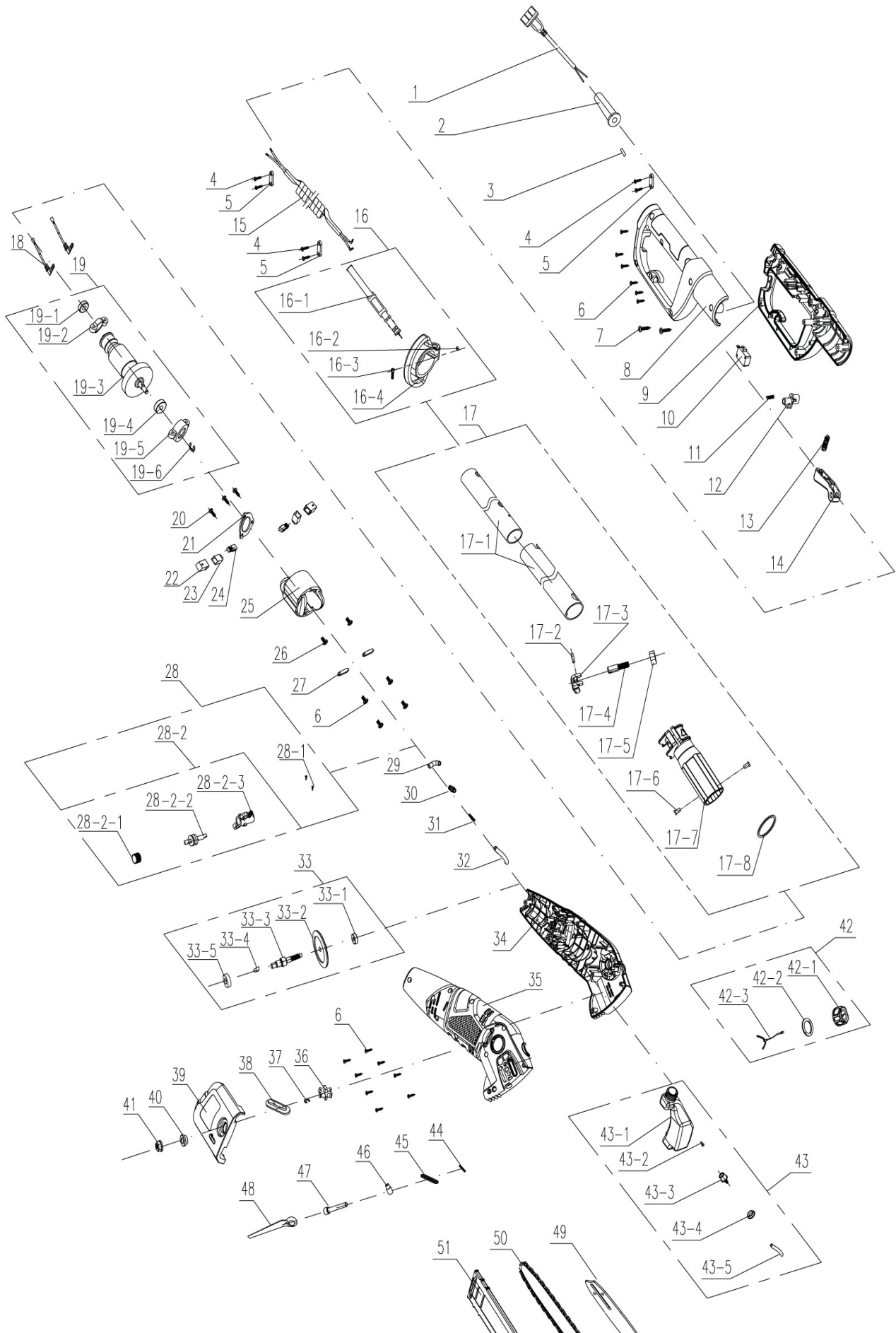
la scie. Les réparations ne doivent être effectuées qu'avec les pièces de rechange identiques listées dans ce manuel d'utilisation.



## GUIDE DE DÉPANNAGE

SYMPTÔME	CAUSE POSSIBLE	ACTIONS RECOMMANDÉES
Le moteur s'arrête pendant la coupe.	La chaîne est pincée	Coupez la branche par le dessous pour soulager la pression sur la branche.
	Surchauffe du système de contrôle	Laissez le moteur refroidir.
	L'interrupteur de sécurité n'est pas pressé	Appuyez sur l'interrupteur de sécurité avant d'appuyer sur l'interrupteur à gâchette.
	Il y a des débris dans le couvercle latéral	Retirez le couvercle du pignon de la chaîne et nettoyez les débris.
	Surchauffe du moteur	Laissez le moteur refroidir.
Le moteur tourne, mais la chaîne de scie ne tourne pas	La chaîne n'engage pas le pignon d'entraînement	Réinstallez la chaîne, en vous assurant que les maillons de la chaîne sont bien en place sur le pignon d'entraînement.
	Le pignon du nez du guide-chaîne ne tourne pas	Remplacez le guide-chaîne.
L'élagueuse sur perche ne coupe pas correctement.	La tension de chaîne est insuffisante.	Tendez la chaîne
	Chaîne émoussée	Affûtez ou remplacez la chaîne de scie.
	La chaîne a été installée à l'envers	Installez la chaîne avec les dents orientées dans la bonne direction.
	Chaîne usée	Remplacez la chaîne
	Chaîne sèche ou excessivement tendue	Vérifiez le niveau d'huile. Remplissez le réservoir d'huile si nécessaire.
	La chaîne n'est pas dans la rainure du guide.	Réinstallez la chaîne dans la rainure.

# PIÈCES



## LISTE DES PIÈCES

N°	Pièce #	Description
1	203002000015	Câble / prise
2	207099900006	Protège-câble
3	301200005	Tube thermorétractable
4	207310100041	Vis auto-taraudeuse
5	207089900001	Serre-câble
6	8SJAB40-14D	Vis auto-taraudeuse
7	207310100073	Vis auto-taraudeuse
8	202024002424	Poignée droite
9	202024002423	Poignée gauche
10	207180800008	Interrupteur de contrôle
11	207019900024	Ressort du bouton anti-blocage
12	202003001777	Bouton de déverrouillage
13	207019900315	Ressort de l'interrupteur
14	202003001776	Interrupteur marche/arrêt
15	207039900469	Connexion à ressort
16	199007000045	Anneau de la bande arrière
16-1	208008000004	Bande arrière
16-2	207320100008	Écrou
16-3	207310100704	Vis
16-4	202040000031	Anneau de bande arrière
17	199060000507	Assemblage du tube
17-1	199060000347	Assemblage du tube
17-2	207199900054	Goupille cylindrique
17-3	202026000219	Bouton d'ajustement
17-4	207229900169	Boulon de réglage à serrage rapide
17-5	207320100050	Contre-écrou
17-6	207199900110	Broche fixe
17-7	202031000164	Fixation de connexion
17-8	207269900014	Grande rondelle fendue
18	207039900040	Fil de connexion pour balais de charbon
19	199133000044	Rotor
19-1	207390100018	Roulement 607
19-2	202032000013	Manchon de roulement
19-3	106001000088	Assemblage du rotor
19-4	207390100069	Roulement 6000
19-5	202032000015	Manchon de roulement
19-6	207340100049	Rondelle fendue
20	207310100148	Vis à tête fraisée
21	201057000095	Roulement de la plaque de pression
22	207129900022	Bague de raccordement
23	207119900044	Balai de charbon
24	202016002615	Enveloppe de balai
25	107001000061	Stator
26	207310100022	Vis auto-taraudeuse

N°	Pièce #	Description
27	299999000054	Plaque de pression
28	199010000040	Assemblage de la pompe à huile
28-1	207310100324	Vis taraudeuse de bride
28-2	199010000147	Assemblage de la pompe à huile
28-2-1	202001000002	Engrenage à vis
28-2-2	201004000103	Dent d'engrenage à vis
28-2-3	202999001599	Boîtier de la pompe
29	202019000177	Joint en caoutchouc
30	202019000171	Connecteur de raccordement du tuyau
31	207019900001	Ressort de fixation du tube
32	302000002	Tube à huile transparent
33	199101000045	Assemblage de l'arbre de sortie
33-1	207390100011	Roulement 606
33-2	201004000091	Grand engrenage
33-3	201999000724	Clavette
33-4	201025000118	Arbre de sortie
33-4	207390100180	Roulement 6900
34	202016003791	Boîtier gauche
35	202016003790	Boîtier droit
36	201035000003	Pignon
37	207340100049	Rondelle fendue
38	207279900043	Bague d'étanchéité du capuchon
39	202011000543	Capuchon frein
40	207289900054	Manchon d'essieu
41	207320100061	Écrou hexagonal à bride
42	199123000363	Bouchon du réservoir d'huile
42-1	202165000571	Bouchon du réservoir d'huile
42-2	207279900031	Bague d'étanchéité du réservoir d'huile
42-3	202014000001	Crochet anti-perte
43	199124000015	Assemblage du réservoir d'huile
43-1	202164000013	Bac à huile
43-2	202074000003	Valve
43-3	199071000126	Assemblage du connecteur de l'arbre
43-4	207279900050	Bague d'étanchéité de sortie d'huile
43-5	302000000	Tube à huile transparent
44	207019900002	Ressort de fixation du tube
45	207279900050	Bague d'étanchéité de sortie d'huile
46	207169900011	Resserrez l'écrou
47	207229900133	Resserrez les vis.
48	207179900012	Clé
49	202009000201	Set de coupe
50	205001000003	Chaîne
51	205001000090	Plateau de chaîne

## GARANTIE LIMITÉE À TROIS ANS

Garantie limitée de 2 ans sur toutes les batteries Senix CS.

Ce produit Senix est garanti DURANT TROIS ANS à compter de la date d'achat d'origine, contre les défauts de matériaux ou de fabrication sur les outils. Le produit défectueux sera réparé gratuitement. \*

Cette garantie ne couvre pas l'usure normale des pièces et des composants tels que la chaîne de coupe, la ligne ou les lames, et cette garantie ne couvre pas les frais de transport du produit pour la garantie ou l'entretien.

La garantie est sujette aux deux conditions suivantes:

- La garantie s'applique à l'acheteur original au détail et n'est pas transférable \*
- Enregistrement de la garantie sur [www.senixtools.com](http://www.senixtools.com)
- L'outil n'a pas été utilisé incorrectement, abusé, négligé, altéré, modifié ou réparé par quiconque autre qu'un centre d'entretien autorisé.
- Seuls les accessoires Senix authentiques ont été utilisés avec ou sur ce produit.
- L'outil a été soumis à une usure normale
- L'outil n'a pas été utilisé à des fins commerciales ou professionnelles
- L'outil n'a pas été utilisé à des fins locatives
- Cette garantie ne couvre que les défauts résultant d'une utilisation normale et ne couvre pas les dysfonctionnements, défaillances ou défauts résultant d'une utilisation incorrecte, d'un abus (surcharge du produit, exposition à l'eau ou à la pluie), d'une négligence ou d'un défaut d'installation, d'entretien ou de stockage.

Pour localiser votre fournisseur de services Senix le plus proche, appelez gratuitement le 800-261-3981 ou envoyez-nous un e-mail sur [service@senixtools.com](mailto:service@senixtools.com).

## Limitations supplémentaires

Toute garantie implicite accordée en vertu de la loi de l'État, y compris les garanties de qualité marchande ou d'adéquation à un usage particulier, est limitée à trois ans à compter de la date d'achat des outils électriques et des chargeurs. Le fabricant n'est pas responsable des dommages directs, indirects, accessoires ou consécutifs. Certains états et provinces n'autorisent pas les limitations sur la durée d'une garantie implicite et / ou n'autorisent pas l'exclusion ou la limitation des dommages accessoires, et dans ce cas, les restrictions décrites précédemment ne s'appliquent pas. Cette garantie vous donne des droits légaux spécifiques, et vous pouvez également avoir d'autres droits qui varient d'un état à l'autre ou d'une province à l'autre.

YAT USA décline toute responsabilité en matière de responsabilité civile résultant d'une utilisation abusive ou non conforme à une utilisation et une maintenance correctes de la machine telles que décrites dans le manuel d'instructions.

YAT USA n'est pas responsable des dommages directs, indirects, accessoires ou consécutifs.

Après l'achat, le fabricant recommande un entretien approprié de la machine et de lire le manuel d'instructions avant d'utiliser la machine.

\* Un reçu d'achat original peut être exigé comme preuve d'achat.

Pour le service à la clientèle, contactez-nous gratuitement au 1-800-261-3981 ou [Senixtools.com](http://Senixtools.com).

YAT USA, Inc. 9048 E Bahia Dr, suite 105, Scottsdale, AZ 85260





