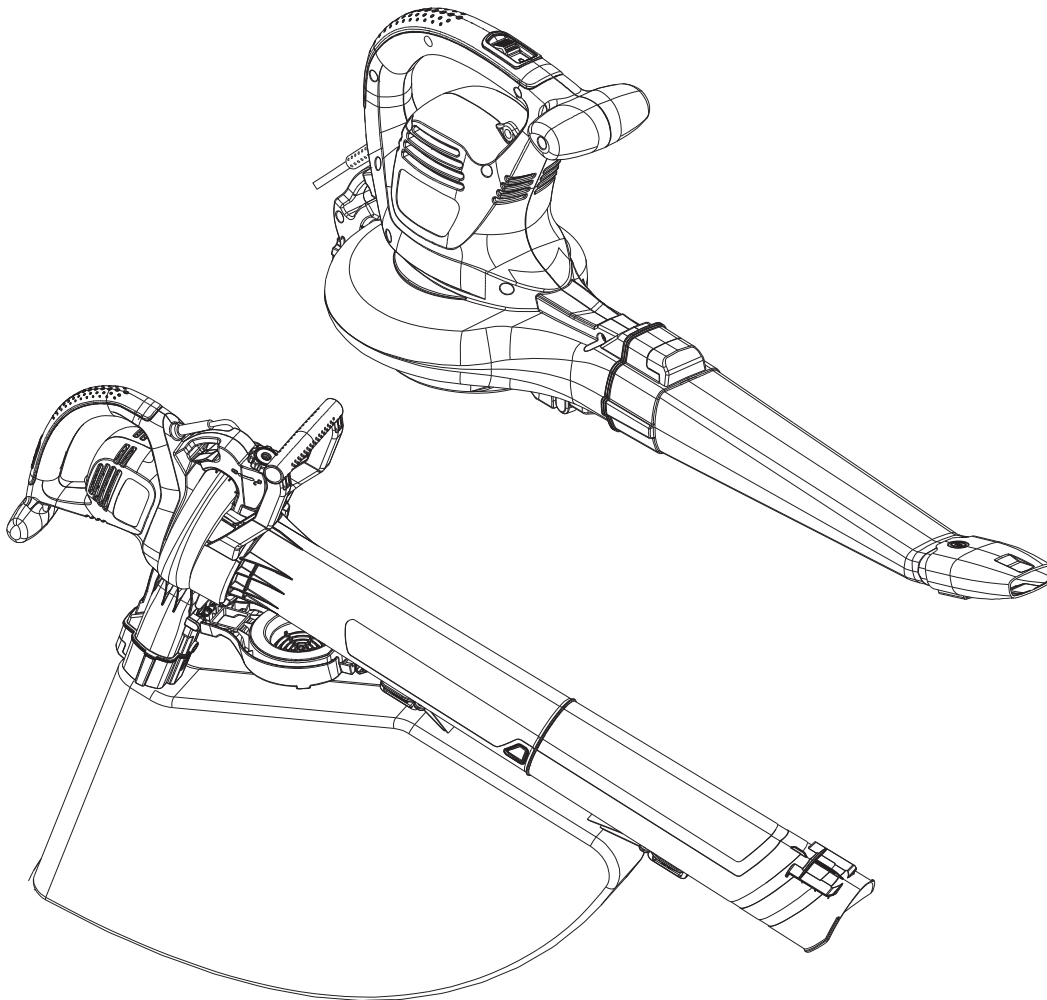




12 Amp Motor Electric Blower Vacuum

Operator's manual
Model : BLVE12-M



For customer support, please call 1-800-261-3981 or send email to:

Service@senixtools.com








SAVE THIS MANUAL FOR FUTURE REFERENCE.






8458-A072012001-001

TABLE OF CONTENTS

SAFETY SYMBOLS.....2
 TECHNICAL DATA.....2
 SAFETY.....3
 COMPONENT LOCATION.....6
 ASSEMBLY.....7
 OPERATION.....10
 MAINTENANCE.....12
 PARTS.....13
 TROUBLESHOOTING.....15
 WARRANTY.....16

SAFETY SYMBOLS

-  To reduce the risk of injury, user must read instruction manual.
-  Wear ear protection.
-  Wear eye protection.
-  Wear dust mask.
-  Wear hand protection.
-  Wear non-slip safety footwear.
-  Avoid power lines, use in dry conditions.

-  Do not expose to rain.
-  Thrown objects can ricochet and result in personal injury or property damage.
-  Keep all bystanders at least 50 ft. away.
-  Indicates danger, warning or caution. Precautions that involve your safety.
-  Disconnect from the mains plug if the cord is damaged or entangled. **DO NOT TOUCH THE CORD BEFORE DISCONNECTING THE SUPPLY.**

SPECIFICATIONS*

Model	BLVE12-M
Rated Voltage	120V ~60Hz
Rated Current	12A
Motor Type	Universal Motor
No Load Speed	14000 /min
Max Air Speed	179 MPH
Max Air Volume	420 CFM
Mulch Ratio	14:1
Bag Capacity	1.24 Bushel
Weight	9.0lbs(4.1kg)

GENERAL SAFETY RULES



WARNING:

Read all safety warnings and all instructions. Failure to follow the warnings and instructions may result in electric shock, fire and/or serious injury.

Save all warnings and instructions for future reference.

The term "power tool" in the warnings refers to your mains-operated (corded) power tool or battery-operated (cordless) power tool.

1. Work area safety

- a) Keep work area clean and well lit. Cluttered or dark areas invite accidents.
- b) Do not operate power tools in explosive atmospheres, such as in the presence of flammable liquids, gases or dust. Power tools create sparks which may ignite the dust or fumes.
- c) Keep children and bystanders away while operating a power tool. Distractions can cause you to lose control.

2. Electrical safety

- a) Power tool plugs must match the outlet. Never modify the plug in any way. Do not use any adapter plugs with earthed (grounded) power tools. Unmodified plugs and matching outlets will reduce risk of electric shock.
- b) Avoid body contact with earthed or grounded surfaces, such as pipes, radiators, ranges and refrigerators. There is an increased risk of electric shock if your body is earthed or grounded.
- c) Do not expose power tools to rain or wet conditions. Water entering a power tool will increase the risk of electric shock.
- d) Do not abuse the cord. Never use the cord for carrying, pulling or unplugging the power tool. Keep cord away from heat, oil, sharp edges or moving parts. Damaged or entangled cords increase the risk of electric shock.
- e) When operating a power tool outdoors, use an extension cord suitable for outdoor use. Use of a cord suitable for outdoor use reduces the risk of electric shock.
- f) If operating a power tool in a damp location is unavoidable, use a residual current device (RCD) protected supply. Use of an RCD reduces the risk of electric shock.

3. Personal safety

- a) Stay alert, watch what you are doing and use common sense when operating a power tool. Do not use a power tool while you are tired or under the influence of drugs, alcohol or medication. A moment of inattention while operating power tools may result in serious personal injury.
- b) Use personal protective equipment. Always wear eye protection. Protective equipment such as dust mask, non-skid safety shoes, hard hat, or hearing protection used for appropriate conditions will reduce personal injuries.

- c) Prevent unintentional starting. Ensure the switch is in the off-position before connecting to power source and/or battery pack, picking up or carrying the tool. Carrying power tools with your finger on the switch or energising power tools that have the switch on invites accidents.
- d) Remove any adjusting key or wrench before turning the power tool on. A wrench or a key left attached to a rotating part of the power tool may result in personal injury.
- e) Do not overreach. Keep proper footing and balance at all times. This enables better control of the power tool in unexpected situations.
- f) Dress properly. Do not wear loose clothing or jewellery. Keep your hair, clothing and gloves away from moving parts. Loose clothes, jewellery or long hair can be caught in moving parts.
- g) If devices are provided for the connection of dust extraction and collection facilities, ensure these are connected and properly used. Use of dust collection can reduce dust-related hazards.

4. Power tool use and care

- a) Do not force the power tool. Use the correct power tool for your application. The correct power tool will do the job better and safer at the rate for which it was designed.
- b) Do not use the power tool if the switch does not turn it on and off. Any power tool that cannot be controlled with the switch is dangerous and must be repaired.
- c) Disconnect the plug from the power source and/or the battery pack from the power tool before making any adjustments, changing accessories, or storing power tools. Such preventive safety measures reduce the risk of starting the power tool accidentally.
- d) Store idle power tools out of the reach of children and do not allow persons unfamiliar with the power tool or these instructions to operate the power tool. Power tools are dangerous in the hands of untrained users.
- e) Maintain power tools. Check for misalignment or binding of moving parts, breakage of parts and any other condition that may affect the power tool's operation. If damaged, have the power tool repaired before use. Many accidents are caused by poorly maintained power tools.
- f) Keep cutting tools sharp and clean. Properly maintained cutting tools with sharp cutting edges are less likely to bind and are easier to control.
- g) Use the power tool, accessories and tool bits etc. in accordance with these instructions, taking into account the working conditions and the work to be performed. Use of the power tool for operations different from those intended could result in a hazardous situation.

5. Service

- a) Have your power tool serviced by a qualified repair person using only identical replacement parts. This will ensure that the safety of the power tool is maintained

SPECIFIC SAFETY RULES

- Do not touch the rotating parts inside the machine!
The rotating parts can result in serious personal injury.
- This appliance is not intended for use by children and persons with physical, sensory or mental limitations or a lack of experience or knowledge.
- Keep children, bystanders and pets away while operating a power tool. Distractions can cause you to lose control. They could also be injured by flying dusts or debris.
- Do not operate the machine near open windows, etc.
- Do not overreach and to keep the balance at all times. Always be sure of the footing on slopes. Walk when operating the power tool, never run.
- Do not touch moving hazardous parts before the battery pack is removed and the moving hazardous parts have come to a complete stop.
- Always wear eye and ear protection. This kind of machine is extremely noisy and can blow dusts and debris up in the air. Wear protective mask if necessary. Dress properly, do not wear loose clothing or jewelry that could become caught in moving parts of the unit. Safe, sturdy, nonskid footwear should always be worn. Long hair should be tied back.
- To reduce the risk of disconnection of the appliance cord from the extension cord during operating, secure the extension cord to the appliance plug as described in the Operating Manual.
- Do not use the machine in bad weather conditions especially when there is a risk of lightning.
- Inspect the area to be blown and remove any foreign objects.
- Do not put the motor near to debris or down to the ground before the motor stop running completely. The debris or small particles can be sucked into the machine through the air inlet grids and thrown out from the air tube!
- This tool has been designed for blowing/collecting as well as vacuuming/shredding dry leaves and other dry garden rubbish, such as grass and twigs.
- When operating the unit as a blower, never point the blower nozzle in the direction of people or pets or in the direction of windows. Use extra caution when blowing debris near solid objects, such as trees, automobiles and walls.
- Be sure to secure the unit when transporting it.
- Never douse or squirt the unit with water or any other liquid.
- Clean the unit after each use as described in the cleaning and storage section.

VIBRATION AND NOISE REDUCTION

To reduce the impact of noise and vibration emission, limit the time of operation, use low-vibration and low-noise operating modes as well as wear personal protective equipment.

Take the following points into account to minimize the vibration and noise exposure risks:

1. Only use the product as intended by its design and these instructions.
2. Ensure that the product is in good condition and well maintained.

3. Use correct attachments for the product and ensure they are in good condition.
4. Keep tight grip on the handles/gripping surface.
5. Maintain this product in accordance with these instructions and keep it well lubricated (where appropriate).
6. Plan your work schedule to spread any high vibration tool use across a longer period of time.
7. Prolonged use of the product exposes the user to vibrations that can cause a range of conditions collectively known as hand-arm vibration syndrome (HAVS) e.g. fingers going white; as well as specific diseases such as carpal tunnel syndrome.

- To reduce this risk when using the product, always wear protective gloves and keep your hands warm.

The symptoms of HAVS include any combination of the following: Tingling and numbness in the fingers; Not being able to feel things properly; Loss of strength in the hands; Fingers going white (blanching) and becoming red and painful on recovery (particularly in the cold and wet, and probably only in the tips at first). Seek medical advice immediately if such symptoms are experienced.

EMERGENCY

Familiarize yourself with the use of this product by means of this instruction manual. Memorize the safety directions and follow them to the letter. This will help to prevent risks and hazards.

1. Always be alert when using this product, so that you can recognize and handle risks early. Fast intervention can prevent serious injury and damage to property.
2. Switch off the product and disconnect the power supply if there are malfunctions. Have the product checked by a qualified professional and repaired, if necessary, before you operate it again.

RESIDUAL RISKS

Even if you are operating this product in accordance with all the safety requirements, potential risks of injury and damage remain. The following dangers can arise in connection with the structure and design of this product:

3. Health defects resulting from vibration emission if the product is being used over long periods of time or not adequately managed and properly maintained.
4. Injuries and damage to property due to broken parts or the sudden impact of hidden objects during use.
5. Prolonged use of this product expose the operator to vibrations and may produce 'whitefinger' disease. In order to reduce the risk, please wear gloves and keep your hands warm. If any of the 'whitefinger' symptoms appear, seek medical advice immediately. 'Whitefinger' symptoms include: numbness, loss of feeling, tingling, pricking, pain, loss of strength, changes in skin colour or condition. These symptoms normally appear in the fingers, hands or wrists. The risk increases at low temperatures.

! WARNING:

This product produces an electromagnetic field during operation! This field may under some circumstances interfere with active or passive medical implants! To reduce the risk of serious or fatal injury, we recommend persons with medical implants to consult their doctor and the medical implant manufacturer before operating this product!

ELECTRICAL SAFETY

! WARNING:

Do not permit fingers to touch the terminals of plug when installing or removing the extension cord from the plug.

1. Double insulated tools are equipped with a polarized plug (one blade is wider than the other and will require the use of a polarized extension cord. The Pole Saw's plug will fit into a polarized extension cord only one way. If the plug does not fit fully into the extension cord, reverse the plug. If the plug still does not fit, obtain a correct polarized extension cord. A polarized extension cord will require the use of a polarized wall outlet. This plug will fit into the polarized wall outlet only one way. If the plug does not fit fully into the wall outlet, reverse the plug. If the plug still does not fit, contact a qualified electrician to install the proper outlet. Do not change or alter the equipment plug, extension cord receptacle, or extension cord plug in any way.
2. Double insulation eliminates the need for the three-wire grounded power cord and grounded power supply system. Applicable only to Class II (double-insulated) tools.

EXTENSION CORDS

Use a proper extension cord. ONLY use cords listed by underwriters Laboratories (UL). Other extension cords can cause a drop in line voltage, resulting in a loss of power and overheating of tool. For this tool an AWG (American Wire Gauge) size of a least 14-gauge is recommended for an extension cord of 25-ft. or less in length. Use 12-gauge for an extension cord of 50-ft. Extension cords 100-ft. or longer are not recommended. Remember, a smaller wire gauge size has greater capacity than a larger number (14-gauge wire has more capacity than 16-gauge wire; 12-gauge wire has more capacity than 14-gauge). When in doubt use the smaller number.

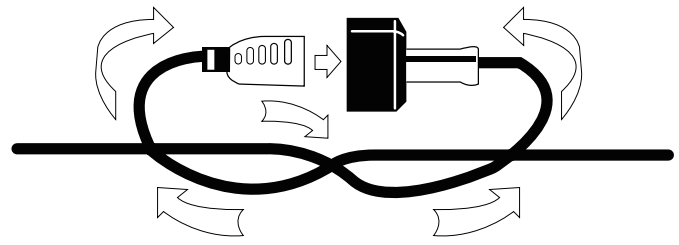
Minimum gauge for extension cords

Volts	Total length of cord in feet			
120 V	25	50	100	150

Ampere Rating

More than/Not more than	AWG			
0-6	18	16	16	14
6-10	18	16	14	12
10-12	16	16	14	12
12-16	14	12	Not recommended	

Securing extension cord



! CAUTION:

Keep the extension cord clear of the work area. Position the cord so that it will not get caught on bushes, hedges, tree trunks, lawnmowers or other obstructions while you are working with the pole saw.

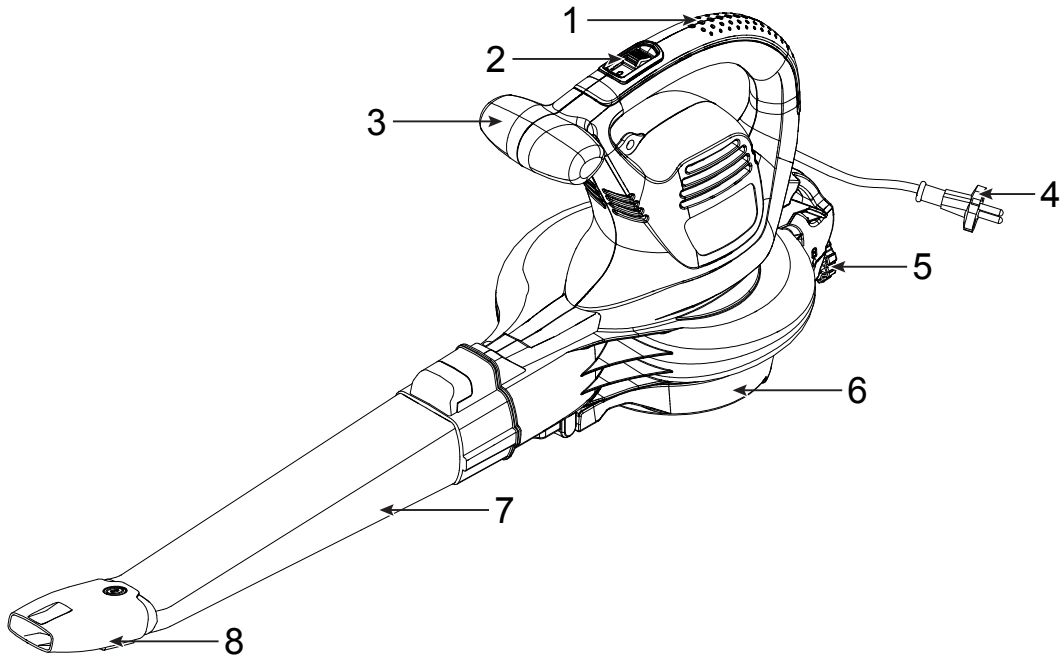
! WARNING:

Check extension cords before each use. If damaged replace immediately. Never use tool with a damaged cord since touching the damaged area could cause electrical shock, resulting in serious injury.

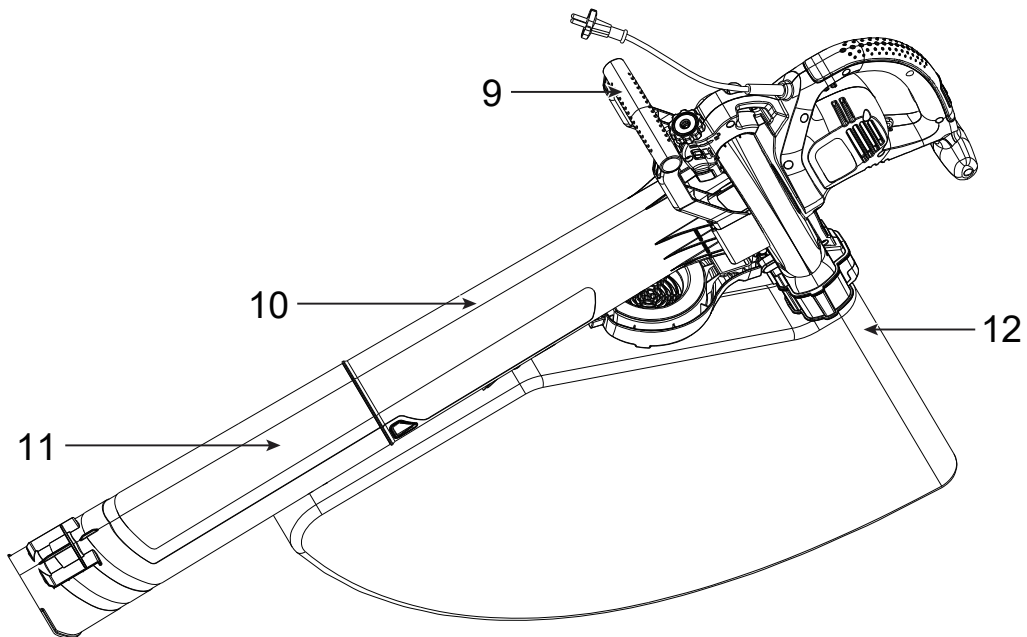
SAVE THESE INSTRUCTIONS

COMPONENT LOCATION

KNOW YOUR Blower/Vacuum/Mulcher



1	Handle	5	Lock knob
2	ON/OFF switch	6	Vacuum inlet cover
3	Auxiliary handle	7	Blower tube
4	Plug	8	Blower concentrator nozzle



9	Auxiliary handle	11	Rear vacuum/mulcher tube
10	Front vacuum/mulcher tube	12	Collective bag

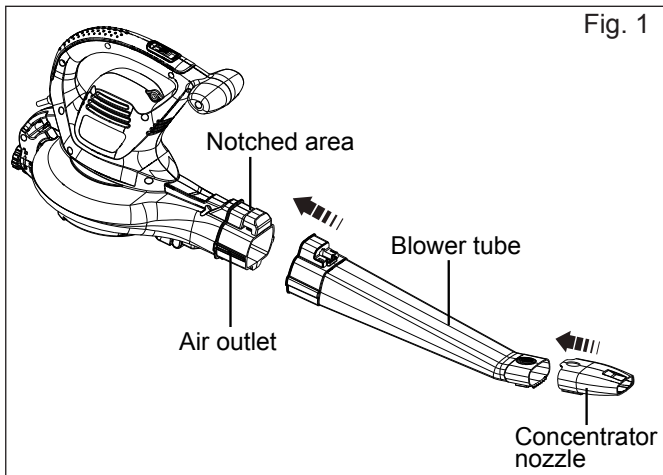
ASSEMBLY

WARNING:

Read the ENTIRE IMPORTANT SAFETY INFORMATION section at the beginning of this manual including all text under subheading therein before set up or use of this product.

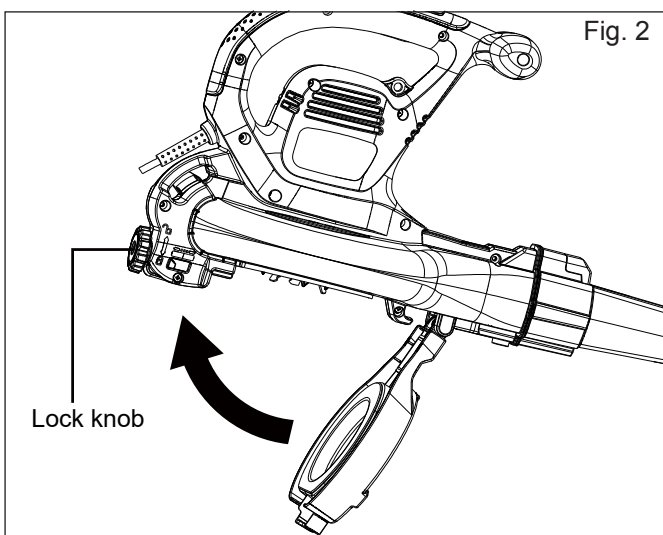
ASSEMBLE AS A BLOWER

1. Slide the blower tube forward until the notched area on the blower housing clicks into the slot on the blower tube.
2. Insert the concentrator nozzle onto the end of the blower tube until it locks into position (Fig. 1).

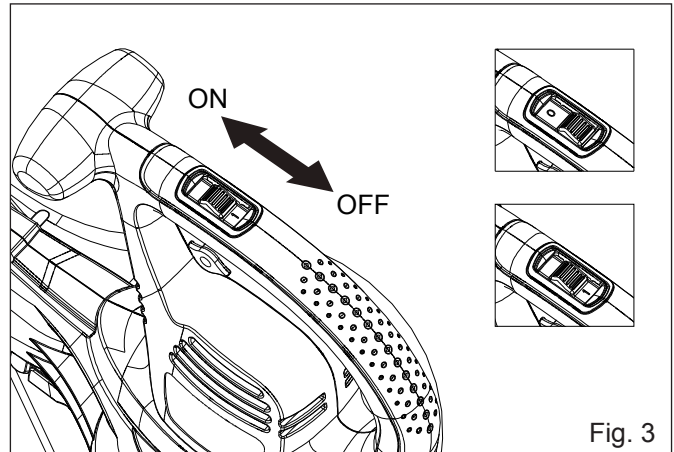


NOTE: The concentrator nozzle is used to increase air flow in tight areas (i.e around flower beds, under decks, etc.).

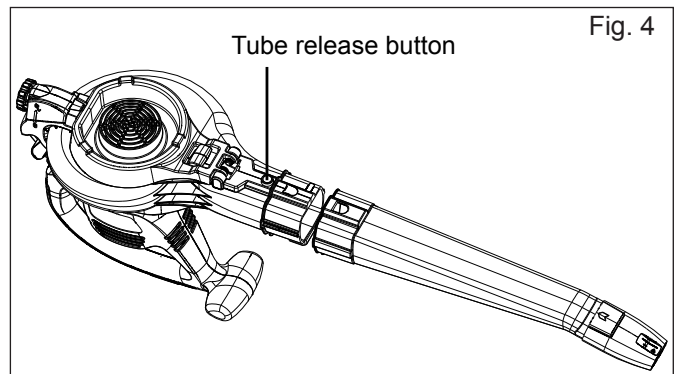
3. Before using the blower function, rotate the lock knob to lock the cover in place (The indicator will be on the far right position, Fig. 2).



4. To remove the blower tube, turn the ON/OFF power switch to the OFF (O) position and disconnect the tool from the power supply (Fig. 3).

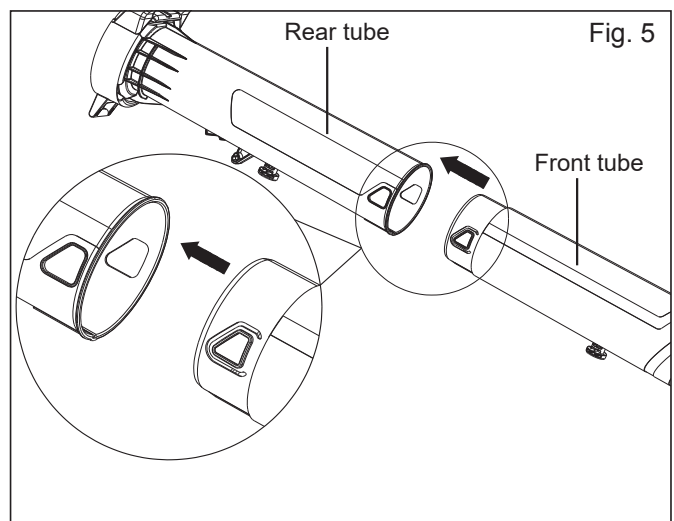


5. Press the tube release button and remove the blower tube (Fig. 4).

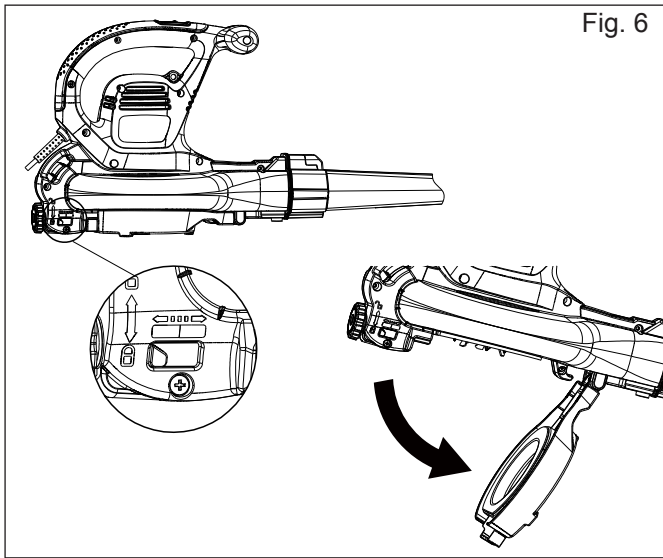


ASSEMBLE AS A VACUUM/MULCHER

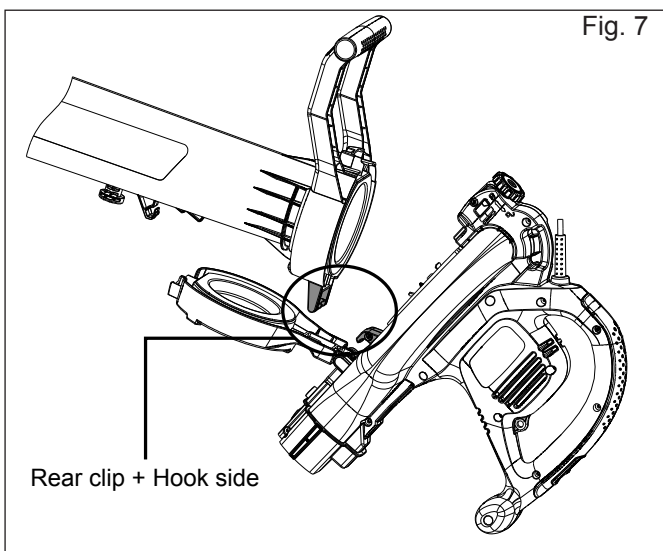
1. Slide the front and rear vacuum/mulcher tubes together until the lock button engages (Fig. 5).



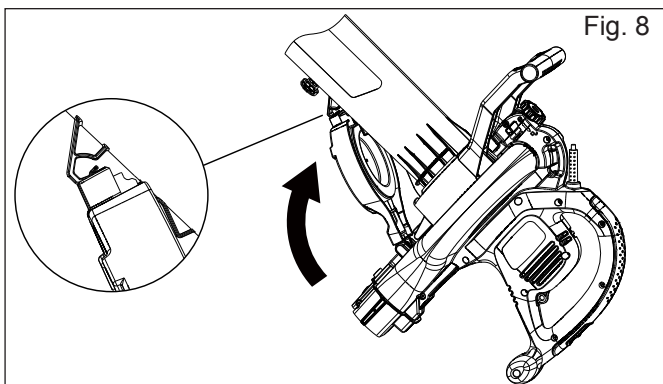
2. Rotate the lock knob to unlock the cover (The indicator is on the far left position, Fig. 6).



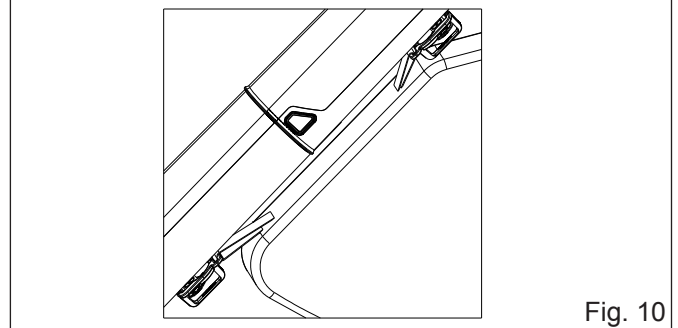
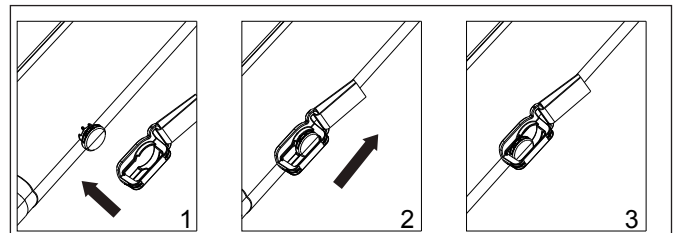
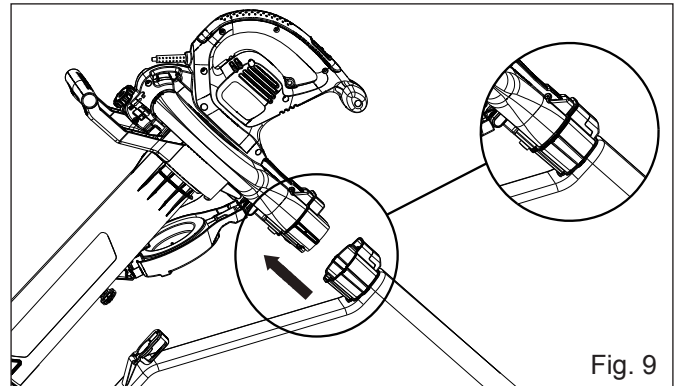
3. With the blower tube removed, insert the "hooked" Side end of the mulcher tube into the rear clip on the unit. Rotate the lock knob to close the front tube (The indicator is on the far right position, Fig. 7).



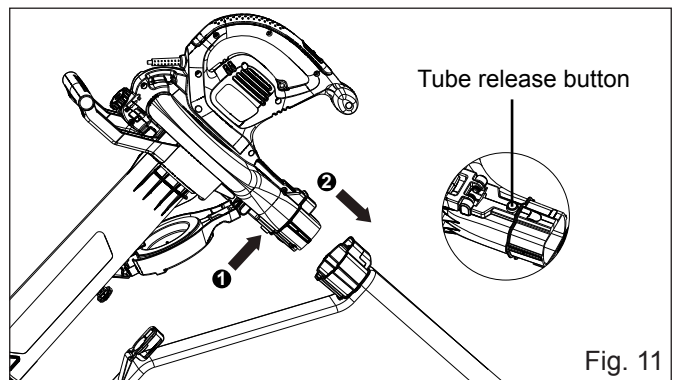
4. Make the inter cover hook the hook of the rear tube (Fig. 8).



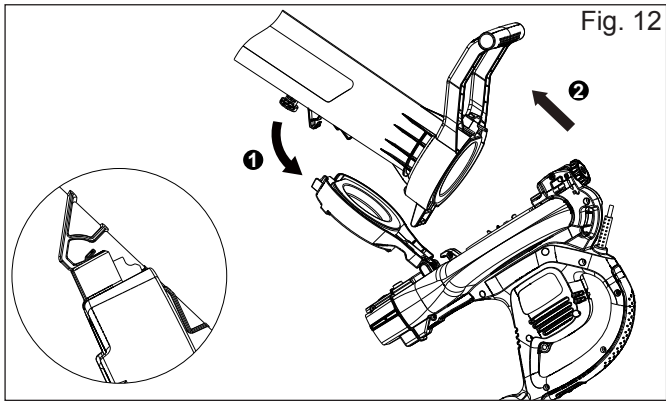
5. Insert the collection bag adaptor into the blower air outlet until the collection bag is securely fastened (Fig. 9), then make the bag hook the strap holder on the two sides of the tube (Fig. 10).



1. To remove the collective bag, release the bag from the strap holder on the two sides of the tube, and simply press the tube release button to remove the bag (Fig. 11).

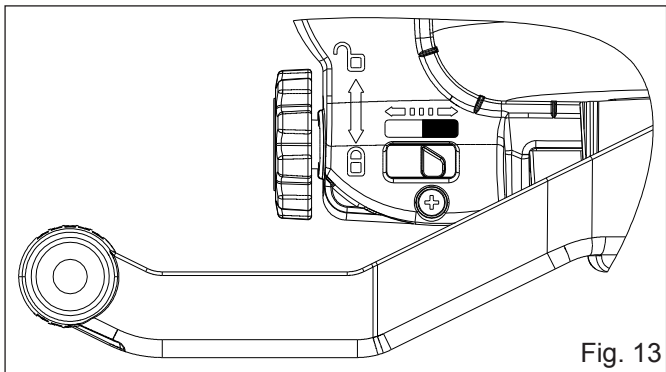


2. To remove the vacuum/mulcher tube assembly, release the inter cover from the hook of the tube, rotate the lock knob to unlock, then remove the tube assembly from its housing (Fig. 12).



NOTE: It may be necessary to remove the blower tube or vacuum/mulcher tubes to clear a blocked tube or impeller.

8. Make sure to disconnect the unit from the power supply before attempting to clear any obstructions. The indicator of the lock knob must be entered into black area first, then the machine can be running(Fig. 13).



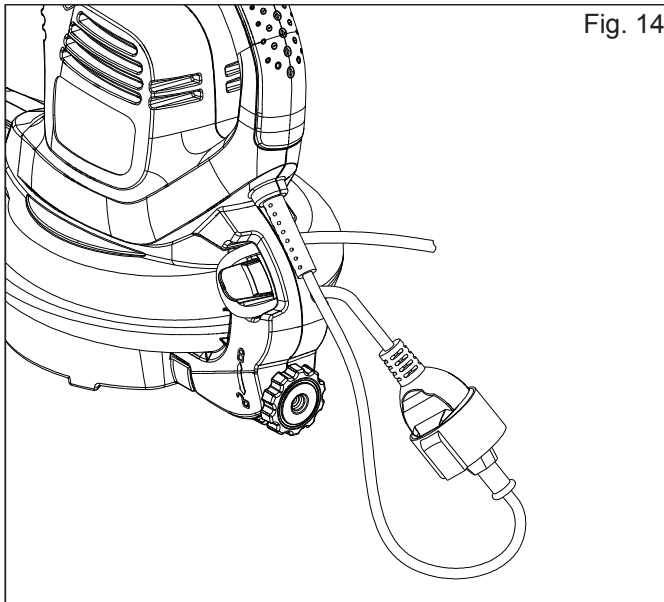
OPERATION

WARNING:

Read the ENTIRE IMPORTANT SAFETY INFORMATION section at the beginning of this manual including all text under subheading therein before set up or use of this product.

CONNECTING TO A PWER SOURCE

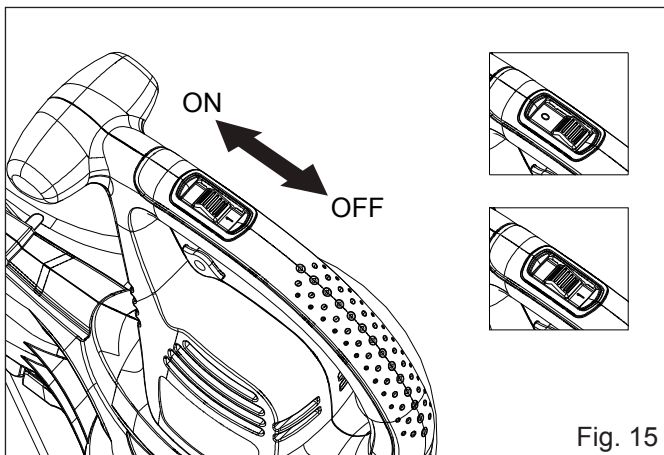
1. Secure the extension cord to the motor housing using the cord retainer located at the rear of the blower. Securing the extension cord in this manner prevents accidental removal of the electrical cord during operation (Fig. 14).



2. Plug the female end of the electrical cord into the receptacle at the back of the unit.

STARTING AND STOPPING

1. To start the electric blower/vacuum/mulcher, slide the ON/OFF switch to position (1), This unit is equipped with one speed settings (1) (Fig. 15).
2. To stop the unit, slide the ON/OFF switch to position (0) (Fig. 15).



OPERATING TIPS

WARNING:

Use the blower/vacuum/mulcher only in daylight or good artificial light.

- When using the blower vac, plant your feet firmly on the ground and place one hand on the unit handle and the other hand on the auxiliary handle.
- Wear personal protective equipment during your work session. This includes boots, safety glasses/goggles, ear defenders, long pants and a long-sleeve shirt.
- When using the unit as mulcher, make sure the bag is properly installed and zipped closed.
- Make sure the blower tube nozzle is not directed at anybody or any loose debris before starting the unit.
- Verify that the unit is in good working condition. Make sure the tubes and guards are in place and secure.
- Ensure that the vacuum/mulch inlet cover is completely closed and locked.
- Keep a firm grip on both the front and rear handle or grips.
- To reduce the risk of hearing loss associated with soundlevel(s), hearing protection is required.
- Use the shoulder strap when using the unit as a mulcher.
- Operate power equipment only at reasonable hours—not early in the morning or late at night when people might be disturbed. Comply with times listed in local ordinances. Usual recommendations are 9:00 am to 5:00 pm, Monday through Saturday.
- To reduce noise levels, limit the number of pieces of power equipment used at any one time and operate power blowers at the lowest possible speed setting necessary to do the job.
- Use rakes and brooms to loosen debris before blowing.
- In dusty conditions, slightly dampen surfaces.
- Conserve water by using power blowers instead of hoses for many lawn and garden applications, including areas such as gutters, screens, patios, grills, porches and gardens.
- Blow debris into a safe, open area away from children, pets, open windows or freshly washed cars.
- Clean up after using leaf blowers and other lawn equipment. Dispose of debris appropriately.

WARNING:

To avoid serious personal injury, wear ear defenders, goggles or safety glasses at all times when operating this unit. Wear a face mask or dust mask in dusty locations.

WARNING:

To prevent serious personal injury or damage to the unit, make sure the blower tube or the mulcher tubes and the bag are in place before operating the unit.

AIR VENTS

Never cover air vents. Keep them free from obstructions and debris. They must always remain clear for proper motor cooling.

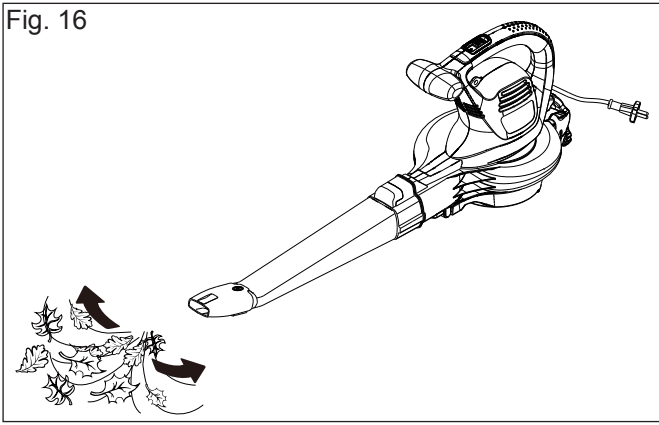
WARNING:

To avoid serious personal injury, do not wear loose fitting clothing or articles such as scarves, strings, chains, ties, etc., that could get drawn into the air vents. To make sure long hair does not get drawn into the air vents, tie back long hair.

BLOWER MODE

Hold the blower firmly with one hand on the main handle and the other hand on the auxiliary handle. Sweep from side to side with the nozzle several inches above the ground or floor (Fig. 16).

Fig. 16

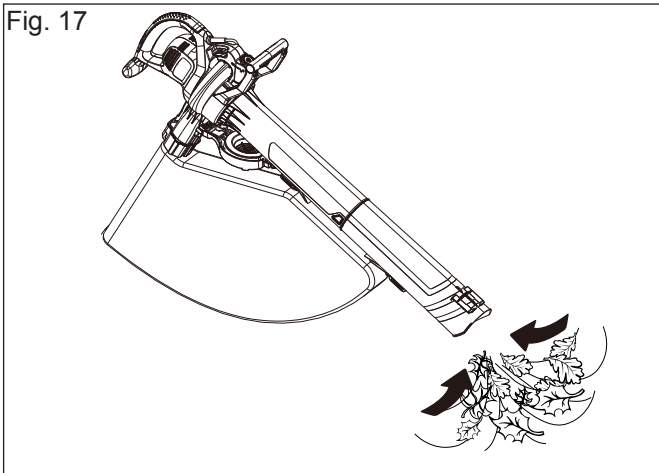


Slowly advance the unit, keeping the accumulated pile of debris in front of you. Most dry blowing operations are better suited to low speeds rather than high speeds. High speed blowing is best for moving heavier items like large debris or gravel.

VACUUM/MUCHER MODE

- Once you have blown the debris/leaves into a pile, you can convert to vacuum mode to collect the debris.
- With a firm hold on the vac, and use a sweeping action to collect light debris. The debris will flow into the bag. Items such as small leaves and twigs will be mulched as they pass through the fan housing. For longer bag life and increased performance, empty the bag frequently (Fig. 17).

Fig. 17



- As the bag fills, suction power will decrease. When this happens, turn the power switch to the OFF (0) position and unplug the unit from the power supply. Remove the bag and empty the debris.
- To remove the bag, press the tube release button (Fig. 11). To empty, hold the plastic handle and grab the nylon handle on the underside of the bag. Turn the bag upside down and shake out any debris and leaves.

WARNING:

Never remove the collection bag without first turning the power switch to the OFF (0) position and unplugging the unit from the main power source.

WARNING:

Do not use in vacuum/mulcher mode without the vacuum tubes and collection bag in place.

CLEARING A BLOCKED TUBE/IMPELLER

WARNING:

To avoid serious personal injury, be sure the unit is OFF and unplugged before clearing the impeller.

WARNING:

To avoid serious personal injury, always wear gloves to protect yourself from the impeller blades or other sharp objects.

During the vacuuming process, certain objects such as cloth, rope or large diameter sticks may obstruct the fan and block the motor. A thermal protection device, which is built into the blower vac, will cut off the electricity to the motor to prevent damage from overheating. In the event an obstruction occurs and power is curtailed:

1. Slide the ON/OFF switch down to the OFF (0) position until the unit comes to a complete stop.
2. Unplug the unit.
3. Remove the blower tube or vacuum/mulcher tubes and the bag.
4. Using protective gloves, carefully remove the material blocking the tube or impeller. Inspect the blades to ensure no damage has occurred. Rotate the impeller blades by hand to ensure the blockage is completely cleared.
5. Reinstall the blower tube or vacuum/mulcher tubes and the bag.
6. Wait 3 minutes for the motor to cool.
7. Plug the unit back into the power supply and turn the ON/OFF switch to ON (1). The blower vac will resume normal function.

MAINTENANCE



WARNING:

Read the ENTIRE IMPORTANT SAFETY INFORMATION section at the beginning of this manual including all text under subheading therein before maintenance this product.

Normal maintenance, replacement or repair of emission control devices and systems may be performed by any qualified repair establishment or individual with original or equivalent parts. Warranty and recall repairs must be performed by an authorized service center; please contact customer service for assistance.

NOTE: Devices for retaining extension cords are commercially available should you wish to purchase one.



WARNING:

Disconnect the extension cord before performing any maintenance task.

If the extension cord is plugged into the appliance, someone could accidentally turn on the unit while you are performing maintenance on it, which could result in serious personal injury.

CLEANING



WARNING:

To avoid serious personal injury, always turn the unit off and unplug it before cleaning or servicing.

Use a small brush to clean the outside of the unit. Do not use strong detergents, household cleaners that contain aromatic oils (e.g. pine and lemon) or harsh solvents such as kerosene as these substances can damage the plastic housing or the handles. Wipe off any moisture with a soft, dry cloth.

1. Empty the bag after each use to avoid deterioration and obstructing air flow, which will reduce the performance of the mulcher.
2. Wear eye protection and a dust mask. Clean the bag as needed. Turn the bag inside out after initial emptying and vigorously shake out dust and debris.
3. Wash the bag once a year, or more often if needed. Follow the steps below:
 - i. Remove the bag.
 - ii. Turn the bag inside out.
 - iii. Hang it up.
 - iv. Hose it down thoroughly.
 - v. Leave it hanging to dry.
 - vi. Turn the bag right-side up and reinstall.

STORAGE

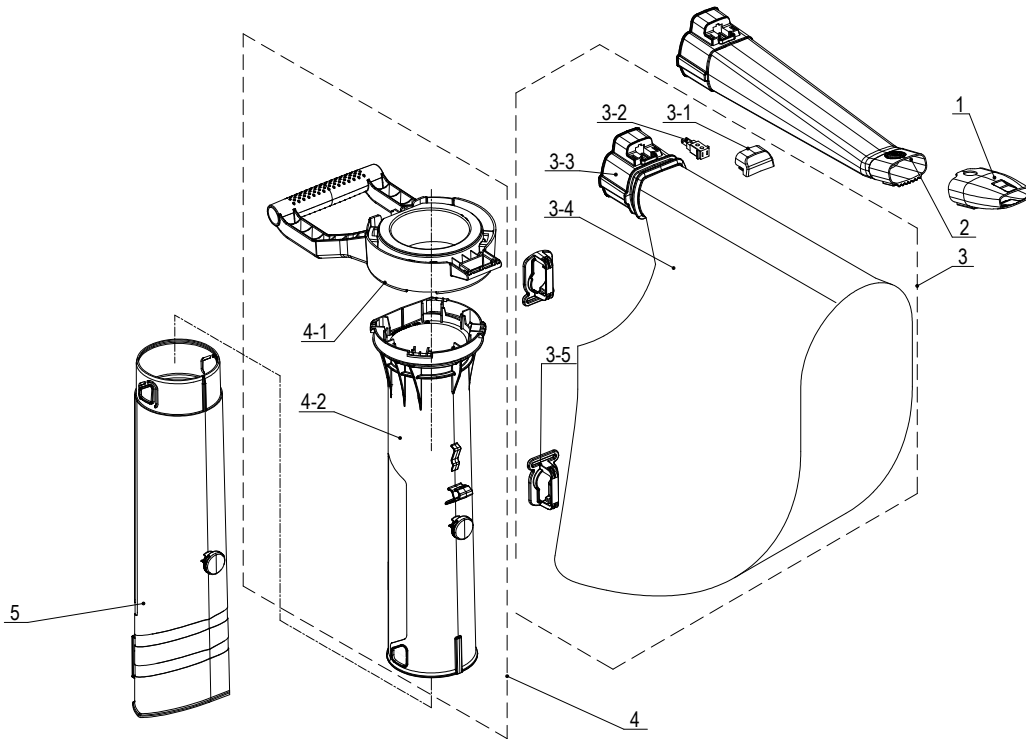
Examine the extension cord thoroughly for signs of excess wear or damage. If it is worn or damaged, replace it immediately.

Disconnect the extension cord from the electric blower/vacuum/mulcher before storing.

Store the cord with the electric blower/vacuum/mulcher indoors in a clean, dry and locked location out of the reach of children and animals.

PARTS

EXPLODED VIEW



PARTS

No.	Part #	Description	Qty.
1	202041000012	Flat Nose	1
2	202054000039	Blowpipe	1
3	199068000012	Dust Bag Assembly	1
3-1	202030001729	Shroud	1
3-2	202999001785	U type male terminal block	1
3-3	202154000009	Bend Tube	1
3-4	299010000031	Dust Bag	1
4	199049000033	Duct Components	1
4-1	202024002548	Handle	1
4-2	202155000033	Blowpipe	1
5	202155000034	Blowpipe	1

For replacement parts, email: parts@SENIXtools.com.

TROUBLESHOOTING



WARNING:

Always unplug the power cord before performing any adjustments, maintenance or repairs to your electric blower vac.

SYMPTOM	POSSIBLE CAUSE	RECOMMENDED ACTIONS
Unit will not blow or mulch	1. Bag full	1. Empty the bag.
	2. Blocked tube	2. Clear the blockage.
	3. Blocked impeller	3. Clear the blockage.
	4. Dirty bag	4. Clean the bag.
	5. Torn bag	5. Replace the bag.
	6. Bag unzipped	6. Zip up the bag.
	7. Unit unplugged	7. Plug into an outlet or an extension cord.
Unit will not start	1. Unit is unplugged	1. Check cord to make sure it is plugged into an electrical outlet.
	2. Power/speed switch is in the OFF (0) position.	2. Slide the power switch to the ON (1) position
	3. Defective power switch.	3. Contact Senix customer service at 1-800-261-3981.
	4. Vac tubes are not correctly installed.	4. Check vac tubes and ensure that they are correctly installed to allow the switch to be engaged.
	5. Intake gate/cover is not closed.	5. Ensure that gate/cover is fully closed and locked.
	6. House circuit may have tripped.	6. Check wall circuit breaker panel and reset if necessary.



NOTICE:

As the equipment owner, you are responsible for the performance of the required maintenance listed in the Maintenance section. It is recommended that you retain all receipts covering maintenance on your equipment. Neglecting or failing to perform the required maintenance may increase emissions, decrease fuel efficiency, degrade performance, cause irreversible engine damage and/or void your warranty.

WARRANTY

LIMITED TWO-YEAR WARRANTY

FOR TWO YEARS from the original date of retail purchase this Senix product is warranted against defects in materials or workmanship on power tools and chargers. Defective product will receive free repair.*

FOR TWO YEARS from the original date of retail purchase this Senix product is warranted against defects in materials or workmanship on batteries. Defective product will receive free repair.*

This warranty does not cover normal wear of parts and components such as cutting chain, line or blades nor does this warranty cover product transportation cost for warranty or service.

Warranty is subject to the following conditions:

- Warranty applies to the original purchaser at retail and is not transferrable*
- Warranty Registration at www.senixtools.com
- The tool has not been misused, abused, neglected, altered, modified or repaired by anyone other than an authorized service center
- Only genuine Senix accessories have been used with or on this product
- The tool has been subjected to normal wear and tear
- The tool has not been used for trade or professional purposes
- The tool has not been used for rental purposes
- This warranty only covers defects arising under normal usage and does not cover any malfunction, failure or defect resulting from misuse, abuse (including overloading the product, exposure to water or rain) accidents, neglect or lack of proper installation and improper maintenance or storage.

To locate your nearest Senix service provider call toll free at 800-261-3981 or email us at service@senixtools.com.

Additional Limitations

Any implied warranty granted under state law, including warranties of merchantability or fitness for a particular purpose, are limited to three years from the date of purchase on power tools and chargers and seven years on batteries. The manufacturer is not responsible for direct, indirect, incidental or consequential damages. Some states and provinces do not allow limitations on how long an implied warranty lasts and/or do not allow the exclusion or limitation of incidental damages, so the above limitations and exclusions may not apply to you. This warranty gives you specific legal rights, and you may also have other rights which vary from state to state or province to province.

The YAT USA declines any responsibility in regard to civil liability arising from abusive use or not in conformity with proper use and maintenance of the machine as described in the operator's manual.

YAT USA is not responsible for direct, indirect, incidental or consequential damages.

After the purchase, the manufacturer recommends proper maintenance of the machine and to read the operator's manual before using the machine.

*Original purchase receipt may be required for proof of purchase

For customer service contact us toll free at 1-800-261-3981 or Senixtools.com.

YAT USA, Inc. 9048 E Bahia Dr, suite 105, Scottsdale, AZ 85260.