



OWNER'S MANUAL

STEEL UTILITY BOXES

MKDB30B/MKDB36B/MKDB42B/MKDB47B

www.montezumastorage.com

LIFE ORGANIZED

Montezuma is committed to helping you succeed in both your work and personal life by being organized, prepared and equipped with the right tools, gear and home supplies at your finger tips.

Keep your life organized with Montezuma.

Thank you for your purchase of this Montezuma Utility Box

ATTENTION

TO REDUCE THE RISK OF INJURY, THE USER MUST READ AND UNDERSTAND THIS INSTRUCTION MANUAL BEFORE USING THIS PRODUCT FOR THE FIRST TIME. SAVE THESE INSTRUCTIONS FOR FUTURE REFERENCE.

Fill in the following information and retain this owner's manual for future reference:

MODEL(S):

DATE OF PURCHASE:

PLACE OF PURCHASE:

RECEIPT NO:

SPECIFICATIONS

30" STEEL UTILITY BOX

MKDB30B

OVERALL DIMENSIONS: 30" W x 12-5/8" D x 8-7/8" H
(76.2 cm W x 32 cm D x 22.4 cm H)

36" STEEL UTILITY BOX

MKDB36B

OVERALL DIMENSIONS: 36" W x 14-1/4" D x 10-5/8" H
(91.4 cm W x 36.1 cm D x 26.9 cm H)

42" STEEL UTILITY BOX

MKDB42B

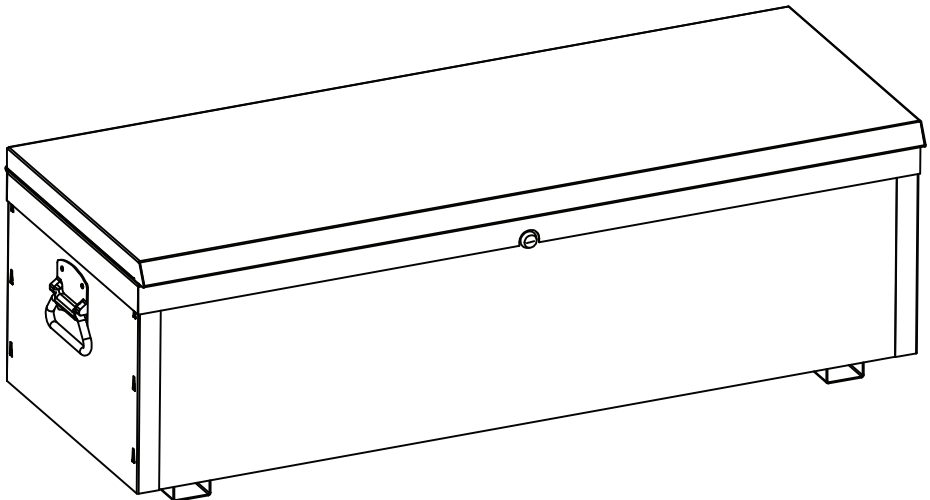
OVERALL DIMENSIONS: 42" W x 15-3/4" D x 12-3/8" H
(106.7 cm W x 40 cm D x 31.4 cm H)

47" STEEL UTILITY BOX

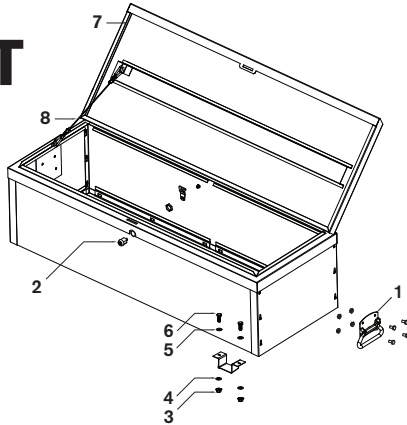
MKDB47B

OVERALL DIMENSIONS: 47-1/4" W x 17-1/4" D x 14-1/4" H
(120.1 cm W x 43.8 cm D x 36.2 cm H)

** Height does not include feet.*



PARTS LIST



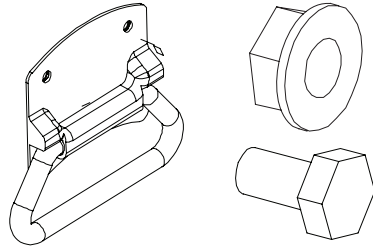
REF	DESCRIPTION	PART NUMBER	QTY
1	SIDE HANDLE ASSEMBLY 1 x Side Handle 4 x M6 Flange Nut 4 x M6 x 12 Hex Bolt	122371	2
2	LOCK ASSEMBLY 1 x Lock Body 1 x M18 Hex Nut 1 x Locking Cam 1 x M5 x 6 Screw	122372	1
3	M8 Flange Nut	122373	8
4	Rubber Gasket	122374	8
5	Metal Washer	122375	8
6	M8 x 16 Hex Bolt	122376	8
7	WATER RESISTANT SEAL For 30" Utility Box For 36" Utility Box For 42" Utility Box For 47" Utility Box	122377 122380 122381 122382	1
8	LID STOP For 30" Utility Box For 36" Utility Box For 42" Utility Box For 47" Utility Box	122378 122383 122384 122385	1

To order replacement parts, email service@montezumastorage.com or call 1-800-459-4409 (Monday–Friday, 8:00 am–4:30 pm, CST). Have the part number and quantity ready. Replacement keys may be ordered using the code that appears on the face of the lock. Not all parts are covered under warranty. Those parts not covered can be purchased.

2

Side Handle Assembly

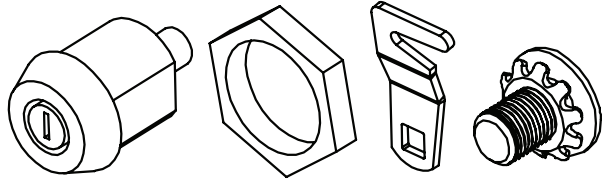
Includes side handle and hardware for installing (4 x M6 Flange Nut and 4 x M6 x 12 Hex Bolt)



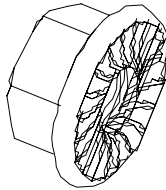
1

Lock Assembly

Includes lock body and hardware for installing (1 x M18 Hex Nut, 1 x Locking Cam and 1 x M5 x 6 Screw)



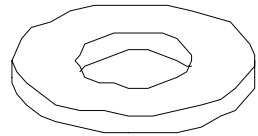
8



M8 Flange Nut

For attaching the feet

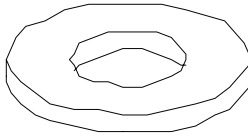
8



Metal Washer

For attaching the feet

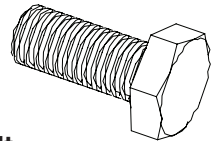
8



Rubber Gasket

For attaching the feet

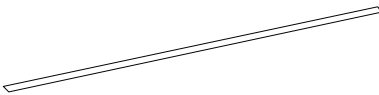
8



M8 x 16 Hex Bolt

For attaching the feet

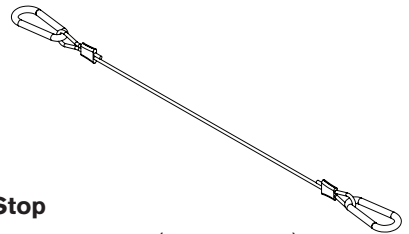
1



Water Resistant Seal

For sealing the lid (pre-installed)

1

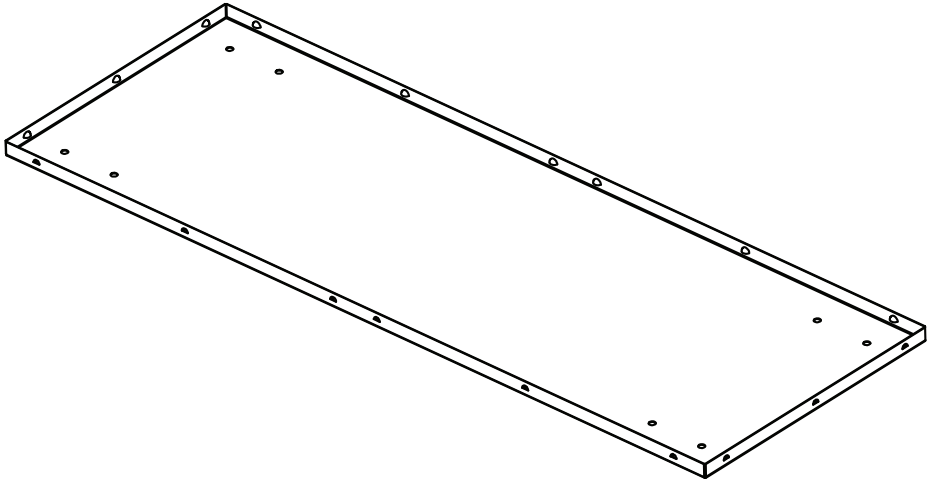


Lid Stop

For securing the lid (pre-installed)

ASSEMBLY

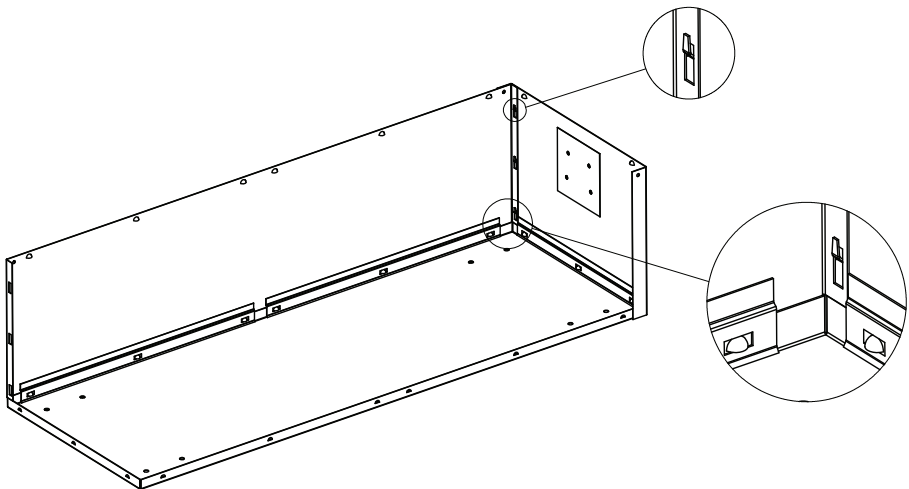
Place the bottom panel with the edges facing up, as shown below.



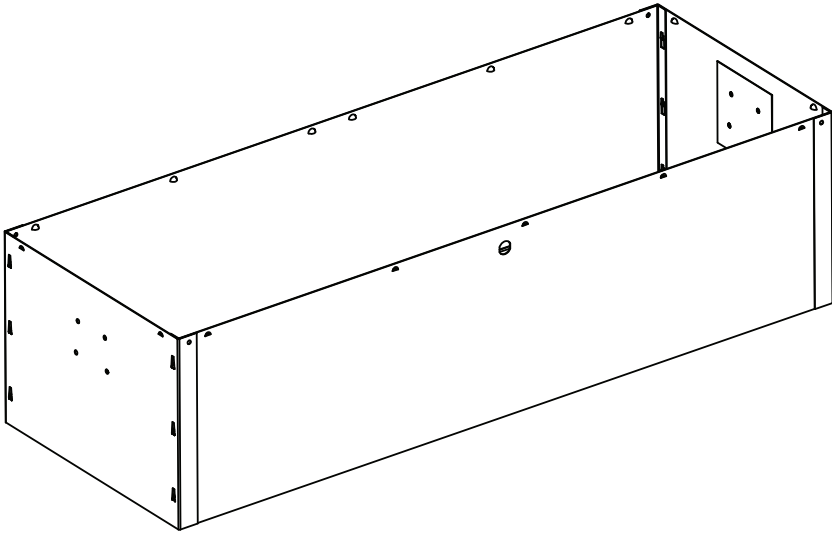
Insert the squares tabs on the right side panel into the corresponding holes in the back panel. Then, insert the half moon tabs in the front and right side panels into the corresponding holes in the bottom panel. See illustration below.

Tip: It may be helpful to use a rubber mallet to gently secure the tabs into the holes.

ATTENTION: Make sure the tabs are completely inserted in the holes to prevent them from coming apart when box is loaded.

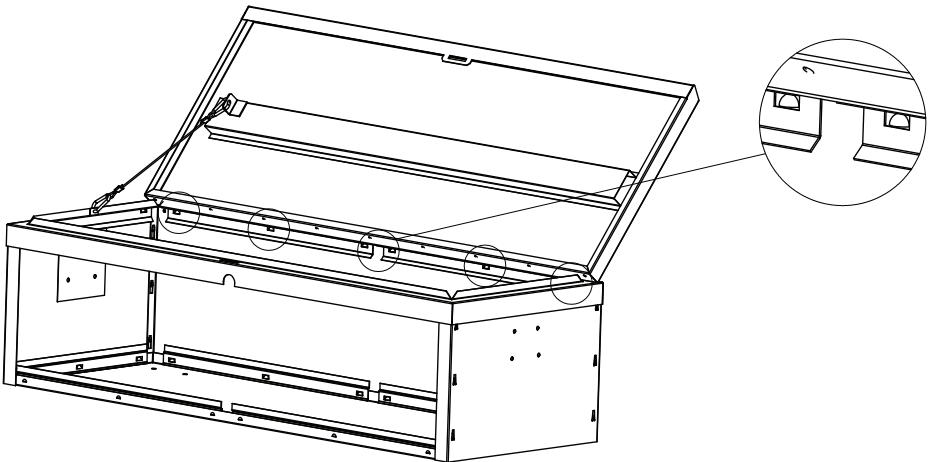


Repeat to attach the front and left side panels.

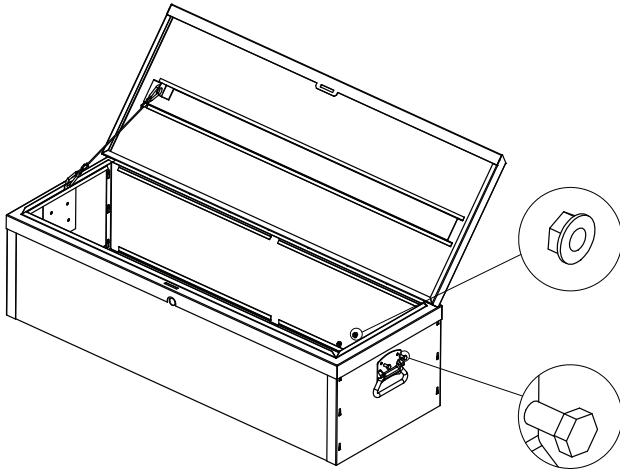


Place the lid on the assembled body and press down to attach it to all four of the body panels. Gently tap the half moon tabs with a rubber mallet until they are fully engaged.

ATTENTION: Make sure the tabs are completely inserted in the holes to prevent them from coming apart when box is loaded.

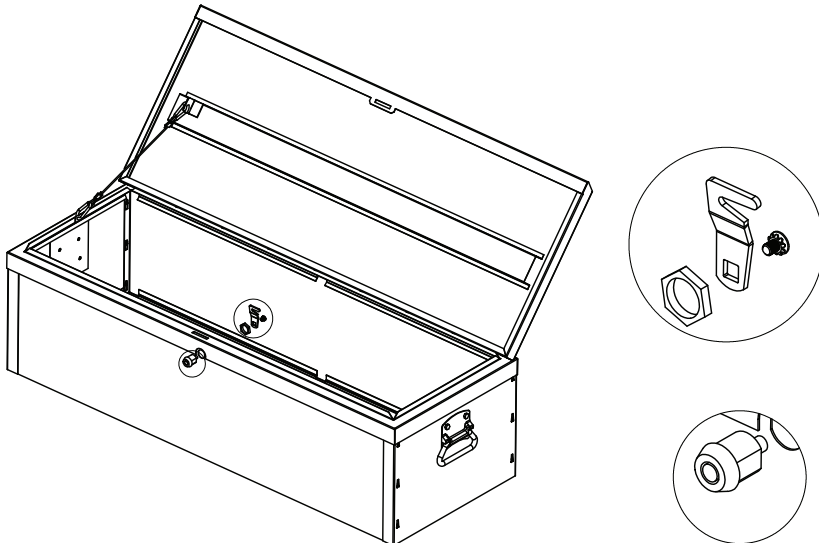


Attach each side handle using four (4) M6 x 12 hex bolts and M6 flange nuts.



To assemble the lock, place the lock body in the opening on the front of the utility box. Thread the M18 hex nut onto the lock body, and tighten until the lock is secured against the front of the utility box. Slip-joint pliers can help tighten the nut into place.

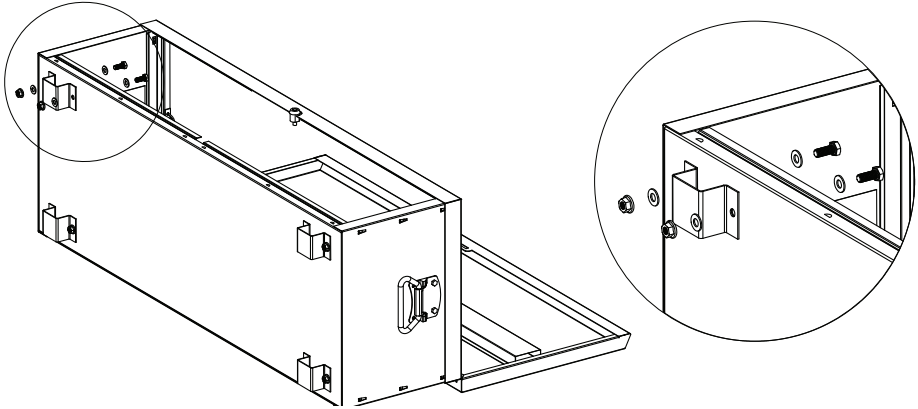
Place the locking cam onto the lock body and secure with the M5 x 6 screw. Tighten the screw to secure the lock assembly in place, but not so tight that you cannot turn the locking cam with the key.



NOTE: You may need two people to to complete this step with larger utility boxes.

Lay the box on its back with the lid open.

Line up the steel feet with the holes in the bottom panel. Insert the M8 x 16 hex bolts through the metal washers, the bottom inside of the utility box and then through the steel feet on the other side of the panel. Secure using the rubber gaskets and M8 flange nuts.



MAINTENANCE

Regularly check the swing-up side handles to make sure they are secure.

SAFETY

CAUTION

Make sure the weight of the contents is distributed evenly.

30" UTILITY BOX: The maximum product weight, including contents, is 150 lb (68 kg).

36" UTILITY BOX: The maximum product weight, including contents, is 300 lb (136 kg).

42" UTILITY BOX: The maximum product weight, including contents, is 450 lb (204 kg).

47" UTILITY BOX: The maximum product weight, including contents, is 600 lb (272 kg).



This product is warranted to be free from defects in materials and workmanship for a period of one (1) year from the date of original purchase.

If this product is defective, email service@montezumastorage.com or call 1-800-459-4409 (Monday–Friday, 8:00 am–4:30 pm, CST). If the product is defective, we will replace the defective part at no cost to you.

Please do not ship your product back to the store or to us unless we send you written instructions for return.

In the event it becomes necessary for your product to be returned, we will notify you how to proceed.

A copy of your original purchase receipt must accompany the returned product.



Manufactured by:

QUALITY CRAFT

Romeoville, IL 60446

service@montezumastorage.com

1-800-459-4409

(Monday to Friday, 8:00 am–4:30 pm, CST)

Made in China