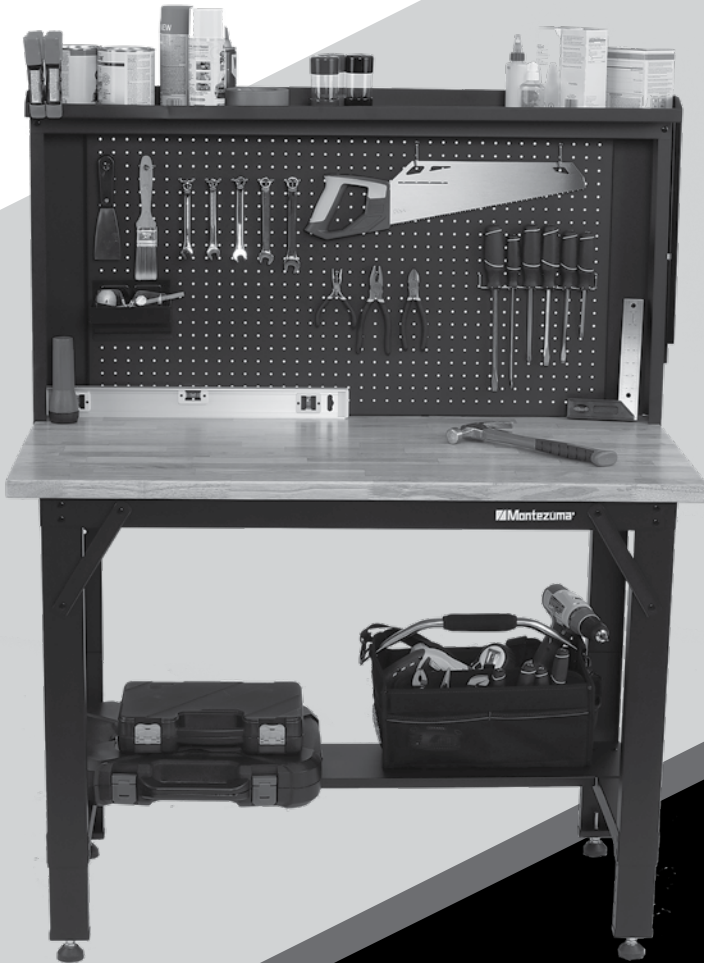


Montezuma[®]
LIFE ORGANIZED



OWNER'S MANUAL
**4' ADJUSTABLE HEIGHT
STEEL WORKBENCH WITH
PEGBOARD BACK WALL**

MWB482454B

www.montezumastorage.com

LIFE ORGANIZED

Montezuma is committed to helping you succeed in both your work and personal life by being organized, prepared and equipped with the right tools, gear and home supplies at your finger tips.

Keep your life organized with Montezuma.

Thank you for your purchase of this Montezuma Workbench.

ATTENTION

TO REDUCE THE RISK OF INJURY, THE USER MUST READ AND UNDERSTAND THIS INSTRUCTION MANUAL BEFORE USING THIS PRODUCT FOR THE FIRST TIME. SAVE THESE INSTRUCTIONS FOR FUTURE REFERENCE.

Fill in the following information and retain this owner's manual for future reference:

MODEL(S):

DATE OF PURCHASE:

PLACE OF PURCHASE:

RECEIPT NO:

SPECIFICATIONS

MAXIMUM PRODUCT WEIGHT: 1000 lb (450 kg) of static, evenly distributed weight

MAXIMUM SHELF WEIGHT: 50 lb (22.7 kg)

MAXIMUM WEIGHT ON PEGBOARDS: 35 lb (15.9 kg)

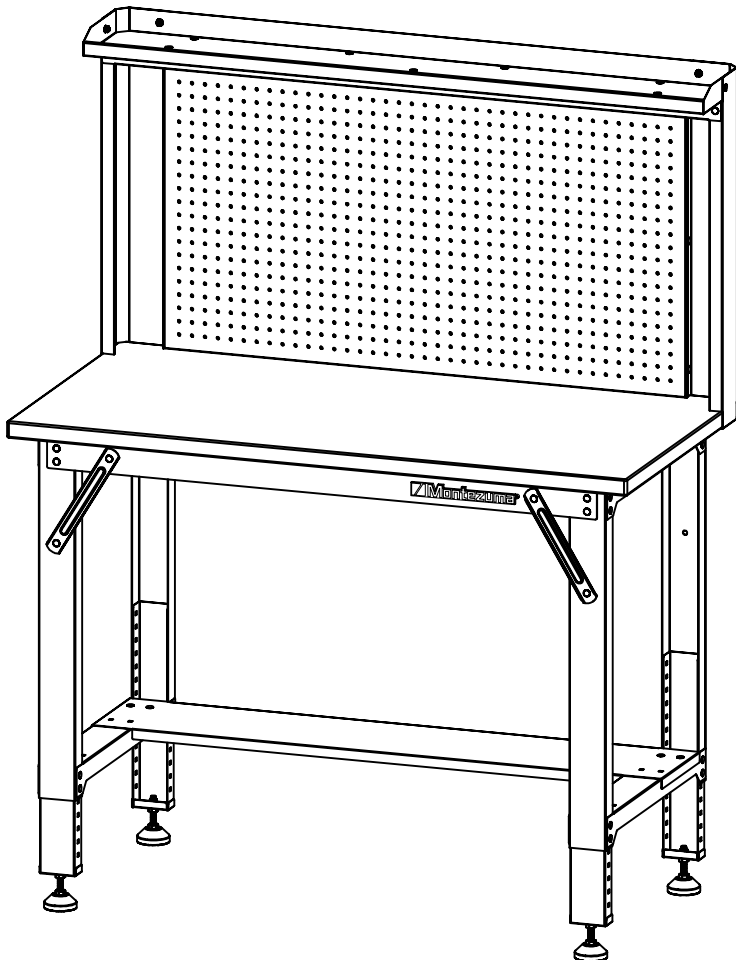
OVERALL DIMENSIONS:

48" W x 24" D x 66.2" H (121.9 cm W x 61 cm D x 168.1 cm H)

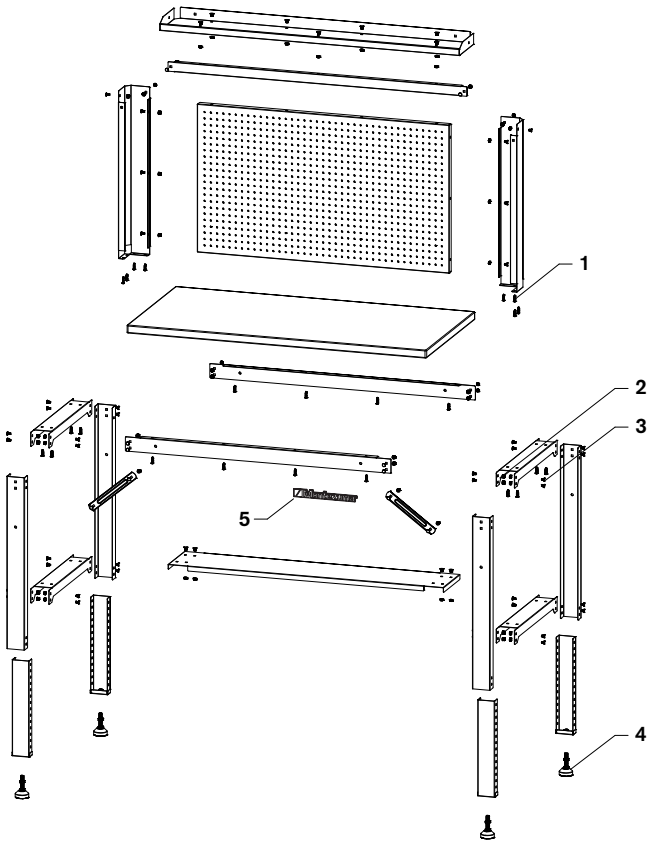
WORKBENCH DIMENSIONS:

48" W x 24" D x 41" H (121.9 cm W x 61 cm D x 104 cm H)

Steel frame height adjusts from 29" to 41" in 1" increments



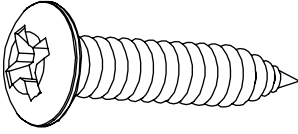
PARTS LIST



REF	DESCRIPTION	PART NUMBER	QTY
1	M5 x 18 mm Lag Screw	122327	29
2	M6 Hex Nut	122329	69
3	M6 x 10 mm Bolt	122328	69
4	Leveling Feet	122326	4
5	Montezuma Nameplate	121701	1

To order replacement parts, email service@montezumastorage.com or call 1-800-459-4409 (Monday–Friday, 8:00 am–4:30 pm, CST). Have the part number and quantity ready. Replacement keys may be ordered using the code that appears on the face of the lock. Not all parts are covered under warranty. Those parts not covered can be purchased.

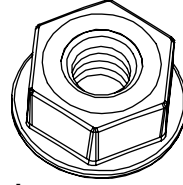
29



M5 x 18 mm Lag Screw

Use to attach work top to frame

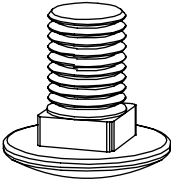
69



M6 Hex Nut

For use with the bolts

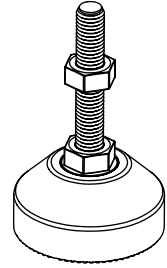
69



M6 x 10 mm Bolt

For frame assembly

4



Leveling Feet

For leveling the workbench

1



Montezuma Nameplate

For attaching to the front of the workbench

ASSEMBLY

Install one of the leveling feet at the bottom of each adjustable leg section.



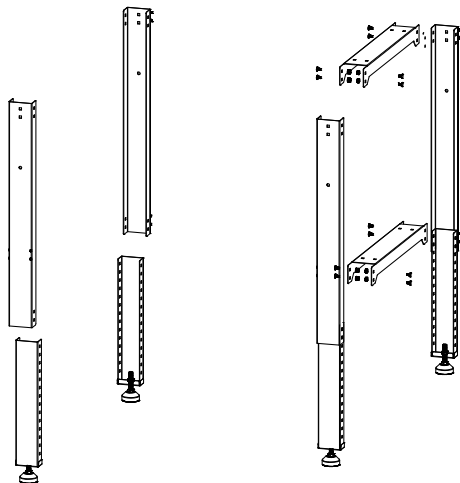
Slide each adjustable leg section onto a main leg section until you reach the desired height. Remember that the wood work top is 1.25" thick, so you will need to reduce the leg length by the 1.25" to hit your targeted height. Make sure the length of each leg is the same.

Insert one cross brace so that it can be fastened together with the adjustable leg section and main leg section at the desired height, making sure all holes are lined up. Use four (4) nuts and bolts to secure the cross brace. Repeat to connect a second leg, which creates one leg assembly.

Secure the leg assembly with another cross brace at the top of the legs using four (4) bolts and nuts per leg.

Tighten all nuts and bolts.

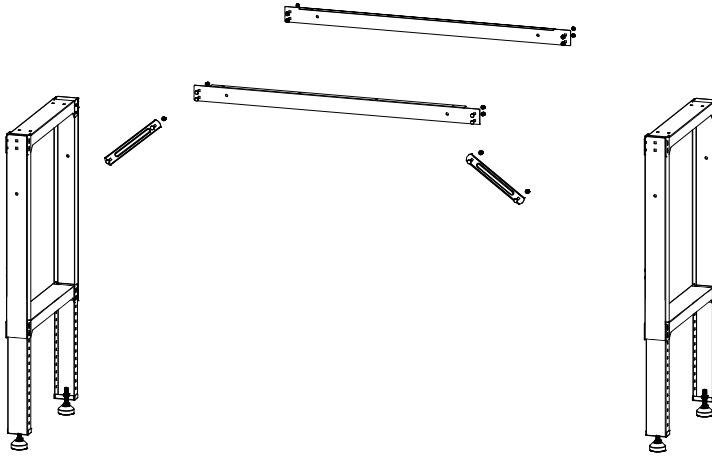
Repeat to create the second leg assembly, which will form the other end of the workbench.



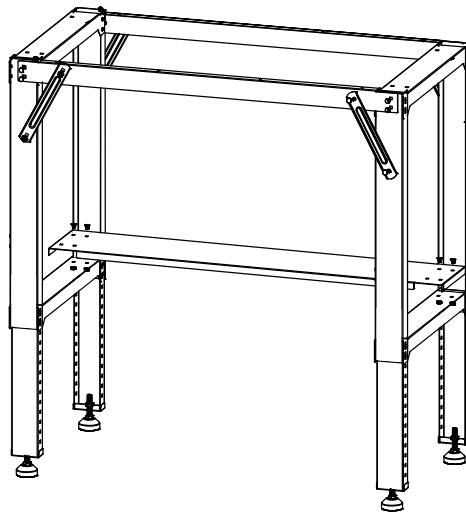
Line up the holes in the two cross bars with the holes in the top of the leg assemblies. The cross bar flange will overlap the legs at each end. Secure each cross bar to the top of each leg using two (2) nuts and bolts.

Connect the braces from the front cross bar to the leg assemblies to improve stability, using two (2) nuts and bolts for each brace.

Do not tighten fasteners until all legs are connected to the cross bars and braces. Once all legs are connected, use a level to make sure the frame is straight, then tighten all nuts and bolts.



Attach the bottom shelf to the bottom cross braces using two (2) nuts and bolts on either side. The shelf is recessed so that a stool can be tucked under the workbench.



CAUTION: You may require the assistance of a second person to complete this step.

Place the work top on a soft mat with the finished top surface facing down.

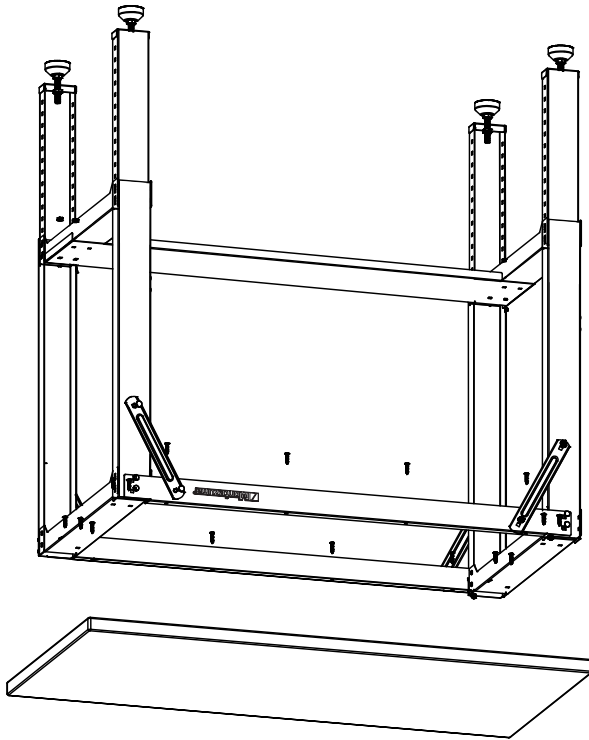
Place the steel frame upside down on the work top. The work top should be flush with the back of the frame – this would be the back of your workbench. It will allow the workbench to be pushed close to the wall and leave an overhang on the front of the workbench. Center the frame, right to left.

Mark the holes on the steel frame onto the bottom of the work top. Remove the steel frame. Drill pilot holds in the bottom of the work top at the locations you have marked.

Place the steel frame back on the work top and secure using the screws that are included. Six screws are used to attach the work top to each long cross bar and four screws are used to attach the work top to each short cross brace.

Turn the workbench upright and place in the location it will be used. Check to make sure the workbench is still level. If you need to adjust, use the leveling feet.

Attach the Montezuma Nameplate to the right hand side of the front cross bar using the self-adhesive backing.



CAUTION: You may require the assistance of a second person to complete this step.

Build the back wall onto the workbench by slipping a column onto one back corner of the work top. The column should be nested above and below the work top. Mark the location of the holes in the bottom of the column on the bottom of the work top. Remove the column and drill pilot holes in the bottom of the work top. Set the column back in place so the work top is nested into the column and secure the column in place using the four (4) lag screws. Repeat on the other side with the remaining column.

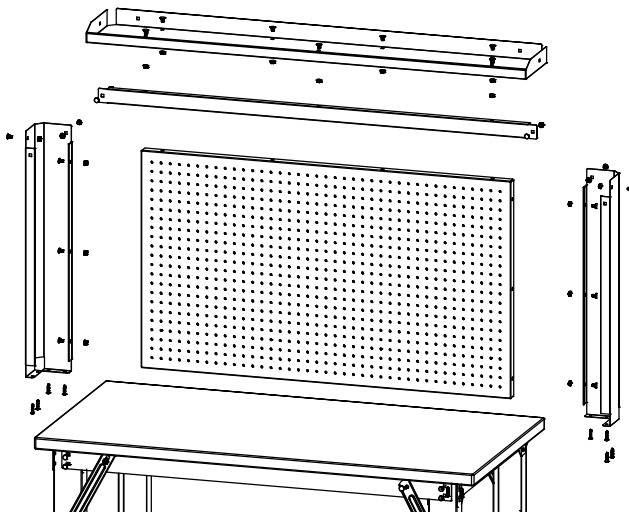
Attach the top shelf by nesting it down in the tops of each of the columns. The columns have been designed with notches to help locate the top shelf into place. Fasten the top shelf to each of the columns using two (2) nuts and bolts in the side and back of the columns.

Place the column cross brace under the top shelf and secure it to each column with one (1) nut and bolt. The cross brace is notched so it will set under the top shelf and the end of the cross brace will overlap the front of each column.

On the back side of the workbench, lift the pegboard panel into place. Line up the holes of the pegboard panel with the holes in the inside edge of the columns. Secure with three (3) nuts and bolts. It may be easier to complete this step with one person inserting the bolts into the holes from the front and another person in back tightening the nut. Secure the top of the pegboard panel to the top shelf with two (2) nuts and bolts. Repeat this assembly with the other side of the pegboard panel.

Carefully drill pilot holes in the top of the work top that line up with the holes in the bottom of the pegboard panel. Screw the bottom of the pegboard panel into place using lag screws.

Check one more time to make sure your workbench and back wall are level. Secure all fasteners and move into place. Make sure it is level in the area it will be used.



MAINTENANCE

Periodically tighten all hardware and make sure workbench is level.

Clean the work top with wood cleaner.

SAFETY

DO NOT let children play or hang on the edge of the workbench. It could tip and cause personal injury or product damage.

DO NOT stand or lean on the work top. The workbench could tip and cause personal injury or product damage.

DO NOT mount this product on a truck bed or any other moving object. This may cause personal injury or product damage.

DO NOT alter this project in any manner. For example, do not weld external lockbars or attach electrical equipment. This may cause product damage or personal injury.

Keep the product on level surfaces. The product may become unstable and tip if stored or moved on an uneven surface, which may cause personal injury or product damage.

Do not place items so that they overhang the top or bottom shelves. Items could fall and cause personal injury or product damage.

Do not place items that have a combined weight of over 50 lb (22.7 kg) on either of the shelves. Excess weight could result in personal injury or product damage.

Do not hang items that have a combined weight of more than 35 lb (15.9 kg) on the steel pegboard panel. Excess weight could result in personal injury or product damage.

MAXIMUM PRODUCT WEIGHT: 1000 lb (450 kg) of static, evenly distributed weight



WARNING

Cancer and Reproductive Harm – www.P65Warnings.ca.gov



This product is warranted to be free from defects in materials and workmanship for a period of one (1) year from the date of original purchase.

If this product is defective, email service@montezumastorage.com or call 1-800-459-4409 (Monday–Friday, 8:00 am–4:30 pm, CST). If the product is defective, we will replace the defective part at no cost to you.

Please do not ship your product back to the store or to us unless we send you written instructions for return.

In the event it becomes necessary for your product to be returned, we will notify you how to proceed.

A copy of your original purchase receipt must accompany the returned product.

Montezuma®

LIFE ORGANIZED



Manufactured by:

QUALITY CRAFT

Romeoville, IL 60446

service@montezumastorage.com

1-800-459-4409

(Monday to Friday, 8:00 am–4:30 pm, CST)

Made in China

www.montezumastorage.com

FORM#: MWB482454B-01/20