

A black and white photograph of a man in a workshop. He is wearing a jacket and is looking into an open, large black tool chest. The chest is filled with various tools and equipment. The chest has multiple drawers and a cabinet on the right side. The Montezuma logo is visible on the chest. The background shows a workshop setting with a wall and some equipment.

**Montezuma**<sup>®</sup>  
LIFE ORGANIZED

OWNER'S MANUAL  
**72" X 24" TOOL  
CHEST AND CABINET**

M722410CH/M722416TC

[www.montezumastorage.com](http://www.montezumastorage.com)

# LIFE ORGANIZED

Montezuma is committed to helping you succeed in both your work and personal life by being organized, prepared and equipped with the right tools, gear and home supplies at your finger tips.

We are here to ensure that your life is organized.

Thank you for your purchase of this Montezuma Tool Chest and Cabinet.

## ATTENTION

**TO REDUCE THE RISK OF INJURY, THE USER MUST READ AND UNDERSTAND THIS INSTRUCTION MANUAL BEFORE USING THIS PRODUCT FOR THE FIRST TIME. SAVE THESE INSTRUCTIONS FOR FUTURE REFERENCE.**

Fill in the following information and retain this owner's manual for future reference:

MODEL(S):

DATE OF PURCHASE:

PLACE OF PURCHASE:

RECEIPT NO:

# SPECIFICATIONS

MAXIMUM PRODUCT WEIGHT (INCLUDING CONTENTS): 3,500 lb (1587 kg)  
MAXIMUM DRAWER WEIGHT: 150 lb (68 kg).

## POWER STRIP

MODEL: LTS-04C/CH-04F

SURGE PROTECTIVE DEVICES

RATING: 120 V AC 15 A 60 Hz 1875 W

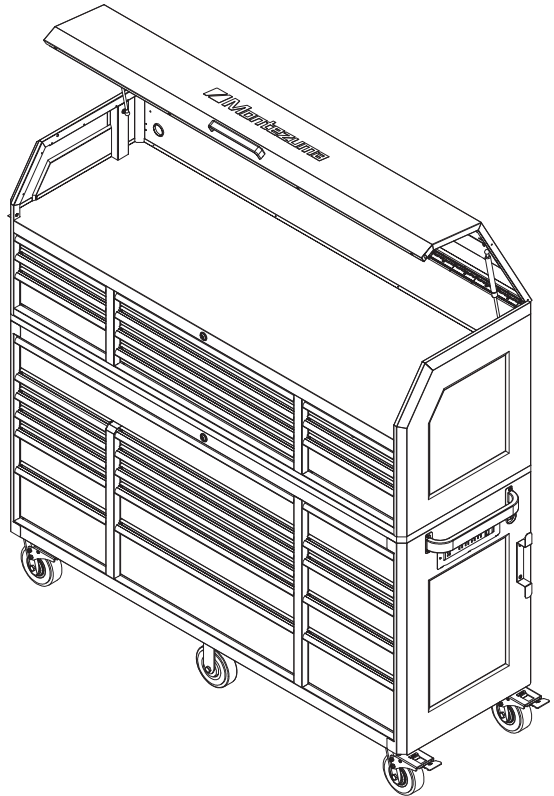
USB: TOTAL 2.1 A – Check your device for compatibility

USB O/P: IT EQUIPMENT ONLY

VPR: 500-1000 V (L-N) TYPE 3 SPD

CONFORMS TO UL STD. NO 1363 AND ANSI/UL STD. NO. 1449

CERTIFIED TO CSA STD. C22.2 NO. 308&8



# 72" x 24" 10-DRAWER TOOL CHEST

M722410CH

## OVERALL DIMENSIONS:

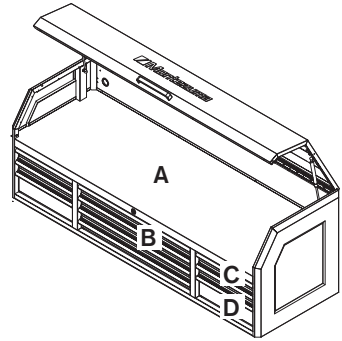
72-5/8" W x 24-5/8" D x 25" H

(184.6 cm W x 62.5 cm D x 63.5 cm H)

NET WEIGHT: 271.17 lb (123 kg)

## INSIDE TILL/DRAWER DIMENSIONS:

REF	DIMENSIONS	QTY
A	69-5/8" W x 23-3/8" D x 8-1/2" H (176.9 cm W x 59.4 cm D x 21.7 cm H)	1
B	31-7/8" W x 21-1/8" D x 2-3/8" H (80.9 cm W x 53.8 cm D x 5.9 cm H)	4
C	15-3/4" W x 21-1/8" D x 2-3/8" H (39.9 cm W x 53.8 cm D x 5.9 cm H)	4
D	15-3/4" W x 21-1/8" D x 5-1/4" H (39.9 cm W x 53.8 cm D x 13.4 cm H)	2



## 72" x 24" 16-DRAWER TOOL CABINET

M722416TC

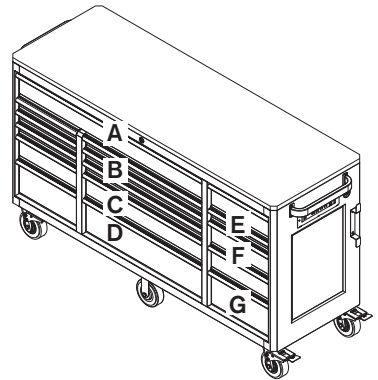
### OVERALL DIMENSIONS:

72-5/8" W x 24-5/8" D x 41-1/8" H  
(184.6 cm W x 62.5 cm D x 104.5 cm H)

NET WEIGHT: 502.65 lb (228 kg)

### INSIDE DRAWER DIMENSIONS:

REF	DIMENSIONS	QTY
A	50-1/4" W x 21-1/8" D x 5-1/8" H (127.5 cm W x 53.8 cm D x 12.9 cm H)	1
B	31-7/8" W x 21-1/8" D x 2-3/8" H (80.9 cm W x 53.8 cm D x 5.9 cm H)	3
C	31-7/8" W x 21-1/8" D x 5-1/4" H (80.9 cm W x 53.8 cm D x 13.4 cm H)	1
D	31-7/8" W x 21-1/8" D x 8-1/4" H (80.9 cm W x 53.8 cm D x 20.9 cm H)	1
E	15-3/4" W x 21-1/8" D x 2-3/8" H (39.9 cm W x 53.8 cm D x 5.9 cm H)	4
F	15-3/4" W x 21-1/8" D x 5-1/4" H (39.9 cm W x 53.8 cm D x 13.4 cm H)	4
G	15-3/4" W x 21-1/8" D x 8-1/4" H (39.9 cm W x 53.8 cm D x 20.9 cm H)	2

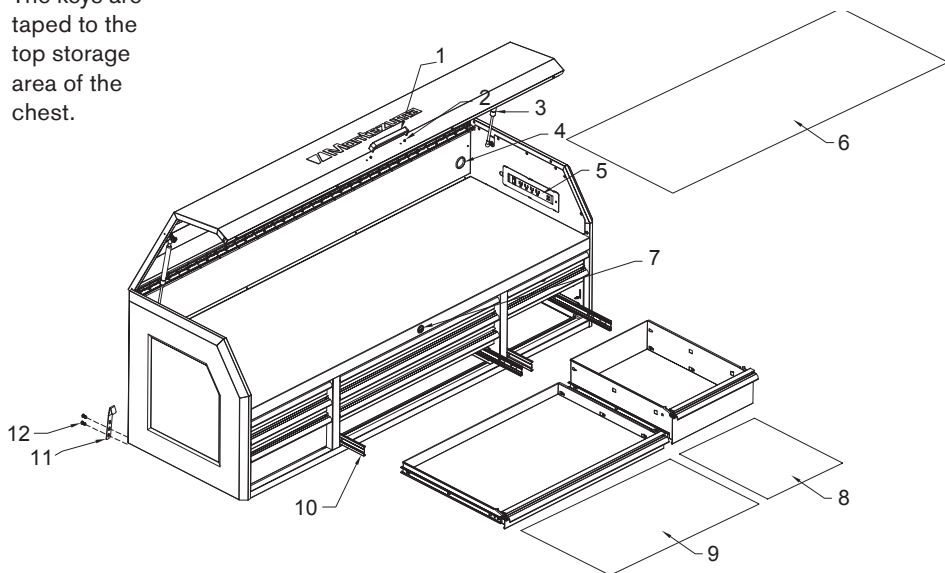


\* Dimensions do not include side handles.

# CHEST PARTS LIST



The keys are taped to the top storage area of the chest.



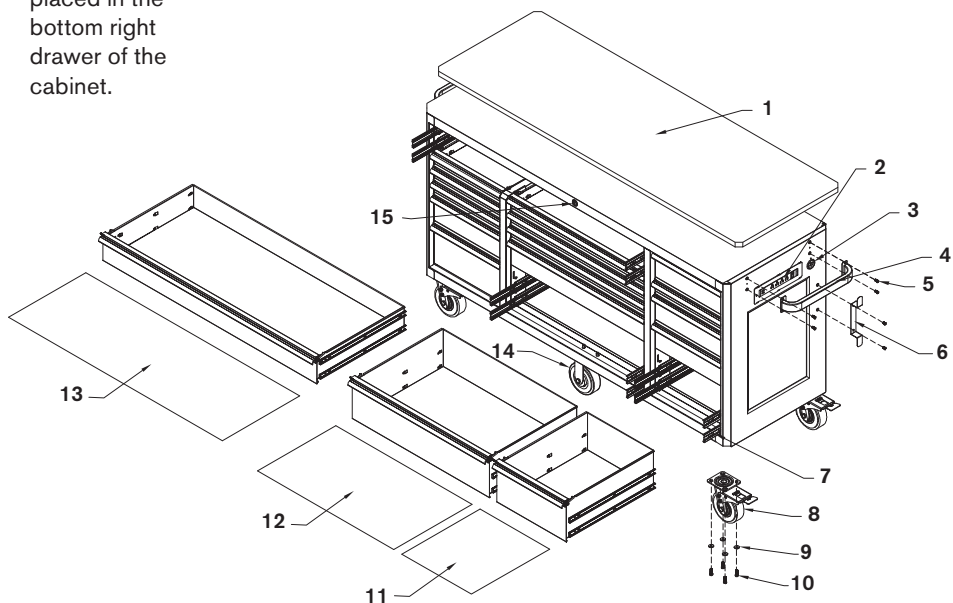
<b>REF</b>	<b>DESCRIPTION</b>	<b>PART NUMBER</b>	<b>QTY</b>
1	Chest Handle	301883	1
2	M4 x 12 mm Phillips Head Bolt	320084	2
3	Gas Strut	303180	2
4	Grommet	314027	2
5	Power Strip	333059	1
6	Till Liner	552088	1
7	Lock and Key (1201–1204)	304166	2
8	Drawer Liner	551898	6
9	Drawer Liner	551897	4
10	Slide Set	300380–300381	10
11	Connector	240091	2
12	M6 x 12 mm Hex Bolt	321051	4

To order replacement parts, email [service@montezumastorage.com](mailto:service@montezumastorage.com) or call 1-800-459-4409 (Monday–Friday, 8:00 am–4:30 pm, CST). Have the part number and quantity ready. Replacement keys may be ordered using the code that appears on the face of the lock. Not all parts are covered under warranty. Those parts not covered can be purchased.

# CABINET PARTS LIST



They keys are taped to the top of the caster carton, which is placed in the bottom right drawer of the cabinet.





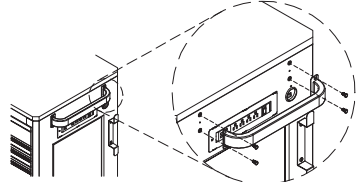
<b>REF</b>	<b>DESCRIPTION</b>	<b>PART NUMBER</b>	<b>QTY</b>
1	Work Top	571996	1
2	Power Strip	333059	1
3	Grommet	314027	1
4	Cabinet Handle	306142	2
5	M6 x 12 mm Phillips Head Bolt	320323	10
6	Cord Wrap	236870	1
7	Slide Set	300380–300381	20
8	Swivel Caster	302231	4
9	Washer	324002	24
10	M8 x 25 mm Hex Bolt	321047	24
11	Drawer Liner	551898	10
12	Drawer Liner	551897	5
13	Drawer Liner	551896	1
14	Rigid Caster	302232	2
15	Lock and Key (1201–1204)	304166	1

To order replacement parts, email [service@montezumastorage.com](mailto:service@montezumastorage.com) or call 1-800-459-4409 (Monday–Friday, 8:00 am–4:30 pm, CST). Have the part number and quantity ready. Replacement keys may be ordered using the code that appears on the face of the lock. Not all parts are covered under warranty. Those parts not covered can be purchased.

# HANDLE INSTALLATION

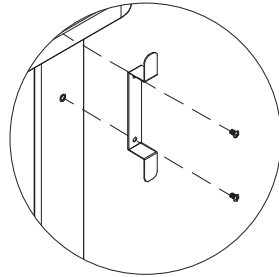
NOTE: Assemble the handles first to make it easier to move the cabinet.

Position the handles over the holes in the cabinet and attach with the M6 x 12 mm Phillips head bolts provided. Tighten securely using a 10 mm socket.



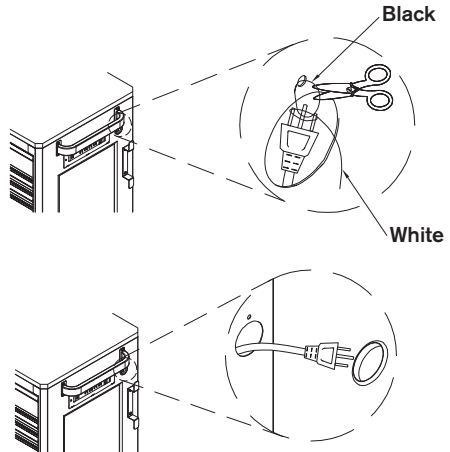
# CORD WRAP INSTALLATION

Position the cord wrap over the holes in the cabinet. Attach with the M6 x 12 mm Phillips head bolts provided. Tighten securely.



# POWER STRIP INSTALLATION

Cut the black strip holding the cord, then pull the white strip to get the plug out of the cabinet and through the grommet. Tighten the grommet.

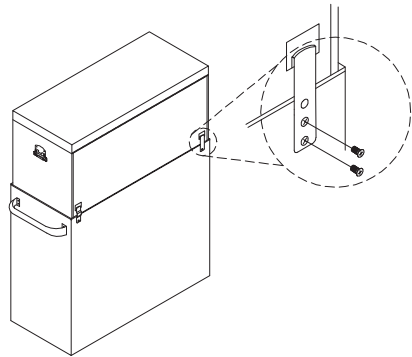


# CHEST AND CABINET CONNECTION

**CAUTION:** Two or more people may be required to complete this step.

**NOTE:** It is not required to remove the worktop attached to the cabinet. If you do want remove the worktop, first remove the drawers, then unbolt the worktop.

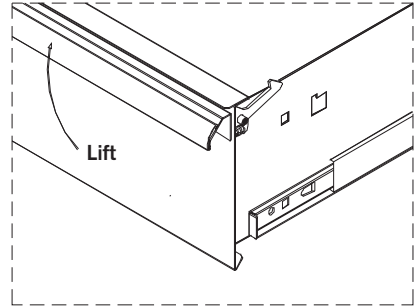
Place the chest on the cabinet. Attach the connectors to the chest, making sure the hook head snaps in the square hole on the back of the chest. Fasten the M6 x 12 mm hex bolts to the cabinet.



# RAISE AND RELEASE DRAWER FRONTS

These units are equipped with raise and release drawer fronts. To open, lift up on the drawer front while pulling towards you. To close, shut the drawer firmly until the latch engages.

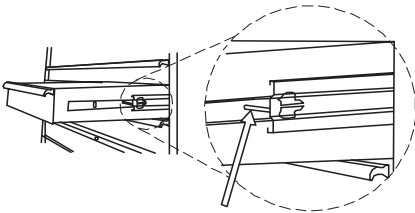
If the drawer does not stay closed, the hook may be bent, or it may be rubbing against the drawer slides. To fix this problem, lightly bend the hook until the drawer will engage in the slide.



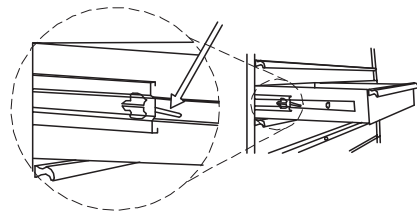
# DRAWER REMOVAL

Pull the drawer out so that it's almost fully extended. Push up on the black release lever on one side, while pushing down on the black release lever on the other side. While holding the levers in these positions, pull the drawer outward until it is released from the drawer slide.

## ONE SIDE – PUSH UP



## OTHER SIDE – PUSH DOWN



# DRAWER REPLACEMENT

Extend the drawer slides from the unit. Insert the brackets on each side of the drawer into the slots in the slides, being careful that they are properly positioned. Once properly inserted, completely close the drawer to set the slides in position.

# MAINTENANCE

Periodically clean the drawer fronts, trim, and other surfaces with mild detergent and water.

Lubricate the casters with high quality bearing grease (annually/yearly).

Lubricate the slides (twice a year) with a product like WD40 or other quality lubricant. This is especially important in low temperatures, which can cause the bearing to become stiff.

Grease and oil can be removed with most standard cleaning fluids. For safety, use a nonflammable cleaning fluid.

# SAFETY

**RISK OF ELECTRIC SHOCK.** To reduce the risk of electric shock, use indoors in a dry location only. Do not plug the power strip into another power strip. Not for use for a permanent installation.

Changes or modifications to this unit not expressly approved by the party responsible for compliance could void the user's authority to operate the equipment.

Close the cover and lock the drawers before moving this product. The drawers could come open and make the product unstable and tip, which may cause personal injury or product damage.

Do not attempt to lift the unit by its side handles using chains, ropes or other lifting devices. The side handle could fail, which may cause personal injury or damage to the product.

**DO NOT** stand on this product or lean on the drawers or work surface.

**WEAR SAFETY GLASSES** when removing or repositioning the slides. The tool could slip, which may cause personal injury.

When moving this product, do not pull it. Push the product to prevent personal injury.

**USE THE BRAKES** when not moving this product. This will prevent the product from rolling, which may cause personal injury or product damage.

**BE CAREFUL** when opening more than one drawer. The product could become unstable and tip, which may cause personal injury or product damage.

**DO NOT** mount this product on a truck bed or any other moving object. This may cause personal injury or product damage, and will void the warranty.

Secure this product properly before moving it with a forklift.

**DO NOT** tow with power equipment. The product could tip, which may cause personal injury or product damage.

Keep the product on level surfaces. The product could become unstable and tip if stored or moved on an uneven surface, which may cause personal injury or product damage.



This product is warranted to be free from defects in materials and workmanship for a period of five (5) years from the date of original purchase.

If this product is defective, email [service@montezumastorage.com](mailto:service@montezumastorage.com) or call 1-800-459-4409 (Monday–Friday, 8:00 am–4:30 pm, CST). If the product is defective, we will replace the defective part at no cost to you.

Please do not ship your product back to the store or to us unless we send you written instructions for return.

In the event it becomes necessary for your product to be returned, we will notify you how to proceed.

A copy of your original purchase receipt must accompany the returned product.



**WARNING**

Cancer and Reproductive Harm – [www.P65Warnings.ca.gov](http://www.P65Warnings.ca.gov)



**Montezuma**<sup>®</sup>  
LIFE ORGANIZED



Manufactured by:

**QUALITY CRAFT**

Romeoville, IL, USA 60446

[service@montezumastorage.com](mailto:service@montezumastorage.com)

1-800-459-4409

(Monday to Friday, 8:00 am–4:30 pm, CST)

Made in China

[www.montezumastorage.com](http://www.montezumastorage.com)

M722410CH/M722416TC\_05/20