



#1792825 Down Draft Table

(fits PM2820EVS drill press)

⚠ WARNING: This product can expose you to chemicals including lead which is known to the State of California to cause cancer and birth defects or other reproductive harm. For more information go to <http://www.p65warnings.ca.gov>.

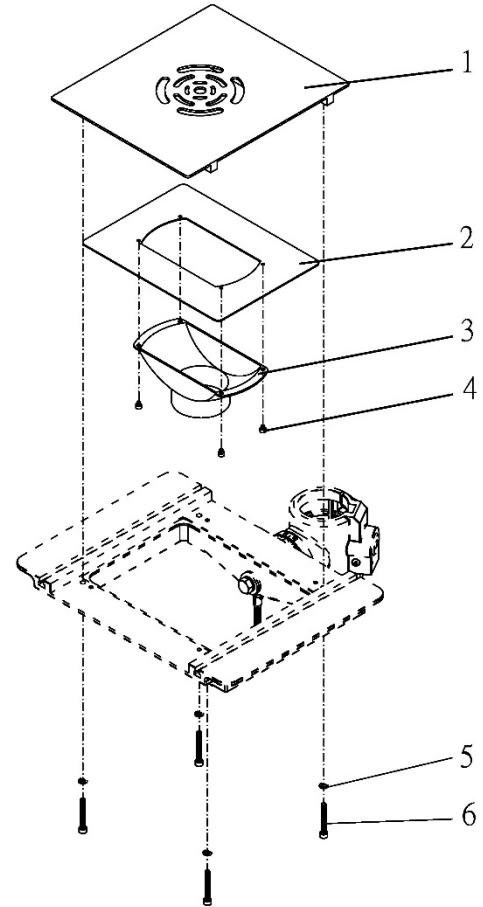
⚠ WARNING: Drilling, sawing, sanding or machining wood products generates wood dust and other substances known to the State of California to cause cancer. Avoid inhaling dust generated from wood products or use a dust mask or other safeguards for personal protection. Wood products emit chemicals known to the State of California to cause birth defects or other reproductive harm. For more information go to <http://www.p65warnings.ca.gov/wood>.

Assembly to the Drill Press

See drawing at right to assist with assembly to the PM2820EVS drill press.

The Down Draft Table surface should be leveled with surface of drill press table; use a level across the tables and turn the set screws as needed beneath drill press table to achieve this. Tighten screws (#6) to secure setting.

Dust hose not provided. Secure end of hose to dust chute (#3) with a hose clamp, and opposite end of hose to an appropriate dust collection system.



Parts List

Index No.	Part No.	Description	Size	Qty.
.....	1792825	Down Draft Table Assembly (item #1~4)		1
1	PM2820EVS-801	Down Draft Table		1
2	PM2820EVS-802	Plate		1
3	PM2820EVS-803	Dust Chute	4"	1
4	F005680	Socket Head Cap Screw	M6-1.0Px6	4
5	TS-2361081	Lock Washer	M8	4
6	TS-1504121	Socket Head Cap Screw	M8-1.25Px60	4

To order parts or reach our service department, call 1-800-274-6848 Monday through Friday, 8:00 a.m. to 5:00 p.m. CST. Having the Model Number and Serial Number of your product available when you call will allow us to serve you quickly and accurately. Non-proprietary parts, such as fasteners, can be found at local hardware stores, or may be ordered from Powermatic.

Powermatic
 427 New Sanford Road
 LaVergne, Tennessee 37086
 Ph.: 800-274-6848
www.powermatic.com

Document No. M-1792825
 Edition 1 07/2020

Copyright © 2020 Powermatic, a division of JPW Industries