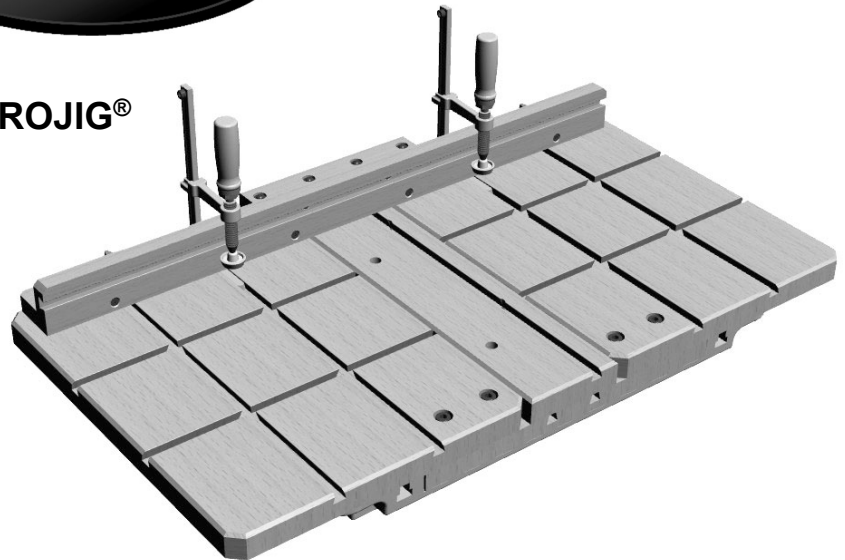




#1792824 Clamp Table with MICROJIG®
Assembly Instructions
(fits PM2820EVS drill press)

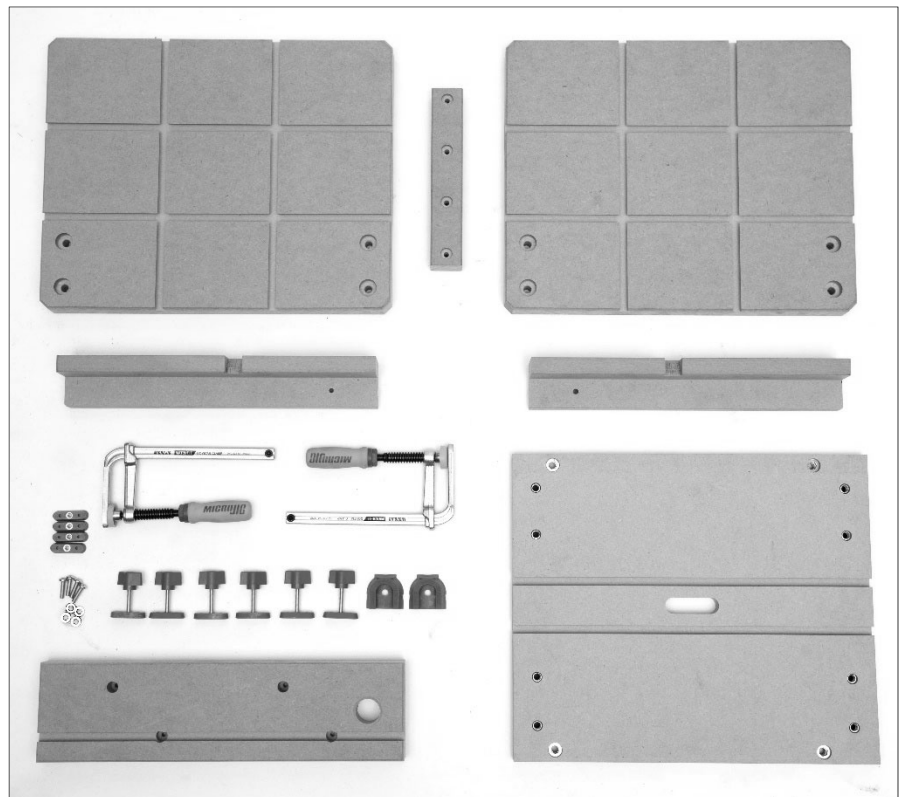


Contents of carton:

- 1 4-pc slotted table
- 1 3-pc fence

- 1 MICROJIG® clamp kit:
 - 2 MATCHFIT™ Dovetail Clamp
 - 2 MATCHFIT X-Pad™
 - 6 Dovetail bolts and wing knobs
 - 4 Dovetail nuts
 - 4 Phillips pan hd screws, 3/16x3/4
 - 4 Flat washers

- 1 Hardware package (*not shown*) contains:
 - 8 Soc Hd Cap Screws, M8x30
 - 8 Flat Washers M8
 - 8 Flat Hd Screws, 3/16x1/2
 - 2 Flat Hd Screws, 3/16x1-1/4
 - 4 Pan Hd Screws, 3/16x1-1/2
 - 4 Flat Washers 3/16



Powermatic
427 New Sanford Road
LaVergne, Tennessee 37086
Ph.: 800-274-6848
www.powermatic.com

Document No. M-1792824

Edition 1 07/2020

Copyright © 2020 Powermatic, a division of JPW Industries

Assembly of Clamp Table

Item numbers match those of the parts list. Consult parts drawing if further clarification is needed.

STEP 1:

Place Bottom Board (#2) into drill press table. Make flush with top surface of drill press table by turning the set screws beneath the table in or out. Secure Bottom Board with the existing socket hd screws.

STEP 2:

Install wing tables (#1) with M8x30 socket hd cap screws and M8 flat washers. Tighten screws. Note: Wing tables are identical.

STEP 3:

Install screws and washers into Sliding Board (#4) and Dovetail Nuts (#16) beneath. Adjust Dovetail Nuts (#16) so that they can slide into the slots of the center section.

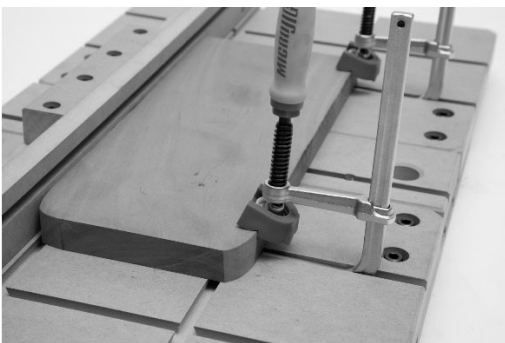
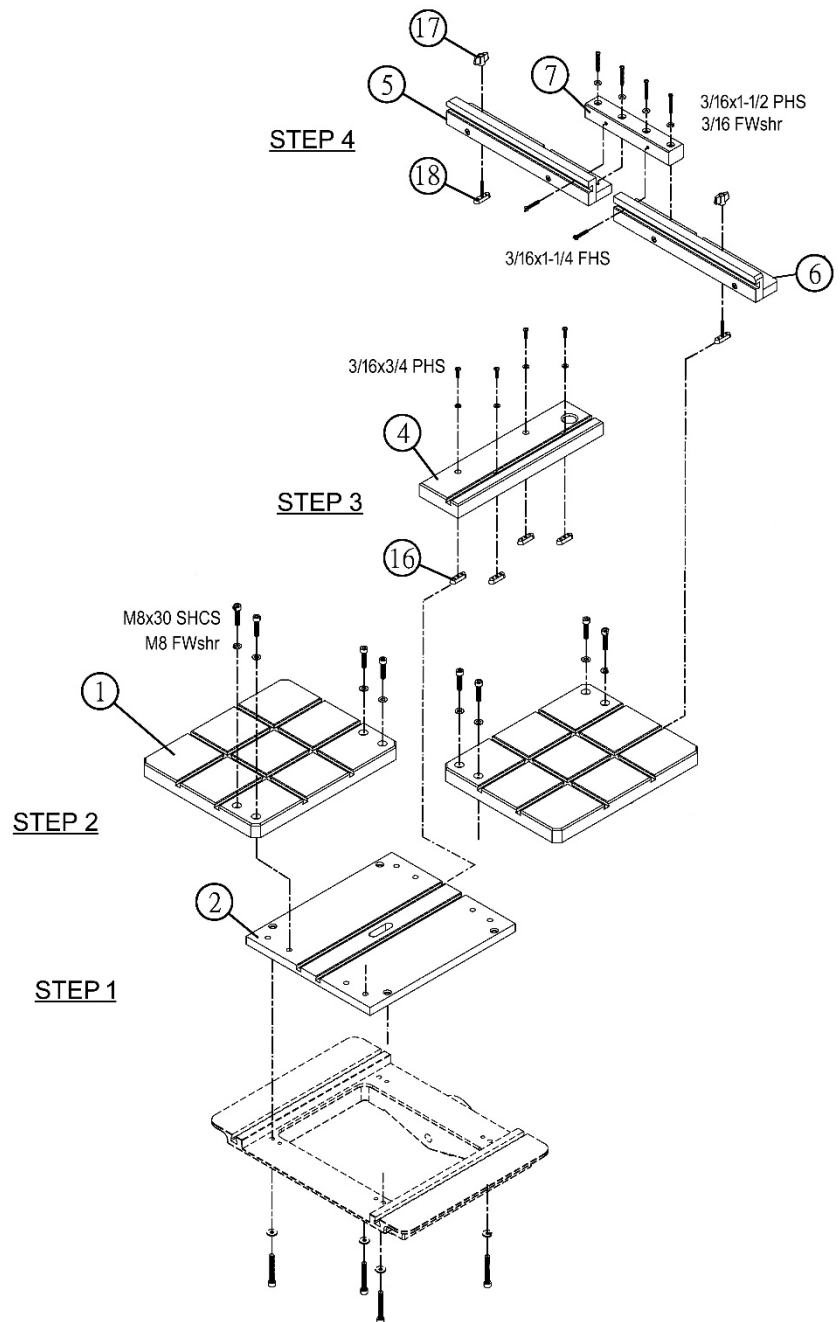
STEP 4:

Assemble fence halves with the Connecting Block (#7). Install Wing Knobs (#17) and Dovetail Bolts (#18) into fence and slide the structure into the table grooves.

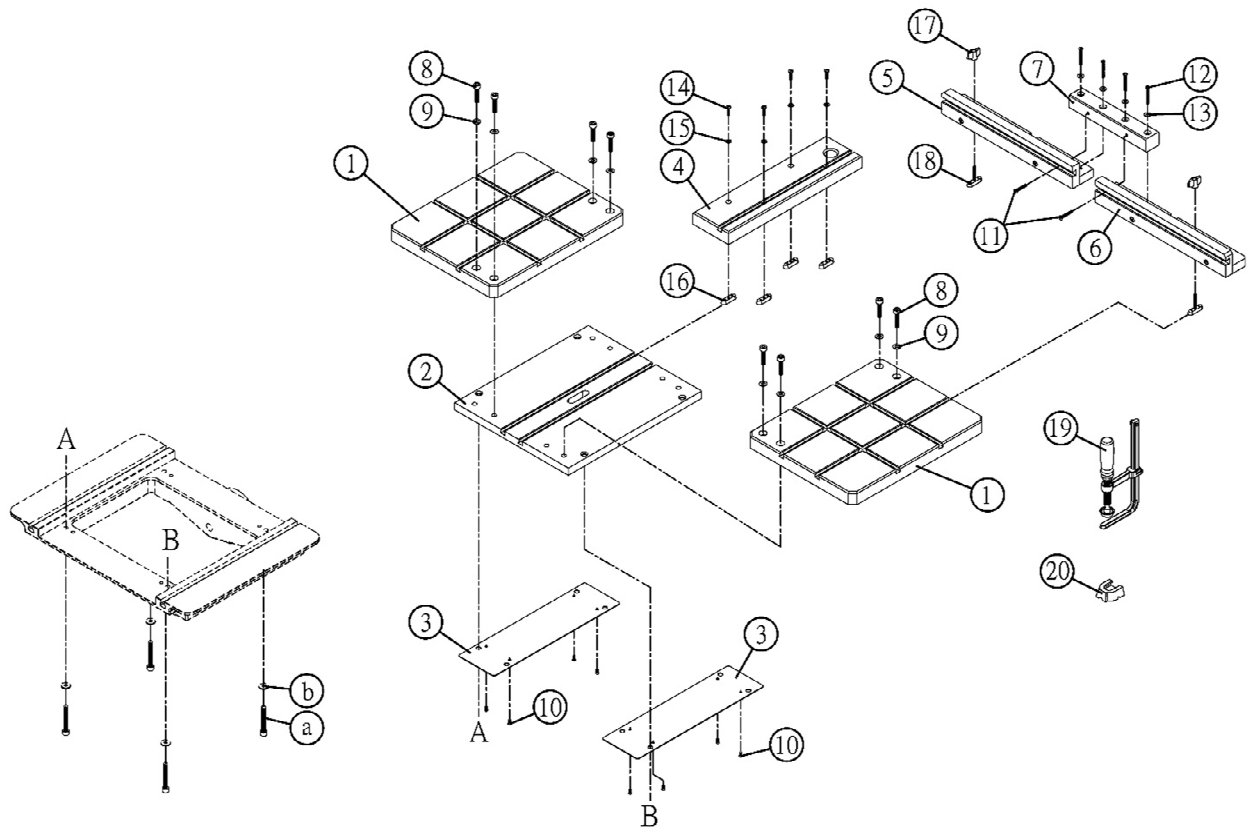
FINISH:

Install clamps into slots as desired. The Sliding Board (#4) can be removed for through-drilling. Use the X-Pads for clamping board edges (see photo below).

Many configurations are possible with the Micro Jig system.



Clamp Table with MICROJIG® – Parts Breakdown



| Index No. | Part No. | Description | Size | Qty. |
|-----------|-----------------|--|-----------------|------|
| | 1792824 | Clamp Table with MICROJIG® (items #1~20) | | 1 |
| 1 | PM2820EVS-901 | Wing Table | | 2 |
| 2 | PM2820EVS-902 | Bottom Board | | 1 |
| 3 | PM2820EVS-903 | Steel Plate | | 2 |
| 4 | PM2820EVS-904 | Sliding Board | | 1 |
| 5 | PM2820EVS-905 | Left Fence | | 1 |
| 6 | PM2820EVS-906 | Right Fence | | 1 |
| 7 | PM2820EVS-907 | Connection Block | | 1 |
| | PM2820EVS-900HP | Hardware Package (items #8~13) | | 1 |
| 8 | | Socket Head Cap Screw | M8-1.25Px30 | 8 |
| 9 | | Flat Washer | M8 | 8 |
| 10 | | Flat Head Machine Screw | 3/16 x 1/2" | 8 |
| 11 | | Flat Head Machine Screw | 3/16 x 1-1/4" | 2 |
| 12 | | Pan Head Machine Screw | 3/16 x 1-1/2" | 4 |
| 13 | | Flat Washer | 3/16" | 4 |
| | 1792827 | MICROJIG Clamp Kit (items #14~20) | | 1 |
| 14 | | Pan Head Screw | 3/16"-24 x 3/4" | 4 |
| 15 | | Flat Washer | 5.2x11x1t | 4 |
| 16 | | Dovetail Nut | | 4 |
| 17 | | Wing Knob | 10#-32 | 6 |
| 18 | | Dovetail Hardware Bolt | 10#-32 x 1-1/2" | 6 |
| 19 | | Clamp | | 2 |
| 20 | | MATCHFIT X-Pad™ | | 2 |

To order parts or reach our service department, call 1-800-274-6848 Monday through Friday, 8:00 a.m. to 5:00 p.m. CST. Having the Model Number and Serial Number of your product available when you call will allow us to serve you quickly and accurately.

* Non-proprietary parts, such as fasteners, can be found at local hardware stores, or may be ordered from Powermatic.

⚠ WARNING: This product can expose you to chemicals including lead which is known to the State of California to cause cancer and birth defects or other reproductive harm. For more information go to <http://www.p65warnings.ca.gov>.

⚠ WARNING: Drilling, sawing, sanding or machining wood products generates wood dust and other substances known to the State of California to cause cancer. Avoid inhaling dust generated from wood products or use a dust mask or other safeguards for personal protection. Wood products emit chemicals known to the State of California to cause birth defects or other reproductive harm. For more information go to <http://www.p65warnings.ca.gov/wood>.



427 New Sanford Road
LaVergne, Tennessee 37086
Phone: 800-274-6848
www.powermatic.com